

Ordering Information

EM 48 2M 32 4 4 V T A - 5 L

EOREX
Logo

EDO/FPM : 40
D-RAMBUS : 41
DDRSDRAM : 42
DDRSGRAM : 43
SGRAM : 46
SDRAM : 48

Density
16M : 16 Mega Bits
8M : 8 Mega Bits
4M : 4 Mega Bits
2M : 2 Mega Bits
1M : 1 Mega Bit

Organization
8 : x8
9 : x9
16 : x16
18 : x18
32 : x32

Refresh
1 : 1K, **8** : 8K
2 : 2K, **6** : 16K
4 : 4K

Bank
2 : 2Bank **6** : 16Bank
4 : 4Bank **3** : 32Bank
8 : 8Bank

Interface
V : 3.3V
R : 2.5V

F: PB free package
Power
 Blank : Standard
L : Low power
I : Industrial

Min Cycle Time (Max Freq.)
-5 : 5ns (200MHz)
-6 : 5ns (167MHz)
-7 : 7ns (143MHz)
-75 : 7.5ns (133MHz)
-8 : 8ns (125MHz)
-10 : 10ns (100MHz)

Revision
A : 1st **B** : 2nd
C : 3rd **D** : 4th
G : for VGA version only

Package
C : CSP **B** : uBGA
T : TSOP **Q** : TQFP
P : PQFP (QFP)
L : LQFP

64Mb(4Banks) Synchronous DRAM**EM482M3244VTA (2Mx32)****Description**

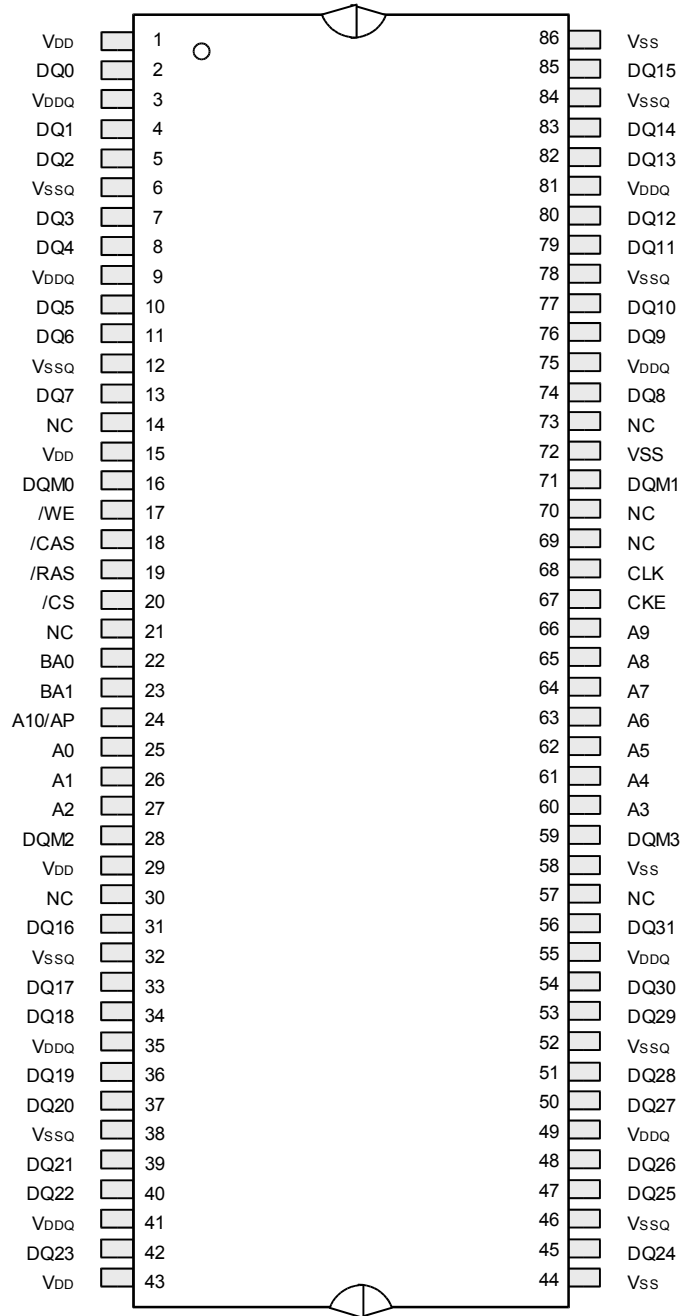
The EM482M3244VTA is Synchronous Dynamic Random Access Memory (SDRAM) organized as 524,288 words x 4 banks x 32 bits. All inputs and outputs are synchronized with the positive edge of the clock . The 64Mb SDRAM uses synchronized pipelined architecture to achieve high speed data transfer rates and is designed to operate in 3.3V low power memory system. It also provides auto refresh with power saving / down mode. All inputs and outputs voltage levels are compatible with LVTTTL .

Features

- Fully synchronous to positive clock edge
- Single 3.3V +/- 0.3V power supply
- LVTTTL compatible with multiplexed address
- Programmable Burst Length (B/ L) - 1,2,4,8 or full page
- Programmable CAS Latency (C/ L) - 2 or 3
- Data Mask (DQM) for Read/Write masking
- Programmable wrap sequential - Sequential (B/ L = 1/2/4/8/full page)
- Interleave (B/ L = 1/2/4/8)
- Burst read with single-bit write operation
- All inputs are sampled at the positive rising edge of the system clock.
- Auto refresh and self refresh
- 4,096 refresh cycles / 64ms

** EOREX reserves the right to change products or specification without notice.*

Pin Assignment (Top View)

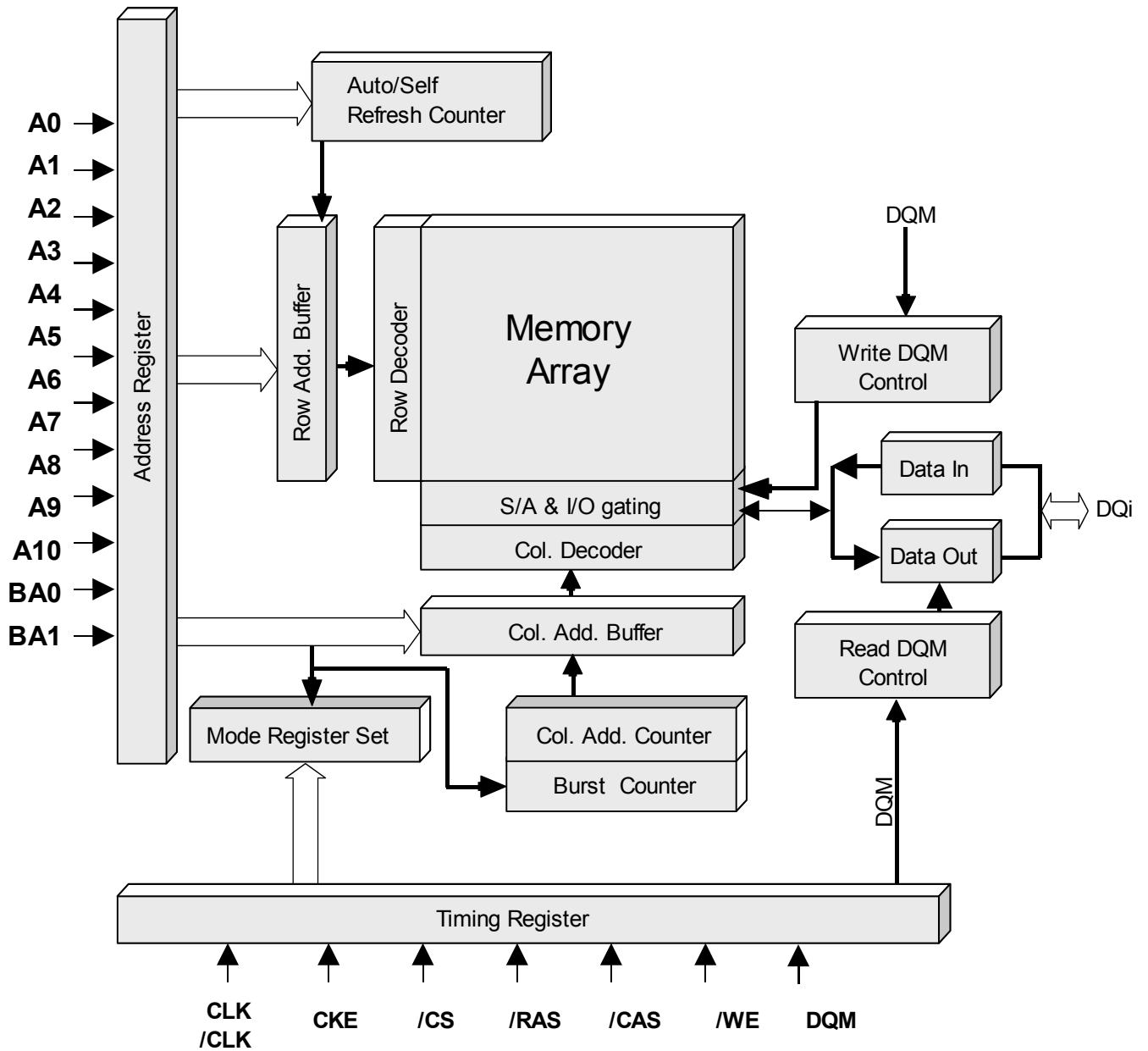


86pin TSOP-II
 (400mil x 875 mil)
 (0.5mm Pin pitch)

Pin Descriptions (Simplified)

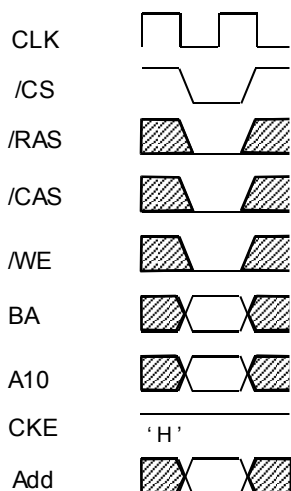
Pin	Name	Pin Function
CLK	System Clock	Master Clock Input(Active on the Positive rising edge)
/CS	Chip select	Selects chip when active
CKE	Clock Enable	Activates the CLK when "H" and deactivates when "L". CKE should be enabled at least one cycle prior to new command. Disable input buffers for power down in standby.
A0 ~ A10	Address	Row address (A0 to A10) is determined by A0 to A10 level at the bank active command cycle CLK rising edge. CA(CA0 to CA7) is determined by A0 to A7 level at the read or write command cycle CLK rising edge. And this column address becomes burst access start address. A10 defines the pre-charge mode. When A10 = High at the pre-charge command cycle, all banks are pre-charged. But when A10 = Low at the pre-charge command cycle, only the bank that is selected by BA is pre-charged.
BA0~BA1	Bank Address	Selects which bank is to be active.
/RAS	Row address strobe	Latches Row Addresses on the positive rising edge of the CLK with /RAS "L". Enables row access & pre-charge.
/CAS	Column address strobe	Latches Column Addresses on the positive rising edge of the CLK with /CAS low. Enables column access.
/WE	Write Enable	Latches Column Addresses on the positive rising edge of the CLK with /CAS low. Enables column access.
DQM0 ~ DQM3	Data input/output Mask	DQM controls I/O buffers.
DQ0 ~ 31	Data input/output	DQ pins have the same function as I/O pins on a conventional DRAM.
VDD/VSS	Power supply/Ground	VDD and VSS are power supply pins for internal circuits.
VDDQ/VSSQ	Power supply/Ground	VDDQ and VSSQ are power supply pins for the output buffers.
NC	No connection	This pin is recommended to be left No Connection on the device.

Block Diagram



Commands

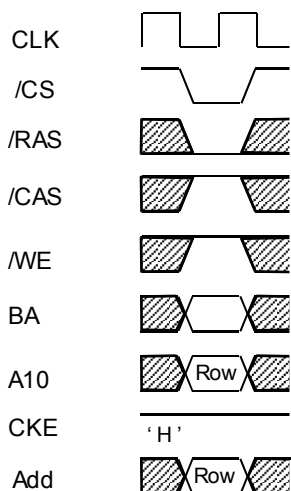
Mode register set command (/CS, /RAS, /CAS, /WE = Low)



The EM482M3244VTA have a mode register that defines how the device operates. In this command, A0 through BA are the data input pins. After power on, the mode register set command must be executed to initialize the device. The mode register can be set only when all banks are in idle state. The EO482M3244VTA, cannot accept any other commands, only during 2CLK can following this command.

(Figure. 1 Mode register set command)

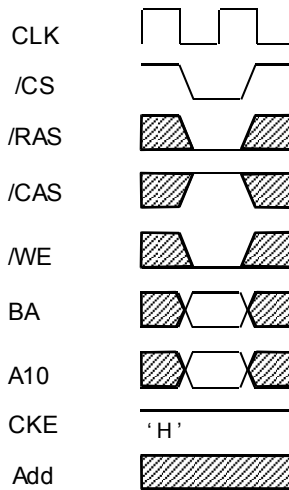
Active command (/CS, /RAS = Low , /CAS, /WE = High)



The EM482M3244VTA have 4 banks, each with 2,048 rows. This command activates the bank selected by BA and a row address selected by A0 through A10. This command corresponds to a conventional DRAM's /RAS falling.

(Figure. 2 Row address strobe and bank activate command)

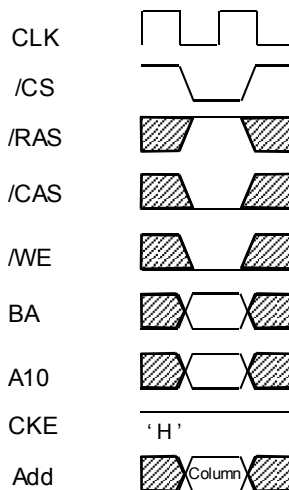
Precharge command (/CS, /RAS, /WE = Low , / CAS = High)



This command begins precharge operation of the bank selected by. When A10 is high,all banks are precharged, regardless of. When BA is low,only the bank selected by BA is precharged.

(Figure. 3 Precharged command)

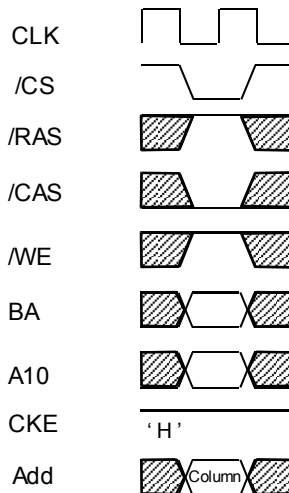
Write command (/CS, /CAS, /WE = Low, /RAS = High)



If the mode register is in the burst write mode, this command sets the burst start address given by the column address to begin the burst write operation. The first write data in burst mode can input with this command with subsequent data on following clicks.

(Figure. 4 Column address and write command)

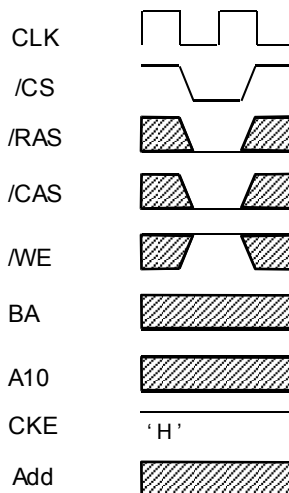
Read command (/CS, /CAS = Low , / RAS, /WE = High)



Read data is available after /CAS latency requirements have been met. This command sets the burst start address given by the column.

(Figure. 5 Column address and read command)

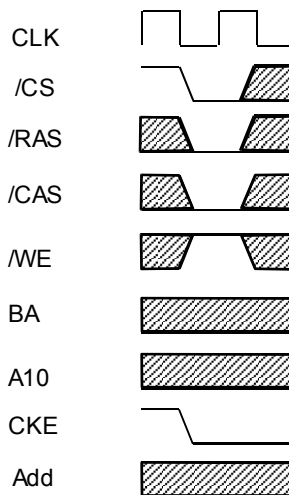
Auto refresh command (/CS, /RAS, /CAS = Low, /WE, CKE = High)



This command is a request to begin the CBR refresh operation. The refresh address is generated internally. Before executing CBR refresh, all banks must be precharged. After this cycle, all banks will be in the idle (Precharged) state and ready for a row activate command. During tRC period (from refresh command to refresh or activate command), the EM482M3244VTA cannot accept any other command.

(Figure. 6 Auto refresh command)

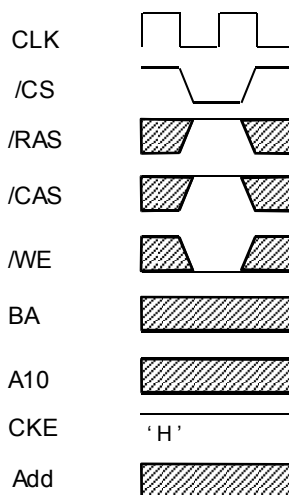
Self refresh entry command (/CS, /RAS , /CAS, CKE = Low , /WE = High)



After the command execution, self refresh operation continues while CKE remains low. When CKE goes high, the memory exits the self refresh mode. During self refresh mode, refresh interval and refresh operation are performed internally, so there before is no need for external control. Before executing self refresh, both banks must be precharged.

(Figure. 7 Self refresh entry command)

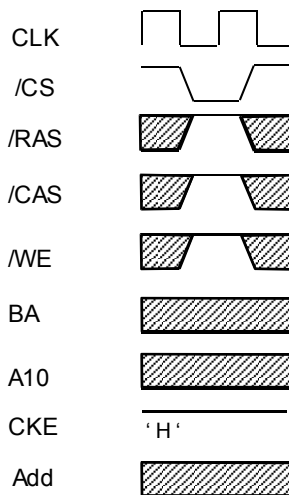
Burst stop command (/CS, /WE = Low, /RAS, /CAS = High)



This command can stop the current burst operation.

(Figure. 8 Burst stop command in full page mode)

No operation (/CS = Low, /RAS , /CAS, /WE = High)



This command is not execution command so there is no operations begin or terminate by this command.

(Figure. 9 No operation)

Initialization

The synchronous DRAM is initialized in the power-on sequence according to the following:

1. To stabilize internal circuits, when power is applied, a 100us or longer pause must precede any signal toggling.
2. After the pause, both banks must be precharged using the precharged command (The precharge all banks command is convenient).
3. Once the precharge is completed and the minimum tRP is satisfied, the mode register can be programmed.
4. Two or more Arto refresh must be performed.

- Remarks:**
1. The sequence of Mode register programming and Refresh above may be transposed.
 2. CKE and DQM must be held high until the precharge command is issued to ensure data-bus Hi-Z.

Programming the Mode Register

The mode register is programmed by the Mode register set command using address bits BA through A0 as data inputs. The register retains data until it is reprogrammed or the device loses power.

Options	/CAS Latency	Wrap type	Burst Length
BA through A7	A6 through A4	A3	A2 through A0

Following mode register programming, no command can be issued before at least 2 CLK elapsed.

/CAS Latency

/CAS Latency is the most critical of the parameters begin set. It tells the device how many clocks must elapse before the data will be available.

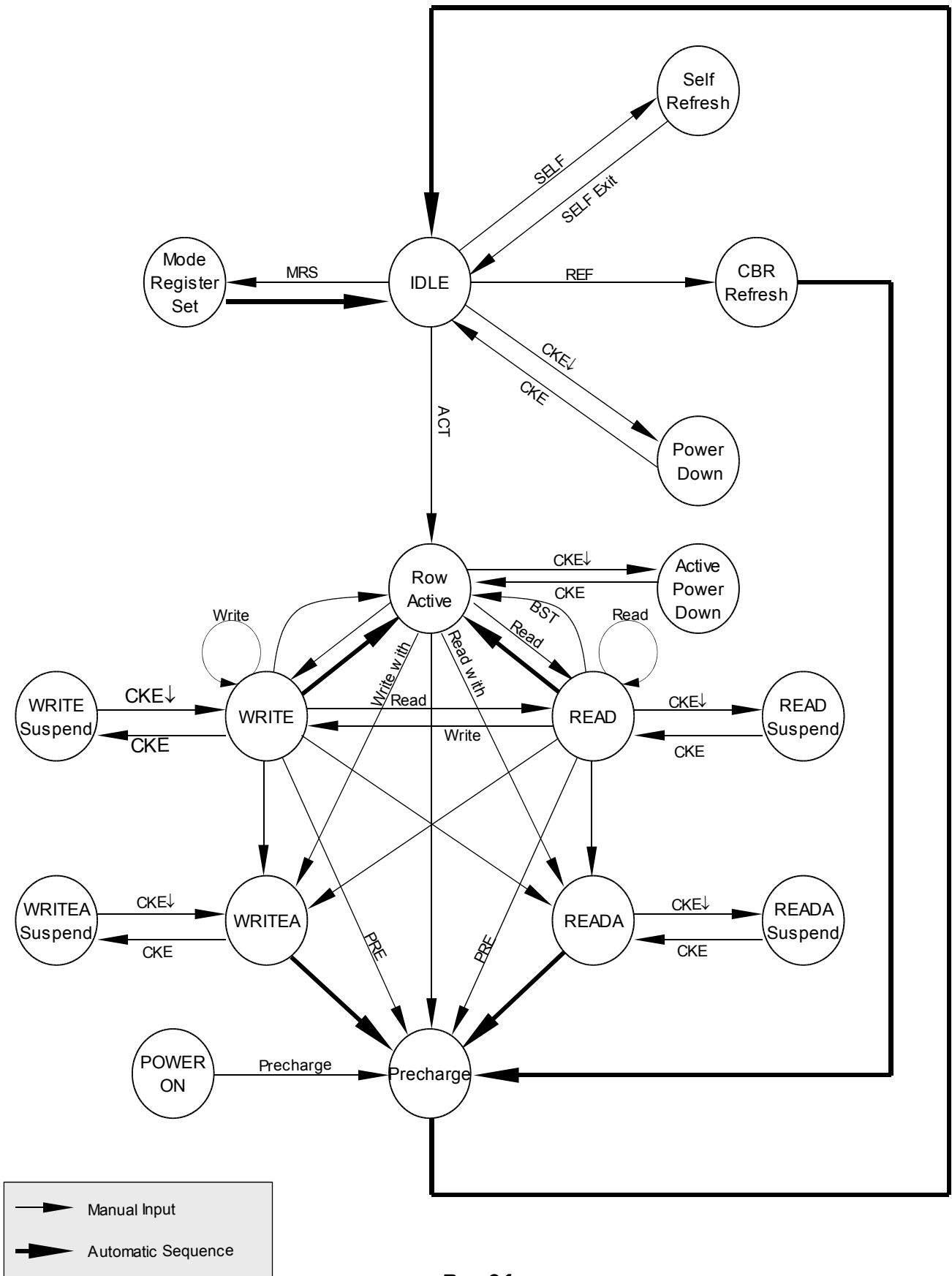
Burst Length

Burst length is the number of the words that will be output or input in a write cycle. After a read burst is completed, the output bus will become Hi-Z. The burst length is programmable as 1,2,4,8 or full page.

Wrap Type (Burst Sequence)

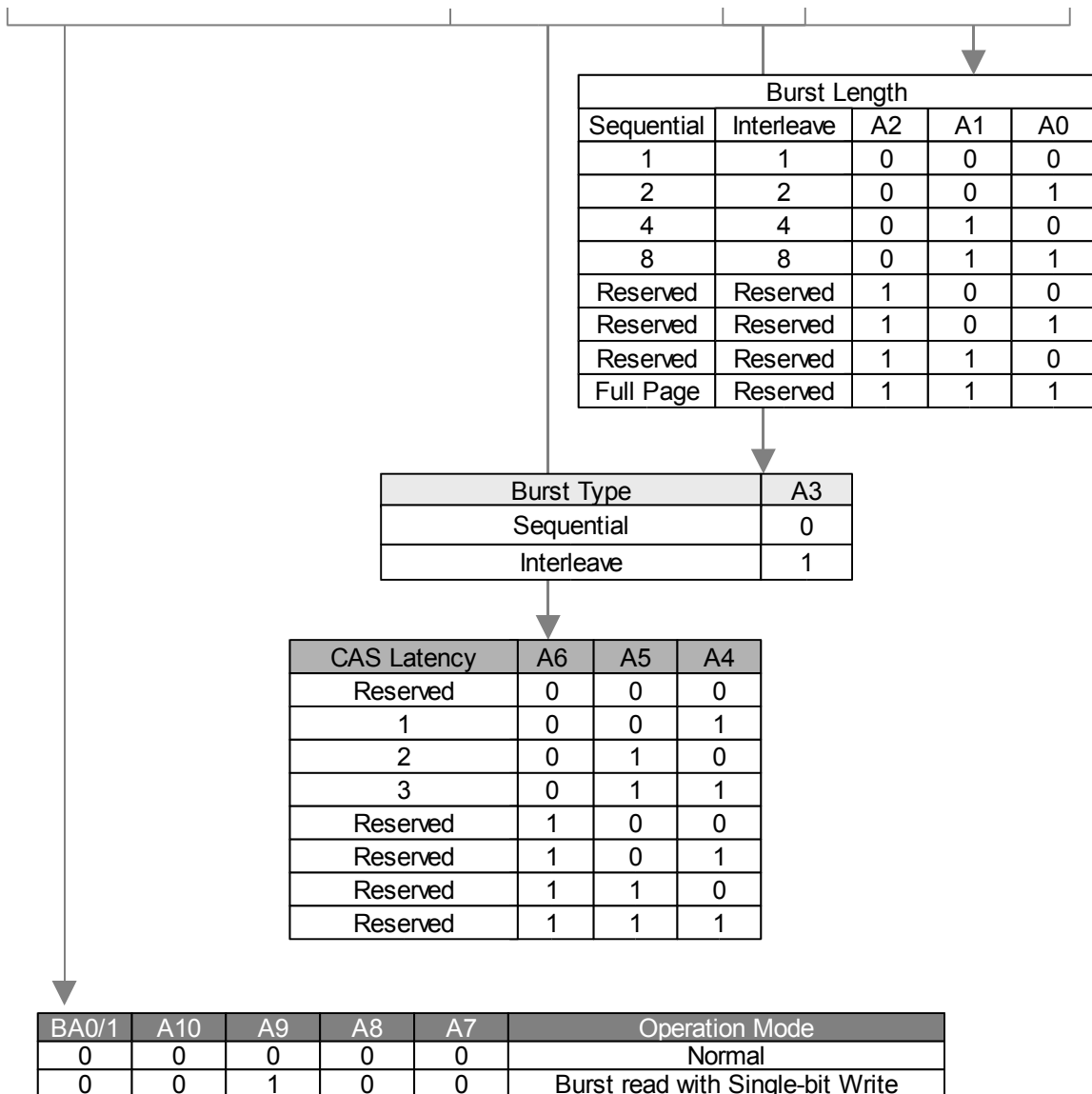
The wrap type specifies the order in which the burst data will be addressed. This order is programmable as either Sequence or Interleave. The method chosen will depend on the type of CPU in the system. Some microprocessor cache systems are optimized for sequential addressing and others for interleaved.

Simplified State Diagram



Address Input for Mode Register Set

BA0/1	A10	A9	A8	A7	A6	A5	A4	A3	A2	A1	A0
Operation Mode					CAS Latency			BT	Burst Length		



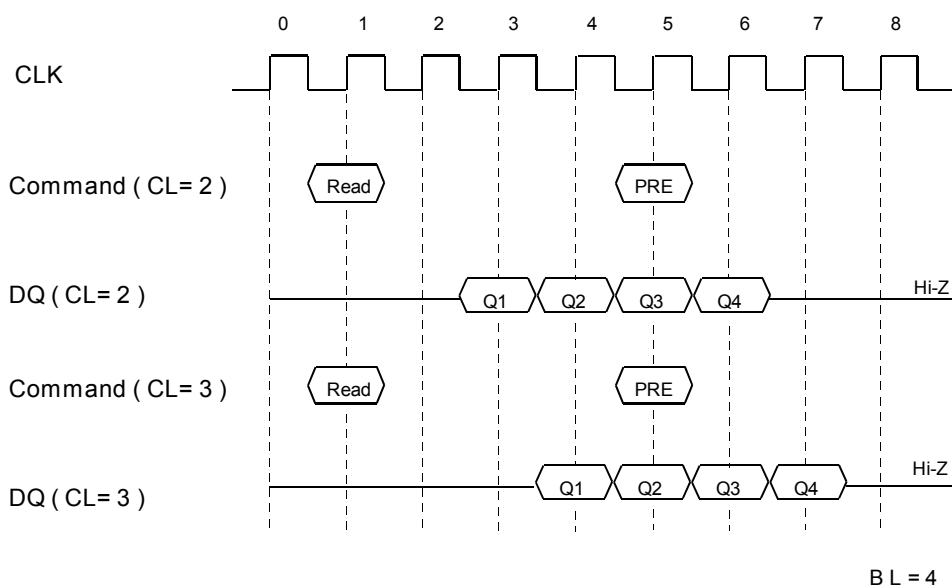
Burst Type (A3)

Burst Length	A2 A1 A0	Sequential Addressing	Interleave Addressing
2	XX0	0 1	0 1
	XX1	1 0	1 0
4	X00	0 1 2 3	0 1 2 3
	X01	1 2 3 0	1 0 3 2
	X10	2 3 0 1	2 3 0 1
	X11	3 0 1 2	3 2 1 0
8	000	0 1 2 3 4 5 6 7	0 1 2 3 4 5 6 7
	001	1 2 3 4 5 6 7 0	1 0 3 2 5 4 7 6
	010	2 3 4 5 6 7 0 1	2 3 0 1 6 7 4 5
	011	3 4 5 6 7 0 1 2	3 2 1 0 7 6 5 4
	100	4 5 6 7 0 1 2 3	4 5 6 7 0 1 2 3
	101	5 6 7 0 1 2 3 4	5 4 7 6 1 0 3 2
	110	6 7 0 1 2 3 4 5	6 7 4 5 2 3 0 1
	111	7 0 1 2 3 4 5 6	7 6 5 4 3 2 1 0
Full Page *	n n n	Cn Cn+1 Cn+2	-

* Page length is a function of I/O organization and column addressing
 x32 (CA0 ~ CA7) : Full page = 256 bits

Precharge

The precharge command can be issued anytime after tRAS (min.) is satisfied. Soon After the precharge command is issued, precharge operation performed and the synchronous DRAM enters the idle state after tRP is satisfied. The parameter tRP is the time required to perform the precharge. The earliest timing in a read cycle that a precharege command can be issued without losing any data in the burst is as follows. It is depends on the /CAS latency and clock cycle time.



In order to write all data to the memory cell correctly, the asynchronous parameter tDPL must be satisfied. The tDPL (min.) specification defines the earliest time that a precharge command can be issued. Minimum number of clocks is calculated by dividing tDPL(min.) with clock cycle time. In a word, the precharge command can be issued relative to reference clock that indicates the last data word is valid. The minus in the following table means clocks before the reference and the plus means time after the reference.

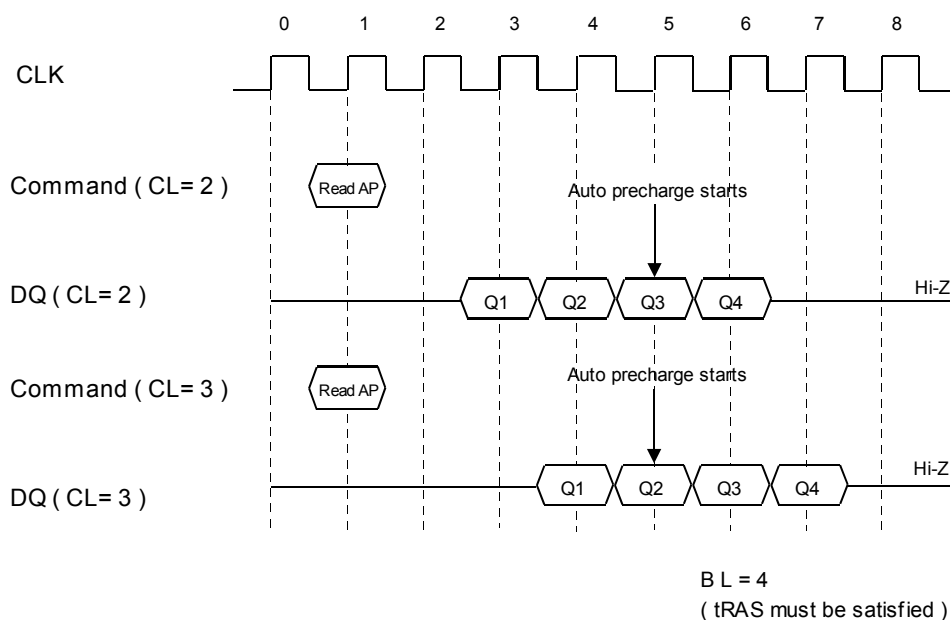
/CAS latency	Read	Write
2	-1	+ tDPL(min.)
3	-2	+ tDPL (min.)

Auto precharge

During a read or write command cycle, A10 controls whether auto precharge is selected. A10 high in the Read or Write command (Read with Auto precharge command or Write with Auto precharge command), auto precharge is selected and begins automatically. The tRAS must be satisfied with a read with auto precharge or a write with auto precharge operation. In addition, the next activate command to the bank being precharged cannot be executed until the precharge cycle ends. In read cycle, once auto precharge has started , an activate command to the bank can be issued after tRP has been satisfied

Read with Auto Precharge

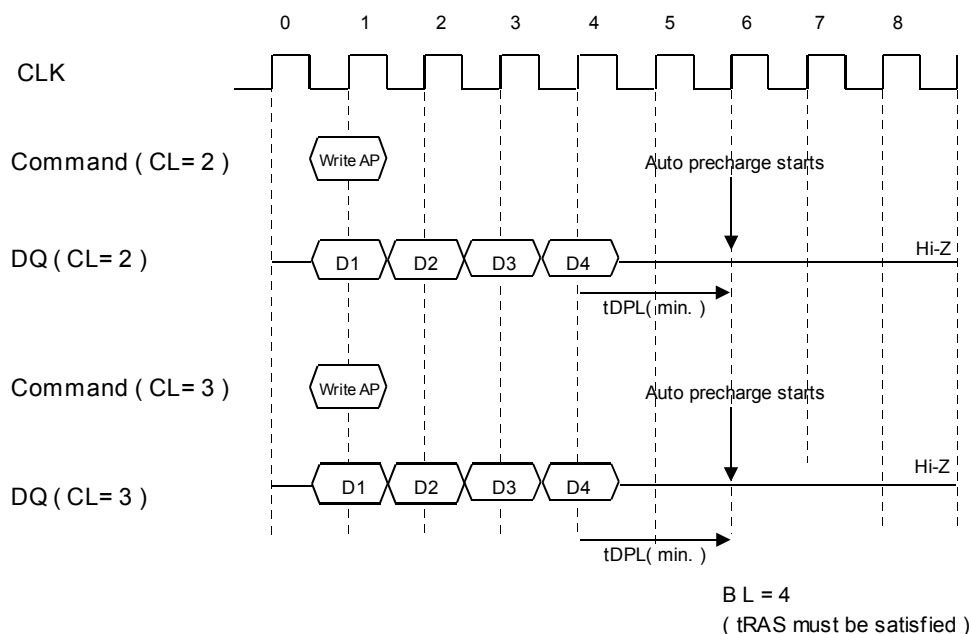
During a read cycle, the auto precharge begins same as (/CAS latency of 2) or one clock earlier (/CAS latency of 3) the last data word output.



Remarks: Read AP means Read with auto precharge

Write with Auto Precharge

During write cycle, the auto precharge starts at the timing that is equal to the value of the tDPL(min.) after the last dataword input to the device.



Remarks: Write AP means Write with auto precharge

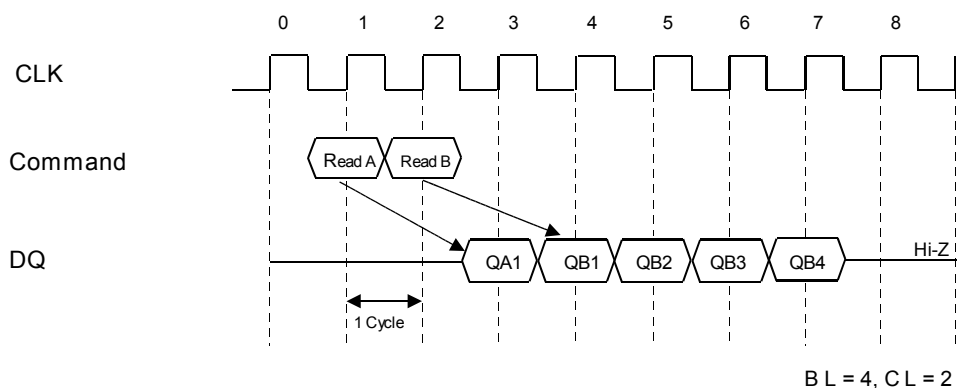
In summary, the auto precharge begins relative to a reference clock that indicates the last data word is valid. In the following table minus means clocks before the reference ,plus means after the reference.

/CAS latency	Read	Write
2	-1	+ tDPL(min.)
3	-2	+ tDPL (min.)

Read / Write command interval

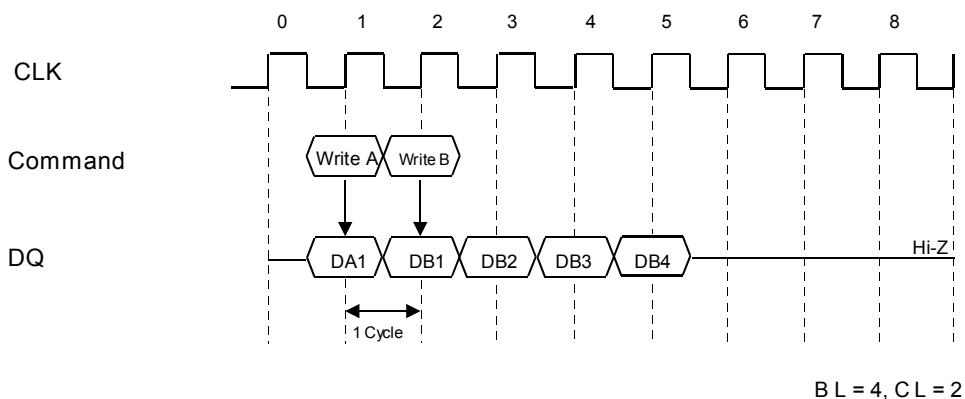
Read to read command interval

During a read cycle, when new Read command is issued, it will be effective after / CAS latency, even if the previous read operation does not completed. Read will be interrupted by another Read. The interval between the commands is 1 cycle minimum. Each Read command can be issued in every clock without any restriction.



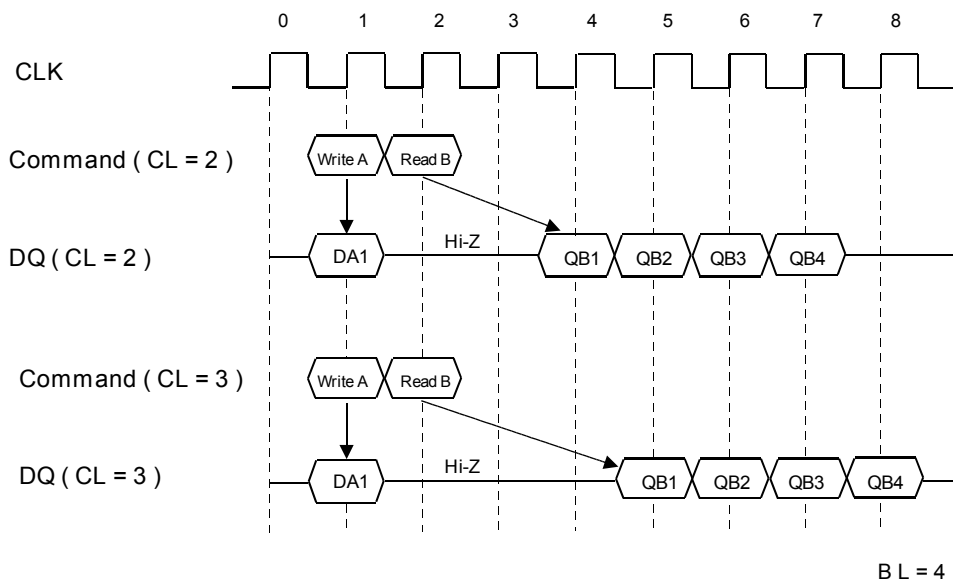
Write to write command interval

During a write cycle, when new write command is issued, the previous burst will terminate and the new burst will begin with a new write command. Write will be interrupted by another Write. The interval between the commands is minimum 1 cycle. Each write command can be issued in every clock without any restriction.



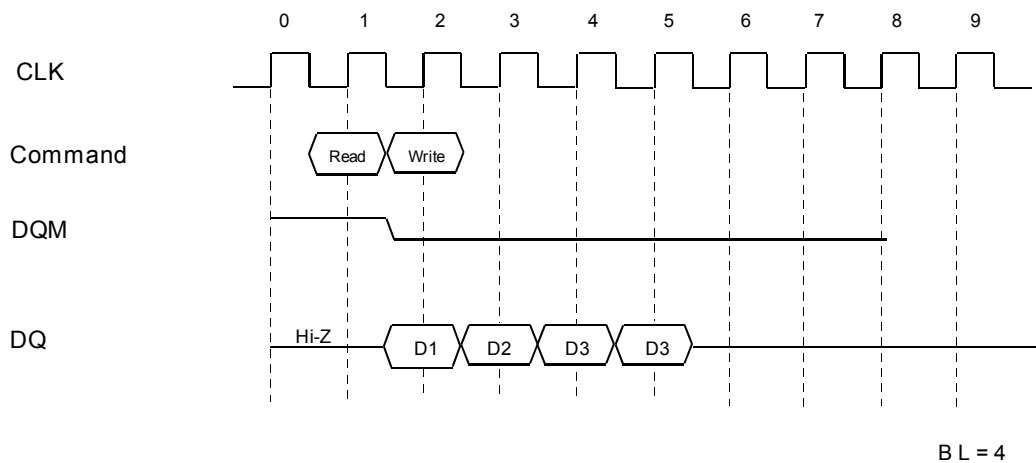
Write to read command interval

Write and Read command interval is also 1 cycle. Only the write data before read command will be written. The data bus must be Hi-Z at least one cycle prior to the first DOUT.

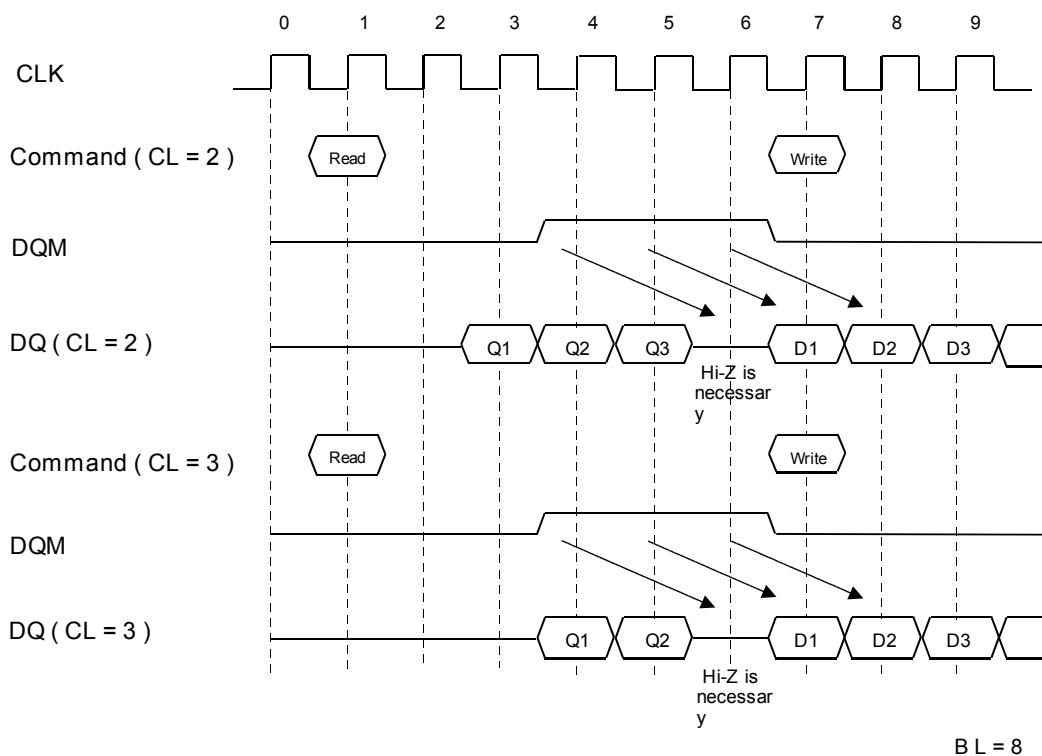


Read to write command interval

During a read cycle, Read can be interrupt by Write. The read and write command interval is 1 cycle minimum. There's a restriction to avoid data conflict. The data bus must be Hi-Z using DQM before write.



Read can be interrupted by Write. DQM must be high at least 3 clicks prior to the write command.

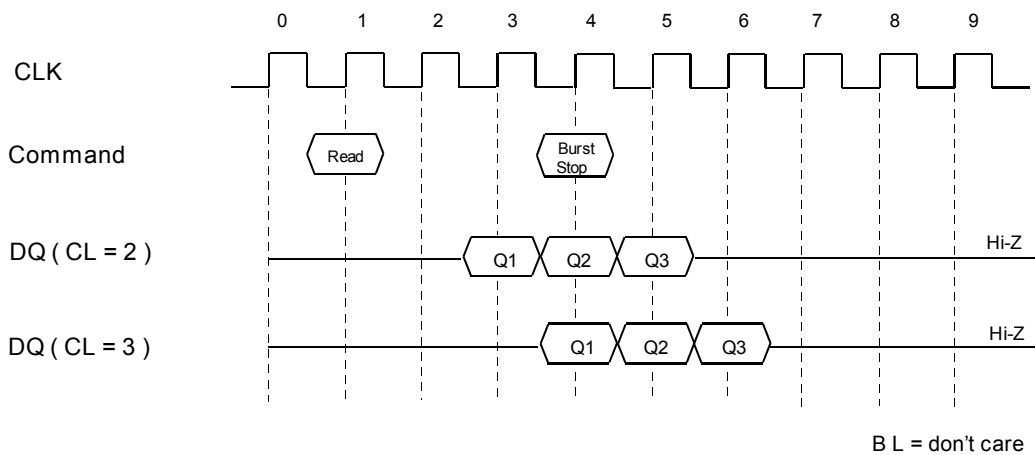


Burst terminate

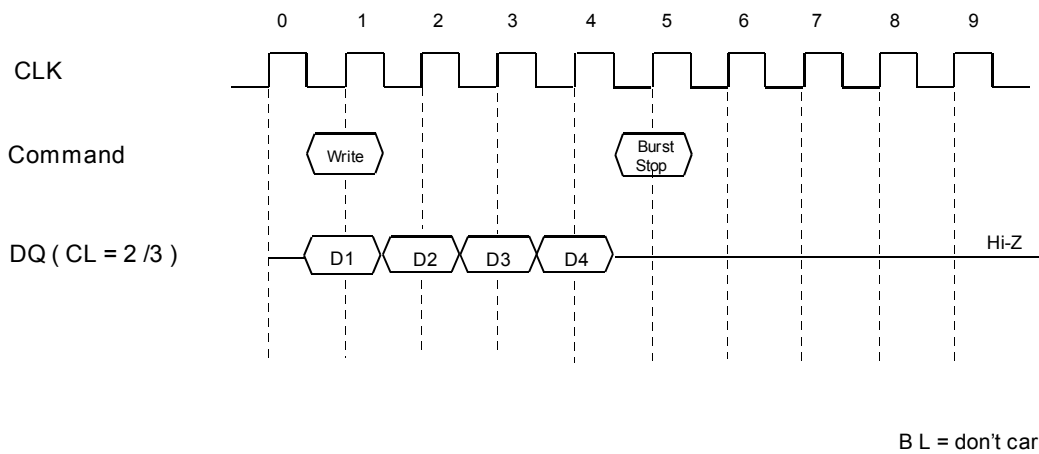
There are two ways to terminate a burst operation other than using a Read or a Write command. One is the burst stop command and the other is the precharge command.

Burst stop command

During a read cycle, when the burst stop command is issued, the burst read are terminated and the data bus goes to Hi-Z after the /CAS latency from the burst stop command.



During a write cycle, when the burst stop command is issued, the burst write data are terminated and the data bus goes to Hi-Z at the same clock with the burst stop command.

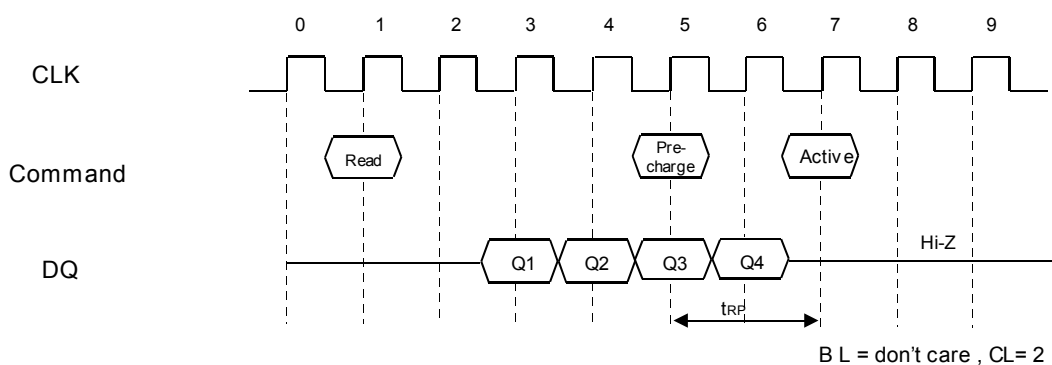


Precharge Termination

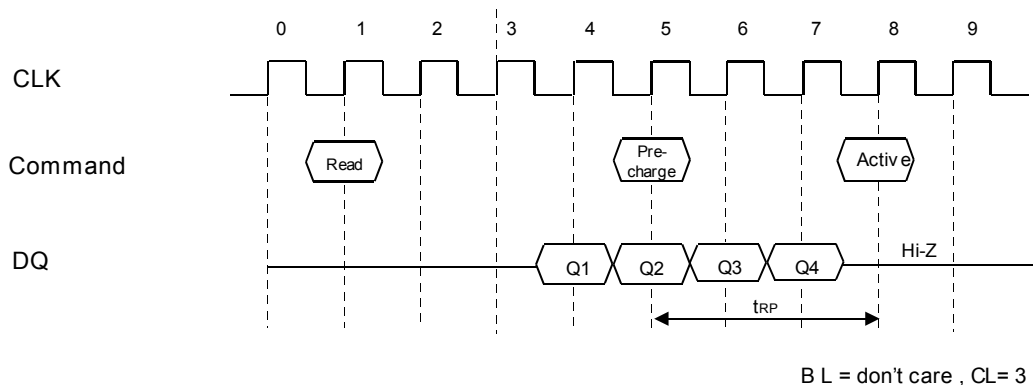
Precharge Termination in READ Cycle

During a read cycle, the burst read operation is terminated by a precharge command. When the precharge command is issued, the burst read operation is terminated and precharge starts. The same banks can be activated again after t_{RP} from the precharge command. To issue a precharge command, t_{RAS} must be satisfied.

When $/CAS$ Latency is 2, the read data will remain valid until two clocks after the precharge command.



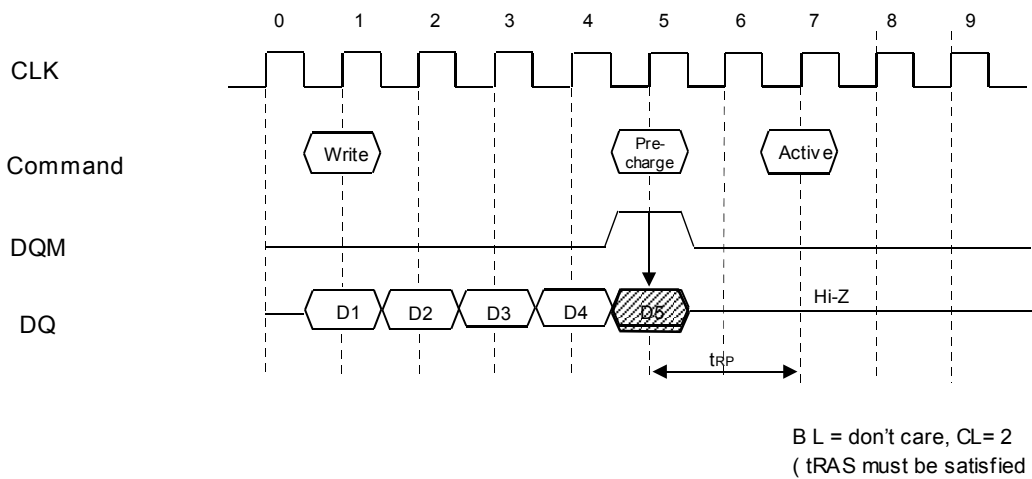
When $/CAS$ Latency is 3, the read data will remain valid until two clocks after the precharge command.



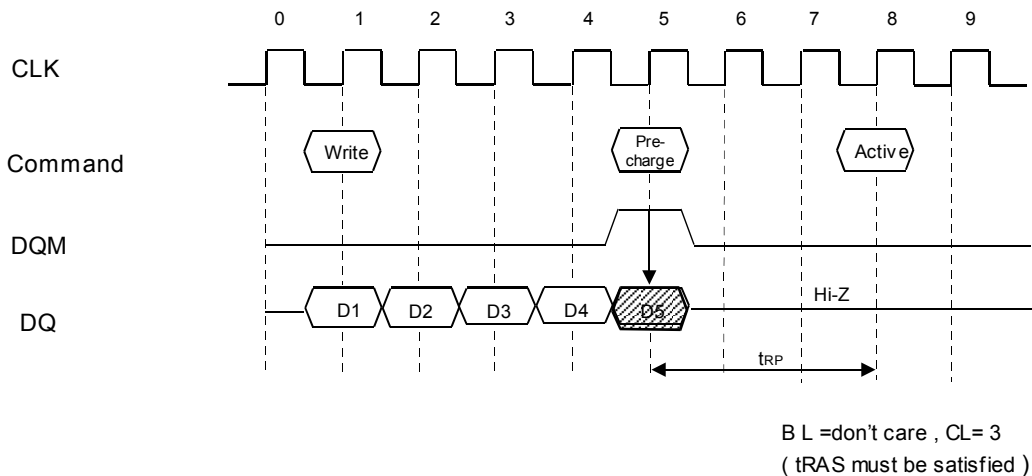
Precharge Termination in Write Cycle

During a write cycle, the burst write operation is terminated by a precharge command. When the precharge command is issued, the burst write operation is terminated and precharge starts. The same banks can be activated again after tRP from the precharge command. To issue a precharge command, tRAS must be satisfied.

When /CAS Latency is 2, the write data written prior to the precharge command will be correctly stored. However, invalid data may be written at the same clock as the precharge command. In order to avoid this situation, DQM must be high at the same clock as the precharge command. This will mask the invalid data.



When /CAS Latency is 3, the write data written prior to the precharge command will be correctly stored. However, invalid data may be written at the same clock as the precharge command. In order to avoid this situation, DQM must be high at the same clock as the precharge command. This will mask the invalid data.



Truth Table

1. Command Truth Table (EM482M3244VTA)

Command	Symbol	CKE		/CS	/RAS	/CAS	/WE	BA	A10	A9~A0
		n-1	n							
Ignore Command	DESL	H	X	H	X	X	X	X	X	X
No operation	NOP	H	X	L	H	H	H	X	X	X
Burst stop	BSTH	H	X	L	H	H	L	X	X	X
Read	READ	H	X	L	H	L	H	V	L	V
Read with auto pre-charge	READA	H	X	L	H	L	H	V	H	V
Write	WRIT	H	X	L	H	L	L	V	L	V
Write with auto pre-charge	WRITA	H	X	L	L	H	H	V	H	V
Bank activate	ACT	H	X	L	L	H	H	V	V	V
Pre-charge select bank	PRE	H	X	L	L	H	L	V	L	X
Pre-charge all banks	PALL	H	X	L	L	H	L	X	H	X
Mode register set	MRS	H	X	L	L	L	L	L	L	V

Note : H = High level, L = Low level, X = High or Low level (Don't care), V = Valid data input

2. DQM Truth Table

Command	Symbol	CKE		/CS
		n-1	n	
Data write / output enable	ENB	H	X	H
Data mask / output disable	MASK	H	X	L
Upper byte write enable / output enable	BSTH	H	X	L
Read	READ	H	X	L
Read with auto pre-charge	READA	H	X	L
Write	WRIT	H	X	L
Write with auto pre-charge	WRITA	H	X	L
Bank activate	ACT	H	X	L
Pre-charge select bank	PRE	H	X	L
Pre-charge all banks	PALL	H	X	L
Mode register set	MRS	H	X	L

Note : H = High level, L = Low level, X = High or Low level (Don't care), V = Valid data input

3. CKE Truth Table

Command	Command	Symbol	CKE		/CS	/RAS	/CAS	/WE	Addr.
			n-1	n					
Activating	Clock suspend mode entry		H	L	X	X	X	X	X
Any	Clock suspend mode		L	L	X	X	X	X	X
Clock suspend	Clock suspend mode exit		L	H	X	X	X	X	X
Idle	CBR refresh command	REF	H	H	L	L	L	H	X
Idle	Self refresh entry	SELF	H	L	L	L	L	H	X
			L	H	L	H	H	H	X
Self refresh	Self refresh exit		L	H	L	H	H	H	X
Idle	Power down entry		H	L	X	X	X	X	X
Power down	Power down exit		L	H	X	X	X	X	X

Remark H = High level, L = Low level, X = High or Low level (Don't care)

4. Operative Command Table

Current state	/CS	/R	/C	/W	Addr.	Command	Action	Notes
Idle	H	X	X	X	X	DESL	Nop or power down	2
	L	H	H	X	X	NOP or BST	Nop or power down	2
	L	H	L	H	BA/CA/A10	READ/READA	ILLEGAL	3
	L	H	L	L	BA/CA/A10	WRIT/WRITA	ILLEGAL	3
	L	L	H	H	BA/RA	ACT	Row activating	
	L	L	H	L	BA, A10	PRE/PALL	Nop	
	L	L	L	H	X	REF/SELF	Refresh or self refresh	4
	L	L	L	L	Op-Code	MRS	Mode register accessing	
Row active	H	X	X	X	X	DESL	Nop	
	L	H	H	X	X	NOP or BST	Nop	
	L	H	L	H	BA/CA/A10	READ/READA	Begin read : Determine AP	5
	L	H	L	L	BA/CA/A10	WRIT/WRITA	Begin write : Determine AP	5
	L	L	H	H	BA/RA	ACT	ILLEGAL	3
	L	L	H	L	BA, A10	PRE/PALL	Precharge	6
	L	L	L	H	X	REF/SELF	ILLEGAL	4
	L	L	L	L	Op-Code	MRS	ILLEGAL	
Read	H	X	X	X	X	DESL	Continue burst to end → Row active	
	L	H	H	H	X	NOP	Continue burst to end → Row active	
	L	H	H	L	X	BST	Burst stop → Row active	
	L	H	L	H	BA/CA/A10	READ/READA	Terminate burst, new read : Determine AP	7
	L	L	L	L	BA/CA/A10	WRIT/WRITA	Terminate burst, start write : Determine AP	7, 8
	L	L	H	H	BA/RA	ACT	ILLEGAL	3
	L	L	H	L	BA/A10	PRE/PALL	Terminate burst, pre-charging	4
	L	L	L	H	X	REF/SELF	ILLEGAL	
Write	L	L	L	L	Op-Code	MRS	ILLEGAL	
	H	X	X	X	X	DESL	Continue burst to end → Write recovering	
	L	H	H	H	X	NOP	Continue burst to end → Write recovering	
	L	H	H	L	X	BST	Burst stop → Row active	
	L	H	L	H	BA/CA/A10	READ/READA	Terminate burst, start read : Determine AP 7, 8	7, 8
	L	L	L	L	BA/CA/A10	WRIT/WRITA	Terminate burst, new write : Determine AP 7	7
	L	L	H	H	BA/RA	ACT	ILLEGAL	3
	L	L	H	L	BA/A10	PRE/PALL	Terminate burst, pre-charging	9
L	L	L	H	X	REF/SELF	ILLEGAL		
L	L	L	L	Op-Code	MRS	ILLEGAL		

Remark H = High level, L = Low level, X = High or Low level (Don't care)

Current state	/CS	/R	/C	/W	Addr.	Command	Action	Notes
Read with AP	H	X	X	X	X	DESL	Continue burst to end → Precharging	
	L	H	H	H	X	NOP	Continue burst to end → Precharging	
	L	H	H	L	X	BST	ILLEGAL	
	L	H	L	H	BA/CA/A10	READ/READA	ILLEGAL	3
	L	H	L	L	BA/CA/A10	WRIT/WRITA	ILLEGAL	3
	L	L	H	H	BA/RA	ACT	ILLEGAL	3
	L	L	H	L	BA, A10	PRE/PALL	ILLEGAL	3
	L	L	L	H	X	REF/SELF	ILLEGAL	
	L	L	L	L	Op-Code	MRS	ILLEGAL	
Write with AP	H	X	X	X	X	DESL	burst to end → Write recovering with auto precharge	
	L	H	H	H	X	NOP	Continue burst to end → Write recovering with auto precharge	
	L	H	H	L	X	BST	ILLEGAL	
	L	H	L	H	BA/CA/A10	READ/READA	ILLEGAL	3
	L	H	L	L	BA/CA/A10	WRIT/WRITA	ILLEGAL	3
	L	L	H	H	BA/RA	ACT	ILLEGAL	3
	L	L	H	L	BA, A10	PRE/PALL	ILLEGAL	3
	L	L	L	H	X	REF/SELF	ILLEGAL	
	L	L	L	L	Op-Code	MRS	ILLEGAL	
Pre charging	H	X	X	X	X	DESL	Nop → Enter idle after trp	
	L	H	H	H	X	NOP	Nop → Enter idle after trp	
	L	H	H	L	X	BST	ILLEGAL	
	L	H	L	H	BA/CA/A10	READ/READA	ILLEGAL	3
	L	H	L	L	BA/CA/A10	WRIT/WRITA	ILLEGAL	3
	L	L	H	H	BA/RA	ACT	ILLEGAL	3
	L	L	H	L	BA, A10	PRE/PALL	Nop → Enter idle after trp	
	L	L	L	H	X	REF/SELF	ILLEGAL	
	L	L	L	L	Op-Code	MRS	ILLEGAL	
Row activating	H	X	X	X	X	DESL	Nop → Enter idle after trcd	
	L	H	H	H	X	NOP	Nop → Enter idle after trcd	
	L	H	H	L	X	BST	ILLEGAL	
	L	H	L	H	BA/CA/A10	READ/READA	ILLEGAL	3
	L	H	L	L	BA/CA/A10	WRIT/WRITA	ILLEGAL	3
	L	L	H	H	BA/RA	ACT	ILLEGAL	3,10
	L	L	H	L	BA, A10	PRE/PALL	ILLEGAL	3
	L	L	L	H	X	REF/SELF	ILLEGAL	
	L	L	L	L	Op-Code	MRS	ILLEGAL	

Remark H = High level, L = Low level, X = High or Low level (Don't care), AP = Auto Precharge

Current state	/CS	/R	/C	/W	Addr.	Command	Action	Notes
Write recovering	H	X	X	X	X	DESL	Nop → Enter row active after tDPL	
	L	H	H	H	X	NOP	Nop → Enter row active after tDPL	
	L	H	H	L	X	BST	Nop → Enter row active after tDPL	
	L	H	L	H	BA/CA/A10	READ/READA	Start read, Determine AP	
	L	H	L	L	BA/CA/A10	WRIT/WRITA	New write, Determine AP	8
	L	L	H	H	BA/RA	ACT	ILLEGAL	3
	L	L	H	L	BA, A10	PRE/PALL	ILLEGAL	3
	L	L	L	H	X	REF/SELF	ILLEGAL	
	L	L	L	L	Op-Code	MRS	ILLEGAL	
Write recovering with AP	H	X	X	X	X	DESL	Nop → Enter precharge after tDPL	
	L	H	H	H	X	NOP	Nop → Enter precharge after tDPL	
	L	H	H	L	X	BST	Nop → Enter precharge after tDPL	
	L	H	L	H	BA/CA/A10	READ/READA	ILLEGAL	3,8
	L	H	L	L	BA/CA/A10	WRIT/WRITA	ILLEGAL	3
	L	L	H	H	BA/RA	ACT	ILLEGAL	3
	L	L	H	L	BA, A10	PRE/PALL	ILLEGAL	
	L	L	L	H	X	REF/SELF	ILLEGAL	
	L	L	L	L	Op-Code	MRS	ILLEGAL	
Refreshing	H	X	X	X	X	DESL	Nop → Enter idle after trc	
	L	H	H	X	X	NOP/ BST	Nop → Enter idle after trc	
	L	H	L	X	X	READ/WRIT	ILLEGAL	
	L	L	H	X	X	ACT/PRE/PALL	ILLEGAL	
	L	L	L	X	X	REF/SELF/MRS	ILLEGAL	
Mode Register Accessing	H	X	X	X	X	DESL	Nop	
	L	H	H	H	X	NOP	Nop	
	L	H	H	L	X	BST	ILLEGAL	
	L	H	L	X	X	READ/WRIT	ILLEGAL	
	L	L	X	X	X	ACT/PRE/PALL/ REF/SELF/MRS	ILLEGAL	

Remark H = High level, L = Low level, X = High or Low level (Don't care), AP = Auto Precharge

- Notes**
1. All entries assume that CKE was active (High level) during the preceding clock cycle.
 2. If all banks are idle, and CKE is inactive (Low level), SDRAM will enter Power down mode.
All input buffers except CKE will be disabled.
 3. Illegal to bank in specified states;
→ Function may be legal in the bank indicated by Bank Address (BA0/1), depending on the state of that bank.
 4. If all banks are idle, and CKE is inactive (Low level), SDRAM will enter Self refresh mode.
All input buffers except CKE will be disabled.
 5. Illegal if trCD is not satisfied.
 6. Illegal if trAS is not satisfied.
 7. Must satisfy burst interrupt condition.
 8. Must satisfy bus contention, bus turn around, and/or write recovery requirements.
 9. Must mask preceding data which don't satisfy tDPL.
 10. Illegal if trRD is not satisfied.

5. Command Truth Table for CKE

Current state	CKE		/CS	/R	/C	/W	Addr.	Action	Notes
	n-1	n							
Self refresh	H	X	X	X	X	X	X	INVALID, CLK (n – 1) would exit self refresh	
	L	H	H	X	X	X	X	Self refresh recovery	
	L	H	L	H	H	X	X	Self refresh recovery	
	L	H	L	H	L	X	X	ILLEGAL	
	L	H	L	L	X	X	X	ILLEGAL	
	L	L	X	X	X	X	X	Maintain self refresh	
Self refresh recovery	H	H	H	X	X	X	X	Idle after trc	
	H	H	L	H	H	X	X	Idle after trc	
	H	H	L	H	L	X	X	ILLEGAL	
	H	H	L	L	X	X	X	ILLEGAL	
	H	L	H	X	X	X	X	ILLEGAL	
	H	L	L	H	H	X	X	ILLEGAL	
	H	L	L	H	L	X	X	ILLEGAL	
Power down	H	X	X	X	X	X	X	INVALID, CLK(n-1) would exit power down	
	L	H	X	X	X	X	X	Exit power down → Idle	
	L	L	X	X	X	X	X	Maintain power down mode	
Both banks idle	H	H	H	X	X	X		Refer to operations in Operative Command Table	
	H	H	L	H	X	X		Refer to operations in Operative Command Table	
	H	H	L	L	H	X		Refer to operations in Operative Command Table	
	H	H	L	L	L	H	X	Refresh	
	H	H	L	L	L	L	Op-Code	Refer to operations in Operative Command Table	
	H	L	H	X	X	X		Refer to operations in Operative Command Table	
	H	L	L	H	X	X		Refer to operations in Operative Command Table	
	H	L	L	L	H	X		Refer to operations in Operative Command Table	
	H	L	L	L	L	H	X	Self refresh	1
	H	L	L	L	L	L	Op-Code	Refer to operations in Operative Command Table	
Row active	L	X	X	X	X	X	X	Power down	1
	L	X	X	X	X	X	X	Power down	1
Any state other than listed above	H	H	X	X	X	X		Refer to operations in Operative Command Table	
	H	L	X	X	X	X	X	Begin clock suspend next cycle	2
	L	H	X	X	X	X	X	Exit clock suspend next cycle	
	L	L	X	X	X	X	X	Maintain clock suspend	

Remark : H = High level, L = Low level, X = High or Low level (Don't care)

- Notes 1. Self refresh can be entered only from the both banks idle state.
 Power down can be entered only from both banks idle or row active state.
 2. Must be legal command as defined in Operative Command Table.

Absolute Maximum Ratings

Symbol	Item	Rating	Units
V _{IN} , V _{OUT}	Input, Output Voltage	-0.3 ~ 4.6	V
V _{DD} , V _{DDQ}	Power Supply Voltage	-0.3 ~ 4.6	V
T _{OP}	Operating Temperature	0 ~ 70	°C
T _{STG}	Storage Temperature	-55 ~ 150	°C
P _D	Power Dissipation	1	W
I _{OS}	Short Circuit Current	50	mA

Note : Caution Exposing the device to stress above those listed in Absolute Maximum Ratings could cause permanent damage. The device is not meant to be operated under conditions outside the limits described in the operational section of this specification. Exposure to Absolute Maximum Rating conditions for extended periods may affect device reliability.

Recommended DC Operation Conditions (Ta = 0 ~ 70°C)

Symbol	Parameter	Min.	Typical	Max.	Units
V _{DD}	Power Supply Voltage	3.0	3.3	3.6	V
V _{DDQ}	Power Supply Voltage (for I/O Buffer)	3.0	3.3	3.6	V
V _{IH}	Input logic high voltage	2.0		V _{DD} +0.3	V
V _{IL}	Input logic low voltage	-0.3		0.8	V

- Note :**
1. All voltage referred to V_{SS}.
 2. V_{IH} (max) = 5.6V for pulse width ≤ 3ns
 3. V_{IL} (min) = -2.0V for pulse width ≤ 3ns

Capacitance (V_{CC} = 3.3V, f = 1MHz, Ta = 25°C)

Symbol	Parameter	Min.	Max.	Units
C _{CLK}	Clock capacitance	2.5	4.0	pF
C _I	Input capacitance for CLK, CKE, Address, /CS, /RAS, /CAS, /WE, DQM0 ~ 3	2.5	4.5	pF
C _O	Input/Output capacitance	4.0	6.5	pF

Recommended DC Operating Conditions

($V_{DD} = 3.3V \pm 0.3 V$, $T_a = 0 \sim 70 \text{ }^\circ\text{C}$, $T_a = -40 \text{ to } 85^\circ\text{C}$ for -6I)

Parameter	Symbol	Test condition	MAX				Units	Notes	
			-5	-6/6I	-7	-7L			
Operating current	ICC1	Burst length = 1, $t_{RC} \geq t_{RC}(\text{min})$, $I_{OL} = 0 \text{ mA}$, One bank active	CL=3	120	100	90	80	mA	1
			CL=2	-	-	-	-		
Precharge standby current in power down mode	ICC2P	$CKE \leq V_{IL}(\text{max.})$, $t_{CK} = 15 \text{ ns}$	1				mA		
	ICC2PS	$CKE \leq V_{IL}(\text{max.})$, $t_{CK} = \infty$	1						
Precharge standby current in non-power down mode	ICC2N	$CKE \geq V_{IL}(\text{min.})$, $t_{CK} = 15 \text{ ns}$, $/CS \geq V_{IH}(\text{min.})$ Input signals are changed one time during 30ns	35				mA		
	ICC2NS	$CKE \geq V_{IL}(\text{min.})$, $t_{CK} = \infty$ Input signals are stable	10						
Active standby current in power down mode	ICC3P	$CKE \leq V_{IL}(\text{max.})$, $t_{CK} = 15\text{ns}$	5				mA		
	ICC3PS	$CKE \leq V_{IL}(\text{max.})$, $t_{CK} = \infty$	1						
Active standby current in non-power down mode	ICC3N	$CKE \geq V_{IL}(\text{min.})$, $t_{CK} = 15\text{ns}$, $/CS \geq V_{IH}(\text{min.})$ Input signals are changed one time during 30ns	60				mA		
	ICC3NS	$CKE \geq V_{IL}(\text{min.})$, $t_{CK} = \infty$ Input signals are stable	30						
operating current (Burst mode)	ICC4	$t_{CCD} = 2\text{CLKs}$, $I_{OL} = 0 \text{ mA}$	CL=3	190	160	140	140	mA	2
			CL=2	-	-	-	-		
Refresh current	ICC5	$t_{RC} \geq t_{RC}(\text{min.})$	125	120	110	110	mA	3	
Self Refresh current	ICC6	$CKE \leq 0.2V$	1				mA	4	
			0.4					5	

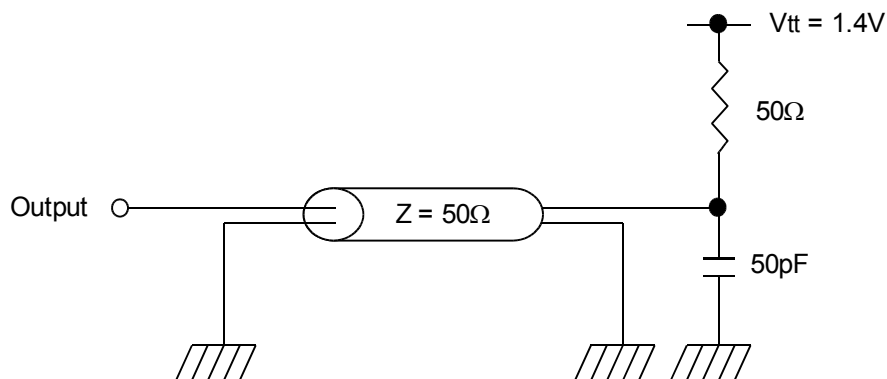
- Note :**
- ICC1 depends on output loading and cycle rates.
Specified values are obtained with the output open.
Input signals are changed only one time during $t_{CK}(\text{min})$
 - ICC4 depends on output loading and cycle rates.
Specified values are obtained with the output open.
Input signals are changed only one time during $t_{CK}(\text{min})$
 - Input signals are changed only one time during $t_{CK}(\text{min})$
 - Standard power version.
 - Low power version.

Recommended DC Operating Conditions (Continued)

Parameter	Symbol	Test condition	Min.	Max.	Unit
Input leakage current	I _{IL}	0 ≤ V _I ≤ V _{DDQ} , V _{DDQ} =V _{DD} All other pins not under test=0 V	-0.5	+0.5	uA
Output leakage current	I _{OL}	0 ≤ V _O ≤ V _{DDQ} , DOUT is disabled	-0.5	+0.5	uA
High level output voltage	V _{OH}	I _o = -4mA	2.4		V
Low level output voltage	V _{OL}	I _o = +4mA		0.4	V

AC Operating Test Conditions
(V_{DD} = 3.3V +/- 0.3 V, T_a = 0 ~ 70°C)

Output Reference Level	1.4V / 1.4V
Output Load	See diagram as below
Input Signal Level	2.4V / 0.4V
Transition Time of Input Signals	2ns
Input Reference Level	1.4V



Operating AC Characteristics

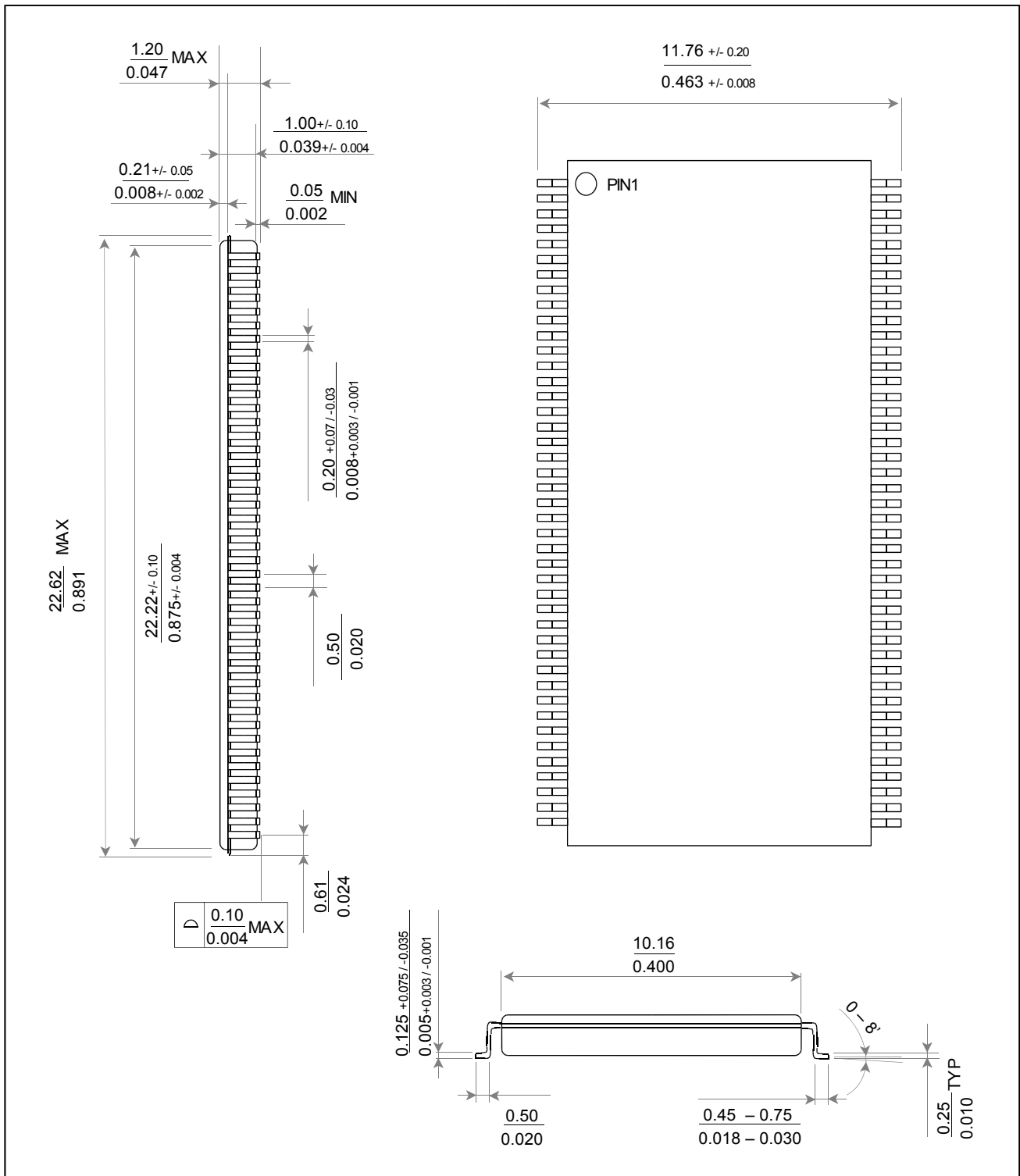
(VDD = 3.3V +/- 0.3 V, Ta = 0 ~ 70°C, Ta = -40 to 85°C for -6I)

Parameter		Symbol	-5		-6/6I		-7		-7L		Units	Notes
			Min.	Max.	Min.	Max.	Min.	Max.	Min.	Max.		
Clock cycle time	CL = 3	t _{CK}	5	1000	6	1000	7	1000	7	1000	ns	
	CL = 2		7	1000	7.5	1000	8	1000	10		ns	
Access time from CLK	CL = 3	t _{AC}		4.5		5.5		5.5		5.5	ns	
	CL = 2			5.5		5.5		6			ns	
CLK high level width		t _{CH}	2		2		2		2		ns	
CLK low level width		t _{CL}	2		2		2		2		ns	
Data-out hold time	CL = 3	t _{OH}	1.5		2		2		2		ns	2
	CL = 2							2			ns	
Data-out high impedance time	CL = 3	t _{HZ}		5		6		7		7	ns	
	CL = 2								7		ns	
Data-out low impedance time		t _{LZ}	0		0		0		0		ns	
Input hold time		t _{IH}	1		1		1		1		ns	
Input setup time		t _{IS}	1.5		1.5		2		2		ns	
ACTIVE to ACTIVE command period		t _{RC}	54		60		65		65		ns	3
ACTIVE to PRECHARGE command period		t _{RAS}	40	100k	42	100k	45	100k	45	100k	ns	3
PRECHARGE to ACTIVE command period		t _{RP}	18		18		18		18		ns	3
ACTIVE to READ/WRITE delay time		t _{RCD}	18		18		18		18		ns	3
ACTIVE(one) to ACTIVE(another) command		t _{RRD}	10		12		14		16		ns	3
READ/WRITE command to READ/WRITE command		t _{CCD}	1		1		1		1		CLK	
Data-in to PRECHARGE command		t _{DPL}	2		2		2		2		CLK	
Data-in to BURST stop command		t _{BDL}	1		1		1		1		CLK	
Data-out to high impedance from PRECHARGE command	CL = 3	t _{ROH}	3		3		3		3		CLK	
	CL = 2		2		2		2		2		CLK	
Refresh time(4,096 cycle)		t _{REF}		64		64		64		64	ms	

Note :

1. All voltages referenced to Vss.
2. t_{HZ} defines the time at which the output achieve the open circuit condition and is not referenced to output voltage levels.
3. These parameters account for the number of clock cycle and depend on the operating frequency of the clock, as follows :
The number of clock cycles = Specified value of timing/clock period
(Count fractions as a whole number)

Package Dimension



* EOREX reserves the right to change products or specification without notice.