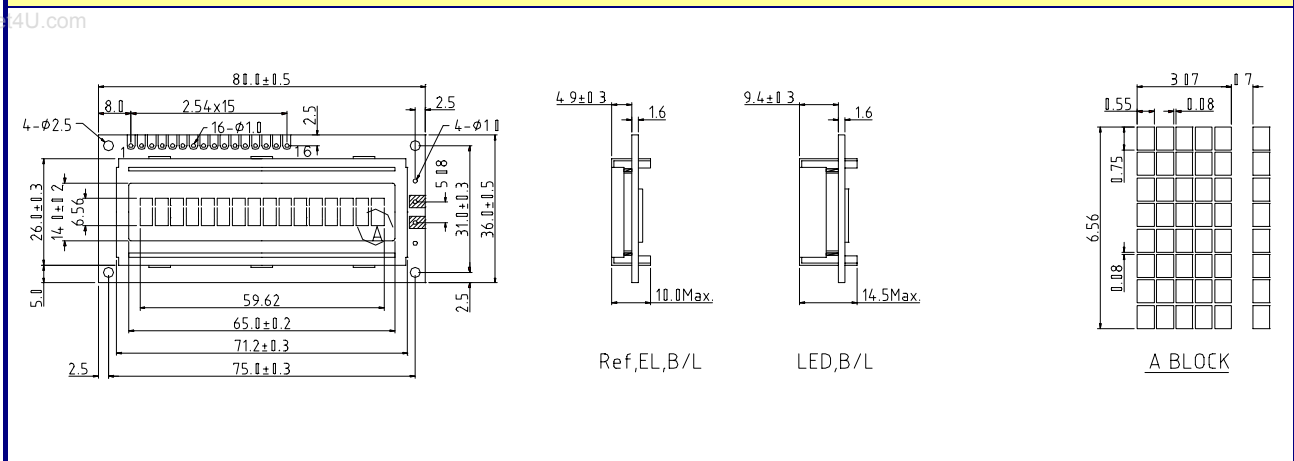


## EX161001 16 characters x 1 line

### ■Mechanical Data

Item	Standard Value	Unit
Module Dimensions	80.0(W) X 36.0(H) X 10.0 (T)	mm
Viewing Area	65.0(W) X 14.0(H)	mm
Dot Size	0.55(W) X 0.75(H)	mm
Dot Pitch	0.63(W) X 0.83(H)	mm

### ■External Dimensions



### ■Pin Assignment

No.	Symbol	Function	No.	Symbol	Function
1	V <sub>SS</sub>	GND, 0V	9	DB2	Data Bus Line
2	V <sub>DD</sub>	+5V	10	DB3	Data Bus Line
3	V <sub>EE</sub>	For LCD Drive	11	DB4	Data Bus Line
4	RS	Function Select	12	DB5	Data Bus Line
5	R/W	Read/Write	13	DB6	Data Bus Line
6	E	Enable Signal	14	DB7	Data Bus Line
7	DB0	Data Bus Line	15	LED A	LED Supply
8	DB1	Data Bus Line	16	LED K	LED Supply

### ■Block Diagram

