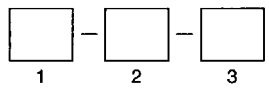




FLAT CABLE TRANSITION PLUG



ORDERING INFORMATION



1. DESCRIPTION

FTP = Flat Cable Transition Plug

2. POSITION

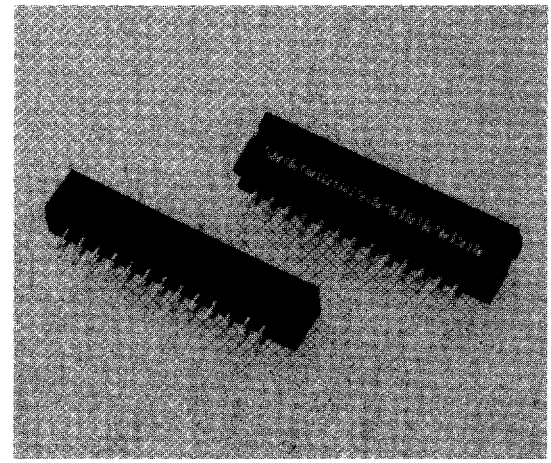
8, 10, 14, 16, 20, 24, 26, 28, 30, 34, 40, 50, 60, 64

3. PLATING

G = Gold over Nickel
T = Tin

FEATURES:

- Available in 10, 14, 16, 20, 26, 34, 40, 50, 60 and 64 circuits
- Eliminates socket/header combination
- Accepts 28 awg. cable
- Tin or gold plating option is available



***CABLE ASSEMBLY AVAILABLE**

FTP SERIES SPECIFICATIONS:

MATERIALS:

Contacts: Copper alloy
Plating: Tin plated or gold over nickel
Insulator: UL 94V-0 Glass Filled Polyester

ELECTRICAL:

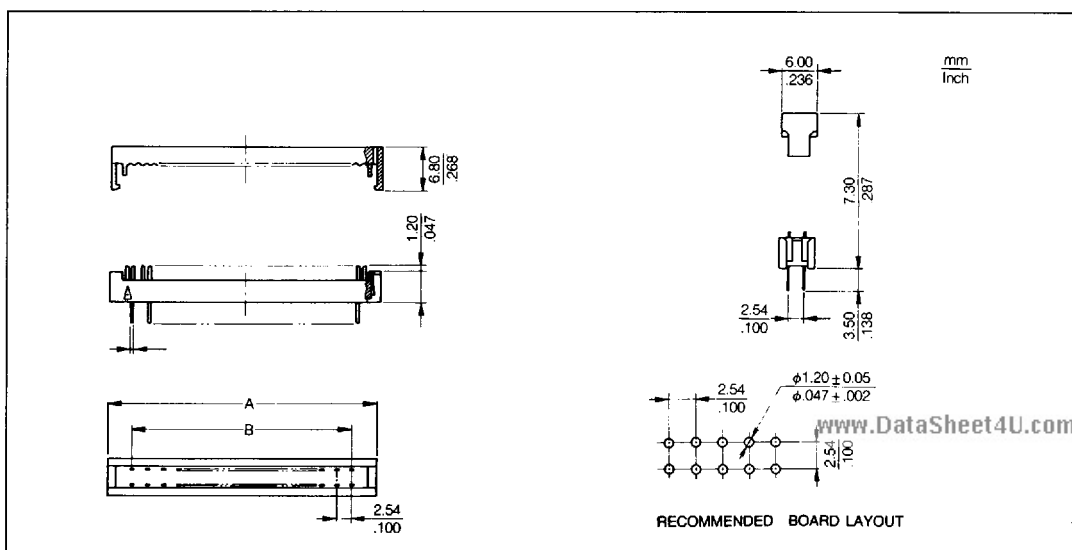
Current Rating: 1 Amp max.
Voltage Rating: 250 VAC
Contact Resistance: 10 milliohms max.
Operating Temperature: -55 to + 125C

*Custom factory cable assemblies available. Please call or fax customer specifications for price quote.

DIMENSIONAL DATA

All dimensions in (inches) and millimeters.

CONTACTS	A	B
8	15.28 (.702)	7.62 (.300)
10	17.82 (.802)	10.16 (.400)
14	22.90 (.902)	15.24 (.600)
16	25.44 (1.002)	17.78 (.700)
20	30.52 (1.202)	22.86 (.900)
24	35.60 (1.402)	27.94 (1.100)
26	38.14 (1.502)	30.48 (1.200)
28	40.68 (1.602)	33.02 (1.300)
30	43.22 (1.702)	35.56 (1.400)
34	48.30 (1.902)	40.64 (1.600)
40	65.92 (2.202)	48.26 (1.900)
50	68.62 (2.702)	60.96 (2.400)
60	81.32 (3.202)	73.66 (2.900)
64	86.40 (3.402)	78.74 (3.100)



RECOMMENDED BOARD LAYOUT