

SPECIFICATION

Passive Matrix LCD Module
(16 Charaters x 2 Lines)

APPROVED BY

Model No.

JA-SCB16202S-YN6T-LY

JUL. 21. 1998

 JE-AN Electronics Co., Ltd.

CONTENTS

1. Features	-----	1
2. Mechanical Specification	-----	1
3. Electrical Specification		
3-1. Absolute Maximum Ratings	-----	1
3-2. Electrical Characteristics	-----	2
4. Characteristics of Backlighting		
4-1. Absolute Maximum Ratings	-----	3
4-2. Opto-Electronic Characteristics	-----	3
4-3. LED Circuit Diagram	-----	3
5. Electro-Optical Characteristics	-----	4
6. Pin Assignment	-----	5
7. Block Diagram	-----	6
8. Power Supply Block Diagram	-----	6
9. Timing Characteristics	-----	7
10. Instruction Sets		
10-1. Instructions	-----	8
10-2. Initializing By Instruction	-----	9
10-3. DD Ram Address	-----	10
11. Character Font Table	-----	11
12. External Dimension	-----	12

1. Features

www.D Display mode : STN Yellow / Green mode, positive type display

Display format : 16 Characters x 2 Lines

Driving method : 1/16 Duty, 1/4 Bias

Viewing direction : 6 O'clock

Back lighting : LED unit (Transmissive + Yellow / Green)

2. Mechanical Specifications

Item	Specification	Unit
Module Size (W x H x T)	80.0 x 36.0 x 15.0 Max.	mm
Viewing Area (W x H)	64.5 x 13.8	mm
Character Font (W x H)	5.0 x 7.0	dots
Character Size (W x H)	2.95 x 3.8	mm
Character Pitch (W x H)	3.65 x 5.05	mm
Dot Size (W x H)	0.55 x 0.5	mm
Weight	About 100	g

3. Electrical Specifications

3-1. Absolute Maximum ratings

Item	Symbol	Value			Unit	Condition	Remarks	
		Min.	Typ.	Max.				
Supply Voltage	Logic	V _{DD}	-0.3	-	+70	V	Ta = 25	
	LCD	V _{DD-V0}	V _{DD} -15.0	-	V _{DD} +0.3	V	Ta = 25	
Input voltage	V _I	-0.3	-	V _{DD} +0.3	V	Ta = 25		
Operating temp.	T _{opr}	0	-	+50		-		
Storage temp.	T _{stg}	-20	-	+70		-		

3-2. Electrical Characteristics

www.DataSheet4U.com

V_{DD} = +5V ± 10%, V_{SS} = 0V, Ta = 0 ~ 50

Item		Symbol	Spec. Value			Unit	Condition
			Min.	Typ.	Max.		
Supply Voltage	Logic	V _{DD-VSS}	4.5	5.0	5.5	V	-
	LCD	V _{DD-V0}	-	4.7	-	V	Ta = -30 = 10 _o , = 0 _o
			4.2	4.4	4.6	V	Ta = 25 = 10 _o , = 0 _o
			-	4.1	-	V	Ta = 85 = 10 _o , = 0 _o
Supply Current	Logic	I _{DD}	-	0.4	0.6	mA	V _{DD} = 5V ± 10% V _{SS} = 0V Ta = 25
	LCD	I _o	-	1.0	1.5	mA	
Power Consumption		P _D	-	500	-	mW	
Input Voltage "HIGH" Level		V _{IH}	2.2	-	V _{DD}	V	-
Input Voltage "LOW" Level		V _{IL}	-0.3	-	0.6	V	-
Output Voltage "HIGH" Level		V _{OH}	2.4	-	-	V	-
Output Voltage "LOW" Level		V _{OL}	-	-	0.4	V	-
Frame Frequency		F _f	-	84.3	-	Hz	F _{osc} = 270KHz
Oscillation Frequency		F _{osc}	125	270	350	Hz	R _{osc} = 91kΩ ± 2%

4. Characteristics of Backlighting (LED Unit)

www.DataSheet4U.com

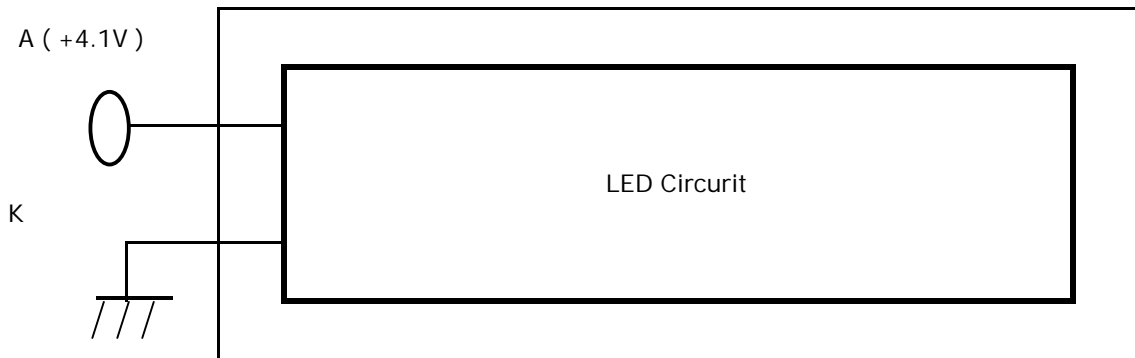
4-1. Absolute maximum ratings

Item	Symbol	Condition	Min.	Max.	Unit
Forward Current	I_F	$T_a = 25$	-	480	mA
Reverse Voltage	V_R	$T_a = 25$	-	10	V
Power Dissipation	P_D	$T_a = 25$	-	2160	mW

4-2. Opto-electric Characteristics

Item	Symbol	Condition	Min.	Typ.	Max.	Unit
Forward Voltage	V_F	$T_a = 25$	-	4.1	4.5	V
Luminous	-	$I_F = 110\text{mA}$	70	-	-	Cd / m^2

4-3. LED Circuit Diagram



5. Electro - Optical Characteristics

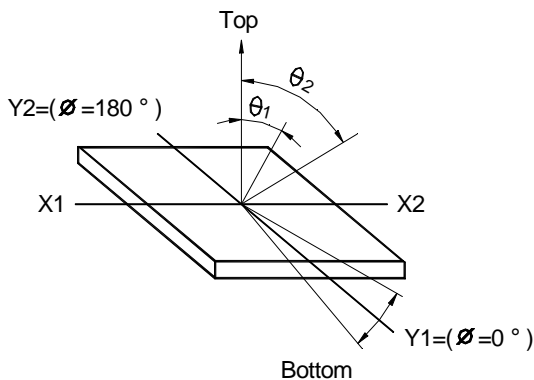
Item	Symbol	Min.	Typ.	Max.	Unit	Condition	Note
Viewing Angle	2 - 1	50	60	-	deg.	Cr = 2 = 0°	1,2
		± 35		-			
Contrast Ratio	Cr	3	5	-	-	= 20° = 0°	3
Response Time (rise)	Tr	-	150	250	ms	= 20° = 0°	4
Response Time (full)	Tf	-	150	250	ms	= 20° = 0°	4

Above data are measured under 1/16 Duty STN Yellow/Green mode

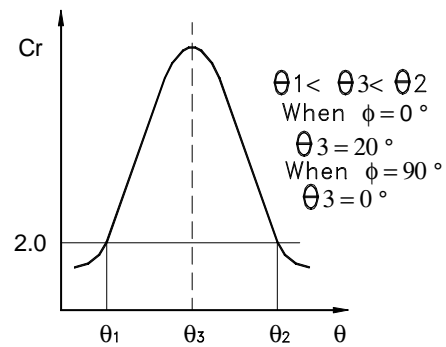
Ta = 25°

= 0 means viewing direction

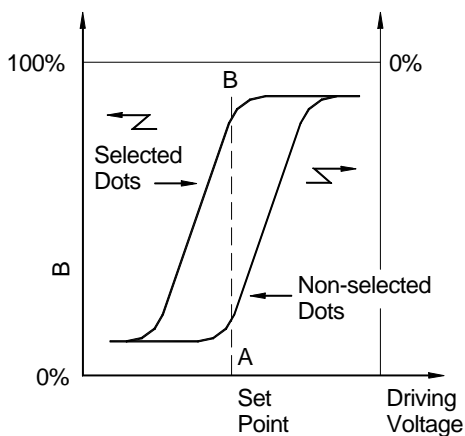
Note 1. Definition of angle θ and ϕ



Note 2. Definition of viewing angle θ_1 and θ_2

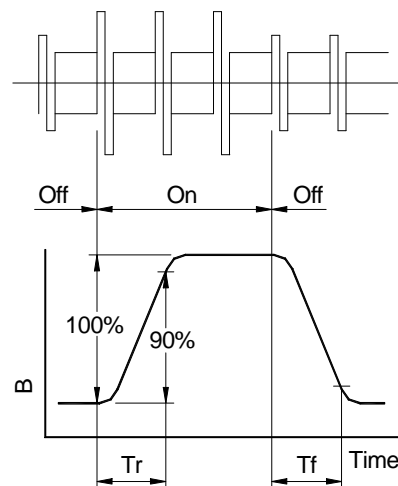


Note 3. Definition of contrast Cr



$$Cr = (A/B)^P \begin{cases} \text{Negative : } P = -1 \\ \text{Positive : } P = +1 \end{cases}$$

Note 4. Definition of optical response



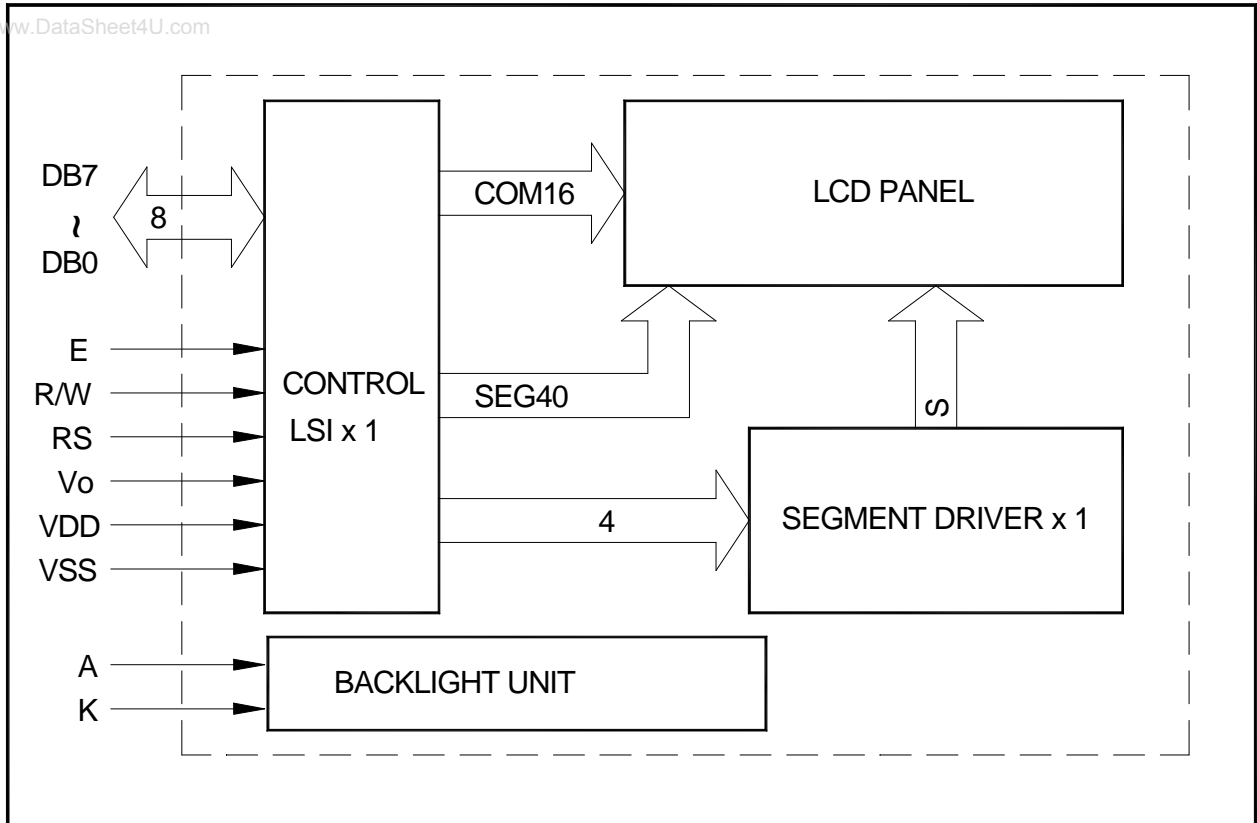
6. Pin Assignment

www.DataSheet4U.com

Pin No.	Symbol	Level	Function
1	V _{SS} (GND)	0 V	Ground
2	V _{DD} (V _{CC})	+ 5V	Logic Supply Voltage
3	V ₀	-	LCD Driving Voltage
4	RS	H / L	H : Data Input L : Instruction Input
5	R / W	H / L	H : Data Read L : Data Write
6	E	H, H L	Enable Signal
7	DB0	H / L	Data Bus Line
8	DB1	H / L	
9	DB2	H / L	
10	DB3	H / L	
11	DB4	H / L	
12	DB5	H / L	
13	DB6	H / L	
14	DB7	H / L	
15	NC	-	
16	NC	-	

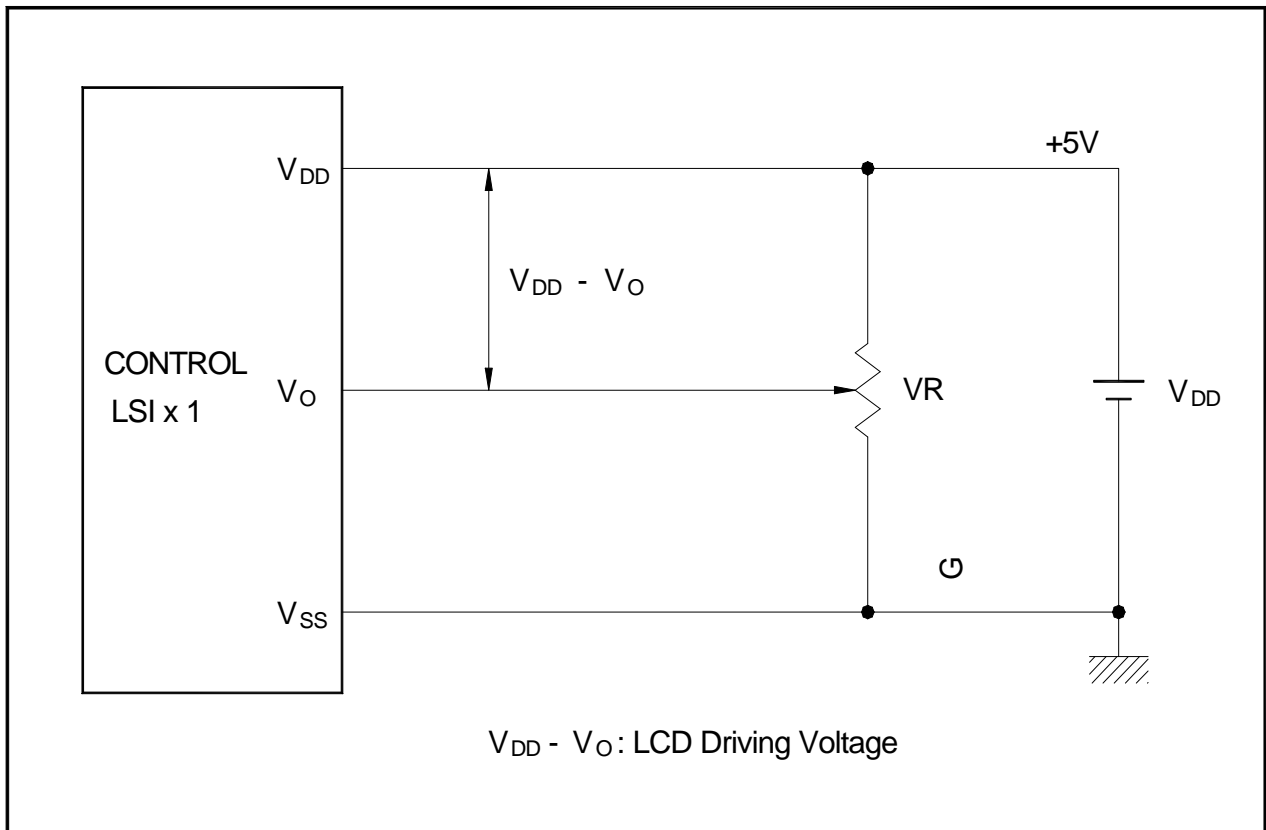
7. Block Diagram

www.DataSheet4U.com



8. Power Supply Block Diagram

□



9. Timing Characteristics

V_{DD} = +5V ± 10%, V_{SS} = 0V, T_a = -30 ~ +85

Item	Symbol	Value			Unit	
		Min.	Typ.	Max.		
Enable Cycle Time	Fig 1, 2	T _{cyc}	500	-	-	ns
Enable Pulse Width, High Level	Fig 1, 2	PW _{EH}	220	-	-	ns
Enable Rise and Fall Time	Fig 1, 2	t _{ER} , t _{EF}	-	-	25	ns
Address Setup Time, RS, R/w, E	Fig 1, 2	T _{AS}	40	-	-	ns
Data Delay Time	Fig 2	T _D	-	-	120	ns
Data Setup Time	Fig 1	T _{DSW}	60	-	-	ns
Data Hold Time	Fig 1	T _H	10	-	-	ns
Data Hold Time	Fig 2	T _{DH}	20	-	-	ns
Address Hold Time	Fig 1, 2	T _{AH}	10	-	-	ns

FIG.1 Write Operation (MPU -> LCD MODULE)

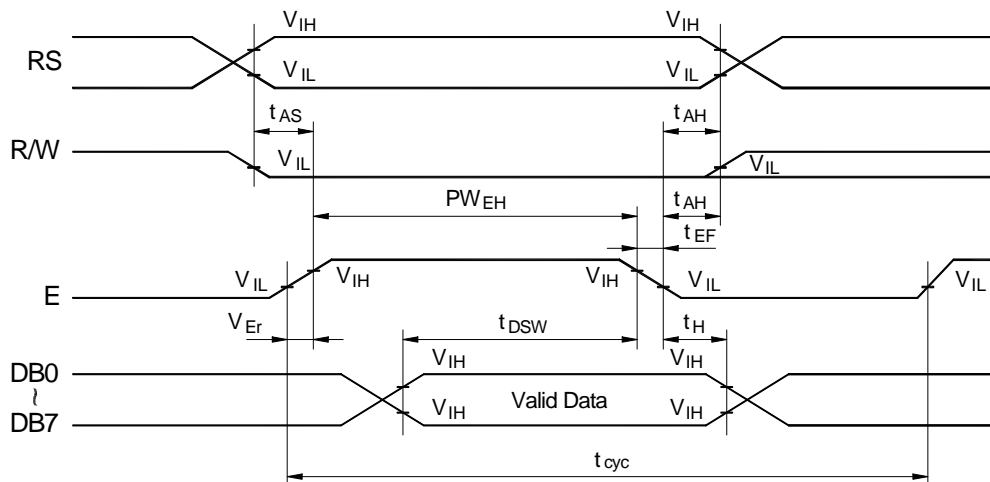
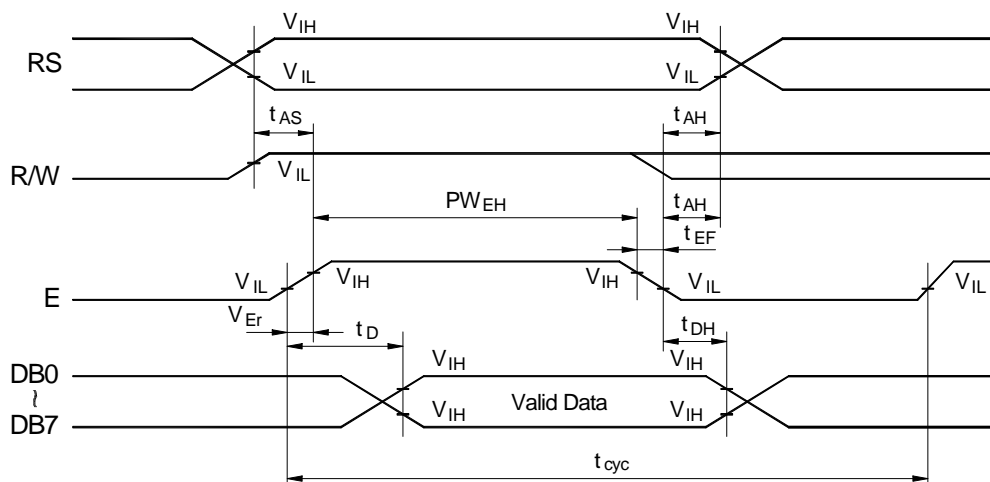


FIG.2 Read Operation (LCD MODULE -> MPU)



10. Instruction Sets

10-1. Instruction

Instruction	Code										Description	Execution Time(Max) Fosc is 270KHz
	RS	R/W	DB7	DB6	DB5	DB4	DB3	DB2	DB1	DB0		
Clear Display	0	0	0	0	0	0	0	0	0	1		1.52 ms
Return Home	0	0	0	0	0	0	0	0	1	*	Returns display being shifted	1.52 ms
Entry mode Set	0	0	0	0	0	0	0	1	I/D	SH		37 μ S
Display On/Off Control	0	0	0	0	0	0	1	D	C	B		37 μ S
Cursor or Display Shift	0	0	0	0	0	1	S/C	R/L	*	*		37 μ S
Function Set	0	0	0	0	1	DL	N	F	*	*		37 μ S
Set CG Ram Address	0	0	0	1	ACG						37 μ S	
Set DD Ram Address	0	0	1	ADD						37 μ S		
Read Busy Flag and Address	0	1	BF	ADD						0 μ S		
Write Data to CG or DD Ram	1	0	AC						43 μ S			
Read Data From CG or DD Ram	1	1	Read						43 μ S			

Remarks				
I/D	1	Increment	0	Decrement
SH	1	Entire Shift on	0	Entire Shift off
S/C	1	Display Shift	0	Cursor move
R/L	1	Shift to the Right	0	Shift to the Left
DL	1	8 Bits	0	4 Bits
N	1	2 Lines	0	1 Lines
F	1	5 x 11 Dots	0	5 x 8 Dots
BF	1	Internally Operating	0	Can accept instruction

: No Effect (Don't Care)

DD RAM : Display Data RAM

CG RAM : Character Generator RAM

ACG : CG RAM Address

ADD : CG RAM Address : Corresponds to cursor Address

AC : Address counter used for both

DD and CG RAM Address

10-2. Initializing by Instruction

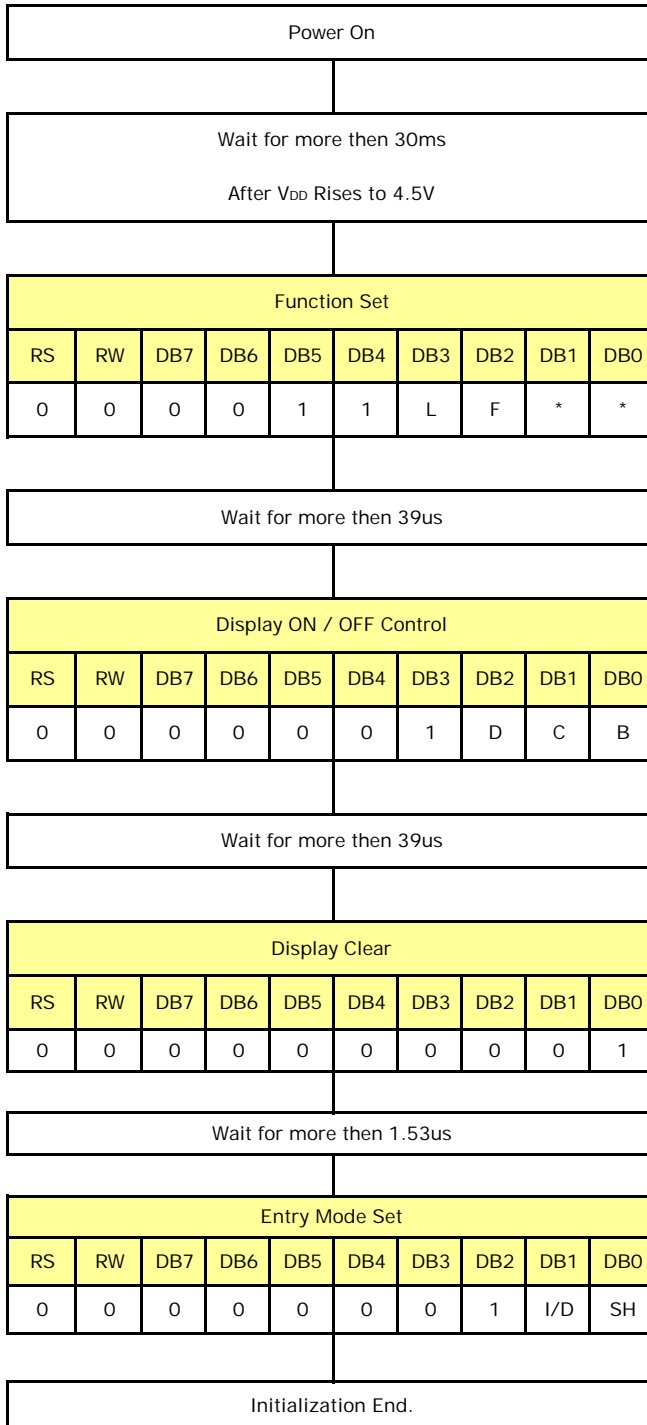
If the power supply conditions for correctly operating the internal reset circuit are not met,

Initialization by instruction is required.

Use the Following procedure for initialization.

10-2-1. When Interface Is 8 Bits Long :

Condition : fosc = 270KHz



Display Off

Display Clear

Entry Mode Set

N	0	1-Line Mode.
	1	2-Line Mode.
F	0	Display off
	1	Display on

D	0	Display off
	1	Display on
C	0	Cursor off
	1	Cursor on
B	0	Blink off
	1	Blink on

I/D	0	Decrement mode
	1	Increment mode
SH	0	Entire shift off
	1	Entire shift on

9-2-2. When interface is 4 Bits Long :

Condition : fosc = 270KHz

www.DataSheet4U.com

Power On

Wait for more then 30ms
After VDD Rises to 4.5V

Function Set					
RS	RW	DB7	DB6	DB5	DB4
0	0	0	0	1	0
0	0	0	0	1	0
0	0	N	F	*	*

Wait for more then 39us

Display ON / OFF Control					
RS	RW	DB7	DB6	DB5	DB4
0	0	0	0	0	0
0	0	1	D	C	B

Wait for more then 39us

Display Clear					
RS	RW	DB7	DB6	DB5	DB4
0	0	0	0	0	0
0	0	0	0	0	1

Entry Mode Set					
RS	RW	DB7	DB6	DB5	DB4
0	0	0	0	0	0
0	0	0	1	I/D	SH

Initialization Ends.

Display Off

Display Clear

Entry Mode Set

N	0	1-Line mode
	1	2-Line mode
F	0	Display off
	1	Display on

D	0	Display off
	1	Display on
C	0	Cursor off
	1	Cursor on
B	0	Blink off
	1	Blink on

I/D	0	Decrement mode
	1	Increment mode
SH	0	Entire shift off
	1	Entire shift on

9-3. DD RAM Address

Digit	1	2	3	4	5	6	7	8	9	10	11	12	13	14	15	16
1-Line	00	01	02	03	04	05	06	07	08	09	0A	0B	0C	0D	0E	0F
2-Line	40	41	42	43	44	45	46	47	48	49	4A	4B	4C	4D	4E	4F

Display position

DD RAM Address

(Hexadecimal)

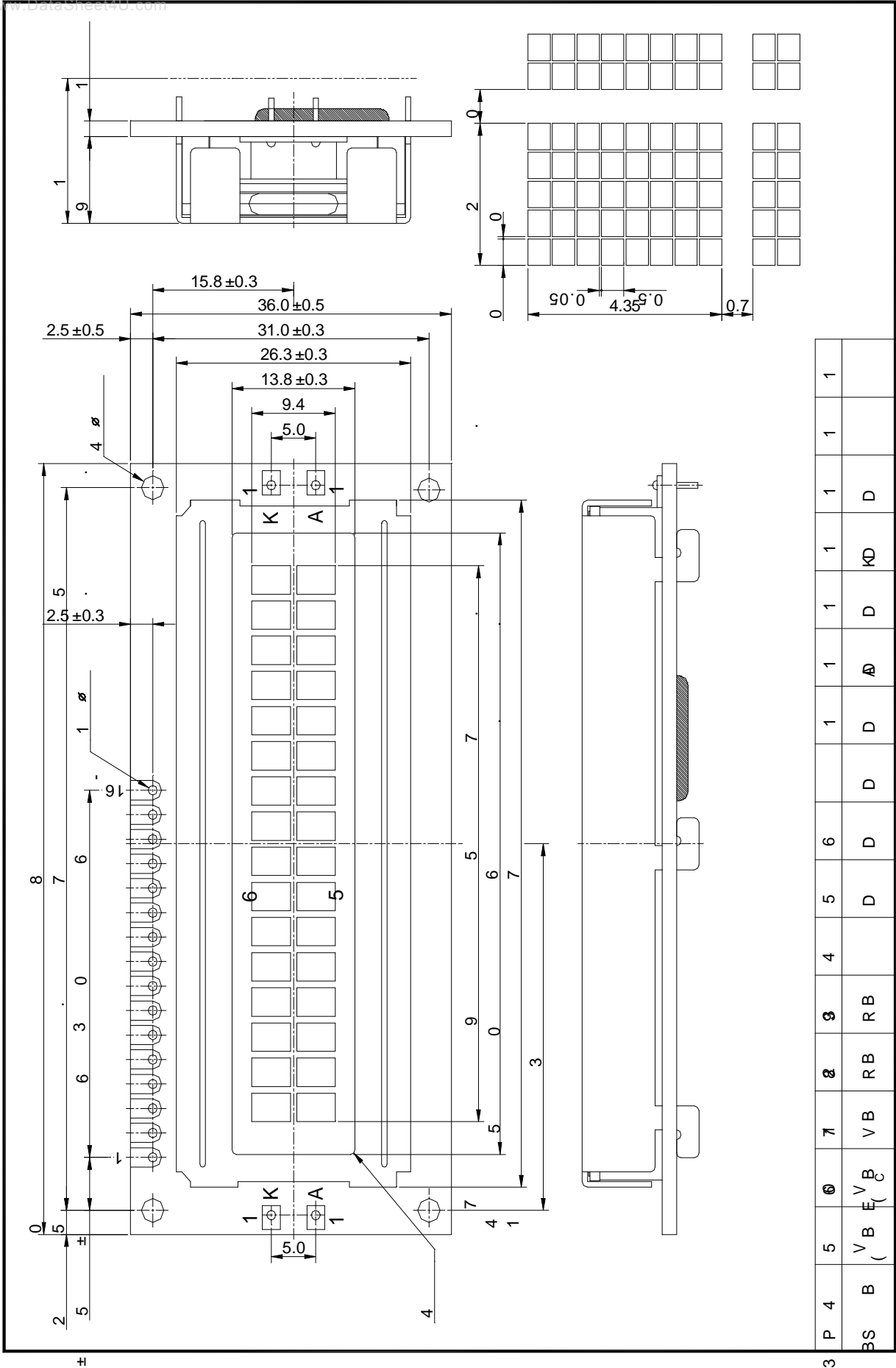
11. Character Font Table

www.DataSheet4U.com

Upper 4bit Lower 4bit	LLLL	LLLH	LLHL	LLHH	LHLL	LHLH	LHHL	LHHH	HLLL	HLLH	HLHL	HLHH	HHLL	HHLH	HHHL	HHHH
LLLL	CG RAM (1)															
LLLH	(2)															
LLHL	(3)															
LLHH	(4)															
LHLL	(5)															
LHLH	(6)															
LHHL	(7)															
LHHH	(8)															
HLLL	(1)															
HLLH	(2)															
HLHL	(3)															
HLHH	(4)															
HHLL	(5)															
HHLH	(6)															
HHHL	(7)															
HHHH	(8)															

12. External Dimension

www.DataSheet4U.com



3	P	4	5	6	7	8	9	0	1	2	3	4	5	6	7	8	9	0	1
B	S	K	A	V	E	B	C	R	D	KD	D	D	D	D	D	D	D	D	D

0
-8