



SANYO Semiconductors

# DATA SHEET

## Bi-CMOS LSI

# LV8080LP — Two channels Constant-current H-bridge Driver

### Overview

The LV8080LP is a two-channel constant-current driver that supports low-voltage operation. It is optimal for constant-current drive of stepping motors (AF and zoom) in portable equipment such as camera cell phones.

### Features

- Two channels constant-current H-bridge driver
- Built-in power supply switch and position detection comparator for use with a photoreflector
- Supports both 2-phase drive and 1-2 phase drive.
- Implemented in a low-power MOS IC process.
- Ultraminiature easy to solder VCT16 package (2.6 × 2.6mm)
- Built-in thermal protection and low-voltage sensing circuits

### Specifications

**Absolute Maximum Ratings** at Ta = 25°C

| Parameter                   | Symbol                   | Conditions                   | Ratings      | Unit |
|-----------------------------|--------------------------|------------------------------|--------------|------|
| Maximum supply voltage      | V <sub>CC</sub> , VM max |                              | 6.5          | V    |
| Output voltage              | V <sub>OUT</sub> max     | OUT1, OUT2, OUT3, OUT4       | 6.5          | V    |
| Input voltage               | V <sub>IN</sub> max      | CONT, IN                     | -0.3 to +6.5 | V    |
| Ground pin source current   | IGND                     | Per channel                  | 400          | mA   |
| Allowable power dissipation | Pd max                   | Mounted on a circuit board.* | 700          | mW   |
| Operating temperature       | T <sub>opr</sub>         |                              | -30 to +85   | °C   |
| Storage temperature         | T <sub>stg</sub>         |                              | -40 to +150  | °C   |

\* Specified circuit board : 40×50×0.8mm<sup>3</sup> : 4-layer (2S2P) glass epoxy printed circuit board

■ Any and all SANYO Semiconductor Co.,Ltd. products described or contained herein are, with regard to "standard application", intended for the use as general electronics equipment (home appliances, AV equipment, communication device, office equipment, industrial equipment etc.). The products mentioned herein shall not be intended for use for any "special application" (medical equipment whose purpose is to sustain life, aerospace instrument, nuclear control device, burning appliances, transportation machine, traffic signal system, safety equipment etc.) that shall require extremely high level of reliability and can directly threaten human lives in case of failure or malfunction of the product or may cause harm to human bodies, nor shall they grant any guarantee thereof. If you should intend to use our products for applications outside the standard applications of our customer who is considering such use and/or outside the scope of our intended standard applications, please consult with us prior to the intended use. If there is no consultation or inquiry before the intended use, our customer shall be solely responsible for the use.

■ Specifications of any and all SANYO Semiconductor Co.,Ltd. products described or contained herein stipulate the performance, characteristics, and functions of the described products in the independent state, and are not guarantees of the performance, characteristics, and functions of the described products as mounted in the customer's products or equipment. To verify symptoms and states that cannot be evaluated in an independent device, the customer should always evaluate and test devices mounted in the customer's products or equipment.

**SANYO Semiconductor Co., Ltd.**

TOKYO OFFICE Tokyo Bldg., 1-10, 1 Chome, Ueno, Taito-ku, TOKYO, 110-8534 JAPAN

# LV8080LP

## Allowable Operating Ratings at Ta = 25°C

| Parameter                | Symbol          | Conditions | Ratings                    | Unit |
|--------------------------|-----------------|------------|----------------------------|------|
| Supply voltage           | V <sub>CC</sub> |            | 2.5 to 6.0                 | V    |
| High-level input voltage | V <sub>IH</sub> | CONT, IN   | 0.6V <sub>CC</sub> or more | V    |
| Low-level input voltage  | V <sub>IL</sub> |            | Up to 0.2V <sub>CC</sub>   | V    |

## Electrical Characteristics at Ta = 25°C, V<sub>CC</sub> = 3.0V

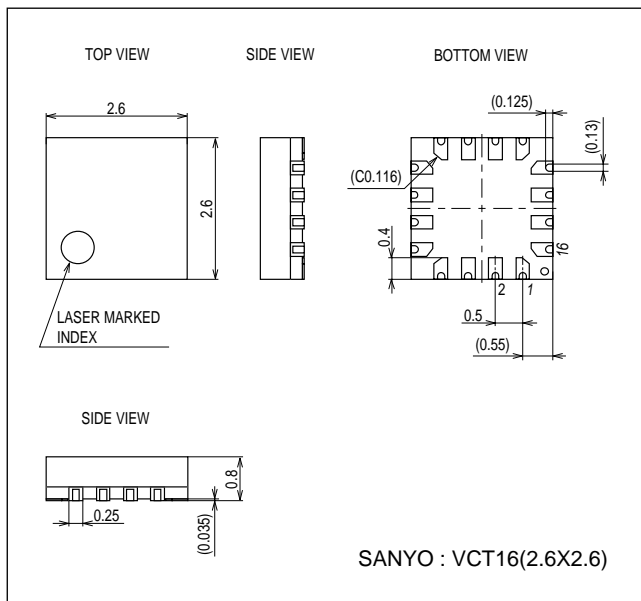
| Parameter                               | Symbol             | Conditions  | Ratings |      |       | Unit |
|---|--------------------|---|---------|------|-------|------|
|   |                    |   | min     | typ  | max   |      |
| Current drain                           | I <sub>CCO</sub>   | EN = 0V   |         | 0.1  | 1     | μA   |
|   | I <sub>CCO1</sub>  | EN = 3V   |         | 0.7  | 1     | mA   |
| Output on resistance                    | Ron1               | V <sub>CC</sub> = 3.0V (High and low side total)<br>EN = 3.0V, I <sub>OUT</sub> = 100mA |         | 2.0  | 3.0   | Ω    |
|   | Ron2               | V <sub>CC</sub> = 5.0V (High and low side total)<br>EN = 5.0V, I <sub>OUT</sub> = 100mA |         | 1.50 | 2.0   | Ω    |
| Constant-current output 1               | I <sub>OUT1</sub>  | Between RFG and ground : 1Ω   | 95      | 100  | 105   | mA   |
| Constant-current output 2               | I <sub>OUT2</sub>  | Between RFG and ground : 0.5Ω<br>(Design specification)                                 | 190     | 200  | 210   | mA   |
| Output turn-on time                     | T <sub>raise</sub> | With RFG1 and RFG2 shorted to ground<br>(Design specification)                          |         | 1.3  | 3     | μs   |
| Output turn-off time                    | T <sub>fall</sub>  | With RFG1 and RFG2 shorted to ground<br>(Design specification)                          |         | 0.25 | 0.65  | μs   |
| Position detection voltage (high level) | V <sub>H</sub>     |   |         | 1.0  | 1.06  | V    |
| Position detection voltage (low level)  | V <sub>L</sub>     |   | 0.74    | 0.8  |       | V    |
| Detection voltage hysteresis            | HYS                |   | 0.165   | 0.18 | 0.195 | V    |
| PI/PR pin current                       | I <sub>PI/PR</sub> |   |         |      | 20    | mA   |
| Input current                           | I <sub>IN</sub>    | V <sub>IN</sub> = 3V  |         | 15   | 30    | μA   |

Note : The design specification items are design guarantees and are not measured.

## Package Dimensions

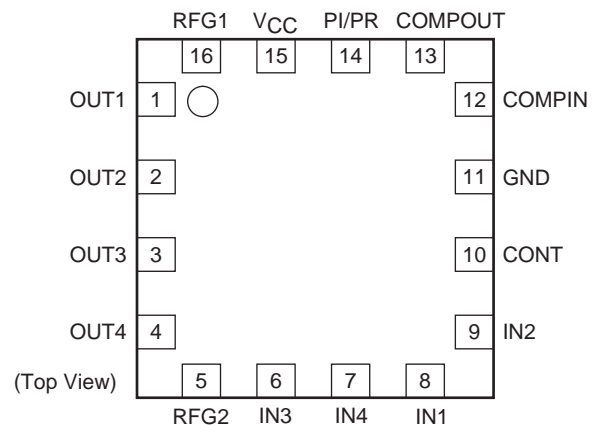
unit : mm (typ)

3318

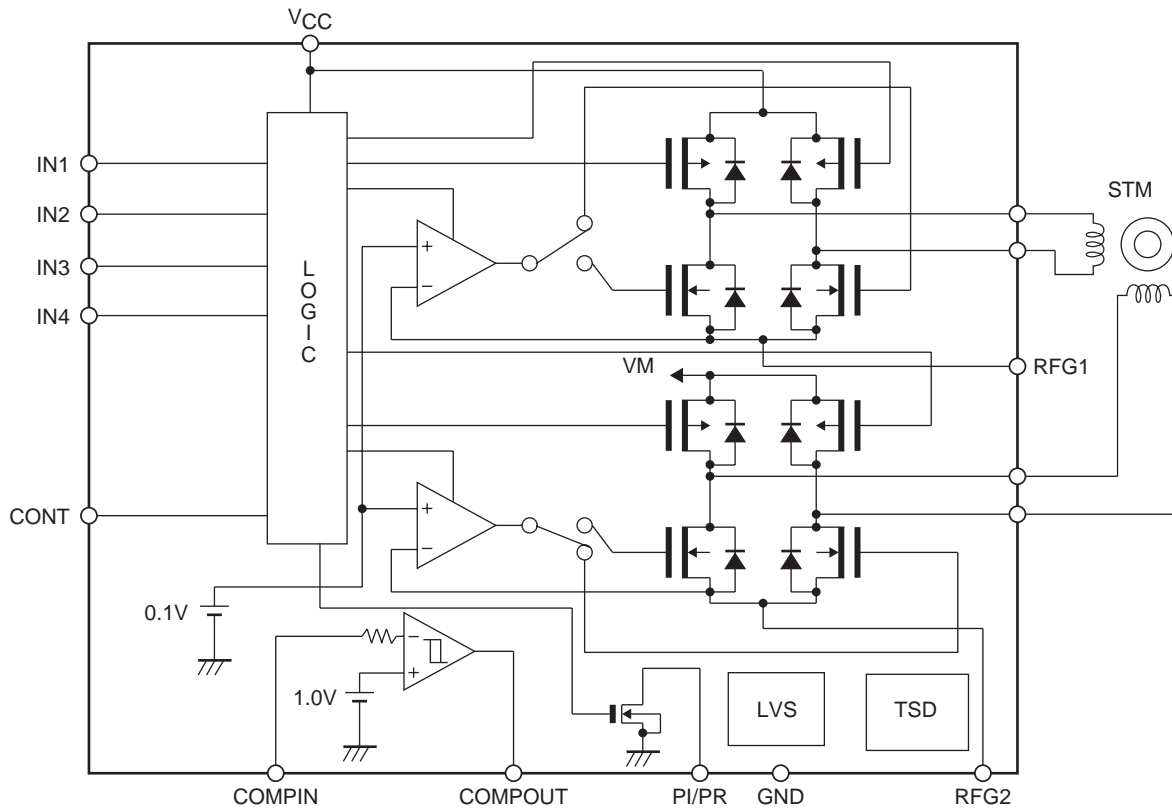


## Pin Assignment

(VCT16)



Block Diagram



Constant-current calculation :  $I_{OUT} = 0.1 \div R_F$  Example : When an  $I_{OUT}$  of 100mA is required,  $R_F$  must be  $1\Omega$ .

Usage Notes

The constant current is set by the resource  $R_F$  connected between RFG and ground according to the formula shown above.

Truth Table

| Input |      |      |      | Output |      |      |      | Mode                  |
|-------|------|------|------|--------|------|------|------|-----------------------|
| IN1   | IN2  | IN3  | IN4  | OUT1   | OUT2 | OUT3 | OUT4 |                       |
| Low   | Low  | Low  | Low  | Off    | Off  | Off  | Off  | Standby mode          |
| Low   | High | -    | -    | Low    | High | Off  | Off  | Channel 1, reverse    |
| High  | Low  |      |      | High   | Low  |      |      | Channel 1, forward    |
| High  | High |      |      | Low    | Low  |      |      | Channel 1, brake mode |
| -     | -    | Low  | High | Off    | Off  | Low  | High | Channel 2, reverse    |
|       |      | High | Low  |        |      | High | Low  | Channel 2, forward    |
|       |      | High | High |        |      | Low  | Low  | Channel 2, brake mode |

Note : The "-" input unstable state. When off, a high-impedance state.

- The ENA goes to the standby state with a low-level input, and to the operating state with a high-level input.
- The control input switches the forward/reverse mode.

Pin Description

| Pin No.                | Pin Name                         | Description   | Equivalent Circuit |
|------------------------|----------------------------------|---|--------------------|
| 1<br>2<br>3<br>4       | OUT1<br>OUT2<br>OUT3<br>OUT4     | 1-4 : Output pins<br>H-bridge type output pins<br>Pins 1 and 2 are paired and pins 3 and 4 are paired.  |                    |
| 5<br>16                | RFG2<br>RFG1                     | 5, 16 : Current sensing resistor connection pins<br>Connect the current sensing resistor between these pins and ground to detect the output currents for constant current control.<br>Pin 16 corresponds to the output from pins 1 and 2 and pin 5 to the output from pins 1 and 2. |                    |
| 6<br>7<br>8<br>9<br>10 | IN3<br>IN4<br>IN1<br>IN2<br>CONT | Logic input pins  |                    |
| 11                     | GND                              | Ground  |                    |
| 12                     | COMPIN                           | Photo reflector position sensing comparator input   |                    |
| 13                     | COMPOUT                          | Photo reflector position sensing comparator output<br>This pin serves as an open-collector output of the NPN transistor.  |                    |

Continued on next page.

# LV8080LP

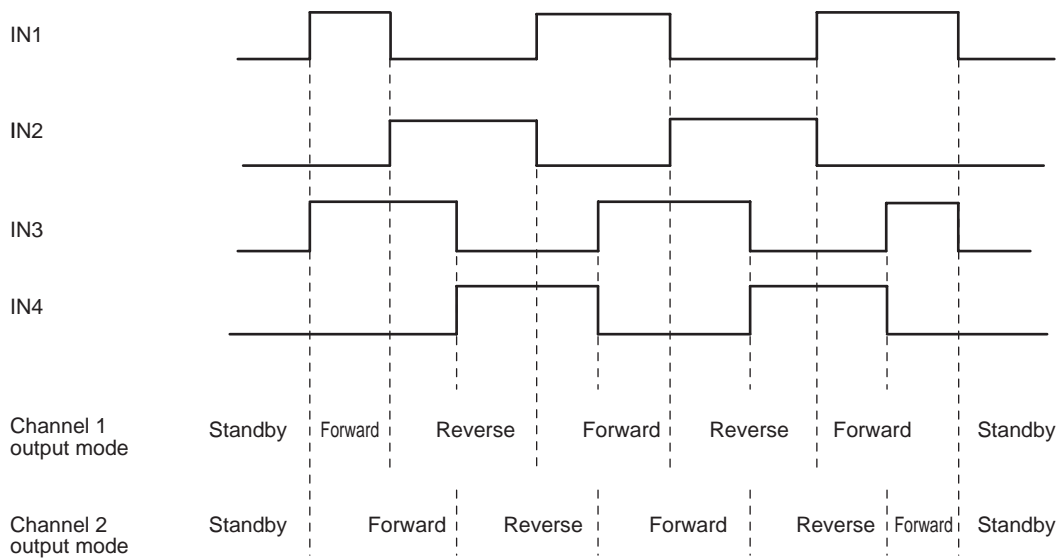
Continued from preceding page.

| Pin No. | Pin Name        | Description  | Equivalent Circuit |
|---------|-----------------|--|--------------------|
| 14      | PI/PR           | <p>A switch, with NMOS open-drain output, used to turn on/off the power supply of the position sensor unit. When using this switch, connect the position sensor unit between this pin and the V<sub>CC</sub> pin.</p> <p>On/off control of this switch is accomplished by CONT pin. Setting the CONT pin high turns on the switch.</p> |                    |
| 15      | V <sub>CC</sub> | Power supply pin   |                    |

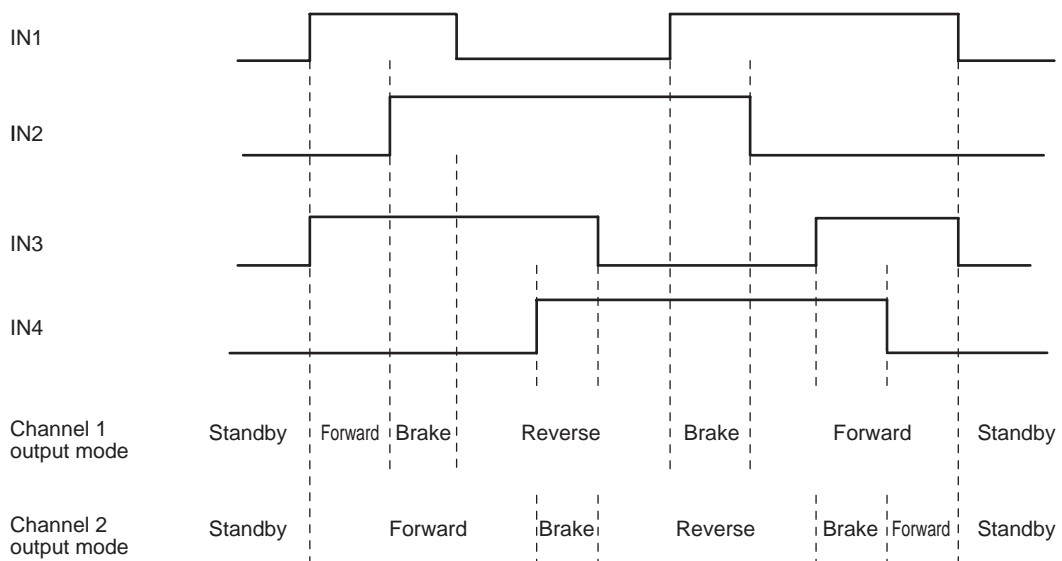
## Timing Chart

### (1) Stepper motor timing chart

Timing chart for 2-phase drive

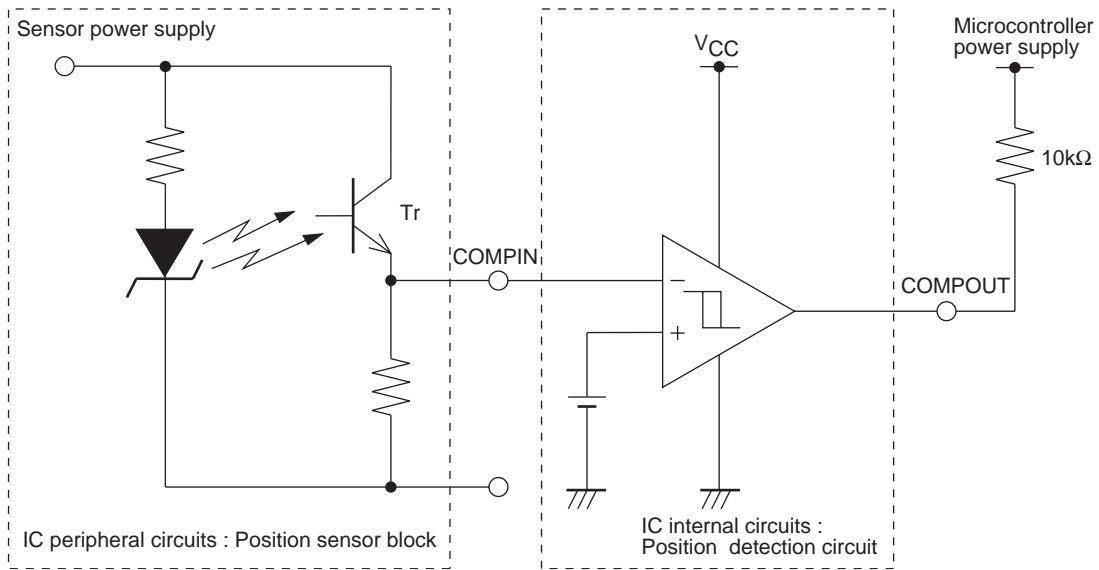


### (2) Timing chart for 1-2 phase drive (Slow decay mode)

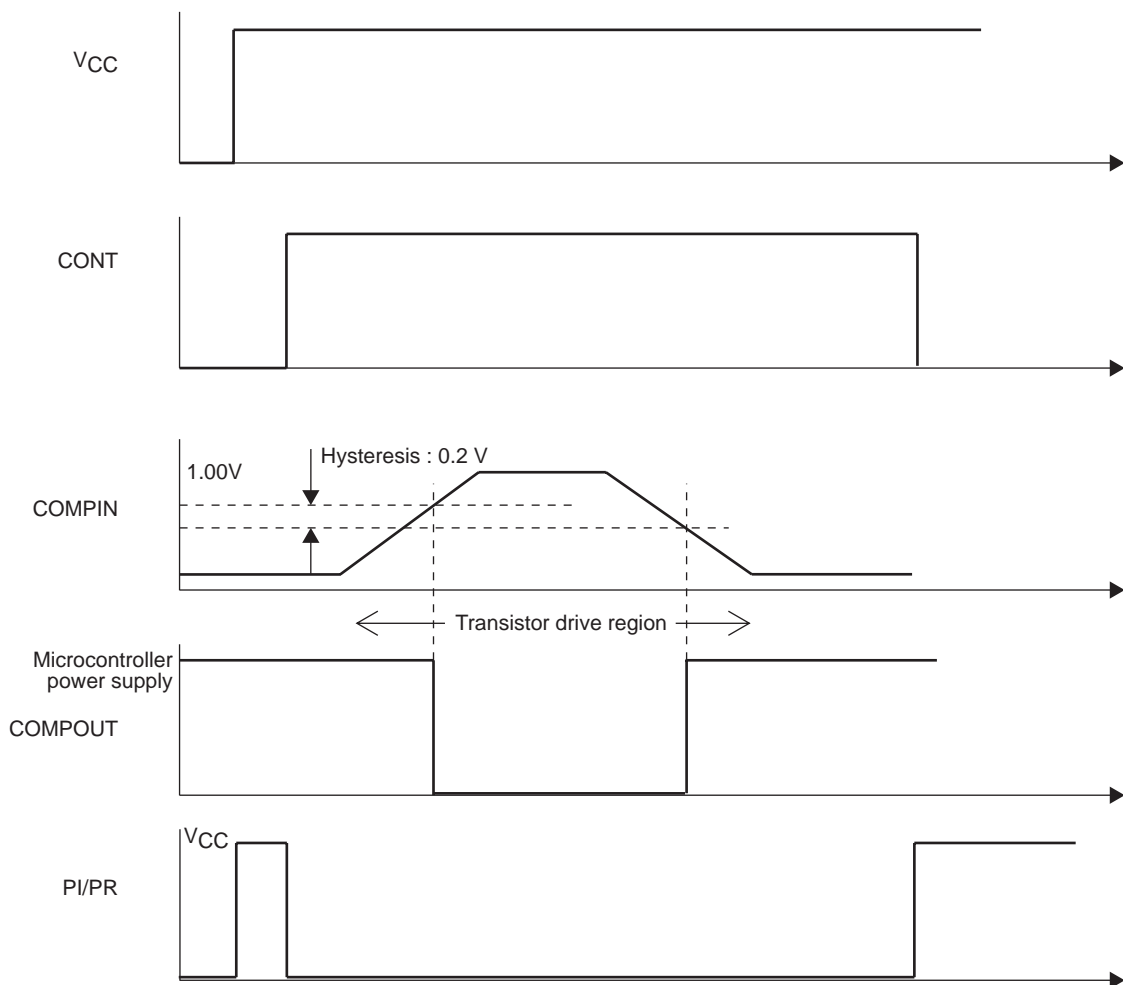


Photosensor Position Detection Application Circuit Example

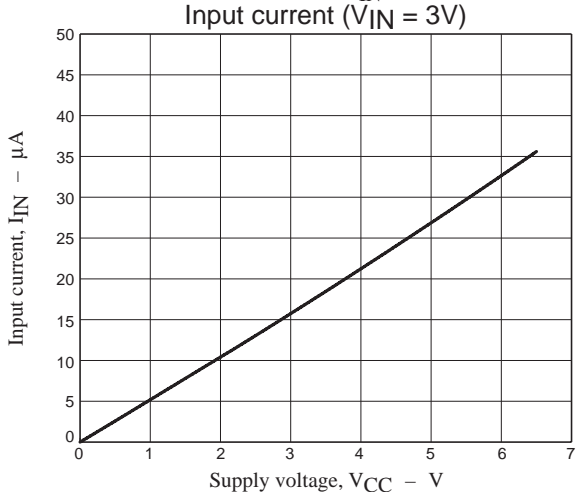
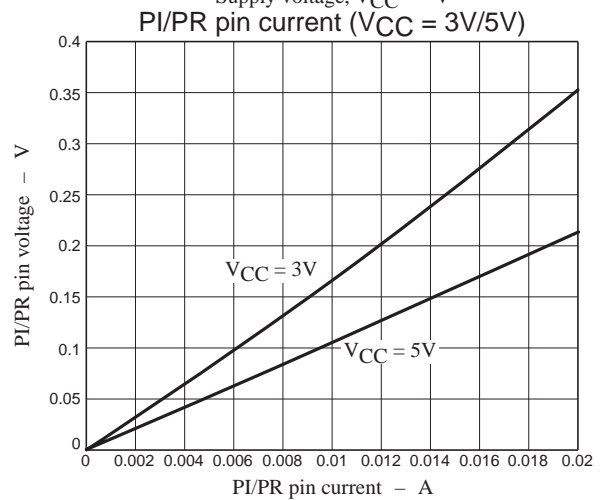
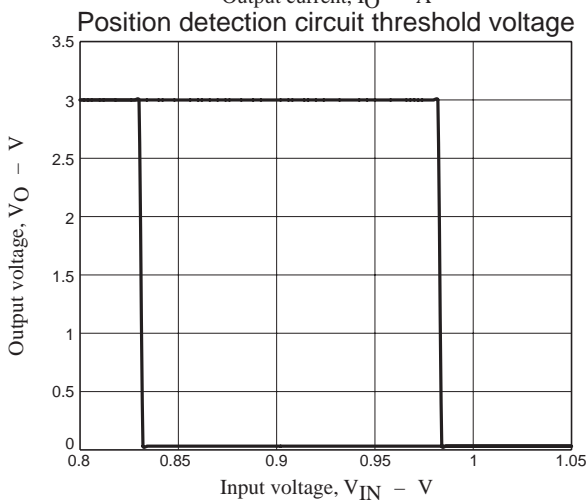
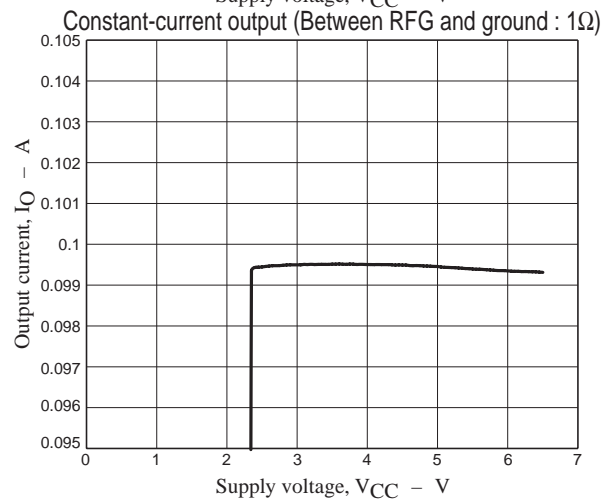
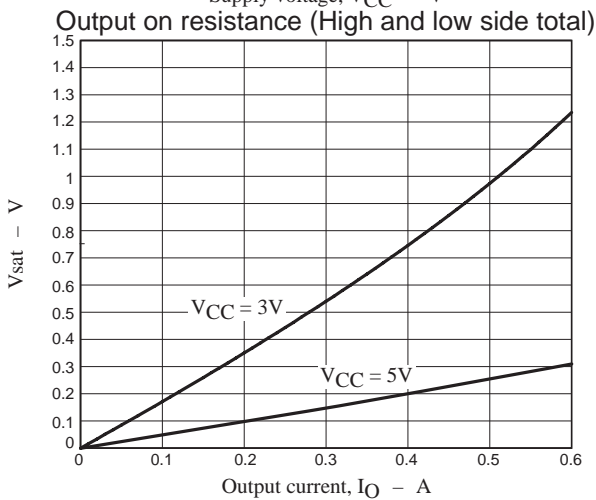
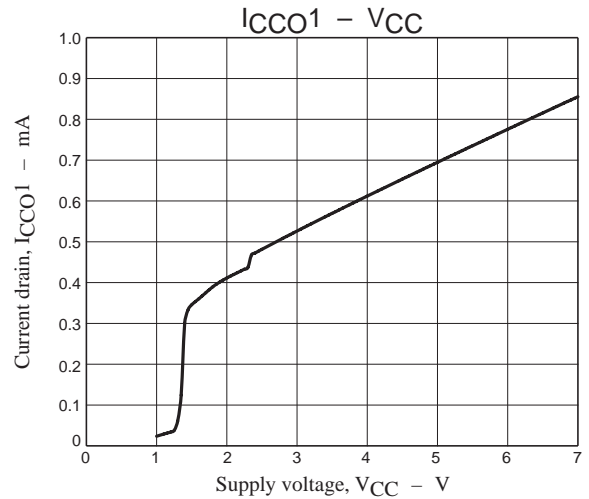
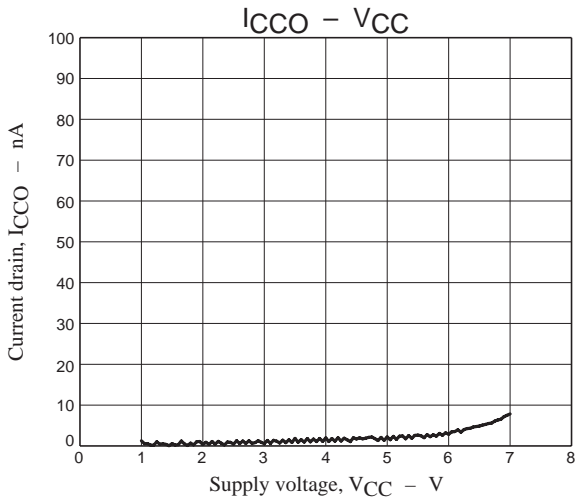
(a) Application circuit



(b) Timing chart



# LV8080LP



- SANYO Semiconductor Co.,Ltd. assumes no responsibility for equipment failures that result from using products at values that exceed, even momentarily, rated values (such as maximum ratings, operating condition ranges, or other parameters) listed in products specifications of any and all SANYO Semiconductor Co.,Ltd. products described or contained herein.
- SANYO Semiconductor Co.,Ltd. strives to supply high-quality high-reliability products, however, any and all semiconductor products fail or malfunction with some probability. It is possible that these probabilistic failures or malfunction could give rise to accidents or events that could endanger human lives, trouble that could give rise to smoke or fire, or accidents that could cause damage to other property. When designing equipment, adopt safety measures so that these kinds of accidents or events cannot occur. Such measures include but are not limited to protective circuits and error prevention circuits for safe design, redundant design, and structural design.
- In the event that any or all SANYO Semiconductor Co.,Ltd. products described or contained herein are controlled under any of applicable local export control laws and regulations, such products may require the export license from the authorities concerned in accordance with the above law.
- No part of this publication may be reproduced or transmitted in any form or by any means, electronic or mechanical, including photocopying and recording, or any information storage or retrieval system, or otherwise, without the prior written consent of SANYO Semiconductor Co.,Ltd.
- Any and all information described or contained herein are subject to change without notice due to product/technology improvement, etc. When designing equipment, refer to the "Delivery Specification" for the SANYO Semiconductor Co.,Ltd. product that you intend to use.
- Information (including circuit diagrams and circuit parameters) herein is for example only; it is not guaranteed for volume production.
- Upon using the technical information or products described herein, neither warranty nor license shall be granted with regard to intellectual property rights or any other rights of SANYO Semiconductor Co.,Ltd. or any third party. SANYO Semiconductor Co.,Ltd. shall not be liable for any claim or suits with regard to a third party's intellectual property rights which has resulted from the use of the technical information and products mentioned above.

This catalog provides information as of October, 2007. Specifications and information herein are subject to change without notice.