

**NEC**

# Preliminary User's Manual

## V850ES/HG2

### 32-Bit Single-Chip Microcontrollers

#### Hardware

---

***μ*PD70F3706**

***μ*PD70F3707**

Document No. U17718EJ1V0UD00 (1st edition)  
Date Published December 2005 N CP(K)

© NEC Electronics Corporation 2005  
Printed in Japan

[MEMO]

**NOTES FOR CMOS DEVICES****① VOLTAGE APPLICATION WAVEFORM AT INPUT PIN**

Waveform distortion due to input noise or a reflected wave may cause malfunction. If the input of the CMOS device stays in the area between  $V_{IL}$  (MAX) and  $V_{IH}$  (MIN) due to noise, etc., the device may malfunction. Take care to prevent chattering noise from entering the device when the input level is fixed, and also in the transition period when the input level passes through the area between  $V_{IL}$  (MAX) and  $V_{IH}$  (MIN).

**② HANDLING OF UNUSED INPUT PINS**

Unconnected CMOS device inputs can be cause of malfunction. If an input pin is unconnected, it is possible that an internal input level may be generated due to noise, etc., causing malfunction. CMOS devices behave differently than Bipolar or NMOS devices. Input levels of CMOS devices must be fixed high or low by using pull-up or pull-down circuitry. Each unused pin should be connected to  $V_{DD}$  or GND via a resistor if there is a possibility that it will be an output pin. All handling related to unused pins must be judged separately for each device and according to related specifications governing the device.

**③ PRECAUTION AGAINST ESD**

A strong electric field, when exposed to a MOS device, can cause destruction of the gate oxide and ultimately degrade the device operation. Steps must be taken to stop generation of static electricity as much as possible, and quickly dissipate it when it has occurred. Environmental control must be adequate. When it is dry, a humidifier should be used. It is recommended to avoid using insulators that easily build up static electricity. Semiconductor devices must be stored and transported in an anti-static container, static shielding bag or conductive material. All test and measurement tools including work benches and floors should be grounded. The operator should be grounded using a wrist strap. Semiconductor devices must not be touched with bare hands. Similar precautions need to be taken for PW boards with mounted semiconductor devices.

**④ STATUS BEFORE INITIALIZATION**

Power-on does not necessarily define the initial status of a MOS device. Immediately after the power source is turned ON, devices with reset functions have not yet been initialized. Hence, power-on does not guarantee output pin levels, I/O settings or contents of registers. A device is not initialized until the reset signal is received. A reset operation must be executed immediately after power-on for devices with reset functions.

**⑤ POWER ON/OFF SEQUENCE**

In the case of a device that uses different power supplies for the internal operation and external interface, as a rule, switch on the external power supply after switching on the internal power supply. When switching the power supply off, as a rule, switch off the external power supply and then the internal power supply. Use of the reverse power on/off sequences may result in the application of an overvoltage to the internal elements of the device, causing malfunction and degradation of internal elements due to the passage of an abnormal current.

The correct power on/off sequence must be judged separately for each device and according to related specifications governing the device.

**⑥ INPUT OF SIGNAL DURING POWER OFF STATE**

Do not input signals or an I/O pull-up power supply while the device is not powered. The current injection that results from input of such a signal or I/O pull-up power supply may cause malfunction and the abnormal current that passes in the device at this time may cause degradation of internal elements. Input of signals during the power off state must be judged separately for each device and according to related specifications governing the device.

**MINICUBE is a registered trademark of NEC Electronics Corporation in Japan and Germany.**

- **The information contained in this document is being issued in advance of the production cycle for the product. The parameters for the product may change before final production or NEC Electronics Corporation, at its own discretion, may withdraw the product prior to its production.**
- **Not all products and/or types are available in every country. Please check with an NEC Electronics sales representative for availability and additional information.**
- No part of this document may be copied or reproduced in any form or by any means without the prior written consent of NEC Electronics. NEC Electronics assumes no responsibility for any errors that may appear in this document.
- NEC Electronics does not assume any liability for infringement of patents, copyrights or other intellectual property rights of third parties by or arising from the use of NEC Electronics products listed in this document or any other liability arising from the use of such products. No license, express, implied or otherwise, is granted under any patents, copyrights or other intellectual property rights of NEC Electronics or others.
- Descriptions of circuits, software and other related information in this document are provided for illustrative purposes in semiconductor product operation and application examples. The incorporation of these circuits, software and information in the design of a customer's equipment shall be done under the full responsibility of the customer. NEC Electronics assumes no responsibility for any losses incurred by customers or third parties arising from the use of these circuits, software and information.
- While NEC Electronics endeavors to enhance the quality, reliability and safety of NEC Electronics products, customers agree and acknowledge that the possibility of defects thereof cannot be eliminated entirely. To minimize risks of damage to property or injury (including death) to persons arising from defects in NEC Electronics products, customers must incorporate sufficient safety measures in their design, such as redundancy, fire-containment and anti-failure features.
- NEC Electronics products are classified into the following three quality grades: "Standard", "Special" and "Specific". The "Specific" quality grade applies only to NEC Electronics products developed based on a customer-designated "quality assurance program" for a specific application. The recommended applications of an NEC Electronics products depend on its quality grade, as indicated below. Customers must check the quality grade of each NEC Electronics product before using it in a particular application.
  - "Standard": Computers, office equipment, communications equipment, test and measurement equipment, audio and visual equipment, home electronic appliances, machine tools, personal electronic equipment and industrial robots.
  - "Special": Transportation equipment (automobiles, trains, ships, etc.), traffic control systems, anti-disaster systems, anti-crime systems, safety equipment and medical equipment (not specifically designed for life support).
  - "Specific": Aircraft, aerospace equipment, submersible repeaters, nuclear reactor control systems, life support systems and medical equipment for life support, etc.

The quality grade of NEC Electronics products is "Standard" unless otherwise expressly specified in NEC Electronics data sheets or data books, etc. If customers wish to use NEC Electronics products in applications not intended by NEC Electronics, they must contact an NEC Electronics sales representative in advance to determine NEC Electronics' willingness to support a given application.

(Note)

- (1) "NEC Electronics" as used in this statement means NEC Electronics Corporation and also includes its majority-owned subsidiaries.
- (2) "NEC Electronics products" means any product developed or manufactured by or for NEC Electronics (as defined above).

M5D 02.11-1

## PREFACE

**Readers** This manual is intended for users who wish to understand the functions of the V850ES/HG2 and design application systems using the V850ES/HG2.

**Purpose** This manual is intended to give users an understanding of the hardware functions of the V850ES/HG2 shown in the **Organization** below.

**Organization** This manual is divided into two parts: Hardware (this manual) and Architecture (**V850ES Architecture User's Manual**).

Hardware	Architecture
<ul style="list-style-type: none"> <li>• Pin functions</li> <li>• CPU function</li> <li>• On-chip peripheral functions</li> <li>• Flash memory programming</li> <li>• Electrical specifications (target)</li> </ul>	<ul style="list-style-type: none"> <li>• Data types</li> <li>• Register set</li> <li>• Instruction format and instruction set</li> <li>• Interrupts and exceptions</li> <li>• Pipeline operation</li> </ul>

**How to Read This Manual** It is assumed that the readers of this manual have general knowledge in the fields of electrical engineering, logic circuits, and microcontrollers.

To understand the overall functions of the V850ES/HG2  
→Read this manual according to the **CONTENTS**.

To find the details of a register where the name is known  
→Use **APPENDIX A REGISTER INDEX**.

To understand the details of an instruction function  
→Refer to the **V850ES Architecture User's Manual** available separately.

To know the electrical specifications of the V850ES/HG2  
→See **CHAPTER 26 ELECTRICAL SPECIFICATIONS (TARGET)**.

Register format

→The name of the bit whose number is in angle brackets (<>) in the figure of the register format of each register is defined as a reserved word in the device file.

The “yyy bit of the xxx register” is described as the “xxx.yyy bit” in this manual. Note with caution that if “xxx.yyy” is described as is in a program, however, the compiler/assembler cannot recognize it correctly.

**Conventions**

Data significance:	Higher digits on the left and lower digits on the right
Active low representation:	$\overline{\text{xxx}}$ (overscore over pin or signal name)
Memory map address:	Higher addresses on the top and lower addresses on the bottom
<b>Note:</b>	Footnote for item marked with <b>Note</b> in the text
<b>Caution:</b>	Information requiring particular attention
<b>Remark:</b>	Supplementary information
Numeric representation:	Binary ... xxxx or xxxxB
	Decimal ... xxxx
	Hexadecimal ... xxxxH
Prefix indicating power of 2 (address space, memory capacity):	K (kilo): $2^{10} = 1,024$
	M (mega): $2^{20} = 1,024^2$
	G (giga): $2^{30} = 1,024^3$

**Related Documents**

The related documents indicated in this publication may include preliminary versions. However, preliminary versions are not marked as such.

**Documents related to V850ES/HG2**

Document Name	Document No.
V850ES Architecture User's Manual	U15943E
V850ES/HG2 Hardware User's Manual	This manual

**Documents related to development tools**

Document Name	Document No.	
CA850 Ver. 3.00 C Compiler Package	Operation	U17293E
	C Language	U17291E
	Assembly Language	U17292E
	Link Directives	U17294E
PM+ Ver. 6.00 Project Manager	U17178E	
ID850QB Ver. 3.10 Integrated Debugger	Operation	U17435E
SM850 Ver. 2.50 System Simulator	Operation	U16218E
SM850 Ver. 2.00 or Later System Simulator	External Part User Open Interface Specification	U14873E
RX850 Ver. 3.20 or Later Real-Time OS	Basics	U13430E
	Installation	U17419E
	Technical	U13431E
	Task Debugger	U17420E
RX850 Pro Ver. 3.20 Real-Time OS	Basics	U13773E
	Installation	U17421E
	Technical	U13772E
	Task Debugger	U17422E
AZ850 Ver. 3.30 System Performance Analyzer	U17423E	
PG-FP4 Flash Memory Programmer	U15260E	

## CONTENTS

<b>CHAPTER 1 INTRODUCTION.....</b>	<b>16</b>
<b>1.1 General .....</b>	<b>16</b>
<b>1.2 Features.....</b>	<b>18</b>
<b>1.3 Application Fields.....</b>	<b>18</b>
<b>1.4 Ordering Information.....</b>	<b>19</b>
<b>1.5 Pin Configuration (Top View) .....</b>	<b>20</b>
<b>1.6 Function Block Configuration.....</b>	<b>22</b>
1.6.1 Internal block diagram.....	22
1.6.2 Internal units .....	23
<b>CHAPTER 2 PIN FUNCTIONS .....</b>	<b>25</b>
<b>2.1 Pin Function List.....</b>	<b>25</b>
<b>2.2 Description of Pin Functions.....</b>	<b>30</b>
<b>2.3 Pin I/O Circuit Types and Recommended Connection of Unused Pins.....</b>	<b>37</b>
<b>2.4 Pin I/O Circuits .....</b>	<b>39</b>
<b>2.5 Cautions .....</b>	<b>40</b>
<b>CHAPTER 3 CPU FUNCTION.....</b>	<b>41</b>
<b>3.1 Features.....</b>	<b>41</b>
<b>3.2 CPU Register Set .....</b>	<b>42</b>
3.2.1 Program register set .....	43
3.2.2 System register set .....	44
<b>3.3 Operation Modes .....</b>	<b>50</b>
3.3.1 Specifying operation mode .....	50
<b>3.4 Address Space.....</b>	<b>51</b>
3.4.1 CPU address space.....	51
3.4.2 Wraparound of CPU address space .....	52
3.4.3 Memory map.....	53
3.4.4 Areas .....	55
3.4.5 Recommended use of address space.....	57
3.4.6 Peripheral I/O registers.....	60
3.4.7 Special registers .....	69
3.4.8 Cautions.....	73
<b>CHAPTER 4 PORT FUNCTIONS .....</b>	<b>76</b>
<b>4.1 Features.....</b>	<b>76</b>
<b>4.2 Basic Configuration of Ports.....</b>	<b>76</b>
<b>4.3 Port Functions .....</b>	<b>78</b>
4.3.1 Operation of port function .....	78
4.3.2 Notes on setting port pins .....	79
4.3.3 Port 0 .....	80
4.3.4 Port 1 .....	86
4.3.5 Port 3 .....	90
4.3.6 Port 4 .....	97
4.3.7 Port 5 .....	100



4.3.8	Port 7 .....	106
4.3.9	Port 9 .....	108
4.3.10	Port CM .....	117
4.3.11	Port CS .....	119
4.3.12	Port CT .....	121
4.3.13	Port DL .....	123
4.3.14	Port pins that function alternately as on-chip debug function.....	125
4.3.15	Register settings to use port pins as alternate-function pins.....	126
<b>4.4</b>	<b>Block Diagrams of Port.....</b>	<b>131</b>
<b>4.5</b>	<b>Cautions .....</b>	<b>157</b>
4.5.1	Cautions on setting port pins .....	157
<b>CHAPTER 5 CLOCK GENERATION FUNCTION .....</b>		<b>158</b>
<b>5.1</b>	<b>Overview.....</b>	<b>158</b>
<b>5.2</b>	<b>Configuration.....</b>	<b>159</b>
<b>5.3</b>	<b>Registers .....</b>	<b>161</b>
<b>5.4</b>	<b>Operation.....</b>	<b>166</b>
5.4.1	Operation of each clock.....	166
5.4.2	Clock output function .....	166
<b>5.5</b>	<b>PLL Function.....</b>	<b>167</b>
5.5.1	Overview .....	167
5.5.2	Registers .....	167
5.5.3	Usage.....	171
<b>CHAPTER 6 16-BIT TIMER/EVENT COUNTER P (TMP).....</b>		<b>172</b>
<b>6.1</b>	<b>Overview.....</b>	<b>172</b>
<b>6.2</b>	<b>Functions .....</b>	<b>172</b>
<b>6.3</b>	<b>Configuration.....</b>	<b>173</b>
<b>6.4</b>	<b>Registers .....</b>	<b>175</b>
<b>6.5</b>	<b>Operation.....</b>	<b>189</b>
6.5.1	Interval timer mode (TPnMD2 to TPnMD0 bits = 000).....	190
6.5.2	External event count mode (TPnMD2 to TPnMD0 bits = 001).....	200
6.5.3	External trigger pulse output mode (TPnMD2 to TPnMD0 bits = 010).....	208
6.5.4	One-shot pulse output mode (TPnMD2 to TPnMD0 bits = 011) .....	220
6.5.5	PWM output mode (TPnMD2 to TPnMD0 bits = 100).....	227
6.5.6	Free-running timer mode (TPnMD2 to TPnMD0 bits = 101).....	236
6.5.7	Pulse width measurement mode (TPnMD2 to TPnMD0 bits = 110) .....	253
6.5.8	Timer output operations.....	259
<b>6.6</b>	<b>Timer Tuned Operation Function .....</b>	<b>260</b>
<b>6.7</b>	<b>Selector Function .....</b>	<b>264</b>
<b>6.8</b>	<b>Cautions .....</b>	<b>266</b>
<b>CHAPTER 7 16-BIT TIMER/EVENT COUNTER Q (TMQ).....</b>		<b>267</b>
<b>7.1</b>	<b>Overview.....</b>	<b>267</b>
<b>7.2</b>	<b>Functions .....</b>	<b>267</b>
<b>7.3</b>	<b>Configuration.....</b>	<b>268</b>
<b>7.4</b>	<b>Registers .....</b>	<b>271</b>
<b>7.5</b>	<b>Operation.....</b>	<b>289</b>

7.5.1	Interval timer mode (TQnMD2 to TQnMD0 bits = 000) .....	290
7.5.2	External event count mode (TQnMD2 to TQnMD0 bits = 001) .....	299
7.5.3	External trigger pulse output mode (TQnMD2 to TQnMD0 bits = 010) .....	308
7.5.4	One-shot pulse output mode (TQnMD2 to TQnMD0 bits = 011) .....	321
7.5.5	PWM output mode (TQnMD2 to TQnMD0 bits = 100) .....	330
7.5.6	Free-running timer mode (TQnMD2 to TQnMD0 bits = 101) .....	341
7.5.7	Pulse width measurement mode (TQnMD2 to TQnMD0 bits = 110) .....	361
7.5.8	Triangular wave PWM mode (TQnMD2 to TQnMD0 = 111) .....	367
7.5.9	Timer output operations .....	368
<b>7.6</b>	<b>Timer Tuned Operation Function</b> .....	<b>369</b>
<b>7.7</b>	<b>Cautions</b> .....	<b>373</b>
<b>CHAPTER 8 16-BIT INTERVAL TIMER M (TMM)</b> .....		<b>374</b>
<b>8.1</b>	<b>Overview</b> .....	<b>374</b>
<b>8.2</b>	<b>Configuration</b> .....	<b>375</b>
<b>8.3</b>	<b>Register</b> .....	<b>376</b>
<b>8.4</b>	<b>Operation</b> .....	<b>377</b>
8.4.1	Interval timer mode .....	377
8.4.2	Cautions .....	381
<b>CHAPTER 9 WATCH TIMER FUNCTIONS</b> .....		<b>382</b>
<b>9.1</b>	<b>Functions</b> .....	<b>382</b>
<b>9.2</b>	<b>Configuration</b> .....	<b>383</b>
<b>9.3</b>	<b>Registers</b> .....	<b>385</b>
<b>9.4</b>	<b>Operation</b> .....	<b>389</b>
9.4.1	Operation as watch timer .....	389
9.4.2	Operation as interval timer .....	390
9.4.3	Cautions .....	391
<b>CHAPTER 10 FUNCTIONS OF WATCHDOG TIMER 2</b> .....		<b>392</b>
<b>10.1</b>	<b>Functions</b> .....	<b>392</b>
<b>10.2</b>	<b>Configuration</b> .....	<b>393</b>
<b>10.3</b>	<b>Registers</b> .....	<b>394</b>
<b>10.4</b>	<b>Operation</b> .....	<b>397</b>
<b>CHAPTER 11 A/D CONVERTER</b> .....		<b>398</b>
<b>11.1</b>	<b>Overview</b> .....	<b>398</b>
<b>11.2</b>	<b>Functions</b> .....	<b>398</b>
<b>11.3</b>	<b>Configuration</b> .....	<b>399</b>
<b>11.4</b>	<b>Registers</b> .....	<b>402</b>
<b>11.5</b>	<b>Operation</b> .....	<b>410</b>
11.5.1	Basic operation .....	410
11.5.2	Trigger mode .....	411
11.5.3	Operation mode .....	413
11.5.4	Power-fail compare mode .....	417
<b>11.6</b>	<b>Cautions</b> .....	<b>422</b>
<b>11.7</b>	<b>How to Read A/D Converter Characteristics Table</b> .....	<b>426</b>

<b>CHAPTER 12 ASYNCHRONOUS SERIAL INTERFACE A (UARTA)</b> .....	<b>430</b>
<b>12.1 Features</b> .....	<b>430</b>
<b>12.2 Configuration</b> .....	<b>431</b>
<b>12.3 Registers</b> .....	<b>433</b>
<b>12.4 Interrupt Request Signals</b> .....	<b>439</b>
<b>12.5 Operation</b> .....	<b>440</b>
12.5.1 Data format.....	440
12.5.2 SBF transmission/reception format.....	442
12.5.3 SBF transmission .....	444
12.5.4 SBF reception.....	445
12.5.5 UART transmission.....	446
12.5.6 Continuous transmission procedure .....	447
12.5.7 UART reception .....	449
12.5.8 Reception errors .....	450
12.5.9 Parity types and operations .....	452
12.5.10 Receive data noise filter .....	453
<b>12.6 Dedicated Baud Rate Generator</b> .....	<b>454</b>
<b>12.7 Cautions</b> .....	<b>462</b>
<b>CHAPTER 13 3-WIRE VARIABLE-LENGTH SERIAL I/O (CSIB)</b> .....	<b>463</b>
<b>13.1 Features</b> .....	<b>463</b>
<b>13.2 Configuration</b> .....	<b>464</b>
<b>13.3 Registers</b> .....	<b>466</b>
<b>13.4 Interrupt Request Signals</b> .....	<b>473</b>
<b>13.5 Operation</b> .....	<b>474</b>
13.5.1 Single transfer mode (master mode, transmission/reception mode).....	474
13.5.2 Single transfer mode (master mode, reception mode).....	475
13.5.3 Continuous mode (master mode, transmission/reception mode).....	476
13.5.4 Continuous mode (master mode, reception mode).....	477
13.5.5 Continuous reception mode (error).....	478
13.5.6 Continuous mode (slave mode, transmission/reception mode) .....	479
13.5.7 Continuous mode (slave mode, reception mode) .....	480
13.5.8 Clock timing .....	481
<b>13.6 Output Pin Status with Operation Disabled</b> .....	<b>483</b>
<b>13.7 Operation Flow</b> .....	<b>484</b>
<b>13.8 Baud Rate Generator</b> .....	<b>490</b>
13.8.1 Baud rate generation .....	491
<b>13.9 Cautions</b> .....	<b>492</b>
<b>CHAPTER 14 DMA FUNCTION (DMA CONTROLLER)</b> .....	<b>493</b>
<b>14.1 Features</b> .....	<b>493</b>
<b>14.2 Configuration</b> .....	<b>494</b>
<b>14.3 Registers</b> .....	<b>495</b>
<b>14.4 Transfer Targets</b> .....	<b>503</b>
<b>14.5 Transfer Modes</b> .....	<b>503</b>
<b>14.6 Transfer Types</b> .....	<b>504</b>
<b>14.7 DMA Channel Priorities</b> .....	<b>505</b>
<b>14.8 Time Related to DMA Transfer</b> .....	<b>505</b>

14.9	<b>DMA Transfer Start Factors</b> .....	506
14.10	<b>DMA Abort Factors</b> .....	507
14.11	<b>End of DMA Transfer</b> .....	507
14.12	<b>Operation Timing</b> .....	507
14.13	<b>Cautions</b> .....	512
<b>CHAPTER 15 INTERRUPT/EXCEPTION PROCESSING FUNCTION</b> .....		<b>516</b>
15.1	<b>Features</b> .....	<b>516</b>
15.2	<b>Non-Maskable Interrupts</b> .....	<b>520</b>
15.2.1	Operation.....	522
15.2.2	Restore .....	523
15.2.3	NP flag.....	524
15.3	<b>Maskable Interrupts</b> .....	<b>525</b>
15.3.1	Operation.....	525
15.3.2	Restore .....	527
15.3.3	Priorities of maskable interrupts.....	528
15.3.4	Interrupt control register (xxICn) .....	532
15.3.5	Interrupt mask registers 0 to 3 (IMR0 to IMR3).....	534
15.3.6	In-service priority register (ISPR).....	536
15.3.7	ID flag .....	537
15.3.8	Watchdog timer mode register 2 (WDTM2) .....	537
15.4	<b>Software Exception</b> .....	<b>538</b>
15.4.1	Operation.....	538
15.4.2	Restore .....	539
15.4.3	EP flag .....	540
15.5	<b>Exception Trap</b> .....	<b>541</b>
15.5.1	Illegal opcode definition .....	541
15.5.2	Debug trap.....	543
15.6	<b>External Interrupt Request Input Pins (NMI and INTP0 to INTP10)</b> .....	<b>545</b>
15.6.1	Noise elimination .....	545
15.6.2	Edge detection.....	545
15.7	<b>Interrupt Acknowledge Time of CPU</b> .....	<b>552</b>
15.8	<b>Periods in Which Interrupts Are Not Acknowledged by CPU</b> .....	<b>553</b>
15.9	<b>Cautions</b> .....	<b>553</b>
<b>CHAPTER 16 KEY INTERRUPT FUNCTION</b> .....		<b>554</b>
16.1	<b>Function</b> .....	<b>554</b>
16.2	<b>Register</b> .....	<b>555</b>
16.3	<b>Cautions</b> .....	<b>555</b>
<b>CHAPTER 17 STANDBY FUNCTION</b> .....		<b>556</b>
17.1	<b>Overview</b> .....	<b>556</b>
17.2	<b>Registers</b> .....	<b>558</b>
17.3	<b>HALT Mode</b> .....	<b>561</b>
17.3.1	Setting and operation status .....	561
17.3.2	Releasing HALT mode.....	561
17.4	<b>IDLE1 Mode</b> .....	<b>563</b>
17.4.1	Setting and operation status .....	563

17.4.2	Releasing IDLE1 mode.....	563
<b>17.5</b>	<b>IDLE2 Mode.....</b>	<b>565</b>
17.5.1	Setting and operation status.....	565
17.5.2	Releasing IDLE2 mode.....	565
17.5.3	Securing setup time when releasing IDLE2 mode.....	567
<b>17.6</b>	<b>STOP Mode.....</b>	<b>568</b>
17.6.1	Setting and operation status.....	568
17.6.2	Releasing STOP mode.....	568
17.6.3	Securing oscillation stabilization time when releasing STOP mode.....	570
<b>17.7</b>	<b>Subclock Operation Mode.....</b>	<b>571</b>
17.7.1	Setting and operation status.....	571
17.7.2	Releasing subclock operation mode.....	571
<b>17.8</b>	<b>Sub-IDLE Mode.....</b>	<b>573</b>
17.8.1	Setting and operation status.....	573
17.8.2	Releasing sub-IDLE mode.....	574
<b>CHAPTER 18</b>	<b>RESET FUNCTIONS.....</b>	<b>576</b>
<b>18.1</b>	<b>Overview.....</b>	<b>576</b>
<b>18.2</b>	<b>Registers to Check Reset Source.....</b>	<b>577</b>
<b>18.3</b>	<b>Operation.....</b>	<b>578</b>
18.3.1	Reset operation via $\overline{\text{RESET}}$ pin.....	578
18.3.2	Reset operation by watchdog timer 2.....	580
18.3.3	Reset operation by power-on clear circuit.....	581
18.3.4	Reset operation by low-voltage detector.....	581
18.3.5	Reset operation by clock monitor.....	581
<b>CHAPTER 19</b>	<b>CLOCK MONITOR.....</b>	<b>582</b>
<b>19.1</b>	<b>Functions.....</b>	<b>582</b>
<b>19.2</b>	<b>Configuration.....</b>	<b>582</b>
<b>19.3</b>	<b>Register.....</b>	<b>583</b>
<b>19.4</b>	<b>Operation.....</b>	<b>584</b>
<b>CHAPTER 20</b>	<b>POWER-ON CLEAR CIRCUIT.....</b>	<b>587</b>
<b>20.1</b>	<b>Function.....</b>	<b>587</b>
<b>20.2</b>	<b>Configuration.....</b>	<b>587</b>
<b>20.3</b>	<b>Operation.....</b>	<b>588</b>
<b>CHAPTER 21</b>	<b>LOW-VOLTAGE DETECTOR.....</b>	<b>589</b>
<b>21.1</b>	<b>Functions.....</b>	<b>589</b>
<b>21.2</b>	<b>Configuration.....</b>	<b>589</b>
<b>21.3</b>	<b>Registers.....</b>	<b>590</b>
<b>21.4</b>	<b>Operation.....</b>	<b>592</b>
21.4.1	To use for internal reset signal.....	592
21.4.2	To use for interrupt.....	594
<b>21.5</b>	<b>RAM Retention Voltage Detection Operation.....</b>	<b>595</b>
<b>21.6</b>	<b>Emulation Function.....</b>	<b>596</b>
<b>CHAPTER 22</b>	<b>REGULATOR.....</b>	<b>597</b>

22.1	Overview.....	597
22.2	Operation.....	598
<b>CHAPTER 23 FLASH MEMORY.....</b>		<b>599</b>
23.1	<b>Features.....</b>	<b>599</b>
23.1.1	Erasure unit.....	600
23.2	<b>Rewriting by Dedicated Flash Programmer.....</b>	<b>601</b>
23.2.1	Programming environment.....	601
23.2.2	Communication mode.....	602
23.2.3	Flash memory control.....	607
23.2.4	Selection of communication mode.....	608
23.2.5	Communication commands.....	609
23.2.6	Pin connection.....	610
23.2.7	Recommended circuit example for writing.....	614
23.3	<b>Rewriting by Self Programming.....</b>	<b>615</b>
23.3.1	Overview.....	615
23.3.2	Features.....	616
23.3.3	Standard self programming flow.....	617
23.3.4	Flash functions.....	618
23.3.5	Pin processing.....	618
23.3.6	Internal resources used.....	619
<b>CHAPTER 24 OPTION BYTE FUNCTION.....</b>		<b>620</b>
<b>CHAPTER 25 ON-CHIP DEBUG FUNCTION.....</b>		<b>621</b>
25.1	<b>Features.....</b>	<b>621</b>
25.2	<b>Connection Circuit Example.....</b>	<b>622</b>
25.3	<b>Interface Signals.....</b>	<b>623</b>
25.4	<b>Register.....</b>	<b>625</b>
25.5	<b>Operation.....</b>	<b>626</b>
25.6	<b>ROM Security Function.....</b>	<b>627</b>
25.6.1	Security ID.....	627
25.6.2	Setting.....	628
25.7	<b>Cautions.....</b>	<b>629</b>
<b>CHAPTER 26 ELECTRICAL SPECIFICATIONS (TARGET).....</b>		<b>630</b>
26.1	<b>Absolute Maximum Ratings.....</b>	<b>630</b>
26.2	<b>Capacitance.....</b>	<b>632</b>
26.3	<b>Operating Conditions.....</b>	<b>632</b>
26.4	<b>Oscillator Characteristics.....</b>	<b>633</b>
26.4.1	Main clock oscillator characteristics.....	633
26.4.2	Subclock oscillator characteristics.....	634
26.4.3	PLL characteristics.....	635
26.4.4	Internal oscillator characteristics.....	635
26.5	<b>Voltage Regulator Characteristics.....</b>	<b>635</b>
26.6	<b>DC Characteristics.....</b>	<b>636</b>
26.6.1	I/O level.....	636
26.6.2	Pin leakage current.....	637

26.6.3 Supply current ..... 638

**26.7 Data Retention Characteristics ..... 639**

**26.8 AC Characteristics ..... 640**

26.8.1 CLKOUT output timing ..... 641

**26.9 Basic Operation ..... 642**

**26.10 Flash Memory Programming Characteristics ..... 649**

**CHAPTER 27 PACKAGE DRAWING ..... 650**

**APPENDIX A REGISTER INDEX ..... 651**

**APPENDIX B INSTRUCTION SET LIST ..... 660**

**B.1 Conventions ..... 660**

**B.2 Instruction Set (in Alphabetical Order) ..... 663**

## CHAPTER 1 INTRODUCTION

The V850ES/HG2 is one of the products in the NEC Electronics V850 Series of single-chip microcontrollers designed for low-power operation for real-time control applications.

### 1.1 General

The V850ES/HG2 is a 32-bit single-chip microcontroller that includes the V850ES CPU core and peripheral functions such as ROM/RAM, a timer/counter, serial interfaces, and an A/D converter.

In addition to high real-time response characteristics and 1-clock-pitch basic instructions, the V850ES/HG2 features multiply instructions, saturated operation instructions, bit manipulation instructions, etc., realized by a hardware multiplier, as optimum instructions for digital servo control applications.

Table 1-1 lists the products of the V850ES/HG2.



Table 1-1. V850ES/HG2 Product List

Part Number		$\mu$ PD70F3706	$\mu$ PD70F3707
Internal memory	Flash memory	128 KB	256 KB
	RAM	12 KB	
Memory space	Logical space	64 MB	
General-purpose register		32 bits $\times$ 32 registers	
Main clock (oscillation frequency)		Ceramic/crystal/external clock <ul style="list-style-type: none"> <li>• In PLL mode: <math>f_x = 4</math> to 5 MHz</li> <li>• In clock through mode: <math>f_x = 4</math> to 5 MHz</li> </ul>	
Subclock (oscillation frequency)		Crystal/external clock: $f_{XT} = 32.768$ kHz RC oscillation: 20 kHz	
Internal oscillator		$f_R = 200$ kHz (TYP.)	
Minimum instruction execution time		50 ns (main clock ( $f_{XX}$ ) = 20 MHz operation)	
DSP function		$32 \times 32 = 64$ : 200 to 250 ns (at 20 MHz) $32 \times 32 + 32 = 32$ : 300 ns (at 20 MHz) $16 \times 16 = 32$ : 50 to 100 ns (at 20 MHz) $16 \times 16 + 32 = 32$ : 150 ns (at 20 MHz)	
I/O port		I/O: 84	
Timer		16-bit timer/event counter P: 4 channels 16-bit timer/event counter Q: 2 channels 16-bit interval timer M: 1 channel Watchdog timer 2: 1 channel Watch timer: 1 channel	
A/D converter		10-bit resolution $\times$ 16 channels	
Serial interface		CSIB: 2 channels UARTA (for LIN): 3 channels	
DMA controller		4 channels (transfer target: on-chip peripheral I/O, internal RAM)	
Interrupt source		External: 12 (12) <sup>Note</sup> , internal: 43	
Power save function		HALT/IDLE1/IDLE2/STOP/subclock/sub-IDLE mode	
Reset		$\overline{\text{RESET}}$ pin input, watchdog timer 2 (WDT2), clock monitor (CLM), POC circuit, low-voltage detector (LVI)	
On-chip debug function		Provided (RUN/break)	
Operating power supply voltage		3.5 to 5.5 V (A/D converter: 4.0 to 5.5 V)	
Operating ambient temperature		-40 to +85°C	
Package		100-pin plastic LQFP (fine pitch) (14 $\times$ 14 mm)	

**Note** The figure in parentheses indicates the number of external interrupts that can release STOP mode.

## 1.2 Features

- Minimum instruction execution time: 50 ns (operating with main clock (f<sub>xx</sub>) of 20 MHz)
- General-purpose registers: 32 bits × 32 registers
- CPU features:
  - Signed multiplication (16 × 16 → 32): 1 to 2 clocks
  - Signed multiplication (32 × 32 → 64): 1 to 5 clocks
  - Saturated operations (overflow and underflow detection functions included)
  - 32-bit shift instruction: 1 clock
  - Bit manipulation instructions
  - Load/store instructions with long/short format
- Memory space: 64 MB of linear address space (for programs and data)
  - Internal memory:
    - RAM: 12 KB
    - Flash memory: 128 KB/256 KB (see **Table 1-1**)
- Interrupts and exceptions:
  - Non-maskable interrupts: 2 sources
  - Maskable interrupts: 53 sources
  - Software exceptions: 32 sources
  - Exception trap: 2 sources
- I/O lines: I/O ports: 84
- Timer function:
  - 16-bit interval timer M (TMM): 1 channel
  - 16-bit timer/event counter P (TMP): 4 channels
  - 16-bit timer/event counter Q (TMQ): 2 channels
  - Watch timer: 1 channel
  - Watchdog timer 2: 1 channel
- Serial interface:
  - Asynchronous serial interface A (UARTA)
  - 3-wire variable-length serial interface B (CSIB)
    - UARTA (supporting LIN): 3 channels
    - CSIB: 2 channels
- A/D converter: 10-bit resolution: 16 channels
- DMA controller: 4 channels
- On-chip debug function: JTAG interface
- Clock generator:
  - During main clock or subclock operation
  - 7-level CPU clock (f<sub>xx</sub>, f<sub>xx</sub>/2, f<sub>xx</sub>/4, f<sub>xx</sub>/8, f<sub>xx</sub>/16, f<sub>xx</sub>/32, f<sub>XT</sub>)
  - Clock-through mode/PLL mode selectable
- Internal oscillation clock: 200 kHz (TYP.)
- Power-save functions: HALT/IDLE1/IDLE2/STOP/subclock/sub-IDLE mode
- Package: 100-pin plastic LQFP (fine pitch) (14 × 14)

## 1.3 Application Fields

Consumer devices

## 1.4 Ordering Information

Part Number	Package	On-Chip Flash Memory
$\mu$ PD70F3706GC-8EA-A	100-pin plastic LQFP (fine pitch) (14 × 14)	128 KB
$\mu$ PD70F3707GC-8EA-A	100-pin plastic LQFP (fine pitch) (14 × 14)	256 KB

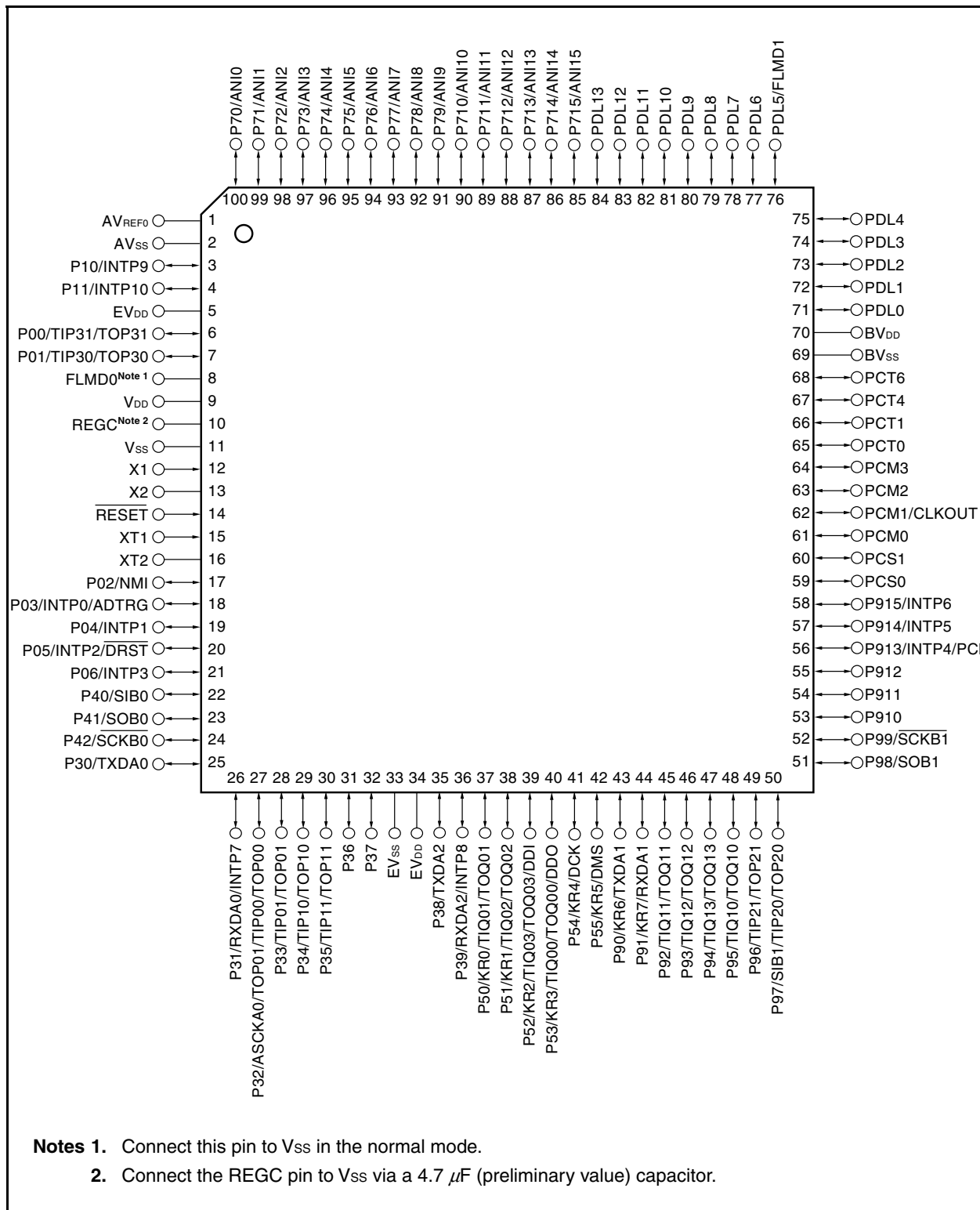
**Remark** Products with -A at the end of the part number are lead-free products.

### 1.5 Pin Configuration (Top View)

100-pin plastic LQFP (fine pitch) (14 × 14)

μPD70F3706GC-8EA-A

μPD70F3707GC-8EA-A

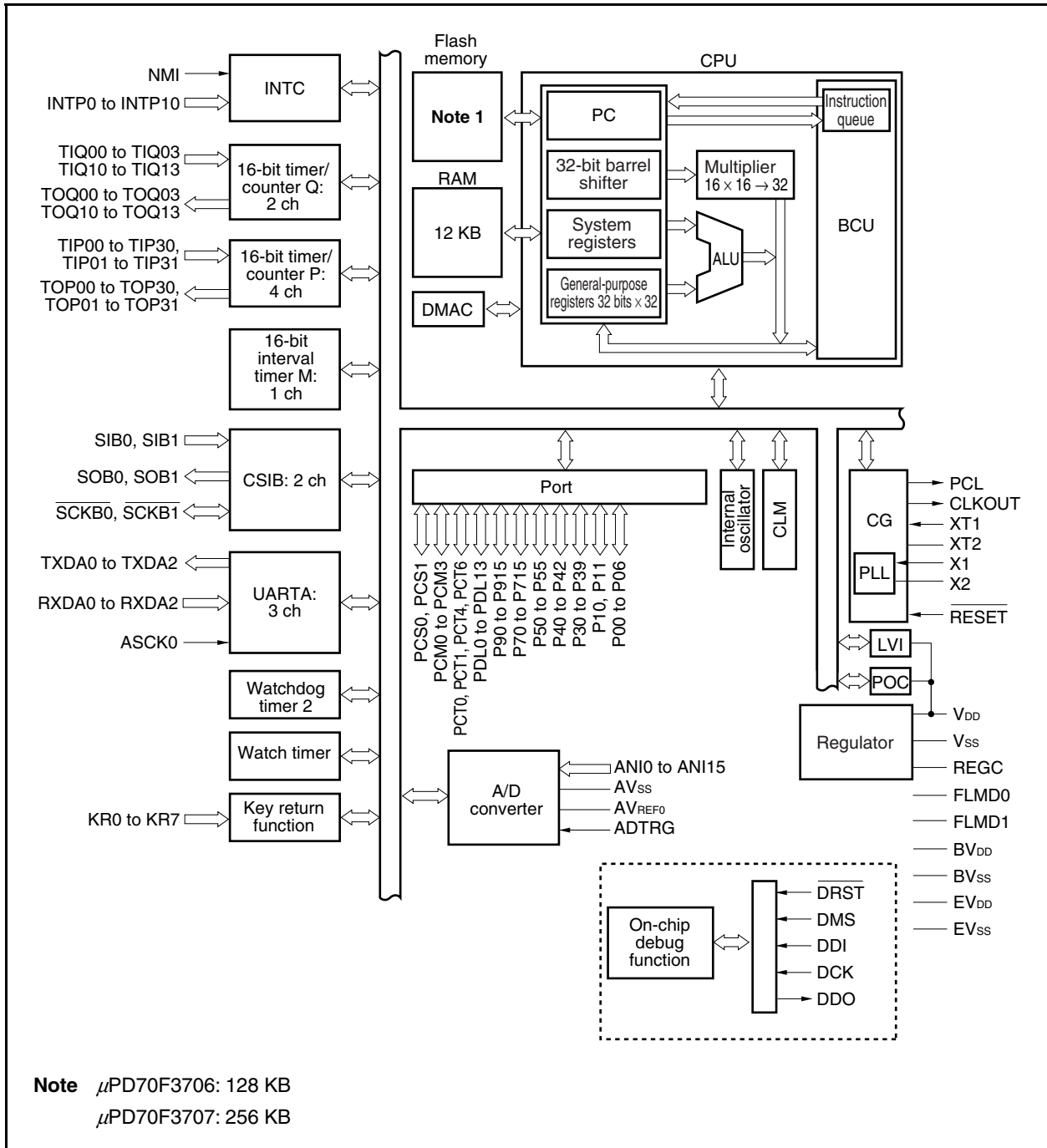


**Pin identification**

ADTRG:	A/D trigger input	PCS0, PCS1:	Port CS
ANI0 to ANI15:	Analog input	PCT0, PCT1,	
ASCKA0:	Asynchronous serial clock	PCT4, PCT6:	Port CT
AV <sub>REF0</sub> :	Analog reference voltage	PDL0 to PDL13:	Port DL
AV <sub>SS</sub> :	Analog V <sub>ss</sub>	REGC:	Regulator control
BV <sub>DD</sub> :	Power supply for bus interface	RESET:	Reset
BV <sub>SS</sub> :	Ground for bus interface	RXDA0 to RXDA2:	Receive data
CLKOUT:	Clock output	SCKB0, SCKB1:	Serial clock
DCK:	Debug clock	SIB0, SIB1:	Serial input
DDI:	Debug data input	SOB0, SOB1:	Serial output
DDO:	Debug data output	TIP00, TIP01,	
DMS:	Debug mode select	TIP10, TIP11,	
DRST:	Debug reset	TIP20, TIP21,	
EV <sub>DD</sub> :	Power supply for port	TIP30, TIP31,	
EV <sub>SS</sub> :	Ground for port	TIQ00 to TIQ03,	
FLMD0, FLMD1:	Flash programming mode	TIQ10 to TIQ13:	Timer input
INTP0 to INTP10:	External interrupt input	TOP00, TOP01,	
KR0 to KR7:	Key return	TOP10, TOP11,	
NMI:	Non-maskable interrupt request	TOP20, TOP21,	
P00 to P06:	Port 0	TOP30, TOP31,	
P10, P11:	Port 1	TOQ00 to TOQ03,	
P30 to P39:	Port 3	TOQ10 to TOQ13:	Timer output
P40 to P42:	Port 4	TXDA0 to TXDA2:	Transmit data
P50 to P55:	Port 5	V <sub>DD</sub> :	Power supply
P70 to P715:	Port 7	V <sub>SS</sub> :	Ground
P90 to P915:	Port 9	X1, X2:	Crystal for main clock
PCL:	Programmable clock output	XT1, XT2:	Crystal for subclock
PCM0 to PCM3:	Port CM		

1.6 Function Block Configuration

1.6.1 Internal block diagram



## 1.6.2 Internal units

### (1) CPU

The CPU uses five-stage pipeline control to enable single-clock execution of address calculations, arithmetic logic operations, data transfers, and almost all other instruction processing.

Other dedicated on-chip hardware, such as a multiplier (16 bits  $\times$  16 bits  $\rightarrow$  32 bits) and a barrel shifter (32 bits) contribute to faster complex processing.

### (2) Bus control unit (BCU)

The BCU controls the internal buses.

### (3) ROM

This is a 256 KB/128 KB flash memory mapped to addresses 0000000H to 003FFFFH/0000000H to 001FFFFH. It can be accessed from the CPU in one clock during instruction fetch.

### (4) RAM

This is a 12 KB RAM mapped to addresses 3FFC000H to 3FFEFFFH. It can be accessed from the CPU in one clock during data access.

### (5) Interrupt controller (INTC)

This controller handles hardware interrupt requests (NMI, INTP0 to INTP10) from on-chip peripheral hardware and external hardware. Eight levels of interrupt priorities can be specified for these interrupt requests, and multiple servicing control can be performed.

### (6) Clock generator (CG)

A main clock oscillator that generates the main clock oscillation frequency ( $f_x$ ) and a subclock oscillator that generates the subclock oscillation frequency ( $f_{XT}$ ) are available. As the main clock frequency ( $f_{XX}$ ),  $f_x$  is used as is in the clock-through mode and is multiplied by four in the PLL mode.

The CPU clock frequency ( $f_{CPU}$ ) can be selected from seven types:  $f_{XX}$ ,  $f_{XX}/2$ ,  $f_{XX}/4$ ,  $f_{XX}/8$ ,  $f_{XX}/16$ ,  $f_{XX}/32$ , and  $f_{XT}$ .

### (7) Internal oscillator

An internal oscillator is provided on chip. The oscillation frequency is 200 kHz (TYP.). An internal oscillator supplies the clock for watchdog timer 2 and timer M.

### (8) Timer/counter

Four-channel 16-bit timer/event counter P (TMP), two-channel 16-bit timer/event counter Q (TMQ), and one-channel 16-bit interval timer M (TMM) are provided on chip.

### (9) Watch timer

This timer counts the reference time period (0.5 s) for counting the clock (the 32.768 kHz from the subclock or the 32.768 kHz  $f_{BRG}$  from prescaler 3). The watch timer can also be used as an interval timer for the main clock.

**(10) Watchdog timer 2**

A watchdog timer is provided on chip to detect inadvertent program loops, system abnormalities, etc.

Either the internal oscillation clock or the main clock can be selected as the source clock.

Watchdog timer 2 generates a non-maskable interrupt request signal (INTWDT2) or a system reset signal (WDT2RES) after an overflow occurs.

**(11) Serial interface**

The V850ES/HG2 includes three kinds of serial interfaces: asynchronous serial interface A (UARTA) and 3-wire variable-length serial interface B (CSIB).

In the case of UARTA, data is transferred via the TXDA0 to TXDA2 and RXDA0 to RXDA2 pins.

In the case of CSIB, data is transferred via the SOB0, SOB1, SIB0, SIB1,  $\overline{\text{SCKB0}}$ , and  $\overline{\text{SCKB1}}$  pins.

**(12) A/D converter**

This 10-bit A/D converter includes 16 analog input pins. Conversion is performed using the successive approximation method.

**(13) DMA controller**

A 4-channel DMA controller is provided on chip. This controller transfers data between the internal RAM and on-chip peripheral I/O devices in response to interrupt requests sent by on-chip peripheral I/O.

**(14) Key interrupt function**

A key interrupt request signal (INTKR) can be generated by inputting a falling edge to key input pins (8 channels).

**(15) On-chip debug function**

An on-chip debug function that uses the JTAG (Joint Test Action Group) communication specifications is provided. Switching between the normal port function and on-chip debugging function is done with the control pin input level and the on-chip debug mode register (OCDM).

**(16) Ports**

The general-purpose port functions and control pin functions are provided. For details, see **CHAPTER 4 PORT FUNCTIONS**.



## CHAPTER 2 PIN FUNCTIONS

This section explains the names and functions of the pins of the V850ES/HG2.

### 2.1 Pin Function List

Three I/O buffer power supplies,  $AV_{REF0}$ ,  $BV_{DD}$ , and  $EV_{DD}$ , are available. The relationship between the power supplies and the pins is shown below.

**Table 2-1. Pin I/O Buffer Power Supplies**

Power Supply	Corresponding Pin
$AV_{REF0}$	Port 7
$BV_{DD}$	Port CM, port CS, port CT, port DL
$EV_{DD}$	Port 0, port 1, port 3, port 4, port 5, port 9, $\overline{RESET}$

#### (1) Port pins

**Table 2-2. List of Pins (Port Pins) (1/2)**

Pin Name	I/O	Function	Alternate Function
P00	I/O	Port 0 7-bit I/O port Input/output can be specified in 1-bit units.	TIP31/TOP31
P01			TIP30/TOP30
P02			NMI
P03			INTP0/ADTRG
P04			INTP1
P05			INTP2/ $\overline{DRST}$
P06			INTP3
P10	I/O	Port 1 2-bit I/O port Input/output can be specified in 1-bit units.	INTP9
P11			INTP10
P30	I/O	Port 3 10-bit I/O port Input/output can be specified in 1-bit units.	TXDA0
P31			RXDA0/INTP7
P32			ASCKA0/TIP00/TOP00/TOP01
P33			TIP01/TOP01
P34			TIP10/TOP10
P35			TIP11/TOP11
P36			–
P37			–
P38			TXDA2
P39			RXDA2/INTP8
P40	I/O	Port 4 3-bit I/O port Input/output can be specified in 1-bit units.	SIB0
P41			SOB0
P42			$\overline{SCKB0}$

Table 2-2. List of Pins (Port Pins) (2/2)

Pin Name	I/O	Function	Alternate Function
P50	I/O	Port 5 6-bit I/O port Input/output can be specified in 1-bit units.	KR0/TIQ01/TOQ01
P51			KR1/TIQ02/TOQ02
P52			KR2/TIQ03/TOQ03/DDI
P53			KR3/TIQ00/TOQ00/DDO
P54			KR4/DCK
P55			KR5/DMS
P70 to P715	I/O	Port 7 16-bit I/O port Input/output can be specified in 1-bit units.	ANI0 to ANI15
P90	I/O	Port 9 16-bit I/O port Input/output can be specified in 1-bit units.	KR6/TXDA1
P91			KR7/RXDA1
P92			TIQ11/TOQ11
P93			TIQ12/TOQ12
P94			TIQ13/TOQ13
P95			TIQ10/TOQ10
P96			TIP21/TOP21
P97			SIB1/TIP20/TOP20
P98			SOB1
P99			SCKB1
P910			–
P911			–
P912			–
P913			INTP4/PCL
P914			INTP5
P915	INTP6		
PCM0	I/O	Port CM 4-bit I/O port Input/output can be specified in 1-bit units.	–
PCM1			CLKOUT
PCM2			–
PCM3			–
PCS0	I/O	Port CS 2-bit I/O port Input/output can be specified in 1-bit units.	–
PCS1			–
PCT0	I/O	Port CT 4-bit I/O port Input/output can be specified in 1-bit units.	–
PCT1			–
PCT4			–
PCT6			–
PDL0 to PDL4	I/O	Port DL 14-bit I/O port Input/output can be specified in 1-bit units.	–
PDL5			FLMD1
PDL6 to PDL13			–

## (2) Non-port pins

Table 2-3. List of Pins (Non-Port Pins) (1/3)

Pin Name	I/O	Function	Alternate Function
NMI <sup>Note</sup>	Input	External interrupt input (non-maskable, with analog noise eliminated)	P02
INTP0	Input	External interrupt request input (maskable, with analog noise eliminated)	P03/ADTRG
INTP1			P04
INTP2			P05/DRST
INTP3			P06
INTP4			P913/PCL
INTP5			P914
INTP6			P915
INTP7			P31/RXDA0
INTP8			P39/RXDA2
INTP9			P10
INTP10			P11
TIP00	Input	External event/clock input (TMP00)	P32/ASCKA0/TOP00/TOP01
TIP01		External event input (TMP01)	P33/TOP01
TIP10		External event/clock input (TMP10)	P34/TOP10
TIP11		External event input (TMP11)	P35/TOP11
TIP20		External event/clock input (TMP20)	P97/SIB1/TOP20
TIP21		External event input (TMP21)	P96/TOP21
TIP30		External event/clock input (TMP30)	P01/TOP30
TIP31		External event input (TMP31)	P00/TOP31
TOP00	Output	Timer output (TMP00)	P32/ASCKA0/TIP00/TOP01
TOP01		Timer output (TMP01)	P32/ASCKA0/TIP00/TOP00 P33/TIP01
TOP10		Timer output (TMP10)	P34/TIP10
TOP11		Timer output (TMP11)	P35/TIP11
TOP20		Timer output (TMP20)	P97/SIB1/TIP20
TOP21		Timer output (TMP21)	P96/TIP21
TOP30		Timer output (TMP30)	P01/TIP30
TOP31		Timer output (TMP31)	P00/TIP31
TIQ00	Input	External event/clock input (TMQ00)	P53/KR3/TOQ00/DDO
TIQ01		External event input (TMQ01)	P50/KR0/TOQ01
TIQ02		External event input (TMQ02)	P51/KR1/TOQ02
TIQ03		External event input (TMQ03)	P52/KR2/TOQ03/DDI
TIQ10		External event/clock input (TMQ10)	P95/TOQ10

**Note** The NMI pin alternately functions as the P02 pin. It functions as the P02 pin after reset. To enable the NMI pin, set the PMC0.PMC02 bit to 1. The initial setting of the NMI pin is “No edge detected”. Select the NMI pin valid edge using INTF0 and INTR0 registers.

Table 2-3. List of Pins (Non-Port Pins) (2/3)

Pin Name	I/O	Function	Alternate Function
TIQ11	Input	External event input (TMQ11)	P92/TOQ11
TIQ12		External event input (TMQ12)	P93/TOQ12
TIQ13		External event input (TMQ13)	P94/TOQ13
TOQ00	Output	Timer output (TMQ00)	P53/KR3/TIQ00/DDO
TOQ01		Timer output (TMQ01)	P50/KR0/TIQ01
TOQ02		Timer output (TMQ02)	P51/KR1/TIQ02
TOQ03		Timer output (TMQ03)	P52/KR2/TIQ03/DDI
TOQ10		Timer output (TMQ10)	P95/TIQ10
TOQ11		Timer output (TMQ11)	P92/TIQ11
TOQ12		Timer output (TMQ12)	P93/TIQ12
TOQ13		Timer output (TMQ13)	P94/TIQ13
SIB0		Input	Serial receive data input (CSIB0)
SIB1	Serial receive data input (CSIB1)		P97/TIP20/TOP20
SOB0	Output	Serial transmit data output (CSIB0)	P41
SOB1		Serial transmit data output (CSIB1)	P98
$\overline{\text{SCKB0}}$	I/O	Serial clock I/O (CSIB0)	P42
$\overline{\text{SCKB1}}$		Serial clock I/O (CSIB1)	P99
RXDA0	Input	Serial receive data input (UARTA0)	P31/INTP7
RXDA1		Serial receive data input (UARTA1)	P91/KR7
RXDA2		Serial receive data input (UARTA2)	P39/INTP8
TXDA0	Output	Serial transmit data output (UARTA0)	P30
TXDA1		Serial transmit data output (UARTA1)	P90/KR6
TXDA2		Serial transmit data output (UARTA2)	P38
ASCKA0	Input	Baud rate clock input to UARTA0	P32/TIP00/TOP00/TOP01
ANI0 to ANI15	Input	Analog voltage input to A/D converter	P70 to P715
AV <sub>REF0</sub>	Input	Reference voltage input to A/D converter, positive power supply for alternate-function port 7	–
AV <sub>SS</sub>	–	Ground potential for A/D and D/A converters (same potential as V <sub>SS</sub> )	–
ADTRG	Input	A/D converter external trigger input	P03/INTP0
KR0	Input	Key interrupt input	P50/TIQ01/TOQ01
KR1			P51/TIQ02/TOQ02
KR2			P52/TIQ03/TOQ03/DDI
KR3			P53/TIQ00/TOQ00/DDO
KR4			P54/DCK
KR5			P55/DMS
KR6			P90/TXDA1
KR7			P91/RXDA1
DMS	Input	Debug mode select	P55/KR5
DDI	Input	Debug data input	P52/KR2/TIQ03/TOQ03
DDO	Output	Debug data output	P53/KR3/TIQ00/TOQ00

Table 2-3. List of Pins (Non-Port Pins) (3/3)

Pin Name	I/O	Function	Alternate Function
DCK	Input	Debug clock input	P54/KR4
$\overline{\text{DRST}}$	Input	Debug reset input	P05/INTP2
FLMD0	Input	Flash programming mode setting pins	–
FLMD1			PDL5
CLKOUT	Output	Internal system clock output	PCM1
PCL	Output	Clock output (timing output of X1 input clock and subclock)	P913/INTP4
REGC	–	Regulator output stabilizing capacitor connection	–
$\overline{\text{RESET}}$	Input	System reset input	–
X1	Input	Main clock resonator connection	–
X2	–		–
XT1	Input	Subclock resonator connection	–
XT2	–		–
V <sub>DD</sub>	–	Positive power supply pin for internal circuitry	–
V <sub>SS</sub>	–	Ground potential for internal circuitry	–
BV <sub>DD</sub>	–	Positive power supply pin for bus interface and alternate-function ports	–
BV <sub>SS</sub>	–	Ground potential for bus interface and alternate-function ports	–
EV <sub>DD</sub>	–	Positive power supply pin for external circuitry (same potential as V <sub>DD</sub> )	–
EV <sub>SS</sub>	–	Ground potential for external circuitry (same potential as V <sub>SS</sub> )	–

## 2.2 Description of Pin Functions

### (1) P00 to P06 (port 0) ... 3-state I/O

P00 to P06 function as a 7-bit I/O port that can be set to input or output in 1-bit units.

Besides functioning as an I/O port, these pins operate as NMI input, external interrupt request signal input, timer/counter I/O, external trigger of the A/D converter, and debug reset input.

This port can be set in the port mode or control mode in 1-bit units. The valid edge of each pin is specified by the INTR0 and INTF0 registers.

An on-chip pull-up resistor can be connected to P00 to P06 by using pull-up resistor option register 0 (PU0).

#### (a) Port mode

P00 to P06 can be set in the input or output mode in 1-bit units, by using port mode register 0 (PM0).

#### (b) Control mode

##### (i) NMI (Non-maskable interrupt request) ... input

This pin inputs a non-maskable interrupt request signal.

##### (ii) INTP0 to INTP3 (External interrupt input) ... input

These pins input external interrupt request signals.

##### (iii) TIP30, TIP31 (Timer input) ... input

These pins input an external count clock to timer P3 (TMP3).

##### (iv) TOP30, TOP31 (Timer output) ... output

These pins output a pulse signal from timer P3 (TMP3).

##### (v) ADTRG (A/D trigger input) ... input

This pin inputs an external trigger to the A/D converter. It is controlled by using A/D converter mode register 0 (ADA0M0).

##### (vi) $\overline{\text{DRST}}$ (Debug reset) ... input

This pin inputs a debug reset signal, a negative-logic signal that asynchronously initializes the on-chip debug circuit. To deassert this signal, reset or invalidate the on-chip debug circuit. Deassert this signal when the debug function is not used.

For details, see **CHAPTER 25 ON-CHIP DEBUG FUNCTION**.

**(2) P10, P11 (port 1) ... 3-state I/O**

P10 and P11 function as a 2-bit I/O port that can be set to input or output in 1-bit units.

Besides functioning as an I/O port, these pins operate as external interrupt request signal input in the control mode. This port can be set in the port mode or control mode in 1-bit units. The valid edge of each pin is specified by INTR1 and INTF1 registers.

An on-chip pull-up resistor can be connected to P10 and P11 by using pull-up resistor option register 1 (PU1).

**(a) Port mode**

P10 and P11 can be set in the input or output mode in 1-bit units, by using port mode register 1 (PM1).

**(b) Control mode****(i) INTP9, INTP10 (External interrupt input) ... input**

These pins input an external interrupt request signal.

**(3) P30 to P39 (port 3) ... 3-state I/O**

P30 to P39 function as a 10-bit I/O port that can be set to input or output in 1-bit units.

Besides functioning as an I/O port, these pins operate as external interrupt request signal input, serial interface I/O, and timer/counter I/O. This port can be set in the port mode or control mode in 1-bit units. The valid edge of each pin is specified by the INTR3 and INTF3 registers.

An on-chip pull-up resistor can be connected to P30 to P39 by using pull-up resistor option register 3 (PU3).

**(a) Port mode**

P30 to P39 can be set in the input or output mode in 1-bit units, by using port mode register 3 (PM3).

**(b) Control mode****(i) RXDA0, RXDA2 (Receive data) ... input**

These pins input the serial receive data of UARTA0 and UARTA2.

**(ii) TXDA0, TXDA2 (Transmit data) ... output**

These pins output the serial transmit data of UARTA0 and UARTA2.

**(iii) ASCKA0 (Asynchronous serial clock) ... input**

This is an input pin for UARTA0.

**(iv) INTP7, INTP8 (External interrupt input) ... input**

These pins input an external interrupt request signal.

**(v) TIP00, TIP01, TIP10, TIP11 (Timer input) ... input**

These are input pins for timers P0 and P1 (TMP0 and TMP1).

**(vi) TOP00, TOP01, TOP10, TOP11 (Timer output) ... output**

These are output pins for timers P0 and P1 (TMP0 and TMP1).

**(4) P40 to P42 (port 4) ... 3-state I/O**

P40 to P42 function as a 3-bit I/O port that can be set to input or output in 1-bit units.

Besides functioning as an I/O port, these pins operate as serial interface I/O. This port can be set in the port mode or control mode in 1-bit units.

An on-chip pull-up resistor can be connected to P40 to P42 by using pull-up resistor option register 4 (PU4).

**(a) Port mode**

P40 to P42 can be set in the input or output mode in 1-bit units, by using port mode register 4 (PM4).

**(b) Control mode****(i) SIB0 (Serial input) ... input**

This pin inputs the serial receive data of CSIB0.

**(ii) SOB0 (Serial output) ... output**

This pin outputs the serial transmit data of CSIB0.

**(iii)  $\overline{\text{SCKB0}}$  (serial clock) ... 3-state I/O**

This pin inputs/outputs the serial clock of CSIB0.

**(5) P50 to P55 (Port 5) ... 3-state I/O**

P50 to P55 function as a 6-bit I/O port that can be set to input or output in 1-bit units.

Besides functioning as an I/O port, these pins operate as timer/counter I/O, debug function I/O, and key interrupt input. This port can be set in the port mode or control mode in 1-bit units.

An on-chip pull-up resistor can be connected to P50 to P55 by using pull-up resistor option register 5 (PU5).

**(a) Port mode**

P50 to P55 can be set in the input or output mode in 1-bit units, by using port mode register 5 (PM5).

**(b) Control mode****(i) KR0 to KR5 (Key return) ... input**

These pins input a key interrupt. Their operation is specified by using the key return mode register (KRM) in the input port mode.

**(ii) TIQ00, TIQ01, TIQ02, TIQ03 (Timer input) ... input**

These are input pins for timer Q0 (TMQ0).

**(iii) TOQ00, TOQ01, TOQ02, TOQ03 (Timer output) ... output**

These are output pins for timer Q0 (TMQ0).

**(iv) DDI (Debug data input) ... input**

This pin inputs debug data to the on-chip debug circuit.

For details, see **CHAPTER 25 ON-CHIP DEBUG FUNCTION**.

**(v) DDO (Debug data output) ... output**

This pin outputs debug data from the on-chip debug circuit.

For details, see **CHAPTER 25 ON-CHIP DEBUG FUNCTION**.



**(vi) DCK (Debug clock input) ... input**

This pin inputs a debug clock to the on-chip debug circuit.

For details, see **CHAPTER 25 ON-CHIP DEBUG FUNCTION**.

**(vii) DMS (Debug mode select) ... input**

This pin selects the debug mode of the on-chip debug circuit.

For details, see **CHAPTER 25 ON-CHIP DEBUG FUNCTION**.

**(6) P70 to P715 (port 7) ... 3-state I/O**

P70 to P715 function as a 16-bit I/O port that can be set to input or output in 1-bit units.

Besides functioning as an I/O port, these pins operate as analog input to the A/D converter in the control mode.

When using the analog input pins, however, set this port in the input mode. At this time, do not read the port.

**(a) Port mode**

P70 to P715 can be set in the input or output mode in 1-bit units, by using port mode registers 7L and 7H (PM7L and PM7H).

**(b) Control mode**

P70 to P715 function alternately as the ANI0 to ANI15 pins.

**(i) ANI0 to ANI15 (Analog input 0 to 15) ... input**

These pins input an analog signal to the A/D converter.

**(7) P90 to P915 (port 9) ... 3-state I/O**

P90 to P915 function as a 16-bit I/O port that can be set to input or output in 1-bit units.

Besides functioning as an I/O port, these pins operate as serial interface I/O, timer/counter I/O, clock output, external interrupt request signal input, and key interrupt input. This port can be set in the port mode or control mode in 1-bit units. The valid edge of P913 to P915 is specified by INTR9H and INTF9H registers.

An on-chip pull-up resistor can be connected to P90 to P915 by using pull-up resistor option register 9 (PU9).

**(a) Port mode**

P90 to P915 can be set in the input or output mode in 1-bit units, by using port mode register 9 (PM9).

**(b) Control mode****(i) SIB1 (Serial input) ... input**

This pin inputs the serial receive data of CSIB1.

**(ii) SOB1 (Serial output) ... output**

This pin outputs the serial transmit data of CSIB1.

**(iii)  $\overline{\text{SCKB1}}$  (Serial clock) ... 3-state I/O**

This pin inputs/outputs the serial clock of CSIB1.

**(iv) RXDA1 (Receive data) ... input**

This pin inputs the serial receive data of UARTA1.

**(v) TXDA1 (Transmit data) ... output**

This pin outputs the serial transmit data of UARTA1.

**(vi) TIP20, TIP21 (Timer input) ... input**

These are input pins for timer P2 (TMP2).

**(vii) TOP20, TOP21 (Timer output) ... output**

These are output pins for timer P2 (TMP2).

**(viii) TIQ10, TIQ11, TIQ12, TIQ13 (Timer input) ... input**

These are input pins for timer Q1 (TMQ1).

**(ix) TOQ10, TOQ11, TOQ12, TOQ13 (Timer output) ... output**

These are output pins for timer Q1 (TMQ1).

**(x) PCL (Clock output) ... output**

This pin outputs a clock.

**(xi) INTP4 to INTP6 (External interrupt input) ... input**

These pins input an external interrupt request signal.

**(xii) KR6, KR7 (Key return) ... input**

These pins input a key interrupt. Their operation is specified by the key return mode register (KRM) in the input port mode.

**(8) PCM0 to PCM3 (port CM) ... 3-state I/O**

PCM0 to PCM3 function as a 4-bit I/O port that can be set to input or output in 1-bit units.

Besides functioning as an I/O port, these pins operate as bus clock output in the control mode.

**(a) Port mode**

PCM0 to PCM3 can be set in the input or output mode in 1-bit units, by using port mode register CM (PMCM).

**(b) Control mode****(i) CLKOUT (Clock output) ... output**

This pin outputs an internally generated bus clock.

**(9) PCS0, PCS1 (port CS) ... 3-state I/O**

PCS0 and PCS1 function as a 2-bit I/O port that can be set to input or output in 1-bit units.

**(a) Port mode**

PCS0 and PCS1 can be set in the input or output mode in 1-bit units, by using port mode register CS (PMCS).

**(10) PCT0, PCT1, PCT4, PCT6 (port CT) ... 3-state I/O**

PCT0, PCT1, PCT4, and PCT6 function as a 4-bit I/O port that can be set to input or output in 1-bit units.

**(a) Port mode**

PCT0, PCT1, PCT4, and PCT6 can be set in the input or output mode in 1-bit units, by using port mode register CT (PMCT).

**(11) PDL0 to PDL13 (port DL) ... 3-state I/O**

PDL0 to PDL13 function as a 14-bit I/O port that can be set to input or output in 1-bit units.

PDL5 also functions as the FLMD1 pin when the flash memory is programmed (when a high level is input to FLMD0). At this time, be sure to input a low level to the FLMD1 pin.

**(a) Port mode**

PDL0 to PDL13 can be set in the input or output mode in 1-bit units, by using port mode register DL (PMDL).

**(12)  $\overline{\text{RESET}}$  (Reset) ... input**

$\overline{\text{RESET}}$  input is asynchronous input. When a signal with a fixed low level width is input to the  $\overline{\text{RESET}}$  pin regardless of the operating clock, the system is reset, taking precedence over all the other operations.

This pin is used to release the standby mode (HALT, IDLE, or STOP), as well as for normal initialization/start.

**(13) X1, X2 (Crystal for main clock)**

These pins are used to connect the resonator that generates the system clock.

**(14) XT1, XT2 (Crystal for subclock)**

These pins are used to connect the resonator that generates the subclock.

**(15) AV<sub>SS</sub> (Ground for analog)**

This is a ground pin for the A/D converter and alternate-function ports.

**(16) AV<sub>REF0</sub> (Analog reference voltage) ... input**

This pin supplies positive analog power to the A/D converter and alternate-function ports.

It also supplies a reference voltage to the A/D converter.

**(17) EV<sub>DD</sub> (Power supply for port)**

This pin supplies positive power to the I/O ports and alternate-function pins.

**(18) EV<sub>SS</sub> (Ground for port)**

This is a ground pin for the I/O ports and alternate-function pins.

**(19) V<sub>DD</sub> (Power supply)**

This pin supplies positive power. Connect all the V<sub>DD</sub> pins to a positive power supply.

**(20) V<sub>SS</sub> (Ground)**

This is a ground pin. Connect all the V<sub>SS</sub> pins to ground.

**(21) FLMD0 (Flash programming mode) ... input**

This is a signal input pin for flash memory programming mode.

Connect this pin to V<sub>SS</sub> in the normal operation mode.

**(22) BV<sub>DD</sub> (Power supply for port)**

This pin supplies positive power to the I/O ports and alternate-function pins.

**(23) BV<sub>SS</sub> (Ground for port)**

This is a ground pin for the I/O ports and alternate-function pins.

**(24) REGC (Regulator control) ... input**

This pin connects a capacitor for the regulator.

## 2.3 Pin I/O Circuit Types and Recommended Connection of Unused Pins

(1/2)

Pin	I/O Circuit Type	Recommended Connection	
P00/TIP31/TOP31	5-W	Input: Independently connect to $EV_{DD}$ or $EV_{SS}$ via a resistor Output: Leave open	
P01/TIP30/TOP30			
P02/NMI			
P03/INTP0/ADTRG			
P04/INTP1			
P05/INTP2/ $\overline{DRST}$	5-AF	Input: Independently connect to $EV_{SS}$ Output: Leave open	
P06/INTP3	5-W	Input: Independently connect to $EV_{DD}$ or $EV_{SS}$ via a resistor Output: Leave open	
P10/INTP9	5-W	Input: Independently connect to $EV_{DD}$ or $EV_{SS}$ via a resistor Output: Leave open	
P11/INTP10			
P30/TXDA0	5-A	Input: Independently connect to $EV_{DD}$ or $EV_{SS}$ via a resistor Output: Leave open	
P31/RXDA0/INTP7	5-W		
P32/ASCKA0/TIP00/TOP00/ TOP01			
P33/TIP01/TOP01			
P34/TIP10/TOP10			
P35/TIP11/TOP11			
P36			5-A
P37			
P38/TXDA2	5-W		
P39/RXDA2/INTP8			
P40/SIB0	5-W		Input: Independently connect to $EV_{DD}$ or $EV_{SS}$ via a resistor Output: Leave open
P41/SOB0	5-A		
P42/ $\overline{SCKB0}$	5-W		
P50/KR0/TIQ01/TOQ01	5-W		Input: Independently connect to $EV_{DD}$ or $EV_{SS}$ via a resistor Output: Leave open
P51/KR1/TIQ02/TOQ02			
P52/KR2/TIQ03/TOQ03/DDI			
P53/KR3/TIQ00/TOQ00/DDO			
P54/KR4/DCK			
P55/KR5/DMS			
P70/ANI0 to P79/ANI9	11-G	Input: Independently connect to $AV_{REF0}$ or $AV_{SS}$ via a resistor Output: Leave open	
P710/ANI10, P711/ANI11			
P712/ANI12 to P715/ANI15			
P90/KR6/TXDA1	5-W	Input: Independently connect to $EV_{DD}$ or $EV_{SS}$ via a resistor Output: Leave open	
P91/KR7/RXDA1			
P92/TIQ11/TOQ11			
P93/TIQ12/TOQ12			
P94/TIQ13/TOQ13			
P95/TIQ10/TOQ10			

Pin	I/O Circuit Type	Recommended Connection
P96/TIP21/TOP21	5-W	Input: Independently connect to EV <sub>DD</sub> or EV <sub>SS</sub> via a resistor Output: Leave open
P97/SIB1/TIP20/TOP20		
P98/SOB1	5-A	
P99/SCKB1	5-W	
P910	5-A	
P911		
P912		
P913/INTP4/PCL	5-W	Input: Independently connect to EV <sub>DD</sub> or EV <sub>SS</sub> via a resistor Output: Leave open
P914/INTP5		
P915/INTP6		
PCM0	5	Input: Independently connect to BV <sub>DD</sub> or BV <sub>SS</sub> via a resistor Output: Leave open
PCM1/CLKOUT		
PCM2		
PCM3		
PCS0	5	Input: Independently connect to BV <sub>DD</sub> or BV <sub>SS</sub> via a resistor Output: Leave open
PCS1		
PCT0	5	Input: Independently connect to BV <sub>DD</sub> or BV <sub>SS</sub> via a resistor Output: Leave open
PCT1		
PCT4		
PCT6		
PDL0 to PDL4	5	Input: Independently connect to BV <sub>DD</sub> or BV <sub>SS</sub> via a resistor Output: Leave open
PDL5/FLMD1		
PDL6 to PDL13		
AV <sub>REF0</sub>	–	Directly connect to V <sub>DD</sub>
AV <sub>SS</sub>	–	–
FLMD0 <sup>Note</sup>	–	Directly connect to V <sub>SS</sub>
REGC	–	–
RESET	2	–
X1	–	–
X2	–	–
XT1	16	Connect to V <sub>SS</sub> via a resistor
XT2	16	Leave open
V <sub>DD</sub>	–	–
V <sub>SS</sub>	–	–
BV <sub>DD</sub>	–	–
BV <sub>SS</sub>	–	–
EV <sub>DD</sub>	–	–
EV <sub>SS</sub>	–	–

**Note** If noise that exceeds the noise elimination width is input to the RESET pin during self programming, the flash on-board mode may be entered depending on the capacitance charge end timing when a capacitor is connected to the FLMD0 pin. Therefore, do not connect a capacitor to the FLMD0 pin.

2.4 Pin I/O Circuits

Figure 2-1. Pin I/O Circuit Types (1/2)

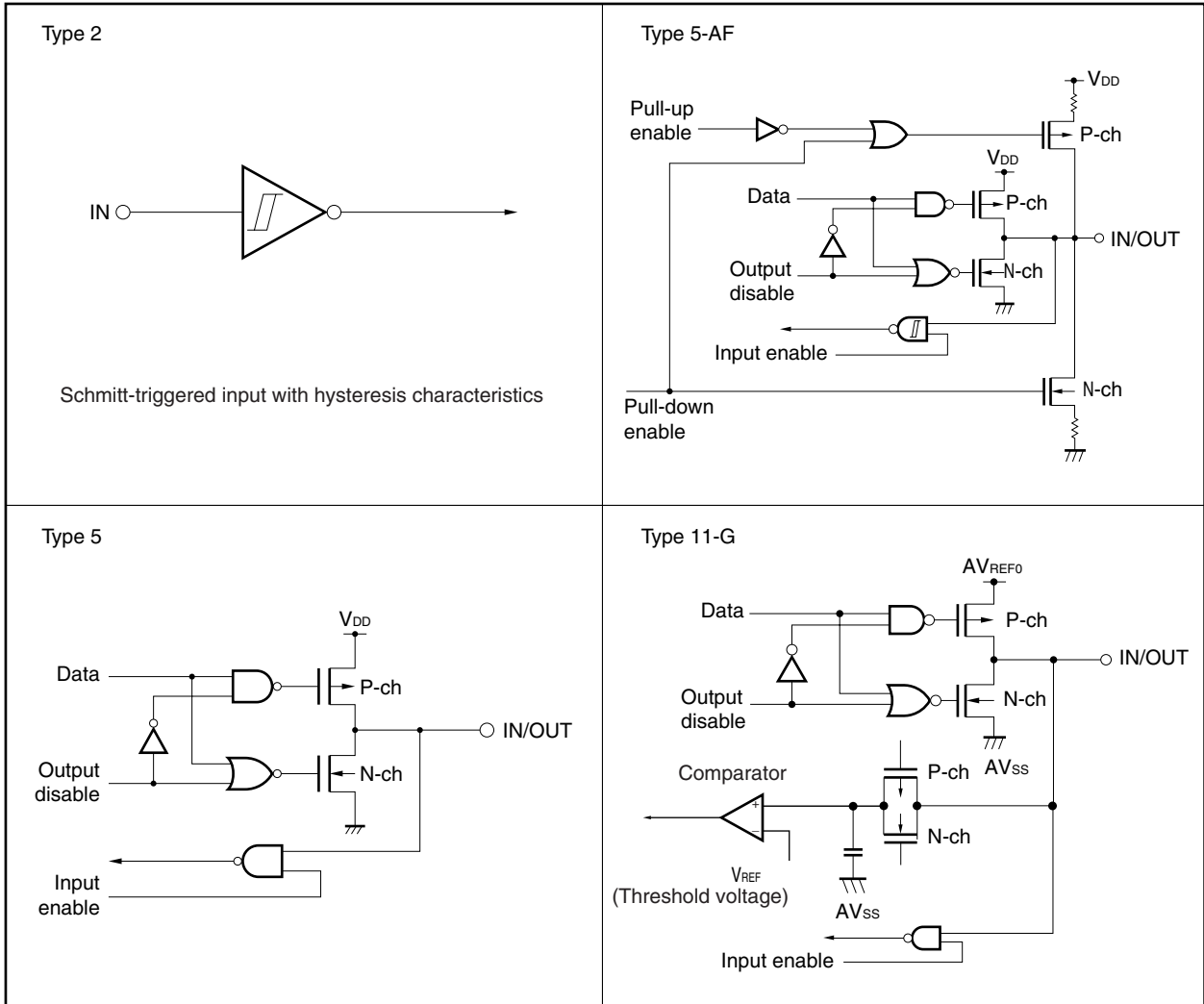
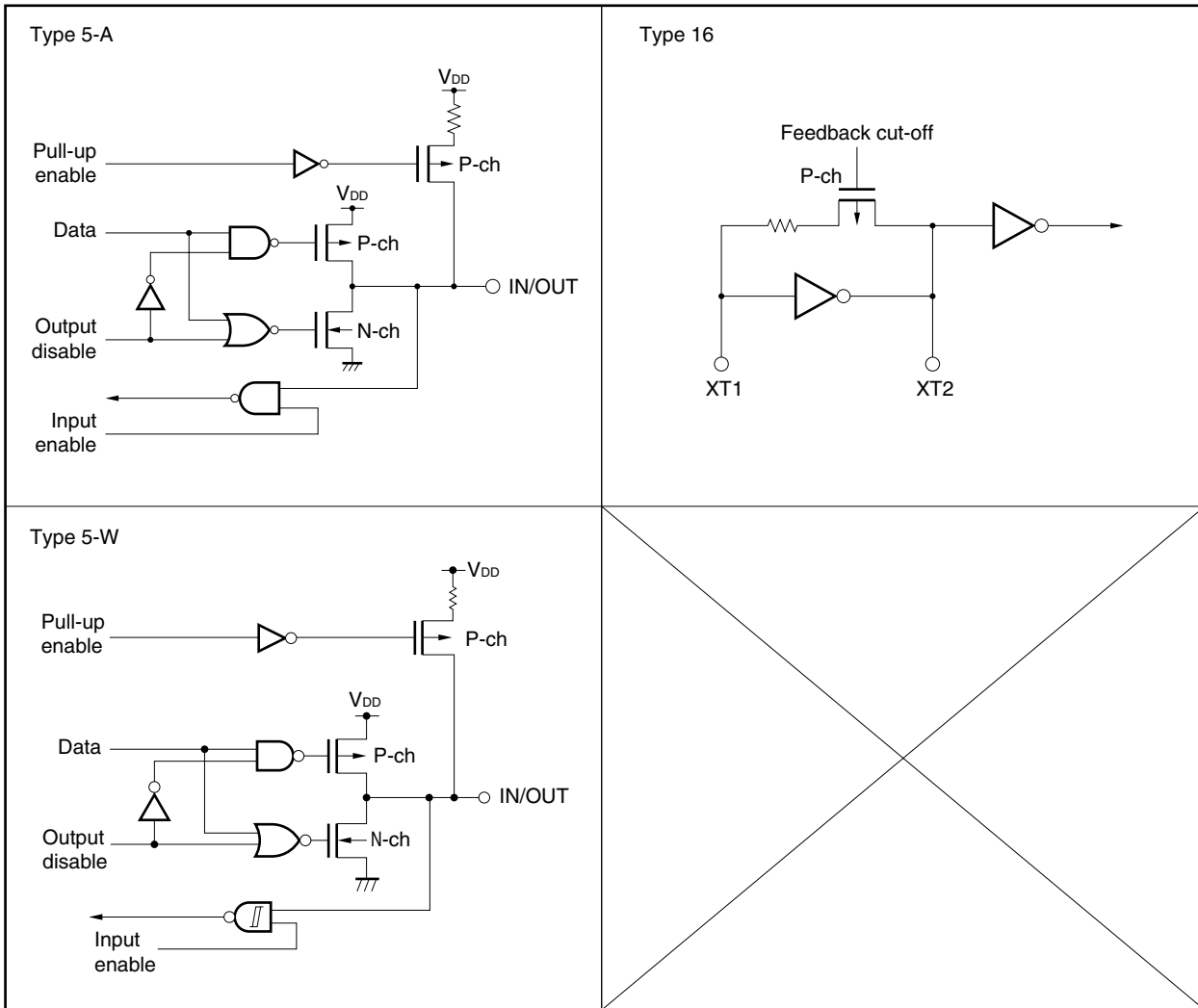


Figure 2-1. Pin I/O Circuit Types (2/2)



**2.5 Cautions**

Note that the following pin may temporarily output an undefined level, even during reset upon power application.  
 P53/KR3/TIQ00/TOQ00/DDO pin



## CHAPTER 3 CPU FUNCTION

The CPU of the V850ES/HG2 is based on RISC architecture and executes almost all instructions with one clock by using a 5-stage pipeline.

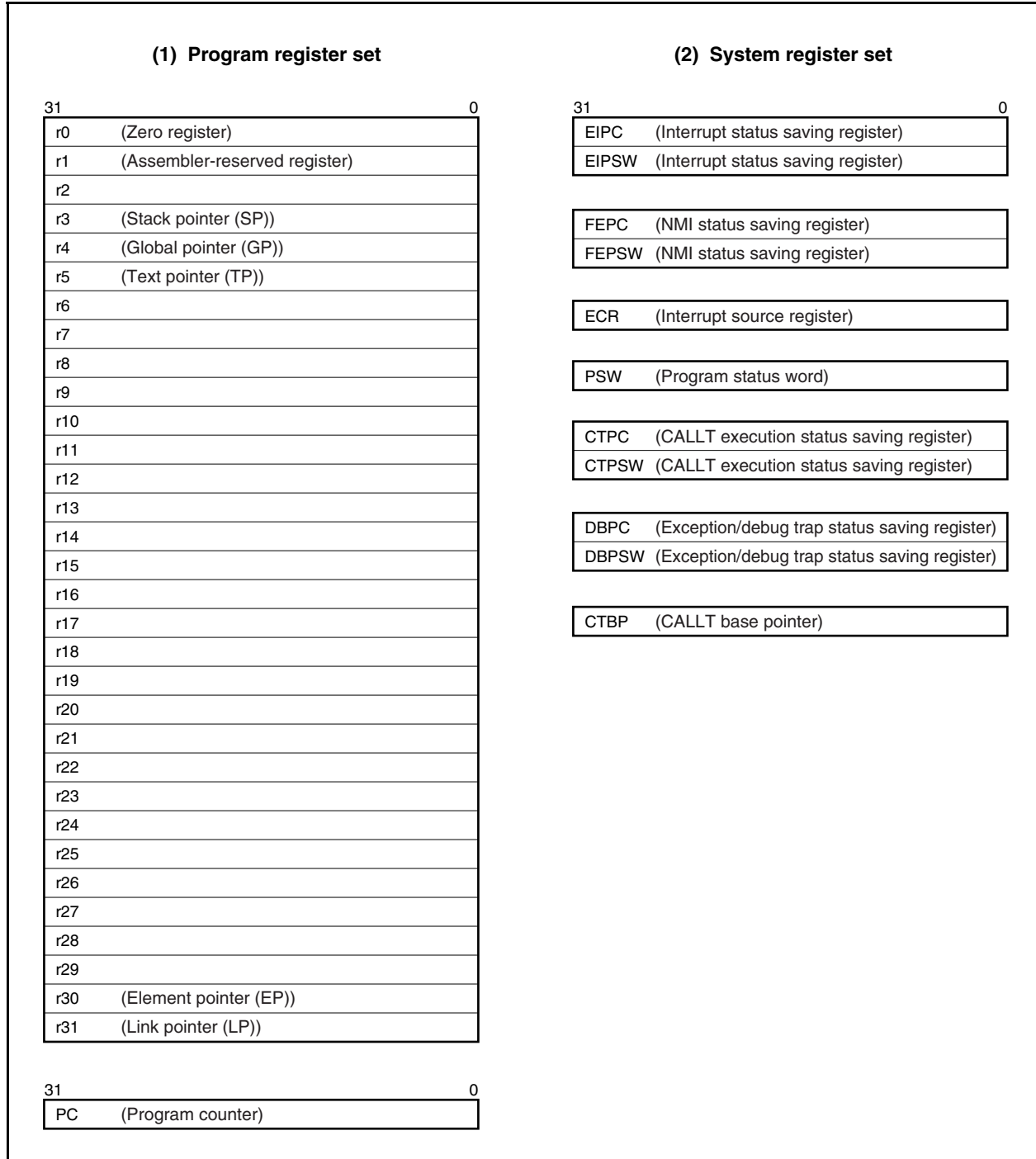
### 3.1 Features

- Minimum instruction execution time: 50 ns (at 20 MHz operation)
- Memory space    Program (physical address) space: 64 MB linear  
                          Data (logical address) space:        4 GB linear
- General-purpose registers: 32 bits × 32 registers
- Internal 32-bit architecture
- 5-stage pipeline control
- Multiplication/division instruction
- Saturation operation instruction
- 32-bit shift instruction: 1 clock
- Load/store instruction with long/short format
- Four types of bit manipulation instructions
  - SET1
  - CLR1
  - NOT1
  - TST1

### 3.2 CPU Register Set

The registers of the V850ES/HG2 can be classified into two types: general-purpose program registers and dedicated system registers. All the registers are 32 bits wide.

For details, refer to the **V850ES Architecture User's Manual**.



### 3.2.1 Program register set

The program registers include general-purpose registers and a program counter.

#### (1) General-purpose registers (r0 to r31)

Thirty-two general-purpose registers, r0 to r31, are available. Any of these registers can be used to store a data variable or an address variable.

However, r0 and r30 are implicitly used by instructions and care must be exercised when these registers are used. r0 always holds 0 and is used for an operation that uses 0 or addressing of offset 0. r30 is used by the SLD and SST instructions as a base pointer when these instructions access the memory. r1, r3 to r5, and r31 are implicitly used by the assembler and C compiler. When using these registers, save their contents for protection, and then restore the contents after using the registers. r2 is sometimes used by the real-time OS. If the real-time OS does not use r2, it can be used as a register for variables.

**Table 3-1. Program Registers**

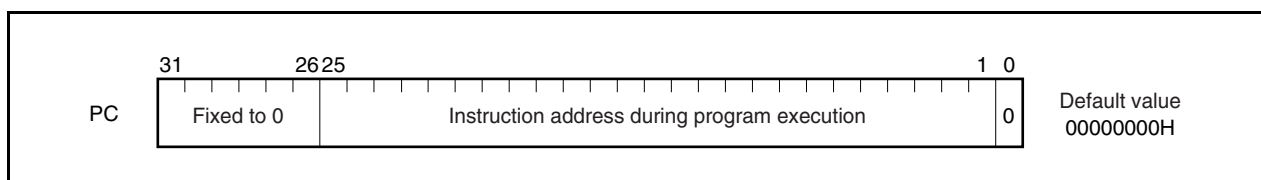
Name	Usage	Operation
r0	Zero register	Always holds 0.
r1	Assembler-reserved register	Used as working register to create 32-bit immediate data
r2	Register for address/data variable (if real-time OS does not use r2)	
r3	Stack pointer	Used to create a stack frame when a function is called
r4	Global pointer	Used to access a global variable in the data area
r5	Text pointer	Used as register that indicates the beginning of a text area (area where program codes are located)
r6 to r29	Register for address/data variable	
r30	Element pointer	Used as base pointer to access memory
r31	Link pointer	Used when the compiler calls a function
PC	Program counter	Holds the instruction address during program execution

**Remark** For further details on the r1, r3 to r5, and r31 that are used in the assembler and C compiler, refer to the **CA850 (C Compiler Package) Assembly Language User's Manual**.

#### (2) Program counter (PC)

The program counter holds the instruction address during program execution. The lower 26 bits of this register are valid. Bits 31 to 26 are fixed to 0. A carry from bit 25 to 26 is ignored even if it occurs.

Bit 0 is fixed to 0. This means that execution cannot branch to an odd address.



### 3.2.2 System register set

The system registers control the status of the CPU and hold interrupt information.

These registers can be read or written by using system register load/store instructions (LDSR and STSR), using the system register numbers listed below.

**Table 3-2. System Register Numbers**

System Register Number	System Register Name	Operand Specification	
		LDSR Instruction	STSR Instruction
0	Interrupt status saving register (EIPC) <sup>Note 1</sup>	√	√
1	Interrupt status saving register (EIPSW) <sup>Note 1</sup>	√	√
2	NMI status saving register (FEPC) <sup>Note 1</sup>	√	√
3	NMI status saving register (FEPSW) <sup>Note 1</sup>	√	√
4	Interrupt source register (ECR)	×	√
5	Program status word (PSW)	√	√
6 to 15	Reserved for future function expansion (operation is not guaranteed if these registers are accessed)	×	×
16	CALLT execution status saving register (CTPC)	√	√
17	CALLT execution status saving register (CTPSW)	√	√
18	Exception/debug trap status saving register (DBPC)	√ <sup>Note 2</sup>	√ <sup>Note 2</sup>
19	Exception/debug trap status saving register (DBPSW)	√ <sup>Note 2</sup>	√ <sup>Note 2</sup>
20	CALLT base pointer (CTBP)	√	√
21 to 31	Reserved for future function expansion (operation is not guaranteed if these registers are accessed)	×	×

- Notes**
1. Because only one set of these registers is available, the contents of these registers must be saved by program if multiple interrupts are enabled.
  2. These registers can be accessed only during the interval between the execution of the DBTRAP instruction or illegal opcode and the DBRET instruction.

**Caution** Even if EIPC or FEPC, or bit 0 of CTPC is set to 1 by the LDSR instruction, bit 0 is ignored when execution is returned to the main routine by the RETI instruction after interrupt servicing (this is because bit 0 of the PC is fixed to 0). Set an even value to EIPC, FEPC, and CTPC (bit 0 = 0).

**Remark** √: Can be accessed  
 ×: Access prohibited

**(1) Interrupt status saving registers (EIPC and EIPSW)**

EIPC and EIPSW are used to save the status when an interrupt occurs.

If a software exception or a maskable interrupt occurs, the contents of the program counter (PC) are saved to EIPC, and the contents of the program status word (PSW) are saved to EIPSW (these contents are saved to the NMI status saving registers (FEPC and FEPSW) if a non-maskable interrupt occurs).

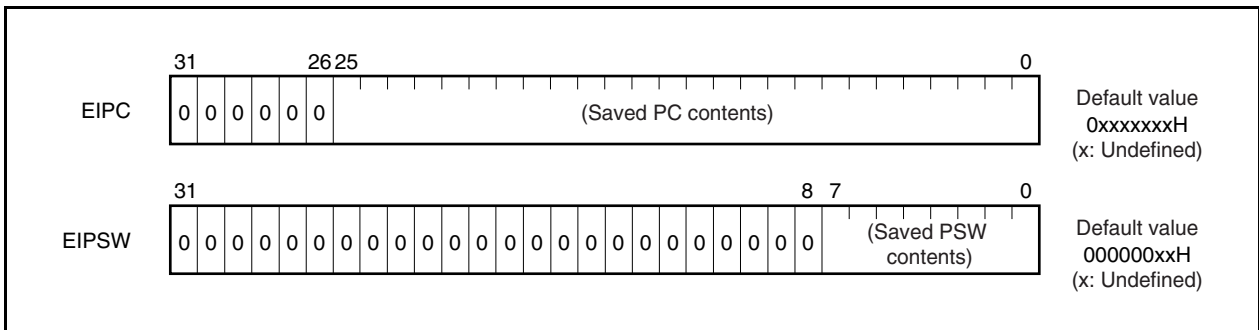
The address of the instruction next to the instruction under execution, except some instructions (see **15.8 Periods in Which Interrupts Are Not Acknowledged by CPU**), is saved to EIPC when a software exception or a maskable interrupt occurs.

The current contents of the PSW are saved to EIPSW.

Because only one set of interrupt status saving registers is available, the contents of these registers must be saved by program when multiple interrupts are enabled.

Bits 31 to 26 of EIPC and bits 31 to 8 of EIPSW are reserved for future function expansion (these bits are always fixed to 0).

The value of EIPC is restored to the PC and the value of EIPSW to the PSW by the RETI instruction.



**(2) NMI status saving registers (FEPC and FEPSW)**

FEPC and FEPSW are used to save the status when a non-maskable interrupt (NMI) occurs.

If an NMI occurs, the contents of the program counter (PC) are saved to FEPC, and those of the program status word (PSW) are saved to FEPSW.

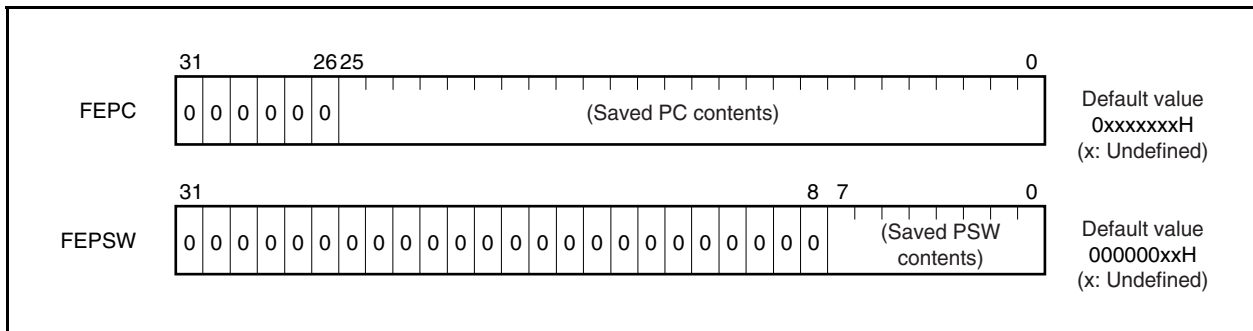
The address of the instruction next to the one of the instruction under execution, except some instructions, is saved to FEPC when an NMI occurs.

The current contents of the PSW are saved to FEPSW.

Because only one set of NMI status saving registers is available, the contents of these registers must be saved by program when multiple interrupts are enabled.

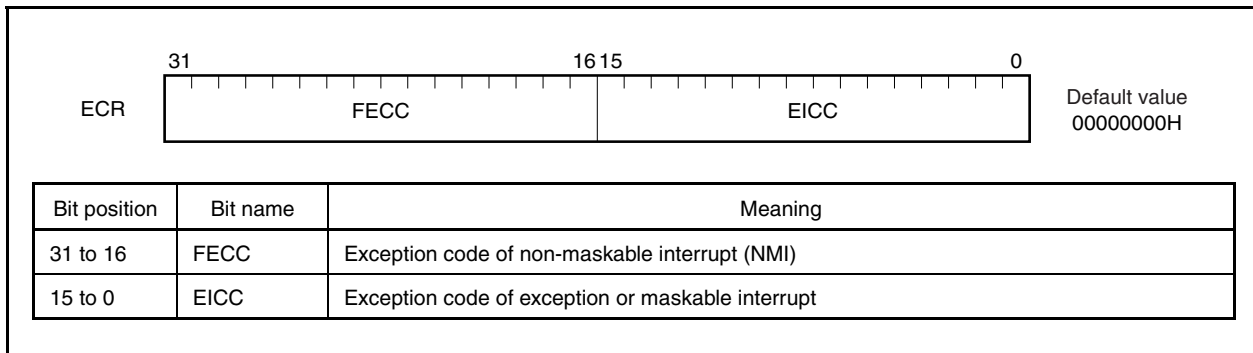
Bits 31 to 26 of FEPC and bits 31 to 8 of FEPSW are reserved for future function expansion (these bits are always fixed to 0).

The value of FEPC is restored to the PC and the value of FEPSW to the PSW by the RETI instruction.



**(3) Interrupt source register (ECR)**

The interrupt source register (ECR) holds the source of an exception or interrupt if an exception or interrupt occurs. This register holds the exception code of each interrupt source. Because this register is a read-only register, data cannot be written to this register using the LDSR instruction.



**(4) Program status word (PSW)**

The program status word (PSW) is a collection of flags that indicate the status of the program (result of instruction execution) and the status of the CPU.

If the contents of a bit of this register are changed by using the LDSR instruction, the new contents are validated immediately after completion of LDSR instruction execution. However if the ID flag is set to 1, interrupt requests will not be acknowledged while the LDSR instruction is being executed.

Bits 31 to 8 of this register are reserved for future function expansion (these bits are fixed to 0).

(1/2)

Bit position	Flag name	Meaning
31 to 8	RFU	Reserved field. Fixed to 0.
7	NP	Indicates that a non-maskable interrupt (NMI) is being serviced. This bit is set to 1 when an NMI request is acknowledged, disabling multiple interrupts. 0: NMI is not being serviced. 1: NMI is being serviced.
6	EP	Indicates that an exception is being processed. This bit is set to 1 when an exception occurs. Even if this bit is set, interrupt requests are acknowledged. 0: Exception is not being processed. 1: Exception is being processed.
5	ID	Indicates whether a maskable interrupt can be acknowledged. 0: Interrupt enabled 1: Interrupt disabled
4	SAT <sup>Note</sup>	Indicates that the result of a saturation operation has overflowed and is saturated. Because this is a cumulative flag, it is set to 1 when the result of a saturation operation instruction is saturated, and is not cleared to 0 even if the subsequent operation result is not saturated. Use the LDSR instruction to clear this bit. This flag is neither set to 1 nor cleared to 0 by execution of an arithmetic operation instruction. 0: Not saturated 1: Saturated
3	CY	Indicates whether a carry or a borrow occurs as a result of an operation. 0: Carry or borrow does not occur. 1: Carry or borrow occurs.
2	OV <sup>Note</sup>	Indicates whether an overflow occurs during operation. 0: Overflow does not occur. 1: Overflow occurs.
1	S <sup>Note</sup>	Indicates whether the result of an operation is negative. 0: The result is positive or 0. 1: The result is negative.
0	Z	Indicates whether the result of an operation is 0. 0: The result is not 0. 1: The result is 0.

**Remark** Also read **Note** on the next page.

**Note** The result of the operation that has performed saturation processing is determined by the contents of the OV and S flags. The SAT flag is set to 1 only when the OV flag is set to 1 when a saturation operation is performed.

Status of operation result	Flag status			Result of operation of saturation processing
	SAT	OV	S	
Maximum positive value is exceeded	1	1	0	7FFFFFFFH
Maximum negative value is exceeded	1	1	1	80000000H
Positive (maximum value is not exceeded)	Holds value before operation	0	0	Operation result itself
Negative (maximum value is not exceeded)			1	

**(5) CALLT execution status saving registers (CTPC and CTPSW)**

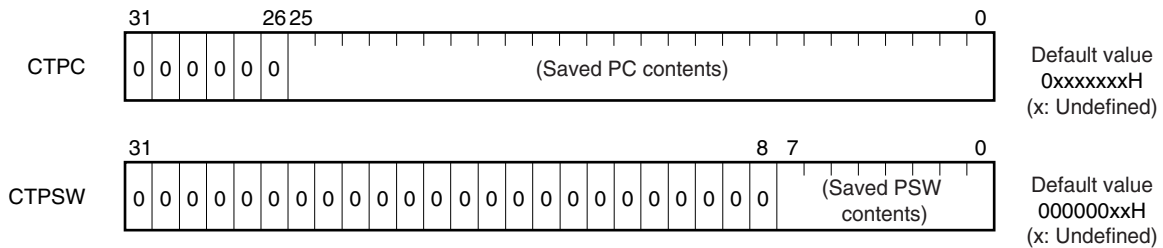
CTPC and CTPSW are CALLT execution status saving registers.

When the CALLT instruction is executed, the contents of the program counter (PC) are saved to CTPC, and those of the program status word (PSW) are saved to CTPSW.

The contents saved to CTPC are the address of the instruction next to CALLT.

The current contents of the PSW are saved to CTPSW.

Bits 31 to 26 of CTPC and bits 31 to 8 of CTPSW are reserved for future function expansion (fixed to 0).





**(6) Exception/debug trap status saving registers (DBPC and DBPSW)**

DBPC and DBPSW are exception/debug trap status registers.

If an exception trap or debug trap occurs, the contents of the program counter (PC) are saved to DBPC, and those of the program status word (PSW) are saved to DBPSW.

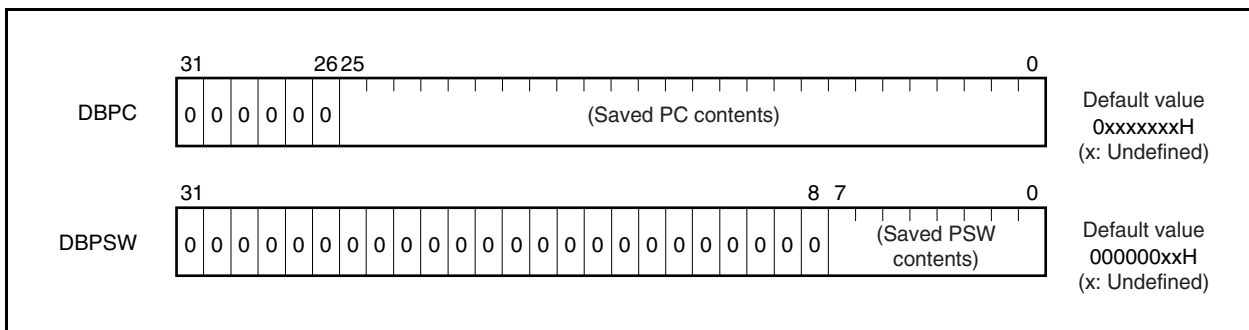
The contents to be saved to DBPC are the address of the instruction next to the one that is being executed when an exception trap or debug trap occurs.

The current contents of the PSW are saved to DBPSW.

This register can be read or written only during the interval between the execution of the DBTRAP instruction or illegal opcode and the DBRET instruction.

Bits 31 to 26 of DBPC and bits 31 to 8 of DBPSW are reserved for future function expansion (fixed to 0).

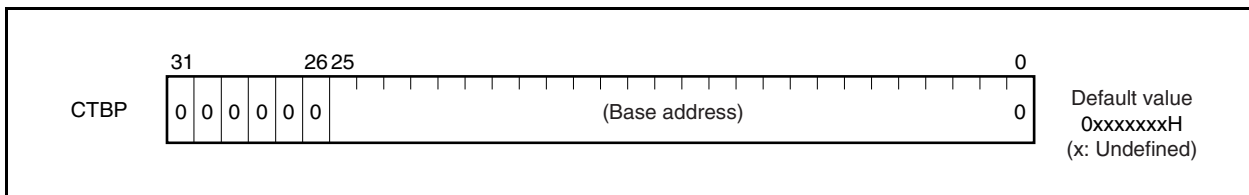
The value of DBPC is restored to the PC and the value of DBPSW to the PSW by the DBRET instruction.



**(7) CALLT base pointer (CTBP)**

The CALLT base pointer (CTBP) is used to specify a table address or generate a target address (bit 0 is fixed to 0).

Bits 31 to 26 of this register are reserved for future function expansion (fixed to 0).



### 3.3 Operation Modes

The V850ES/HG2 has the following operation modes.

#### (1) Normal operation mode

In this mode, each pin related to the bus interface is set to the port mode after system reset has been released. Execution branches to the reset entry address of the internal ROM, and then instruction processing is started.

#### (2) Flash memory programming mode

In this mode, the internal flash memory can be programmed by using a flash programmer.

#### (3) On-chip debug mode

The V850ES/HG2 is provided with an on-chip debug function that employs the JTAG (Joint Test Action Group) communication specifications and that is executed via an on-chip debug emulator.

For details, see **CHAPTER 25 ON-CHIP DEBUG FUNCTION**.

#### 3.3.1 Specifying operation mode

Specify the operation mode by using the FLMD0 and FLMD1 pins.

In the normal mode, input a low level to the FLMD0 pin when reset is released.

In the flash memory programming mode, a high level is input to the FLMD0 pin from the flash programmer if a flash programmer is connected, but it must be input from an external circuit in the self-programming mode.

Operation When Reset Is Released		Operation Mode After Reset
FLMD0	FLMD1	
L	×	Normal operation mode
H	L	Flash memory programming mode
H	H	Setting prohibited

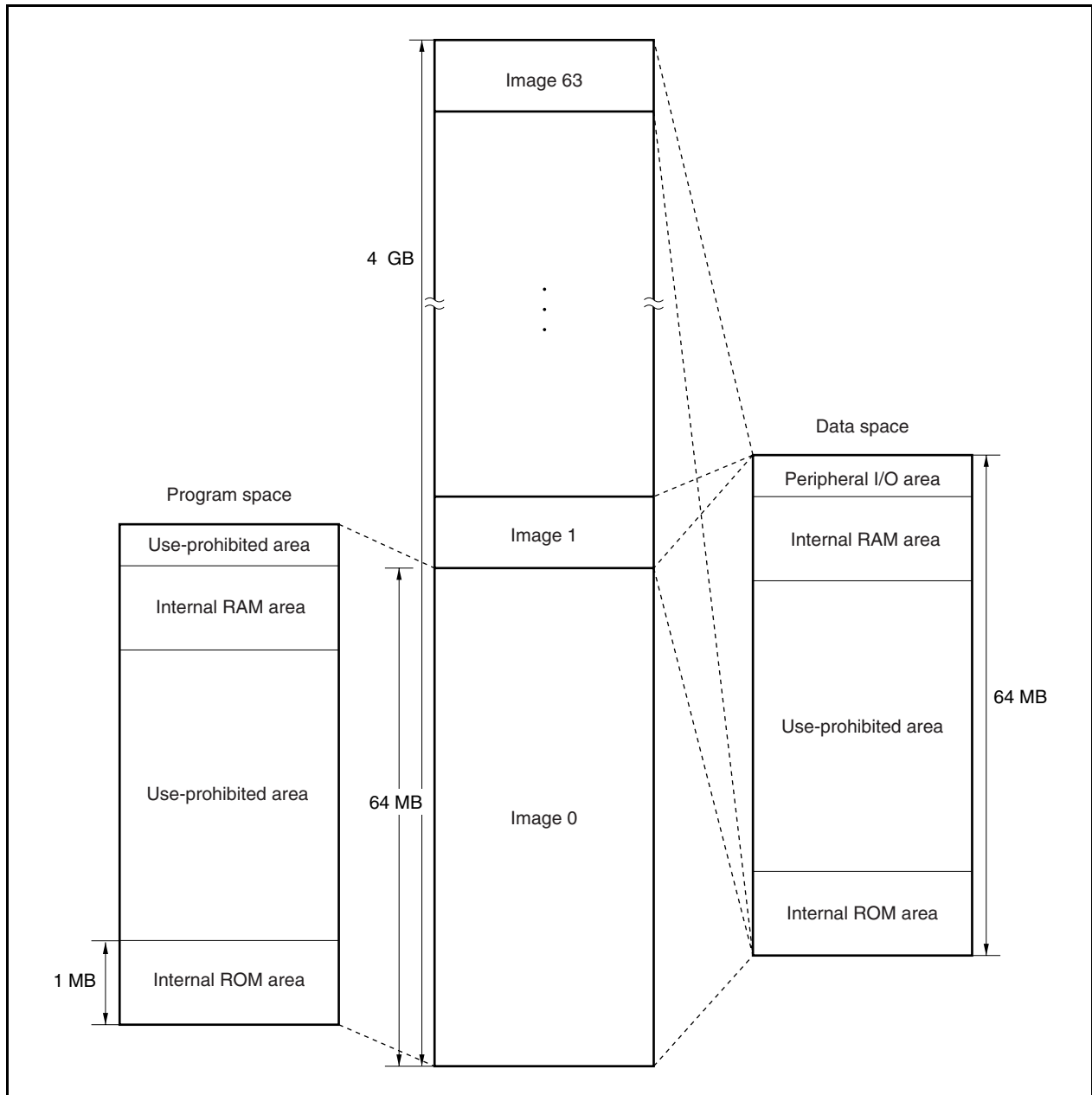
**Remark** L: Low-level input  
 H: High-level input  
 ×: Don't care

### 3.4 Address Space

#### 3.4.1 CPU address space

For instruction addressing, an internal ROM area of up to 1 MB, and an internal RAM area are supported in a linear address space (program space) of up to 64 MB. For operand addressing (data access), up to 4 GB of a linear address space (data space) is supported. The 4 GB address space, however, is viewed as 64 images of a 64 MB physical address space. This means that the same 64 MB physical address space is accessed regardless of the value of bits 31 to 26.

Figure 3-1. Image on Address Space



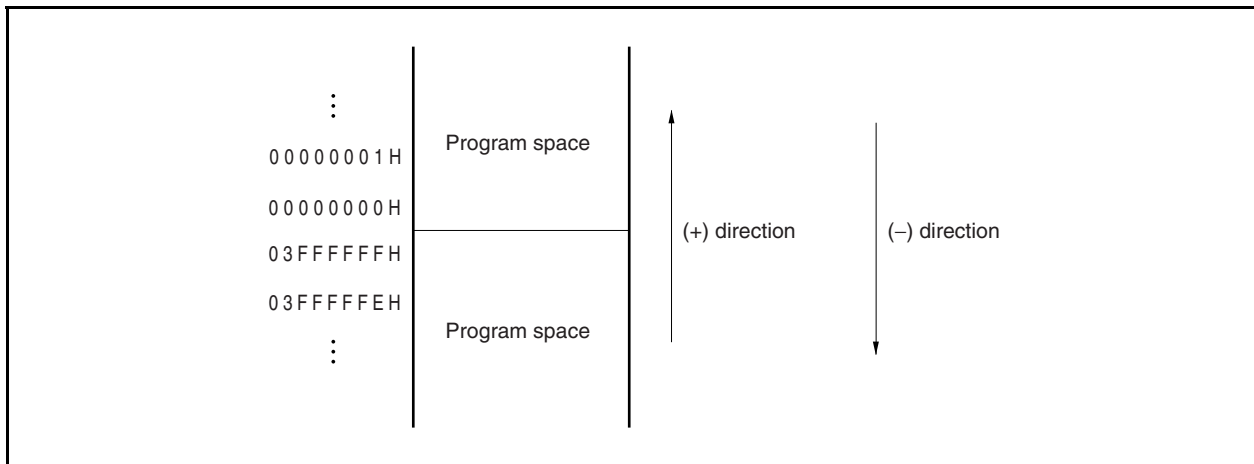
### 3.4.2 Wraparound of CPU address space

#### (1) Program space

Of the 32 bits of the PC (program counter), the higher 6 bits are fixed to 0 and only the lower 26 bits are valid. The higher 6 bits ignore a carry or borrow from bit 25 to 26 during branch address calculation.

Therefore, the highest address of the program space, 03FFFFFFH, and the lowest address, 00000000H, are contiguous addresses. That the highest address and the lowest address of the program space are contiguous in this way is called wraparound.

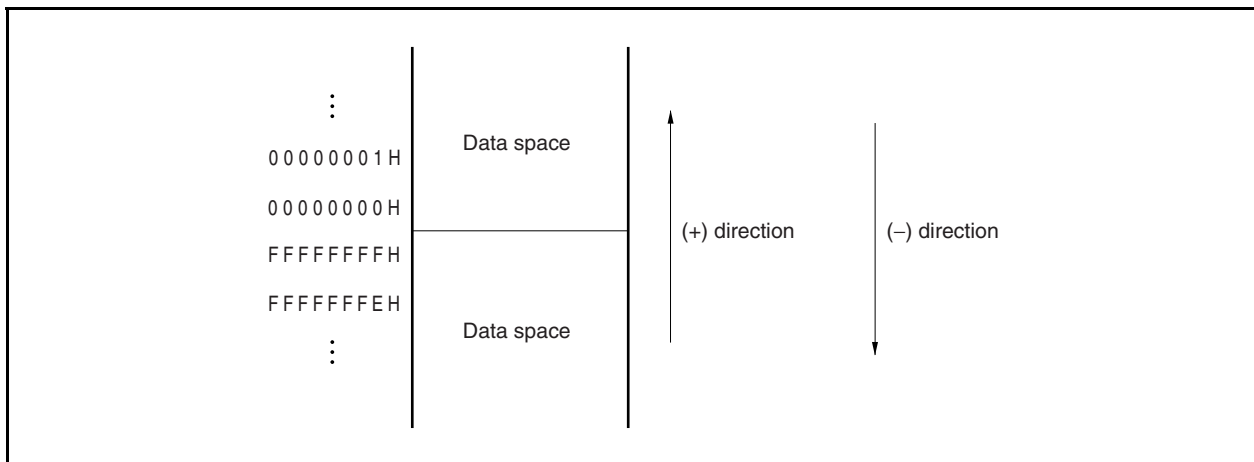
**Caution** Because the 4 KB area of addresses 03FFF000H to 03FFFFFFH is an on-chip peripheral I/O area, instructions cannot be fetched from this area. Therefore, do not execute an operation in which the result of a branch address calculation affects this area.



#### (2) Data space

The result of an operand address calculation operation that exceeds 32 bits is ignored.

Therefore, the highest address of the data space, FFFFFFFFH, and the lowest address, 00000000H, are contiguous, and wraparound occurs at the boundary of these addresses.



3.4.3 Memory map

The areas shown below are reserved in the V850ES/HG2.

Figure 3-2. Data Memory Map (Physical Addresses)

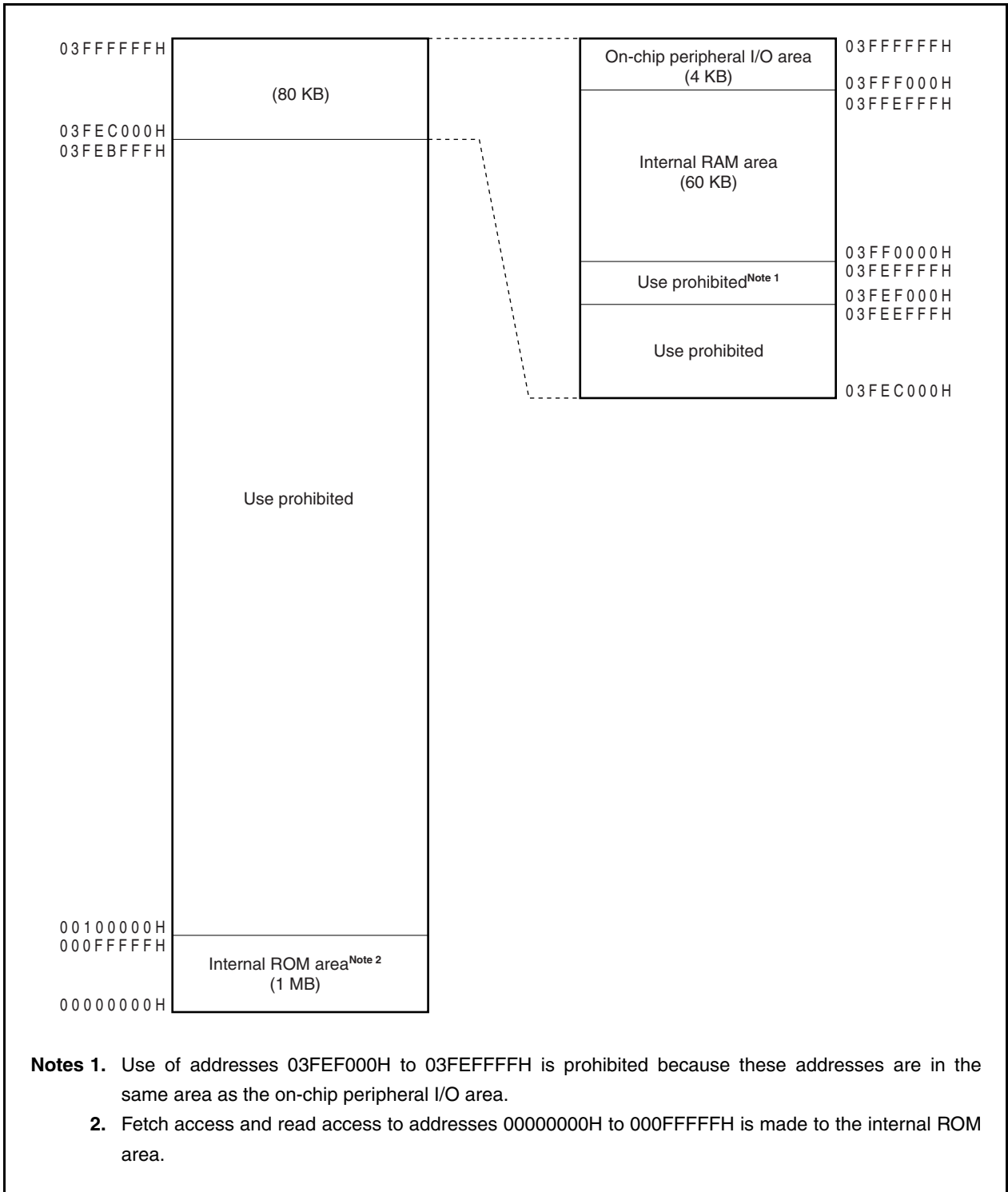
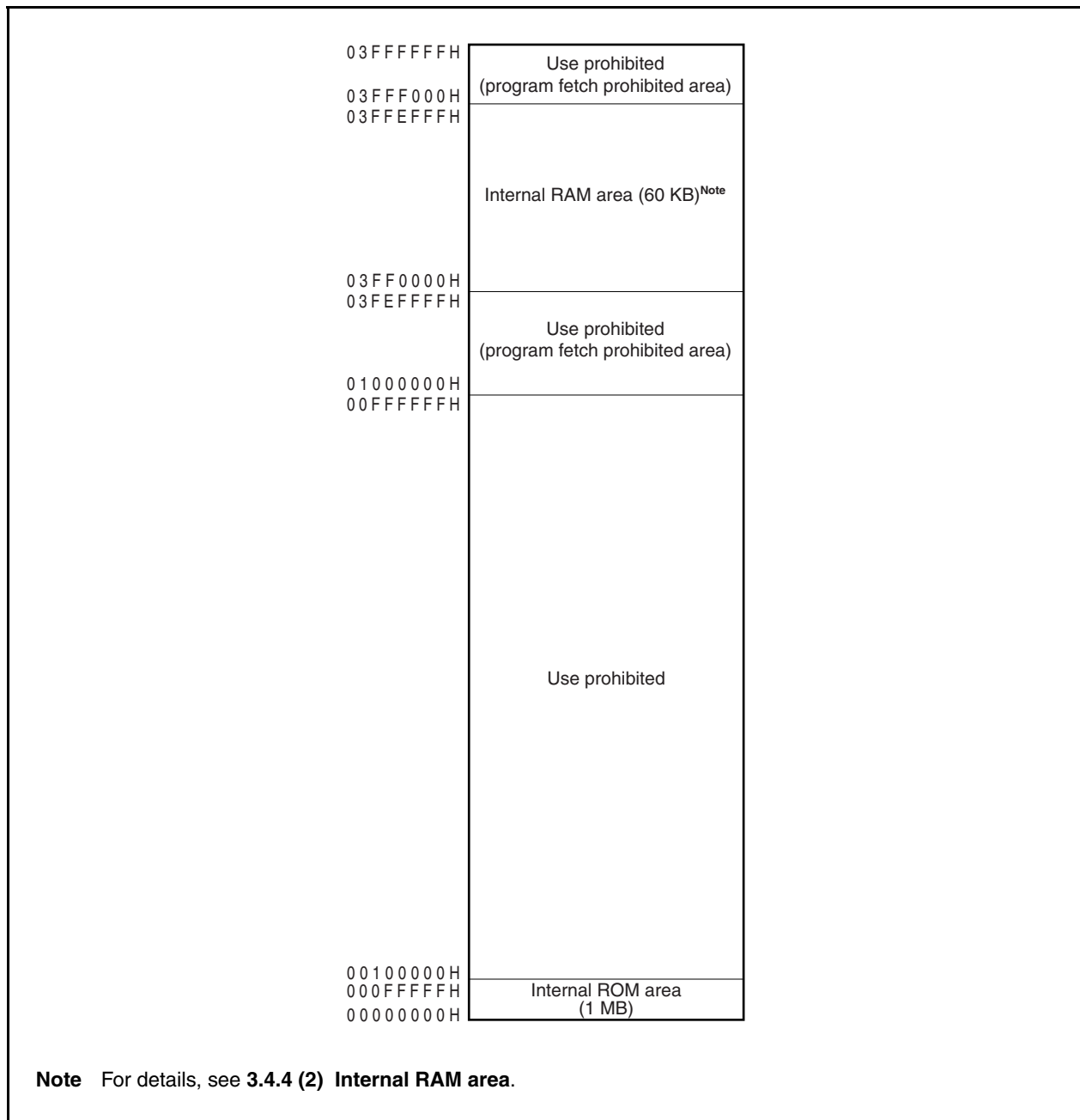


Figure 3-3. Program Memory Map



## 3.4.4 Areas

## (1) Internal ROM area

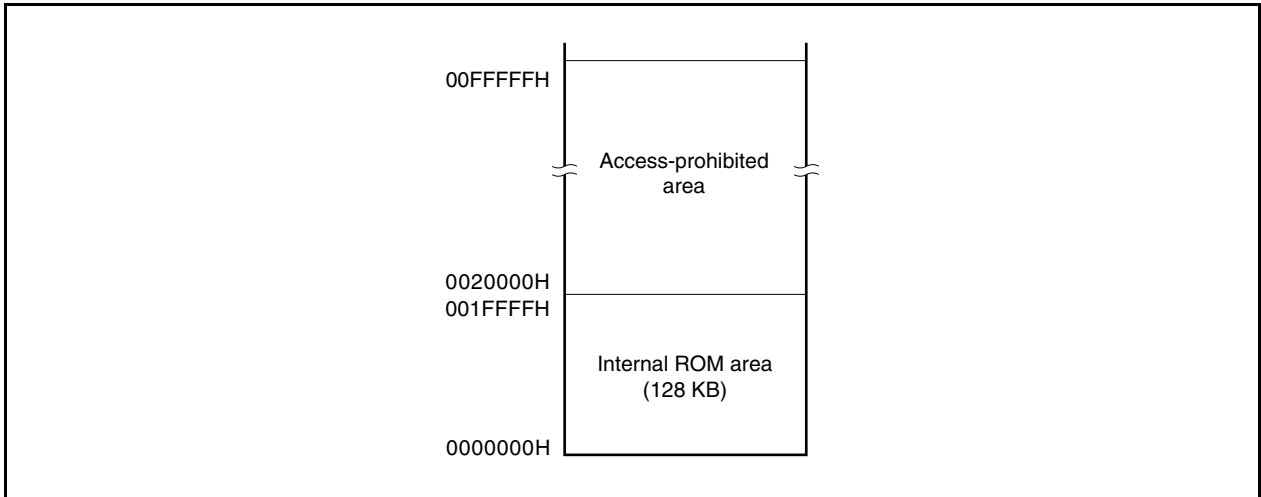
Up to 1 MB is reserved as an internal ROM area.

## (a) Internal ROM (128 KB)

128 KB are allocated to addresses 0000000H to 001FFFFFH in the  $\mu$ PD70F3706.

Accessing addresses 0020000H to 00FFFFFFH is prohibited.

Figure 3-4. Internal ROM Area (128 KB)

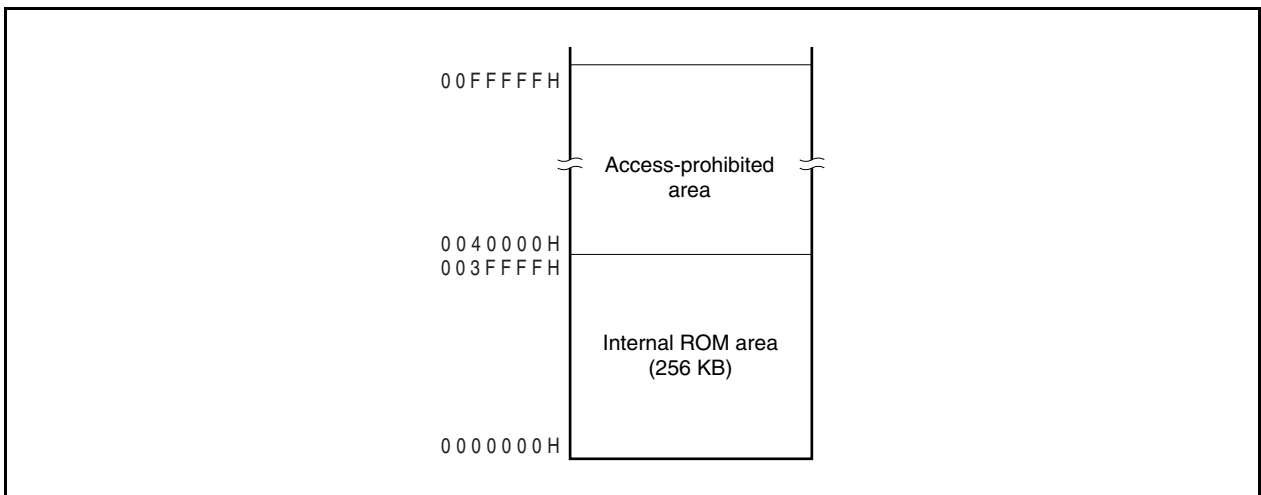


## (b) Internal ROM (256 KB)

256 KB are allocated to addresses 0000000H to 003FFFFFH in the  $\mu$ PD70F3707.

Accessing addresses 00040000H to 00FFFFFFFH is prohibited.

Figure 3-5. Internal ROM Area (256 KB)



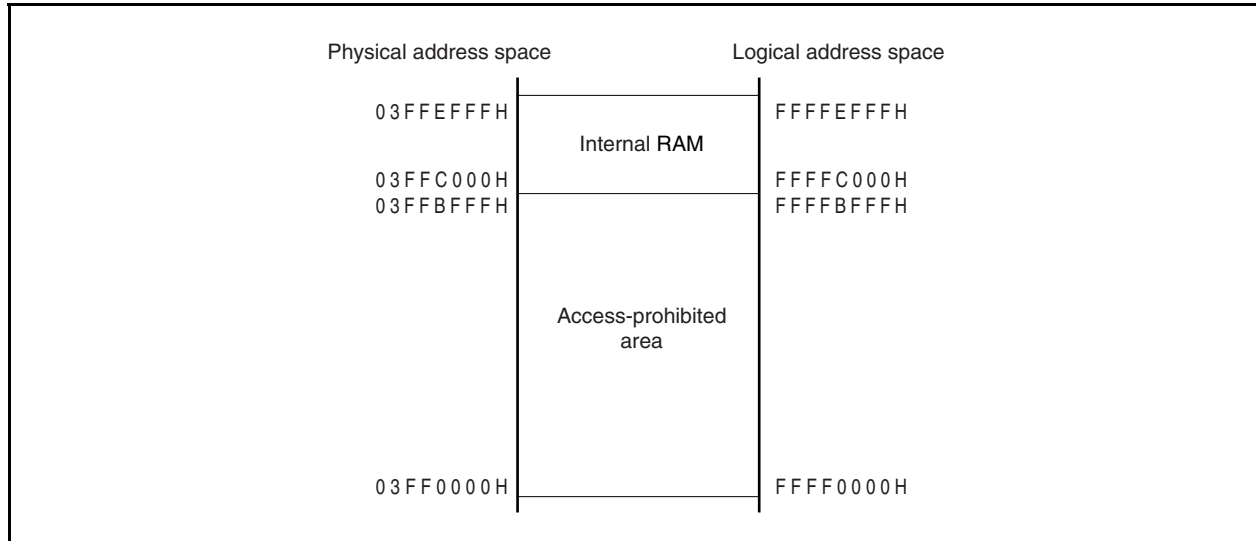
**(2) Internal RAM area**

Up to 60 KB are reserved as the internal RAM area.

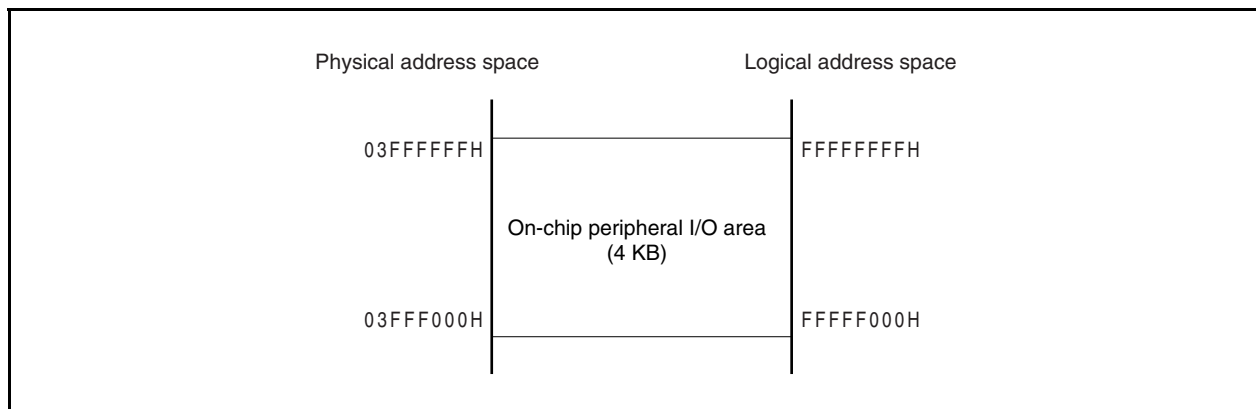
**(a) Internal RAM (12 KB)**

12 KB are allocated to addresses 03FFC000H to 03FFEFFFH in the V850ES/HG2.

Accessing addresses 03FF0000H to 03FFBFFFH is prohibited.

**Figure 3-6. Internal RAM Area (12 KB)****(3) On-chip peripheral I/O area**

4 KB of addresses 03FFF000H to 03FFFFFFH are reserved as the on-chip peripheral I/O area.

**Figure 3-7. On-Chip Peripheral I/O Area**

Peripheral I/O registers that have functions to specify the operation mode for and monitor the status of the on-chip peripheral I/O are mapped to the on-chip peripheral I/O area. Program cannot be fetched from this area.



- Cautions**
1. When a register is accessed in word units, a word area is accessed twice in halfword units in the order of lower area and higher area, with the lower 2 bits of the address ignored.
  2. If a register that can be accessed in byte units is accessed in halfword units, the higher 8 bits are undefined when the register is read, and data is written to the lower 8 bits.
  3. Addresses not defined as registers are reserved for future expansion. The operation is undefined and not guaranteed when these addresses are accessed.

### 3.4.5 Recommended use of address space

The architecture of the V850ES/HG2 requires that a register that serves as a pointer be secured for address generation when operand data in the data space is accessed. The address stored in this pointer  $\pm 32$  KB can be directly accessed by an instruction for operand data. Because the number of general-purpose registers that can be used as a pointer is limited, however, by keeping the performance from dropping during address calculation when a pointer value is changed, as many general-purpose registers as possible can be secured for variables, and the program size can be reduced.

#### (1) Program space

Of the 32 bits of the PC (program counter), the higher 6 bits are fixed to 0, and only the lower 26 bits are valid. Regarding the program space, therefore, a 64 MB space of contiguous addresses starting from 00000000H unconditionally corresponds to the memory map.

To use the internal RAM area as the program space, access addresses 03FFC000H to 03FFFEFFFH (12 KB).

**Caution** If a branch instruction is at the upper limit of the internal RAM area, a prefetch operation (invalid fetch) straddling the on-chip peripheral I/O area does not occur.

**(2) Data space**

With the V850ES/HG2, it seems that there are sixty-four 64 MB address spaces on the 4 GB CPU address space. Therefore, the least significant bit (bit 25) of a 26-bit address is sign-extended to 32 bits and allocated as an address.

**(a) Application example of wraparound**

If R = r0 (zero register) is specified for the LD/ST disp16 [R] instruction, a range of addresses 00000000H  $\pm$ 32 KB can be addressed by sign-extended disp16. All the resources, including the internal hardware, can be addressed by one pointer.

The zero register (r0) is a register fixed to 0 by hardware, and practically eliminates the need for registers dedicated to pointers.

**Figure 3-8. Wraparound ( $\mu$ PD70F3707)**

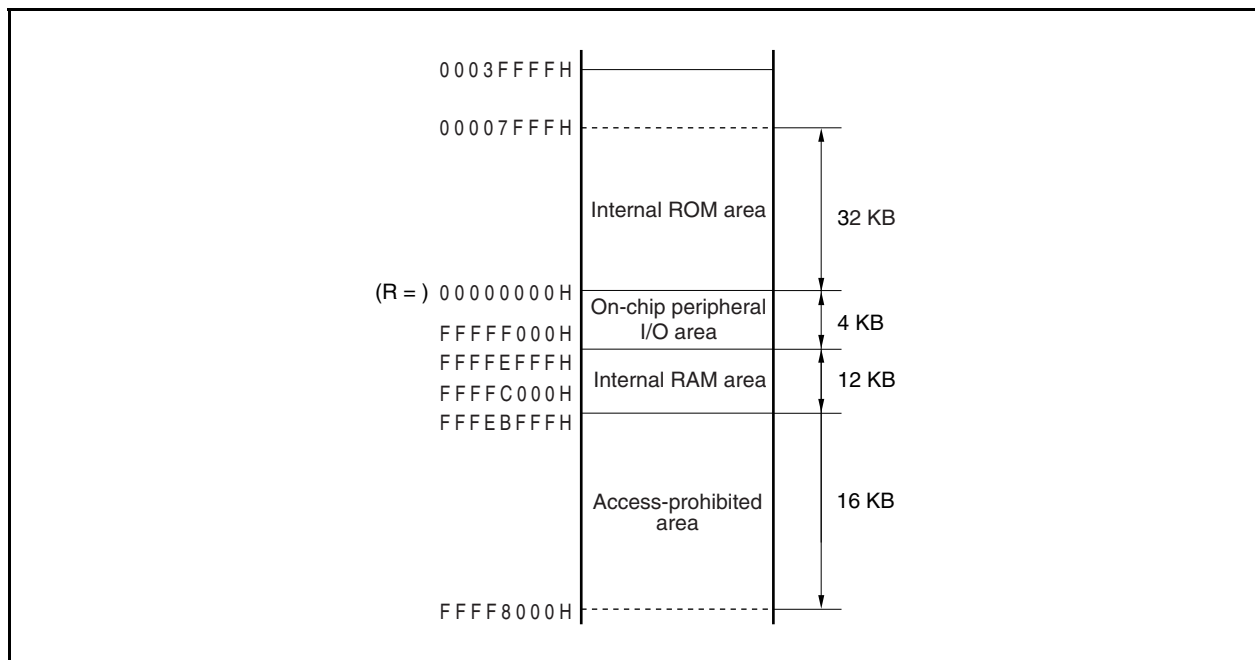
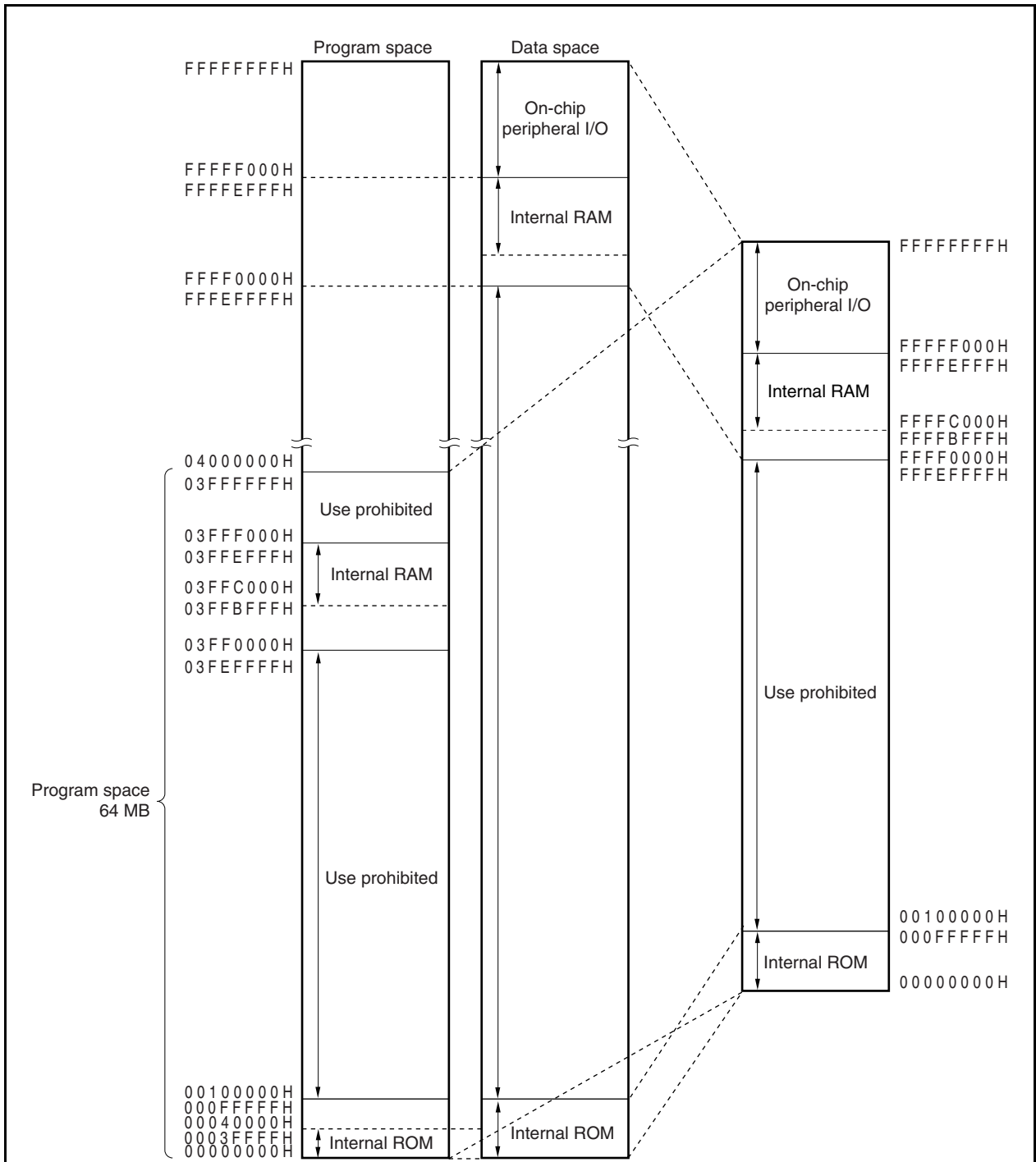


Figure 3-9. Recommended Memory Map



- Remarks 1.**  $\updownarrow$  indicates the recommended area.  
**2.** This figure is the recommended memory map of the  $\mu$ PD70F3707.

## 3.4.6 Peripheral I/O registers

(1/9)

Address	Function Register Name	Symbol	R/W	Manipulatable Bits			Default Value
				1	8	16	
FFFFF004H	Port DL	PDL	R/W			√	Undefined
FFFFF004H	Port DLL	PDLL		√	√		Undefined
FFFFF005H	Port DLH	PDLH		√	√		Undefined
FFFFF008H	Port CS	PCS		√	√		Undefined
FFFFF00AH	Port CT	PCT		√	√		Undefined
FFFFF00CH	Port CM	PCM		√	√		Undefined
FFFFF024H	Port mode register DL	PMDL				√	FFFFH
FFFFF024H	Port mode register DLL	PMDLL		√	√		FFH
FFFFF025H	Port mode register DLH	PMDLH		√	√		FFH
FFFFF028H	Port mode register CS	PMCS		√	√		FFH
FFFFF02AH	Port mode register CT	PMCT		√	√		FFH
FFFFF02CH	Port mode register CM	PMCM		√	√		FFH
FFFFF04CH	Port mode control register CM	PMCCM		√	√		00H
FFFFF06EH	System wait control register	VSWC			√		77H
FFFFF080H	DMA source address register 0L	DSA0L				√	Undefined
FFFFF082H	DMA source address register 0H	DSA0H				√	Undefined
FFFFF084H	DMA destination address register 0L	DDA0L				√	Undefined
FFFFF086H	DMA destination address register 0H	DDA0H				√	Undefined
FFFFF088H	DMA source address register 1L	DSA1L				√	Undefined
FFFFF08AH	DMA source address register 1H	DSA1H				√	Undefined
FFFFF08CH	DMA destination address register 1L	DDA1L				√	Undefined
FFFFF08EH	DMA destination address register 1H	DDA1H				√	Undefined
FFFFF090H	DMA source address register 2L	DSA2L				√	Undefined
FFFFF092H	DMA source address register 2H	DSA2H				√	Undefined
FFFFF094H	DMA destination address register 2L	DDA2L				√	Undefined
FFFFF096H	DMA destination address register 2H	DDA2H				√	Undefined
FFFFF098H	DMA source address register 3L	DSA3L				√	Undefined
FFFFF09AH	DMA source address register 3H	DSA3H				√	Undefined
FFFFF09CH	DMA destination address register 3L	DDA3L				√	Undefined
FFFFF09EH	DMA destination address register 3H	DDA3H				√	Undefined
FFFFF0C0H	DMA transfer count register 0	DBC0				√	Undefined
FFFFF0C2H	DMA transfer count register 1	DBC1				√	Undefined
FFFFF0C4H	DMA transfer count register 2	DBC2				√	Undefined
FFFFF0C6H	DMA transfer count register 3	DBC3				√	Undefined
FFFFF0D0H	DMA addressing control register 0	DADC0				√	0000H
FFFFF0D2H	DMA addressing control register 1	DADC1				√	0000H
FFFFF0D4H	DMA addressing control register 2	DADC2				√	0000H
FFFFF0D6H	DMA addressing control register 3	DADC3				√	0000H
FFFFF0E0H	DMA channel control register 0	DCHC0		√	√		00H
FFFFF0E2H	DMA channel control register 1	DCHC1		√	√		00H
FFFFF0E4H	DMA channel control register 2	DCHC2		√	√		00H
FFFFF0E6H	DMA channel control register 3	DCHC3		√	√		00H

Address	Function Register Name	Symbol	R/W	Manipulatable Bits			Default Value
				1	8	16	
FFFFF100H	Interrupt mask register 0	IMR0	R/W			√	FFFFH
FFFFF100H	Interrupt mask register 0L	IMR0L		√	√		FFH
FFFFF101H	Interrupt mask register 0H	IMR0H		√	√		FFH
FFFFF102H	Interrupt mask register 1	IMR1				√	FFFFH
FFFFF102H	Interrupt mask register 1L	IMR1L		√	√		FFH
FFFFF103H	Interrupt mask register 1H	IMR1H		√	√		FFH
FFFFF104H	Interrupt mask register 2	IMR2				√	FFFFH
FFFFF104H	Interrupt mask register 2L	IMR2L		√	√		FFH
FFFFF105H	Interrupt mask register 2H	IMR2H		√	√		FFH
FFFFF106H	Interrupt mask register 3	IMR3				√	FFFFH
FFFFF106H	Interrupt mask register 3L	IMR3L		√	√		FFH
FFFFF107H	Interrupt mask register 3H	IMR3H		√	√		FFH
FFFFF110H	Interrupt control register	LVIIC		√	√		47H
FFFFF112H	Interrupt control register	PIC0		√	√		47H
FFFFF114H	Interrupt control register	PIC1		√	√		47H
FFFFF116H	Interrupt control register	PIC2		√	√		47H
FFFFF118H	Interrupt control register	PIC3		√	√		47H
FFFFF11AH	Interrupt control register	PIC4		√	√		47H
FFFFF11CH	Interrupt control register	PIC5		√	√		47H
FFFFF11EH	Interrupt control register	PIC6		√	√		47H
FFFFF120H	Interrupt control register	PIC7		√	√		47H
FFFFF122H	Interrupt control register	TQ0OVIC		√	√		47H
FFFFF124H	Interrupt control register	TQ0CCIC0		√	√		47H
FFFFF126H	Interrupt control register	TQ0CCIC1		√	√		47H
FFFFF128H	Interrupt control register	TQ0CCIC2		√	√		47H
FFFFF12AH	Interrupt control register	TQ0CCIC3		√	√		47H
FFFFF12CH	Interrupt control register	TP0OVIC		√	√		47H
FFFFF12EH	Interrupt control register	TP0CCIC0		√	√		47H
FFFFF130H	Interrupt control register	TP0CCIC1		√	√		47H
FFFFF132H	Interrupt control register	TP1OVIC		√	√		47H
FFFFF134H	Interrupt control register	TP1CCIC0		√	√		47H
FFFFF136H	Interrupt control register	TP1CCIC1		√	√		47H
FFFFF138H	Interrupt control register	TP2OVIC		√	√		47H
FFFFF13AH	Interrupt control register	TP2CCIC0	√	√		47H	
FFFFF13CH	Interrupt control register	TP2CCIC1	√	√		47H	
FFFFF13EH	Interrupt control register	TP3OVIC	√	√		47H	
FFFFF140H	Interrupt control register	TP3CCIC0	√	√		47H	
FFFFF142H	Interrupt control register	TP3CCIC1	√	√		47H	
FFFFF144H	Interrupt control register	TM0EQIC0	√	√		47H	
FFFFF146H	Interrupt control register	CB0RIC	√	√		47H	
FFFFF148H	Interrupt control register	CB0TIC	√	√		47H	
FFFFF14AH	Interrupt control register	CB1RIC	√	√		47H	

Address	Function Register Name	Symbol	R/W	Manipulatable Bits			Default Value	
				1	8	16		
FFFFF14CH	Interrupt control register	CB1TIC	R/W	√	√		47H	
FFFFF14EH	Interrupt control register	UA0RIC		√	√		47H	
FFFFF150H	Interrupt control register	UA0TIC		√	√		47H	
FFFFF152H	Interrupt control register	UA1RIC		√	√		47H	
FFFFF154H	Interrupt control register	UA1TIC		√	√		47H	
FFFFF156H	Interrupt control register	ADIC		√	√		47H	
FFFFF160H	Interrupt control register	KRIC		√	√		47H	
FFFFF162H	Interrupt control register	WTIIC		√	√		47H	
FFFFF164H	Interrupt control register	WTIC		√	√		47H	
FFFFF166H	Interrupt control register	PIC8		√	√		47H	
FFFFF168H	Interrupt control register	PIC9		√	√		47H	
FFFFF16AH	Interrupt control register	PIC10		√	√		47H	
FFFFF16CH	Interrupt control register	TQ1OVIC		√	√		47H	
FFFFF16EH	Interrupt control register	TQ1CCIC0		√	√		47H	
FFFFF170H	Interrupt control register	TQ1CCIC1		√	√		47H	
FFFFF172H	Interrupt control register	TQ1CCIC2		√	√		47H	
FFFFF174H	Interrupt control register	TQ1CCIC3		√	√		47H	
FFFFF176H	Interrupt control register	UA2RIC		√	√		47H	
FFFFF178H	Interrupt control register	UA2TIC		√	√		47H	
FFFFF182H	Interrupt control register	DMAIC0		√	√		47H	
FFFFF184H	Interrupt control register	DMAIC1		√	√		47H	
FFFFF186H	Interrupt control register	DMAIC2		√	√		47H	
FFFFF188H	Interrupt control register	DMAIC3		√	√		47H	
FFFFF1FAH	In-service priority register	ISPR		R	√	√		00H
FFFFF1FCH	Command register	PRCMD	W		√		Undefined	
FFFFF1FEH	Power save control register	PSC	R/W	√	√		00H	
FFFFF200H	A/D converter mode register 0	ADA0M0		√	√		00H	
FFFFF201H	A/D converter mode register 1	ADA0M1		√	√		00H	
FFFFF202H	A/D converter channel specification register	ADA0S		√	√		00H	
FFFFF203H	A/D converter mode register 2	ADA0M2		√	√		00H	
FFFFF204H	Power-fail compare mode register	ADA0PFM		√	√		00H	
FFFFF205H	Power-fail compare threshold value register	ADA0PFT		√	√		00H	
FFFFF210H	A/D conversion result register 0	ADA0CR0		R			√	Undefined
FFFFF211H	A/D conversion result register 0H	ADA0CR0H				√		Undefined
FFFFF212H	A/D conversion result register 1	ADA0CR1						√
FFFFF213H	A/D conversion result register 1H	ADA0CR1H			√		Undefined	
FFFFF214H	A/D conversion result register 2	ADA0CR2					√	Undefined
FFFFF215H	A/D conversion result register 2H	ADA0CR2H			√		Undefined	
FFFFF216H	A/D conversion result register 3	ADA0CR3					√	Undefined
FFFFF217H	A/D conversion result register 3H	ADA0CR3H			√		Undefined	
FFFFF218H	A/D conversion result register 4	ADA0CR4					√	Undefined
FFFFF219H	A/D conversion result register 4H	ADA0CR4H			√		Undefined	

Address	Function Register Name	Symbol	R/W	Manipulatable Bits			Default Value	
				1	8	16		
FFFFF21AH	A/D conversion result register 5	ADA0CR5	R			√	Undefined	
FFFFF21BH	A/D conversion result register 5H	ADA0CR5H			√		Undefined	
FFFFF21CH	A/D conversion result register 6	ADA0CR6				√	Undefined	
FFFFF21DH	A/D conversion result register 6H	ADA0CR6H			√		Undefined	
FFFFF21EH	A/D conversion result register 7	ADA0CR7				√	Undefined	
FFFFF21FH	A/D conversion result register 7H	ADA0CR7H			√		Undefined	
FFFFF220H	A/D conversion result register 8	ADA0CR8				√	Undefined	
FFFFF221H	A/D conversion result register 8H	ADA0CR8H			√		Undefined	
FFFFF222H	A/D conversion result register 9	ADA0CR9				√	Undefined	
FFFFF223H	A/D conversion result register 9H	ADA0CR9H			√		Undefined	
FFFFF224H	A/D conversion result register 10	ADA0CR10				√	Undefined	
FFFFF225H	A/D conversion result register 10H	ADA0CR10H			√		Undefined	
FFFFF226H	A/D conversion result register 11	ADA0CR11				√	Undefined	
FFFFF227H	A/D conversion result register 11H	ADA0CR11H			√		Undefined	
FFFFF228H	A/D conversion result register 12	ADA0CR12				√	Undefined	
FFFFF229H	A/D conversion result register 12H	ADA0CR12H			√		Undefined	
FFFFF22AH	A/D conversion result register 13	ADA0CR13				√	Undefined	
FFFFF22BH	A/D conversion result register 13H	ADA0CR13H			√		Undefined	
FFFFF22CH	A/D conversion result register 14	ADA0CR14				√	Undefined	
FFFFF22DH	A/D conversion result register 14H	ADA0CR14H			√		Undefined	
FFFFF22EH	A/D conversion result register 15	ADA0CR15				√	Undefined	
FFFFF22FH	A/D conversion result register 15H	ADA0CR15H			√		Undefined	
FFFFF300H	Key return mode register	KRM		R/W	√	√		00H
FFFFF308H	Selector operation control register 0	SELCNT0			√	√		00H
FFFFF318H	Noise elimination control register	NFC	√		√		00H	
FFFFF400H	Port 0	P0	√		√		Undefined	
FFFFF402H	Port 1	P1	√		√		Undefined	
FFFFF406H	Port 3	P3				√	Undefined	
FFFFF406H	Port 3L	P3L	√		√		Undefined	
FFFFF407H	Port 3H	P3H	√		√		Undefined	
FFFFF408H	Port 4	P4	√		√		Undefined	
FFFFF40AH	Port 5	P5	√		√		Undefined	
FFFFF40EH	Port 7L	P7L	√		√		Undefined	
FFFFF40FH	Port 7H	P7H	√		√		Undefined	
FFFFF412H	Port 9	P9				√	Undefined	
FFFFF412H	Port 9L	P9L	√		√		Undefined	
FFFFF413H	Port 9H	P9H	√		√		Undefined	
FFFFF420H	Port mode register 0	PM0	√		√		FFH	
FFFFF422H	Port mode register 1	PM1	√		√		FFH	
FFFFF426H	Port mode register 3	PM3				√	FFFFH	
FFFFF426H	Port mode register 3L	PM3L	√		√		FFH	
FFFFF427H	Port mode register 3H	PM3H	√		√		FFH	

Address	Function Register Name	Symbol	R/W	Manipulatable Bits			Default Value
				1	8	16	
FFFFF428H	Port mode register 4	PM4	R/W	√	√		FFH
FFFFF42AH	Port mode register 5	PM5		√	√		FFH
FFFFF42EH	Port mode register 7L	PM7L		√	√		FFH
FFFFF42FH	Port mode register 7H	PM7H		√	√		FFH
FFFFF432H	Port mode register 9	PM9				√	FFFFH
FFFFF432H	Port mode register 9L	PM9L		√	√		FFH
FFFFF433H	Port mode register 9H	PM9H		√	√		FFH
FFFFF440H	Port mode control register 0	PMC0		√	√		00H
FFFFF442H	Port mode control register 1	PMC1		√	√		00H
FFFFF446H	Port mode control register 3	PMC3				√	0000H
FFFFF446H	Port mode control register 3L	PMC3L		√	√		00H
FFFFF448H	Port mode control register 4	PMC4		√	√		00H
FFFFF44AH	Port mode control register 5	PMC5		√	√		00H
FFFFF452H	Port mode control register 9	PMC9				√	0000H
FFFFF452H	Port mode control register 9L	PMC9L		√	√		00H
FFFFF453H	Port mode control register 9H	PMC9H		√	√		00H
FFFFF460H	Port function control register 0	PFC0		√	√		00H
FFFFF466H	Port function control register 3L	PFC3L		√	√		00H
FFFFF46AH	Port function control register 5	PFC5		√	√		00H
FFFFF472H	Port function control register 9	PFC9				√	0000H
FFFFF472H	Port function control register 9L	PFC9L		√	√		00H
FFFFF473H	Port function control register 9H	PFC9H		√	√		00H
FFFFF540H	TMQ0 control register 0	TQ0CTL0		√	√		00H
FFFFF541H	TMQ0 control register 1	TQ0CTL1	√	√		00H	
FFFFF542H	TMQ0 I/O control register 0	TQ0IOC0	√	√		00H	
FFFFF543H	TMQ0 I/O control register 1	TQ0IOC1	√	√		00H	
FFFFF544H	TMQ0 I/O control register 2	TQ0IOC2	√	√		00H	
FFFFF545H	TMQ0 option register 0	TQ0OPT0	√	√		00H	
FFFFF546H	TMQ0 capture/compare register 0	TQ0CCR0			√	0000H	
FFFFF548H	TMQ0 capture/compare register 1	TQ0CCR1			√	0000H	
FFFFF54AH	TMQ0 capture/compare register 2	TQ0CCR2			√	0000H	
FFFFF54CH	TMQ0 capture/compare register 3	TQ0CCR3			√	0000H	
FFFFF54EH	TMQ0 counter read buffer register	TQ0CNT	R		√	0000H	
FFFFF590H	TMP0 control register 0	TP0CTL0	R/W	√	√		00H
FFFFF591H	TMP0 control register 1	TP0CTL1		√	√		00H
FFFFF592H	TMP0 I/O control register 0	TP0IOC0		√	√		00H
FFFFF593H	TMP0 I/O control register 1	TP0IOC1		√	√		00H
FFFFF594H	TMP0 I/O control register 2	TP0IOC2		√	√		00H
FFFFF595H	TMP0 option register 0	TP0OPT0		√	√		00H
FFFFF596H	TMP0 capture/compare register 0	TP0CCR0				√	0000H
FFFFF598H	TMP0 capture/compare register 1	TP0CCR1				√	0000H
FFFFF59AH	TMP0 counter read buffer register	TP0CNT		R		√	0000H



Address	Function Register Name	Symbol	R/W	Manipulatable Bits			Default Value
				1	8	16	
FFFFF5A0H	TMP1 control register 0	TP1CTL0	R/W	√	√		00H
FFFFF5A1H	TMP1 control register 1	TP1CTL1		√	√		00H
FFFFF5A2H	TMP1 I/O control register 0	TP1IOC0		√	√		00H
FFFFF5A3H	TMP1 I/O control register 1	TP1IOC1		√	√		00H
FFFFF5A4H	TMP1 I/O control register 2	TP1IOC2		√	√		00H
FFFFF5A5H	TMP1 option register 0	TP1OPT0		√	√		00H
FFFFF5A6H	TMP1 capture/compare register 0	TP1CCR0				√	0000H
FFFFF5A8H	TMP1 capture/compare register 1	TP1CCR1				√	0000H
FFFFF5AAH	TMP1 counter read buffer register	TP1CNT	R			√	0000H
FFFFF5B0H	TMP2 control register 0	TP2CTL0	R/W	√	√		00H
FFFFF5B1H	TMP2 control register 1	TP2CTL1		√	√		00H
FFFFF5B2H	TMP2 I/O control register 0	TP2IOC0		√	√		00H
FFFFF5B3H	TMP2 I/O control register 1	TP2IOC1		√	√		00H
FFFFF5B4H	TMP2 I/O control register 2	TP2IOC2		√	√		00H
FFFFF5B5H	TMP2 option register 0	TP2OPT0		√	√		00H
FFFFF5B6H	TMP2 capture/compare register 0	TP2CCR0				√	0000H
FFFFF5B8H	TMP2 capture/compare register 1	TP2CCR1				√	0000H
FFFFF5BAH	TMP2 counter read buffer register	TP2CNT	R			√	0000H
FFFFF5C0H	TMP3 control register 0	TP3CTL0	R/W	√	√		00H
FFFFF5C1H	TMP3 control register 1	TP3CTL1		√	√		00H
FFFFF5C2H	TMP3 I/O control register 0	TP3IOC0		√	√		00H
FFFFF5C3H	TMP3 I/O control register 1	TP3IOC1			√		00H
FFFFF5C4H	TMP3 I/O control register 2	TP3IOC2		√	√		00H
FFFFF5C5H	TMP3 option register 0	TP3OPT0		√	√		00H
FFFFF5C6H	TMP3 capture/compare register 0	TP3CCR0				√	0000H
FFFFF5C8H	TMP3 capture/compare register 1	TP3CCR1				√	0000H
FFFFF5CAH	TMP3 counter read buffer register	TP3CNT	R			√	0000H
FFFFF610H	TMQ1 control register 0	TQ1CTL0	R/W	√	√		00H
FFFFF611H	TMQ1 control register 1	TQ1CTL1		√	√		00H
FFFFF612H	TMQ1 I/O control register 0	TQ1IOC0		√	√		00H
FFFFF613H	TMQ1 I/O control register 1	TQ1IOC1		√	√		00H
FFFFF614H	TMQ1 I/O control register 2	TQ1IOC2		√	√		00H
FFFFF615H	TMQ1 timer option register 0	TQ1OPT0		√	√		00H
FFFFF616H	TMQ1 capture/compare register 0	TQ1CCR0				√	0000H
FFFFF618H	TMQ1 capture/compare register 1	TQ1CCR1				√	0000H
FFFFF61AH	TMQ1 capture/compare register 2	TQ1CCR2				√	0000H
FFFFF61CH	TMQ1 capture/compare register 3	TQ1CCR3				√	0000H
FFFFF61EH	TMQ1 counter read buffer register	TQ1CNT		R			√
FFFFF680H	Watch timer operation mode register	WTM	R/W	√	√		00H
FFFFF690H	TMM0 control register 0	TM0CTL0		√	√		00H
FFFFF694H	TMM0 compare register 0	TM0CMP0				√	0000H
FFFFF6C0H	Oscillation stabilization time select register	OSTS			√		06H

Address	Function Register Name	Symbol	R/W	Manipulatable Bits			Default Value
				1	8	16	
FFFFF6C1H	PLL lockup time specification register	PLLS	R/W		√		03H
FFFFF6D0H	Watchdog timer mode register 2	WDTM2		√	√		67H
FFFFF6D1H	Watchdog timer enable register	WDTE			√		9AH
FFFFF706H	Port function control expansion register 3L	PFCE3L		√	√		00H
FFFFF70AH	Port function control expansion register 5	PFCE5		√	√		00H
FFFFF712H	Port function control expansion register 9	PFCE9				√	0000H
FFFFF712H	Port function control expansion register 9L	PFCE9L		√	√		00H
FFFFF713H	Port function control expansion register 9H	PFCE9H		√	√		00H
FFFFF802H	System status register	SYS		√	√		00H
FFFFF80CH	Internal oscillation mode register	RCM		√	√		00H
FFFFF810H	DMA trigger factor register 0	DTFR0		√	√		00H
FFFFF812H	DMA trigger factor register 1	DTFR1		√	√		00H
FFFFF814H	DMA trigger factor register 2	DTFR2		√	√		00H
FFFFF816H	DMA trigger factor register 3	DTFR3		√	√		00H
FFFFF820H	Power save mode register	PSMR		√	√		00H
FFFFF824H	Lock register	LOCKR	R	√	√	00H	
FFFFF828H	Processor clock control register	PCC	R/W	√	√	03H	
FFFFF82CH	PLL control register	PLLCTL		√	√	01H	
FFFFF82EH	CPU operating clock status register	CCLS	R	√	√	00H	
FFFFF82FH	Programmable clock mode register	PCLM	R/W	√	√	00H	
FFFFF870H	Clock monitor mode register	CLM		√	√	00H	
FFFFF888H	Reset source flag register	RESF		√	√	00H	
FFFFF890H	Low-voltage detection register	LVIM		√	√	00H	
FFFFF891H	Low-voltage detection level select register	LVIS			√	00H	
FFFFF892H	Internal RAM data status register	RAMS		√	√	01H	
FFFFF8B0H	Prescaler mode register 0	PRSM0			√	00H	
FFFFF8B1H	Prescaler compare register 0	PRSCM0			√	00H	
FFFFF9FCH	On-chip debug mode register	OCDM		√	√	01H	
FFFFF9FEH	Peripheral emulation register 1	PEMU1		√	√	00H	
FFFFFA00H	UARTA0 control register 0	UA0CTL0		√	√	10H	
FFFFFA01H	UARTA0 control register 1	UA0CTL1			√	00H	
FFFFFA02H	UARTA0 control register 2	UA0CTL2			√	FFH	
FFFFFA03H	UARTA0 option control register 0	UA0OPT0		√	√	14H	
FFFFFA04H	UARTA0 status register	UA0STR		√	√	00H	
FFFFFA06H	UARTA0 receive data register	UA0RX	R		√	FFH	
FFFFFA07H	UARTA0 transmit data register	UA0TX	R/W		√	FFH	
FFFFFA10H	UARTA1 control register 0	UA1CTL0		√	√	10H	
FFFFFA11H	UARTA1 control register 1	UA1CTL1			√	00H	
FFFFFA12H	UARTA1 control register 2	UA1CTL2			√	FFH	
FFFFFA13H	UARTA1 option control register 0	UA1OPT0		√	√	14H	
FFFFFA14H	UARTA1 status register	UA1STR		√	√	00H	

**Caution** For details of the OCDM register, see CHAPTER 25 ON-CHIP DEBUG FUNCTION.

Address	Function Register Name	Symbol	R/W	Manipulatable Bits			Default Value
				1	8	16	
FFFFFFA16H	UARTA1 receive data register	UA1RX	R		√		FFH
FFFFFFA17H	UARTA1 transmit data register	UA1TX	R/W		√		FFH
FFFFFFA20H	UARTA2 control register 0	UA2CTL0		√	√		10H
FFFFFFA21H	UARTA2 control register 1	UA2CTL1			√		00H
FFFFFFA22H	UARTA2 control register 2	UA2CTL2			√		FFH
FFFFFFA23H	UARTA2 option control register 0	UA2OPT0		√	√		14H
FFFFFFA24H	UARTA2 status register	UA2STR		√	√		00H
FFFFFFA26H	UARTA2 receive data register	UA2RX		R		√	
FFFFFFA27H	UARTA2 transmit data register	UA2TX	R/W		√		FFH
FFFFFFB00H	TIP00 pin noise elimination control register	P00NFC		√	√		00H
FFFFFFB04H	TIP01 pin noise elimination control register	P01NFC		√	√		00H
FFFFFFB08H	TIP10 pin noise elimination control register	P10NFC		√	√		00H
FFFFFFB0CH	TIP11 pin noise elimination control register	P11NFC		√	√		00H
FFFFFFB10H	TIP20 pin noise elimination control register	P20NFC		√	√		00H
FFFFFFB14H	TIP21 pin noise elimination control register	P21NFC		√	√		00H
FFFFFFB18H	TIP30 pin noise elimination control register	P30NFC		√	√		00H
FFFFFFB1CH	TIP31 pin noise elimination control register	P31NFC		√	√		00H
FFFFFFB50H	TIQ00 pin noise elimination control register	Q00NFC		√	√		00H
FFFFFFB54H	TIQ01 pin noise elimination control register	Q01NFC		√	√		00H
FFFFFFB58H	TIQ02 pin noise elimination control register	Q02NFC		√	√		00H
FFFFFFB5CH	TIQ03 pin noise elimination control register	Q03NFC		√	√		00H
FFFFFFB60H	TIQ10 pin noise elimination control register	Q10NFC		√	√		00H
FFFFFFB64H	TIQ11 pin noise elimination control register	Q11NFC		√	√		00H
FFFFFFB68H	TIQ12 pin noise elimination control register	Q12NFC		√	√		00H
FFFFFFB6CH	TIQ13 pin noise elimination control register	Q13NFC		√	√		00H
FFFFFFC00H	External interrupt falling edge specification register 0	INTF0		√	√		00H
FFFFFFC02H	External interrupt falling edge specification register 1	INTF1		√	√		00H
FFFFFFC06H	External interrupt falling edge specification register 3	INTF3			√	0000H	
FFFFFFC06H	External interrupt falling edge specification register 3L	INTF3L	√	√		00H	
FFFFFFC13H	External interrupt falling edge specification register 9H	INTF9H	√	√		00H	
FFFFFFC20H	External interrupt rising edge specification register 0	INTR0	√	√		00H	
FFFFFFC22H	External interrupt rising edge specification register 1	INTR1	√	√		00H	
FFFFFFC26H	External interrupt rising edge specification register 3	INTR3			√	0000H	
FFFFFFC26H	External interrupt rising edge specification register 3L	INTR3L	√	√		00H	
FFFFFFC33H	External interrupt rising edge specification register 9H	INTR9H	√	√		00H	
FFFFFFC40H	Pull-up resistor option register 0	PU0	√	√		00H	
FFFFFFC42H	Pull-up resistor option register 1	PU1	√	√		00H	
FFFFFFC46H	Pull-up resistor option register 3	PU3			√	0000H	
FFFFFFC46H	Pull-up resistor option register 3L	PU3L	√	√		00H	
FFFFFFC47H	Pull-up resistor option register 3H	PU3H	√	√		00H	
FFFFFFC48H	Pull-up resistor option register 4	PU4	√	√		00H	
FFFFFFC4AH	Pull-up resistor option register 5	PU5	√	√		00H	

Address	Function Register Name	Symbol	R/W	Manipulatable Bits			Default Value
				1	8	16	
FFFFFC52H	Pull-up resistor option register 9	PU9	R/W			√	0000H
FFFFFC52H	Pull-up resistor option register 9L	PU9L		√	√		00H
FFFFFC53H	Pull-up resistor option register 9H	PU9H		√	√		00H
FFFFFD00H	CSIB0 control register 0	CB0CTL0		√	√		01H
FFFFFD01H	CSIB0 control register 1	CB0CTL1		√	√		00H
FFFFFD02H	CSIB0 control register 2	CB0CTL2			√		00H
FFFFFD03H	CSIB0 status register	CB0STR		√	√		00H
FFFFFD04H	CSIB0 receive data register	CB0RX	R			√	0000H
FFFFFD04H	CSIB0 receive data register L	CB0RXL			√		00H
FFFFFD06H	CSIB0 transmit data register	CB0TX	R/W			√	0000H
FFFFFD06H	CSIB0 transmit data register L	CB0TXL			√		00H
FFFFFD10H	CSIB1 control register 0	CB1CTL0		√	√		01H
FFFFFD11H	CSIB1 control register 1	CB1CTL1		√	√		00H
FFFFFD12H	CSIB1 control register 2	CB1CTL2		√		00H	
FFFFFD13H	CSIB1 status register	CB1STR	√	√		00H	
FFFFFD14H	CSIB1 receive data register	CB1RX	R			√	0000H
FFFFFD14H	CSIB1 receive data register L	CB1RXL			√		00H
FFFFFD16H	CSIB1 transmit data register	CB1TX	R/W			√	0000H
FFFFFD16H	CSIB1 transmit data register L	CB1TXL			√		00H

### 3.4.7 Special registers

Special registers are registers that are protected from being written with illegal data due to an inadvertent program loop. The V850ES/HG2 has the following seven special registers.

- Power save control register (PSC)
- Processor clock control register (PCC)
- Clock monitor mode register (CLM)
- Reset source flag register (RESF)
- Low-voltage detection register (LVIM)
- Internal RAM data status register (RAMS)
- On-chip debug mode register (OCDM)

In addition, the PRCDM register is provided to protect against a write access to the special registers so that the application system does not inadvertently stop due to an inadvertent program loop. A write access to the special registers is made in a specific sequence, and an illegal store operation is reported to the SYS register.

**(1) Setting data to special registers**

Set data to the special registers in the following sequence.

- <1> Disable DMA operation.
- <2> Prepare data to be set to the special register in a general-purpose register.
- <3> Write the data prepared in <2> to the PRCMD register.
- <4> Write the setting data to the special register (by using the following instructions).
  - Store instruction (ST/SST instruction)
  - Bit manipulation instruction (SET1/CLR1/NOT1 instruction)
- (<5> to <9> Insert NOP instructions (5 instructions).)<sup>Note</sup>
- <10> Enable DMA operation if necessary.

[Example] With PSC register (setting standby mode)

```

    ST.B r11, PSMR[r0] ; Set PSMR register (setting IDLE1, IDLE2, and STOP modes).
<1>CLR1 0, DCHCn[r0] ; Disable DMA operation. n = 0 to 3
<2>MOV0x02, r10
<3>ST.B r10, PRCMD[r0] ; Write PRCMD register.
<4>ST.B r10, PSC[r0] ; Set PSC register.
<5>NOPNote ; Dummy instruction
<6>NOPNote ; Dummy instruction
<7>NOPNote ; Dummy instruction
<8>NOPNote ; Dummy instruction
<9>NOPNote ; Dummy instruction
<10>SET1 0, DCHCn[r0] ; Enable DMA operation. n = 0 to 3
(next instruction)

```

There is no special sequence to read a special register.

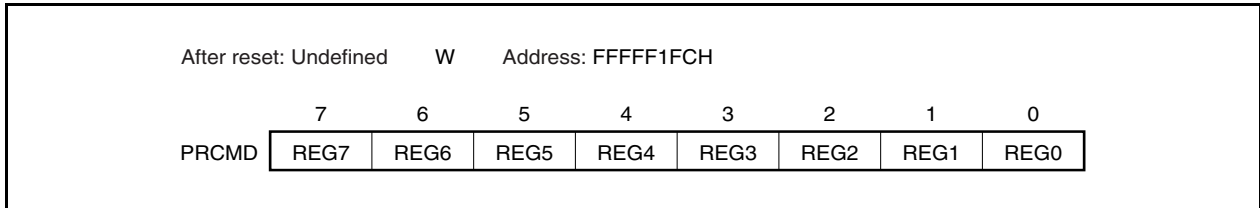
**Note** Five NOP instructions or more must be inserted immediately after setting the IDLE1 mode, IDLE2 mode, or STOP mode (by setting the PSC.STP bit to 1).

- Cautions 1.** When a store instruction is executed to store data in the command register, interrupts are not acknowledged. This is because it is assumed that steps <3> and <4> above are performed by successive store instructions. If another instruction is placed between <3> and <4>, and if an interrupt is acknowledged by that instruction, the above sequence may not be established, causing malfunction.
- 2.** Although dummy data is written to the PRCMD register, use the same general-purpose register used to set the special register (<4> in Example) to write data to the PRCMD register (<3> in Example). The same applies when a general-purpose register is used for addressing.

**(2) Command register (PRCMD)**

The PRCMD register is an 8-bit register that protects the registers that may seriously affect the application system from being written, so that the system does not inadvertently stop due to an inadvertent program loop. The first write access to a special register is valid after data has been written in advance to the PRCMD register. In this way, the value of the special register can be rewritten only in a specific sequence, so as to protect the register from an illegal write access.

The PRCMD register is write-only, in 8-bit units (undefined data is read when this register is read).



**(3) System status register (SYS)**

Status flags that indicate the operation status of the overall system are allocated to this register.

This register can be read or written in 8-bit or 1-bit units.

Reset sets this register to 00H.

After reset: 00H		R/W	Address: FFFFF802H					
	7	6	5	4	3	2	1	0
SYS	0	0	0	0	0	0	0	PRERR
	PRERR	Detects protection error						
	0	Protection error did not occur						
	1	Protection error occurred						

The PRERR flag operates under the following conditions.

**(a) Set condition (PRERR flag = 1)**

- (i) When data is written to a special register without writing anything to the PRCMD register (when <4> is executed without executing <3> in **3.4.7 (1) Setting data to special registers**)
- (ii) When data is written to an on-chip peripheral I/O register other than a special register (including execution of a bit manipulation instruction) after writing data to the PRCMD register (if <4> in **3.4.7 (1) Setting data to special registers** is not the setting of a special register)

**Remark** Even if an on-chip peripheral I/O register is read (except by a bit manipulation instruction) between an operation to write the PRCMD register and an operation to write a special register, the PRERR flag is not set, and the set data can be written to the special register.

**(b) Clear condition (PRERR flag = 0)**

- (i) When 0 is written to the PRERR flag
- (ii) When the system is reset

**Cautions 1.** If 0 is written to the PRERR bit of the SYS register, which is not a special register, immediately after a write access to the PRCMD register, the PRERR bit is cleared to 0 (the write access takes precedence).

**2.** If data is written to the PRCMD register, which is not a special register, immediately after a write access to the PRCMD register, the PRERR bit is set to 1.



### 3.4.8 Cautions

#### (1) Registers to be set first

Be sure to set the following registers first when using the V850ES/HG2.

- System wait control register (VSWC)
- On-chip debug mode register (OCDM)
- Watchdog timer mode register 2 (WDTM2)

After setting the VSWC, OCDM, and WDTM2 registers, set the other registers as necessary.

When using the external bus, set each pin to the alternate-function bus control pin mode by using the port-related registers after setting the above registers.

#### (a) System wait control register (VSWC)

The VSWC register controls wait of bus access to the on-chip peripheral I/O registers.

Three clocks are required to access an on-chip peripheral I/O register (without a wait cycle). The V850ES/HG2 requires wait cycles according to the operating frequency. Set the following value to the VSWC register in accordance with the frequency used.

The VSWC register can be read or written in 8-bit units (address: FFFFF06EH, default value: 77H).

Operating Frequency ( $f_{CLK}$ )	Set Value of VSWC	Number of Waits
$32 \text{ kHz} \leq f_{CLK} < 16.6 \text{ MHz}$	00H	0 (no waits)
$16.6 \text{ MHz} \leq f_{CLK} \leq 20 \text{ MHz}$	01H	1

#### (b) On-chip debug mode register (OCDM)

For details, see **CHAPTER 25 ON-CHIP DEBUG FUNCTION**.

#### (c) Watchdog timer mode register 2 (WDTM2)

The WDTM2 register sets the overflow time and the operation clock of watchdog timer 2.

Watchdog timer 2 automatically starts in the reset mode after reset is released. Write the WDTM2 register to activate this operation.

For details, see **CHAPTER 10 FUNCTIONS OF WATCHDOG TIMER 2**.

**(2) Accessing specific on-chip peripheral I/O registers**

This product has two types of internal system buses.

One is a CPU bus and the other is a peripheral bus that interfaces with low-speed peripheral hardware.

The clock of the CPU bus and the clock of the peripheral bus are asynchronous. If an access to the CPU and an access to the peripheral hardware conflict, therefore, unexpected illegal data may be transferred. If there is a possibility of a conflict, the number of cycles for accessing the CPU changes when the peripheral hardware is accessed, so that correct data is transferred. As a result, the CPU does not start processing of the next instruction but enters the wait state. If this wait state occurs, the number of clocks required to execute an instruction increases by the number of wait clocks shown below.

This must be taken into consideration if real-time processing is required.

When specific on-chip peripheral I/O registers are accessed, more wait states may be required in addition to the wait states set by the VSWC register.

The access conditions and how to calculate the number of wait states to be inserted (number of CPU clocks) at this time are shown below.

Peripheral Function	Register Name	Access	k
16-bit timer/event counter P (TMP) (n = 0 to 3)	TPnCNT	Read	1 or 2
	TPnCCR0, TPnCCR1	Write	<ul style="list-style-type: none"> <li>• 1st access: No wait</li> <li>• Continuous write: 3 or 4</li> </ul>
		Read	1 or 2
16-bit timer/event counter Q (TMQ) (m = 0, 1)	TQmCNT	Read	1 or 2
	TQmCCR0 to TQmCCR3	Write	<ul style="list-style-type: none"> <li>• 1st access: No wait</li> <li>• Continuous write: 3 or 4</li> </ul>
		Read	1 or 2
Watchdog timer 2 (WDT2)	WDTM2	Write (when WDT2 operating)	3
A/D converter	ADA0M0	Read	1 or 2
	ADA0CR0 to ADA0CR15	Read	1 or 2
	ADA0CR0H to ADA0CR15H	Read	1 or 2

Number of clocks necessary for access =  $3 + i + j + (2 + j) \times k$

**Caution** Accessing the above registers is prohibited in the following statuses. If a wait cycle is generated, it can only be cleared by a reset.

- When the CPU operates with the subclock and the main clock oscillation is stopped
- When the CPU operates with the internal oscillation clock

**Remark** i: Values (0 or 1) of higher 4 bits of VSWC register

j: Values (0 or 1) of lower 4 bits of VSWC register

**(3) Restriction on conflict between sld instruction and interrupt request****(a) Description**

If a conflict occurs between the decode operation of an instruction in <2> immediately before the sld instruction following an instruction in <1> and an interrupt request before the instruction in <1> is complete, the execution result of the instruction in <1> may not be stored in a register.

Instruction <1>

- ld instruction: ld.b, ld.h, ld.w, ld.bu, ld.hu
- sld instruction: sld.b, sld.h, sld.w, sld.bu, sld.hu
- Multiplication instruction: mul, mulh, mulhi, mulu

Instruction <2>

mov reg1, reg2	not reg1, reg2	satsubr reg1, reg2	satsub reg1, reg2
satadd reg1, reg2	satadd imm5, reg2	or reg1, reg2	xor reg1, reg2
and reg1, reg2	tst reg1, reg2	subr reg1, reg2	sub reg1, reg2
add reg1, reg2	add imm5, reg2	cmp reg1, reg2	cmp imm5, reg2
mulh reg1, reg2	shr imm5, reg2	sar imm5, reg2	shl imm5, reg2

<Example>

<i> ld.w [r11], r10  
 •  
 •  
 •

If the decode operation of the mov instruction <ii> immediately before the sld instruction <iii> and an interrupt request conflict before execution of the ld instruction <i> is complete, the execution result of instruction <i> may not be stored in a register.

<ii> mov r10, r28

<iii> sld.w 0x28, r10

**(b) Countermeasure**

<1> When compiler (CA850) is used

Use CA850 Ver. 2.61 or later because generation of the corresponding instruction sequence can be automatically suppressed.

<2> Countermeasure by assembler

When executing the sld instruction immediately after instruction <ii>, avoid the above operation using either of the following methods.

- Insert a nop instruction immediately before the sld instruction.
- Do not use the same register as the sld instruction destination register in the above instruction <ii> executed immediately before the sld instruction.

## CHAPTER 4 PORT FUNCTIONS

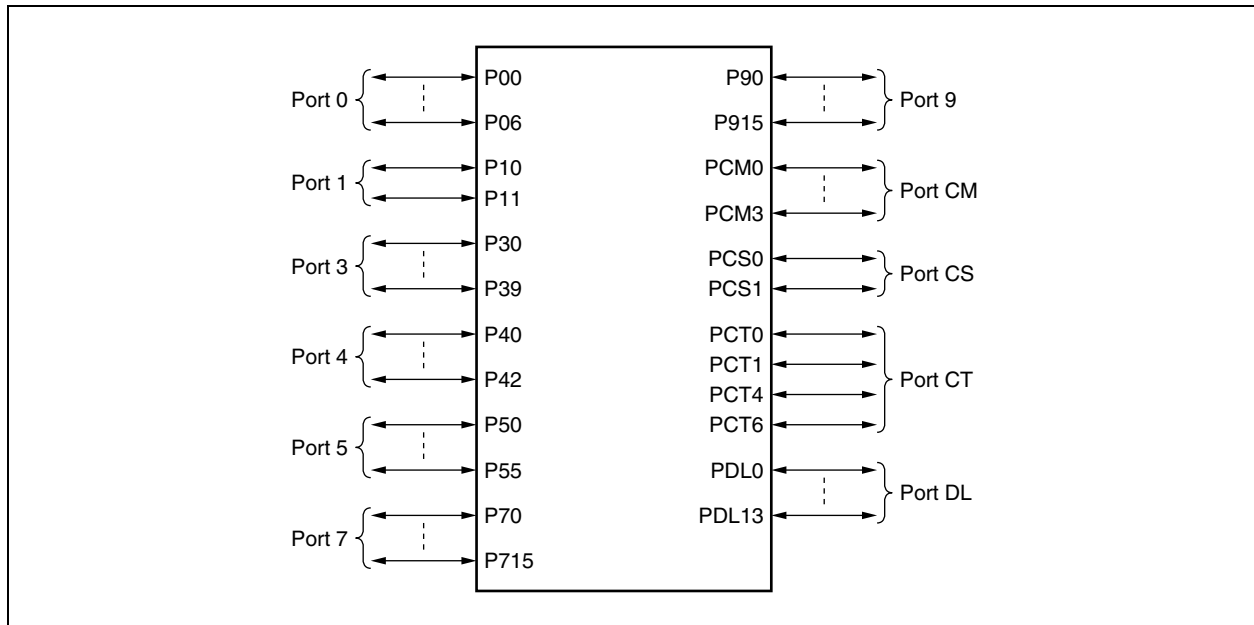
### 4.1 Features

- I/O ports: 84
- Port pins function alternately as other peripheral-function I/O pins
- Can be set in input or output mode in 1-bit units.

### 4.2 Basic Configuration of Ports

The V850ES/HG2 has a total of 84 I/O ports, ports 0, 1, 3 to 5, 7, 9, CM, CS, CT, and DL. The port configuration is shown below.

**Figure 4-1. Port Configuration**



**Table 4-1. Configuration of Ports**

Item	Configuration
Control registers	Port mode register (PMn: n = 0, 1, 3, 4, 5, 7L, 7H, 9, CM, CS, CT, or DL)
	Port mode control register (PMcN: n = 0, 1, 3, 4, 5, 9, or CM)
	Port function control register (PFCn: n = 0, 3L, 5, or 9)
	Port function control expansion register (PFCEn: n = 3L, 5, or 9)
	Pull-up resistor option register (PUn: n = 0, 1, 3, 4, 5, or 9)
Ports	84

**Table 4-2. Pin I/O Buffer Power Supplies**

Power Supply	Corresponding Pin
AV <sub>REF0</sub>	Port 7
BV <sub>DD</sub>	Port CM, port CS, port CT, port DL
EV <sub>DD</sub>	Port 0, port 1, port 3, port 4, port 5, port 9, $\overline{\text{RESET}}$

## 4.3 Port Functions

### 4.3.1 Operation of port function

The operation of a port differs depending on setting of the input or output mode, as follows.

#### (1) Writing to I/O port

##### (a) In output mode

A value can be written to the output latch by using a transfer instruction. The contents of the output latch are output from the pin. Once data has been written to the output latch, it is retained until new data is written to the output latch.

##### (b) In input mode

A value can be written to the output latch by using a transfer instruction. Because the output buffer is off, however, the status of the pin remains unchanged.

Once data has been written to the output latch, it is retained until new data is written to the output latch.

**Caution** Although a 1-bit memory manipulation instruction manipulates 1 bit, it accesses a port in 8-bit units. If a port has a mixture of input and output pins, therefore, the contents of the output latch of a pin set in the input mode become undefined, even if the pin is not subject to manipulation.

#### (2) Reading from I/O port

##### (a) In output mode

The contents of the output latch can be read by using a transfer instruction. The contents of the output latch are not changed.

##### (b) In input mode

The status of the pin can be read by using a transfer instruction. The contents of the output latch are not changed.

#### (3) Operation of I/O port

##### (a) In output mode

An operation is performed on the contents of the output latch and the result is written to the output latch. The contents of the output latch are output from the pin.

Once data has been written to the output latch, it is retained until new data is written to the output latch.

##### (b) In input mode

The contents of the output latch become undefined. Because the output buffer is off, however, the status of the pin remains unchanged.

**Caution** Although a 1-bit memory manipulation instruction manipulates 1 bit, it accesses a port in 8-bit units. If a port has a mixture of input and output pins, therefore, the contents of the output latch of a pin set in the input mode become undefined, even if the pin is not subject to manipulation.

### 4.3.2 Notes on setting port pins

(1) The number of ports and alternate functions differs depending on the product. Set the registers related to the unavailable ports and alternate functions to the value after reset.

(2) Set the registers of the ports using the following procedure.

<1> Set port function control register n (PFCn) and port function control expansion register n (PFCEn).

<2> Set port mode control register n (PMCn).

<3> Set external interrupt falling edge specification register n (INTFn) and external interrupt rising edge specification register n (INTRn).

If the PFCn and PFCEn registers are set after the PMCn register was set, an unexpected peripheral function pin may be set while the PFCn and PFCEn registers are being set.

(3) The PUnm bit (which connects an on-chip pull-up resistor) of the PUn register is valid only in the input mode (PMnm bit of PMn register = 1). In the output mode (PMnm bit of PMn register = 0), the on-chip pull-up register is disconnected by hardware.

(4) Reading the pin level and port latch is controlled by the port mode register (PMn). The same applies when an alternate function is used.

(5) The Schmitt (SHMT)-trigger input buffer does not operate as an SHMT buffer when it is read in the port mode.

### 4.3.3 Port 0

Port 0 is a 7-bit port (P00 to P06) for which I/O settings can be controlled in 1-bit units.

#### (1) Functions of port 0

- The input/output data of the port can be specified in 1-bit units.  
Specified by port register 0 (P0)
- The input/output mode of the port can be specified in 1-bit units.  
Specified by port mode register 0 (PM0)
- Port mode or control mode (alternate function) can be specified in 1-bit units.  
Specified by port mode control register 0 (PMC0)
- Control mode 1 or control mode 2 can be specified in 1-bit units.  
Specified by port function control register 0 (PFC0)
- An on-chip pull-up resistor can be connected in 1-bit units.  
Specified by pull-up resistor option register 0 (PU0)
- The valid edge of the external interrupt (alternate function) can be specified in 1-bit units.  
Specified by external interrupt falling edge specification register 0 (INTF0) and external interrupt rising edge specification register 0 (INTR0)

Port 0 functions alternately as the following pins.

**Table 4-3. Alternate-Function Pins of Port 0**

Pin Name	Alternate-Function Pin Name	I/O	Remark	Block Type	
Port 0	P00	TP31/TOP31	I/O	-	G-1
	P01	TP30/TOP30			G-1
	P02	NMI <sup>Note 1</sup>			L-1
	P03	INTP0/ADTRG			N-1
	P04	INTP1			L-1
	P05	INTP2/ $\overline{\text{DRST}}$ <sup>Note 2</sup>			AA-1
	P06	INTP3			L-2

- Notes 1.** The NMI pin alternately functions as the P02 pin. It functions as the P02 pin after reset. To enable the NMI pin, set the PMC0.PMC02 bit to 1. The initial setting of the NMI pin is “No edge detected”. Select the NMI pin valid edge using INTF0 and INTR0 registers.
- 2.** The alternate function of the P05 pin is the on-chip debug function. After external reset, the P05/INTP2/ $\overline{\text{DRST}}$  pin is initialized as the on-chip debug pin ( $\overline{\text{DRST}}$ ). To use the P05 pin as a port pin, not as an on-chip debug pin, the following actions must be taken.

<1> Clear the OCDM.OCDM0 bit (special register) to 0.

<2> Fix the P05/INTP2/ $\overline{\text{DRST}}$  pin to the low level until the above action has been taken.

When the on-chip debug function is not used, inputting a high level to the  $\overline{\text{DRST}}$  pin before the above actions are taken may cause a malfunction (CPU deadlock). Exercise utmost care in handling the P05 pin.

When a high level is not input to the P05/INTP2/ $\overline{\text{DRST}}$  pin (when this pin is fixed to low level), it is not necessary to manipulate the OCDM.OCDM0 bit.



Because a pull-down resistor (30 kΩ TYP.) is connected to the buffer of the P05/INTP2/DRST pin, the pin does not have to be fixed to the low level by an external source. The pull-down resistor is disconnected by clearing the OCDM0 bit to 0.

**Caution** The P00 to P06 pins have hysteresis characteristics in the input mode of the alternate function, but do not have hysteresis characteristics in the port mode.

**(2) Registers**

**(a) Port register 0 (P0)**

Port register 0 (P0) is an 8-bit register that controls reading the pin level and writing the output level. This register can be read or written in 8-bit or 1-bit units.

After reset: Undefined	R/W	Address: FFFFF400H						
	7	6	5	4	3	2	1	0
P0	0	P06	P05	P04	P03	P02	P01	P00
P0n	Control of output data (in output mode) (n = 0 to 6)							
0	Output 0.							
1	Output 1.							

**(b) Port mode register 0 (PM0)**

This is an 8-bit register that specifies the input or output mode. It can be read or written in 8-bit or 1-bit units.

After reset: FFH	R/W	Address: FFFFF420H						
	7	6	5	4	3	2	1	0
PM0	1	PM06	PM05	PM04	PM03	PM02	PM01	PM00
PM0n	Control of input/output mode (n = 0 to 6)							
0	Output mode							
1	Input mode							

**(c) Port mode control register 0 (PMC0)**

This is an 8-bit register that specifies the port mode or control mode. It can be read or written in 8-bit or 1-bit units.

After reset: 00H		R/W	Address: FFFFF440H					
	7	6	5	4	3	2	1	0
PMC0	0	PMC06	PMC05	PMC04	PMC03	PMC02	PMC01	PMC00
PMC06	Specification of operation mode of P06 pin							
0	I/O port							
1	INTP3 input							
PMC05	Specification of operation mode of P05 pin							
0	I/O port							
1	INTP2/DRST input							
PMC04	Specification of operation mode of P04 pin							
0	I/O port							
1	INTP1 input							
PMC03	Specification of operation mode of P03 pin							
0	I/O port							
1	INTP0/ADTRG input							
PMC02	Specification of operation mode of P02 pin							
0	I/O port							
1	NMI input							
PMC01	Specification of operation mode of P01 pin							
0	I/O port							
1	TIP30/TOP30 I/O							
PMC00	Specification of operation mode of P00 pin							
0	I/O port							
1	TIP31/TOP31 I/O							

**Caution** The P05/INTP2/DRST pin functions as the DRST pin when the OCDM.OCDM0 bit is 1, regardless of the value of the PMC05 bit.

**(d) Port function control register 0 (PFC0)**

This is an 8-bit register that specifies control mode 1 or control mode 2. It can be read or written in 8-bit or 1-bit units.

After reset: 00H	R/W	Address: FFFFF460H							
		7	6	5	4	3	2	1	0
PFC0		0	0	0	0	PFC03	0	PFC01	PFC00
	PFC03	Specification of operation mode when P03 pin is in control mode							
	0	INTP0 input							
	1	ADTRG input							
	PFC01	Specification of operation mode when P01 pin is in control mode							
	0	TIP30 input							
	1	TOP30 output							
	PFC00	Specification of operation mode when P00 pin is in control mode							
	0	TIP31 input							
	1	TOP31 output							

**(e) Pull-up resistor option register 0 (PU0)**

This is an 8-bit register that specifies connection of an on-chip pull-up resistor. It can be read or written in 8-bit or 1-bit units.

After reset: 00H	R/W	Address: FFFFFC40H							
		7	6	5	4	3	2	1	0
PU0		0	PU06	PU05	PU04	PU03	PU02	PU01	PU00
	PU0n	Control of on-chip pull-up resistor connection (n = 0 to 6)							
	0	Not connected							
	1	Connected							

**(f) External interrupt falling edge specification register 0 (INTF0)**

This is an 8-bit register that specifies detection of the falling edge of the external interrupt pin. It can be read or written in 8-bit or 1-bit units.

- Cautions**
1. When the external interrupt function (alternate function) is switched to the port function, an edge may be detected. Set the port mode after clearing the INTF0n and INTR0n bits to 0.
  2. An analog-delay-based noise eliminator is connected to the external interrupt input pin.
  3. For how to set the internal noise filter (analog delay/digital delay) of INTP3, see CHAPTER 15 INTERRUPT/EXCEPTION PROCESSING FUNCTION.

After reset: 00H	R/W	Address: FFFFFFFC00H						
	7	6	5	4	3	2	1	0
INTF0	0	INTF06	INTF05	INTF04	INTF03	INTF02	0	0

**Remark** See Table 4-4 for how to specify a valid edge.

**(g) External interrupt rising edge specification register 0 (INTR0)**

This is an 8-bit register that specifies detection of the rising edge of the external interrupt pin. It can be read or written in 8-bit or 1-bit units.

- Cautions**
1. When the external interrupt function (alternate function) is switched to the port function, an edge may be detected. Set the port mode after clearing the INTF0n and INTR0n bits to 0.
  2. An analog-delay-based noise eliminator is connected to the external interrupt input pin.
  3. For how to set the internal noise filter (analog delay/digital delay) of INTP3, see CHAPTER 15 INTERRUPT/EXCEPTION PROCESSING FUNCTION.

After reset: 00H	R/W	Address: FFFFFFFC20H						
	7	6	5	4	3	2	1	0
INTR0	0	INTR06	INTR05	INTR04	INTR03	INTR02	0	0

**Remark** See Table 4-4 for how to specify a valid edge.

Table 4-4. Valid Edge Specification

INTF0n Bit	INTR0n Bit	Valid Edge Specification (n = 2 to 6)
0	0	No edge detected
0	1	Rising edge
1	0	Falling edge
1	1	Both edges

**Remark** n = 2: Control of NMI pin  
n = 3: Control of INTP0 pin  
n = 4: Control of INTP1 pin  
n = 5: Control of INTP2 pin  
n = 6: Control of INTP3 pin

**4.3.4 Port 1**

Port 1 is a 2-bit port (P10, P11) for which I/O settings can be controlled in 1-bit units.

**(1) Functions of port 1**

- The input/output data of the port can be specified in 1-bit units.  
Specified by port register 1 (P1)
- The input/output mode of the port can be specified in 1-bit units.  
Specified by port mode register 1 (PM1)
- Port mode or control mode (alternate function) can be specified in 1-bit units.  
Specified by port mode control register 1 (PMC1)
- An on-chip pull-up resistor can be connected in 1-bit units.  
Specified by pull-up resistor option register 1 (PU1)
- The valid edge of the external interrupt (alternate function) can be specified in 1-bit units.  
Specified by external interrupt falling edge specification register 1 (INTF1) and external interrupt rising edge specification register 1 (INTR1)

Port 1 functions alternately as the following pins.

**Table 4-5. Alternate-Function Pins of Port 1**

Pin Name		Alternate-Function Pin Name	I/O	Remark	Block Type
Port 1	P10	INTP9	I/O	-	L-1
	P11	INTP10			L-1

**Caution** The P10 and P11 pins have hysteresis characteristics in the input mode of the alternate function, but do not have hysteresis characteristics in the port mode.

**(2) Registers**

**(a) Port register 1 (P1)**

Port register 1 (P1) is an 8-bit register that controls reading the pin level and writing the output level. This register can be read or written in 8-bit or 1-bit units.

After reset: Undefined		R/W	Address: FFFFF402H					
	7	6	5	4	3	2	1	0
P1	0	0	0	0	0	0	P11	P10
	P1n	Control of output data (in output mode) (n = 0, 1)						
	0	Output 0.						
	1	Output 1.						

**(b) Port mode register 1 (PM1)**

This is an 8-bit register that specifies the input or output mode. It can be read or written in 8-bit or 1-bit units.

After reset: FFH		R/W	Address: FFFFF422H					
	7	6	5	4	3	2	1	0
PM1	1	1	1	1	1	1	PM11	PM10
	PM1n	Control of input/output mode (n = 0, 1)						
	0	Output mode						
	1	Input mode						

**(c) Port mode control register 1 (PMC1)**

This is an 8-bit register that specifies the port mode or control mode. It can be read or written in 8-bit or 1-bit units.

After reset: 00H	R/W	Address: FFFFF442H							
		7	6	5	4	3	2	1	0
PMC1		0	0	0	0	0	0	PMC11	PMC10
PMC11	Specification of operation mode of P11 pin								
0	I/O port								
1	INTP10 input								
PMC10	Specification of operation mode of P10 pin								
0	I/O port								
1	INTP9 input								

**(d) Pull-up resistor option register 1 (PU1)**

This is an 8-bit register that specifies connection of an on-chip pull-up resistor. It can be read or written in 8-bit or 1-bit units.

After reset: 00H	R/W	Address: FFFFFC42H							
		7	6	5	4	3	2	1	0
PU1		0	0	0	0	0	0	PU11	PU10
PU1n	Control of on-chip pull-up resistor connection (n = 0, 1)								
0	Not connected								
1	Connected								



**(e) External interrupt falling edge specification register 1 (INTF1)**

This is an 8-bit register that specifies detection of the falling edge of the external interrupt pin. It can be read or written in 8-bit or 1-bit units.

- Cautions**
1. When the external interrupt function (alternate function) is switched to the port function, an edge may be detected. Set the port mode after clearing the INTF1n and INTR1n bits to 0.
  2. An analog-delay-based noise eliminator is connected to the external interrupt input pin.

After reset: 00H	R/W	Address: FFFFC02H								
	7	6	5	4	3	2	1	0		
INTF1	0	0	0	0	0	0	INTF11	INTF10		

**Remark** See **Table 4-6** for how to specify a valid edge.

**(f) External interrupt rising edge specification register 1 (INTR1)**

This is an 8-bit register that specifies detection of the rising edge of the external interrupt pin. It can be read or written in 8-bit or 1-bit units.

- Cautions**
1. When the external interrupt function (alternate function) is switched to the port function, an edge may be detected. Set the port mode after clearing the INTF1n and INTR1n bits to 0.
  2. An analog-delay-based noise eliminator is connected to the external interrupt input pin.

After reset: 00H	R/W	Address: FFFFC22H								
	7	6	5	4	3	2	1	0		
INTR1	0	0	0	0	0	0	INTR11	INTR10		

**Remark** See **Table 4-6** for how to specify a valid edge.

**Table 4-6. Valid Edge Specification**

INTF1n Bit	INTR1n Bit	Valid Edge Specification (n = 0, 1)
0	0	No edge detected
0	1	Rising edge
1	0	Falling edge
1	1	Both edges

- Remark** n = 0: Control of INTP9 pin  
 n = 1: Control of INTP10 pin

### 4.3.5 Port 3

Port 3 is a 10-bit port (P30 to P39) for which I/O settings can be controlled in 1-bit units.

#### (1) Function of port 3

- The input/output data of the port can be specified in 1-bit units.  
Specified by port register 3 (P3)
- The input/output mode of the port can be specified in 1-bit units.  
Specified by port mode register 3 (PM3)
- Port mode or control mode (alternate function) can be specified in 1-bit units.  
Specified by port mode control register 3 (PMC3)
- Control mode can be specified in 1-bit units.  
Specified by port function control register 3 (PFC3) and port function control expansion register 3L (PFCE3L)
- An on-chip pull-up resistor can be connected in 1-bit units.  
Specified by pull-up resistor option register 3 (PU3)
- The valid edge of the external interrupt (alternate function) can be specified in 1-bit units.  
Specified by external interrupt falling edge specification register 3 (INTF3) and external interrupt rising edge specification register 3 (INTR3)

Port 3 functions alternately as the following pins.

**Table 4-7. Alternate-Function Pins of Port 3**

Pin Name	Alternate-Function Pin Name	I/O	Remark	Block Type	
Port 3	P30	TXDA0	I/O	-	E-2
	P31	RXDA0/INTP7			L-2
	P32	ASCKA0/TIP00/TOP00/TOP01			U-13
	P33	TIP01/TOP01			G-1
	P34	TIP10/TOP10			G-1
	P35	TIP11/TOP11			G-1
	P36	-			C-1
	P37	-			C-1
	P38	TXDA2			E-2
	P39	RXDA2/INTP8			L-2

**Caution** The P31 to P35, and P39 pins have hysteresis characteristics in the input mode of the alternate function, but do not have hysteresis characteristics in the port mode.

(2) Registers

(a) Port register 3 (P3)

Port register 3 (P3) is a 16-bit register that controls reading the pin level and writing the output level. This register can be read or written in 16-bit units.

If the higher 8 bits of the P3 register are used as the P3H register, and the lower 8 bits as the P3L register, however, these registers can be read or written in 8-bit or 1-bit units.

After reset: Undefined		R/W	Address: FFFFF406H, FFFFF407H					
	15	14	13	12	11	10	9	8
P3 (P3H <sup>Note</sup> )	0	0	0	0	0	0	P39	P38
	7	6	5	4	3	2	1	0
(P3L)	P37	P36	P35	P34	P33	P32	P31	P30
P3n	Control of output data (in output mode) (n = 0 to 9)							
0	Output 0.							
1	Output 1.							

**Note** To read or write bits 8 to 15 of the P3 register in 8-bit or 1-bit units, specify these bits as bits 0 to 7 of the P3H register.

(b) Port mode register 3 (PM3)

This is a 16-bit register that specifies the input or output mode. It can be read or written in 16-bit units.

If the higher 8 bits of the PM3 register are used as the PM3H register, and the lower 8 bits as the PM3L register, however, these registers can be read or written in 8-bit or 1-bit units.

After reset: FFFFH		R/W	Address: FFFFF426H, FFFFF427H					
	15	14	13	12	11	10	9	8
PM3 (PM3H <sup>Note</sup> )	1	1	1	1	1	1	PM39	PM38
	7	6	5	4	3	2	1	0
(PM3L)	PM37	PM36	PM35	PM34	PM33	PM32	PM31	PM30
PM3n	Control of I/O mode (n = 0 to 9)							
0	Output mode							
1	Input mode							

**Note** To read or write bits 8 to 15 of the PM3 register in 8-bit or 1-bit units, specify these bits as bits 0 to 7 of the PM3H register.

**(c) Port mode control register 3 (PMC3)**

This is a 16-bit register that specifies the port mode or control mode. It can be read or written in 16-bit units.

If the higher 8 bits of the PMC3 register are used as the PMC3H register, and the lower 8 bits as the PMC3L register, however, these registers can be read or written in 8-bit or 1-bit units.

(1/2)

After reset: 0000H		R/W		Address: FFFFF446H, FFFFF447H							
	15	14	13	12	11	10	9	8			
PMC3 (PMC3H <sup>Note 1</sup> )	0	0	0	0	0	0	PMC39	PMC38			
	7	6	5	4	3	2	1	0			
(PMC3L)	0	0	PMC35	PMC34	PMC33	PMC32	PMC31	PMC30			

PMC39	Specification of operation mode of P39 pin
0	I/O port
1	RXDA2/INTP8 input <sup>Note 2</sup>

PMC38	Specification of operation mode of P38 pin
0	I/O port
1	TXDA2 output

PMC35	Specification of operation mode of P35 pin
0	I/O port
1	TIP11/TOP11 I/O

PMC34	Specification of operation mode of P34 pin
0	I/O port
1	TIP10/TOP10 I/O

- Notes 1.** To read or write bits 8 to 15 of the PMC3 register in 8-bit or 1-bit units, specify these bits as bits 0 to 7 of the PMC3H register.
- 2.** The INTP8 pin functions alternately as the RXDA2 pin. To use as the RXDA2 pin, invalidate the edge detection function of the alternate-function INTP8 pin (by fixing the INTF3.INTF39 bit to 0 and the INTR3.INTR39 bit to 0). To use as the INTP8 pin, stop the reception operation of UARTA2 (by clearing the UA2CTL0.UA2RXE bit to 0).

PMC33	Specification of operation mode of P33 pin
0	I/O port
1	TIP01/TOP01 I/O

PMC32	Specification of operation mode of P32 pin
0	I/O port
1	ASCKA0/TIP00/TOP00/TOP01 I/O

PMC31	Specification of operation mode of P31 pin
0	I/O port
1	RXDA0/INTP7 input <sup>Note</sup>

PMC30	Specification of operation mode of P30 pin
0	I/O port
1	TXDA0 output

**Note** The INTP7 pin functions alternately as the RXDA0 pin. To use as the RXDA0 pin, invalidate the edge detection function of the alternate-function INTP7 pin (by fixing the INTF3.INTF31 and INTR3.INTR31 bits to 0). To use as the INTP7 pin, stop the reception operation of UARTA0 (by clearing the UA0CTL0.UA0RXE bit to 0).

**(d) Port function control register 3L (PFC3L)**

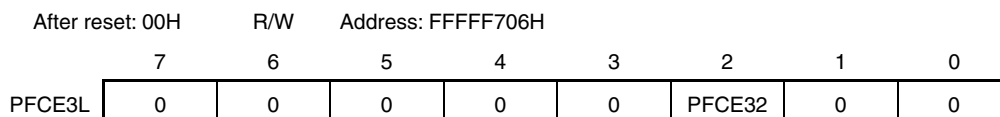
This is an 8-bit register that specifies control mode 1, 2, 3, or 4. It can be read or written in 8-bit or 1-bit units.

After reset: 00H	R/W	Address: FFFFF466H							
		7	6	5	4	3	2	1	0
PFC3L		0	0	PFC35	PFC34	PFC33	PFC32	0	0

**Remark** For how to specify a control mode, see 4.3.5 (2) (f) **Setting of control mode of P3 pin.**

**(e) Port function control expansion register 3L (PFCE3L)**

This is an 8-bit register that specifies control mode 1, 2, 3, or 4. It can be read or written in 8-bit or 1-bit units.



**Remark** For how to specify a control mode, see 4.3.5 (2) (f) **Setting of control mode of P3 pin.**

**(f) Setting of control mode of P3 pin**

PFC35	Specification of control mode of P35 pin
0	TIP11 input
1	TOP11 output

PFC34	Specification of control mode of P34 pin
0	TIP10 input
1	TOP10 output

PFC33	Specification of control mode of P33 pin
0	TIP01 input
1	TOP01 output

PFCE32	PFC32	Specification of control mode of P32 pin
0	0	ASCKA0 input
0	1	TOP01 output
1	0	TIP00 input
1	1	TOP00 output

**(g) Pull-up resistor option register 3 (PU3)**

This is a 16-bit register that specifies connection of an on-chip pull-up resistor. It can be read or written in 16- or 1-bit units.

If the higher 8 bits of the PU3 register are used as the PU3H register, and the lower 8 bits as the PU3L register, however, these registers can be read or written in 8-bit or 1-bit units.

After reset: 00H		R/W	Address: FFFFC46H, FFFFC47H					
	15	14	13	12	11	10	9	8
PU3 (PU3H <sup>Note</sup> )	0	0	0	0	0	0	PU39	PU38
	7	6	5	4	3	2	1	0
(PU3L)	PU37	PU36	PU35	PU34	PU33	PU32	PU31	PU30
PU3n	Control of on-chip pull-up resistor connection (n = 0 to 9)							
0	Not connected							
1	Connected							

**Note** To read/write bits 8 to 15 of the PU3 register in 8-bit or 1-bit units, specify these bits as bits 0 to 7 of the PU3H register.

**(h) External interrupt falling edge specification register 3 (INTF3)**

This is a 16-bit register that specifies detection of the falling edge of the external interrupt pin. It can be read or written in 16-bit units.

If the higher 8 bits of the INTF3 register are used as the INTF3H register, and the lower 8 bits as the INTF3L register, however, these registers can be read or written in 8-bit or 1-bit units.

- Cautions**
1. When the external interrupt function (alternate function) is switched to the port function, an edge may be detected. Set the port mode after clearing the INTF3n and INTR3n bits to 0.
  2. An analog-delay-based noise eliminator is connected to the external interrupt input pin.

After reset: 00H		R/W	Address: FFFFC06H, FFFFC07H					
	15	14	13	12	11	10	9	8
INTF3 (INTF3H <sup>Note</sup> )	0	0	0	0	0	0	INTF39	0
	7	6	5	4	3	2	1	0
(INTF3L)	0	0	0	0	0	0	INTF31	0

**Note** To read/write bits 8 to 15 of the INTF3 register in 8-bit or 1-bit units, specify these bits as bits 0 to 7 of the INTF3H register.

**Remark** See **Table 4-8** for how to specify a valid edge.

**(i) External interrupt rising edge specification register 3 (INTR3)**

This is a 16-bit register that specifies detection of the rising edge of the external interrupt pin. It can be read or written in 16-bit units.

If the higher 8 bits of the INTR3 register are used as the INTR3H register, and the lower 8 bits as the INTR3L register, however, these registers can be read or written in 8-bit or 1-bit units.

- Cautions**
1. When the external interrupt function (alternate function) is switched to the port function, an edge may be detected. Set the port mode after clearing the INTF3n and INTR3n bits to 0.
  2. An analog-delay-based noise eliminator is connected to the external interrupt input pin.

After reset: 00H		R/W		Address: FFFFC26H, FFFFC27H							
	15	14	13	12	11	10	9	8			
INTR3 (INTR3H <sup>Note</sup> )	0	0	0	0	0	0	INTR39	0			
	7	6	5	4	3	2	1	0			
(INTR3L)	0	0	0	0	0	0	INTR31	0			

**Note** To read/write bits 8 to 15 of the INTR3 register in 8-bit or 1-bit units, specify these bits as bits 0 to 7 of the INTR3H register.

**Remark** See Table 4-8 for how to specify a valid edge.

**Table 4-8. Valid Edge Specification**

INTF3n Bit	INTR3n Bit	Valid Edge Specification (n = 1, 9)
0	0	No edge detected
0	1	Rising edge
1	0	Falling edge
1	1	Both edges

**Remark** n = 1: Control of INTP7 pin  
n = 9: Control of INTP8 pin



**4.3.6 Port 4**

Port 4 is a 3-bit port (P40 to P42) for which I/O settings can be controlled in 1-bit units.

**(1) Functions of port 4**

- The input/output data of the port can be specified in 1-bit units.  
Specified by port register 4 (P4)
- The input/output mode of the port can be specified in 1-bit units.  
Specified by port mode register 4 (PM4)
- Port mode or control mode (alternate function) can be specified in 1-bit units.  
Specified by port mode control register 4 (PMC4)
- An on-chip pull-up resistor can be connected in 1-bit units.  
Specified by pull-up resistor option register 4 (PU4)

Port 4 functions alternately as the following pins.

**Table 4-9. Alternate-Function Pins of Port 4**

Pin Name		Alternate-Function Pin Name	I/O	Remark	Block Type
Port 4	P40	SIB0	I/O	-	E-1
	P41	SOB0			E-2
	P42	SCKB0			E-3

**Caution** The P40 and P42 pins have hysteresis characteristics in the input mode of the alternate function, but do not have hysteresis characteristics in the port mode.

**(2) Registers**

**(a) Port register 4 (P4)**

Port register 4 (P4) is an 8-bit register that controls reading the pin level and writing the output level. This register can be read or written in 8-bit or 1-bit units.

After reset: Undefined		R/W	Address: FFFFF408H					
	7	6	5	4	3	2	1	0
P4	0	0	0	0	0	P42	P41	P40
P4n	Control of output data (in output mode) (n = 0 to 2)							
0	Output 0.							
1	Output 1.							

**(b) Port mode register 4 (PM4)**

This is an 8-bit register that specifies the input or output mode. It can be read or written in 8-bit or 1-bit units.

After reset: FFH		R/W	Address: FFFFF428H					
	7	6	5	4	3	2	1	0
PM4	1	1	1	1	1	PM42	PM41	PM40
PM4n	Control of input/output mode (n = 0 to 2)							
0	Output mode							
1	Input mode							

**(c) Port mode control register 4 (PMC4)**

This is an 8-bit register that specifies the port mode or control mode. It can be read or written in 8-bit or 1-bit units.

	After reset: 00H	R/W	Address: FFFFF448H					
	7	6	5	4	3	2	1	0
PMC4	0	0	0	0	0	PMC42	PMC41	PMC40

PMC42	Specification of operation mode of P42 pin
0	I/O port
1	$\overline{\text{SCKB0}}$ I/O

PMC41	Specification of operation mode of P41 pin
0	I/O port
1	SOB0 output

PMC40	Specification of operation mode of P40 pin
0	I/O port
1	SIB0 input

**(d) Pull-up resistor option register 4 (PU4)**

This is an 8-bit register that specifies connection of an on-chip pull-up resistor. It can be read or written in 8-bit or 1-bit units.

	After reset: 00H	R/W	Address: FFFFFC48H					
	7	6	5	4	3	2	1	0
PU4	0	0	0	0	0	PU42	PU41	PU40

PU4n	Control of on-chip pull-up resistor connection (n = 0 to 2)
0	Not connected
1	Connected

### 4.3.7 Port 5

Port 5 is a 6-bit port (P50 to P55) for which I/O settings can be controlled in 1-bit units.

#### (1) Functions of port 5

- The input/output data of the port can be specified in 1-bit units.  
Specified by port register 5 (P5)
- The input/output mode of the port can be specified in 1-bit units.  
Specified by port mode register 5 (PM5)
- Port mode or control mode (alternate function) can be specified in 1-bit units.  
Specified by port mode control register 5 (PMC5)
- Control mode can be specified in 1-bit units.  
Specified by port function control register 5 (PFC5) or port function control expansion register 5 (PFCE5)
- An on-chip pull-up resistor can be connected in 1-bit units.  
Specified by pull-up resistor option register 5 (PU5)

Port 5 functions alternately as the following pins.

**Table 4-10. Alternate-Function Pins of Port 5**

Pin Name	Alternate-Function Pin Name	I/O	Remark	Block Type	
Port 5	P50	KR0/TIQ01/TOQ01	I/O	–	U-4
	P51	KR1/TIQ02/TOQ02			U-4
	P52	KR2/TIQ03/TOQ03/DDI <sup>Note</sup>			U-5
	P53	KR3/TIQ00/TOQ00/DDO <sup>Note</sup>			U-6
	P54	KR4/DCK <sup>Note</sup>			G-2
	P55	KR5/DMS <sup>Note</sup>			G-2

**Note** The DDI, DDO, DCK, and DMS pins are for the on-chip debug function. To use the DDI, DDO, DCK, and DMS pins as port pins, not as on-chip debug pins, the following actions must be taken.

<1> Clear the OC DM0 bit of the OC DM register (special register) to 0.

<2> Fix the P05/INTP2/ $\overline{\text{DRST}}$  pin to the low level until the above action has been taken.

When the on-chip debug function is not used, inputting a high level to the  $\overline{\text{DRST}}$  pin before the above actions are taken may cause a malfunction (CPU deadlock). Exercise utmost care in handling the P05 pin.

When a high level is not input to the P05/INTP2/ $\overline{\text{DRST}}$  pin (when this pin is fixed to low level), it is not necessary to manipulate the OC DM.OC DM0 bit.

Because a pull-down resistor (30 k $\Omega$  TYP.) is connected to the buffer of the P05/INTP2/ $\overline{\text{DRST}}$  pin, the pin does not have to be fixed to the low level by an external source. The pull-down resistor is disconnected by clearing the OC DM0 bit to 0.

**Caution** The P50 to P55 pins have hysteresis characteristics in the input mode of the alternate function, but do not have hysteresis characteristics in the port mode.

**(2) Registers****(a) Port register 5 (P5)**

Port register 5 (P5) is an 8-bit register that controls reading the pin level and writing the output level. This register can be read or written in 8-bit or 1-bit units.

After reset: Undefined		R/W	Address: FFFFF40AH					
	7	6	5	4	3	2	1	0
P5	0	0	P55	P54	P53	P52	P51	P50
P5n	Control of output data (in output mode) (n = 0 to 5)							
0	Output 0.							
1	Output 1.							

**(b) Port mode register 5 (PM5)**

This is an 8-bit register that specifies the input or output mode. It can be read or written in 8-bit or 1-bit units.

After reset: FFH		R/W	Address: FFFFF42AH					
	7	6	5	4	3	2	1	0
PM5	1	1	PM55	PM54	PM53	PM52	PM51	PM50
PM5n	Control of I/O mode (n = 0 to 5)							
0	Output mode							
1	Input mode							

**(c) Port mode control register 5 (PMC5)**

This is an 8-bit register that specifies the port mode or control mode. It can be read or written in 8-bit or 1-bit units.

**Caution** If the control mode is specified by using the PMC5 register when the PFC5.PFC5n and PFCE5.PFCE5n bits are the default values (0), the output becomes undefined.  
 For this reason, first set the PFC5.PFC5n and PFCE5.PFCE5n bits, and then set the PMC5n bit to 1 to set the control mode.

After reset: 00H		R/W	Address: FFFFF44AH					
	7	6	5	4	3	2	1	0
PMC5	0	0	PMC55	PMC54	PMC53	PMC52	PMC51	PMC50
PMC55	Specification of operation mode of P55 pin							
0	I/O port							
1	KR5 input							
PMC54	Specification of operation mode of P54 pin							
0	I/O port							
1	KR4 input							
PMC53	Specification of operation mode of P53 pin							
0	I/O port							
1	KR3/TIQ00/TOQ00 I/O							
PMC52	Specification of operation mode of P52 pin							
0	I/O port							
1	KR2/TIQ03/TOQ03 I/O							
PMC51	Specification of operation mode of P51 pin							
0	I/O port							
1	KR1/TIQ02/TOQ02 I/O							
PMC50	Specification of operation mode of P50 pin							
0	I/O port							
1	KR0/TIQ01/TOQ01 I/O							

**(d) Port function control register 5 (PFC5)**

This is an 8-bit register that specifies control mode 1, 2, 3, or 4. It can be read or written in 8-bit or 1-bit units.

After reset: 00H	R/W	Address: FFFFF46AH							
		7	6	5	4	3	2	1	0
PFC5		0	0	PFC55	PFC54	PFC53	PFC52	PFC51	PFC50

**Remark** For how to specify a control mode, see **4.3.7 (2) (f) Setting of control mode of P5 pin.**

**(e) Port function control expansion register 5 (PFCE5)**

This is an 8-bit register that specifies control mode 1, 2, 3, or 4. It can be read or written in 8-bit or 1-bit units.

After reset: 00H	R/W	Address: FFFFF70AH							
		7	6	5	4	3	2	1	0
PFCE5		0	0	0	0	PFCE53	PFCE52	PFCE51	PFCE50

**Remark** For how to specify a control mode, see **4.3.7 (2) (f) Setting of control mode of P5 pin.**

**(f) Setting of control mode of P5 pin**

**Caution** If the control mode is specified by using the PMC5 register when the PFC5.PFC5n and PFCE5.PFCE5n bits are the default values (0), the output becomes undefined.

For this reason, first set the PFC5.PFC5n and PFCE5.PFCE5n bits, and then set the PMC5n bit to 1 to set the control mode.

PFC55	Specification of control mode of P55 pin
0	Setting prohibited
1	KR5 input

PFC54	Specification of control mode of P54 pin
0	Setting prohibited
1	KR4 input

PFCE53	PFC53	Specification of control mode of P53 pin
0	0	Setting prohibited
0	1	TIQ00/KR3 <sup>Note</sup> input
1	0	TOQ00 output
1	1	Setting prohibited

PFCE52	PFC52	Specification of control mode of P52 pin
0	0	Setting prohibited
0	1	TIQ03/KR2 <sup>Note</sup> input
1	0	TOQ03 output
1	1	Setting prohibited

PFCE51	PFC51	Specification of control mode of P51 pin
0	0	Setting prohibited
0	1	TIQ02/KR1 <sup>Note</sup> input
1	0	TOQ02 output
1	1	Setting prohibited

PFCE50	PFC50	Specification of control mode of P50 pin
0	0	Setting prohibited
0	1	TIQ01/KR0 <sup>Note</sup> input
1	0	TOQ01 output
1	1	Setting prohibited

**Note** The KRn pin functions alternately as the TIQ0m pin. To use this pin as the TIQ0m pin, invalidate the key return detection function of the alternate-function KRn pin (by clearing the KRM.KRMn bit to 0). To use this pin as the KRn pin, invalidate the edge detection function of the alternate-function TIQ0m pin (n = 0 to 3, m = 0 to 3).

Pin Name	Use as TIQ0m Pin	Use as KRn Pin
KR0/TIQ01	KRM0 bit of KRM register = 0	TQ0TIG2, TQ0TIG3 bit of TQ0IOC1 register = 0
KR1/TIQ02	KRM1 bit of KRM register = 0	TQ0TIG4, TQ0TIG5 bit of TQ0IOC1 register = 0
KR2/TIQ03	KRM2 bit of KRM register = 0	TQ0TIG6, TQ0TIG7 bit of TQ0IOC1 register = 0
KR3/TIQ00	KRM3 bit of KRM register = 0	TQ0TIG0, TQ0TIG1 bit of TQ0IOC1 register = 0 TQ0EES0, TQ0EES1 bit of TQ0IOC2 register = 0 TQ0ETS0, TQ0ETS1 bit of TQ0IOC2 register = 0



**(g) Pull-up resistor option register 5 (PU5)**

This is an 8-bit register that specifies connection of an on-chip pull-up resistor. It can be read or written in 8-bit or 1-bit units.

After reset: 00H	R/W	Address: FFFFC4AH							
		7	6	5	4	3	2	1	0
PU5		0	0	PU55	PU54	PU53	PU52	PU51	PU50
	PU5n	Control of on-chip pull-up resistor connection (n = 0 to 5)							
	0	Not connected							
	1	Connected							

**4.3.8 Port 7**

Port 7 is a 16-bit port (P70 to P715) for which I/O settings can be controlled in 1-bit units.

**(1) Functions of port 7**

- The input/output data of the port can be specified in 1-bit units.  
Specified by port registers 7H, 7L (P7H, P7L)
- The input/output mode of the port can be specified in 1-bit units.  
Specified by port mode registers 7H, 7L (PM7H, PM7L)

Port 7 functions alternately as the following pins.

**Table 4-11. Alternate-Function Pins of Port 7**

Pin Name	Alternate-Function Pin Name	I/O	Remark	Block Type	
Port 7	P70	ANI0	I/O	-	A-1
	P71	ANI1			A-1
	P72	ANI2			A-1
	P73	ANI3			A-1
	P74	ANI4			A-1
	P75	ANI5			A-1
	P76	ANI6			A-1
	P77	ANI7			A-1
	P78	ANI8			A-1
	P79	ANI9			A-1
	P710	ANI10			A-1
	P711	ANI11			A-1
	P712	ANI12			A-1
	P713	ANI13			A-1
	P714	ANI14			A-1
	P715	ANI15			A-1

**(2) Registers****(a) Port register 7H, port register 7L (P7H, P7L)**

Port registers 7H and 7L (P7H and P7L) are 8-bit registers that control reading the pin level and writing the output level. These registers can be read or written in 8-bit or 1-bit units.

They cannot be accessed in 16-bit units.

After reset: Undefined    R/W    Address: FFFFF40FH, FFFFF40EH

	7	6	5	4	3	2	1	0
P7H	P715	P714	P713	P712	P711	P710	P79	P78

	7	6	5	4	3	2	1	0
P7L	P77	P76	P75	P74	P73	P72	P71	P70

PM7n	Control of output data (in output mode) (n = 0 to 15)
0	Output 0.
1	Output 1.

**Caution** Do not read the P7H and P7L registers during A/D conversion.

**(b) Port mode registers 7H, 7L (PM7H, PM7L)**

These are 8-bit registers that specify an input or output mode. They can be read or written in 8-bit or 1-bit units.

These registers cannot be accessed in 16-bit units.

After reset: FFH    R/W    Address: FFFFF42FH, FFFFF42EH

	7	6	5	4	3	2	1	0
PM7H	PM715	PM714	PM713	PM712	PM711	PM710	PM79	PM78

	7	6	5	4	3	2	1	0
PM7L	PM77	PM76	PM75	PM74	PM73	PM72	PM71	PM70

PM7n	Control of I/O mode (n = 0 to 15)
0	Output mode
1	Input mode

**Caution** To use the alternate function of P7n (ANIn), set PM7n to 1.

### 4.3.9 Port 9

Port 9 is a 9-bit or 16-bit port (P90 to P915) for which I/O settings can be controlled in 1-bit units.

#### (1) Functions of port 9

- The input/output data of the port can be specified in 1-bit units.  
Specified by port register 9 (P9)
- The input/output mode of the port can be specified in 1-bit units.  
Specified by port mode register 9 (PM9)
- Port mode or control mode (alternate function) can be specified in 1-bit units.  
Specified by port mode control register 9 (PMC9)
- Control mode can be specified in 1-bit units.  
Specified by port function control register 9 (PFC9) and port function control expansion register 9 (PFCE9)
- An on-chip pull-up resistor can be connected in 1-bit units.  
Specified by pull-up resistor option register 9 (PU9)
- The valid edge of the external interrupt (alternate function) can be specified in 1-bit units.  
Specified by external interrupt falling edge specification register 9H (INTF9H) and external interrupt rising edge specification register 9H (INTR9H)

Port 9 functions alternately as the following pins.

**Table 4-12. Alternate-Function Pins of Port 9**

Pin Name	Alternate-Function Pin Name	I/O	Remark	Block Type	
Port 9	P90	KR6/TXDA1	I/O	-	U-12
	P91	KR7/RXDA1			U-7
	P92	TIQ11/TOQ11			U-11
	P93	TIQ12/TOQ12			U-11
	P94	TIQ13/TOQ13			U-11
	P95	TIQ10/TOQ10			U-11
	P96	TIP21/TOP21			U-9
	P97	SIB1/TIP20/TOP20			U-8
	P98	SOB1			G-3
	P99	$\overline{\text{SCKB1}}$			G-5
	P910	-			C-1
	P911	-			C-1
	P912	-			C-1
	P913	INTP4/PCL			W-1
	P914	INTP5			N-2
	P915	INTP6			N-2

**Caution** The P90 to P97, P99, and P913 to P915 pins have hysteresis characteristics in the input mode of the alternate function, but do not have hysteresis characteristics in the port mode.

(2) Registers

(a) Port register 9 (P9)

Port register 9 (P9) is a 16-bit register that controls reading the pin level and writing the output level. This register can be read or written in 16-bit units.

If the higher 8 bits of the P9 register are used as the P9H register, and the lower 8 bits as the P9L register, however, these registers can be read or written in 8-bit or 1-bit units.

After reset: Undefined	R/W	Address: FFFFF412H, FFFFF413H							
		15	14	13	12	11	10	9	8
P9 (P9H <sup>Note</sup> )		P915	P914	P913	P912	P911	P910	P99	P98
		7	6	5	4	3	2	1	0
(P9L)		P97	P96	P95	P94	P93	P92	P91	P90
	P9n	Control of output data (in output mode) (n = 0 to 15)							
	0	Output 0.							
	1	Output 1.							

**Note** To read or write bits 8 to 15 of the P9 register in 8-bit or 1-bit units, specify these bits as bits 0 to 7 of the P9H register.

(b) Port mode register 9 (PM9)

This is a 16-bit register that specifies the input or output mode. It can be read or written in 16-bit units.

If the higher 8 bits of the PM9 register are used as the PM9H register, and the lower 8 bits as the PM9L register, however, these registers can be read or written in 8-bit or 1-bit units.

After reset: FFFFH	R/W	Address: FFFFF432H, FFFFF433H							
		15	14	13	12	11	10	9	8
PM9 (PM9H <sup>Note</sup> )		PM915	PM914	PM913	PM912	PM911	PM910	PM99	PM98
		7	6	5	4	3	2	1	0
(PM9L)		PM97	PM96	PM95	PM94	PM93	PM92	PM91	PM90
	PM9n	Control of I/O mode (n = 0 to 15)							
	0	Output mode							
	1	Input mode							

**Note** To read or write bits 8 to 15 of the PM9 register in 8-bit or 1-bit units, specify these bits as bits 0 to 7 of the PM9H register.

**(c) Port mode control register 9 (PMC9)**

This is a 16-bit register that specifies the port mode or control mode. It can be read or written in 16-bit units.

If the higher 8 bits of the PMC9 register are used as the PMC9H register, and the lower 8 bits as the PMC9L register, however, these registers can be read or written in 8-bit or 1-bit units.

**Caution** If the control mode is specified by using the PMC9 register when the PFC9.PFC9n bit and the PFCE9.PFCE9n bit are the default values (0), the output becomes undefined. For this reason, first set the PFC9.PFC9n bit and the PFCE9.PFCE9n bit to 1, and then set the PMC9n bit to 1 to set the control mode.

(1/2)

After reset: 0000H		R/W		Address: FFFFF452H, FFFFF453H				
	15	14	13	12	11	10	9	8
PMC9 (PMC9H <sup>Note</sup> )	PMC915	PMC914	PMC913	0	0	0	PMC99	PMC98
	7	6	5	4	3	2	1	0
(PMC9L)	PMC97	PMC96	PMC95	PMC94	PMC93	PMC92	PMC91	PMC90

PMC915	Specification of operation mode of P915 pin
0	I/O port
1	INTP6 input

PMC914	Specification of operation mode of P914 pin
0	I/O port
1	INTP5 input

PMC913	Specification of operation mode of P913 pin
0	I/O port
1	INTP4/PCL I/O

PMC99	Specification of operation mode of P99 pin
0	I/O port
1	$\overline{\text{SCKB1}}$ I/O

**Note** To read or write bits 8 to 15 of the PMC9 register in 8-bit or 1-bit units, specify these bits as bits 0 to 7 of the PMC9H register.

PMC98	Specification of operation mode of P98 pin
0	I/O port
1	SOB1 output

PMC97	Specification of operation mode of P97 pin
0	I/O port
1	SIB1/TIP20/TOP20 I/O

PMC96	Specification of operation mode of P96 pin
0	I/O port
1	TIP21/TOP21 I/O

PMC95	Specification of operation mode of P95 pin
0	I/O port
1	TIQ10/TOQ10 I/O

PMC94	Specification of operation mode of P94 pin
0	I/O port
1	TIQ13/TOQ13 I/O

PMC93	Specification of operation mode of P93 pin
0	I/O port
1	TIQ12/TOQ12 I/O

PMC92	Specification of operation mode of P92 pin
0	I/O port
1	TIQ11/TOQ11 I/O

PMC91	Specification of operation mode of P91 pin
0	I/O port
1	KR7/RXDA1 input

PMC90	Specification of operation mode of P90 pin
0	I/O port
1	KR6/TXDA1 I/O

**(d) Port function control register 9 (PFC9)**

This is a 16-bit register that specifies control mode 1, 2, 3, or 4. It can be read or written in 16-bit units.

If the higher 8 bits of the PFC9 register are used as the PFC9H register, and the lower 8 bits as the PFC9L register, however, these registers can be read or written in 8-bit or 1-bit units.

After reset: 0000H		R/W		Address: FFFFF472H, FFFFF473H							
	15	14	13	12	11	10	9	8			
PFC9 (PFC9H <sup>Note</sup> )	PFC915	PFC914	PFC913	0	0	0	PFC99	PFC98			
	7	6	5	4	3	2	1	0			
(PFC9L)	PFC97	PFC96	PFC95	PFC94	PFC93	PFC92	PFC91	PFC90			

**Note** To read or write bits 8 to 15 of the PFC9 register in 8-bit or 1-bit units, specify these bits as bits 0 to 7 of the PFC9H register.

**Remark** For how to specify a control mode, see 4.3.9 (2) (f) **Setting of control mode of P9 pin.**

**(e) Port function control expansion register 9 (PFCE9)**

This is a 16-bit register that specifies control mode 1, 2, 3, or 4. It can be read or written in 16-bit units.

If the higher 8 bits of the PFC9 register are used as the PFC9H register, and the lower 8 bits as the PFC9L register, however, these registers can be read or written in 8-bit or 1-bit units.

After reset: 0000H		R/W		Address: FFFFF712H, FFFFF713H							
	15	14	13	12	11	10	9	8			
PFCE9 (PFCE9H <sup>Note</sup> )	0	0	PFCE913	0	0	0	0	0			
	7	6	5	4	3	2	1	0			
(PFCE9L)	PFCE97	PFCE96	PFCE95	PFCE94	PFCE93	PFCE92	PFCE91	PFCE90			

**Note** To read or write bits 8 to 15 of the PFCE9 register in 8-bit or 1-bit units, specify these bits as bits 0 to 7 of the PFCE9H register.

**Remark** For how to specify a control mode, see 4.3.9 (2) (f) **Setting of control mode of P9 pin.**



**(f) Setting of control mode of P9 pin**

**Caution** If the control mode is specified by using the PMC9 register when the PFC9.PFC9n and PFCE9.PFCE9n bits are the default values (0), the output becomes undefined.  
For this reason, first set the PFC9.PFC9n and PFCE9.PFCE9n bits, and then set the PMC9n bit to 1 to set the control mode.

PFC915	Specification of control mode of P915 pin
0	Setting prohibited
1	INTP6 input

PFC914	Specification of control mode of P914 pin
0	Setting prohibited
1	INTP5 input

PFCE913	PFC913	Specification of control mode of P913 pin
0	0	Setting prohibited
0	1	INTP4 input
1	0	PCL output
1	1	Setting prohibited

PFC99	Specification of control mode of P99 pin
0	Setting prohibited
1	SCKB1 I/O

PFC98	Specification of control mode of P98 pin
0	Setting prohibited
1	SOB1 output

PFCE97	PFC97	Specification of control mode of P97 pin
0	0	Setting prohibited
0	1	SIB1 input
1	0	TIP20 input
1	1	TOP20 output

PFCE96	PFC96	Specification of control mode of P96 pin
0	0	Setting prohibited
0	1	Setting prohibited
1	0	TIP21 input
1	1	TOP21 output

PFCE95	PFC95	Specification of control mode of P95 pin
0	0	Setting prohibited
0	1	TIQ10 input
1	0	TOQ10 output
1	1	Setting prohibited

PFCE94	PFC94	Specification of control mode of P94 pin
0	0	Setting prohibited
0	1	TIQ13 input
1	0	TOQ13 output
1	1	Setting prohibited

PFCE93	PFC93	Specification of control mode of P93 pin
0	0	Setting prohibited
0	1	TIQ12 input
1	0	TOQ12 output
1	1	Setting prohibited

PFCE92	PFC92	Specification of control mode of P92 pin
0	0	Setting prohibited
0	1	TIQ11 input
1	0	TOQ11 output
1	1	Setting prohibited

PFCE91	PFC91	Specification of control mode of P91 pin
0	0	Setting prohibited
0	1	KR7 input
1	0	KR7/RXDA1 input <sup>Note</sup>
1	1	Setting prohibited

PFCE90	PFC90	Specification of control mode of P90 pin
0	0	Setting prohibited
0	1	KR6 input
1	0	TXDA1 output
1	1	Setting prohibited

**Note** The KR7 pin and RXDA1 pin are alternate-function pins.

When using the pin as the RXDA1 pin, disable KR7 pin key return detection. (Clear the KRM7 bit of the KRM register to 0.) Also, when using the pin as the KR7 pin, it is recommended to set the PFC91 bit to 1 and clear the PFCE91 bit to 0.

**(g) Pull-up resistor option register 9 (PU9)**

This is a 16-bit register that specifies connection of an on-chip pull-up resistor. It can be read or written in 16-bit units.

If the higher 8 bits of the PU9 register are used as the PU9H register, and the lower 8 bits as the PU9L register, however, these registers can be read or written in 8-bit or 1-bit units.

After reset: 0000H		R/W		Address: FFFFC52H, FFFFC53H				
	15	14	13	12	11	10	9	8
PU9 (PU9H <sup>Note</sup> )	PU915	PU914	PU913	PU912	PU911	PU910	PU99	PU98
	7	6	5	4	3	2	1	0
(PU9L)	PU97	PU96	PU95	PU94	PU93	PU92	PU91	PU90
PU9n	Control of on-chip pull-up resistor connection (n = 0 to 15)							
0	Not connected							
1	Connected							

**Note** To read/write bits 8 to 15 of the PU9 register in 8-bit or 1-bit units, specify these bits as bits 0 to 7 of the PU9H register.

**(h) External interrupt falling edge specification register 9H (INTF9H)**

This is an 8-bit register that specifies detection of the falling edge of the external interrupt pin. It can be read or written in 8-bit or 1-bit units.

- Cautions**
1. When the external interrupt function (alternate function) is switched to the port function, an edge may be detected. Set the port mode after clearing the INTF9n and INTR9n bits to 0.
  2. An analog-delay-based noise eliminator is connected to the external interrupt input pin.

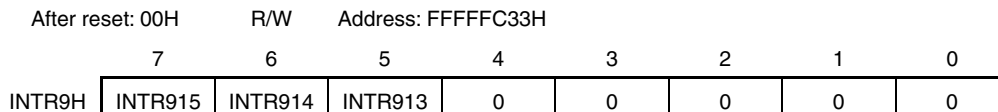
After reset: 00H		R/W		Address: FFFFC13H				
	7	6	5	4	3	2	1	0
INTF9H	INTF915	INTF914	INTF913	0	0	0	0	0

**Remark** See Table 4-13 for how to specify a valid edge.

**(i) External interrupt rising edge specification register 9H (INTR9H)**

This is an 8-bit register that specifies detection of the rising edge of the external interrupt pin. It can be read or written in 8-bit or 1-bit units.

- Cautions**
1. When the external interrupt function (alternate function) is switched to the port function, an edge may be detected. Set the port mode after clearing the INTF9n and INTR9n bits to 0.
  2. An analog-delay-based noise eliminator is connected to the external interrupt input pin.



**Remark** See Table 4-13 for how to specify a valid edge.

**Table 4-13. Valid Edge Specification**

INTF9n Bit	INTR9n Bit	Valid Edge Specification (n = 13 to 15)
0	0	No edge detected
0	1	Rising edge
1	0	Falling edge
1	1	Both edges

**Remark**

- n = 13: Control of INTP4 pin
- n = 14: Control of INTP5 pin
- n = 15: Control of INTP6 pin

**4.3.10 Port CM**

Port CM is a 4-bit port (PCM0 to PCM3) for which I/O settings can be controlled in 1-bit units.

**(1) Functions of port CM**

- The input/output data of the port can be specified in 1-bit units.  
Specified by port register CM (PCM)
- The input/output mode of the port can be specified in 1-bit units.  
Specified by port mode register CM (PMCM)
- Port mode or control mode (alternate function) can be specified in 1-bit units.  
Specified by port mode control register CM (PMCCM)

Port CM functions alternately as the following pins.

**Table 4-14. Alternate-Function Pins of Port CM**

Pin Name		Alternate-Function Pin Name	I/O	Remark	Block Type
Port CM	PCM0	–	I/O	–	B-1
	PCM1	CLKOUT			D-2
	PCM2	–			B-1
	PCM3	–			B-1

**(2) Registers****(a) Port register CM (PCM)**

Port register CM (PCM) is an 8-bit register that controls reading the pin level and writing the output level. This register can be read or written in 8-bit or 1-bit units.

After reset: Undefined		R/W	Address: FFFFF00CH					
	7	6	5	4	3	2	1	0
PCM	0	0	0	0	PCM3	PCM2	PCM1	PCM0
PCMn	Control of output data (in output mode) (n = 0 to 3)							
0	Output 0.							
1	Output 1.							

**(b) Port mode register CM (PMCM)**

This is an 8-bit register that specifies the input or output mode. It can be read or written in 8-bit or 1-bit units.

After reset: FFH		R/W	Address: FFFFF02CH					
	7	6	5	4	3	2	1	0
PMCM	1	1	1	1	PMCM3	PMCM2	PMCM1	PMCM0
PMCMn	Control of I/O mode (n = 0 to 3)							
0	Output mode							
1	Input mode							

**(c) Port mode control register CM (PMCCM)**

This is an 8-bit register that specifies the port mode or control mode. It can be read or written in 8-bit or 1-bit units.

After reset: 00H		R/W	Address: FFFFF04CH					
	7	6	5	4	3	2	1	0
PMCCM	0	0	0	0	0	0	PMCCM1	0
PMCCM1	Specification of operation mode of PCM1 pin							
0	I/O port							
1	CLKOUT output							

**4.3.11 Port CS**

Port CS is a 2-bit port (PCS0, PCS1) for which I/O settings can be controlled in 1-bit units.

**(1) Functions of port CS**

- The input/output data of the port can be specified in 1-bit units.  
Specified by port register CS (PCS)
- The input/output mode of the port can be specified in 1-bit units.  
Specified by port mode register CS (PMCS)

Port CS functions alternately as the following pins.

**Table 4-15. Alternate-Function Pins of Port CS**

Pin Name		Alternate-Function Pin Name	I/O	Remark	Block Type
Port CS	PCS0	–	I/O	–	B-1
	PCS1	–			B-1

**(2) Registers**

**(a) Port register CS (PCS)**

Port register CS (PCS) is an 8-bit register that controls reading the pin level and writing the output level. This register can be read or written in 8-bit or 1-bit units.

After reset: Undefined	R/W	Address: FFFFF008H							
		7	6	5	4	3	2	1	0
PCS		0	0	0	0	0	0	PCS1	PCS0
PCS <sub>n</sub>	Control of output data (in output mode) (n = 0, 1)								
0	Output 0.								
1	Output 1.								

**(b) Port mode register CS (PMCS)**

This is an 8-bit register that specifies the input or output mode. It can be read or written in 8-bit or 1-bit units.

After reset: FFH	R/W	Address: FFFFF028H							
		7	6	5	4	3	2	1	0
PMCS		1	1	1	1	1	1	PMCS1	PMCS0
PMCS <sub>n</sub>	Control of I/O mode (n = 0, 1)								
0	Output mode								
1	Input mode								



**4.3.12 Port CT**

Port CT is a 4-bit port (PCT0, PCT1, PCT4, PCT6) for which I/O settings can be controlled in 1-bit units.

**(1) Functions of port CT**

- The input/output data of the port can be specified in 1-bit units.  
Specified by port register CT (PCT)
- The input/output mode of the port can be specified in 1-bit units.  
Specified by port mode register CT (PMCT)

Port CT functions alternately as the following pins.

**Table 4-16. Alternate-Function Pins of Port CT**

Pin Name		Alternate-Function Pin Name	I/O	Remark	Block Type
Port CT	PCT0	–	I/O	–	B-1
	PCT1	–			B-1
	PCT4	–			B-1
	PCT6	–			B-1

**(2) Registers**

**(a) Port register CT (PCT)**

Port register CT (PCT) is an 8-bit register that controls reading the pin level and writing the output level. This register can be read or written in 8-bit or 1-bit units.

After reset: Undefined	R/W	Address: FFFFF00AH							
		7	6	5	4	3	2	1	0
PCT		0	PCT6	0	PCT4	0	0	PCT1	PCT0
	PCTn	Control of output data (in output mode) (n = 0, 1, 4, 6)							
	0	Output 0.							
	1	Output 1.							

**(b) Port mode register CT (PMCT)**

This is an 8-bit register that specifies the input or output mode. It can be read or written in 8-bit or 1-bit units.

After reset: FFH	R/W	Address: FFFFF02AH							
		7	6	5	4	3	2	1	0
PMCT		1	PMCT6	1	PMCT4	1	1	PMCT1	PMCT0
	PMCTn	Control of I/O mode (n = 0, 1, 4, 6)							
	0	Output mode							
	1	Input mode							

**4.3.13 Port DL**

Port DL is a 14-bit port (PDL0 to PDL13) for which I/O settings can be controlled in 1-bit units.

**(1) Function of port DL**

- The input/output data of the port can be specified in 1-bit units.  
Specified by port register DL (PDL)
- The input/output mode of the port can be specified in 1-bit units.  
Specified by port mode register DL (PMDL)

Port DL functions alternately as the following pins.

**Table 4-17. Alternate-Function Pins of Port DL**

Pin Name		Alternate-Function Pin Name	I/O	Remark	
Port DL	PDL0	–	I/O	–	B-1
	PDL1	–			B-1
	PDL2	–			B-1
	PDL3	–			B-1
	PDL4	–			B-1
	PDL5	FLMD1 <sup>Note</sup>			B-1
	PDL6	–			B-1
	PDL7	–			B-1
	PDL8	–			B-1
	PDL9	–			B-1
	PDL10	–			B-1
	PDL11	–			B-1
	PDL12	–			B-1
	PDL13	–			B-1

**Note** Because the FLMD1 pin is used in the flash programming mode, it does not have to be manipulated by using a port control register. For details, see **CHAPTER 23 FLASH MEMORY**.

**(2) Registers****(a) Port register DL (PDL)**

Port register DL (PDL) is a 16-bit register that controls reading the pin level and writing the output level. This register can be read or written in 16-bit units.

If the higher 8 bits of the PDL register are used as the PDLH register, and the lower 8 bits as the PDLL register, however, these registers can be read or written in 8-bit or 1-bit units.

After reset: Undefined		R/W	Address: FFFFF004H, FFFFF005H							
	15	14	13	12	11	10	9	8		
PDL (PDLH <sup>Note</sup> )	0	0	PDL13	PDL12	PDL11	PDL10	PDL9	PDL8		
	7	6	5	4	3	2	1	0		
(PDLL)	PDL7	PDL6	PDL5	PDL4	PDL3	PDL2	PDL1	PDL0		
PDLn	Control of output data (in output mode) (n = 0 to 13)									
0	Output 0.									
1	Output 1.									

**Note** To read or write bits 8 to 15 of the PDL register in 8-bit or 1-bit units, specify these bits as bits 0 to 7 of the PDLH register.

**(b) Port mode register DL (PMDL)**

This is a 16-bit register that specifies the input or output mode. It can be read or written in 16-bit units.

If the higher 8 bits of the PMDL register are used as the PMDLH register, and the lower 8 bits as the PMDLL register, however, these registers can be read or written in 8-bit or 1-bit units.

After reset: FFFFH		R/W	Address: FFFFF024H, FFFFF025H							
	15	14	13	12	11	10	9	8		
PMDL (PMDLH <sup>Note</sup> )	1	1	PMDL13	PMDL12	PMDL11	PMDL10	PMDL9	PMDL8		
	7	6	5	4	3	2	1	0		
(PMDLL)	PMDL7	PMDL6	PMDL5	PMDL4	PMDL3	PMDL2	PMDL1	PMDL0		
PMDLn	Control of I/O mode (n = 0 to 13)									
0	Output mode									
1	Input mode									

**Note** To read or write bits 8 to 15 of the PMDL register in 8-bit or 1-bit units, specify these bits as bits 0 to 7 of the PMDLH register.

#### 4.3.14 Port pins that function alternately as on-chip debug function

The pins shown in Table 4-18 function alternately as on-chip debug pins. After an external reset, these pins are initialized as on-chip debug pins ( $\overline{\text{DRST}}$ , DDI, DDO, DCK, and DMS).

**Table 4-18. On-Chip Debug Pins**

Pin Name	Alternate Function Pin
P05	$\overline{\text{INTP2/DRST}}$
P52	KR2/TIQ03/TOQ03/DDI
P53	KR3/TIQ00/TOQ00/DDO
P54	KR4/DCK
P55	KR5/DMS

To use these pins as port pins, not as on-chip debug pins, the following actions must be taken after an external reset.

- <1> Clear the OCDM0 bit of the OCDM register (special register) to 0.
- <2> Fix the P05/ $\overline{\text{INTP2/DRST}}$  pin to the low level until the above action has been taken.

When the on-chip debug function is not used, inputting a high level to the  $\overline{\text{DRST}}$  pin before the above actions are taken may cause a malfunction (CPU deadlock). Exercise utmost care in handling the P05 pin.

When a high level is not input to the P05/ $\overline{\text{INTP2/DRST}}$  pin (when this pin is fixed to low level), it is not necessary to manipulate the OCDM.OCDM0 bit.

Because a pull-down resistor (30 k $\Omega$  TYP) is connected to the buffer of the P05/ $\overline{\text{INTP2/DRST}}$  pin, the pin does not have to be fixed to the low level by an external source. The pull-down resistor is disconnected by clearing the OCDM0 bit to 0.

For details, see **CHAPTER 25 ON-CHIP DEBUG FUNCTION**.

## 4.3.15 Register settings to use port pins as alternate-function pins

Table 4-19. Using Port Pin as Alternate-Function Pin (1/5)

Pin Name	Alternate-Function Pin		PMn Register	PMCn Register	PFCm Register	PFCEm Register	Other Bits (Register)
	Name	I/O					
P00	TIP31	Input	Setting not required	PMC00 = 1	PFC00 = 0	–	
	TOP31	Output	Setting not required	PMC00 = 1	PFC00 = 1	–	
P01	TIP30	Input	Setting not required	PMC01 = 1	PFC01 = 0	–	
	TOP30	Output	Setting not required	PMC01 = 1	PFC01 = 1	–	
P02	NMI	Input	Setting not required	PMC02 = 1	–	–	
P03	INTP0	Input	Setting not required	PMC03 = 1	PFC03 = 0	–	INTx03 (INTx0)
	ADTRG	Output	Setting not required	PMC03 = 1	PFC03 = 1	–	
P04	INTP1	Input	Setting not required	PMC04 = 1	–	–	INTx04 (INTx0)
P05 <sup>Note</sup>	INTP2	Input	Setting not required	PMC05 = 1	–	–	INTx05 (INTx0)
	$\overline{\text{DRST}}$	Input	Setting not required	Setting not required	–	–	OCDM0 (OCDM) = 1
P06	INTP3	Input	Setting not required	PMC06 = 1	–	–	INTx06 (INTx0)
P10	INTP9	Input	Setting not required	PMC10 = 1	–	–	INTx10 (INTx1)
P11	INTP10	Input	Setting not required	PMC11 = 1	–	–	INTx11 (INTx1)

**Note** After an external reset, the P05/INTP2/ $\overline{\text{DRST}}$  pin is initialized as an on-chip debug pin ( $\overline{\text{DRST}}$ ). To not use the P05/INTP2/ $\overline{\text{DRST}}$  pin as an on-chip debug pin, see **CHAPTER 25 ON-CHIP DEBUG FUNCTION**.

**Remarks**

1. The port register (Pn) does not have to be set when the alternate function is used.
2. INTxn = INTFn, INTRn

Table 4-19. Using Port Pin as Alternate-Function Pin (2/5)

Pin Name	Alternate-Function Pin		PMn Register	PMCn Register	PFCm Register	PFCEm Register	Other Bits (Register)
	Name	I/O					
P30	TXDA0	Output	Setting not required	PMC30 = 1	–	–	
P31	RXDA0	Input	Setting not required	PMC31 = 1	–	–	<b>Note 1</b>
	INTP7	Input	Setting not required	PMC31 = 1	–	–	<b>Note 1</b> , INTx31 (INTx3)
P32	ASCKA0	Input	Setting not required	PMC32 = 1	PFC32 = 0	PFCE32 = 0	
	TOP01	Output	Setting not required	PMC32 = 1	PFC32 = 1	PFCE32 = 0	
	TIP00	Input	Setting not required	PMC32 = 1	PFC32 = 0	PFCE32 = 1	
	TOP00	Output	Setting not required	PMC32 = 1	PFC32 = 1	PFCE32 = 1	
P33	TIP01	Input	Setting not required	PMC33 = 1	PFC33 = 0	–	
	TOP01	Output	Setting not required	PMC33 = 1	PFC33 = 1	–	
P34	TIP10	Input	Setting not required	PMC34 = 1	PFC34 = 0	–	
	TOP10	Output	Setting not required	PMC34 = 1	PFC34 = 1	–	
P35	TIP11	Input	Setting not required	PMC35 = 1	PFC35 = 0	–	
	TOP11	Output	Setting not required	PMC35 = 1	PFC35 = 1	–	
P38	TXDA2	Output	Setting not required	PMC38 = 1	–	–	
P39	RXDA2	Input	Setting not required	PMC39 = 1	–	–	<b>Note 2</b>
	INTP8	Input	Setting not required	PMC39 = 1	–	–	<b>Note 2</b> , INTx39 (INTx3)
P40	SIB0	Input	Setting not required	PMC40 = 1	–	–	
P41	SOB0	Output	Setting not required	PMC41 = 1	–	–	
P42	SCKB0	I/O	Setting not required	PMC42 = 1	–	–	

- Notes**
1. The INTP7 pin functions alternately as the RXDA0 pin. To use this pin as the RXDA0 pin, invalidate the edge detection function of the alternate-function INTP7 pin (by clearing the INTF31 bit of the INTF3 register to 0 and the INTR31 bit of the INTR3 register to 0). To use this pin as the INTP7 pin, stop the reception operation of UARTA0 (by clearing the UA0RXE bit of the UA0CTL0 register to 0).
  2. The INTP8 pin functions alternately as the RXDA2 pin. To use this pin as the RXDA2 pin, invalidate the edge detection function of the alternate-function INTP8 pin (by clearing the INTF39 bit of the INTF3 register to 0 and the INTR39 bit of the INTR3 register to 0). To use this pin as the INTP8 pin, stop the reception operation of UARTA2 (by clearing the UA2RXE bit of the UA2CTL0 register to 0).

- Remarks**
1. The port register (Pn) does not have to be set when the alternate function is used.
  2. INTxn = INTFn, INTRn

Table 4-19. Using Port Pin as Alternate-Function Pin (3/5)

Pin Name	Alternate-Function Pin		PMn Register	PMCn Register	PFCm Register	PFCEm Register	Other Bits (Register)
	Name	I/O					
P50	KR0	Input	Setting not required	PMC50 = 1	PFC50 = 1	PFCE50 = 0	<b>Note 1</b>
	TIQ01	Input	Setting not required	PMC50 = 1	PFC50 = 1	PFCE50 = 0	<b>Note 1</b>
	TOQ01	Output	Setting not required	PMC50 = 1	PFC50 = 0	PFCE50 = 1	
P51	KR1	Input	Setting not required	PMC51 = 1	PFC51 = 1	PFCE54 = 0	<b>Note 1</b>
	TIQ02	Input	Setting not required	PMC51 = 1	PFC51 = 1	PFCE51 = 0	<b>Note 1</b>
	TOQ02	Output	Setting not required	PMC51 = 1	PFC51 = 0	PFCE51 = 1	
P52	KR2	Input	Setting not required	PMC52 = 1	PFC52 = 1	PFCE52 = 0	<b>Note 1</b>
	TIQ03	Input	Setting not required	PMC52 = 1	PFC52 = 1	PFCE52 = 0	<b>Note 1</b>
	TOQ03	Output	Setting not required	PMC52 = 1	PFC52 = 0	PFCE52 = 1	
	DDI <sup>Note 2</sup>	Input	Setting not required	Setting not required	Setting not required	Setting not required	OCDM0 (OCDM) = 1
P53	KR3	Input	Setting not required	PMC53 = 1	PFC53 = 1	PFCE53 = 0	<b>Note 1</b>
	TIQ00	Input	Setting not required	PMC53 = 1	PFC53 = 1	PFCE53 = 0	<b>Note 1</b>
	TOQ00	Output	Setting not required	PMC53 = 1	PFC53 = 0	PFCE53 = 1	
	DDO <sup>Note 2</sup>	Output	Setting not required	Setting not required	Setting not required	Setting not required	OCDM0 (OCDM) = 1
P54	KR4	Input	Setting not required	PMC54 = 1	PFC54 = 1	–	
	DCK <sup>Note 2</sup>	Output	Setting not required	Setting not required	Setting not required	–	OCDM0 (OCDM) = 1
P55	KR5	Input	Setting not required	PMC55 = 1	PFC55 = 1	–	
	DMS <sup>Note 2</sup>	Output	Setting not required	Setting not required	Setting not required	–	OCDM0 (OCDM) = 1

**Notes 1.** The KRn pin functions alternately as the TIQ0m pin. To use this pin as the TIQ0m pin, invalidate the key return detection function of the alternate-function KRn pin (by clearing the KRMn bit of the KRM register to 0). To use this pin as the KRn pin, invalidate the edge detection function of the alternate-function TIQ0m pin (n = 0 to 3, m = 0 to 3).

Pin Name	When Used as TIQ0m Pin	When Used as KRn Pin
KR0/TIQ01	KRM0 bit of KRM register = 0	TQ0TIG2, TQ0TIG3 bits of TQ0IOC1 register = 0
KR1/TIQ02	KRM1 bit of KRM register = 0	TQ0TIG4, TQ0TIG5 bits of TQ0IOC1 register = 0
KR2/TIQ03	KRM2 bit of KRM register = 0	TQ0TIG6, TQ0TIG7 bits of TQ0IOC1 register = 0
KR3/TIQ00	KRM3 bit of KRM register = 0	TQ0TIG0, TQ0TIG1 bits of TQ0IOC1 register = 0 TQ0EES0, TQ0EES1 bits of TQ0IOC2 register = 0 TQ0ETS0, TQ0ETS1 bits of TQ0IOC2 register = 0

**2.** The DDI, DDO, DCK, and DMS pins are on-chip debug pins. To not use these pins as on-chip debug pins after an external reset, see **CHAPTER 25 ON-CHIP DEBUG FUNCTION**.

**Caution** If the control mode is specified by using the PMC5 register when the PFC5.PFC5n bit and the PFCE5.PFCE5n bit are the default values (0), the output becomes undefined. For this reason, first set the PFC5.PFC5n bit and the PFCE5.PFCE5n bit, and then set the PMC5n bit to 1 to set the control mode.

**Remarks 1.** The port register (Pn) does not have to be set when the alternate function is used.  
**2.** INTxn = INTFn, INTRn



Table 4-19. Using Port Pin as Alternate-Function Pin (4/5)

Pin Name	Alternate-Function Pin		PMn Register	PMCn Register	PFCm Register	PFCEm Register	Other Bits (Register)
	Name	I/O					
P70	ANI0	Input	PM70 = 1 <sup>Note</sup>	–	–	–	
P71	ANI1	Input	PM71 = 1 <sup>Note</sup>	–	–	–	
P72	ANI2	Input	PM72 = 1 <sup>Note</sup>	–	–	–	
P73	ANI3	Input	PM73 = 1 <sup>Note</sup>	–	–	–	
P74	ANI4	Input	PM74 = 1 <sup>Note</sup>	–	–	–	
P75	ANI5	Input	PM75 = 1 <sup>Note</sup>	–	–	–	
P76	ANI6	Input	PM76 = 1 <sup>Note</sup>	–	–	–	
P77	ANI7	Input	PM77 = 1 <sup>Note</sup>	–	–	–	
P78	ANI8	Input	PM78 = 1 <sup>Note</sup>	–	–	–	
P79	ANI9	Input	PM79 = 1 <sup>Note</sup>	–	–	–	
P710	ANI10	Input	PM710 = 1 <sup>Note</sup>	–	–	–	
P711	ANI11	Input	PM711 = 1 <sup>Note</sup>	–	–	–	
P712	ANI12	Input	PM712 = 1 <sup>Note</sup>	–	–	–	
P713	ANI13	Input	PM713 = 1 <sup>Note</sup>	–	–	–	
P714	ANI14	Input	PM714 = 1 <sup>Note</sup>	–	–	–	
P715	ANI15	Input	PM715 = 1 <sup>Note</sup>	–	–	–	

**Note** Set PM7n to 1 to use the alternate function of P7n (ANIn).

**Caution** If the control mode is specified by using the PMC6 register when the PFC6.PFC6n bit (n = 0 to 8) is the default value (0), the output becomes undefined.

For this reason, first set the PFC6.PFC6n bit and then set the PMC6n bit to 1 to set the control mode.

**Remarks**

1. The port register (Pn) does not have to be set when the alternate function is used.
2. INTxn = INTFn, INTRn

Table 4-19. Using Port Pin as Alternate-Function Pin (5/5)

Pin Name	Alternate-Function Pin		PMn Register	PMCn Register	PFCm Register	PFCEm Register	Other Bits (Register)
	Name	I/O					
P90	KR6	Input	Setting not required	PMC90 = 1	PFC90 = 1	PFCE90 = 0	
	TXDA1	Output	Setting not required	PMC90 = 1	PFC90 = 0	PFCE90 = 1	
P91	KR7 <sup>Note 1</sup>	Input	Setting not required	PMC91 = 1	PFC91 = 1	PFCE91 = 0	
					PFC91 = 0	PFCE91 = 1	
P92	TIQ11	Input	Setting not required	PMC92 = 1	PFC92 = 1	PFCE92 = 0	
	TOQ11	Output	Setting not required	PMC92 = 1	PFC92 = 0	PFCE92 = 1	
P93	TIQ12	Input	Setting not required	PMC93 = 1	PFC93 = 1	PFCE93 = 0	
	TOQ12	Output	Setting not required	PMC93 = 1	PFC93 = 0	PFCE93 = 1	
P94	TIQ13	Input	Setting not required	PMC94 = 1	PFC94 = 1	PFCE94 = 0	
	TOQ13	Output	Setting not required	PMC94 = 1	PFC94 = 0	PFCE94 = 1	
P95	TIQ10	Input	Setting not required	PMC95 = 1	PFC95 = 1	PFCE95 = 0	
	TOQ10	Output	Setting not required	PMC95 = 1	PFC95 = 0	PFCE95 = 1	
P96	TIP21	Input	Setting not required	PMC96 = 1	PFC96 = 0	PFCE96 = 1	
	TOP21	Output	Setting not required	PMC96 = 1	PFC96 = 1	PFCE96 = 1	
P97	SIB1	Input	Setting not required	PMC97 = 1	PFC97 = 1	PFCE97 = 0	
	TIP20	Input	Setting not required	PMC97 = 1	PFC97 = 0	PFCE97 = 1	
	TOP20	Output	Setting not required	PMC97 = 1	PFC97 = 1	PFCE97 = 1	
P98	SOB1	Output	Setting not required	PMC98 = 1	PFC98 = 1	–	
P99	SCKB1	I/O	Setting not required	PMC99 = 1	PFC99 = 1	–	
P913	INTP4	Input	Setting not required	PMC913 = 1	PFC913 = 1	PFCE913 = 0	INTx913 (INTx9H)
	PCL	Output	Setting not required	PMC913 = 1	PFC913 = 0	PFCE913 = 1	
P914	INTP5	Input	Setting not required	PMC914 = 1	PFC914 = 1	–	INTx914 (INTx9H)
P915	INTP6	Input	Setting not required	PMC915 = 1	PFC915 = 1	–	INTx915 (INTx9H)
PCM1	CLKOUT	Output	Setting not required	PMCCM1 = 1	–	–	
PDL5	FLMD1	Input	Setting not required	Setting not required	–	–	<b>Note 2</b>

**Notes** 1. The KR7 pin and RXDA1 pin are alternate-function pins.

When using the pin as the RXDA1 pin, disable KR7 pin key return detection. (Clear the KRM.KRM7 bit to 0.)

Also, when using the pin as the KR7 pin, it is recommended to set the PFC91 bit to 1 and clear the PFCE91 bit to 0.

2. The FLMD1 pin does not have to be manipulated by using a port control register because it is used in the flash programming mode. For details, see **CHAPTER 23 FLASH MEMORY**.

**Caution** If the control mode is specified by using the PMC9 register when the PFC9.PFC9n bit and the PFCE9.PFCE9n bit are the default values (0), the output becomes undefined.

For this reason, first set the PFC9.PFC9n bit and the PFCE9.PFCE9n bit, and then set the PMC9n bit to 1 to set the control mode.

**Remarks** 1. The port register (Pn) does not have to be set when the alternate function is used.

2. INTxn = INTFn, INTRn

4.4 Block Diagrams of Port

Figure 4-2. Block Diagram of Type A-1

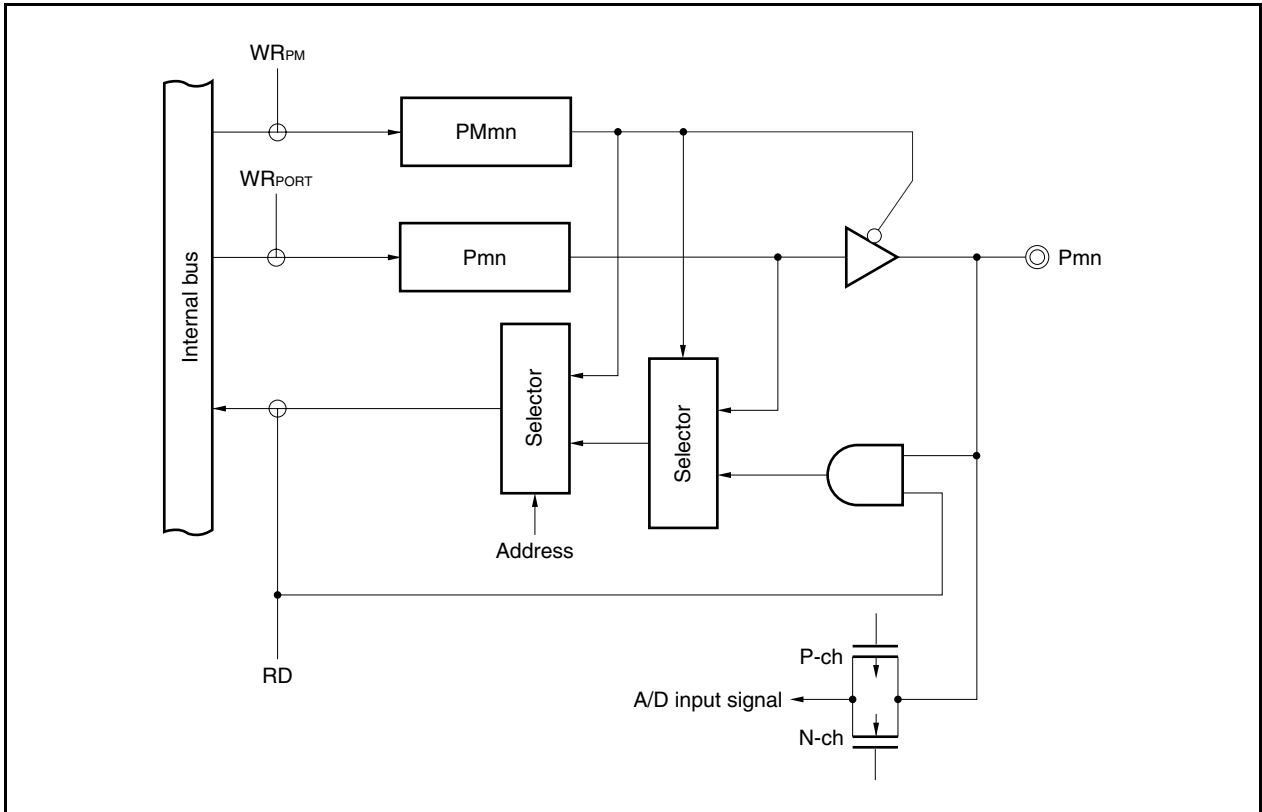


Figure 4-3. Block Diagram of Type B-1

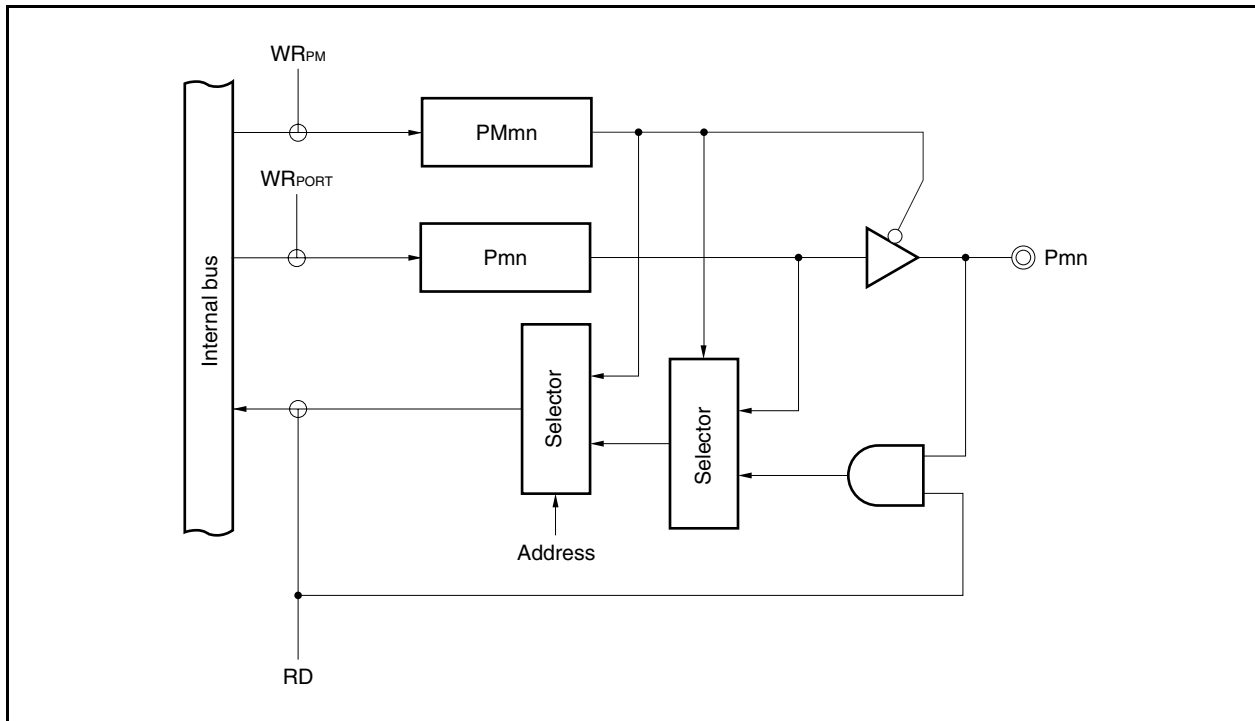


Figure 4-4. Block Diagram of Type C-1

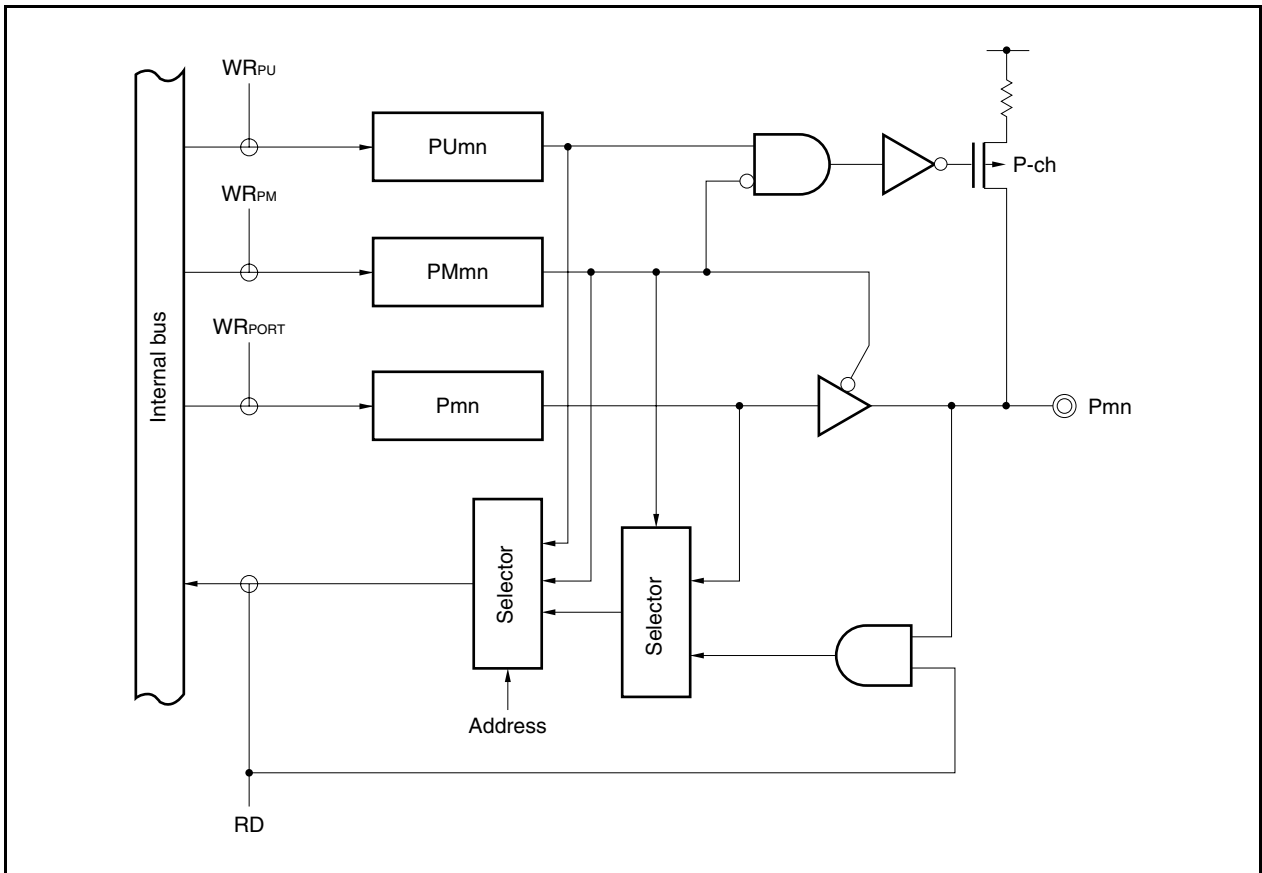


Figure 4-5. Block Diagram of Type D-2

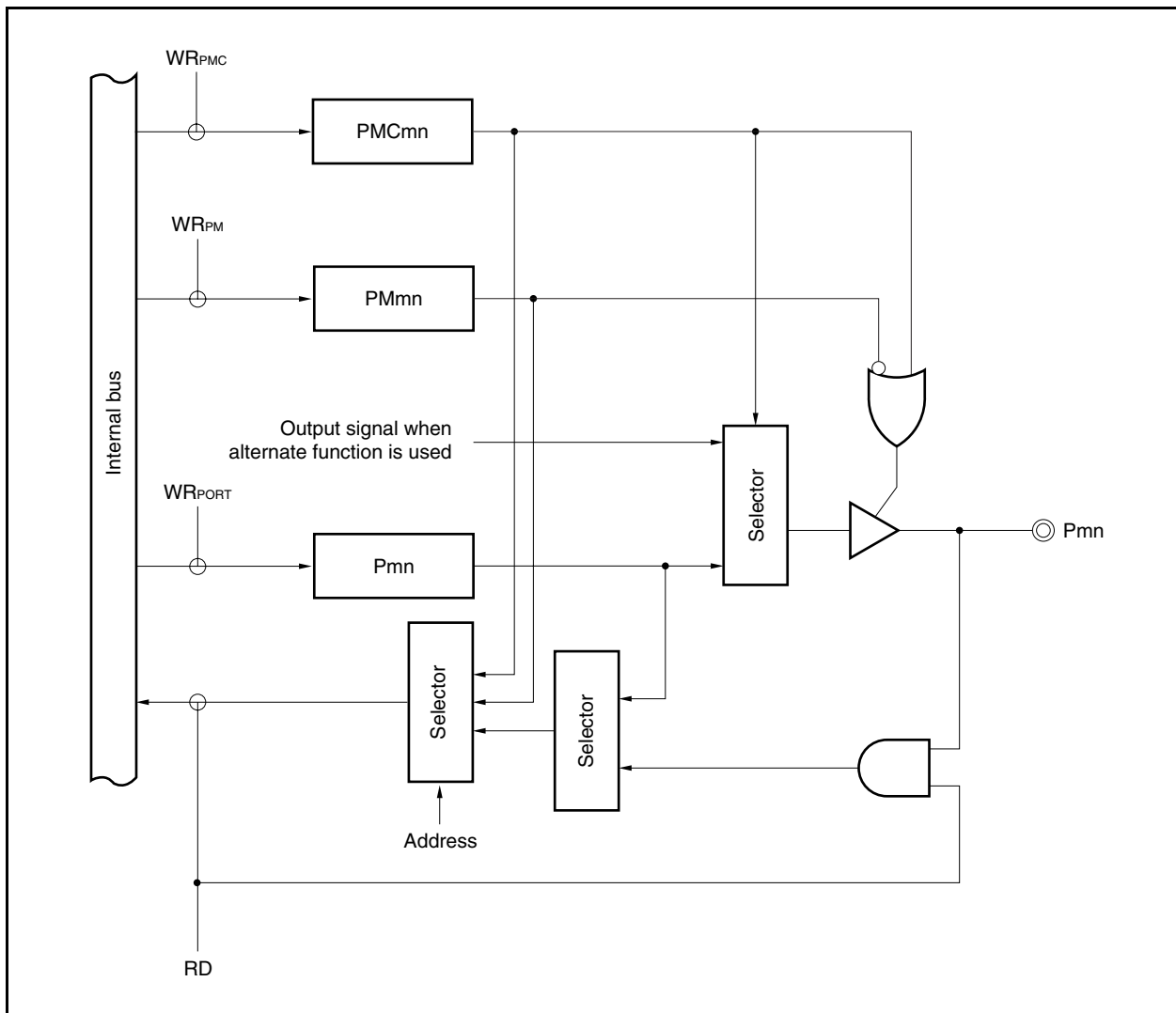


Figure 4-6. Block Diagram of Type E-1

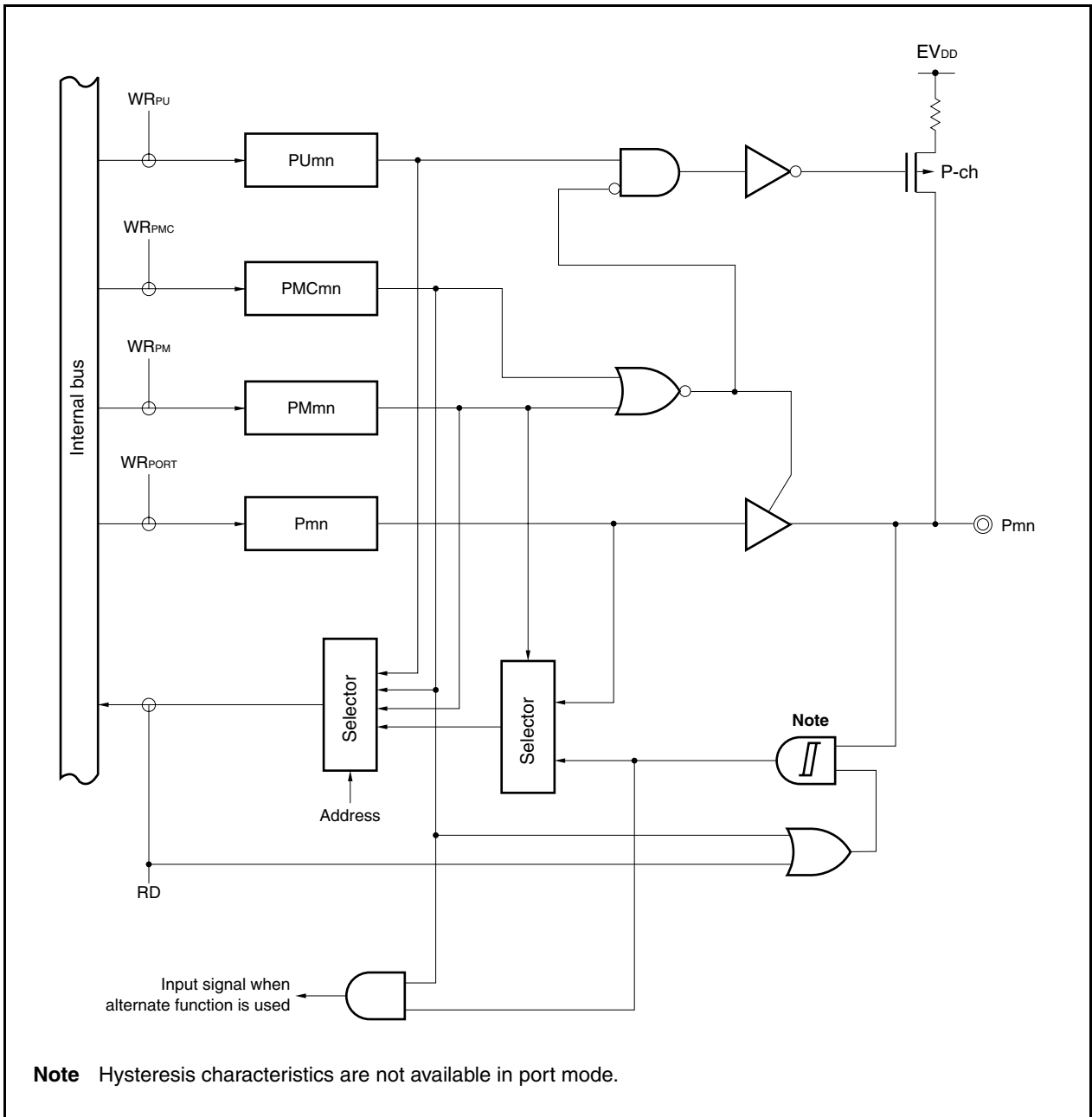


Figure 4-7. Block Diagram of Type E-2

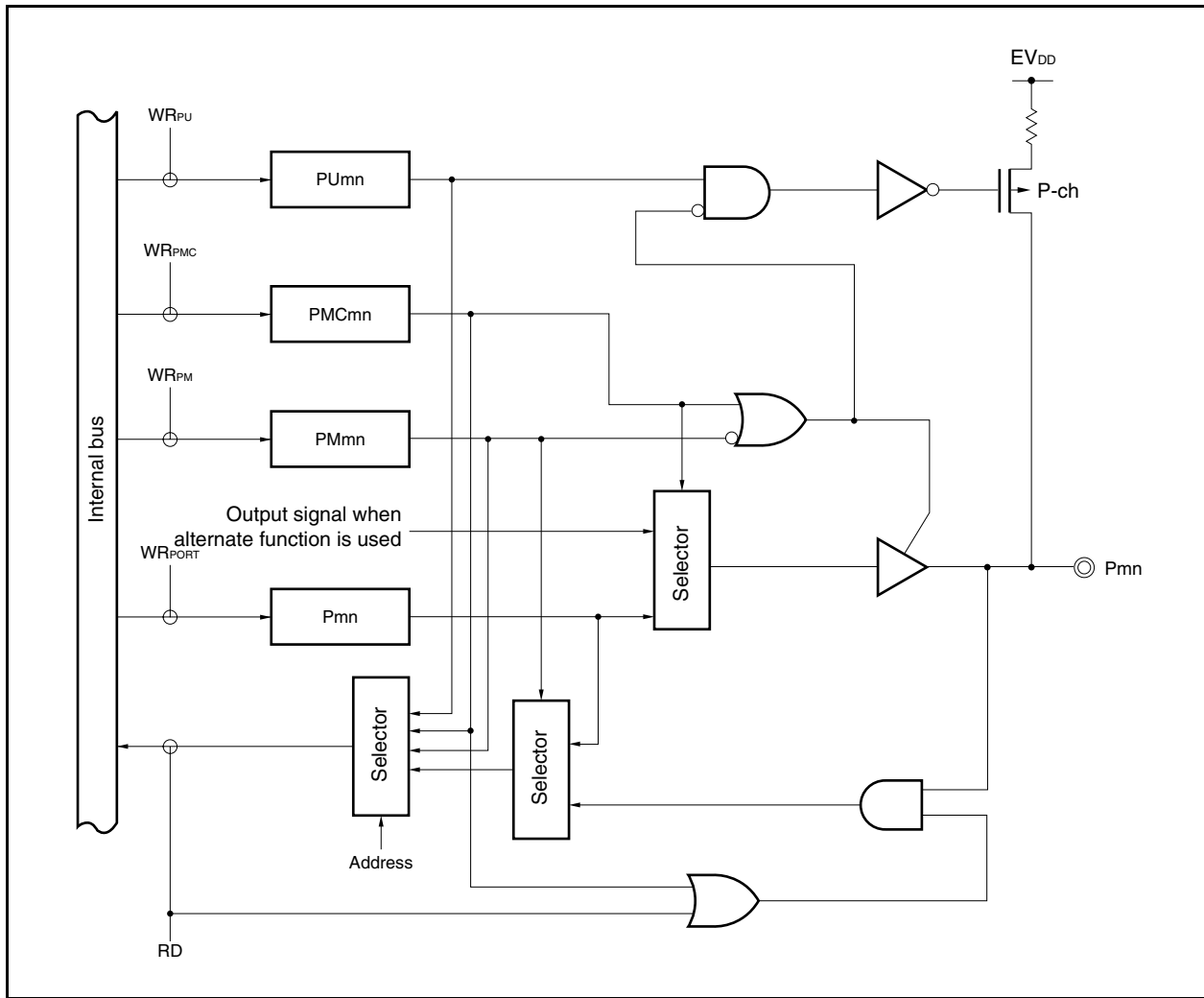






Figure 4-9. Block Diagram of Type G-1

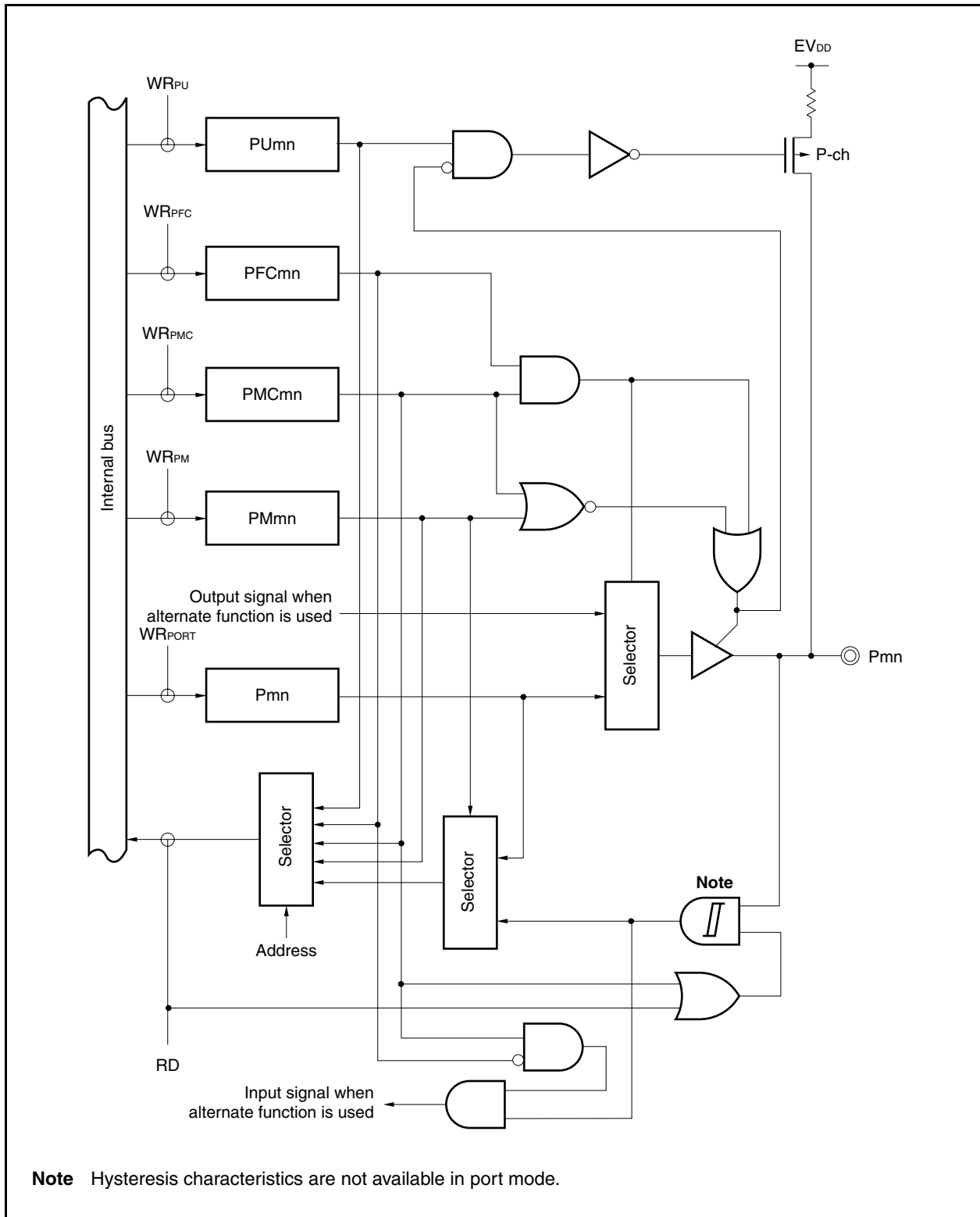


Figure 4-10. Block Diagram of Type G-2

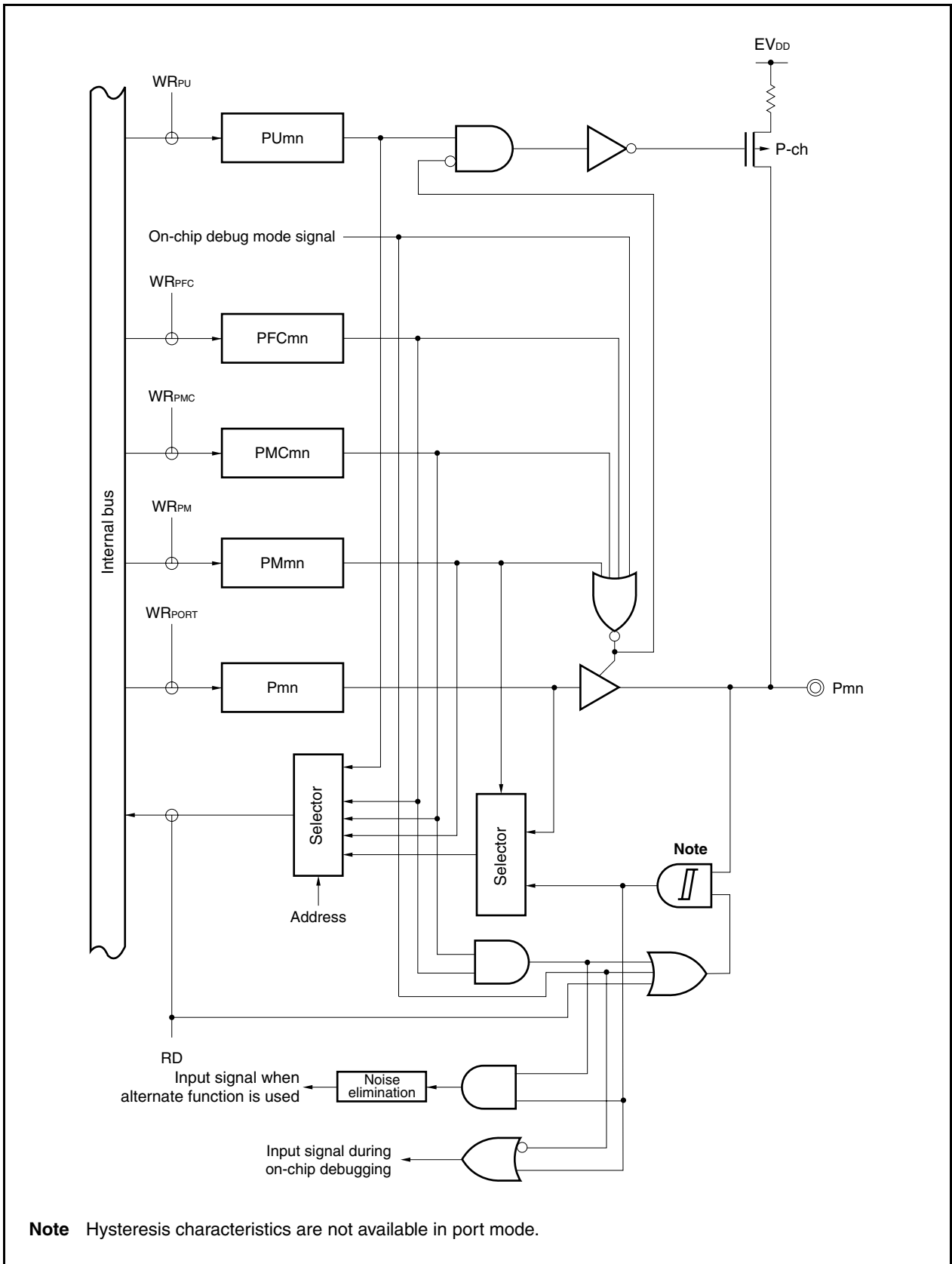


Figure 4-11. Block Diagram of Type G-3

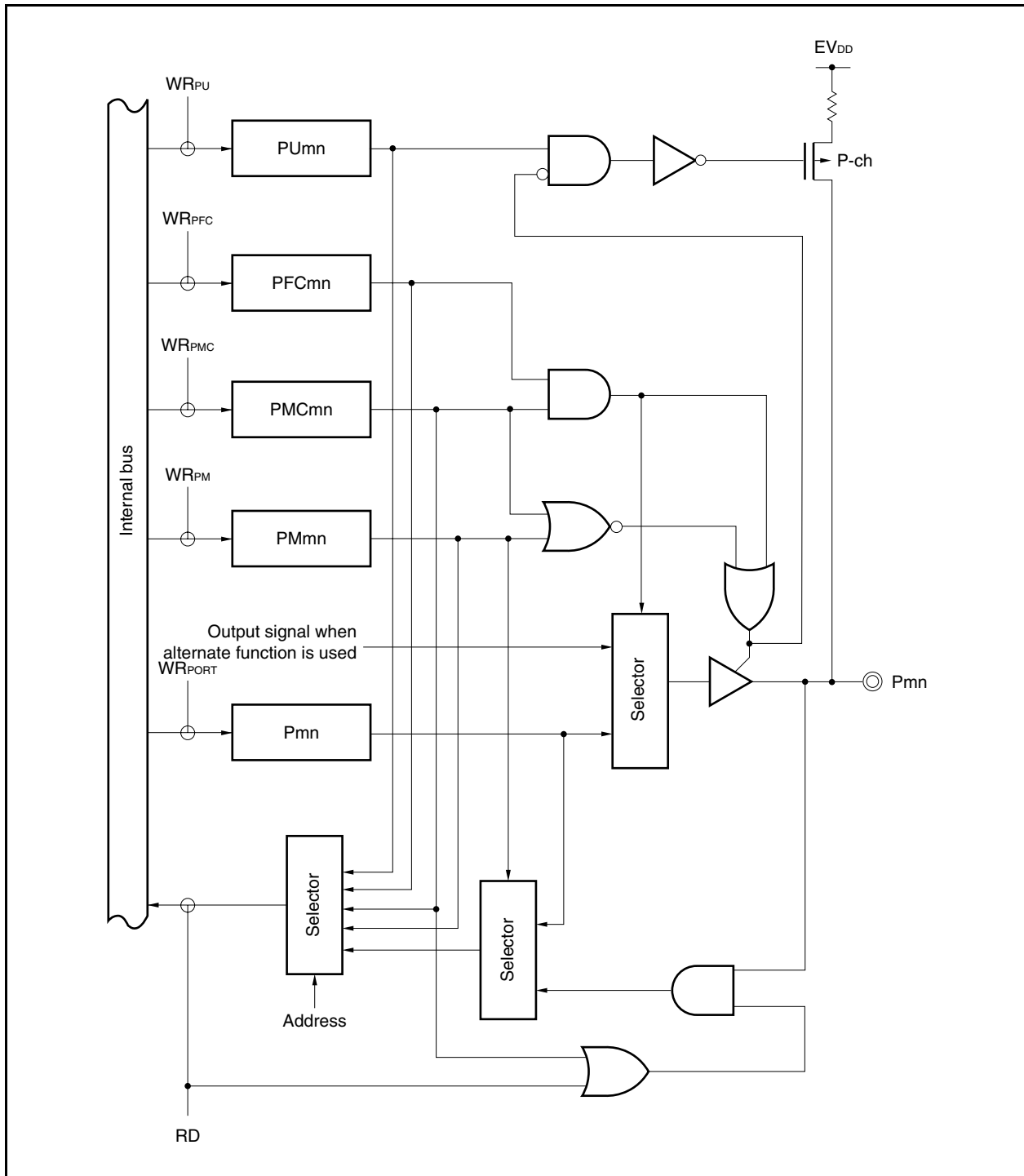


Figure 4-12. Block Diagram of Type G-5

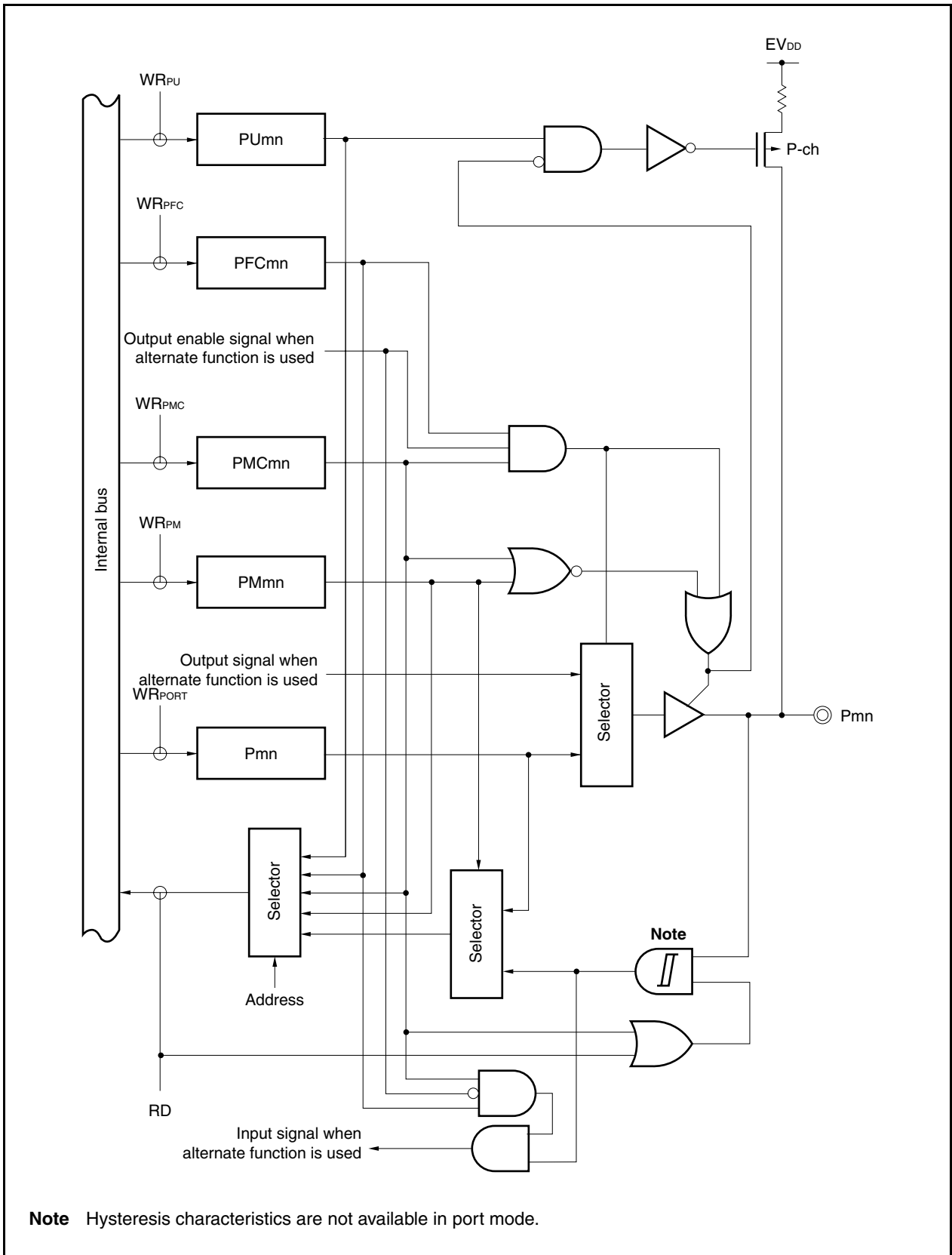
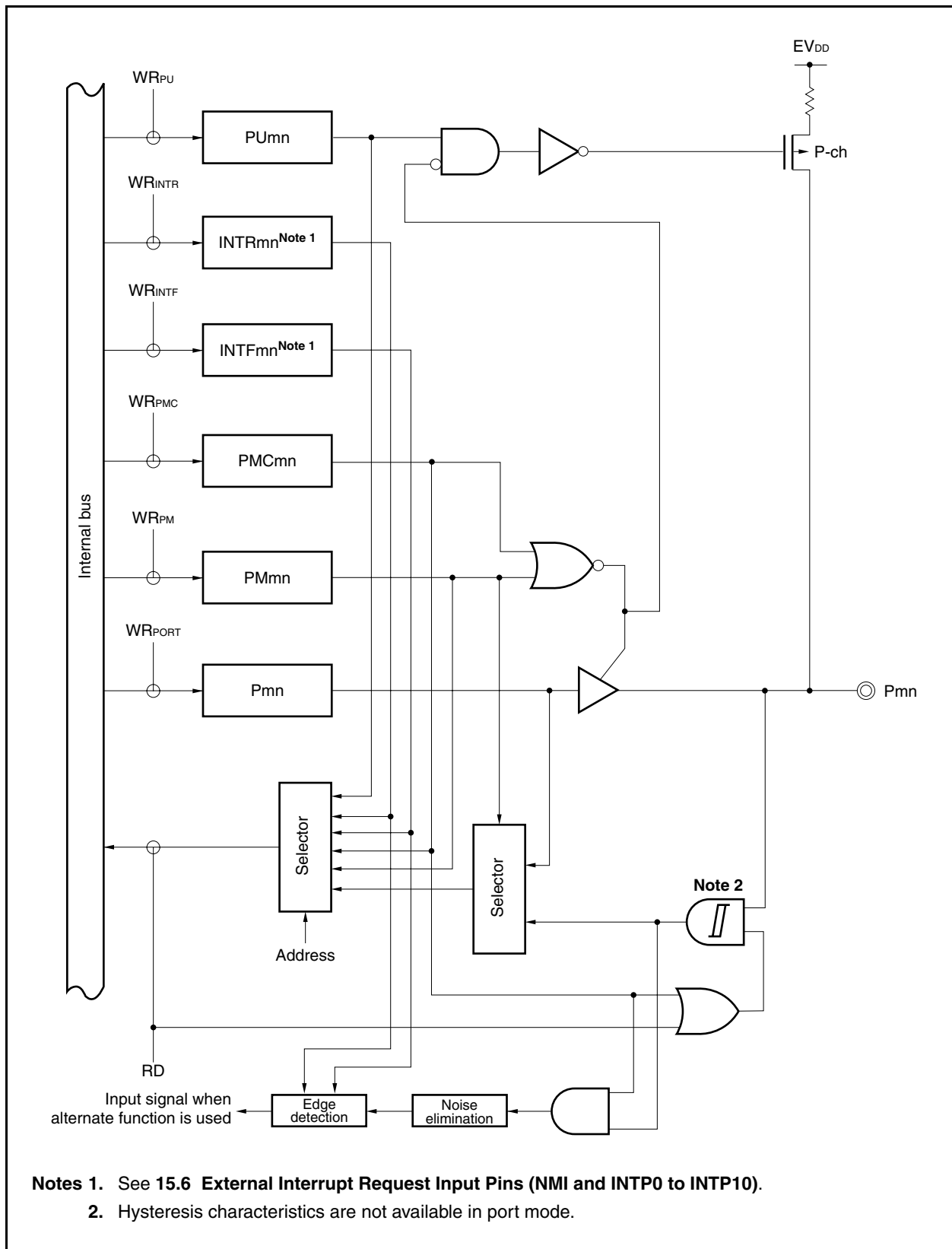


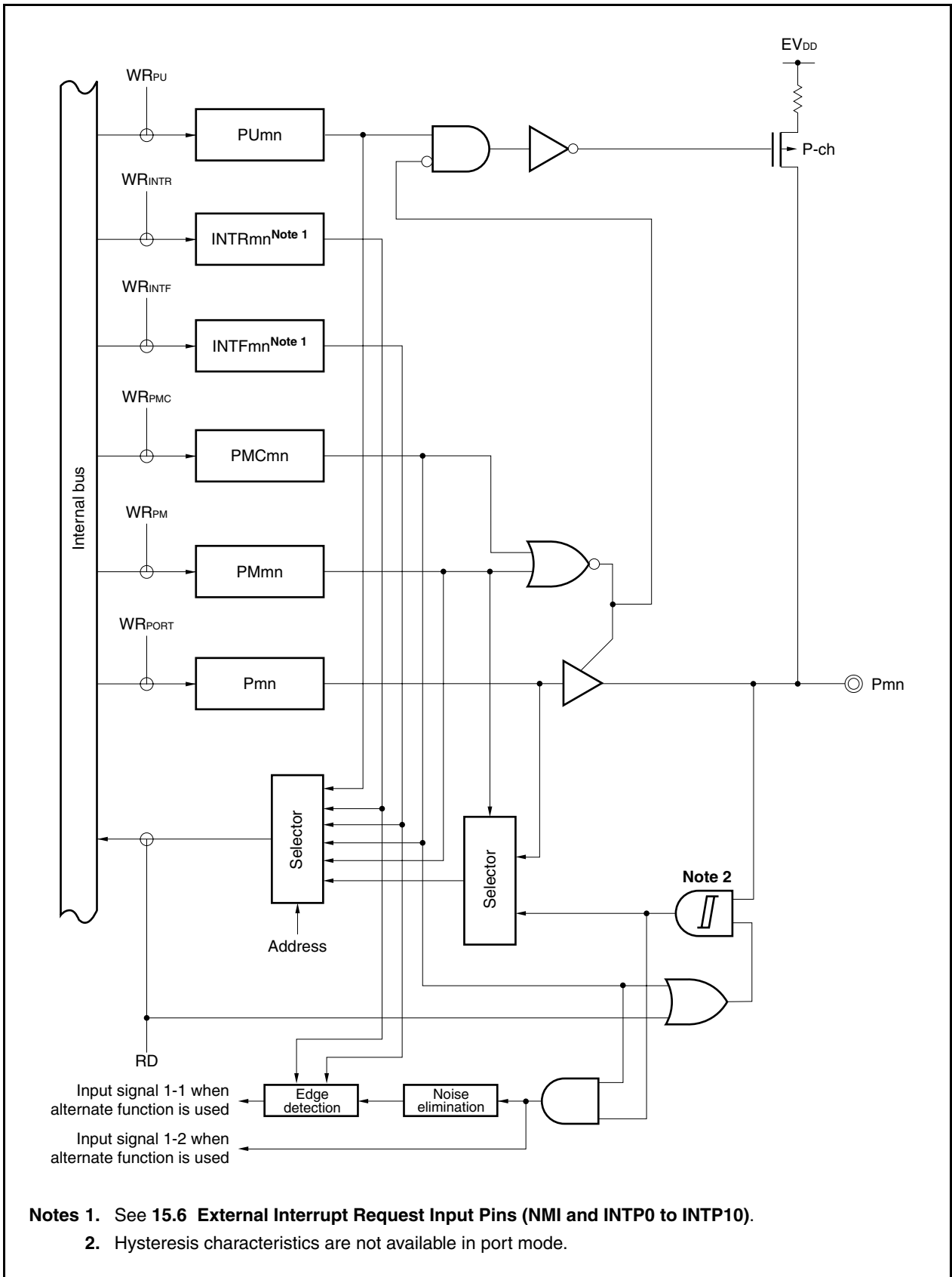
Figure 4-13. Block Diagram of Type L-1



**Notes 1.** See 15.6 External Interrupt Request Input Pins (NMI and INTP0 to INTP10).

**2.** Hysteresis characteristics are not available in port mode.

Figure 4-14. Block Diagram of Type L-2



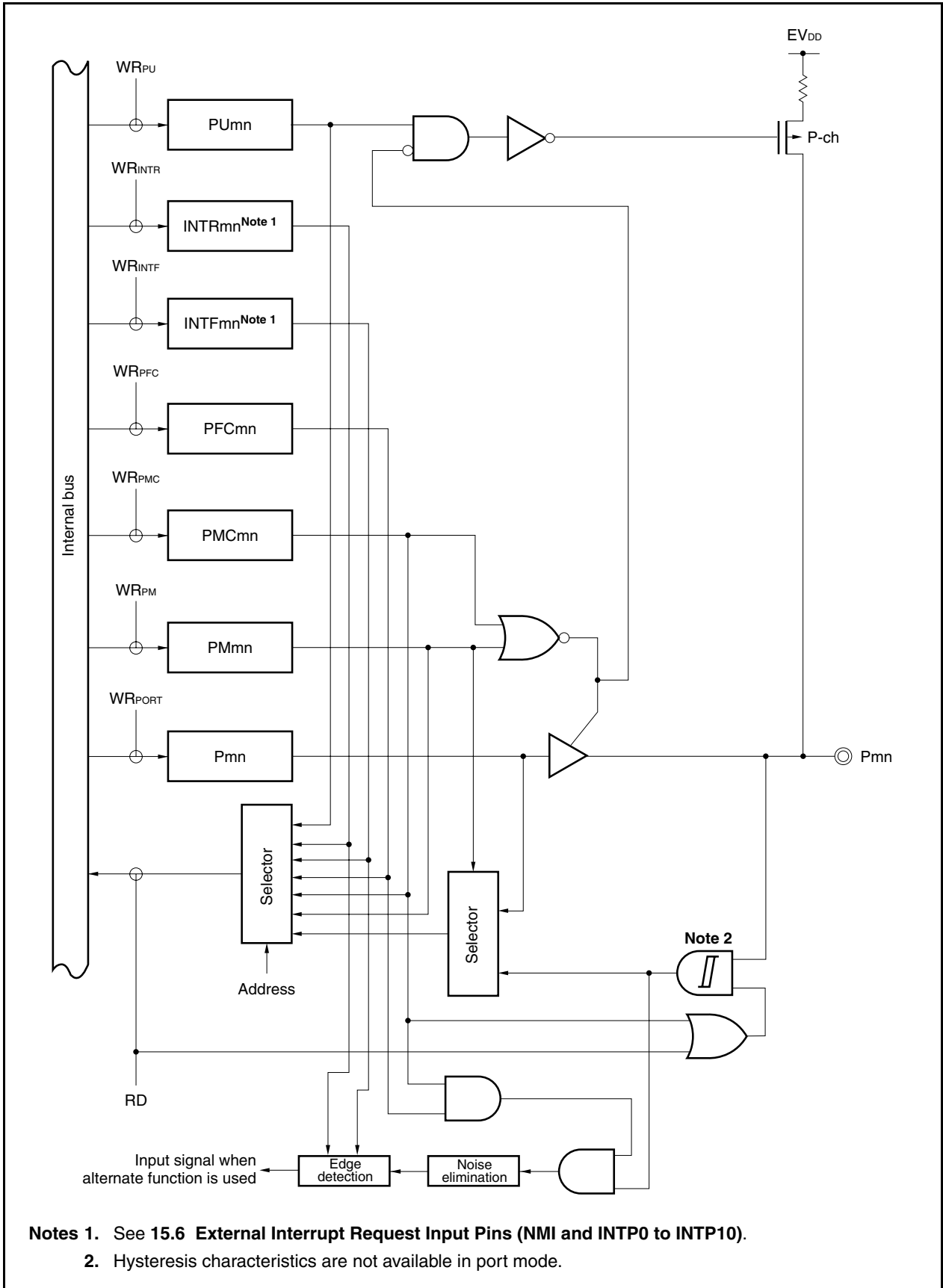
**Notes 1.** See 15.6 External Interrupt Request Input Pins (NMI and INTP0 to INTP10).

**2.** Hysteresis characteristics are not available in port mode.





Figure 4-16. Block Diagram of Type N-2



**Notes 1.** See 15.6 External Interrupt Request Input Pins (NMI and INTP0 to INTP10).

**2.** Hysteresis characteristics are not available in port mode.

Figure 4-17. Block Diagram of Type U-4

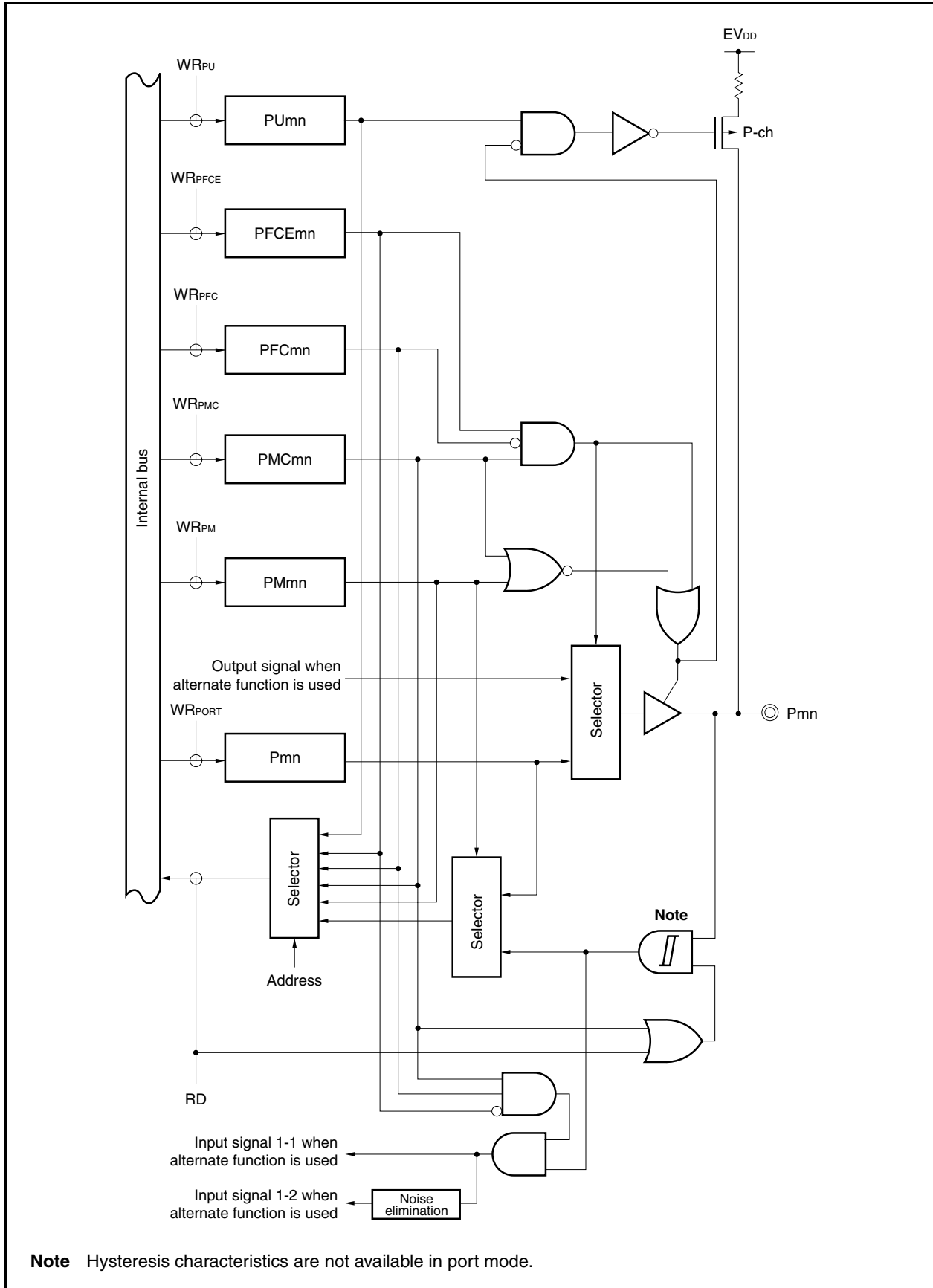


Figure 4-18. Block Diagram of Type U-5

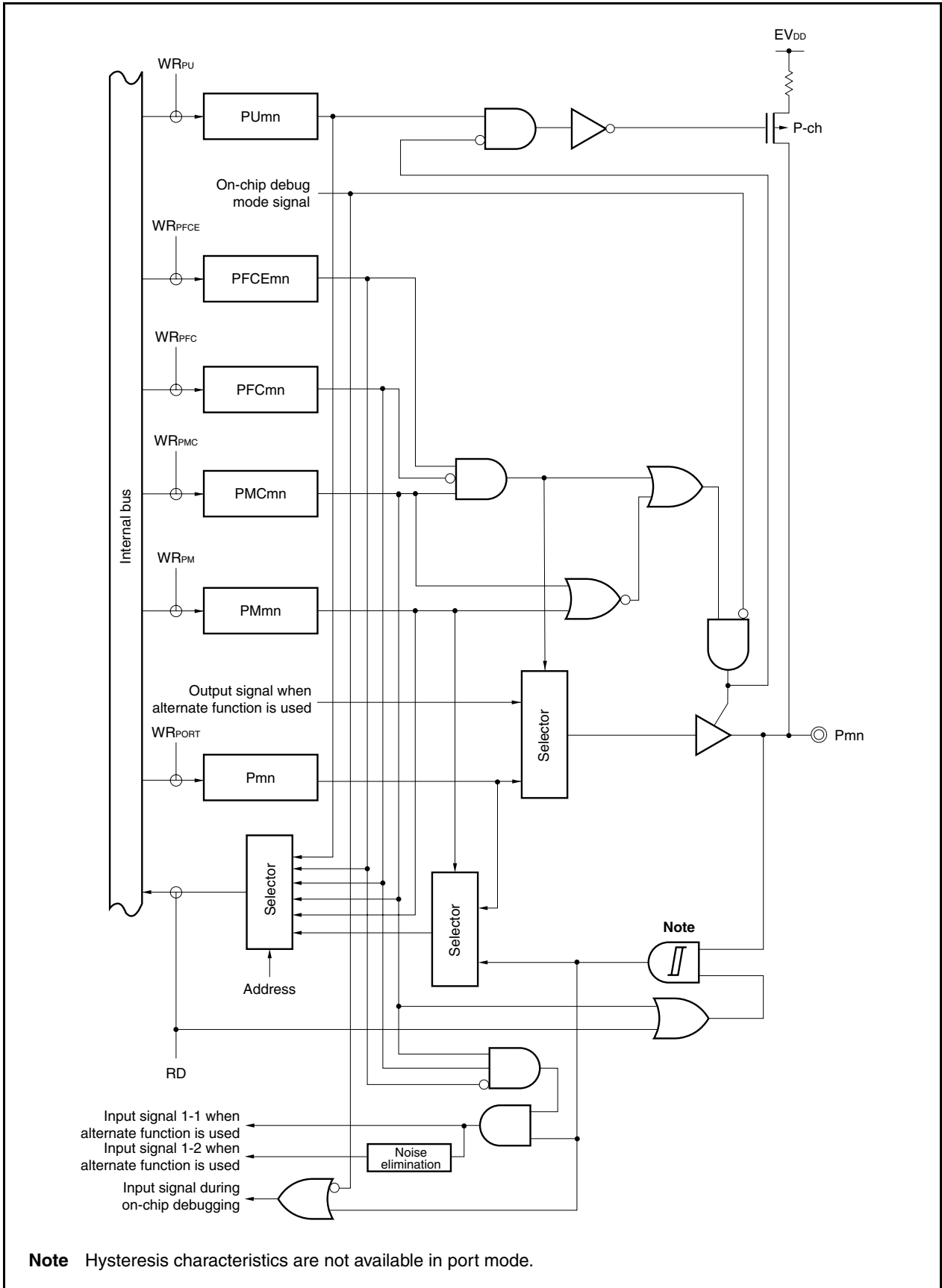


Figure 4-19. Block Diagram of Type U-6

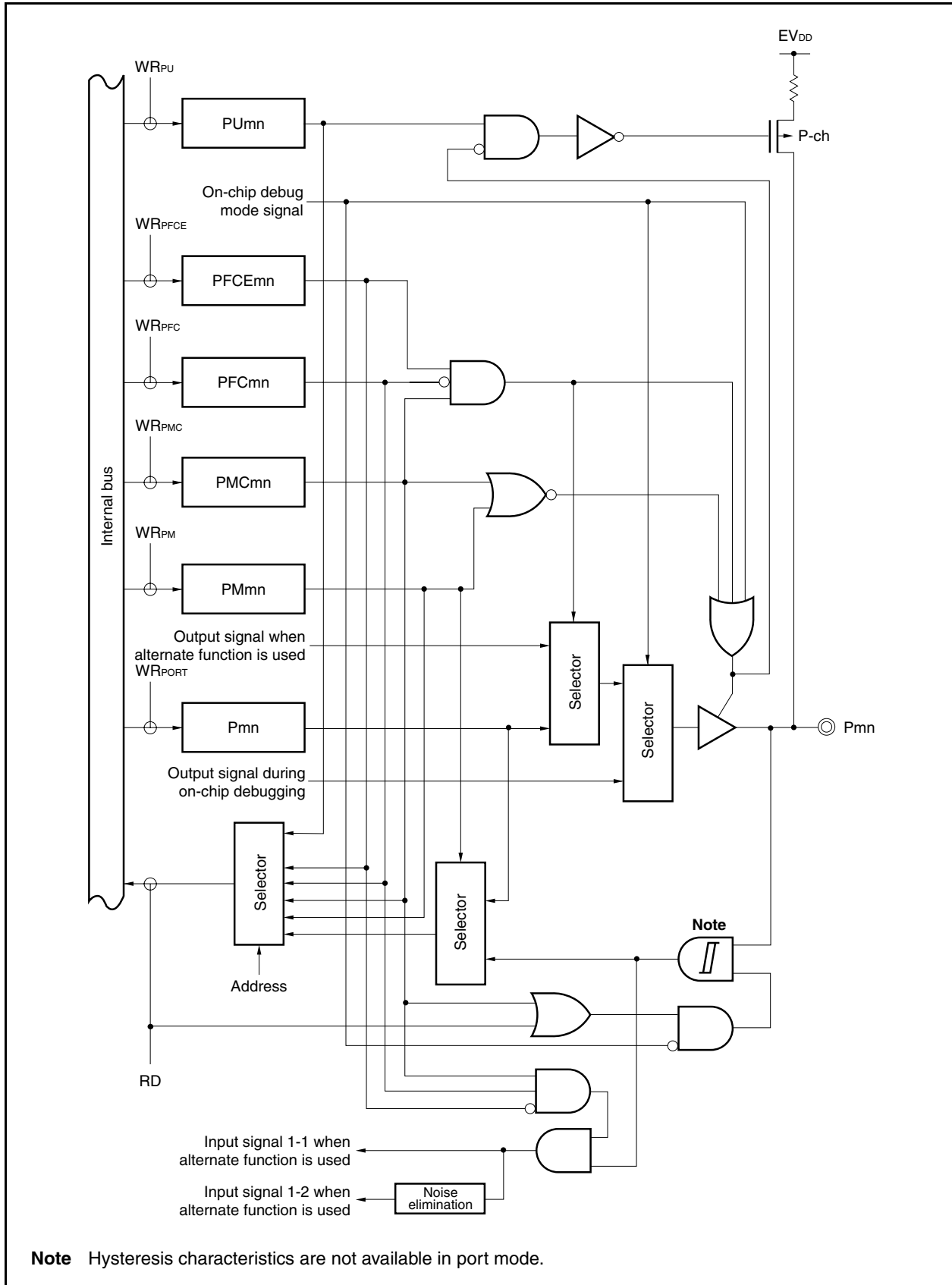


Figure 4-20. Block Diagram of Type U-7

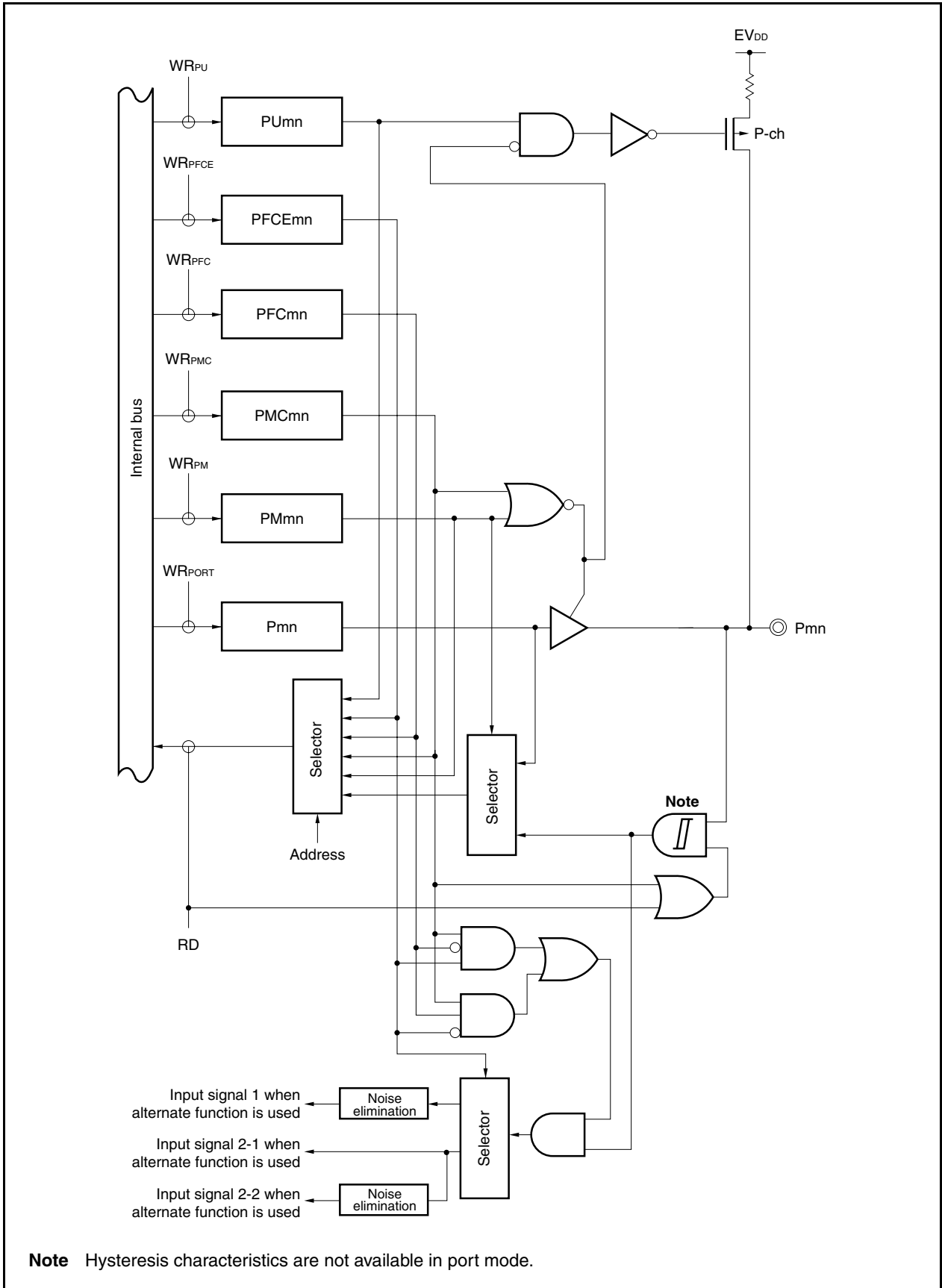


Figure 4-21. Block Diagram of Type U-8

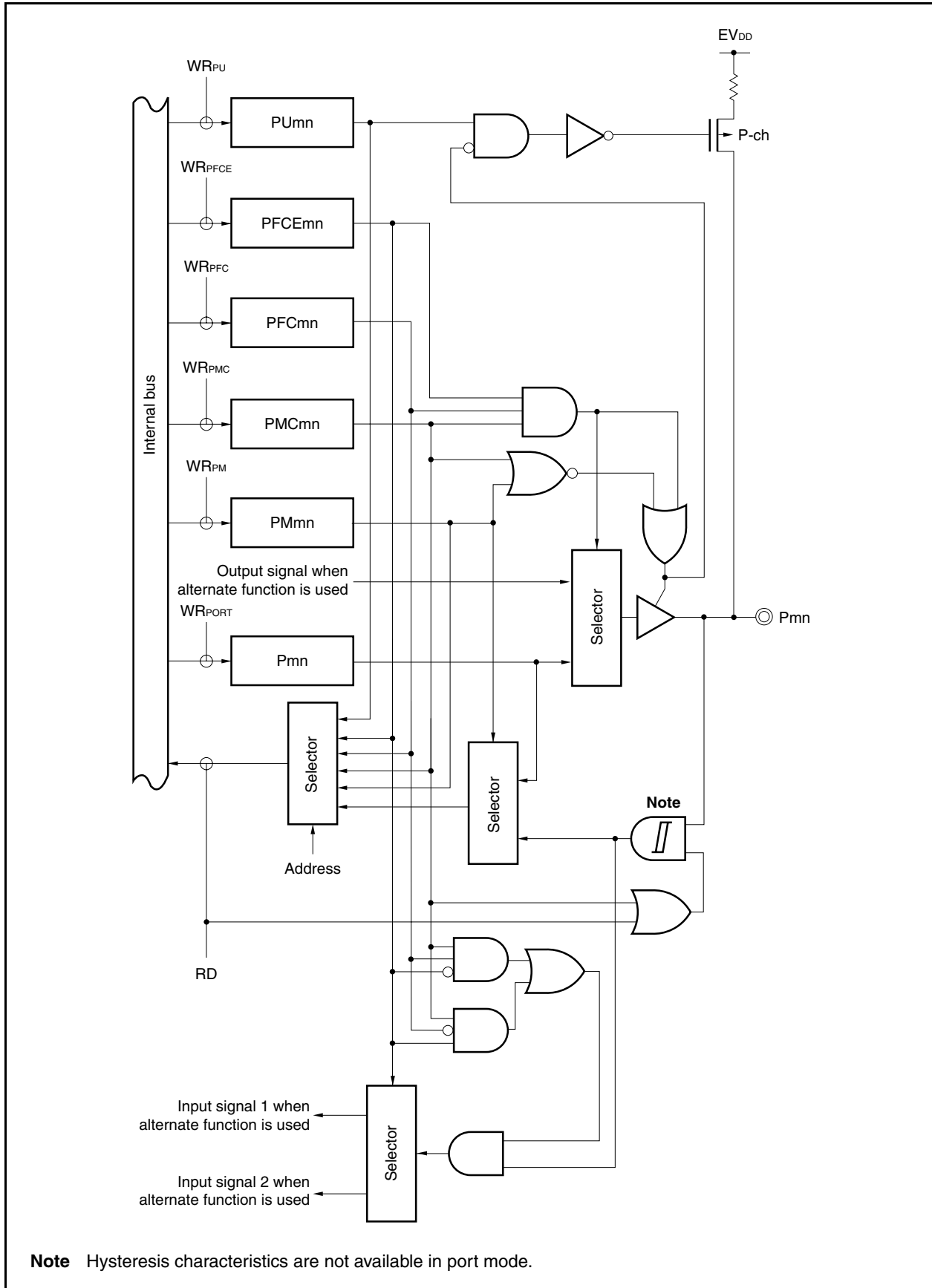
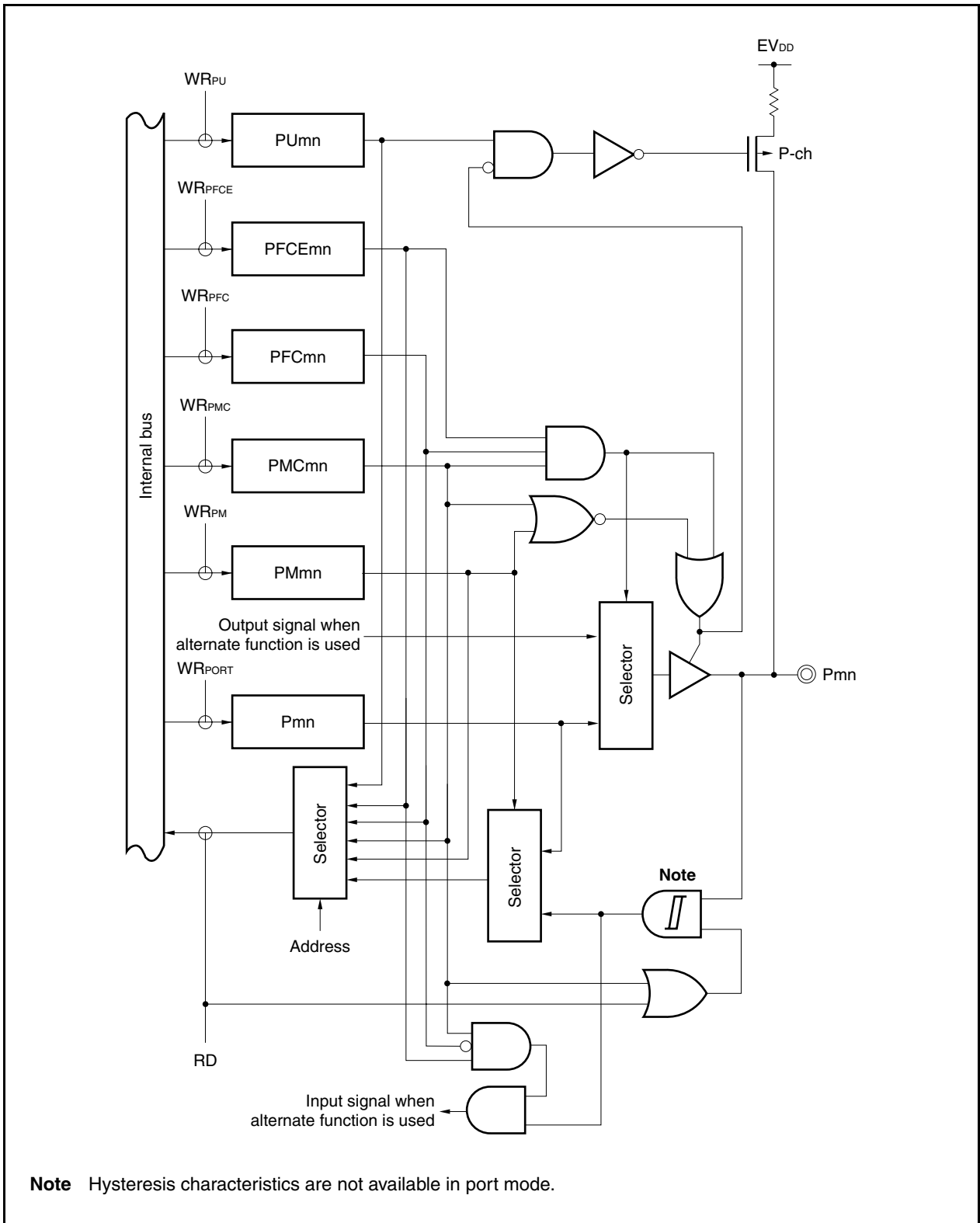
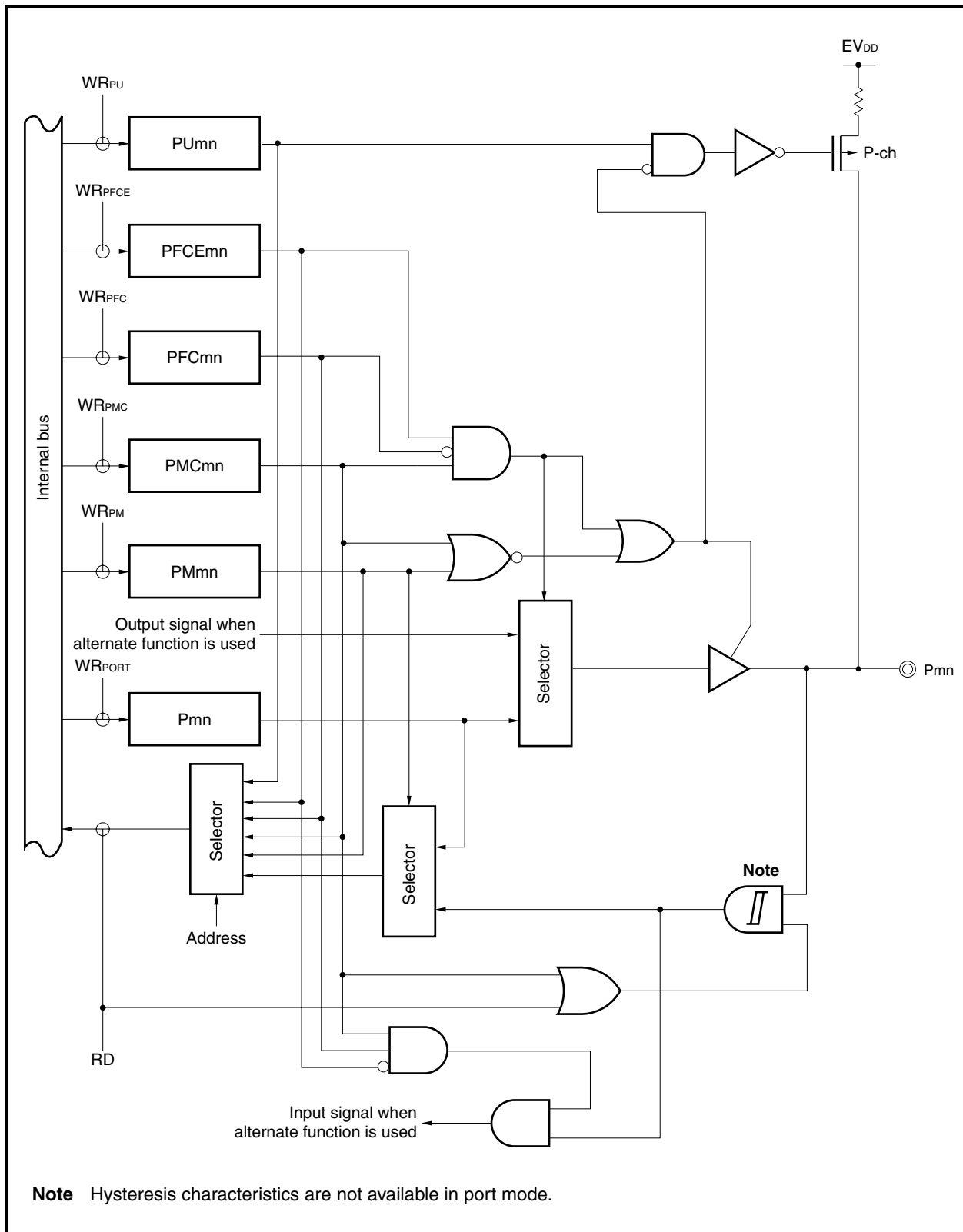


Figure 4-22. Block Diagram of Type U-9



**Note** Hysteresis characteristics are not available in port mode.

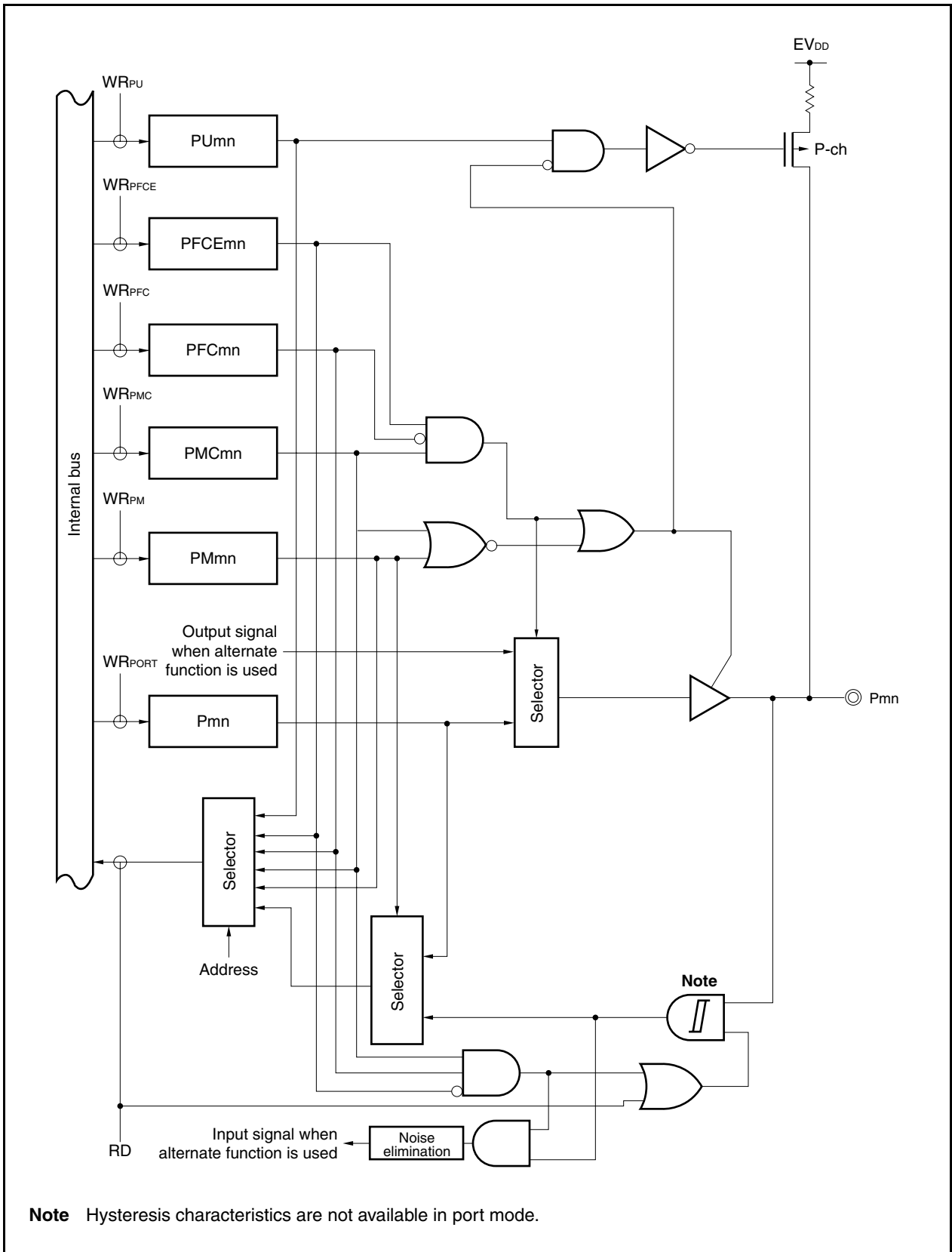
Figure 4-23. Block Diagram of Type U-11



**Note** Hysteresis characteristics are not available in port mode.



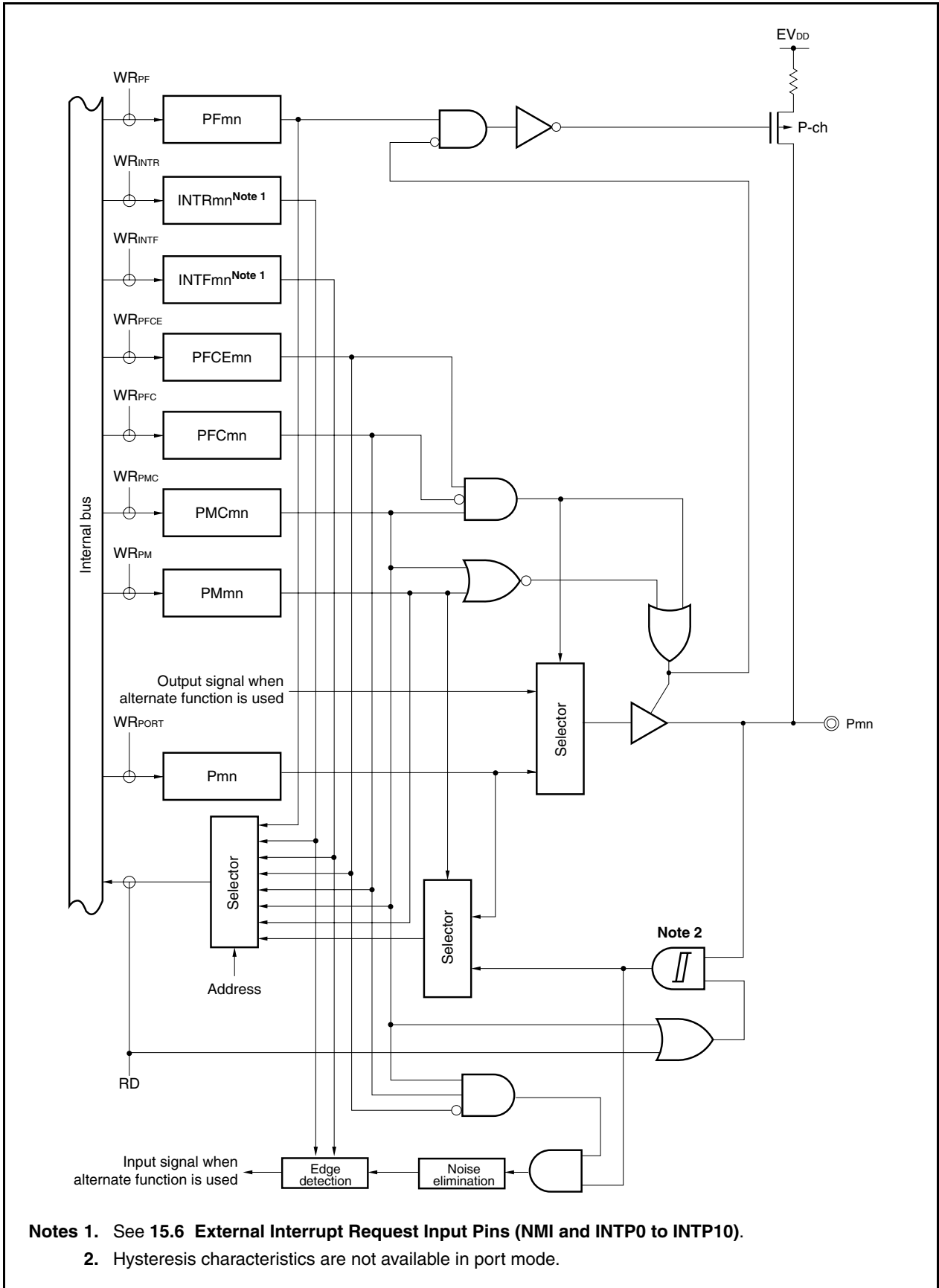
Figure 4-24. Block Diagram of Type U-12



**Note** Hysteresis characteristics are not available in port mode.



Figure 4-26. Block Diagram of Type W-1



- Notes 1.** See 15.6 External Interrupt Request Input Pins (NMI and INTP0 to INTP10).  
**2.** Hysteresis characteristics are not available in port mode.



## 4.5 Cautions

### 4.5.1 Cautions on setting port pins

(1) In the V850ES/HG2, the general-purpose port function and several peripheral function I/O pin share a pin. To switch between the general-purpose port (port mode) and the peripheral function I/O pin (alternate-function mode), set by the PMCn register. In regards to this register setting sequence, note with caution the following.

(a) Cautions on switching from port mode to alternate-function mode

To switch from the port mode to alternate-function mode in the following order.

- <1> Set the PFn register<sup>Note</sup>: N-ch open-drain setting
- <2> Set the PFCn and PFCEn registers: Alternate-function selection
- <3> Set the corresponding bit of the PMCn register to 1: Switch to alternate-function mode

If the PMCn register is set first, note with caution that, at that moment or depending on the change of the pin states in accordance with the setting of the PFn, PFCn, and PFCEn registers, unexpected operations may occur.

**Note** N-ch open-drain output pin only

**Caution** Regardless of the port mode/alternate-function mode, the Pn register is read and written as follows.

- Pn register read: Read the port output latch value (when PMn.PMnm bit = 0), or read the pin states (PMn.PMnm bit = 1).
- Pn register write: Write to the port output latch

## CHAPTER 5 CLOCK GENERATION FUNCTION

### 5.1 Overview

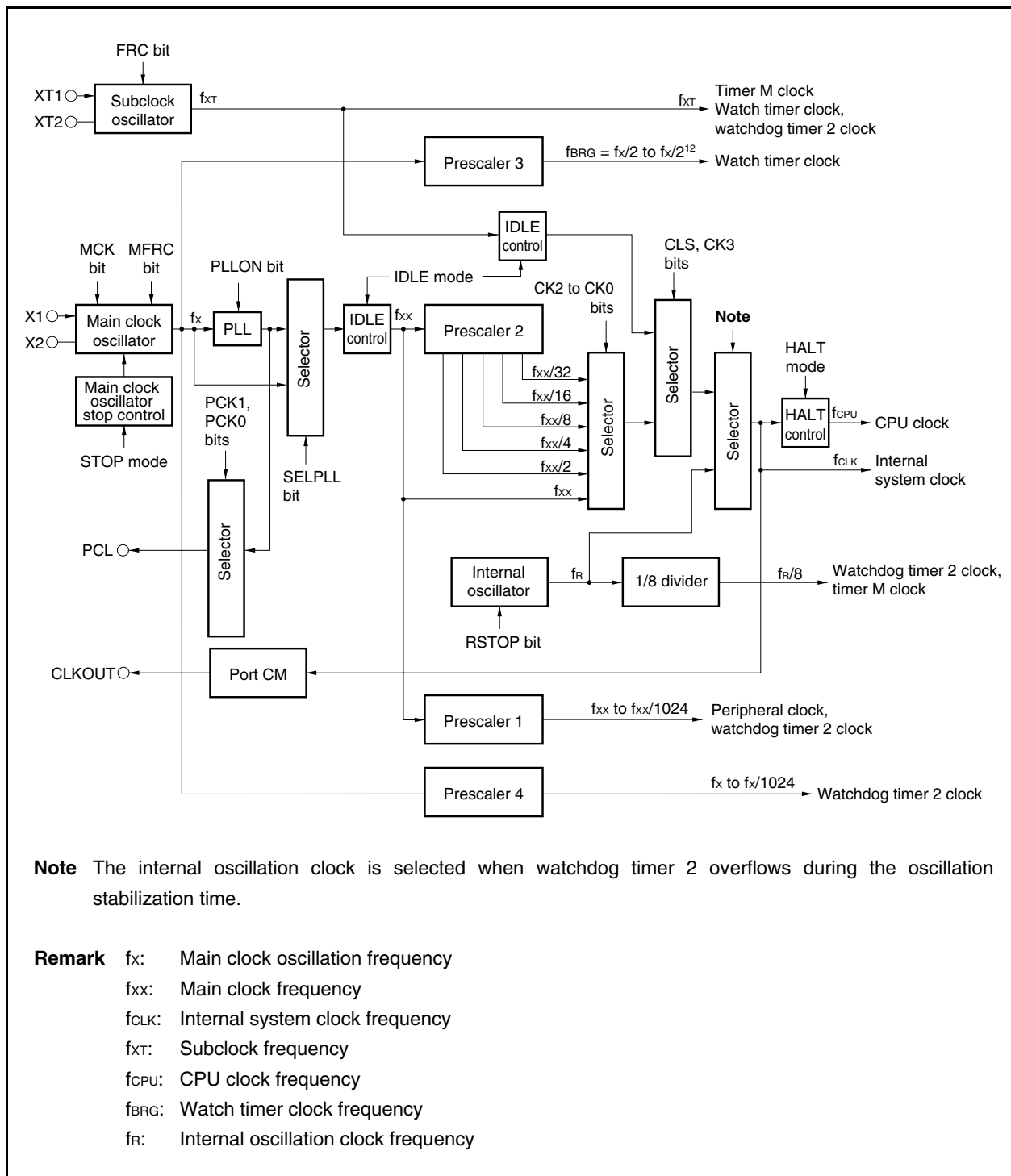
The following clock generation functions are available.

- Main clock oscillator
  - In clock-through mode  
 $f_x = 4$  to 5 MHz ( $f_{xx} = 4$  to 5 MHz)
  - In PLL mode  
 $f_x = 4$  to 5 MHz ( $f_{xx} = 16$  to 20 MHz)
- Subclock oscillator (crystal oscillation or RC oscillation selectable by option byte function)
  - 32.768 kHz (crystal resonator)
  - 20 kHz (RC oscillator)
- Multiply ( $\times 4$ ) function by PLL (Phase Locked Loop)
  - Clock-through mode/PLL mode selectable
- Internal oscillator
  - $f_R = 200$  kHz (TYP.)
- Internal system clock generation
  - 7 steps ( $f_{xx}$ ,  $f_{xx}/2$ ,  $f_{xx}/4$ ,  $f_{xx}/8$ ,  $f_{xx}/16$ ,  $f_{xx}/32$ ,  $f_{XT}$ )
- Peripheral clock generation
- Clock output function
- Programmable clock (PCL) output function

**Remark**  $f_x$ : Main clock oscillation frequency  
 $f_{xx}$ : Main clock frequency  
 $f_R$ : Internal oscillation clock frequency  
 $f_{XT}$ : Subclock frequency

5.2 Configuration

Figure 5-1. Clock Generator



**(1) Main clock oscillator**

The main resonator oscillates the following frequencies ( $f_x$ ).

- In clock-through mode  
 $f_x = 4$  to 5 MHz
- In PLL mode  
 $f_x = 4$  to 5 MHz ( $f_{xx} = 16$  to 20 MHz)

**(2) Subclock oscillator**

The sub-resonator oscillates a frequency ( $f_{xT}$ ) of 32.768 kHz or 20 kHz.

**(3) Main clock oscillator stop control**

This circuit generates a control signal that stops oscillation of the main clock oscillator.

Oscillation of the main clock oscillator is stopped in the STOP mode or when the PCC.MCK bit = 1 (valid only when the PCC.CLS bit = 1).

**(4) Internal oscillator**

Oscillates a frequency ( $f_R$ ) of 200 kHz (TYP.).

**(5) Prescaler 1**

This circuit generates the clock ( $f_{xx}$  to  $f_{xx}/1,024$ ) to be supplied to the following on-chip peripheral functions: TMP0 to TMP3, TMQ0, TMQ1, TMM0, CSIB0, CSIB1, UARTA0 to UARTA2, ADC, and WDT2

**(6) Prescaler 2**

This circuit divides the main clock ( $f_{xx}$ ).

The clock generated by prescaler 2 ( $f_{xx}$  to  $f_{xx}/32$ ) is supplied to the selector that generates the CPU clock ( $f_{CPU}$ ) and internal system clock ( $f_{CLK}$ ).

$f_{CLK}$  is the clock supplied to the INTC, ROM, and RAM blocks, and can be output from the CLKOUT pin.

**(7) Prescaler 3**

This circuit divides the clock generated by the main clock oscillator ( $f_x$ ) to a specific frequency (32.768 kHz) and supplies that clock to the watch timer block.

For details, see **CHAPTER 9 WATCH TIMER FUNCTIONS**.

**(8) Prescaler 4**

This circuit generates the clock ( $f_x$  to  $f_x/1,024$ ) to be supplied to on-chip peripheral function.

The block to be supplied is WDT2 only.

**(9) PLL**

This circuit multiplies the clock generated by the main clock oscillator ( $f_x$ ) by 4.

It operates in two modes: clock-through mode in which  $f_x$  is output as is, and PLL mode in which a multiplied clock is output. These modes can be selected by using the PLLCTL.SELPLL bit.

Whether the clock is multiplied by 4 is selected by the CKC.CKDIV0 bit, and PLL is started or stopped by the PLLCTL.PLLON bit.



### 5.3 Registers

#### (1) Processor clock control register (PCC)

The PCC register is a special register. Data can be written to this register only in combination of specific sequences (see **3.4.7 Special registers**).

This register can be read or written in 8-bit or 1-bit units.

Reset sets this register to 03H.

After reset: 03H R/W Address: FFFF828H

	7	6	5	4	3	2	1	0
PCC	FRC	MCK	MFRC	CLS <sup>Note</sup>	CK3	CK2	CK1	CK0
FRC	Use of subclock on-chip feedback resistor							
0	Used							
1	Not used							
MCK	Main clock oscillator control							
0	Oscillation enabled							
1	Oscillation stopped							
<ul style="list-style-type: none"> <li>• Even if the MCK bit is set (1) while the system is operating with the main clock as the CPU clock, the operation of the main clock does not stop. It stops after the CPU clock has been changed to the subclock.</li> <li>• Before setting the MCK bit from 0 to 1, stop the on-chip peripheral functions operating with the main clock.</li> <li>• When the main clock is stopped and the device is operating with the subclock, clear (0) the MCK bit and secure the oscillation stabilization time by software before switching the CPU clock to the main clock or operating the on-chip peripheral functions.</li> </ul>								
MFRC	Use of main clock on-chip feedback resistor							
0	Used							
1	Not used							
CLS <sup>Note</sup>	Status of CPU clock ( $f_{CPU}$ )							
0	Main clock operation							
1	Subclock operation							
CK3	CK2	CK1	CK0	Clock selection ( $f_{CLK}/f_{CPU}$ )				
0	0	0	0	$f_{xx}$				
0	0	0	1	$f_{xx}/2$				
0	0	1	0	$f_{xx}/4$				
0	0	1	1	$f_{xx}/8$				
0	1	0	0	$f_{xx}/16$				
0	1	0	1	$f_{xx}/32$				
0	1	1	×	Setting prohibited				
1	×	×	×	$f_{XT}$				

**Note** The CLS bit is a read-only bit.

- Cautions**
1. Do not change the CPU clock (by using the CK3 to CK0 bits) while CLKOUT is being output.
  2. Use a bit manipulation instruction to manipulate the CK3 bit. When using an 8-bit manipulation instruction, do not change the set values of the CK2 to CK0 bits.

**Remark** ×: don't care

**(a) Example of setting main clock operation → subclock operation**

- <1> CK3 bit ← 1: Use of a bit manipulation instruction is recommended. Do not change the CK2 to CK0 bits.
- <2> Subclock operation: Read the CLS bit to check if subclock operation has started. It takes the following time after the CK3 bit is set until subclock operation is started.  
Max.:  $1/f_{XT}$  (1/subclock frequency)
- <3> MCK bit ← 1: Set the MCK bit to 1 only when stopping the main clock.

**Cautions 1. When stopping the main clock, stop the PLL. Also stop the operations of the on-chip peripheral functions operating with the main clock.**

**2. If the following conditions are not satisfied, change the CK2 to CK0 bits so that the conditions are satisfied, then change to the subclock operation mode.**

**Internal system clock ( $f_{CLK}$ ) > Subclock ( $f_{XT}$ : 32.768 kHz) × 4**

**Remark** Internal system clock ( $f_{CLK}$ ): Clock generated from the main clock ( $f_{XX}$ ) by setting bits CK2 to CK0

[Description example]

```

_DMA_DISABLE:
    clr1      0, DCHCn[r0]      -- DMA operation disabled. n = 0 to 3
<1> _SET_SUB_RUN :
    st.b      r0, PRCMD[r0]
    set1      3, PCC[r0]      -- CK3 bit ← 1
<2> _CHECK_CLS :
    tst1      4, PCC[r0]      -- Wait until subclock operation starts.
    bz        _CHECK_CLS
<3> _STOP_MAIN_CLOCK :
    st.b      r0, PRCMD[r0]
    set1      6, PCC[r0]      -- MCK bit ← 1, main clock is stopped.
_DMA_ENABLE:
    set1      0, DCHCn[r0]      -- DMA operation enabled. n = 0 to 3

```

**Remark** The description above is simply an example. Note that in <2> above, the CLS bit is read in a closed loop.

**(b) Example of setting subclock operation → main clock operation**

- <1> MCK bit ← 0: Main clock starts oscillating
- <2> Insert waits by the program and wait until the oscillation stabilization time of the main clock elapses.
- <3> CK3 bit ← 0: Use of a bit manipulation instruction is recommended. Do not change the CK2 to CK0 bits.
- <4> Main clock operation: It takes the following time after the CK3 bit is set until main clock operation is started.  
 Max.:  $1/f_{XT}$  (1/subclock frequency)  
 Therefore, insert one NOP instruction immediately after setting the CK3 bit to 0 or read the CLS bit to check if main clock operation has started.

**Caution** Enable operation of the on-chip peripheral functions operating with the main clock only after the oscillation of the main clock stabilizes. If their operations are enabled before the lapse of the oscillation stabilization time, a malfunction may occur.

[Description example]

```

_DMA_DISABLE:
  clr1      0, DCHCn[r0]          -- DMA operation disabled. n = 0 to 3
<1> _START_MAIN_OSC :
  st.b      r0, PRCMD[r0]        -- Release of protection of special registers
  clr1      6, PCC[r0]           -- Main clock starts oscillating.
<2> movea    0x55, r0, r11        -- Wait for oscillation stabilization time.
  _WAIT_OST :
  nop
  nop
  nop
  addi      -1, r11, r11
  cmp       r0, r11
  bne              _WAIT_OST
<3> st.b      r0, PRCMD[r0]
  clr1      3, PCC[r0]           -- CK3 ← 0
<4> _CHECK_CLS :
  tst1      4, PCC[r0]          -- Wait until main clock operation starts.
  bnz              _CHECK_CLS
_DMA_ENABLE:
  set1      0, DCHCn[r0]        -- DMA operation enabled. n = 0 to 3

```

**Remark** The description above is simply an example. Note that in <4> above, the CLS bit is read in a closed loop.

**(2) Internal oscillation mode register (RCM)**

The RCM register is an 8-bit register that sets the operation mode of the internal oscillator.

This register can be read or written in 8-bit or 1-bit units.

Reset sets this register to 00H.

After reset: 00H    R/W    Address: FFFFF80CH

	7	6	5	4	3	2	1	0
RCM	0	0	0	0	0	0	0	RSTOP

RSTOP	Oscillation/stop of internal oscillator
0	Internal oscillator oscillation
1	Internal oscillator stopped

**Cautions** 1. The settings of the RCM register are valid by setting the option byte.

For details, see CHAPTER 24 OPTION BYTE FUNCTION.

2. The internal oscillator cannot be stopped while the CPU is operating on the internal oscillation clock (CCLS.CCLSF bit = 1). Do not set the RSTOP bit to 1.

3. The internal oscillator oscillates if the CCLS.CCLSF bit is set to 1 (when WDT overflow occurs during oscillation stabilization) even when the RSTOP bit is set to 1. At this time, the RSTOP bit remains being set to 1.

**(3) CPU operation clock status register (CCLS)**

The CCLS register indicates the status of the CPU operation clock.

This register is read-only, in 8-bit or 1-bit units.

Reset sets this register to 00H.

After reset: 00H<sup>Note</sup>    R    Address: FFFFF82EH

	7	6	5	4	3	2	1	0
CCLS	0	0	0	0	0	0	0	CCLSF

CCLSF	CPU operation clock status
0	Operating on main clock (f <sub>x</sub> ) or subclock (f <sub>xT</sub> ).
1	Operating on internal oscillation clock (f <sub>R</sub> ).

**Note** If WDT overflow occurs during oscillation stabilization after a reset is released, the CCLSF bit is set to 1 and the reset value is 01H.

## 5.4 Operation

### 5.4.1 Operation of each clock

The following table shows the operation status of each clock.

**Table 5-1. Operation Status of Each Clock**

Register Setting and Operation Status  Target Clock	PCC Register								
	CLK Bit = 0, MCK Bit = 0					CLS Bit = 1, MCK Bit = 0		CLS Bit = 1, MCK Bit = 1	
	During Reset	During Oscillation Stabilization Time Count	HALT Mode	IDLE1, IDLE2 Mode	STOP Mode	Subclock Mode	Sub-IDLE Mode	Subclock Mode	Sub-IDLE Mode
Main clock oscillator (fx)	×	○	○	○	×	○	○	×	×
Subclock oscillator (fxT)	○	○	○	○	○	○	○	○	○
CPU clock (f <sub>CPU</sub> )	×	×	×	×	×	○	×	○	×
Internal system clock (f <sub>CLK</sub> )	×	×	○	×	×	○	×	○	×
Main clock (in PLL mode, f <sub>xx</sub> )	×	<b>Note 1</b>	○	<b>Note 2</b>	×	○	○	×	×
Peripheral clock (f <sub>xx</sub> to f <sub>xx</sub> /1,024)	×	×	○	×	×	○	×	×	×
WT clock (main)	×	×	○	○	×	○	○	×	×
WT clock (sub)	○	○	○	○	○	○	○	○	○
WDT2 clock (internal oscillation)	×	○	○	○	○	○	○	○	○
WDT2 clock (main)	×	×	○	×	×	○	×	×	×

**Notes** 1. Oscillation starts after time 1/2 of the oscillation stabilization time, and the stable clock is supplied after lockup time.

2. Operable in the IDLE1 mode. Stopped in the IDLE2 mode.

**Remark** ○: Operable

×: Stopped

### 5.4.2 Clock output function

The clock output function is used to output the internal system clock (f<sub>CLK</sub>) from the CLKOUT pin.

The internal system clock (f<sub>CLK</sub>) is selected by using the PCC.CK3 to PCC.CK0 bits.

The CLKOUT pin functions alternately as the PCM1 pin and functions as a clock output pin if so specified by the control register of port CM.

The status of the CLKOUT pin is the same as the internal system clock in Table 5-1 and the pin can output the clock when it is in the operable status. It outputs a low level in the stopped status. However, the CLKOUT pin is in the port mode (PCM1 pin: input mode) after reset and until it is set in the output mode. Therefore, the status of the pin is Hi-Z.

## 5.5 PLL Function

### 5.5.1 Overview

In the V850ES/HG2, an operating clock that is 4 times higher than the oscillation frequency output by the PLL function or the clock-through mode can be selected as the operating clock of the CPU and on-chip peripheral functions.

When PLL function is used: Input clock = 4 to 5 MHz (output: 16 to 20 MHz)

Clock-through mode: Input clock = 4 to 5 MHz (output: 4 to 5 MHz)

### 5.5.2 Registers

#### (1) PLL control register (PLLCTL)

The PLLCTL register is an 8-bit register that controls the PLL function.

This register can be read or written in 8-bit or 1-bit units.

Reset sets this register to 01H.

After reset: 01H		R/W		Address: FFFFF82CH				
	7	6	5	4	3	2	1	0
PLLCTL	0	0	0	0	0	0	SELPLL	PLLON
PLLON	PLL operation stop register							
0	PLL stopped							
1	PLL operating (After PLL operation starts, a lockup time is required for frequency stabilization)							
SELPLL	CPU operation clock selection register							
0	Clock-through mode							
1	PLL mode							

**Cautions** 1. When the PLLON bit is cleared to 0, the SELPLL bit is automatically cleared to 0 (clock-through mode).

2. The SELPLL bit can be set to 1 only when the PLL clock frequency is stabilized. If not (unlocked), "0" is written to the SELPLL bit if data is written to it.

**(2) Lock register (LOCKR)**

Phase lock occurs at a given frequency following power application or immediately after the STOP mode is released, and the time required for stabilization is the lockup time (frequency stabilization time). This state until stabilization is called the lockup status, and the stabilized state is called the locked status.

The LOCKR register includes a LOCK bit that reflects the PLL frequency stabilization status.

This register is read-only, in 8-bit or 1-bit units.

Reset sets this register to 00H.

After reset: 00H    R    Address: FFFF824H

	7	6	5	4	3	2	1	0
LOCKR	0	0	0	0	0	0	0	LOCK

LOCK	PLL lock status check
0	Locked status
1	Unlocked status

**Caution** The LOCK register does not reflect the lock status of the PLL in real time. The set/clear conditions are as follows.

**[Set conditions]**

- Upon system reset<sup>Note</sup>
- In IDLE2 or STOP mode
- Upon setting of PLL stop (clearing of PLLCTL.PLLON bit to 0)
- Upon stopping main clock and using CPU with subclock (setting of PCC.CK3 bit to 1 and setting of PCC.MCK bit to 1)

**Note** This register is set to 01H by reset and cleared to 00H after the reset has been released and the oscillation stabilization time has elapsed.

**[Clear conditions]**

- Upon overflow of oscillation stabilization time following reset release (OSTS register default time (see 17.2 (3) Oscillation stabilization time select register (OSTS)))
- Upon oscillation stabilization timer overflow (time set by OSTS register) following STOP mode release, when the STOP mode was set in the PLL operating status
- Upon PLL lockup time timer overflow (time set by PLLS register) when the PLLCTL.PLLON bit is changed from 0 to 1
- After the setup time inserted upon release of the IDLE2 mode is released (time set by the OSTS register) when the IDLE2 mode is set during PLL operation.



**(3) PLL lockup time specification register (PLLS)**

The PLLS register is an 8-bit register used to select the PLL lockup time when the PLLCTL.PLLON bit is changed from 0 to 1.

This register can be read or written in 8-bit units.

Reset sets this register to 03H.

After reset: 03H    R/W    Address: FFFFF6C1H

	7	6	5	4	3	2	1	0
PLLS	0	0	0	0	0	0	PLLS1	PLLS0

PLLS1	PLLS0	Selection of PLL lockup time
0	0	$2^{10}/f_x$
0	1	$2^{11}/f_x$
1	0	$2^{12}/f_x$
1	1	$2^{13}/f_x$ (default value)

- Cautions**
1. Set so that the lockup time is 800  $\mu$ s or longer.
  2. Do not change the PLLS register setting during the lockup period.

**(4) Programmable clock mode register (PCLM)**

The PCLM register is an 8-bit register used to control the PCL output.

This register can be read or written in 8-bit or 1-bit units.

	7	6	5	4	3	2	1	0
PCLM	0	0	0	PCLE	0	0	PCK1	PCK0

PCLE	Selection of PCL pin output operation
0	PCL pin output disabled (PCL pin is fixed to low level)
1	PCL pin output enabled

**Caution** Set the port-related control registers (PM, PMC, PFC, and PFCE registers, etc.) first, and then set the PCLE bit to 1.

PCK1	PCK0	Selection of PLL output clock
0	0	$f_{xx}/2$
0	1	$f_{xx}/4$
1	0	$f_{xx}/8$
1	1	$f_{xx}/16$

**Caution** Set the PCLE bit to 1 only during PLL operation. To stop the PLL, clear the PCLE bit to 0.

### 5.5.3 Usage

#### (1) When PLL is used

- After the reset signal has been released, the PLL operates (PLLCTL.PLLON bit = 1), but because the default mode is the clock-through mode (PLLCTL.SELPLL bit = 0), select the PLL mode (SELPLL bit = 1).
- To enable PLL operation, first set the PLLON bit to 1, and then set the SELPLL bit to 1 after the LOCKR.LOCK bit = 0. To stop the PLL, first select the clock-through mode (SELPLL bit = 0), wait for 8 clocks or more, and then stop the PLL (PLLON bit = 0).
- The PLL stops during transition to IDLE2 or STOP mode regardless of the setting and is restored from IDLE2 or STOP mode to the status before transition. The time required for restoration is as follows.
  - (a) When transiting to IDLE2 or STOP mode from the clock through mode
    - STOP mode: Set the OSTS register so that the oscillation stabilization time is 1 ms (min.) or longer.
    - IDLE2 mode: Set the OSTS register so that the setup time is 350  $\mu$ s (min.) or longer.
  - (b) When shifting to the IDLE 2 or STOP mode while remaining in the PLL operation mode
    - STOP mode: Set the OSTS register so that the oscillation stabilization time is 1 ms (min.) or longer.
    - IDLE2 mode: Set the OSTS register so that the setup time is 800  $\mu$ s (min.) or longer.

When shifting to the IDLE1 mode, the PLL does not stop. Stop the PLL if necessary.

#### (2) When PLL is not used

- The clock-through mode (SELPLL bit = 0) is selected after the reset signal has been released, but the PLL is operating (PLLON bit = 1) and must therefore be stopped (PLLON bit = 0).

## CHAPTER 6 16-BIT TIMER/EVENT COUNTER P (TMP)

Timer P (TMP) is a 16-bit timer/event counter.

The V850ES/HG2 has four timer/event counter channels, TMP0 to TMP3.

### 6.1 Overview

An outline of TMP<sub>n</sub> is shown below.

- Clock selection: 8 ways
- Capture/trigger input pins: 2
- External event count input pins: 1
- External trigger input pins: 1
- Timer/counters: 1
- Capture/compare registers: 2
- Capture/compare match interrupt request signals: 2
- Timer output pins: 2

**Remark** n = 0 to 3

### 6.2 Functions

TMP<sub>n</sub> has the following functions.

- Interval timer
- External event counter
- External trigger pulse output
- One-shot pulse output
- PWM output
- Free-running timer
- Pulse width measurement

**Remark** n = 0 to 3

### 6.3 Configuration

TMPn includes the following hardware.

**Table 6-1. Configuration of TMPn**

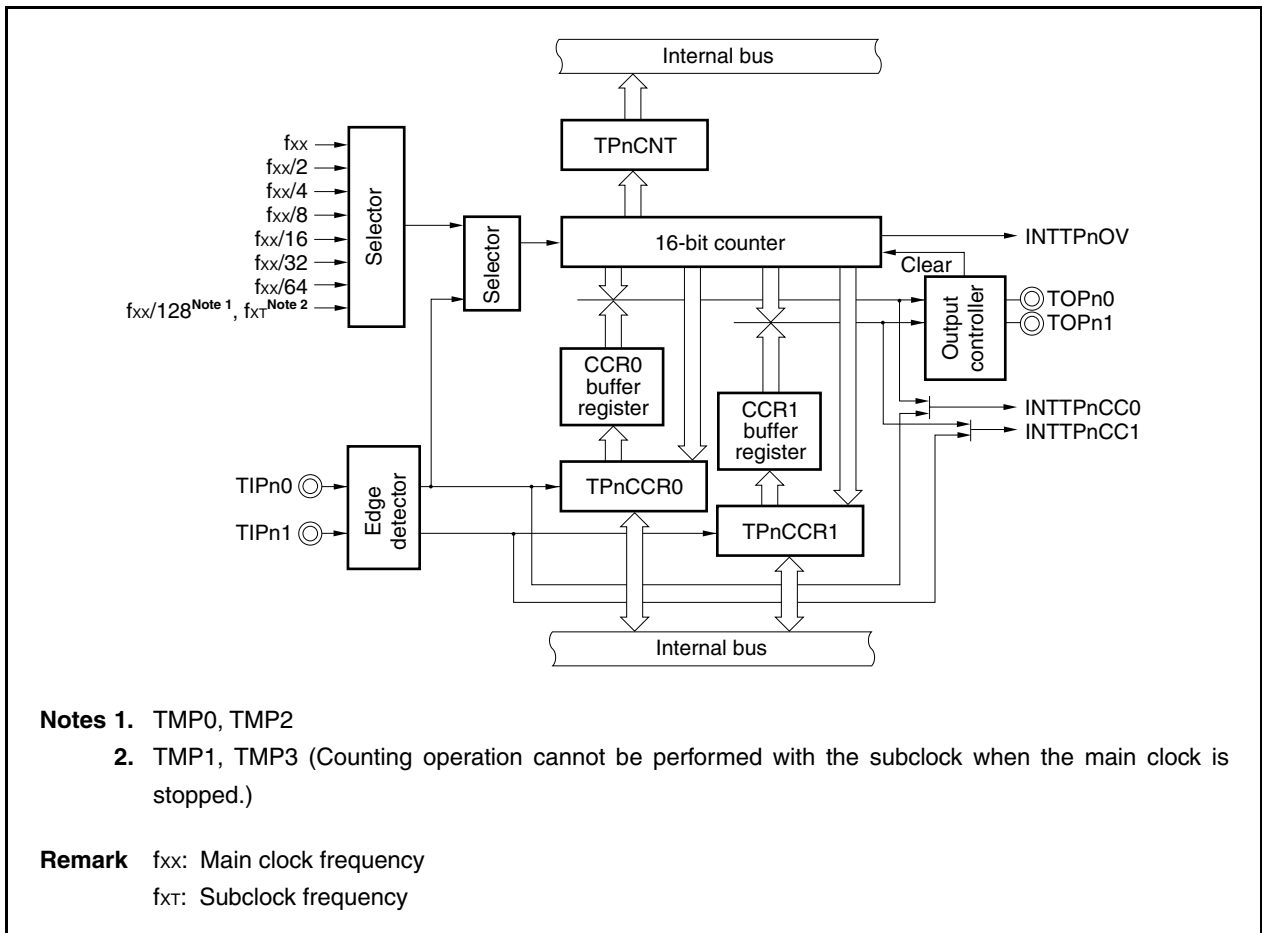
Item	Configuration
Timer register	16-bit counter
Registers	TMPn capture/compare registers 0, 1 (TPnCCR0, TPnCCR1) TMPn counter read buffer register (TPnCNT) CCR0, CCR1 buffer registers
Timer inputs	2 (TIPn0 <sup>Note 1</sup> , TIPn1 pins)
Timer outputs	2 (TOPn0, TOPn1 pins)
Control registers <sup>Note 2</sup>	TMPn control registers 0, 1 (TPnCTL0, TPnCTL1) TMPn I/O control registers 0 to 2 (TPnIOC0 to TPnIOC2) TMPn option register 0 (TPnOPT0)

**Notes 1.** The TIPn0 pin functions alternately as a capture trigger input signal, external event count input signal, and external trigger input signal.

**2.** When using the functions of the TIPn0, TIPn1, TOPn0, and TOPn1 pins, see **Table 4-19 Using Port Pin as Alternate-Function Pin.**

**Remark** n = 0 to 3

**Figure 6-1. Block Diagram of TMPn**



**Notes 1.** TMP0, TMP2

**2.** TMP1, TMP3 (Counting operation cannot be performed with the subclock when the main clock is stopped.)

**Remark** f<sub>xx</sub>: Main clock frequency  
f<sub>xT</sub>: Subclock frequency

**(1) 16-bit counter**

This 16-bit counter can count internal clocks or external events.

The count value of this counter can be read by using the TPnCNT register.

When the TPnCTL0.TPnCE bit = 0, the value of the 16-bit counter is FFFFH. If the TPnCNT register is read at this time, 0000H is read.

Reset sets the TPnCE bit to 0. Therefore, the 16-bit counter is set to FFFFH.

**(2) CCR0 buffer register**

This is a 16-bit compare register that compares the count value of the 16-bit counter.

When the TPnCCR0 register is used as a compare register, the value written to the TPnCCR0 register is transferred to the CCR0 buffer register. When the count value of the 16-bit counter matches the value of the CCR0 buffer register, a compare match interrupt request signal (INTTPnCC0) is generated.

The CCR0 buffer register cannot be read or written directly.

The CCR0 buffer register is cleared to 0000H after reset, as the TPnCCR0 register is cleared to 0000H.

**(3) CCR1 buffer register**

This is a 16-bit compare register that compares the count value of the 16-bit counter.

When the TPnCCR1 register is used as a compare register, the value written to the TPnCCR1 register is transferred to the CCR1 buffer register. When the count value of the 16-bit counter matches the value of the CCR1 buffer register, a compare match interrupt request signal (INTTPnCC1) is generated.

The CCR1 buffer register cannot be read or written directly.

The CCR1 buffer register is cleared to 0000H after reset, as the TPnCCR1 register is cleared to 0000H.

**(4) Edge detector**

This circuit detects the valid edges input to the TIPn0 and TIPn1 pins. No edge, rising edge, falling edge, or both the rising and falling edges can be selected as the valid edge by using the TPnIOC1 and TPnIOC2 registers.

**(5) Output controller**

This circuit controls the output of the TOPn0 and TOPn1 pins. The output controller is controlled by the TPnIOC0 register.

**(6) Selector**

This selector selects the count clock for the 16-bit counter. Eight types of internal clocks or an external event can be selected as the count clock.

## 6.4 Registers

The registers that control TMPn are as follows.

- TMPn control register 0 (TPnCTL0)
- TMPn control register 1 (TPnCTL1)
- TMPn I/O control register 0 (TPnIOC0)
- TMPn I/O control register 1 (TPnIOC1)
- TMPn I/O control register 2 (TPnIOC2)
- TMPn option register 0 (TPnOPT0)
- TMPn capture/compare register 0 (TPnCCR0)
- TMPn capture/compare register 1 (TPnCCR1)
- TMPn counter read buffer register (TPnCNT)

**Remarks 1.** When using the functions of the TIPn0, TIPn1, TOPn0, and TOPn1 pins, see **Table 4-19 Using Port Pin as Alternate-Function Pin.**

**2.** n = 0 to 3

**(1) TMPn control register 0 (TPnCTL0)**

The TPnCTL0 register is an 8-bit register that controls the operation of TMPn.

This register can be read or written in 8-bit or 1-bit units.

Reset sets this register to 00H.

The same value can always be written to the TPnCTL0 register by software.

After reset: 00H    R/W    Address: TP0CTL0 FFFFF590H, TP1CTL0 FFFFF5A0H,  
TP2CTL0 FFFFF5B0H, TP3CTL0 FFFFF5C0H

	7	6	5	4	3	2	1	0
TPnCTL0	TPnCE	0	0	0	0	TPnCKS2	TPnCKS1	TPnCKS0

(n = 0 to 3)

TPnCE	TMPn operation control
0	TMPn operation disabled (TMPn reset asynchronously <sup>Note 1</sup> ).
1	TMPn operation enabled. TMPn operation started.

TPnCKS2	TPnCKS1	TPnCKS0	Internal count clock selection	
			n = 0, 2	n = 1, 3
0	0	0	f <sub>xx</sub>	
0	0	1	f <sub>xx</sub> /2	
0	1	0	f <sub>xx</sub> /4	
0	1	1	f <sub>xx</sub> /8	
1	0	0	f <sub>xx</sub> /16	
1	0	1	f <sub>xx</sub> /32	
1	1	0	f <sub>xx</sub> /64	
1	1	1	f <sub>xx</sub> /128	f <sub>XT</sub> <sup>Note 2</sup>

**Notes** 1. TPnOPT0.TPnOVF bit, 16-bit counter, timer output (TOPn0, TOPn1 pins)

2. Counting operation cannot be performed with the subclock when the main clock is stopped.

**Cautions** 1. Set the TPnCKS2 to TPnCKS0 bits when the TPnCE bit = 0.

When the value of the TPnCE bit is changed from 0 to 1, the TPnCKS2 to TPnCKS0 bits can be set simultaneously.

2. Be sure to clear bits 3 to 6 to "0".

**Remark** f<sub>xx</sub>: Main clock frequency

f<sub>XT</sub>: Subclock frequency



**(2) TMPn control register 1 (TPnCTL1)**

The TPnCTL1 register is an 8-bit register that controls the operation of TMPn.

This register can be read or written in 8-bit or 1-bit units.

Reset sets this register to 00H.

(1/2)

After reset: 00H R/W Address: TP0CTL1 FFFFF591H, TP1CTL1 FFFFF5A1H,  
TP2CTL1 FFFFF5B1H, TP3CTL1 FFFFF5C1H

	7	6	5	4	3	2	1	0
TPnCTL1 (n = 0 to 3)	TPnSYE	TPnEST	TPnEEE	0	0	TPnMD2	TPnMD1	TPnMD0

TPnSYE	Tuned operation mode enable control										
0	Independent operation mode (asynchronous operation mode)										
1	Tuned operation mode (specification of slave operation) In this mode, timer P can operate in synchronization with a master timer.										
	<table border="1"> <tr> <td>Master timer</td> <td colspan="2">Slave timer</td> </tr> <tr> <td>TMP0</td> <td>TMP1</td> <td>–</td> </tr> <tr> <td>TMP2</td> <td>TMP3</td> <td>TMQ0</td> </tr> </table>		Master timer	Slave timer		TMP0	TMP1	–	TMP2	TMP3	TMQ0
Master timer	Slave timer										
TMP0	TMP1	–									
TMP2	TMP3	TMQ0									
	For the tuned operation mode, see <b>6.6 Timer Tuned Operation Function</b> .										
	<b>Caution</b> Be sure to clear the TP0SYE and TP2SYE bits to 0.										

TPnEST	Software trigger control
0	–
1	Generate a valid signal for external trigger input. <ul style="list-style-type: none"> <li>• In one-shot pulse output mode: A one-shot pulse is output with writing 1 to the TPnEST bit as the trigger.</li> <li>• In external trigger pulse output mode: A PWM waveform is output with writing 1 to the TPnEST bit as the trigger.</li> </ul>

**Cautions** 1. The TPnEST bit is valid only in the external trigger pulse output mode or one-shot pulse output mode. In any other mode, writing 1 to this bit is ignored.

2. Be sure to clear bits 3 and 4 to “0”.

TPnEEE	Count clock selection
0	Disable operation with external event count input. (Perform counting with the count clock selected by the TPnCTL0.TPnCK0 to TPnCK2 bits.)
1	Enable operation with external event count input. (Perform counting at the valid edge of the external event count input signal.)

The TPnEEE bit selects whether counting is performed with the internal count clock or the valid edge of the external event count input.

TPnMD2	TPnMD1	TPnMD0	Timer mode selection
0	0	0	Interval timer mode
0	0	1	External event count mode
0	1	0	External trigger pulse output mode
0	1	1	One-shot pulse output mode
1	0	0	PWM output mode
1	0	1	Free-running timer mode
1	1	0	Pulse width measurement mode
1	1	1	Setting prohibited

- Cautions**
- External event count input is selected in the external event count mode regardless of the value of the TPnEEE bit.
  - Set the TPnEEE and TPnMD2 to TPnMD0 bits when the TPnCTL0.TPnCE bit = 0. (The same value can be written when the TPnCE bit = 1.) The operation is not guaranteed when rewriting is performed with the TPnCE bit = 1. If rewriting was mistakenly performed, clear the TPnCE bit to 0 and then set the bits again.

**(3) TMPn I/O control register 0 (TPnIOC0)**

The TPnIOC0 register is an 8-bit register that controls the timer output (TOPn0, TOPn1 pins).

This register can be read or written in 8-bit or 1-bit units.

Reset sets this register to 00H.

After reset: 00H    R/W    Address: TP0IOC0 FFFFF592H, TP1IOC0 FFFFF5A2H,  
TP2IOC0 FFFFF5B2H, TP3IOC0 FFFFF5C2H

	7	6	5	4	3	2	1	0
TPnIOC0 (n = 0 to 3)	0	0	0	0	TPnOL1	TPnOE1	TPnOL0	TPnOE0

TPnOL1	TOPn1 pin output level setting
0	TOPn1 pin output inversion disabled
1	TOPn1 pin output inversion enabled

TPnOE1	TOPn1 pin output setting
0	Timer output disabled • When TPnOL1 bit = 0: Low level is output from the TOPn1 pin • When TPnOL1 bit = 1: High level is output from the TOPn1 pin
1	Timer output enabled (a square wave is output from the TOPn1 pin).

TPnOL0	TOPn0 pin output level setting
0	TOPn0 pin output inversion disabled
1	TOPn0 pin output inversion enabled

TPnOE0	TOPn0 pin output setting
0	Timer output disabled • When TPnOL0 bit = 0: Low level is output from the TOPn0 pin • When TPnOL0 bit = 1: High level is output from the TOPn0 pin
1	Timer output enabled (a square wave is output from the TOPn0 pin).

- Cautions**
1. Rewrite the TPnOL1, TPnOE1, TPnOL0, and TPnOE0 bits when the TPnCTL0.TPnCE bit = 0. (The same value can be written when the TPnCE bit = 1.) If rewriting was mistakenly performed, clear the TPnCE bit to 0 and then set the bits again.
  2. Even if the TPnOLm bit is manipulated when the TPnCE and TPnOEm bits are 0, the TOPnm pin output level varies (m = 0, 1).

**(4) TMPn I/O control register 1 (TPnIOC1)**

The TPnIOC1 register is an 8-bit register that controls the valid edge of the capture trigger input signals (TIPn0, TIPn1 pins).

This register can be read or written in 8-bit or 1-bit units.

Reset sets this register to 00H.

After reset: 00H    R/W    Address:    TP0IOC1 FFFFF593H, TP1IOC1 FFFFF5A3H,  
TP2IOC1 FFFFF5B3H, TP3IOC1 FFFFF5C3H

	7	6	5	4	3	2	1	0
TPnIOC1 (n = 0 to 3)	0	0	0	0	TPnIS3	TPnIS2	TPnIS1	TPnIS0

TPnIS3	TPnIS2	Capture trigger input signal (TIPn1 pin) valid edge setting
0	0	No edge detection (capture operation invalid)
0	1	Detection of rising edge
1	0	Detection of falling edge
1	1	Detection of both edges

TPnIS1	TPnIS0	Capture trigger input signal (TIPn0 pin) valid edge setting
0	0	No edge detection (capture operation invalid)
0	1	Detection of rising edge
1	0	Detection of falling edge
1	1	Detection of both edges

- Cautions**
1. Rewrite the TPnIS3 to TPnIS0 bits when the TPnCTL0.TPnCE bit = 0. (The same value can be written when the TPnCE bit = 1.) If rewriting was mistakenly performed, clear the TPnCE bit to 0 and then set the bits again.
  2. The TPnIS3 to TPnIS0 bits are valid only in the free-running timer mode and the pulse width measurement mode. In all other modes, a capture operation is not possible.

**(5) TMPn I/O control register 2 (TPnIOC2)**

The TPnIOC2 register is an 8-bit register that controls the valid edge of the external event count input signal (TIPn0 pin) and external trigger input signal (TIPn0 pin).

This register can be read or written in 8-bit or 1-bit units.

Reset sets this register to 00H.

After reset: 00H    R/W    Address:    TP0IOC2 FFFFF594H, TP1IOC2 FFFFF5A4H,  
TP2IOC2 FFFFF5B4H, TP3IOC2 FFFFF5C4H

	7	6	5	4	3	2	1	0
TPnIOC2 (n = 0 to 3)	0	0	0	0	TPnEES1	TPnEES0	TPnETS1	TPnETS0

TPnEES1	TPnEES0	External event count input signal (TIPn0 pin) valid edge setting
0	0	No edge detection (external event count invalid)
0	1	Detection of rising edge
1	0	Detection of falling edge
1	1	Detection of both edges

TPnETS1	TPnETS0	External trigger input signal (TIPn0 pin) valid edge setting
0	0	No edge detection (external trigger invalid)
0	1	Detection of rising edge
1	0	Detection of falling edge
1	1	Detection of both edges

- Cautions**
1. Rewrite the TPnEES1, TPnEES0, TPnETS1, and TPnETS0 bits when the TPnCTL0.TPnCE bit = 0. (The same value can be written when the TPnCE bit = 1.) If rewriting was mistakenly performed, clear the TPnCE bit to 0 and then set the bits again.
  2. The TPnEES1 and TPnEES0 bits are valid only when the TPnCTL1.TPnEEE bit = 1 or when the external event count mode (TPnCTL1.TPnMD2 to TPnCTL1.TPnMD0 bits = 001) has been set.
  3. The TPnETS1 and TPnETS0 bits are valid only when the external trigger pulse output mode (TPnCTL1.TPnMD2 to TPnCTL1.TPnMD0 bits = 010) or the one-shot pulse output mode (TPnCTL1.TPnMD2 to TPnCTL1.TPnMD0 = 011) is set.

**(6) TMPn option register 0 (TPnOPT0)**

The TPnOPT0 register is an 8-bit register used to set the capture/compare operation and detect an overflow.

This register can be read or written in 8-bit or 1-bit units.

Reset sets this register to 00H.

After reset: 00H    R/W    Address:    TP0OPT0 FFFFF595H, TP1OPT0 FFFFF5A5H,  
TP2OPT0 FFFFF5B5H, TP3OPT0 FFFFF5C5H

	7	6	5	4	3	2	1	0
TPnOPT0 (n = 0 to 3)	0	0	TPnCCS1	TPnCCS0	0	0	0	TPnOVF

TPnCCS1	TPnCCR1 register capture/compare selection
0	Compare register selected
1	Capture register selected
The TPnCCS1 bit setting is valid only in the free-running timer mode.	

TPnCCS0	TPnCCR0 register capture/compare selection
0	Compare register selected
1	Capture register selected
The TPnCCS0 bit setting is valid only in the free-running timer mode.	

TPnOVF	TMPn overflow detection flag
Set (1)	Overflow occurred
Reset (0)	TPnOVF bit 0 written or TPnCTL0.TPnCE bit = 0
<ul style="list-style-type: none"> <li>The TPnOVF bit is set to 1 when the 16-bit counter count value overflows from FFFFH to 0000H in the free-running timer mode or the pulse width measurement mode.</li> <li>An interrupt request signal (INTTPnOV) is generated at the same time that the TPnOVF bit is set to 1. The INTTPnOV signal is not generated in modes other than the free-running timer mode and the pulse width measurement mode.</li> <li>The TPnOVF bit is not cleared even when the TPnOVF bit or the TPnOPT0 register are read when the TPnOVF bit = 1.</li> <li>The TPnOVF bit can be both read and written, but the TPnOVF bit cannot be set to 1 by software. Writing 1 has no influence on the operation of TMPn.</li> </ul>	

- Cautions**
1. Rewrite the TPnCCS1 and TPnCCS0 bits when the TPnCE bit = 0. (The same value can be written when the TPnCE bit = 1.) If rewriting was mistakenly performed, clear the TPnCE bit to 0 and then set the bits again.
  2. Be sure to clear bits 1 to 3, 6, and 7 to "0".

**(7) TMPn capture/compare register 0 (TPnCCR0)**

The TPnCCR0 register can be used as a capture register or a compare register depending on the mode.

This register can be used as a capture register or a compare register only in the free-running timer mode, depending on the setting of the TPnOPT0.TPnCCS0 bit. In the pulse width measurement mode, the TPnCCR0 register can be used only as a capture register. In any other mode, this register can be used only as a compare register.

The TPnCCR0 register can be read or written during operation.

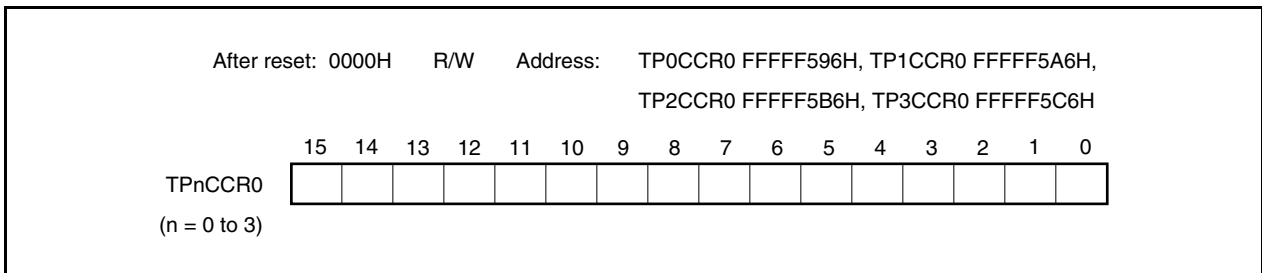
This register can be read or written in 16-bit units.

Reset sets this register to 0000H.

**Caution** Accessing the TPnCCR0 register is prohibited in the following statuses. For details, see 3.4.8

**(2) Accessing specific on-chip peripheral I/O registers.**

- When the CPU operates with the subclock and the main clock oscillation is stopped
- When the CPU operates with the internal oscillation clock



**(a) Function as compare register**

The TPnCCR0 register can be rewritten even when the TPnCTL0.TPnCE bit = 1.

The set value of the TPnCCR0 register is transferred to the CCR0 buffer register. When the value of the 16-bit counter matches the value of the CCR0 buffer register, a compare match interrupt request signal (INTTPnCC0) is generated. If TOPn0 pin output is enabled at this time, the output of the TOPn0 pin is inverted.

When the TPnCCR0 register is used as a cycle register in the interval timer mode, external event count mode, external trigger pulse output mode, one-shot pulse output mode, or PWM output mode, the value of the 16-bit counter is cleared (0000H) if its count value matches the value of the CCR0 buffer register.

**(b) Function as capture register**

When the TPnCCR0 register is used as a capture register in the free-running timer mode, the count value of the 16-bit counter is stored in the TPnCCR0 register if the valid edge of the capture trigger input pin (TIPn0 pin) is detected. In the pulse-width measurement mode, the count value of the 16-bit counter is stored in the TPnCCR0 register and the 16-bit counter is cleared (0000H) if the valid edge of the capture trigger input pin (TIPn0) is detected.

Even if the capture operation and reading the TPnCCR0 register conflict, the correct value of the TPnCCR0 register can be read.

The following table shows the functions of the capture/compare register in each mode, and how to write data to the compare register.

**Table 6-2. Function of Capture/Compare Register in Each Mode and How to Write Compare Register**

Operation Mode	Capture/Compare Register	How to Write Compare Register
Interval timer	Compare register	Anytime write
External event counter	Compare register	Anytime write
External trigger pulse output	Compare register	Batch write
One-shot pulse output	Compare register	Anytime write
PWM output	Compare register	Batch write
Free-running timer	Capture/compare register	Anytime write
Pulse width measurement	Capture register	–



**(8) TMPn capture/compare register 1 (TPnCCR1)**

The TPnCCR1 register can be used as a capture register or a compare register depending on the mode.

This register can be used as a capture register or a compare register only in the free-running timer mode, depending on the setting of the TPnOPT0.TPnCCS1 bit. In the pulse width measurement mode, the TPnCCR1 register can be used only as a capture register. In any other mode, this register can be used only as a compare register.

The TPnCCR1 register can be read or written during operation.

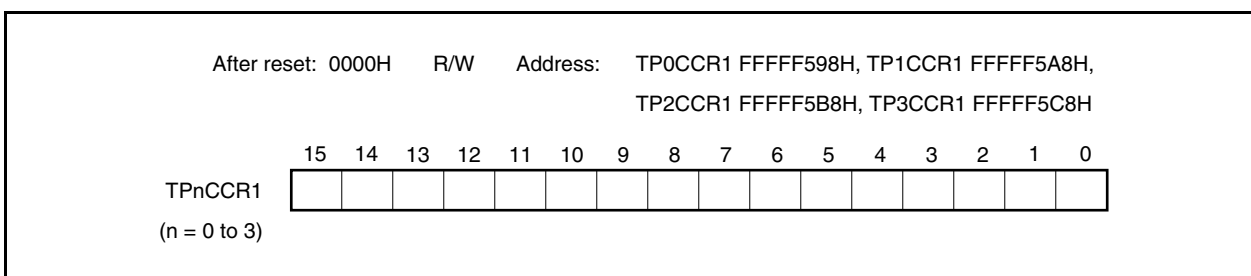
This register can be read or written in 16-bit units.

Reset sets this register to 0000H.

**Caution** Accessing the TPnCCR1 register is prohibited in the following statuses. For details, see 3.4.8

**(2) Accessing specific on-chip peripheral I/O registers.**

- When the CPU operates with the subclock and the main clock oscillation is stopped
- When the CPU operates with the internal oscillation clock



**(a) Function as compare register**

The TPnCCR1 register can be rewritten even when the TPnCTL0.TPnCE bit = 1.

The set value of the TPnCCR1 register is transferred to the CCR1 buffer register. When the value of the 16-bit counter matches the value of the CCR1 buffer register, a compare match interrupt request signal (INTTPnCC1) is generated. If TOPn1 pin output is enabled at this time, the output of the TOPn1 pin is inverted.

**(b) Function as capture register**

When the TPnCCR1 register is used as a capture register in the free-running timer mode, the count value of the 16-bit counter is stored in the TPnCCR1 register if the valid edge of the capture trigger input pin (TIPn1 pin) is detected. In the pulse-width measurement mode, the count value of the 16-bit counter is stored in the TPnCCR1 register and the 16-bit counter is cleared (0000H) if the valid edge of the capture trigger input pin (TIPn1) is detected.

Even if the capture operation and reading the TPnCCR1 register conflict, the correct value of the TPnCCR1 register can be read.

The following table shows the functions of the capture/compare register in each mode, and how to write data to the compare register.

**Table 6-3. Function of Capture/Compare Register in Each Mode and How to Write Compare Register**

Operation Mode	Capture/Compare Register	How to Write Compare Register
Interval timer	Compare register	Anytime write
External event counter	Compare register	Anytime write
External trigger pulse output	Compare register	Batch write
One-shot pulse output	Compare register	Anytime write
PWM output	Compare register	Batch write
Free-running timer	Capture/compare register	Anytime write
Pulse width measurement	Capture register	–



**(10) TIP<sub>n</sub>m pin noise elimination control register (P<sub>n</sub>mNFC)**

The P<sub>n</sub>mNFC register is an 8-bit register that sets the digital noise filter of the timer P input pin for noise elimination.

This register can be read or written in 8-bit or 1-bit units.

Reset sets this register to 00H.

After reset: 00H    R/W    Address: P00NFC : FFFFFFFB00H (TIP00 pin)  
 P01NFC : FFFFFFFB04H (TIP01 pin)  
 P10NFC : FFFFFFFB08H (TIP10 pin)  
 P11NFC : FFFFFFFB0CH (TIP11 pin)  
 P20NFC : FFFFFFFB10H (TIP20 pin)  
 P21NFC : FFFFFFFB14H (TIP21 pin)  
 P30NFC : FFFFFFFB18H (TIP30 pin)  
 P31NFC : FFFFFFFB1CH (TIP31 pin)

	7	6	5	4	3	2	1	0
P <sub>n</sub> mNFC	0	NFSTS	0	0	0	NFC2	NFC1	NFC0

(n = 0 to 3, m = 0, 1)

NFSTS	Setting of number of times of sampling by digital noise filter
0	3 times
1	2 times

NFC2	NFC1	NFC0	Sampling clock	
			n = 0, 2	n = 1, 3
0	0	0	f <sub>xx</sub>	
0	0	1	f <sub>xx</sub> /2	
0	1	0	f <sub>xx</sub> /4	
0	1	1	f <sub>xx</sub> /16	f <sub>xx</sub> /8
1	0	0	f <sub>xx</sub> /32	
1	0	1	f <sub>xx</sub> /64	f <sub>XT</sub>
Other than above			Setting prohibited	

- Cautions**
1. Be sure to clear bits 3 to 5 and 7 to "0".
  2. A signal input to the timer input pin (TIP<sub>n</sub>m) before the P<sub>n</sub>mNFC register is set is output with digital noise eliminated.  
 Therefore, set the sampling clock (NFC2 to NFC0) and the number of times of sampling (NFSTS) by using the P<sub>n</sub>mNFC register, wait for initialization time = (Sampling clock) × (Number of times of sampling), and enable the timer operation.

**Remark** The width of the noise that can be accurately eliminated is (Sampling clock) × (Number of times of sampling – 1). Even noise with a width narrower than this may cause a miscount if it is synchronized with the sampling clock.

## 6.5 Operation

TMPn can perform the following operations.

Operation	TPnCTL1.TPnEST Bit (Software Trigger Bit)	TIPn0 Pin (External Trigger Input)	Capture/Compare Register Setting	Compare Register Write
Interval timer mode	Invalid	Invalid	Compare only	Anytime write
External event count mode <sup>Note 1</sup>	Invalid	Invalid	Compare only	Anytime write
External trigger pulse output mode <sup>Note 2</sup>	Valid	Valid	Compare only	Batch write
One-shot pulse output mode <sup>Note 2</sup>	Valid	Valid	Compare only	Anytime write
PWM output mode	Invalid	Invalid	Compare only	Batch write
Free-running timer mode	Invalid	Invalid	Switching enabled	Anytime write
Pulse width measurement mode <sup>Note 2</sup>	Invalid	Invalid	Capture only	Not applicable

- Notes 1.** To use the external event count mode, specify that the valid edge of the TIPn0 pin capture trigger input is not detected (by clearing the TPnIOC1.TPnIS1 and TPnIOC1.TPnIS0 bits to “00”).
- 2.** When using the external trigger pulse output mode, one-shot pulse output mode, and pulse width measurement mode, select the internal clock as the count clock (by clearing the TPnCTL1.TPnEEE bit to 0).

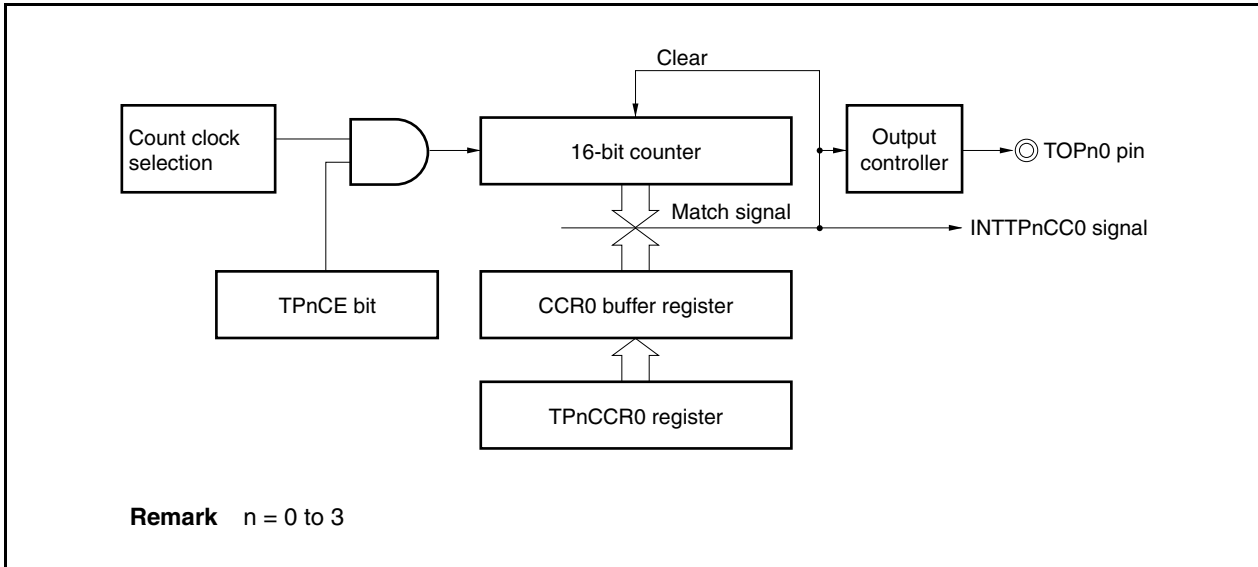
**Remark** n = 0 to 3

**6.5.1 Interval timer mode (TPnMD2 to TPnMD0 bits = 000)**

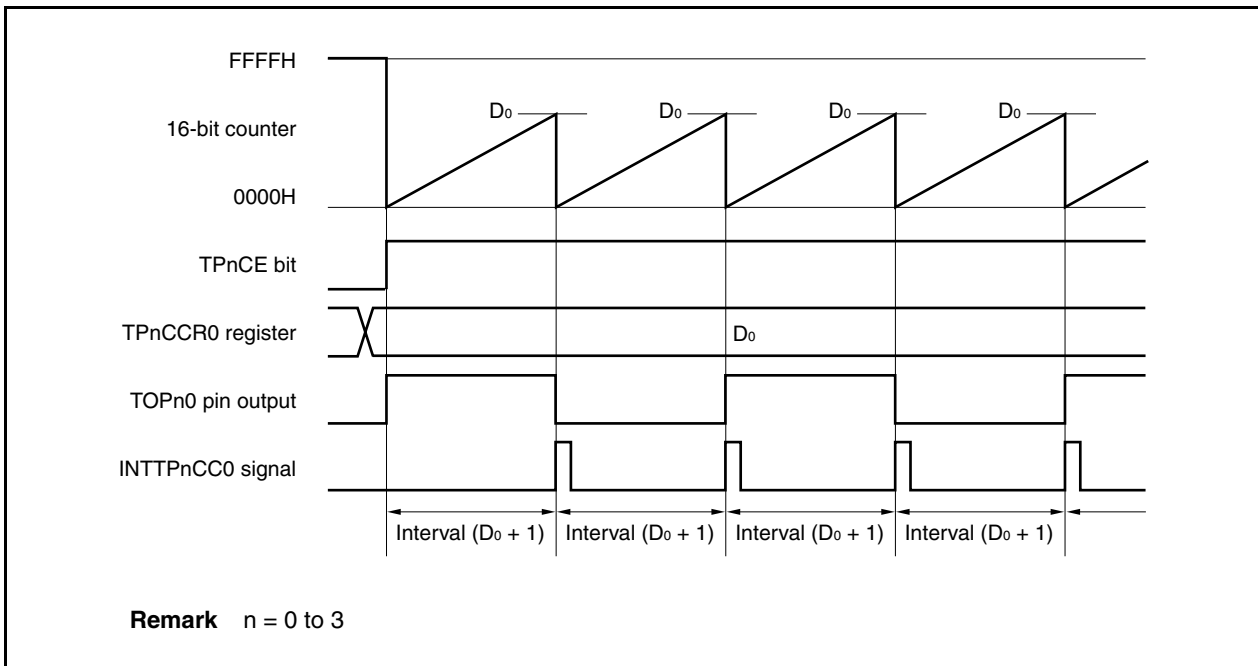
In the interval timer mode, an interrupt request signal (INTTPnCC0) is generated at the specified interval if the TPnCTL0.TPnCE bit is set to 1. A square wave whose half cycle is equal to the interval can be output from the TOPn0 pin.

Usually, the TPnCCR1 register is not used in the interval timer mode.

**Figure 6-2. Configuration of Interval Timer**



**Figure 6-3. Basic Timing of Operation in Interval Timer Mode**



When the TPnCE bit is set to 1, the value of the 16-bit counter is cleared from FFFFH to 0000H in synchronization with the count clock, and the counter starts counting. At this time, the output of the TOPn0 pin is inverted. Additionally, the set value of the TPnCCR0 register is transferred to the CCR0 buffer register.

When the count value of the 16-bit counter matches the value of the CCR0 buffer register, the 16-bit counter is cleared to 0000H, the output of the TOPn0 pin is inverted, and a compare match interrupt request signal (INTTPnCC0) is generated.

The interval can be calculated by the following expression.

$$\text{Interval} = (\text{Set value of TPnCCR0 register} + 1) \times \text{Count clock cycle}$$

**Remark** n = 0 to 3

**Figure 6-4. Register Setting for Interval Timer Mode Operation (1/2)**

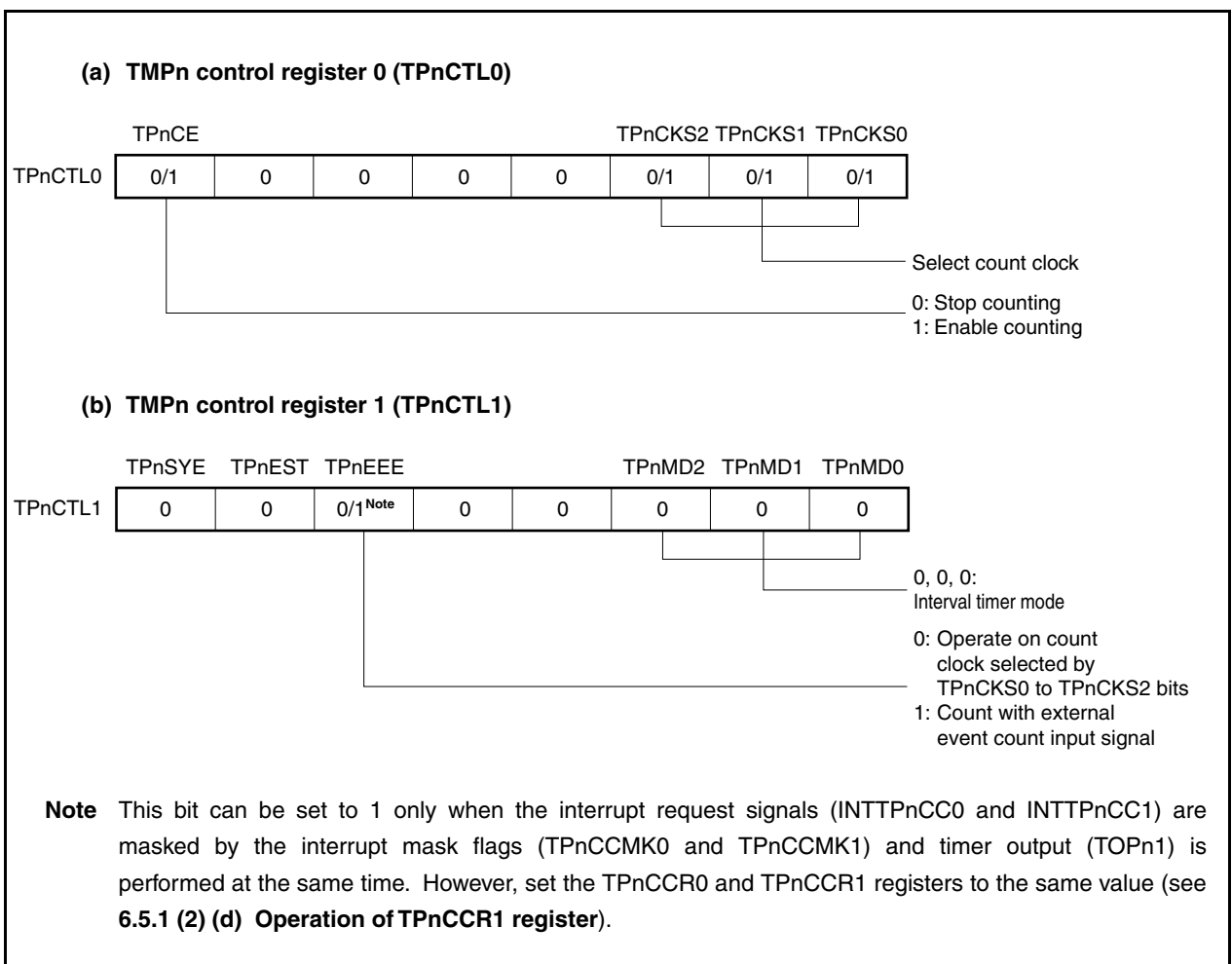
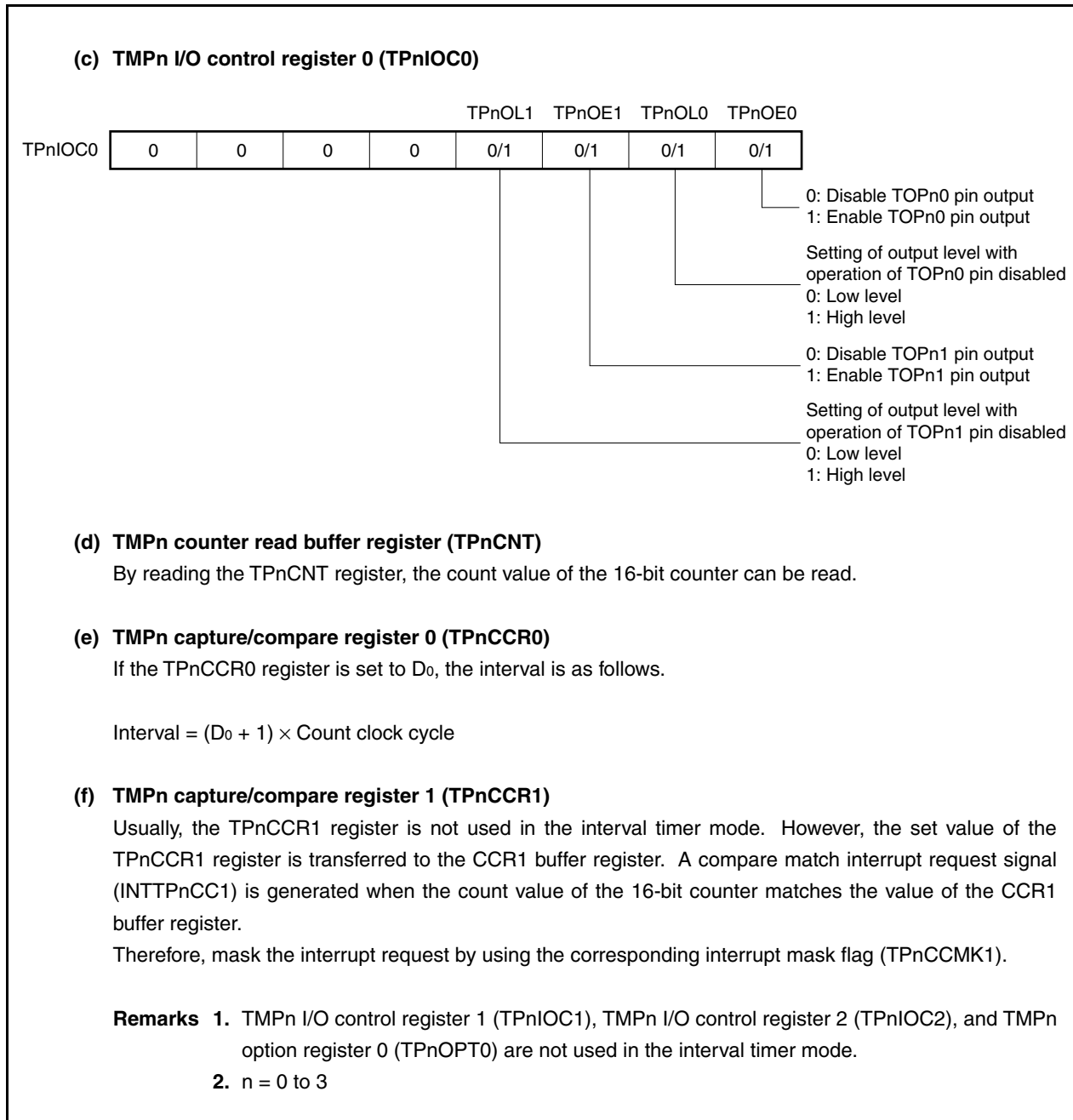


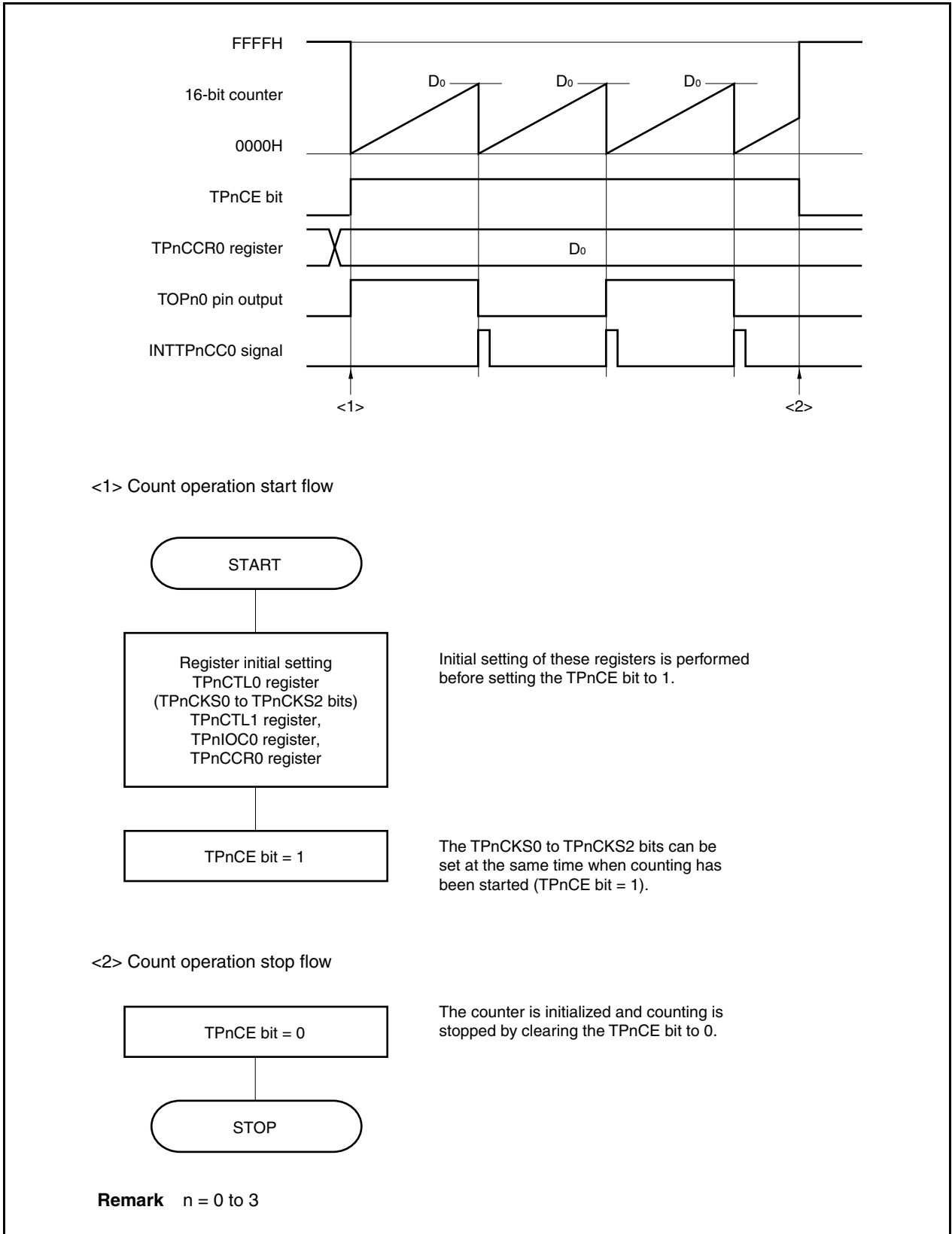
Figure 6-4. Register Setting for Interval Timer Mode Operation (2/2)





(1) Interval timer mode operation flow

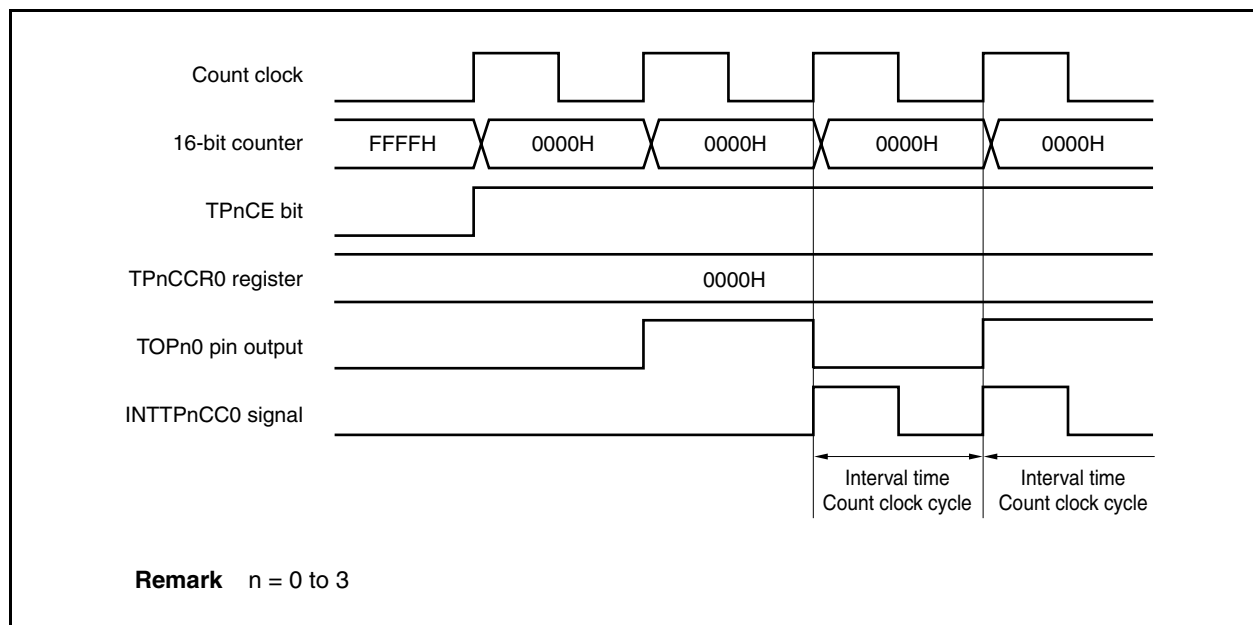
Figure 6-5. Software Processing Flow in Interval Timer Mode



**(2) Interval timer mode operation timing****(a) Operation if TPnCCR0 register is set to 0000H**

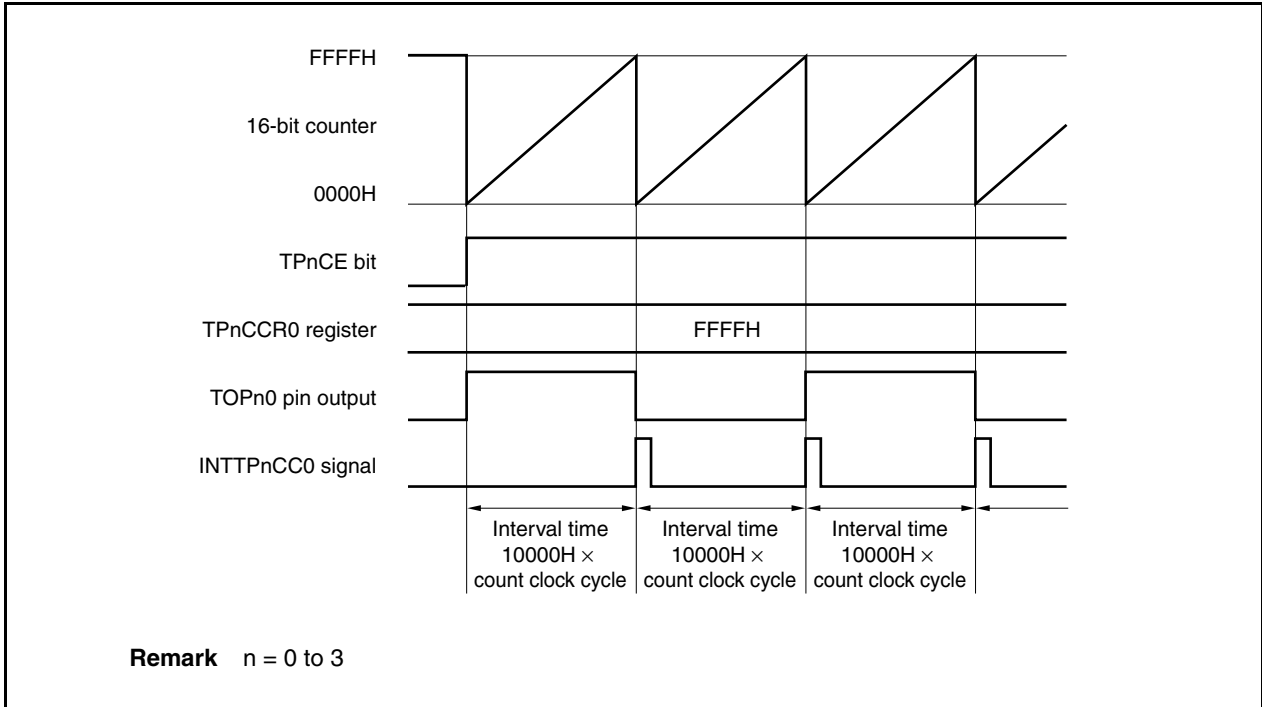
If the TPnCCR0 register is set to 0000H, the INTTPnCC0 signal is generated at each count clock subsequent to the first count clock, and the output of the TOPn0 pin is inverted.

The value of the 16-bit counter is always 0000H.



**(b) Operation if TPnCCR0 register is set to FFFFH**

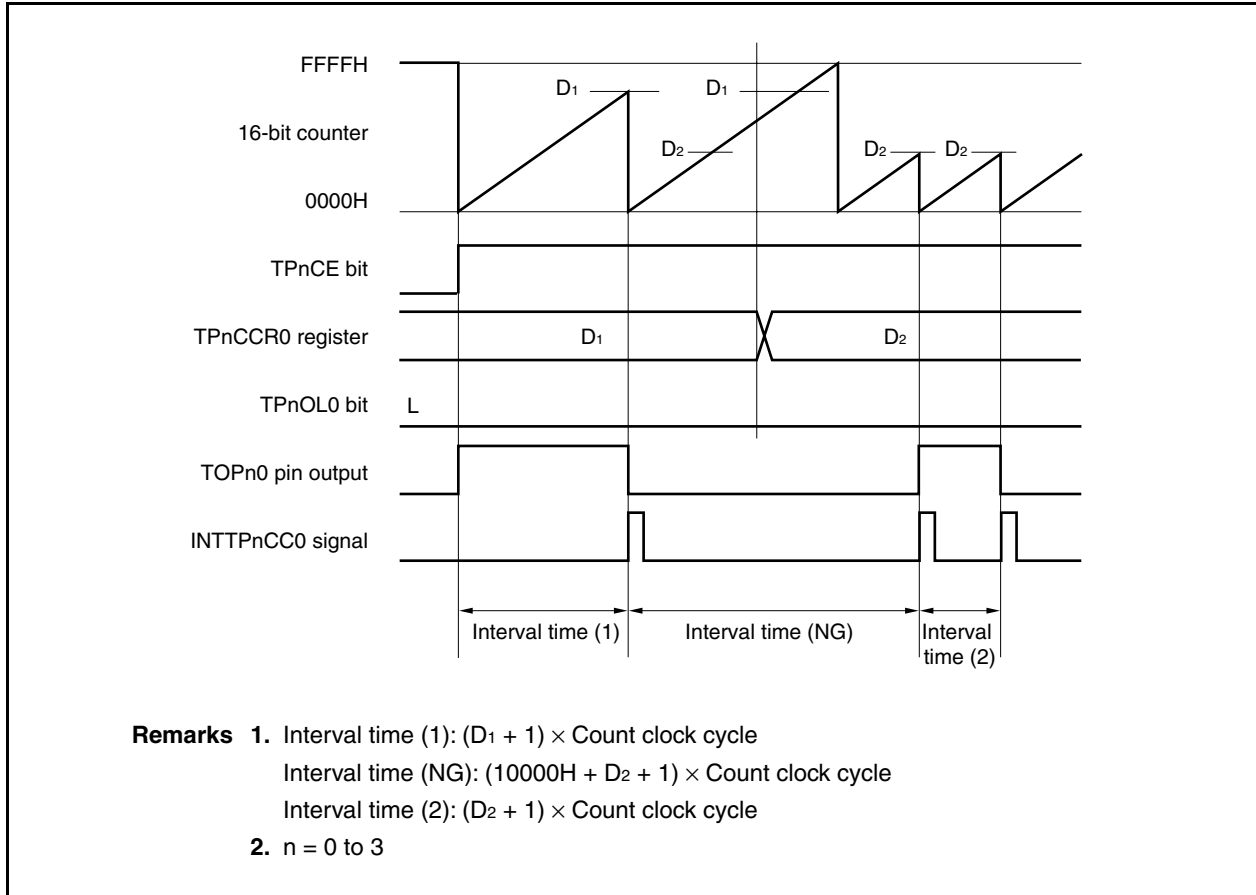
If the TPnCCR0 register is set to FFFFH, the 16-bit counter counts up to FFFFH. The counter is cleared to 0000H in synchronization with the next count-up timing. The INTTPnCC0 signal is generated and the output of the TOPn0 pin is inverted. At this time, an overflow interrupt request signal (INTTPnOV) is not generated, nor is the overflow flag (TPnOPT0.TPnOVF bit) set to 1.



**(c) Notes on rewriting TPnCCR0 register**

To change the value of the TPnCCR0 register to a smaller value, stop counting once and then change the set value.

If the value of the TPnCCR0 register is rewritten to a smaller value during counting, the 16-bit counter may overflow.



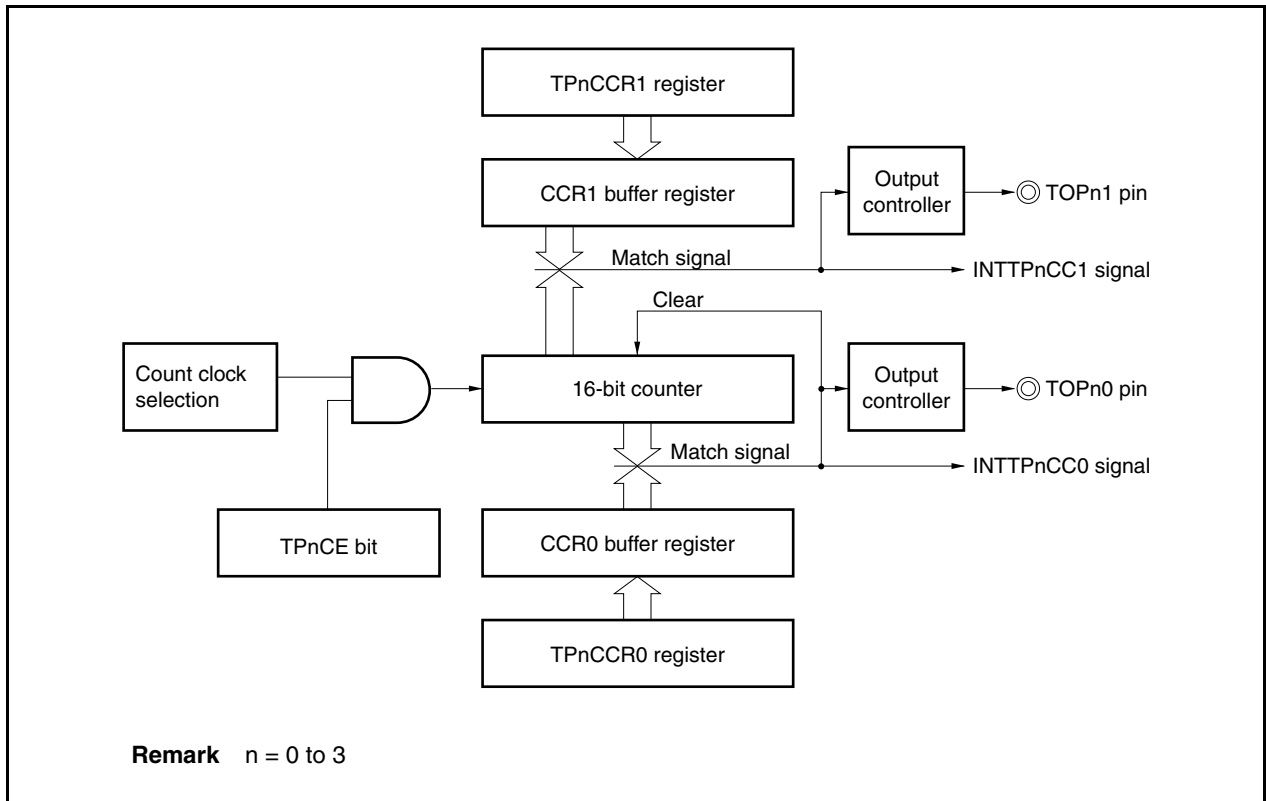
If the value of the TPnCCR0 register is changed from  $D_1$  to  $D_2$  while the count value is greater than  $D_2$  but less than  $D_1$ , the count value is transferred to the CCR0 buffer register as soon as the TPnCCR0 register has been rewritten. Consequently, the value of the 16-bit counter that is compared is  $D_2$ .

Because the count value has already exceeded  $D_2$ , however, the 16-bit counter counts up to FFFFH, overflows, and then counts up again from 0000H. When the count value matches  $D_2$ , the INTTPnCC0 signal is generated and the output of the TOPn0 pin is inverted.

Therefore, the INTTPnCC0 signal may not be generated at the interval time " $(D_1 + 1) \times \text{Count clock cycle}$ " or " $(D_2 + 1) \times \text{Count clock cycle}$ " originally expected, but may be generated at an interval of " $(10000H + D_2 + 1) \times \text{Count clock period}$ ".

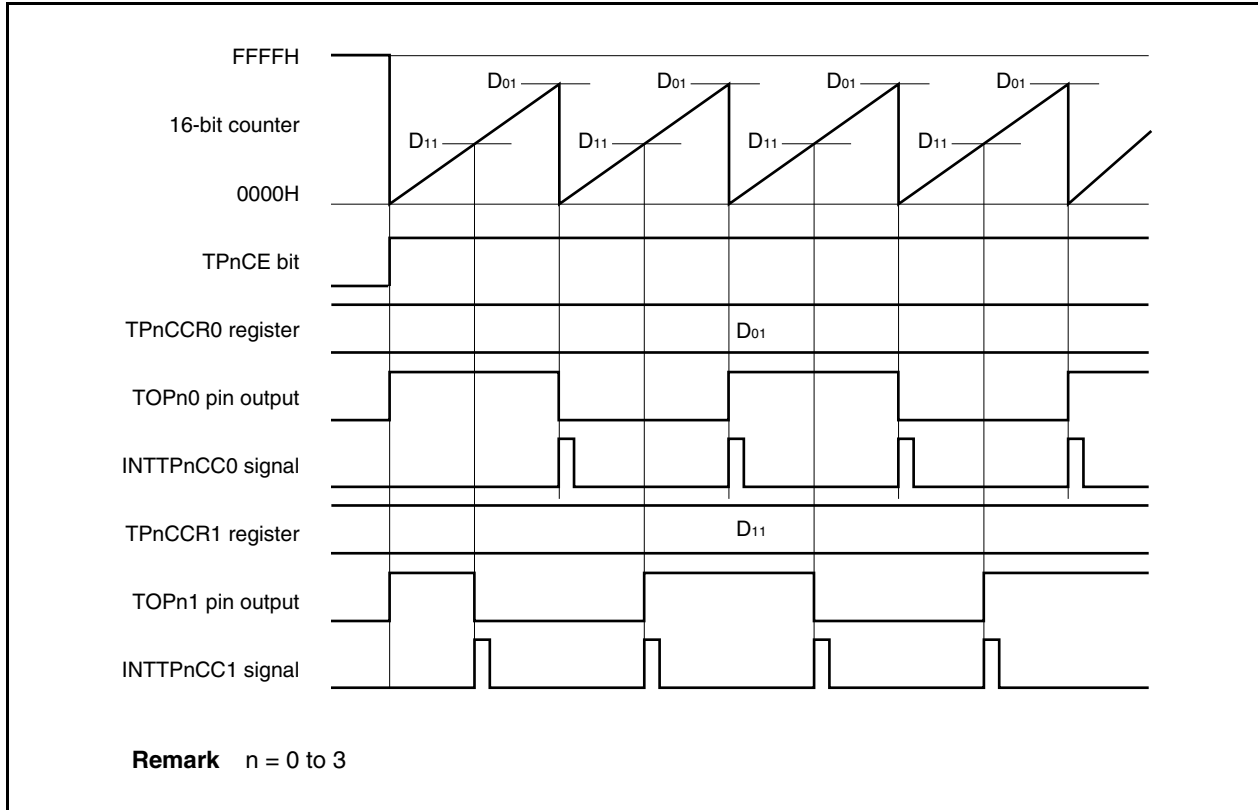
## (d) Operation of TPnCCR1 register

Figure 6-6. Configuration of TPnCCR1 Register



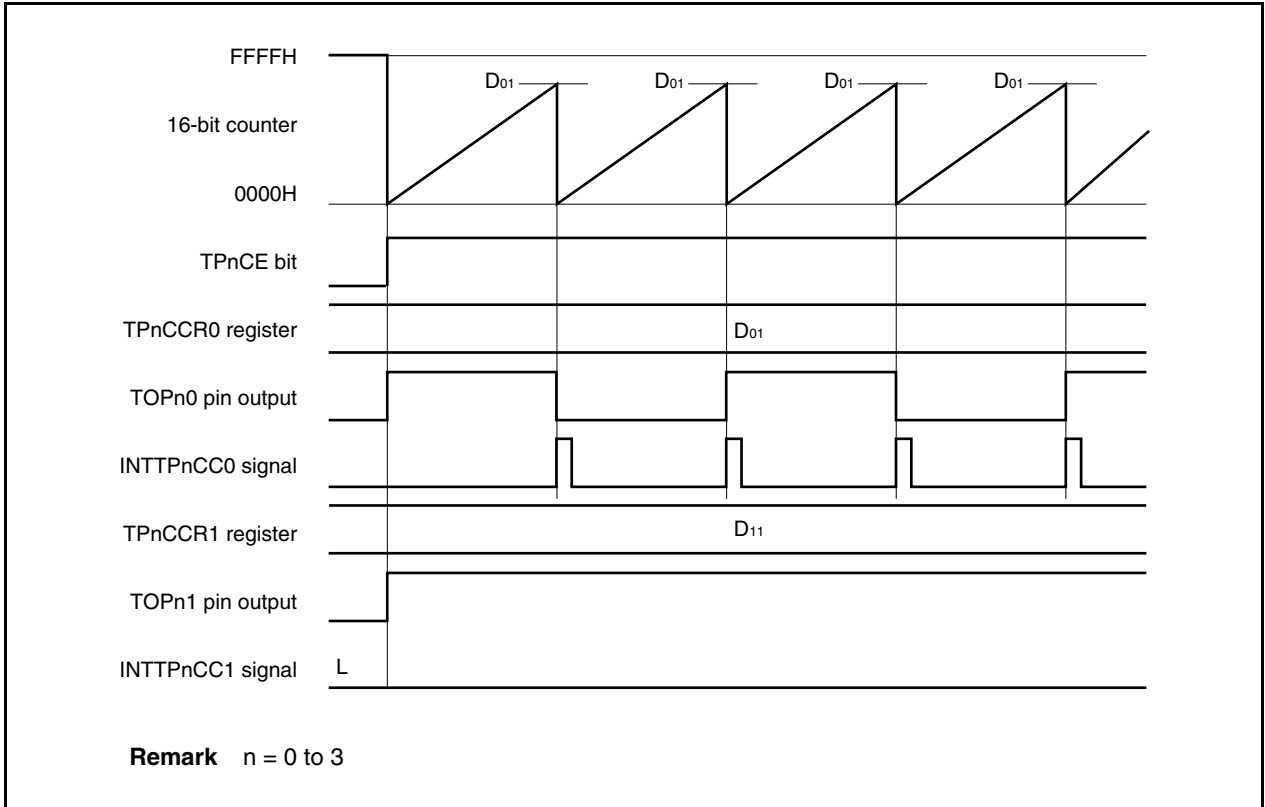
If the set value of the TPnCCR1 register is less than the set value of the TPnCCR0 register, the INTTPnCC1 signal is generated once per cycle. At the same time, the output of the TOPn1 pin is inverted. The TOPn1 pin outputs a square wave with the same cycle as that output by the TOPn0 pin.

Figure 6-7. Timing Chart When  $D_{01} \geq D_{11}$



If the set value of the TPnCCR1 register is greater than the set value of the TPnCCR0 register, the count value of the 16-bit counter does not match the value of the TPnCCR1 register. Consequently, the INTTPnCC1 signal is not generated, nor is the output of the TOPn1 pin changed.

Figure 6-8. Timing Chart When  $D_{01} < D_{11}$

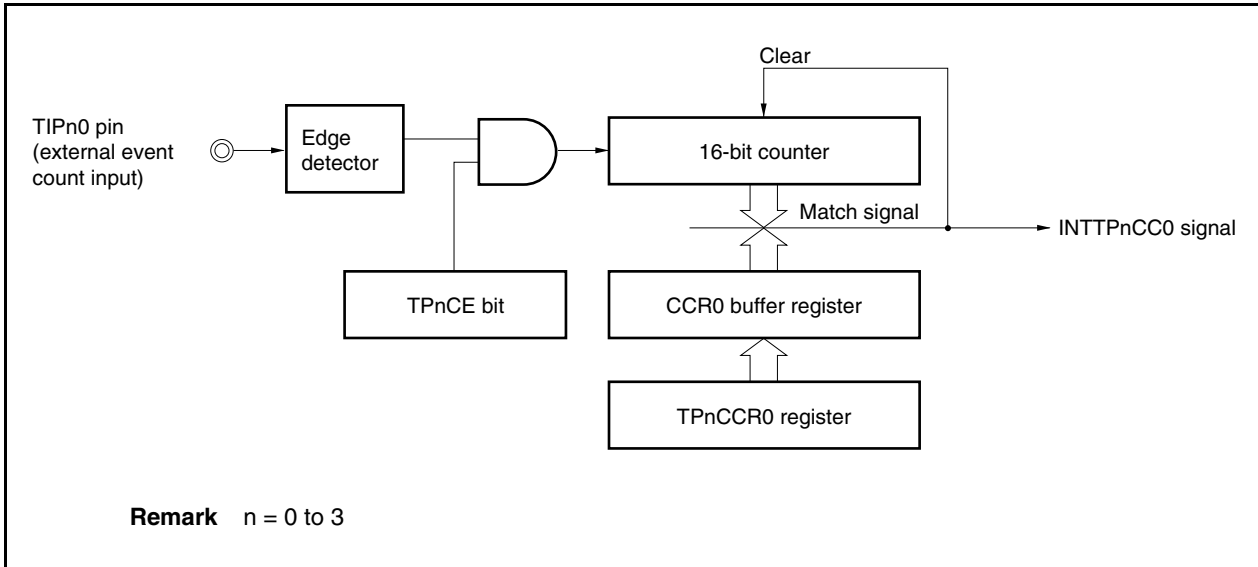


**6.5.2 External event count mode (TPnMD2 to TPnMD0 bits = 001)**

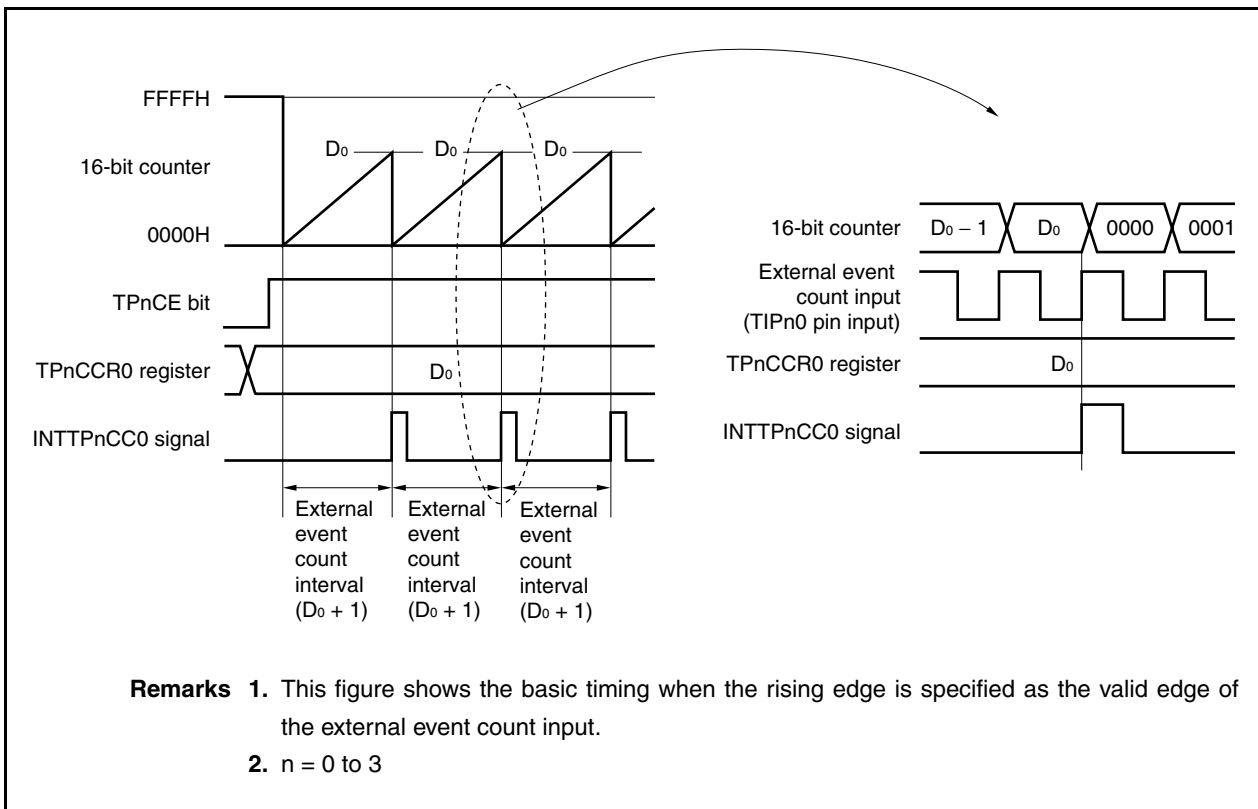
In the external event count mode, the valid edge of the external event count input is counted when the TPnCTL0.TPnCE bit is set to 1, and an interrupt request signal (INTTPnCC0) is generated each time the specified number of edges have been counted. The TOPn0 pin cannot be used.

Usually, the TPnCCR1 register is not used in the external event count mode.

**Figure 6-9. Configuration in External Event Count Mode**



**Figure 6-10. Basic Timing in External Event Count Mode**



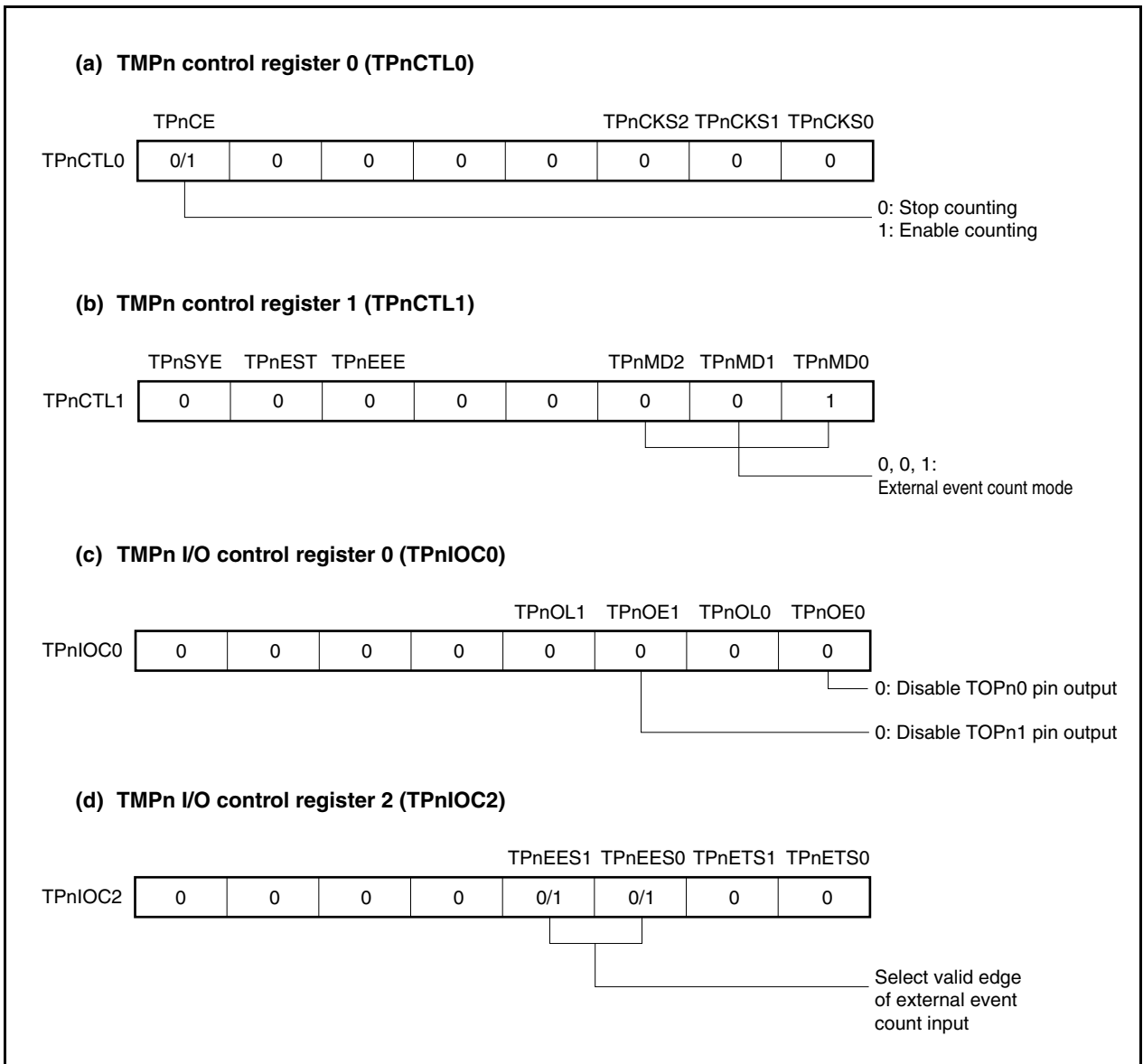


When the TPnCE bit is set to 1, the value of the 16-bit counter is cleared from FFFFH to 0000H. The counter counts each time the valid edge of external event count input is detected. Additionally, the set value of the TPnCCR0 register is transferred to the CCR0 buffer register.

When the count value of the 16-bit counter matches the value of the CCR0 buffer register, the 16-bit counter is cleared to 0000H, and a compare match interrupt request signal (INTTPnCC0) is generated.

The INTTPnCC0 signal is generated each time the valid edge of the external event count input has been detected (set value of TPnCCR0 register + 1) times.

Figure 6-11. Register Setting for Operation in External Event Count Mode (1/2)



**Figure 6-11. Register Setting for Operation in External Event Count Mode (2/2)****(e) TMPn counter read buffer register (TPnCNT)**

The count value of the 16-bit counter can be read by reading the TPnCNT register.

**(f) TMPn capture/compare register 0 (TPnCCR0)**

If  $D_0$  is set to the TPnCCR0 register, the counter is cleared and a compare match interrupt request signal (INTTPnCC0) is generated when the number of external event counts reaches ( $D_0 + 1$ ).

**(g) TMPn capture/compare register 1 (TPnCCR1)**

Usually, the TPnCCR1 register is not used in the external event count mode. However, the set value of the TPnCCR1 register is transferred to the CCR1 buffer register. When the count value of the 16-bit counter matches the value of the CCR1 buffer register, a compare match interrupt request signal (INTTPnCC1) is generated.

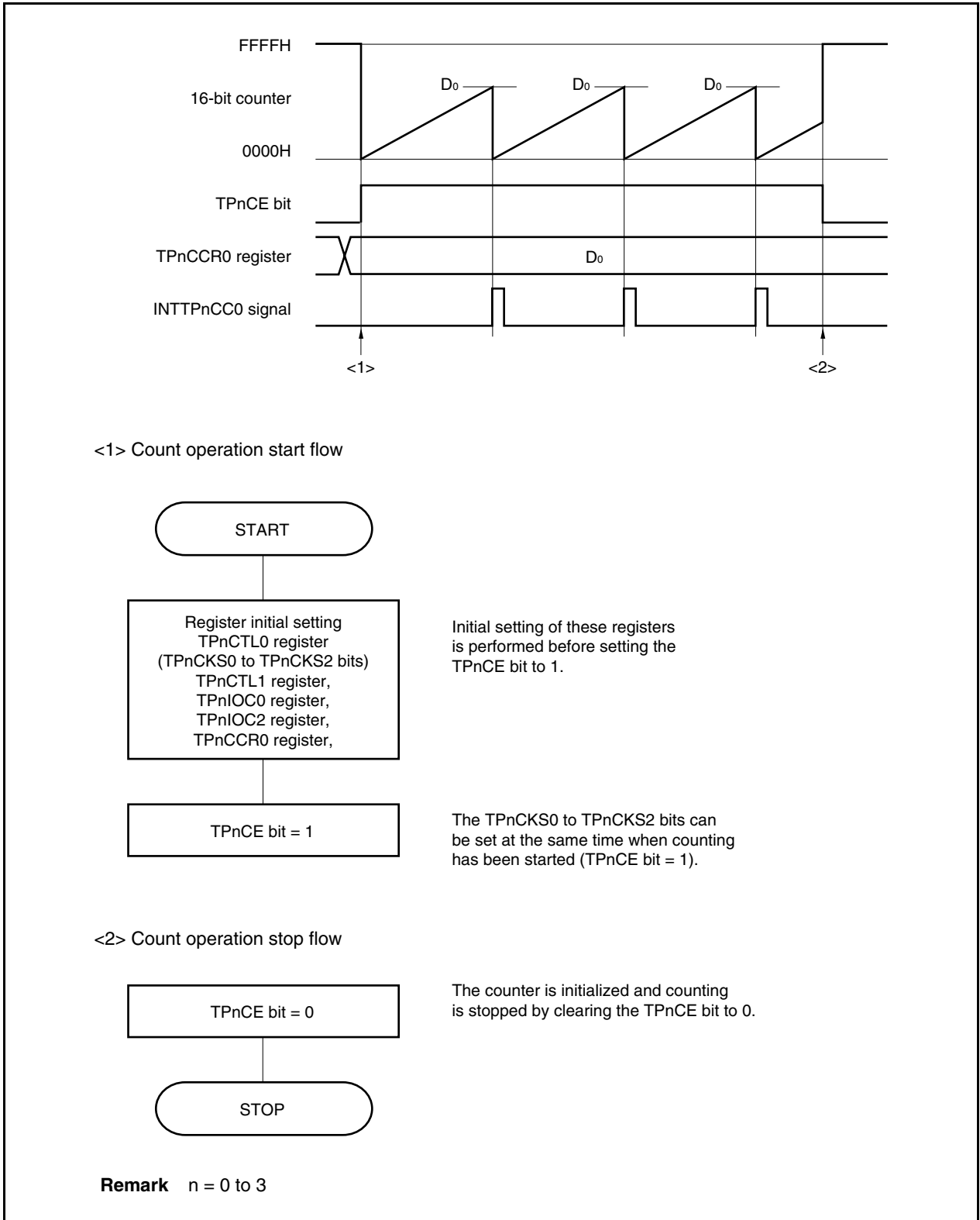
Therefore, mask the interrupt signal by using the interrupt mask flag (TPnCCMK1).

**Remarks** 1. TMPn I/O control register 1 (TPnIOC1) and TMPn option register 0 (TPnOPT0) are not used in the external event count mode.

2.  $n = 0$  to 3

(1) External event count mode operation flow

Figure 6-12. Flow of Software Processing in External Event Count Mode

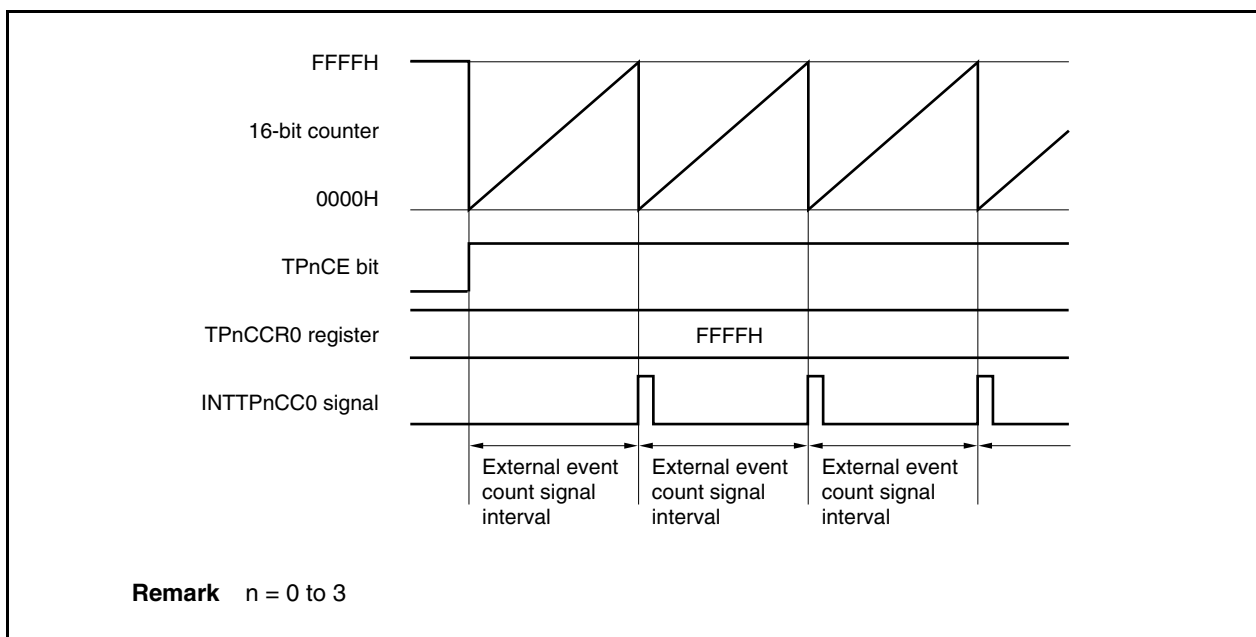


## (2) Operation timing in external event count mode

- Cautions**
1. In the external event count mode, do not set the TPnCCR0 register to 0000H.
  2. In the external event count mode, use of the timer output is disabled. If performing timer output using external event count input, set the interval timer mode, and select the operation enabled by the external event count input for the count clock (TPnCTL1.TPnMD2 to TPnCTL1.TPnMD0 bits = 000, TPnCTL1.TPnEEE bit = 1).

## (a) Operation if TPnCCR0 register is set to FFFFH

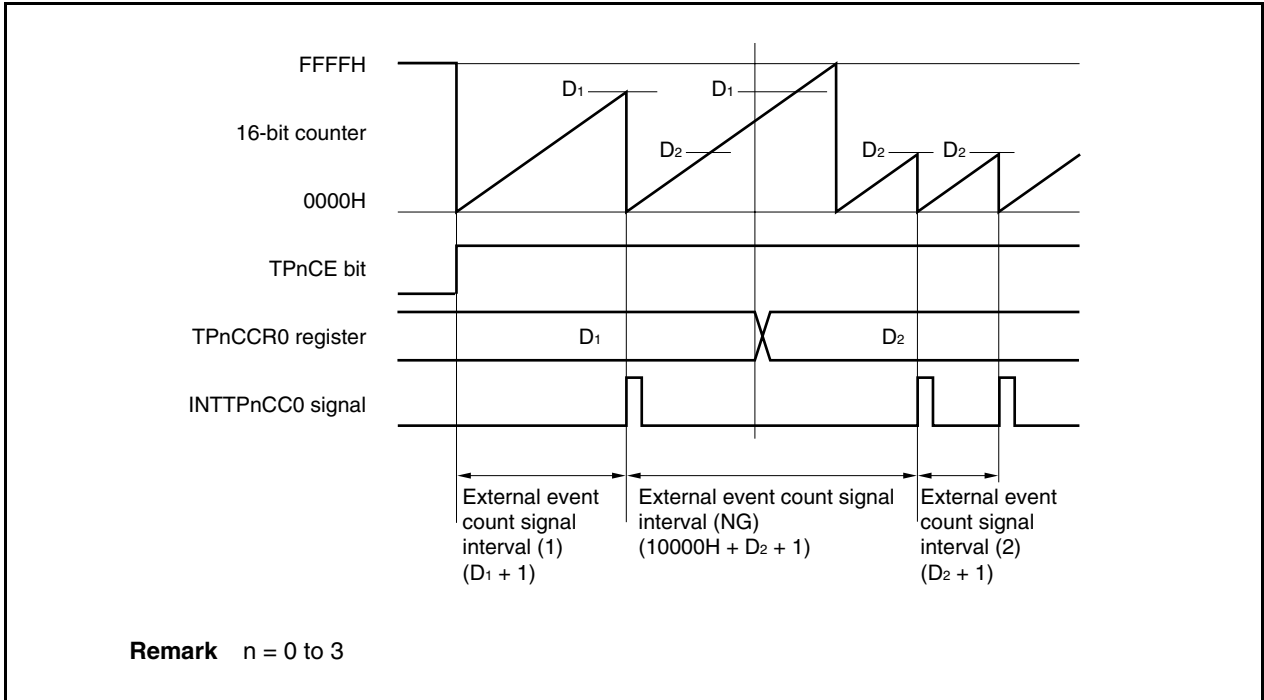
If the TPnCCR0 register is set to FFFFH, the 16-bit counter counts to FFFFH each time the valid edge of the external event count signal has been detected. The 16-bit counter is cleared to 0000H in synchronization with the next count-up timing, and the INTTPnCC0 signal is generated. At this time, the TPnOPT0.TPnOVF bit is not set.



**(b) Notes on rewriting the TPnCCR0 register**

To change the value of the TPnCCR0 register to a smaller value, stop counting once and then change the set value.

If the value of the TPnCCR0 register is rewritten to a smaller value during counting, the 16-bit counter may overflow.



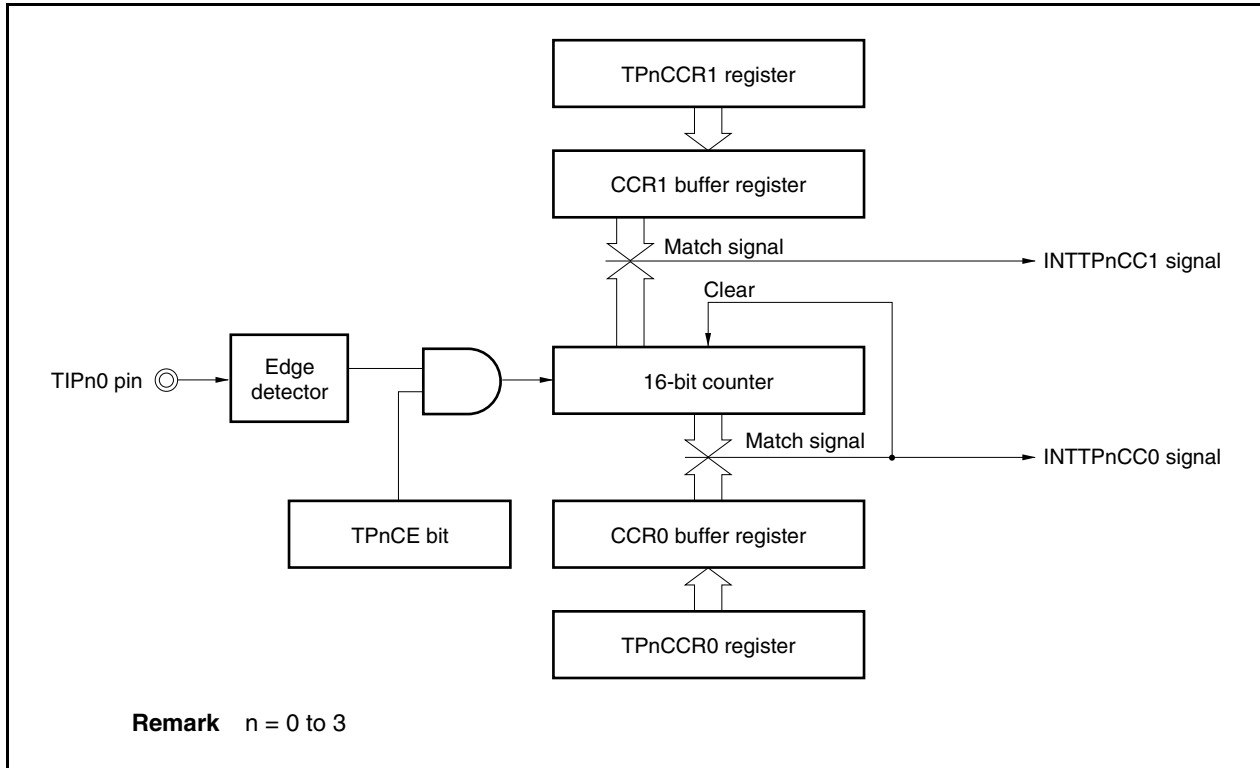
If the value of the TPnCCR0 register is changed from D<sub>1</sub> to D<sub>2</sub> while the count value is greater than D<sub>2</sub> but less than D<sub>1</sub>, the count value is transferred to the CCR0 buffer register as soon as the TPnCCR0 register has been rewritten. Consequently, the value that is compared with the 16-bit counter is D<sub>2</sub>.

Because the count value has already exceeded D<sub>2</sub>, however, the 16-bit counter counts up to FFFFH, overflows, and then counts up again from 0000H. When the count value matches D<sub>2</sub>, the INTTPnCC0 signal is generated.

Therefore, the INTTPnCC0 signal may not be generated at the valid edge count of “(D<sub>1</sub> + 1) times” or “(D<sub>2</sub> + 1) times” originally expected, but may be generated at the valid edge count of “(10000H + D<sub>2</sub> + 1) times”.

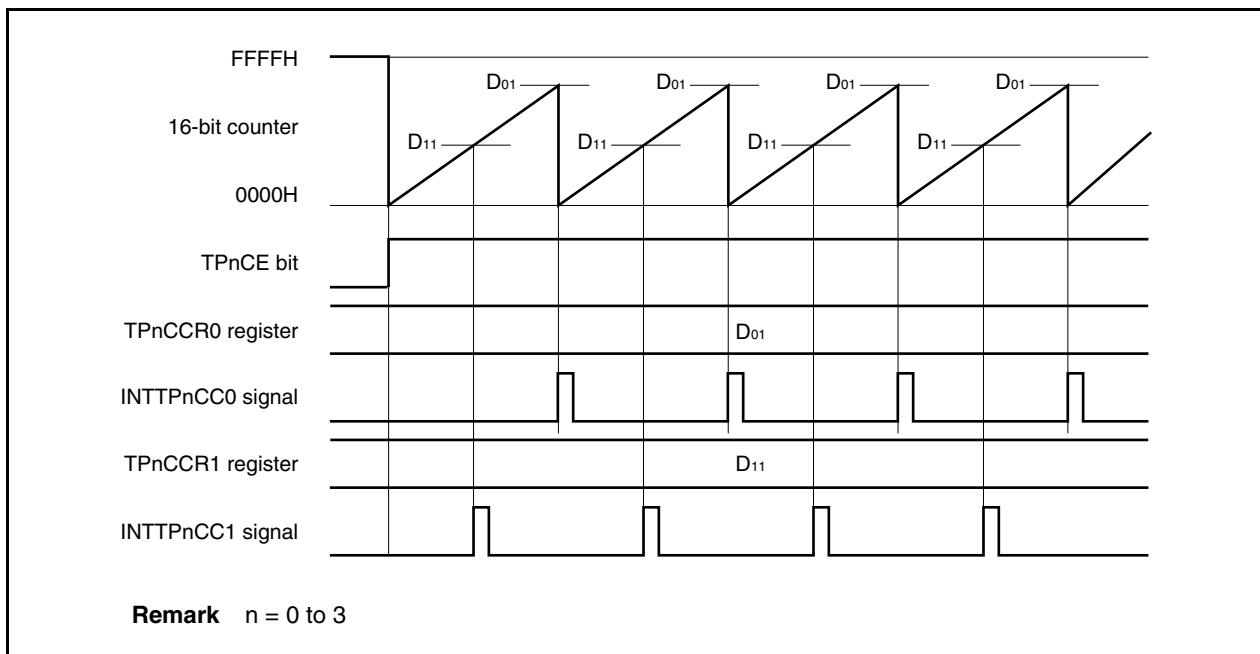
(c) Operation of TPnCCR1 register

Figure 6-13. Configuration of TPnCCR1 Register



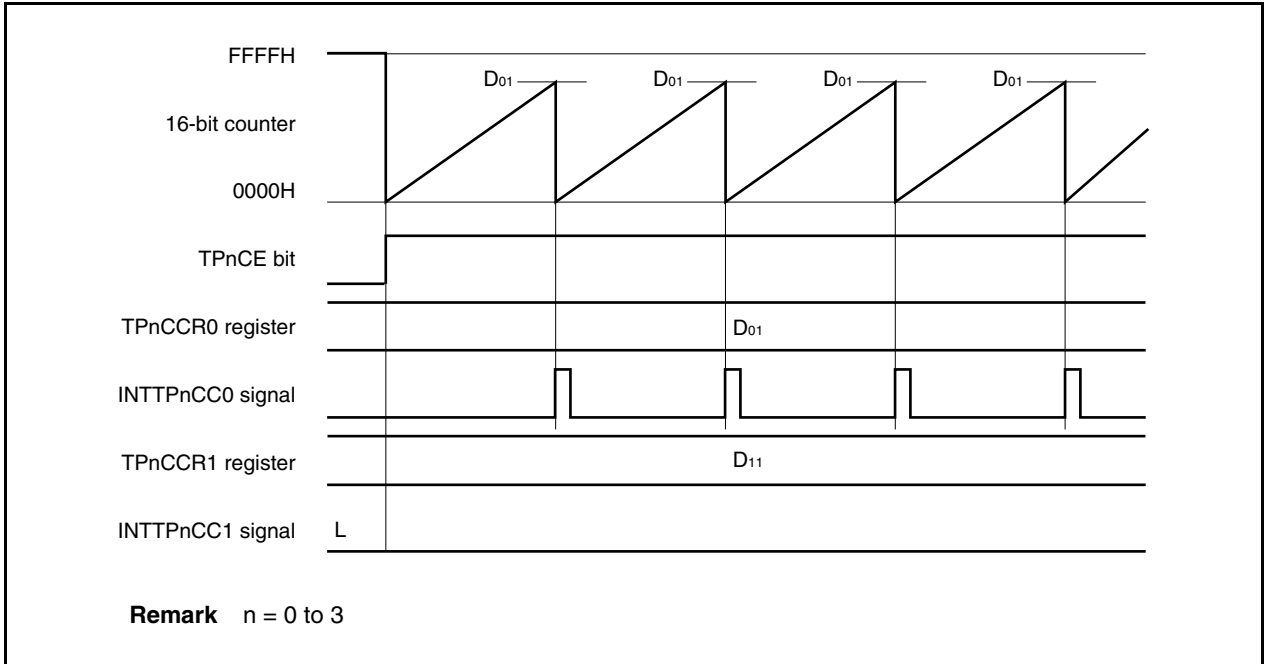
If the set value of the TPnCCR1 register is smaller than the set value of the TPnCCR0 register, the INTTPnCC1 signal is generated once per cycle.

Figure 6-14. Timing Chart When  $D_{01} \geq D_{11}$



If the set value of the TPnCCR1 register is greater than the set value of the TPnCCR0 register, the INTTPnCC1 signal is not generated because the count value of the 16-bit counter and the value of the TPnCCR1 register do not match.

Figure 6-15. Timing Chart When  $D_{01} < D_{11}$



### 6.5.3 External trigger pulse output mode (TPnMD2 to TPnMD0 bits = 010)

In the external trigger pulse output mode, 16-bit timer/event counter P waits for a trigger when the TPnCTL0.TPnCE bit is set to 1. When the valid edge of an external trigger input signal is detected, 16-bit timer/event counter P starts counting, and outputs a PWM waveform from the TOPn1 pin.

Pulses can also be output by generating a software trigger instead of using the external trigger. When using a software trigger, a square wave that has one cycle of the PWM waveform as half its cycle can also be output from the TOPn0 pin.

Figure 6-16. Configuration in External Trigger Pulse Output Mode

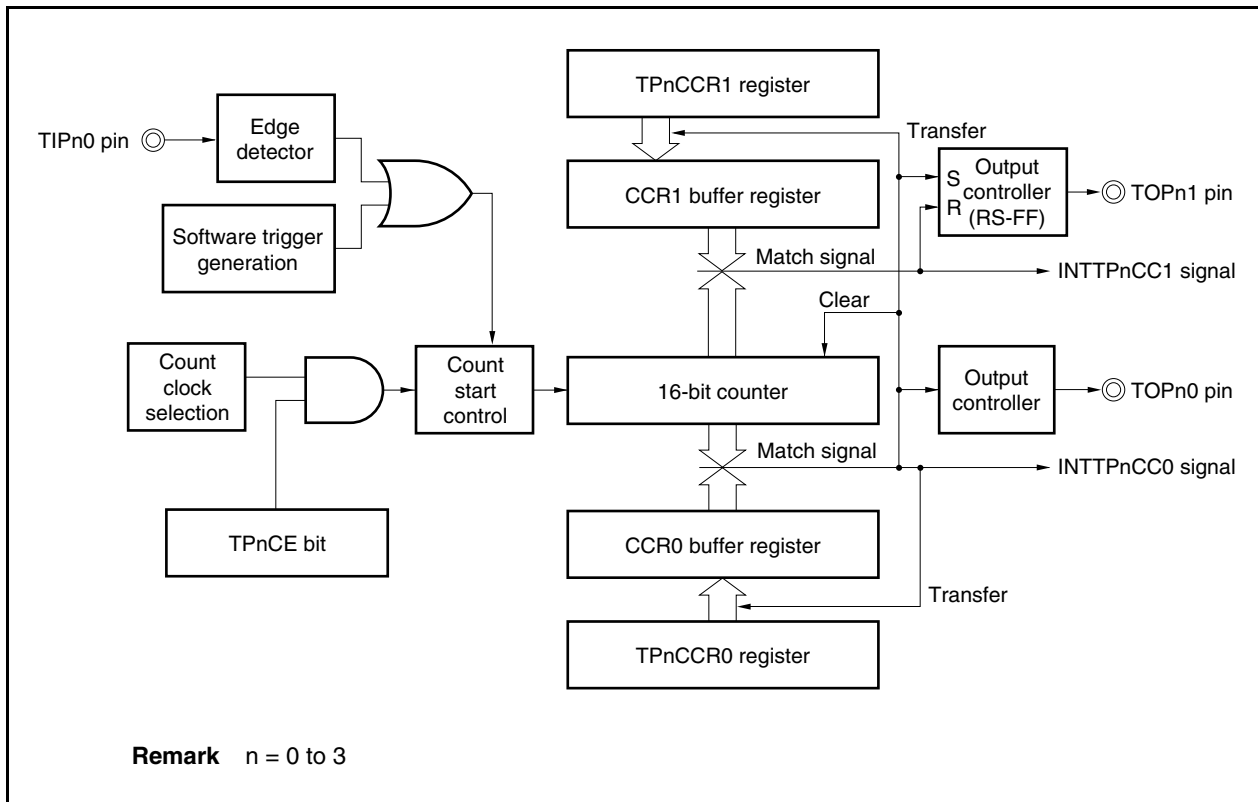
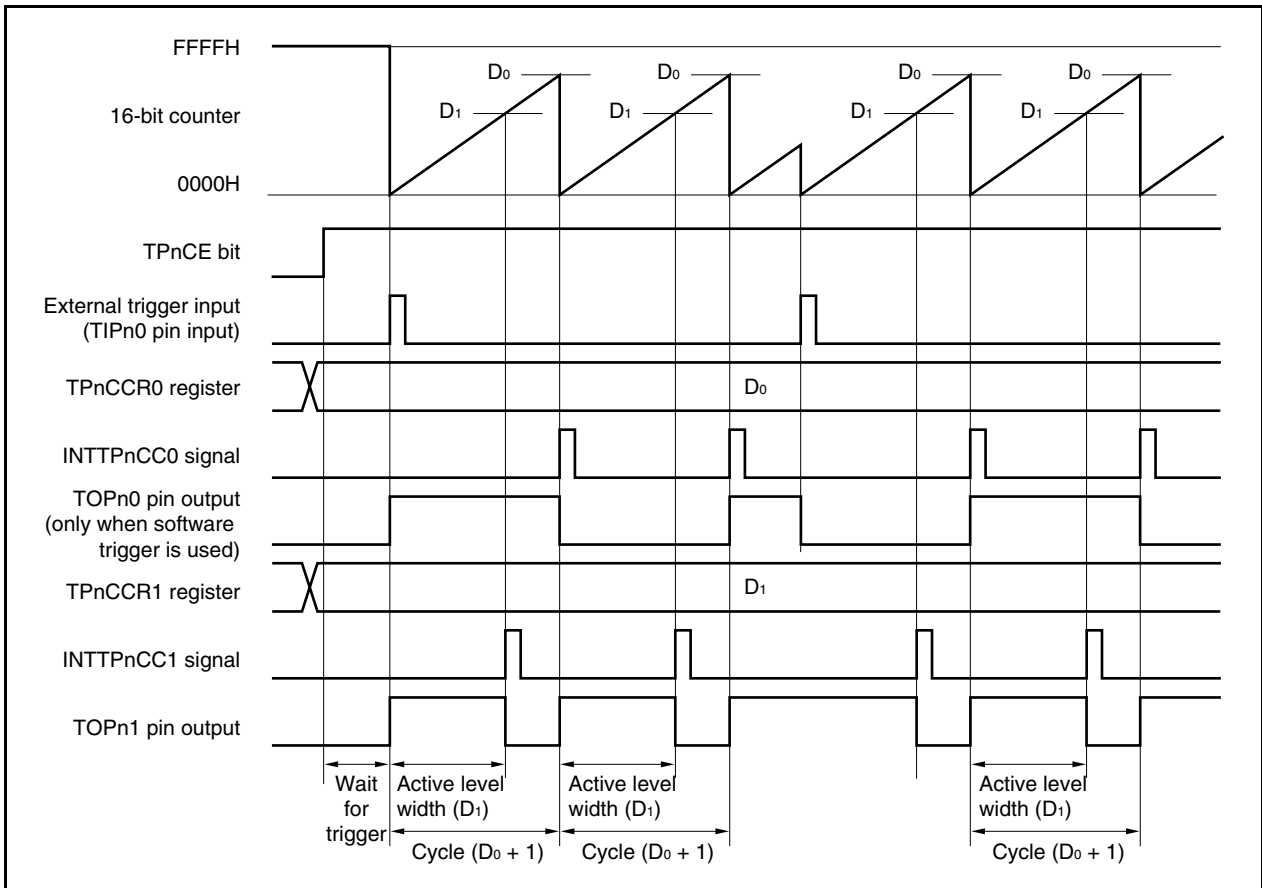




Figure 6-17. Basic Timing in External Trigger Pulse Output Mode



16-bit timer/event counter P waits for a trigger when the TPnCE bit is set to 1. When the trigger is generated, the 16-bit counter is cleared from FFFFH to 0000H, starts counting at the same time, and outputs a PWM waveform from the TOPn1 pin. If the trigger is generated again while the counter is operating, the counter is cleared to 0000H and restarted. (The output of the TOPn0 pin is inverted. The TOPn1 pin outputs a high level regardless of the status (high/low) when a trigger occurs.)

The active level width, cycle, and duty factor of the PWM waveform can be calculated as follows.

$$\text{Active level width} = (\text{Set value of TPnCCR1 register}) \times \text{Count clock cycle}$$

$$\text{Cycle} = (\text{Set value of TPnCCR0 register} + 1) \times \text{Count clock cycle}$$

$$\text{Duty factor} = (\text{Set value of TPnCCR1 register}) / (\text{Set value of TPnCCR0 register} + 1)$$

The compare match request signal INTTPnCC0 is generated when the 16-bit counter counts next time after its count value matches the value of the CCR0 buffer register, and the 16-bit counter is cleared to 0000H. The compare match interrupt request signal INTTPnCC1 is generated when the count value of the 16-bit counter matches the value of the CCR1 buffer register.

The value set to the TPnCCRm register is transferred to the CCRm buffer register when the count value of the 16-bit counter matches the value of the CCRm buffer register and the 16-bit counter is cleared to 0000H.

The valid edge of an external trigger input signal, or setting the software trigger (TPnCTL1.TPnEST bit) to 1 is used as the trigger.

**Remark** n = 0 to 3, m = 0, 1

Figure 6-18. Setting of Registers in External Trigger Pulse Output Mode (1/2)

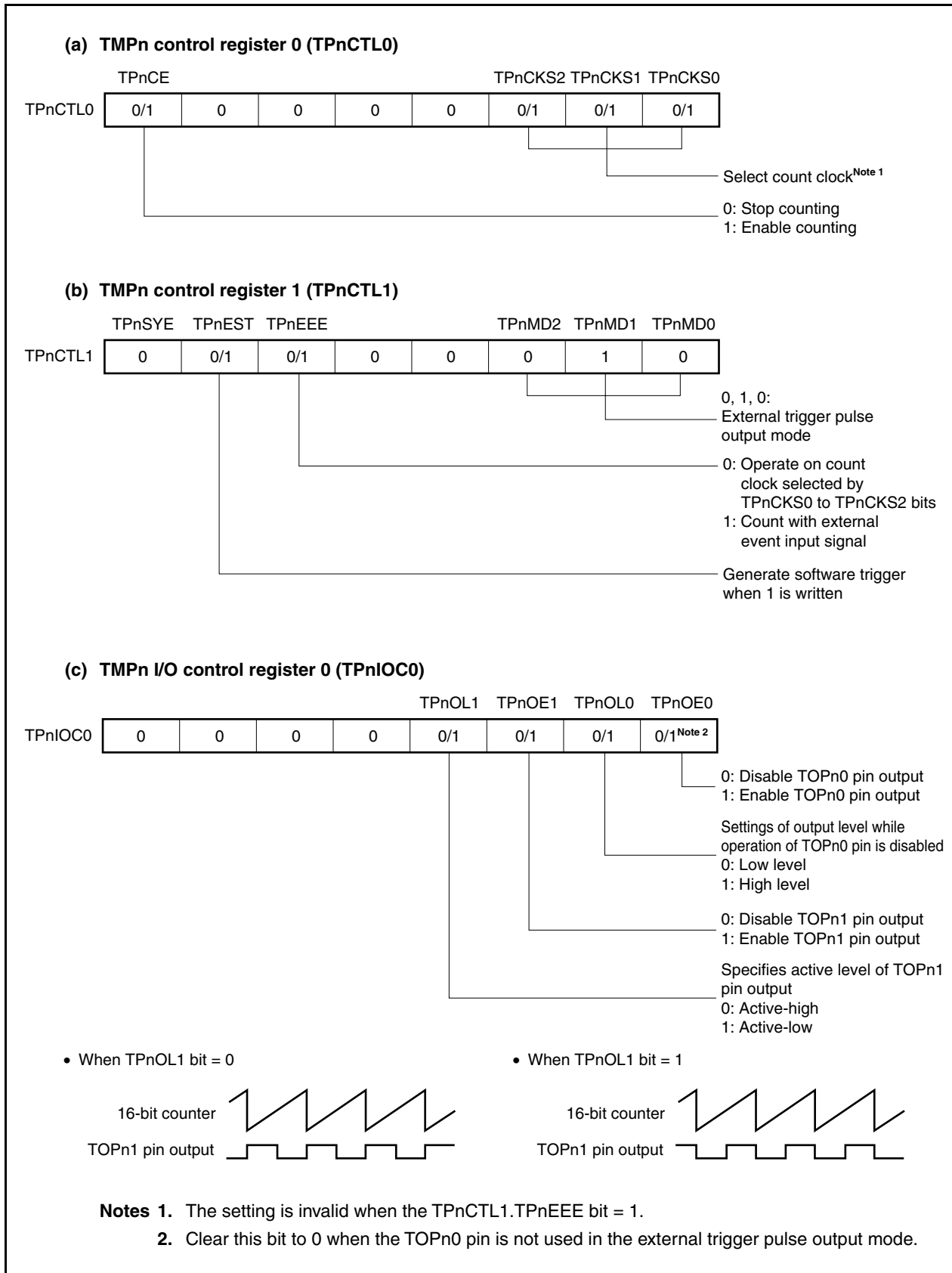
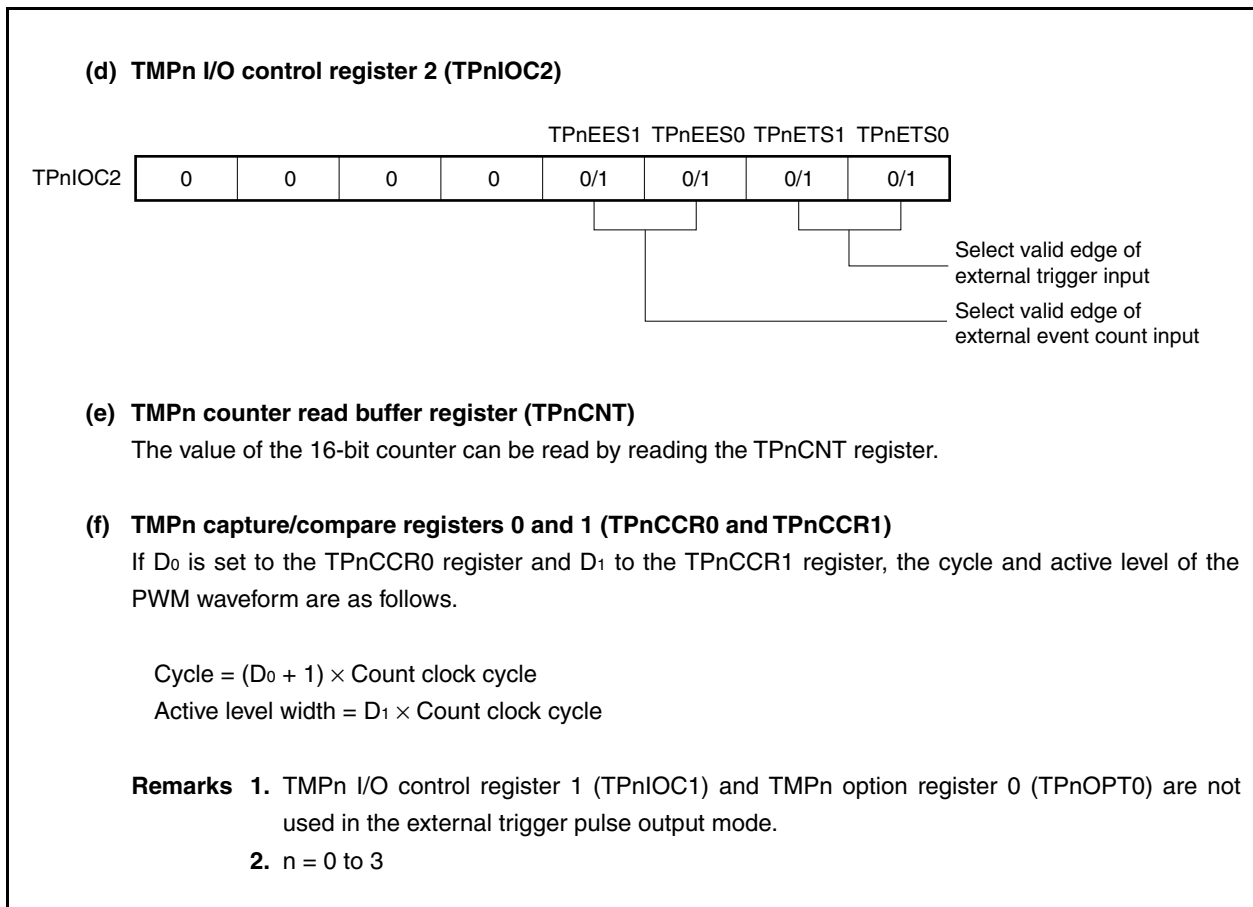


Figure 6-18. Setting of Registers in External Trigger Pulse Output Mode (2/2)



(1) Operation flow in external trigger pulse output mode

Figure 6-19. Software Processing Flow in External Trigger Pulse Output Mode (1/2)

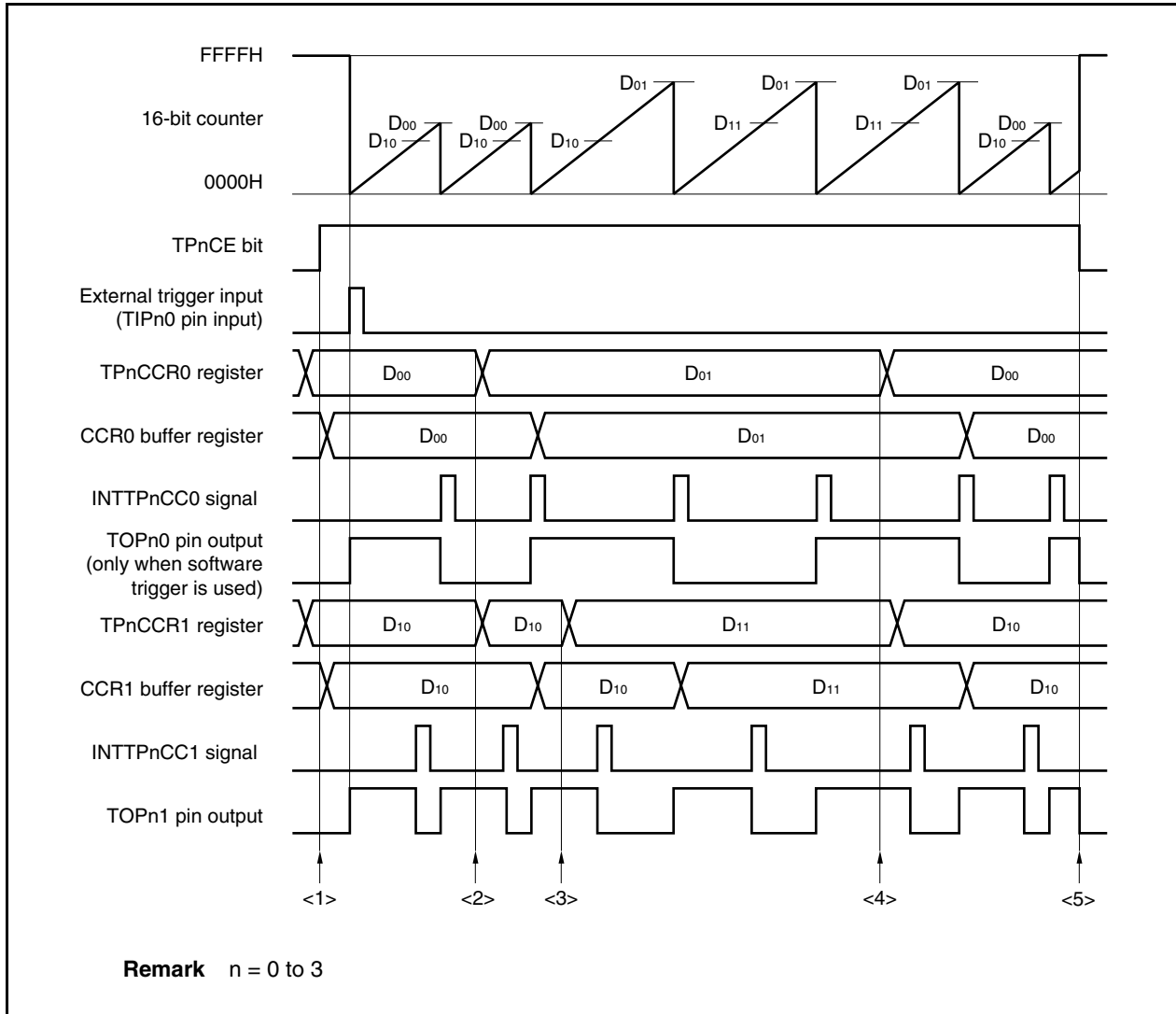
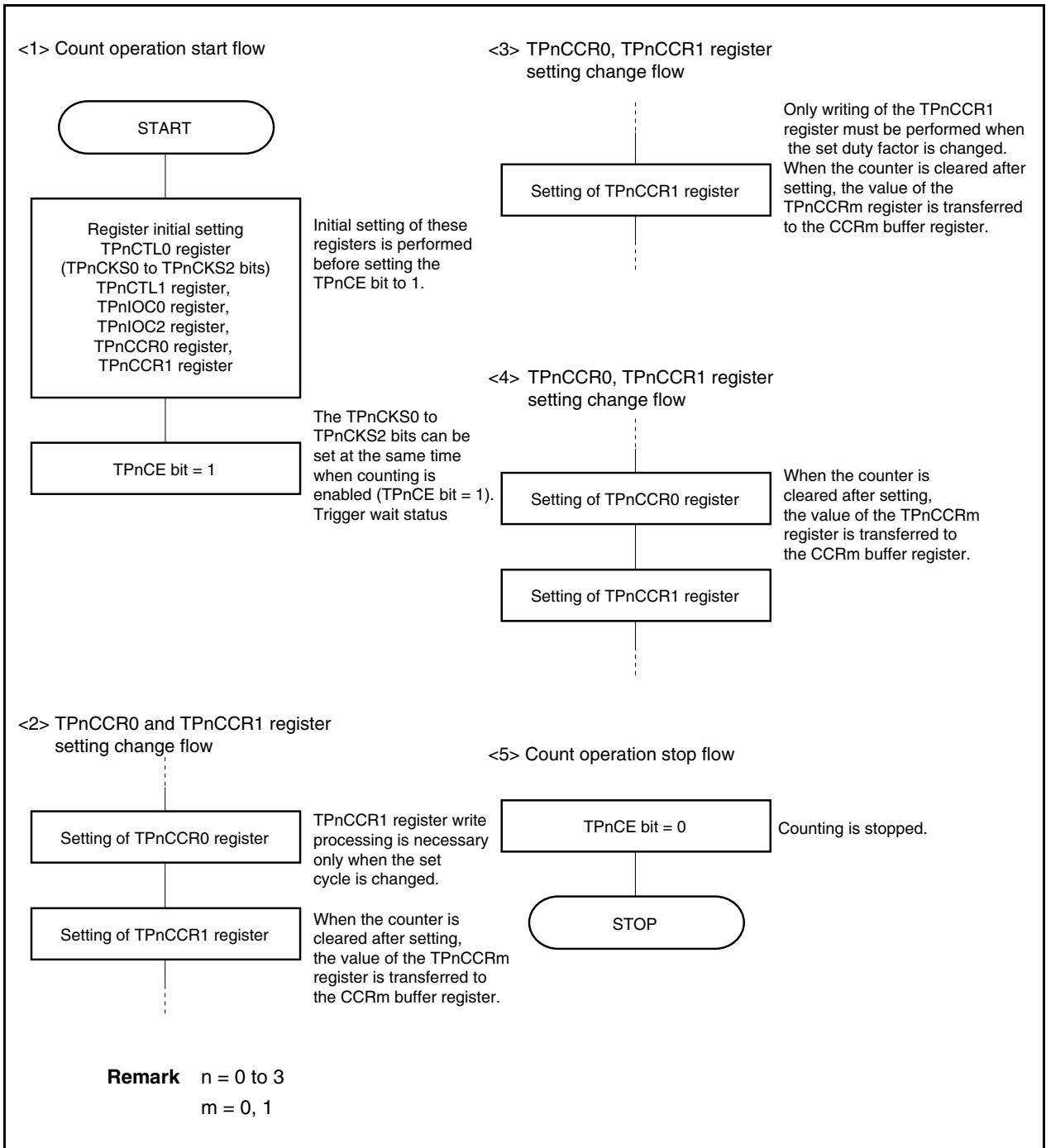


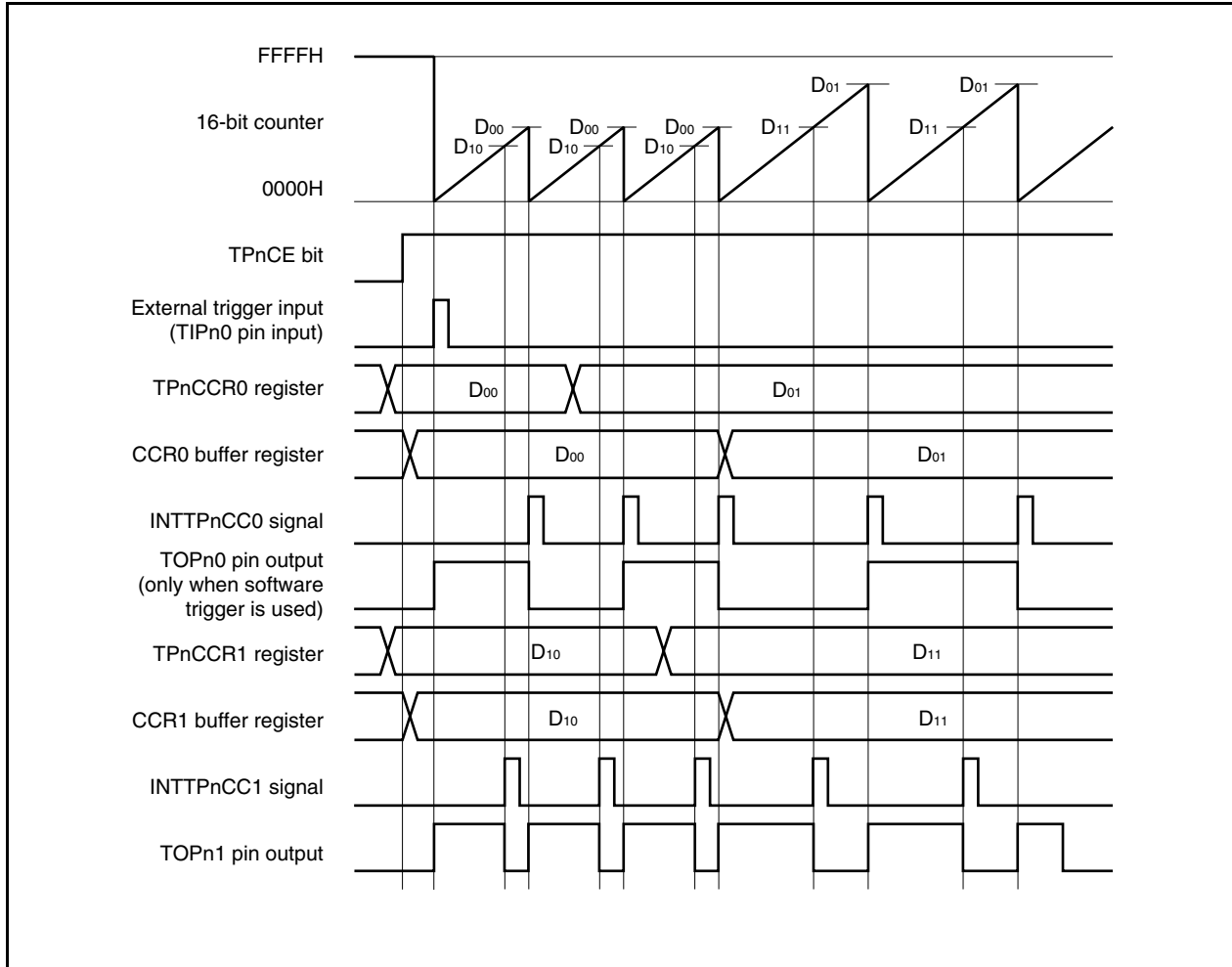
Figure 6-19. Software Processing Flow in External Trigger Pulse Output Mode (2/2)



(2) External trigger pulse output mode operation timing

(a) Note on changing pulse width during operation

To change the PWM waveform while the counter is operating, write the TPnCCR1 register last.  
 Rewrite the TPnCCRm register after writing the TPnCCR1 register after the INTTPnCC0 signal is detected.



In order to transfer data from the TPnCCRm register to the CCRm buffer register, the TPnCCR1 register must be written.

To change both the cycle and active level width of the PWM waveform at this time, first set the cycle to the TPnCCR0 register and then set the active level width to the TPnCCR1 register.

To change only the cycle of the PWM waveform, first set the cycle to the TPnCCR0 register, and then write the same value to the TPnCCR1 register.

To change only the active level width (duty factor) of the PWM waveform, only the TPnCCR1 register has to be set.

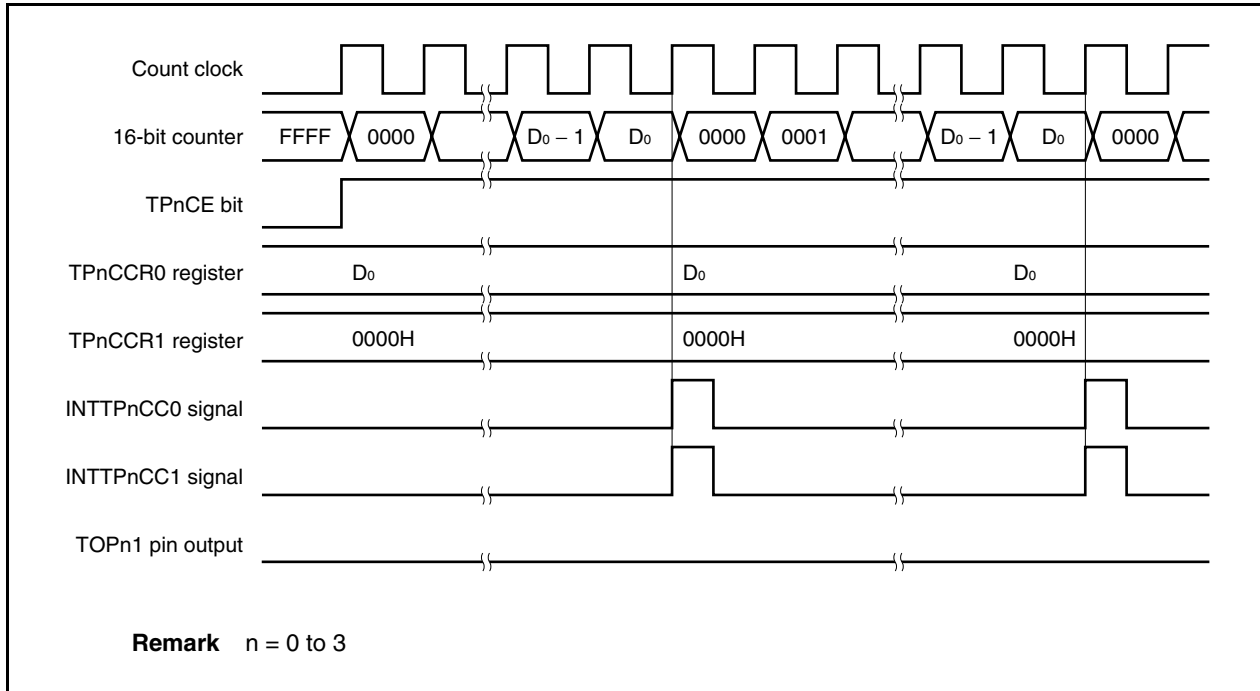
After data is written to the TPnCCR1 register, the value written to the TPnCCRm register is transferred to the CCRm buffer register in synchronization with clearing of the 16-bit counter, and is used as the value compared with the 16-bit counter.

To write the TPnCCR0 or TPnCCR1 register again after writing the TPnCCR1 register once, do so after the INTTPnCC0 signal is generated. Otherwise, the value of the CCRm buffer register may become undefined because the timing of transferring data from the TPnCCRm register to the CCRm buffer register conflicts with writing the TPnCCRm register.

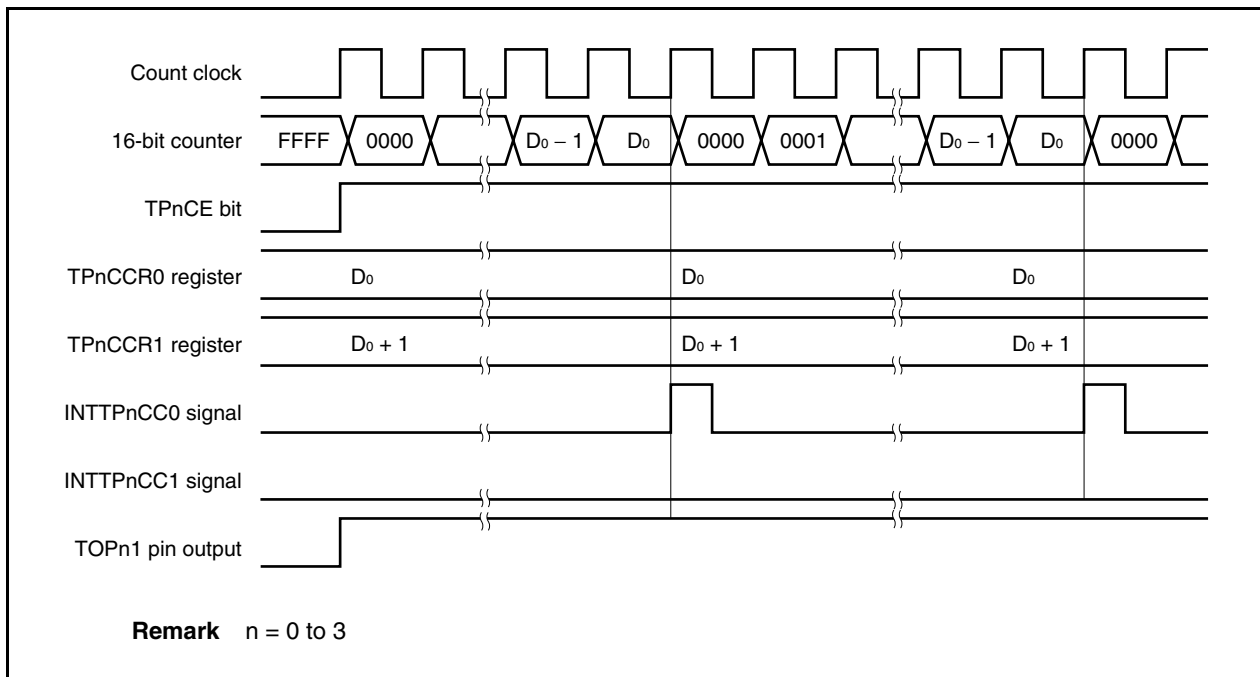
**Remark** n = 0 to 3  
m = 0, 1

**(b) 0%/100% output of PWM waveform**

To output a 0% waveform, set the TPnCCR1 register to 0000H. If the set value of the TPnCCR0 register is FFFFH, the INTTPnCC1 signal is generated periodically.



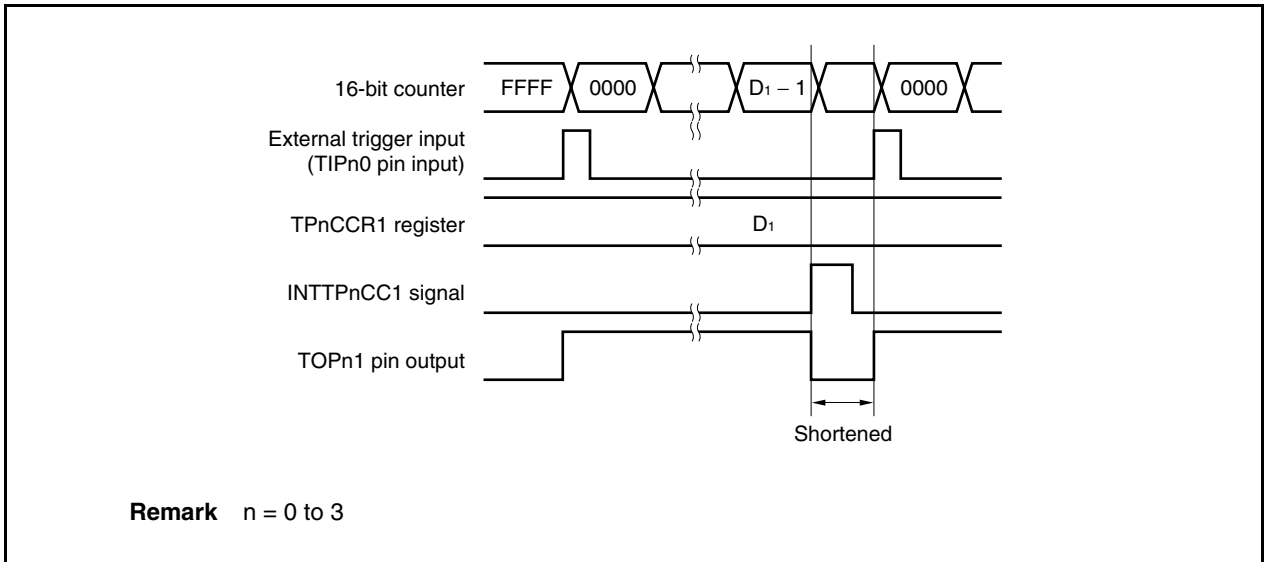
To output a 100% waveform, set a value of (set value of TPnCCR0 register + 1) to the TPnCCR1 register. If the set value of the TPnCCR0 register is FFFFH, 100% output cannot be produced.



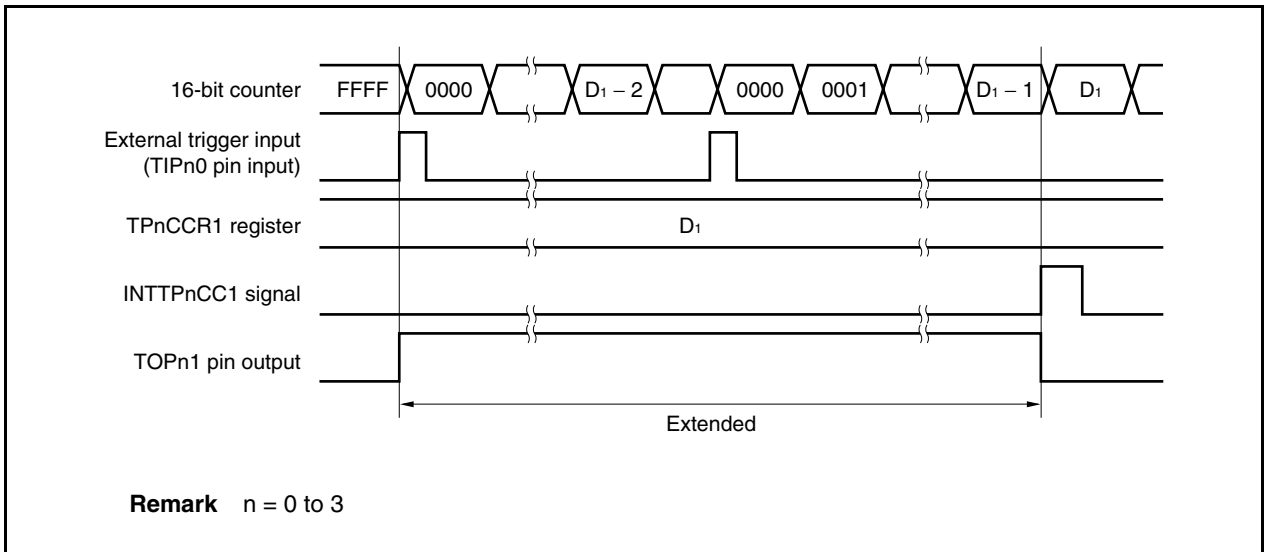


**(c) Conflict between trigger detection and match with TPnCCR1 register**

If the trigger is detected immediately after the INTTPnCC1 signal is generated, the 16-bit counter is immediately cleared to 0000H, the output signal of the TOPn1 pin is asserted, and the counter continues counting. Consequently, the inactive period of the PWM waveform is shortened.

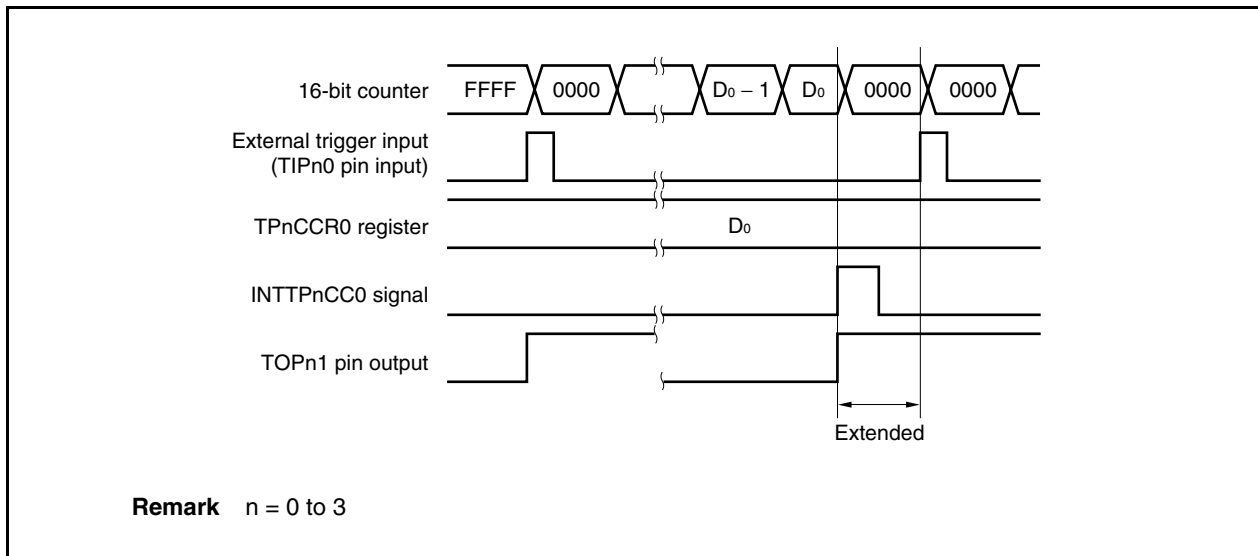


If the trigger is detected immediately before the INTTPnCC1 signal is generated, the INTTPnCC1 signal is not generated, and the 16-bit counter is cleared to 0000H and continues counting. The output signal of the TOPn1 pin remains active. Consequently, the active period of the PWM waveform is extended.

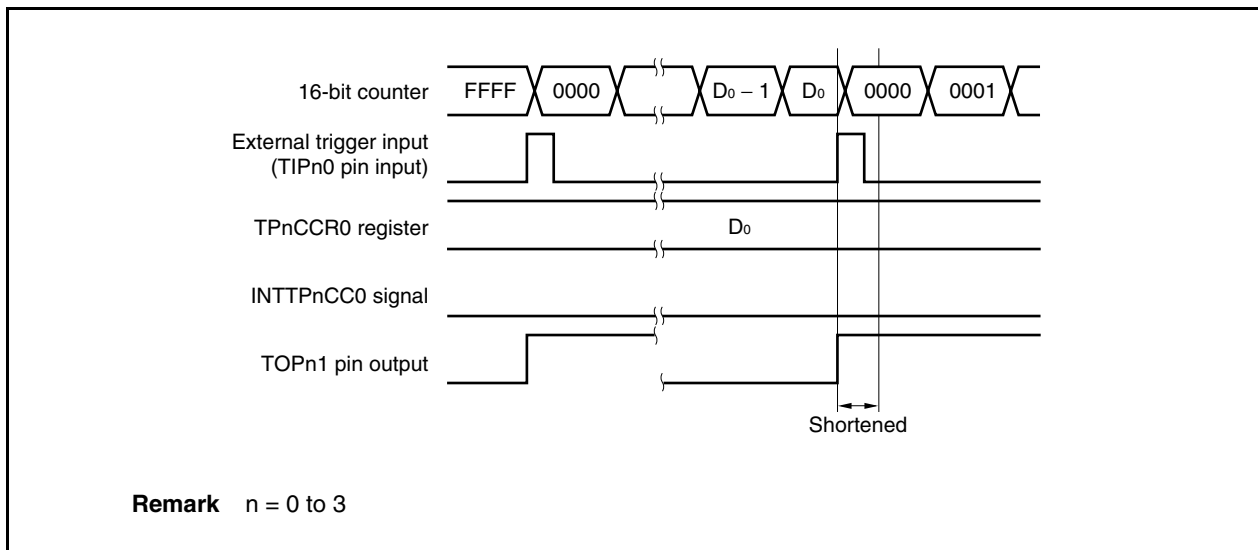


**(d) Conflict between trigger detection and match with TPnCCR0 register**

If the trigger is detected immediately after the INTTPnCC0 signal is generated, the 16-bit counter is cleared to 0000H and continues counting up. Therefore, the active period of the TOPn1 pin is extended by time from generation of the INTTPnCC0 signal to trigger detection.

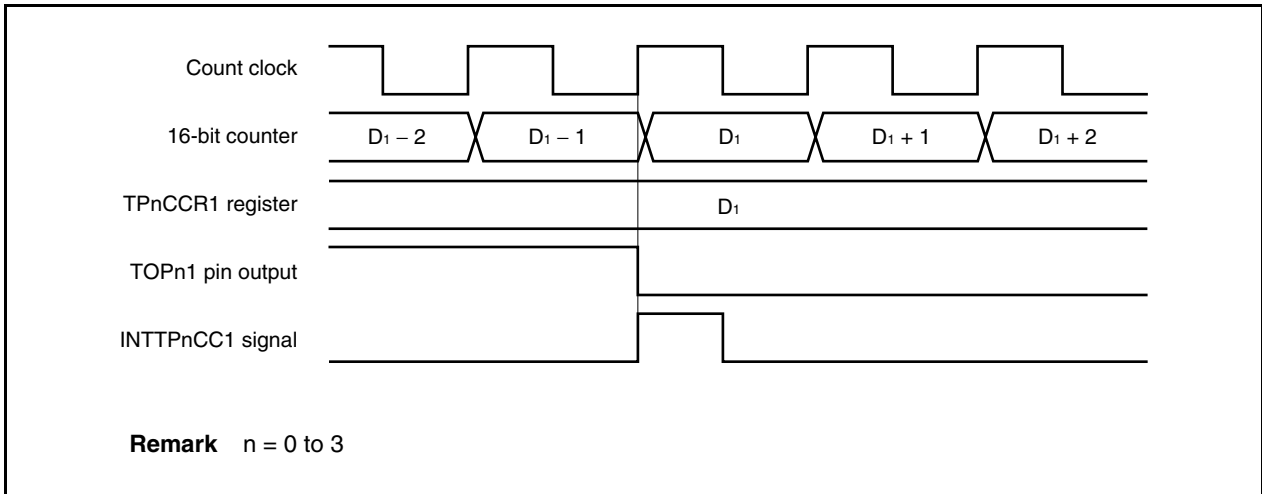


If the trigger is detected immediately before the INTTPnCC0 signal is generated, the INTTPnCC0 signal is not generated. The 16-bit counter is cleared to 0000H, the TOPn1 pin is asserted, and the counter continues counting. Consequently, the inactive period of the PWM waveform is shortened.



**(e) Generation timing of compare match interrupt request signal (INTTPnCC1)**

The timing of generation of the INTTPnCC1 signal in the external trigger pulse output mode differs from the timing of other INTTPnCC1 signals; the INTTPnCC1 signal is generated when the count value of the 16-bit counter matches the value of the TPnCCR1 register.



Usually, the INTTPnCC1 signal is generated in synchronization with the next count up, after the count value of the 16-bit counter matches the value of the TPnCCR1 register.

In the external trigger pulse output mode, however, it is generated one clock earlier. This is because the timing is changed to match the timing of changing the output signal of the TOPn1 pin.

#### 6.5.4 One-shot pulse output mode (TPnMD2 to TPnMD0 bits = 011)

In the one-shot pulse output mode, 16-bit timer/event counter P waits for a trigger when the TPnCTL0.TPnCE bit is set to 1. When the valid edge of an external trigger input is detected, 16-bit timer/event counter P starts counting, and outputs a one-shot pulse from the TOPn1 pin.

Instead of the external trigger, a software trigger can also be generated to output the pulse. When the software trigger is used, the TOPn0 pin outputs the active level while the 16-bit counter is counting, and the inactive level when the counter is stopped (waiting for a trigger).

Figure 6-20. Configuration in One-Shot Pulse Output Mode

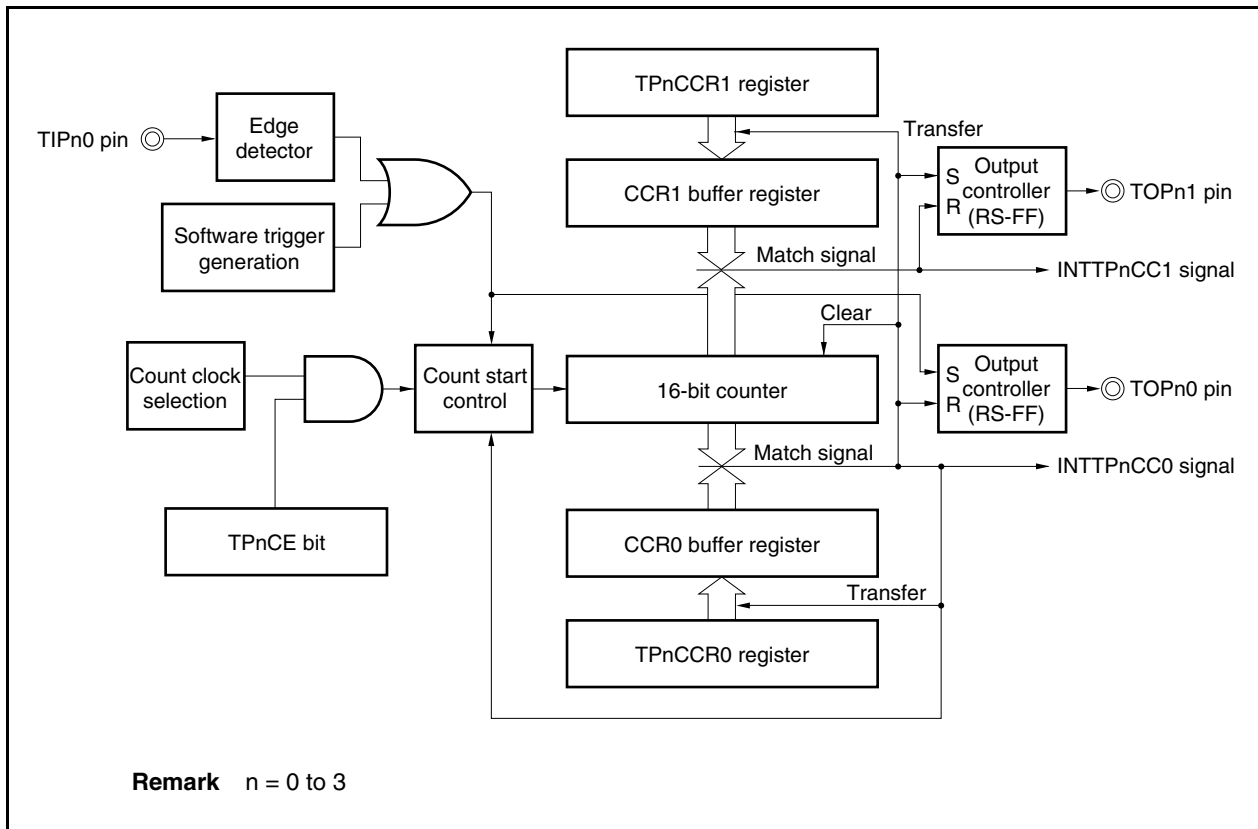
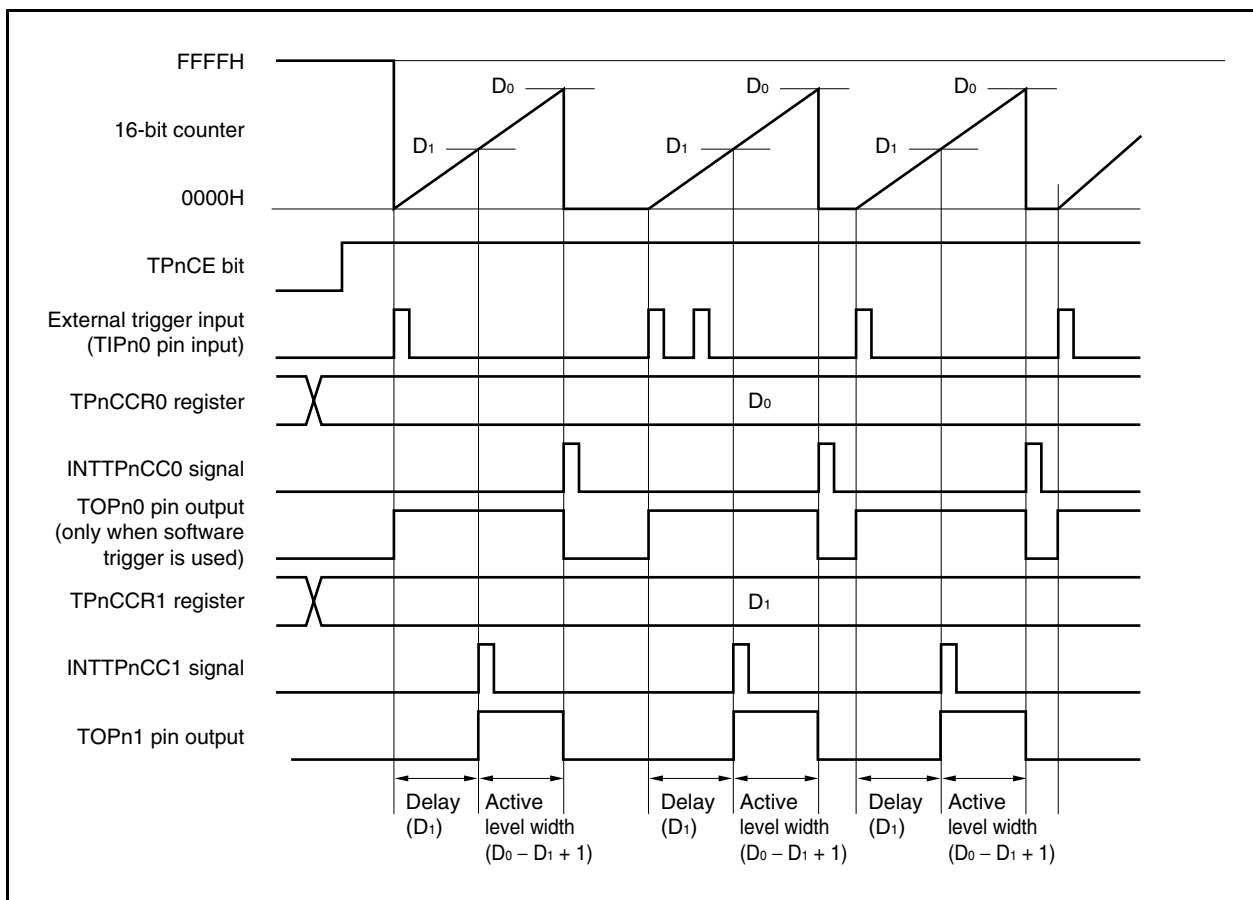


Figure 6-21. Basic Timing in One-Shot Pulse Output Mode



When the TPnCE bit is set to 1, 16-bit timer/event counter P waits for a trigger. When the trigger is generated, the 16-bit counter is cleared from FFFFH to 0000H, starts counting, and outputs a one-shot pulse from the TOPn1 pin. After the one-shot pulse is output, the 16-bit counter is set to FFFFH, stops counting, and waits for a trigger. If a trigger is generated again while the one-shot pulse is being output, it is ignored.

The output delay period and active level width of the one-shot pulse can be calculated as follows.

$$\text{Output delay period} = (\text{Set value of TPnCCR1 register}) \times \text{Count clock cycle}$$

$$\text{Active level width} = (\text{Set value of TPnCCR0 register} - \text{Set value of TPnCCR1 register} + 1) \times \text{Count clock cycle}$$

The compare match interrupt request signal INTTPnCC0 is generated when the 16-bit counter counts after its count value matches the value of the CCR0 buffer register. The compare match interrupt request signal INTTPnCC1 is generated when the count value of the 16-bit counter matches the value of the CCR1 buffer register.

The valid edge of an external trigger input or setting the software trigger (TPnCTL1.TPnEST bit) to 1 is used as the trigger.

**Remark** n = 0 to 3  
m = 0, 1

Figure 6-22. Setting of Registers in One-Shot Pulse Output Mode (1/2)

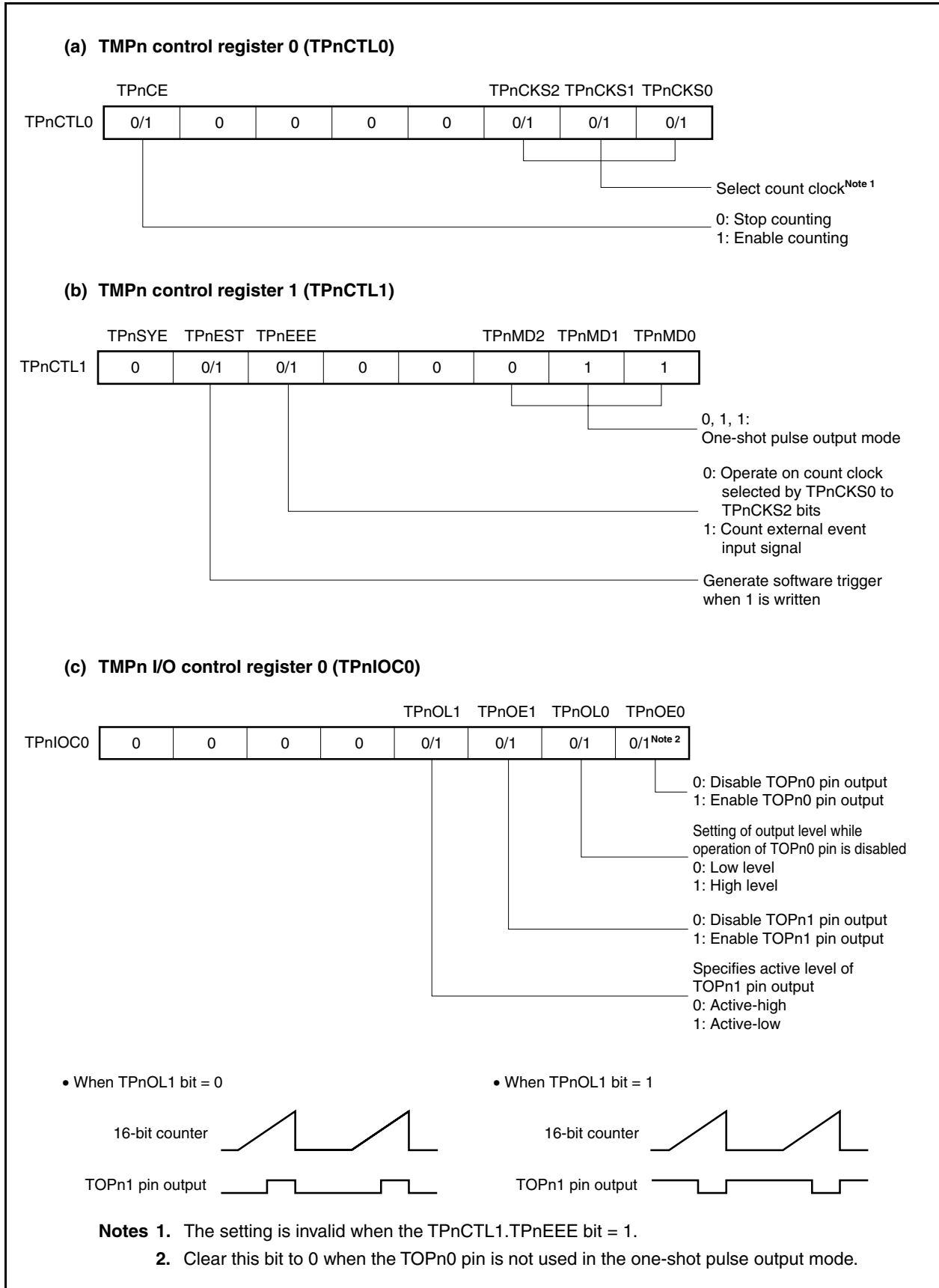
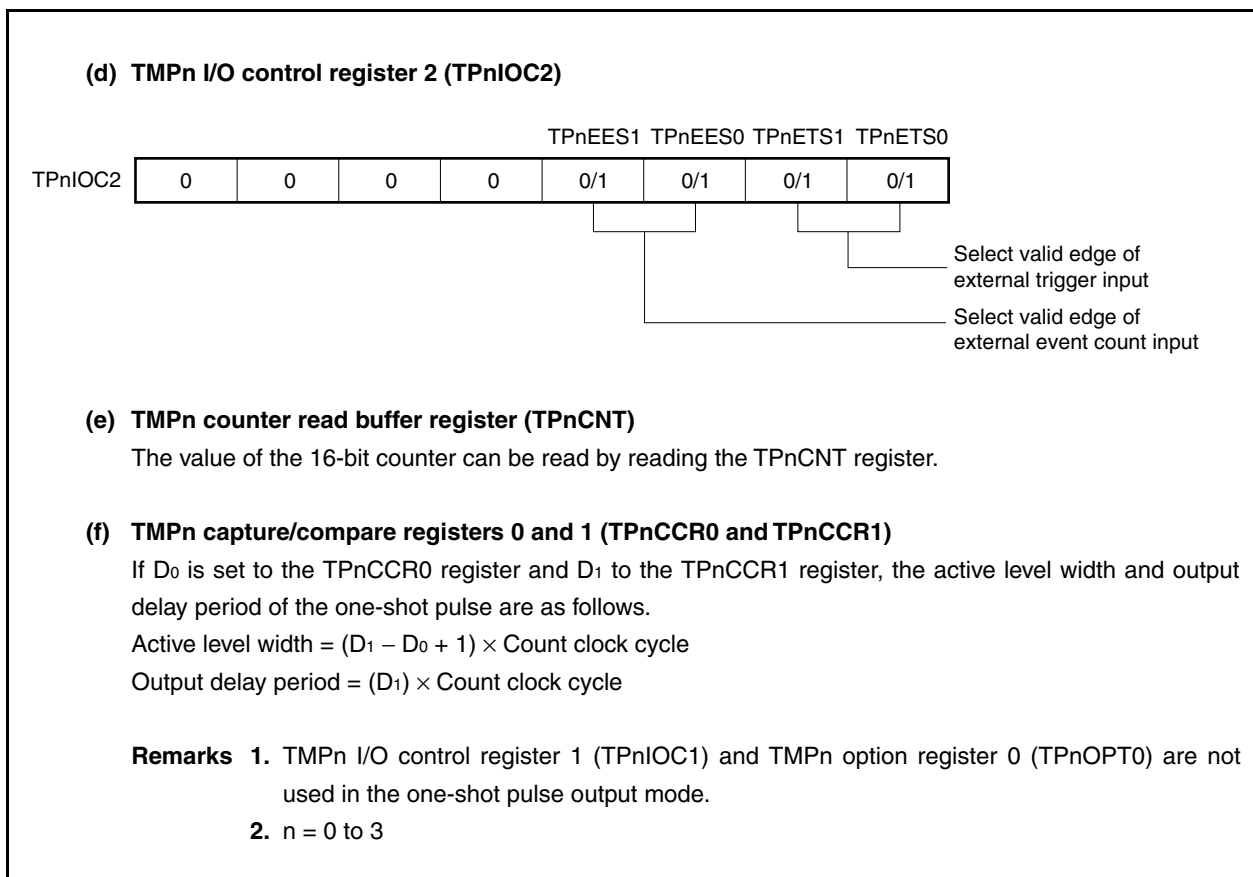
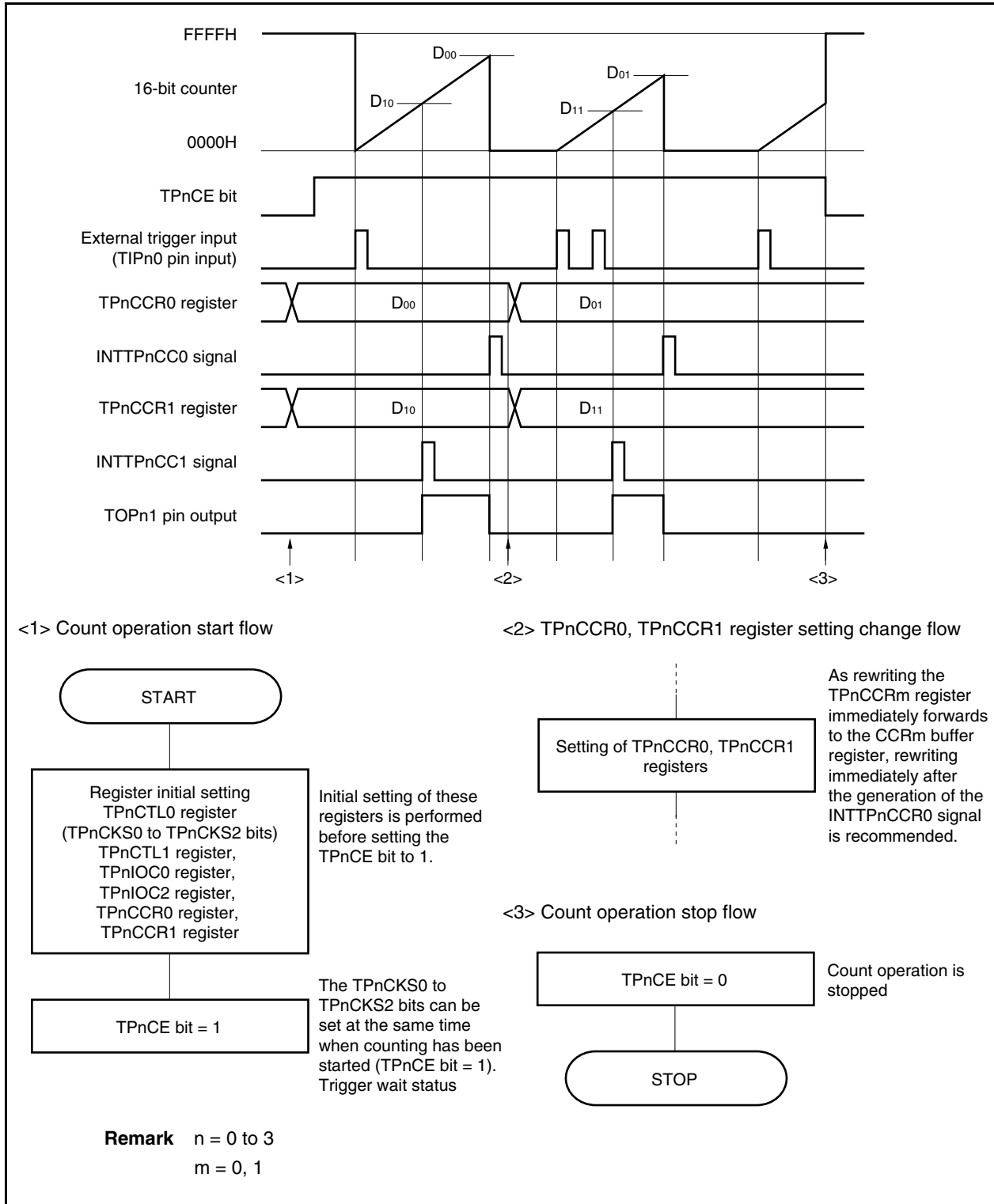


Figure 6-22. Setting of Registers in One-Shot Pulse Output Mode (2/2)



(1) Operation flow in one-shot pulse output mode

Figure 6-23. Software Processing Flow in One-Shot Pulse Output Mode



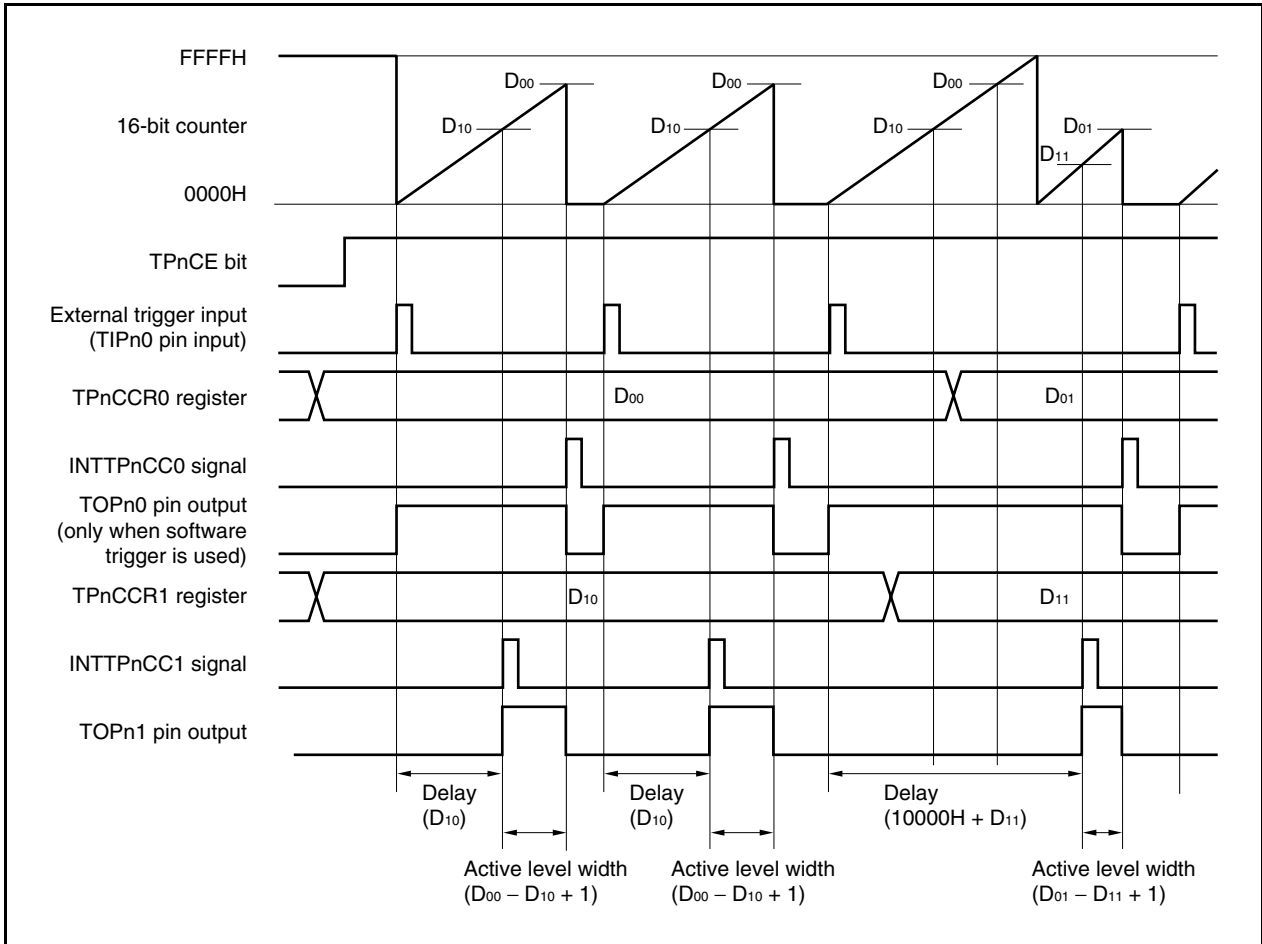


## (2) Operation timing in one-shot pulse output mode

## (a) Note on rewriting TPnCCRm register

To change the set value of the TPnCCRm register to a smaller value, stop counting once, and then change the set value.

If the value of the TPnCCRm register is rewritten to a smaller value during counting, the 16-bit counter may overflow.



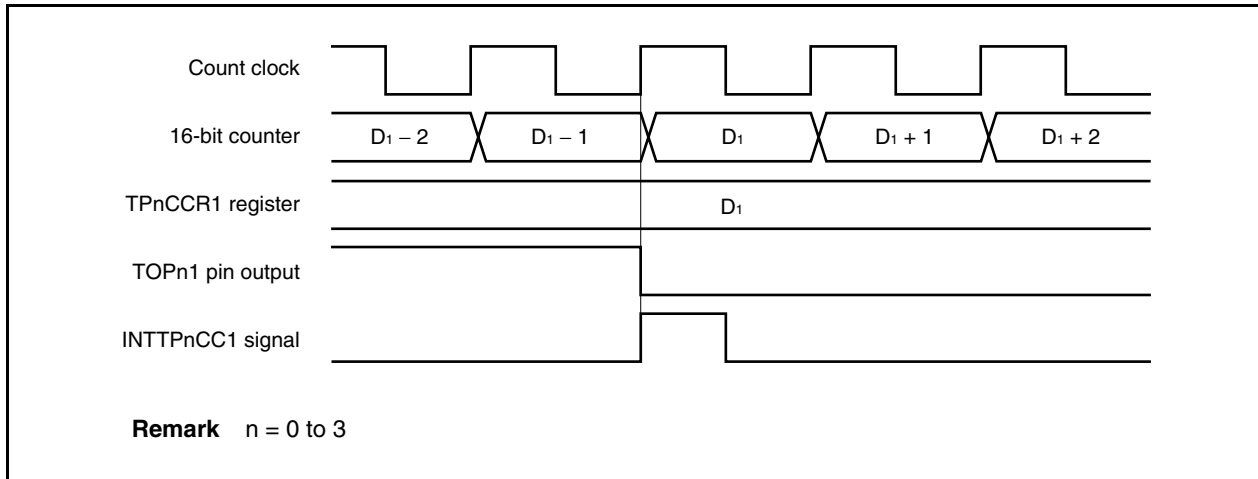
When the TPnCCR0 register is rewritten from D<sub>00</sub> to D<sub>01</sub> and the TPnCCR1 register from D<sub>10</sub> to D<sub>11</sub> where D<sub>00</sub> > D<sub>01</sub> and D<sub>10</sub> > D<sub>11</sub>, if the TPnCCR1 register is rewritten when the count value of the 16-bit counter is greater than D<sub>11</sub> and less than D<sub>10</sub> and if the TPnCCR0 register is rewritten when the count value is greater than D<sub>01</sub> and less than D<sub>00</sub>, each set value is reflected as soon as the register has been rewritten and compared with the count value. The counter counts up to FFFFH and then counts up again from 0000H. When the count value matches D<sub>11</sub>, the counter generates the INTTPnCC1 signal and asserts the TOPn1 pin. When the count value matches D<sub>01</sub>, the counter generates the INTTPnCC0 signal, deasserts the TOPn1 pin, and stops counting.

Therefore, the counter may output a pulse with a delay period or active period different from that of the one-shot pulse that is originally expected.

**Remark** n = 0 to 3  
m = 0, 1

**(b) Generation timing of compare match interrupt request signal (INTTPnCC1)**

The generation timing of the INTTPnCC1 signal in the one-shot pulse output mode is different from other INTTPnCC1 signals; the INTTPnCC1 signal is generated when the count value of the 16-bit counter matches the value of the TPnCCR1 register.



Usually, the INTTPnCC1 signal is generated when the 16-bit counter counts up next time after its count value matches the value of the TPnCCR1 register.

In the one-shot pulse output mode, however, it is generated one clock earlier. This is because the timing is changed to match the change timing of the TOPn1 pin.

**Remark**  $n = 0$  to 3

**6.5.5 PWM output mode (TPnMD2 to TPnMD0 bits = 100)**

In the PWM output mode, a PWM waveform is output from the TOPn1 pin when the TPnCTL0.TPnCE bit is set to 1. In addition, a pulse with one cycle of the PWM waveform as half its cycle is output from the TOPn0 pin.

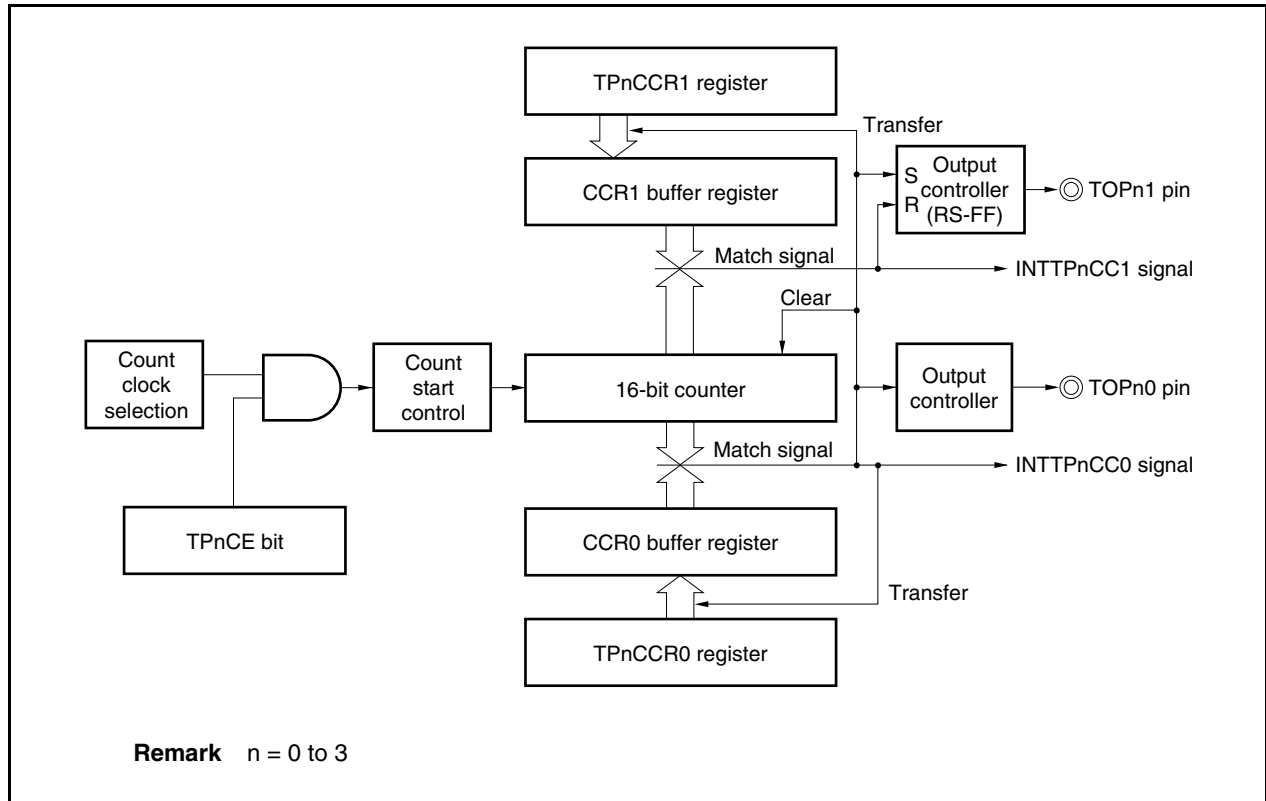
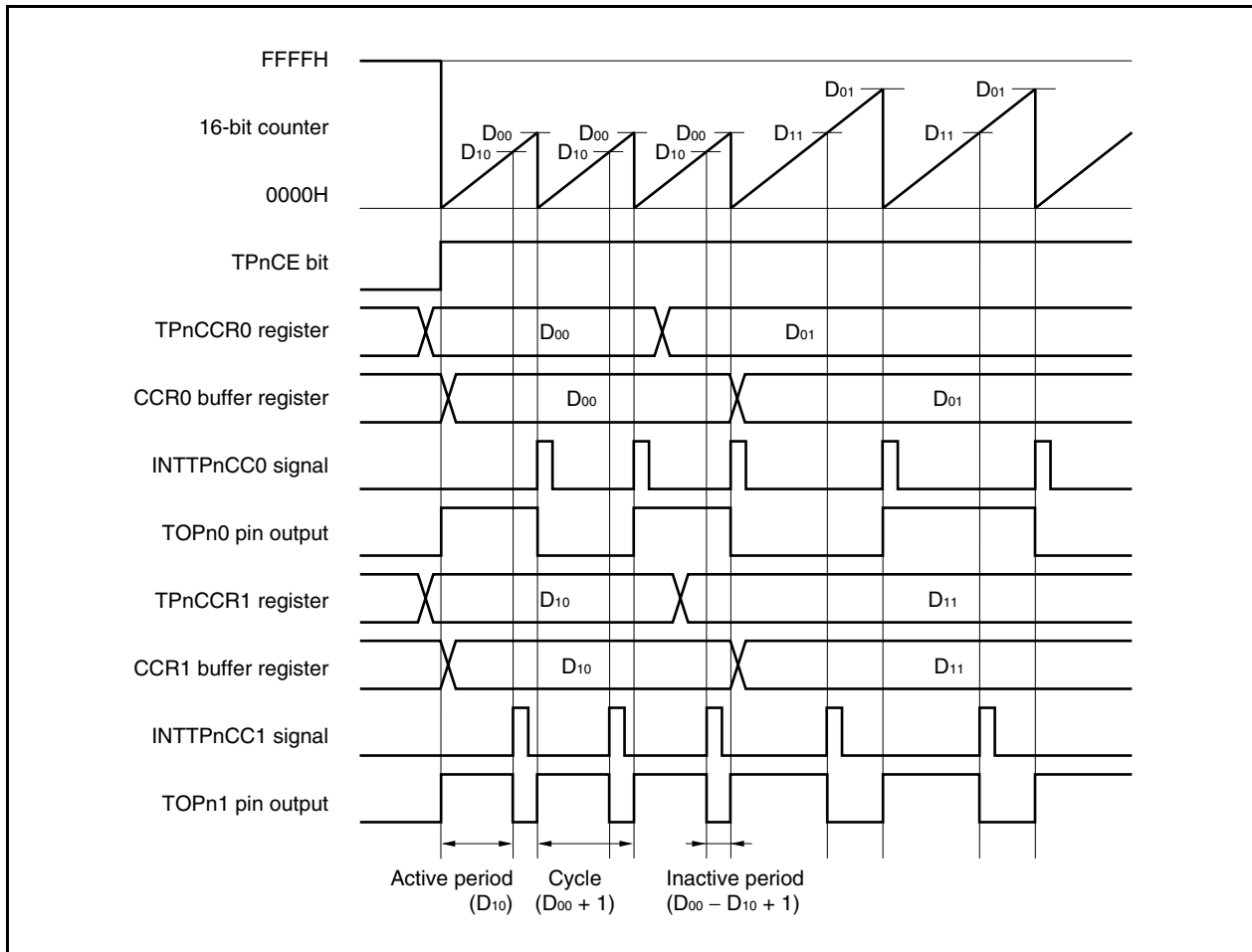
**Figure 6-24. Configuration in PWM Output Mode**

Figure 6-25. Basic Timing in PWM Output Mode



When the TPnCE bit is set to 1, the 16-bit counter is cleared from FFFFH to 0000H, starts counting, and outputs a PWM waveform from the TOPn1 pin.

The active level width, cycle, and duty factor of the PWM waveform can be calculated as follows.

$$\text{Active level width} = (\text{Set value of TPnCCR1 register}) \times \text{Count clock cycle}$$

$$\text{Cycle} = (\text{Set value of TPnCCR0 register} + 1) \times \text{Count clock cycle}$$

$$\text{Duty factor} = (\text{Set value of TPnCCR1 register}) / (\text{Set value of TPnCCR0 register} + 1)$$

The PWM waveform can be changed by rewriting the TPnCCRm register while the counter is operating. The newly written value is reflected when the count value of the 16-bit counter matches the value of the CCR0 buffer register and the 16-bit counter is cleared to 0000H.

The compare match interrupt request signal INTTPnCC0 is generated when the 16-bit counter counts next time after its count value matches the value of the CCR0 buffer register, and the 16-bit counter is cleared to 0000H. The compare match interrupt request signal INTTPnCC1 is generated when the count value of the 16-bit counter matches the value of the CCR1 buffer register.

The value set to the TPnCCRm register is transferred to the CCRm buffer register when the count value of the 16-bit counter matches the value of the CCRm buffer register and the 16-bit counter is cleared to 0000H.

**Remark** n = 0 to 3, m = 0, 1

Figure 6-26. Setting of Registers in PWM Output Mode (1/2)

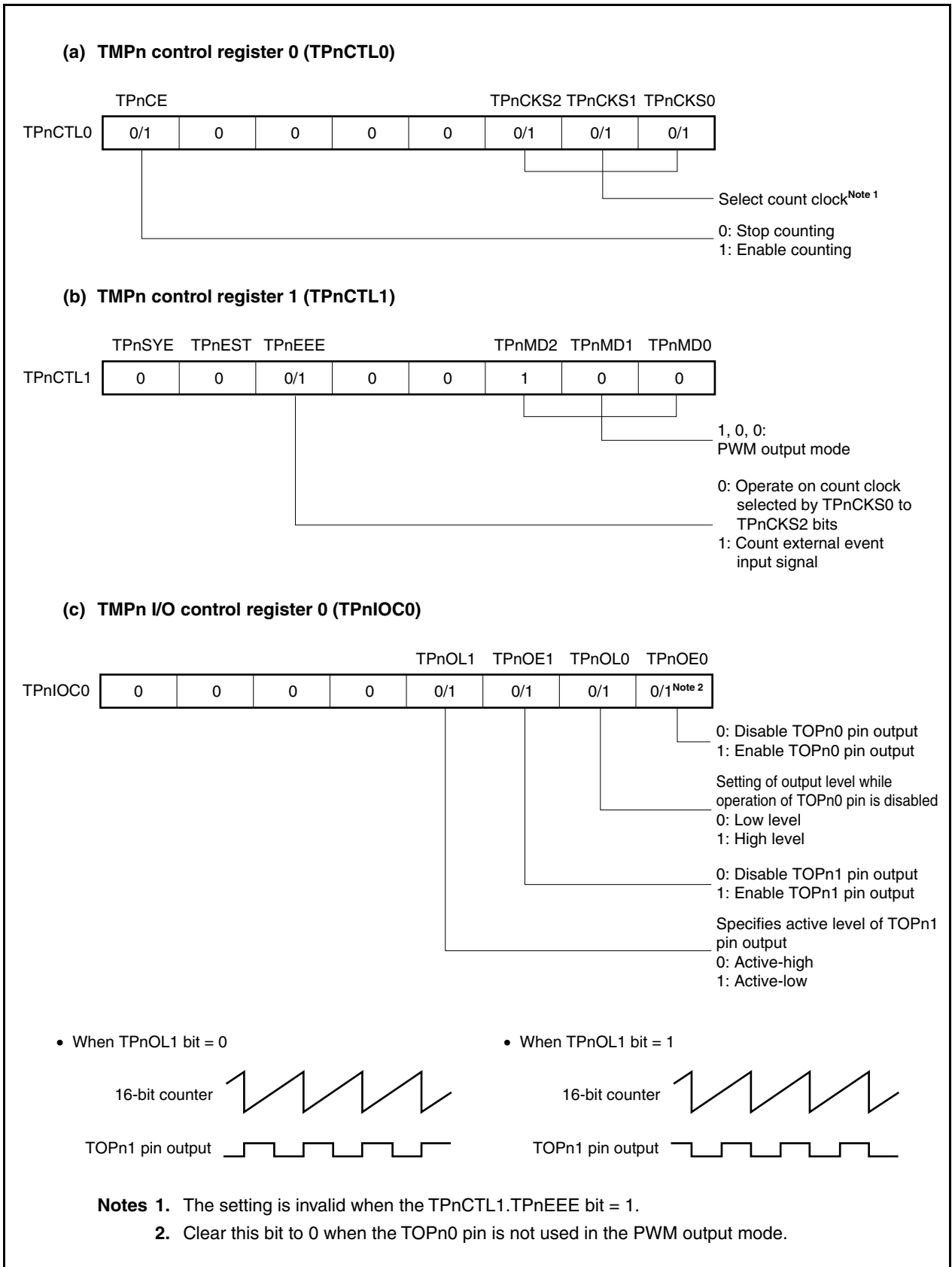
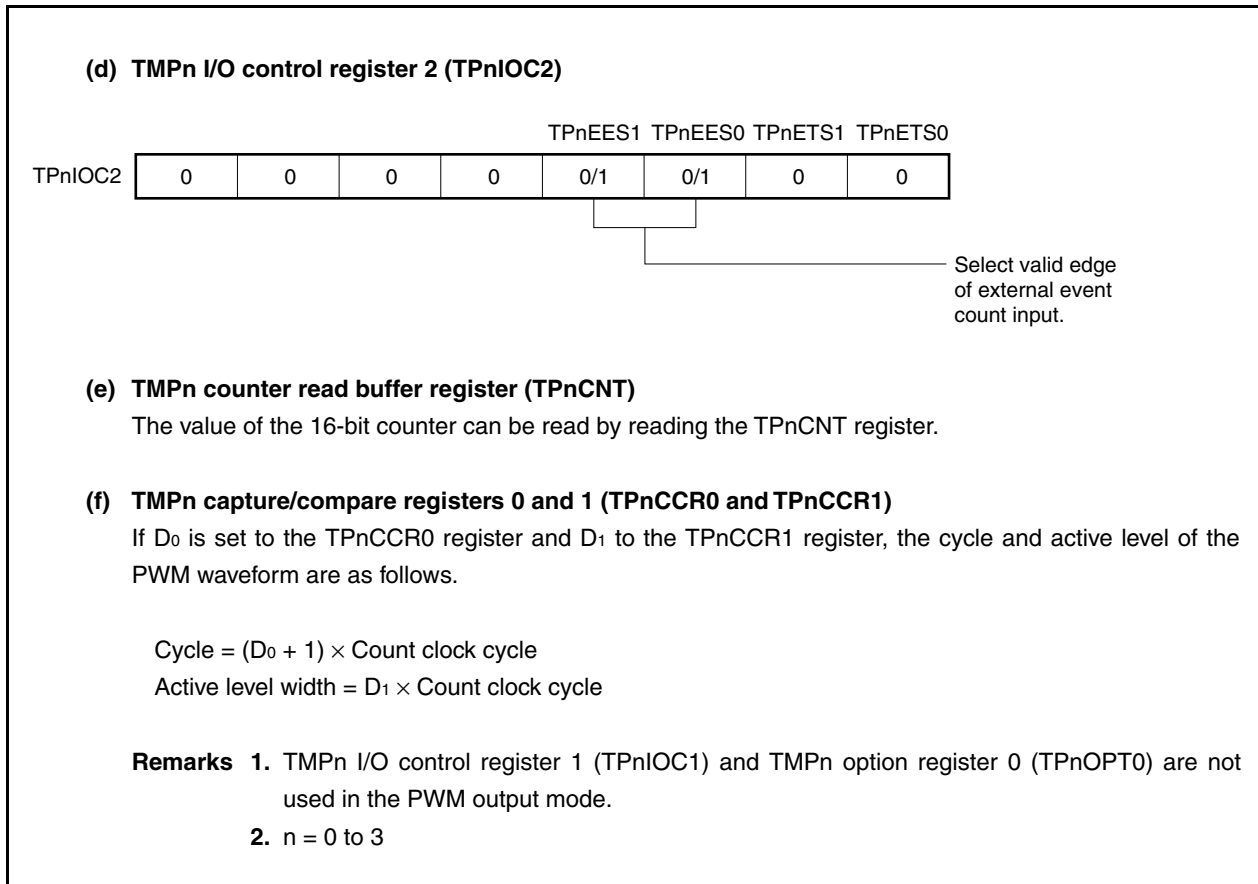


Figure 6-26. Register Setting in PWM Output Mode (2/2)



(1) Operation flow in PWM output mode

Figure 6-27. Software Processing Flow in PWM Output Mode (1/2)

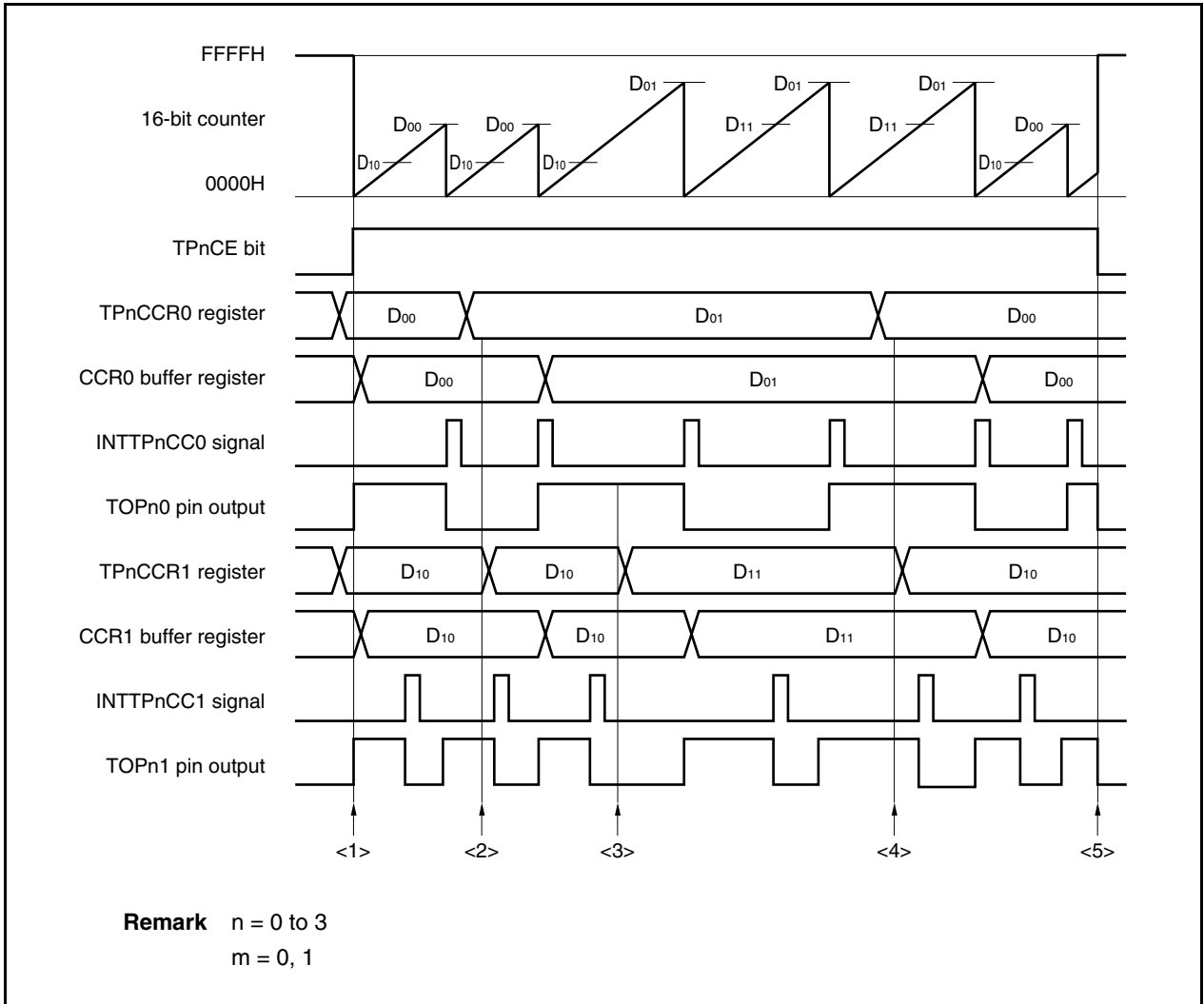
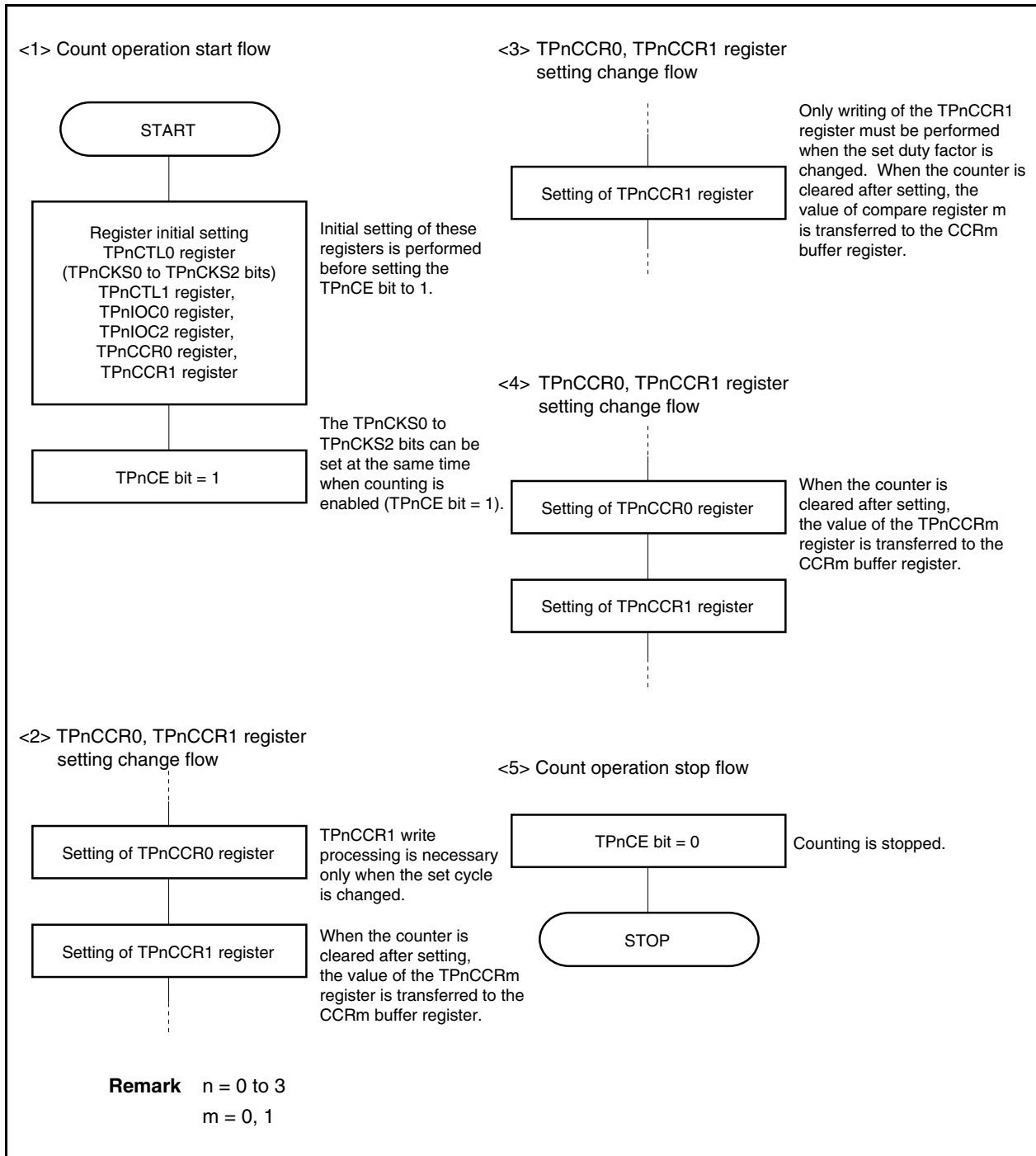


Figure 6-27. Software Processing Flow in PWM Output Mode (2/2)

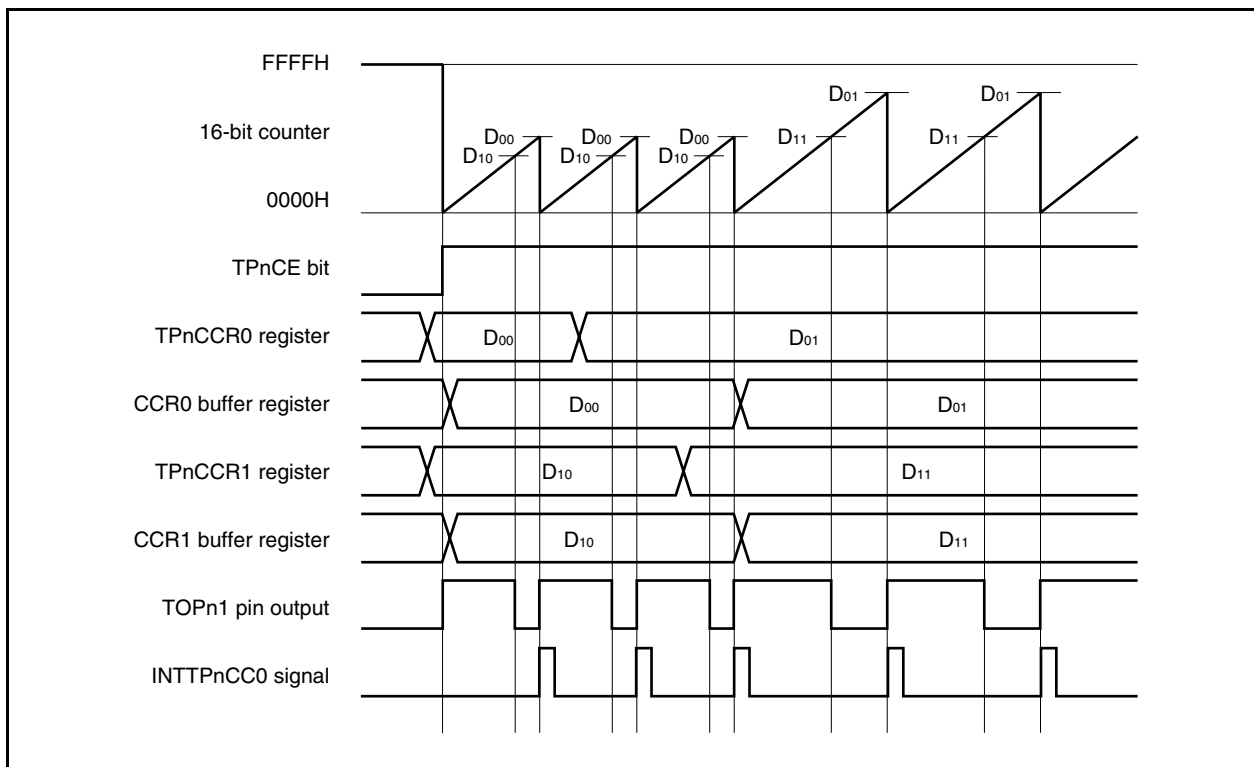




**(2) PWM output mode operation timing****(a) Changing pulse width during operation**

To change the PWM waveform while the counter is operating, write the TPnCCR1 register last.

Rewrite the TPnCCRm register after writing the TPnCCR1 register after the INTTPnCC1 signal is detected.



To transfer data from the TPnCCRm register to the CCRm buffer register, the TPnCCR1 register must be written.

To change both the cycle and active level of the PWM waveform at this time, first set the cycle to the TPnCCR0 register and then set the active level to the TPnCCR1 register.

To change only the cycle of the PWM waveform, first set the cycle to the TPnCCR0 register, and then write the same value to the TPnCCR1 register.

To change only the active level width (duty factor) of the PWM waveform, only the TPnCCR1 register has to be set.

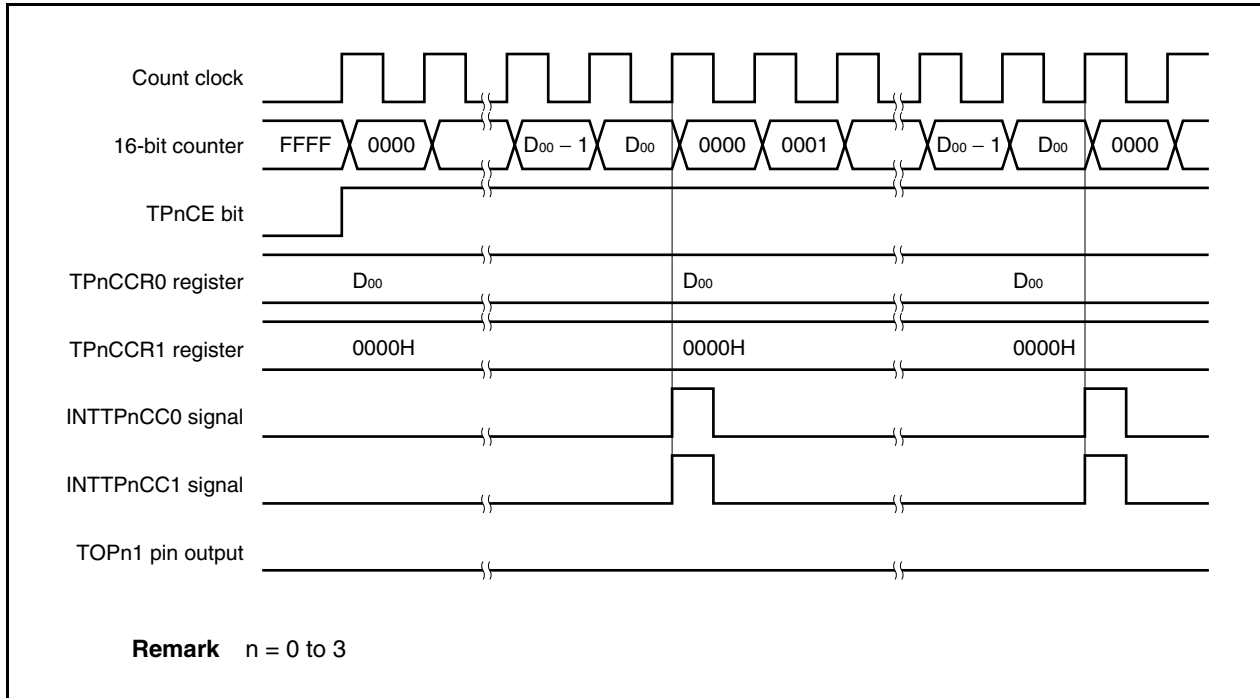
After data is written to the TPnCCR1 register, the value written to the TPnCCRm register is transferred to the CCRm buffer register in synchronization with clearing of the 16-bit counter, and is used as the value compared with the 16-bit counter.

To write the TPnCCR0 or TPnCCR1 register again after writing the TPnCCR1 register once, do so after the INTTPnCC0 signal is generated. Otherwise, the value of the CCRm buffer register may become undefined because the timing of transferring data from the TPnCCRm register to the CCRm buffer register conflicts with writing the TPnCCRm register.

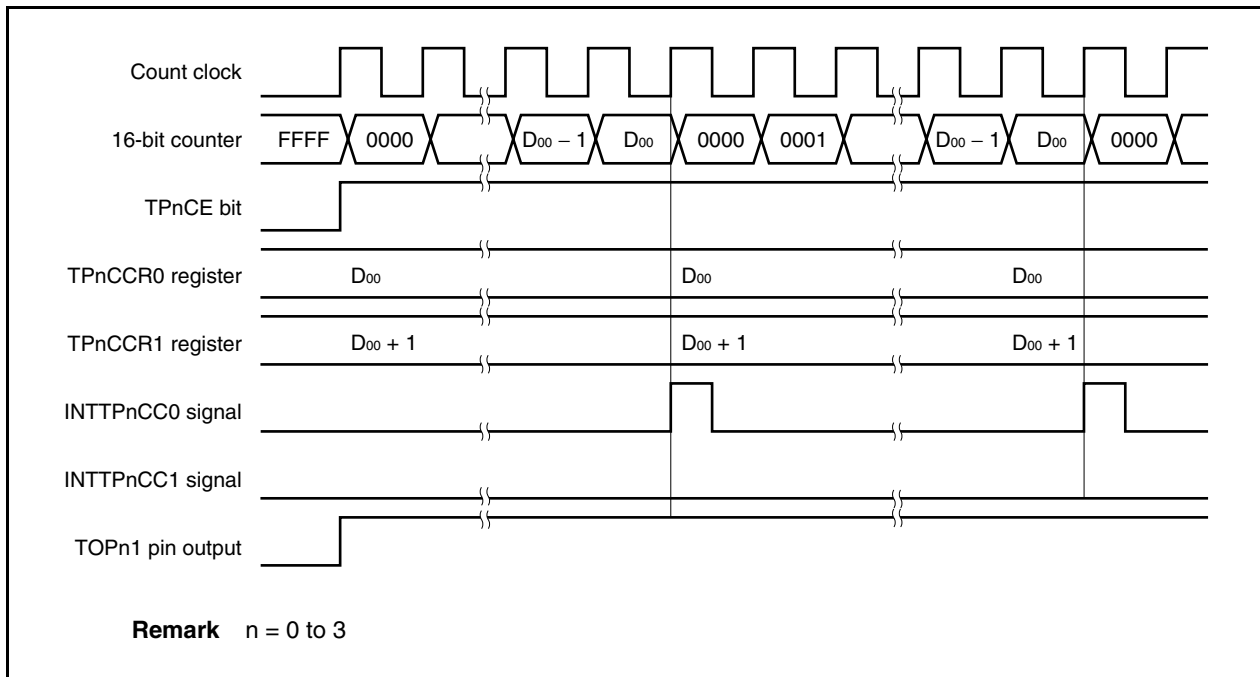
**Remark** n = 0 to 3, m = 0, 1

**(b) 0%/100% output of PWM waveform**

To output a 0% waveform, set the TPnCCR1 register to 0000H. If the set value of the TPnCCR0 register is FFFFH, the INTTPnCC1 signal is generated periodically.

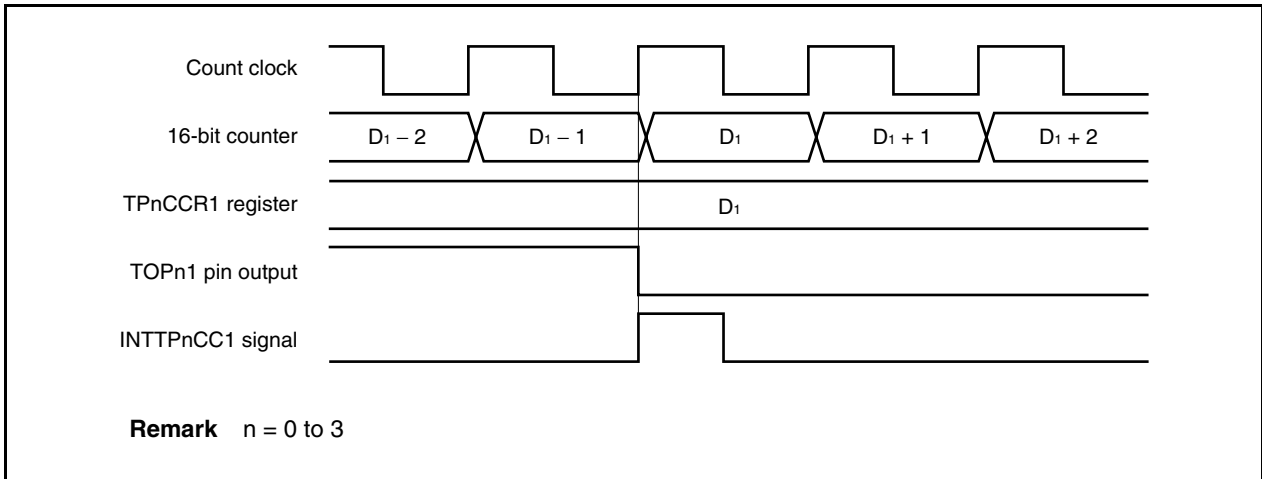


To output a 100% waveform, set a value of (set value of TPnCCR0 register + 1) to the TPnCCR1 register. If the set value of the TPnCCR0 register is FFFFH, 100% output cannot be produced.



**(c) Generation timing of compare match interrupt request signal (INTTPnCC1)**

The timing of generation of the INTTPnCC1 signal in the PWM output mode differs from the timing of other INTTPnCC1 signals; the INTTPnCC1 signal is generated when the count value of the 16-bit counter matches the value of the TPnCCR1 register.



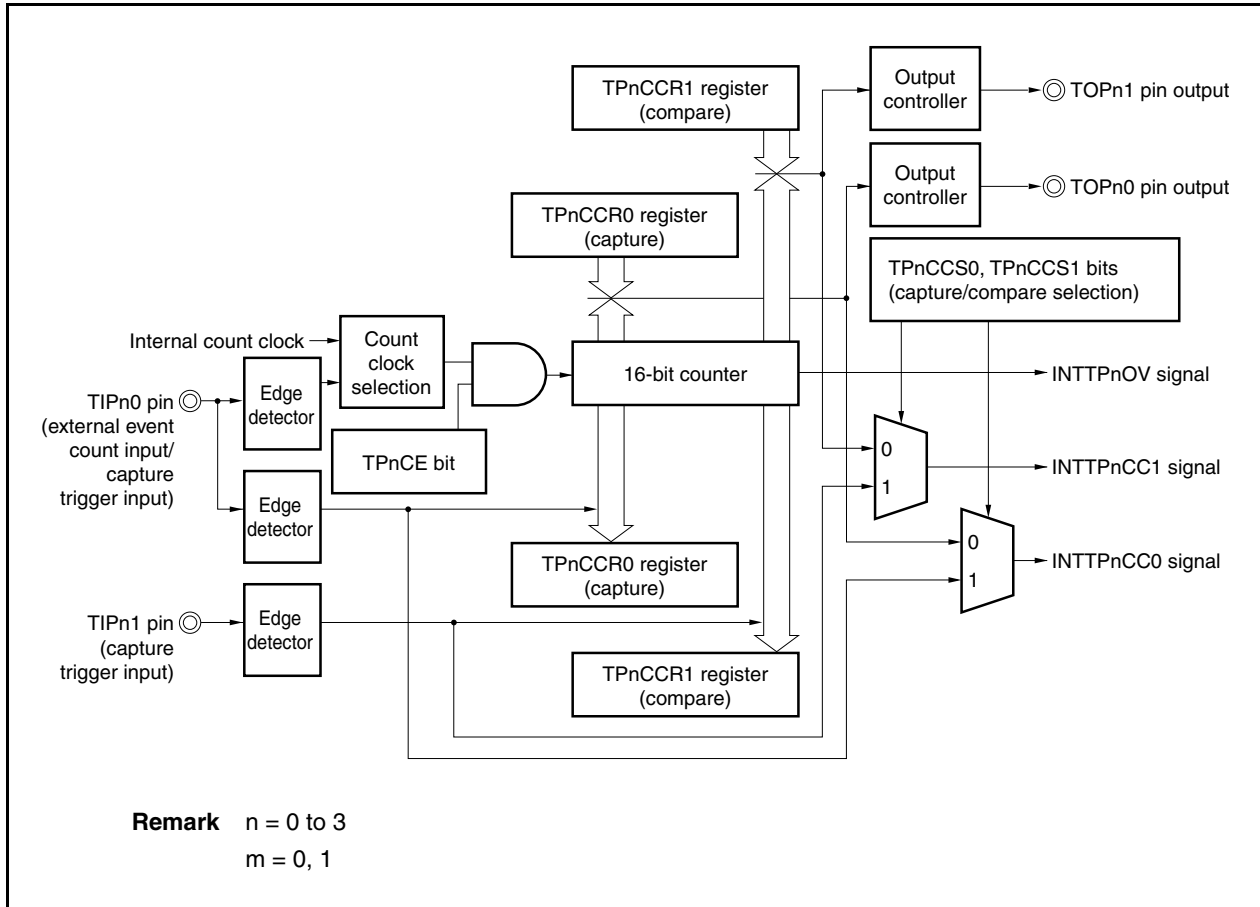
Usually, the INTTPnCC1 signal is generated in synchronization with the next counting up after the count value of the 16-bit counter matches the value of the TPnCCR1 register.

In the PWM output mode, however, it is generated one clock earlier. This is because the timing is changed to match the change timing of the output signal of the TOPn1 pin.

6.5.6 Free-running timer mode (TPnMD2 to TPnMD0 bits = 101)

In the free-running timer mode, 16-bit timer/event counter P starts counting when the TPnCTL0.TPnCE bit is set to 1. At this time, the TPnCCRm register can be used as a compare register or a capture register, depending on the setting of the TPnOPT0.TPnCCS0 and TPnOPT0.TPnCCS1 bits.

Figure 6-28. Configuration in Free-Running Timer Mode

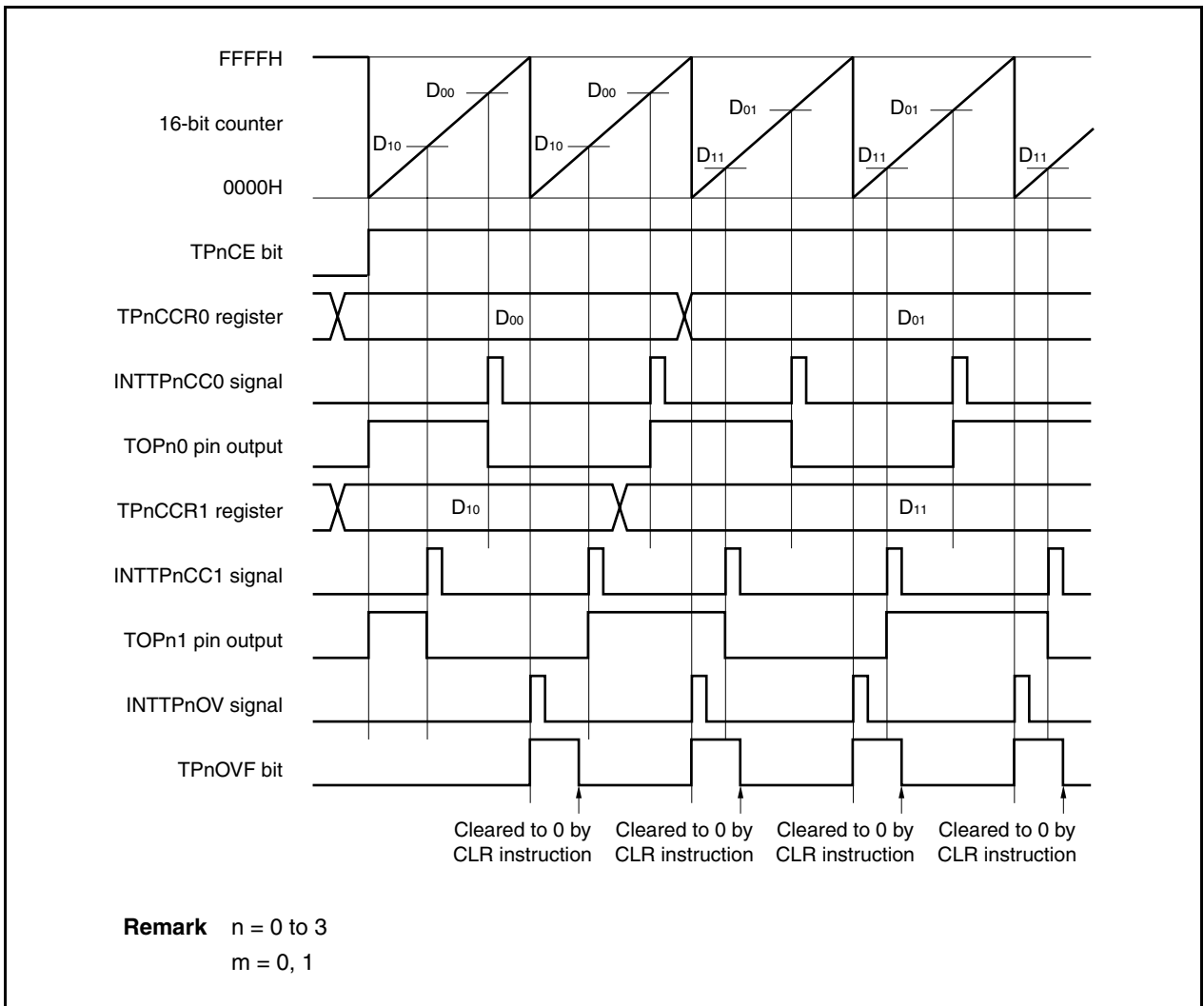


When the TPnCE bit is set to 1, 16-bit timer/event counter P starts counting, and the output signals of the TOPn0 and TOPn1 pins are inverted. When the count value of the 16-bit counter later matches the set value of the TPnCCRm register, a compare match interrupt request signal (INTTPnCCm) is generated, and the output signal of the TOPnm pin is inverted.

The 16-bit counter continues counting in synchronization with the count clock. When it counts up to FFFFH, it generates an overflow interrupt request signal (INTTPnOV) at the next clock, is cleared to 0000H, and continues counting. At this time, the overflow flag (TPnOPT0.TPnOVF bit) is also set to 1. Clear the overflow flag to 0 by executing the CLR instruction by software.

The TPnCCRm register can be rewritten while the counter is operating. If it is rewritten, the new value is reflected at that time, and compared with the count value.

**Figure 6-29. Basic Timing in Free-Running Timer Mode (Compare Function)**



When the TPnCE bit is set to 1, the 16-bit counter starts counting. When the valid edge input to the TIPnm pin is detected, the count value of the 16-bit counter is stored in the TPnCCRm register, and a capture interrupt request signal (INTTPnCCm) is generated.

The 16-bit counter continues counting in synchronization with the count clock. When it counts up to FFFFH, it generates an overflow interrupt request signal (INTTPnOV) at the next clock, is cleared to 0000H, and continues counting. At this time, the overflow flag (TPnOPT0.TPnOVF bit) is also set to 1. Clear the overflow flag to 0 by executing the CLR instruction by software.

**Figure 6-30. Basic Timing in Free-Running Timer Mode (Capture Function)**

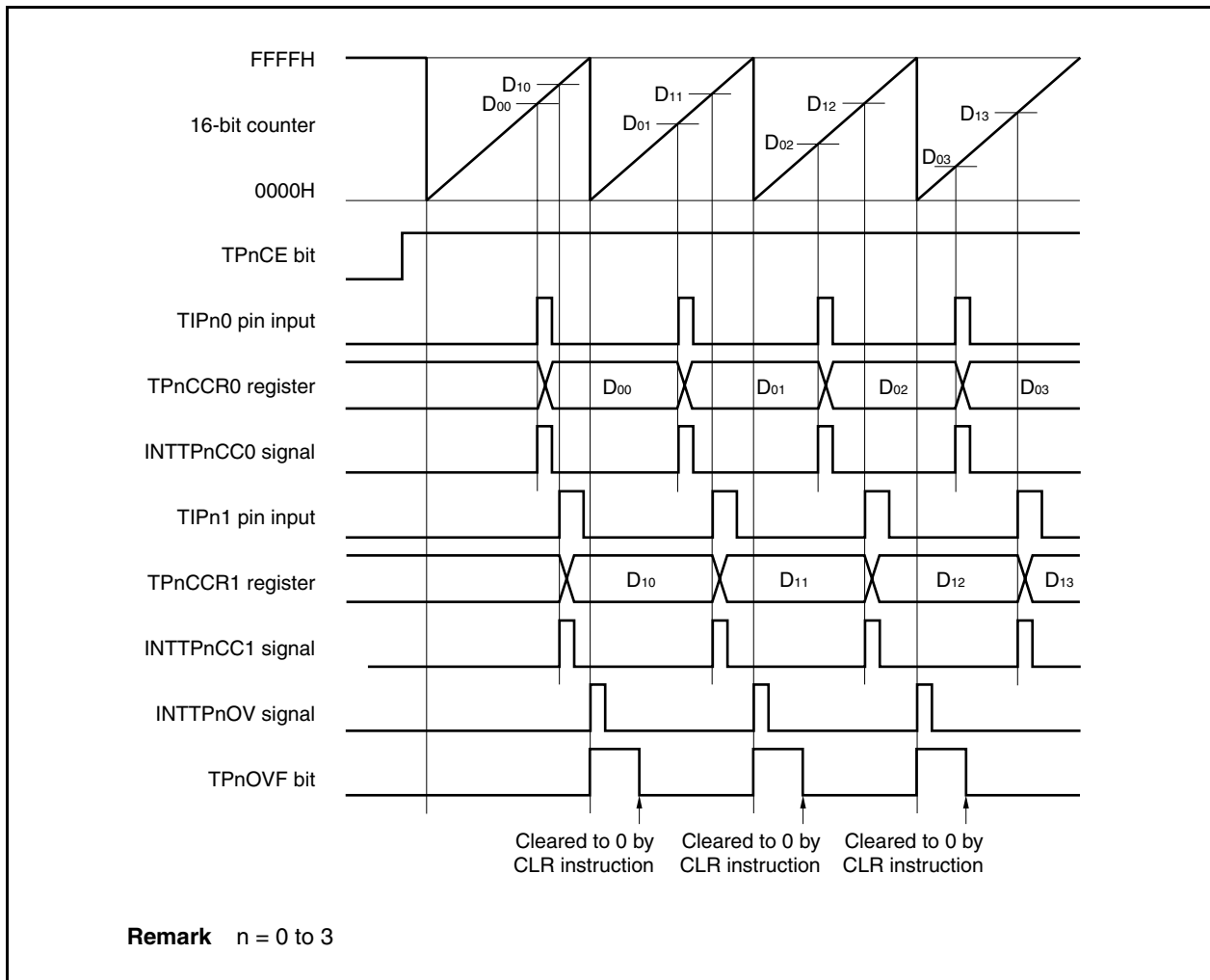


Figure 6-31. Register Setting in Free-Running Timer Mode (1/2)

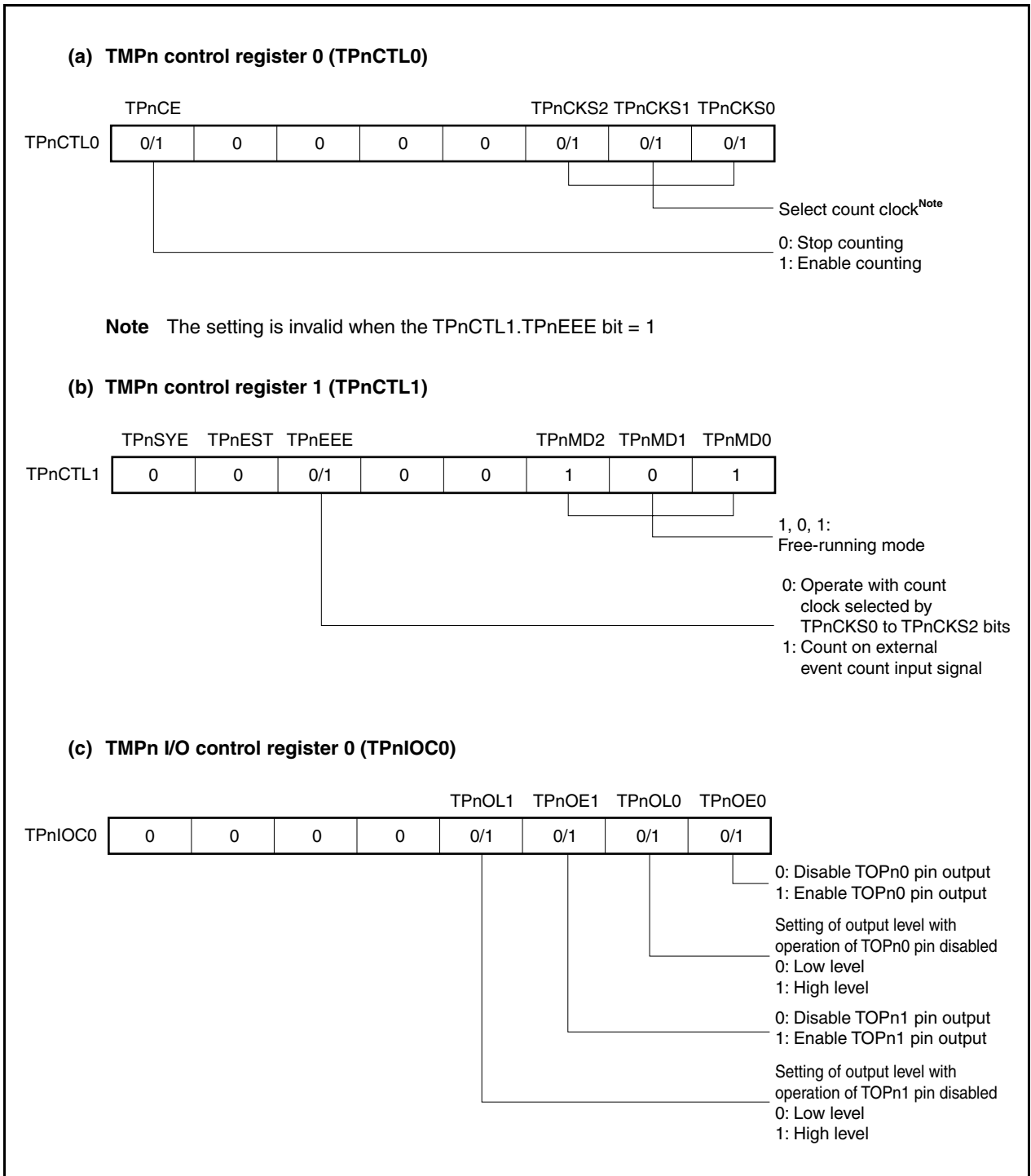
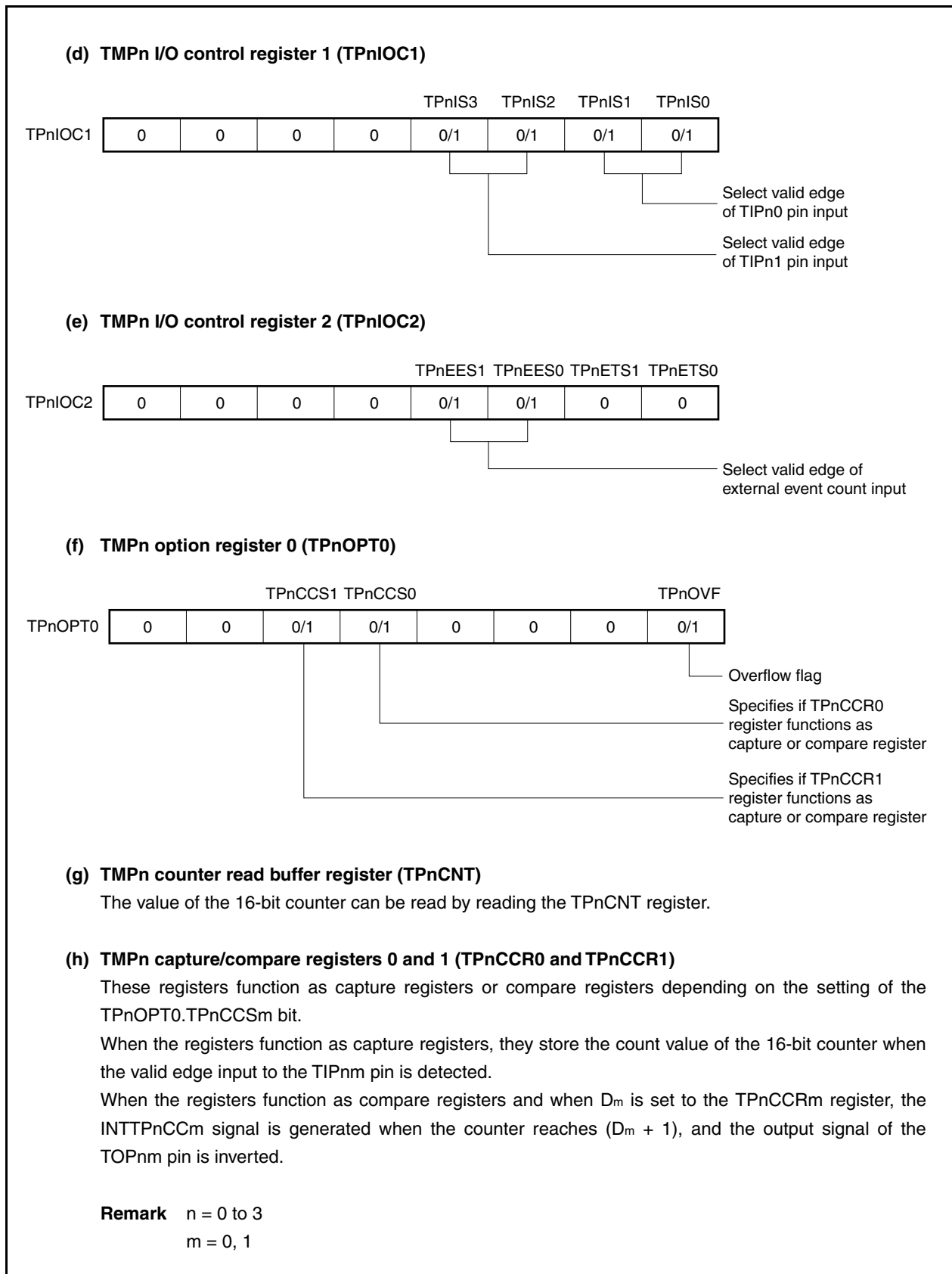


Figure 6-31. Register Setting in Free-Running Timer Mode (2/2)





(1) Operation flow in free-running timer mode

(a) When using capture/compare register as compare register

Figure 6-32. Software Processing Flow in Free-Running Timer Mode (Compare Function) (1/2)

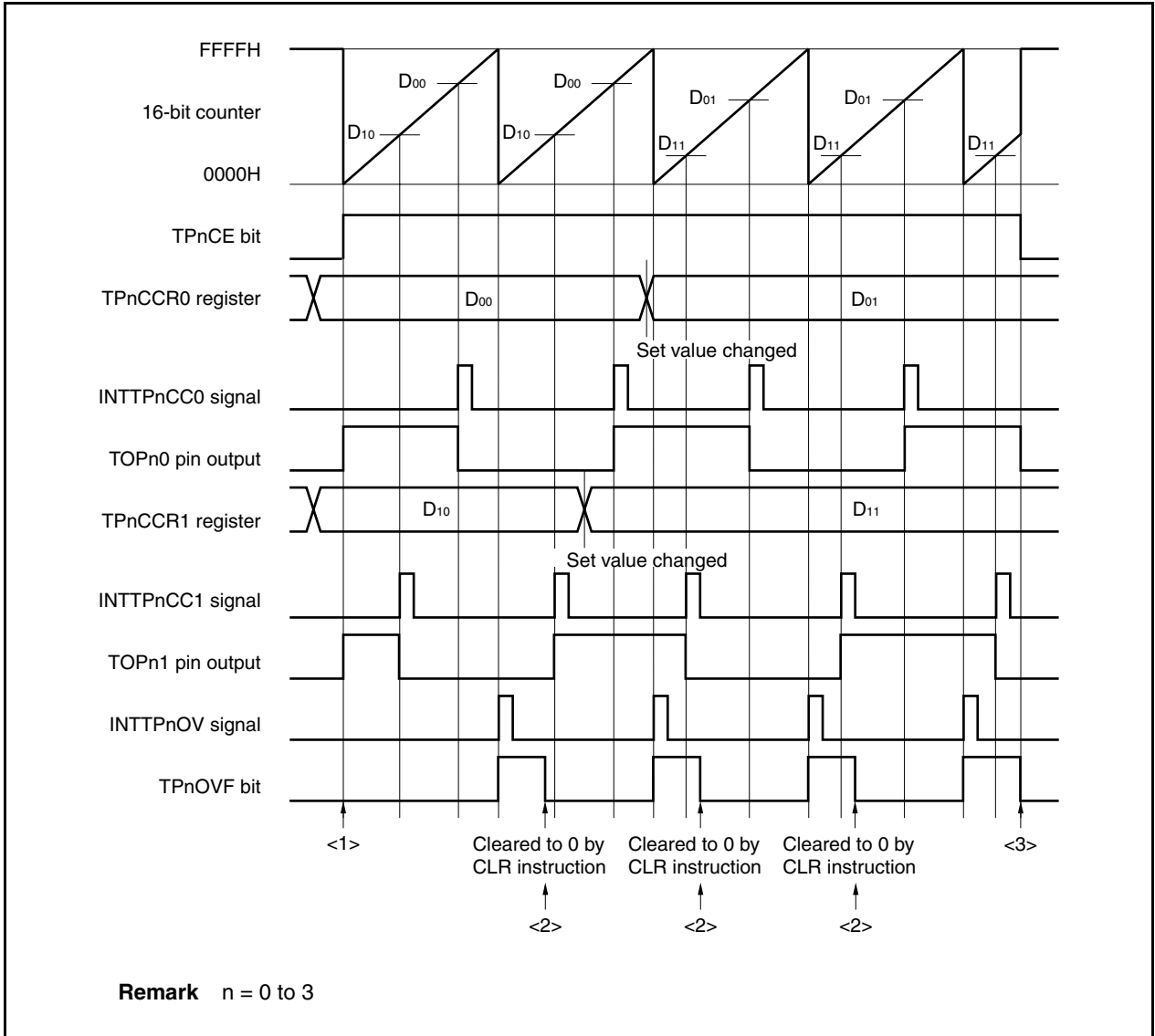
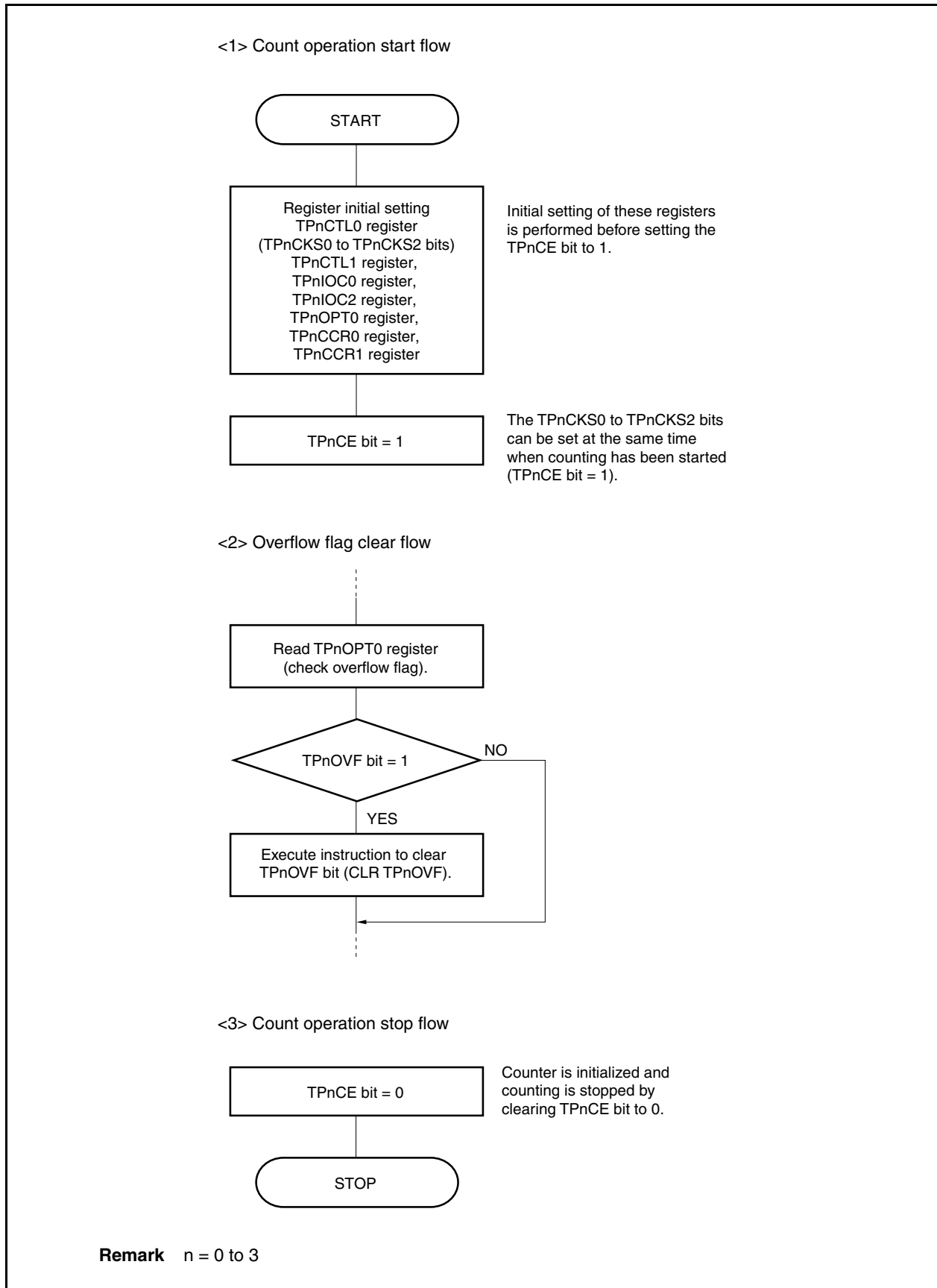


Figure 6-32. Software Processing Flow in Free-Running Timer Mode (Compare Function) (2/2)



(b) When using capture/compare register as capture register

Figure 6-33. Software Processing Flow in Free-Running Timer Mode (Capture Function) (1/2)

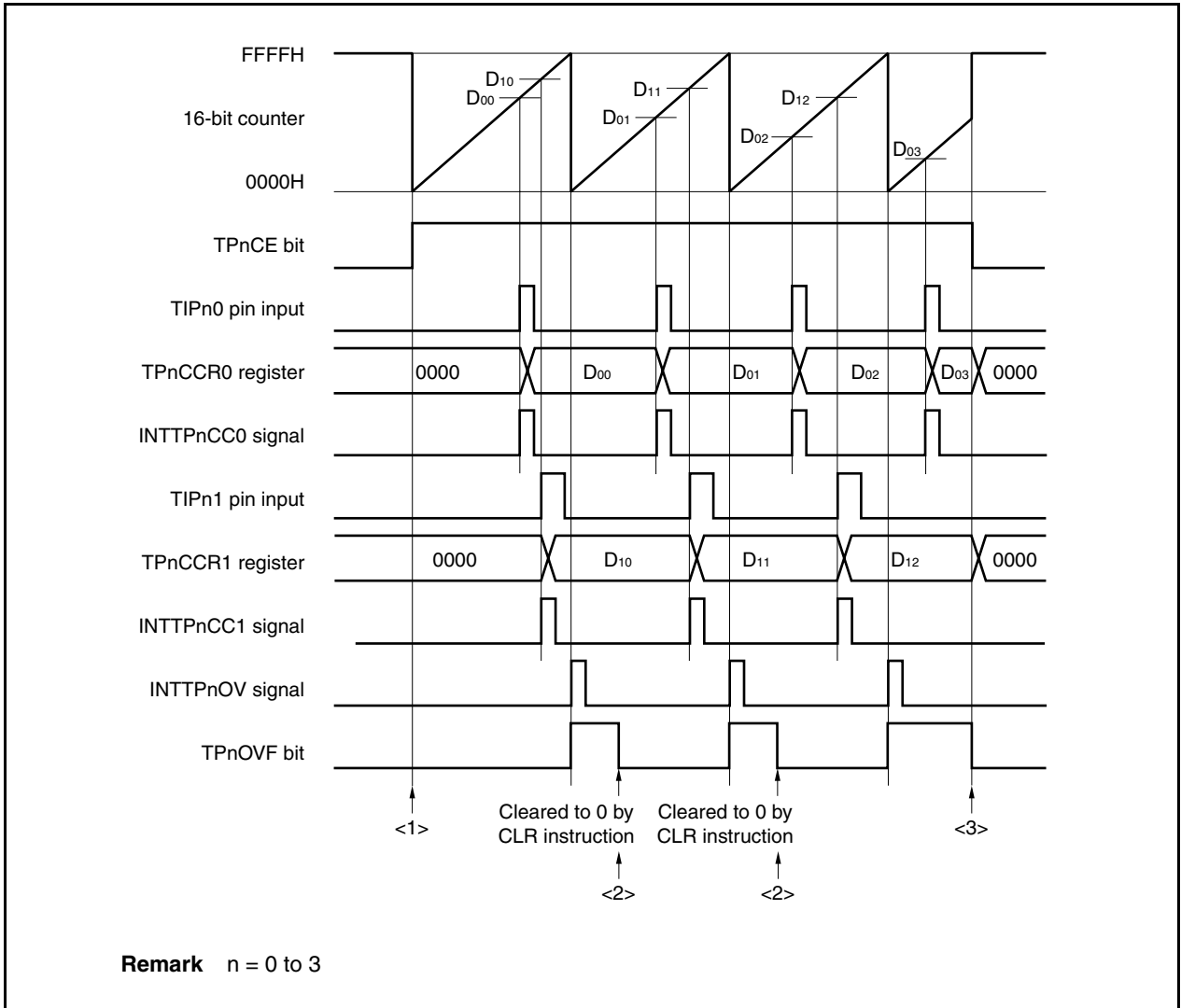
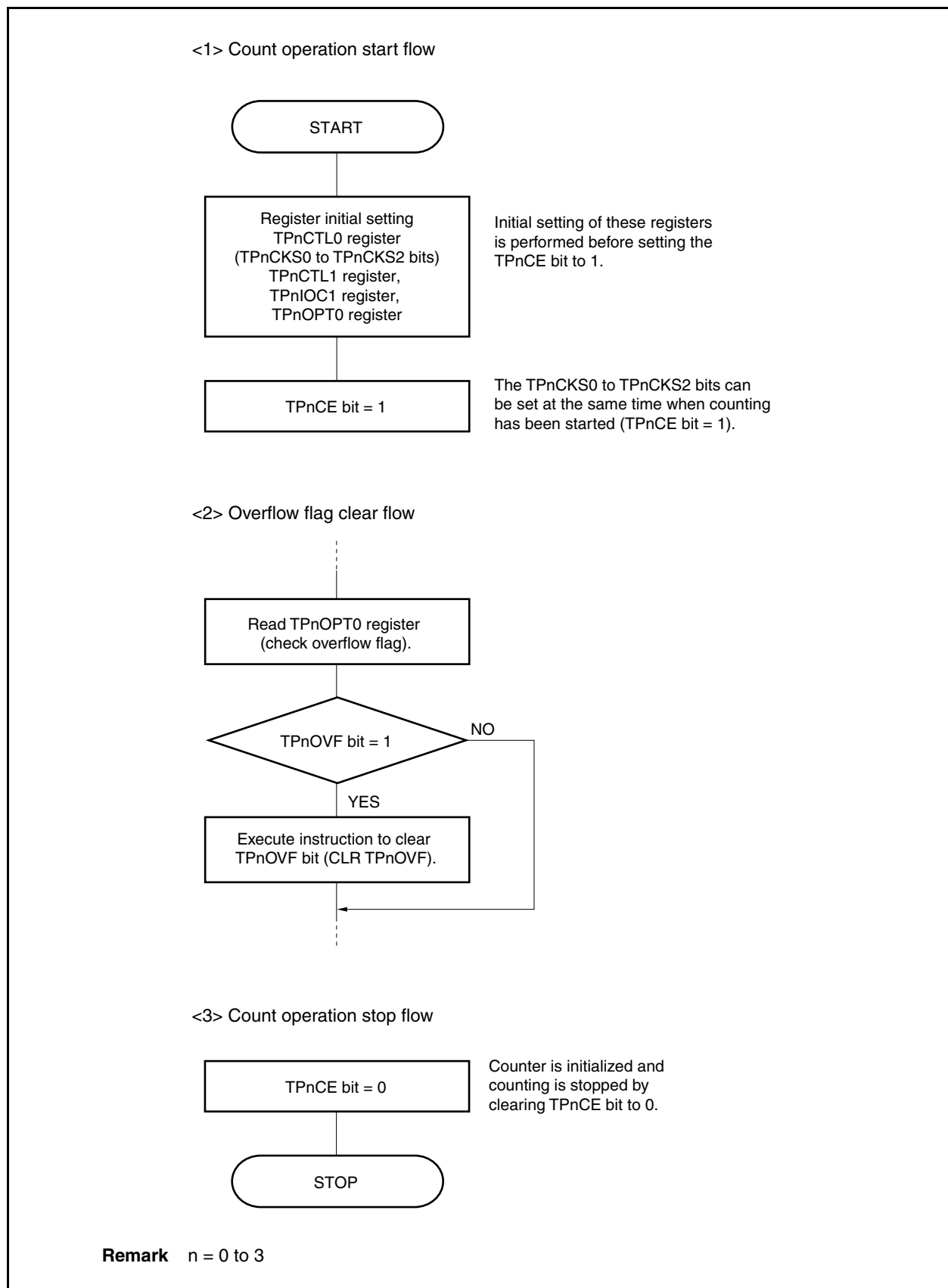
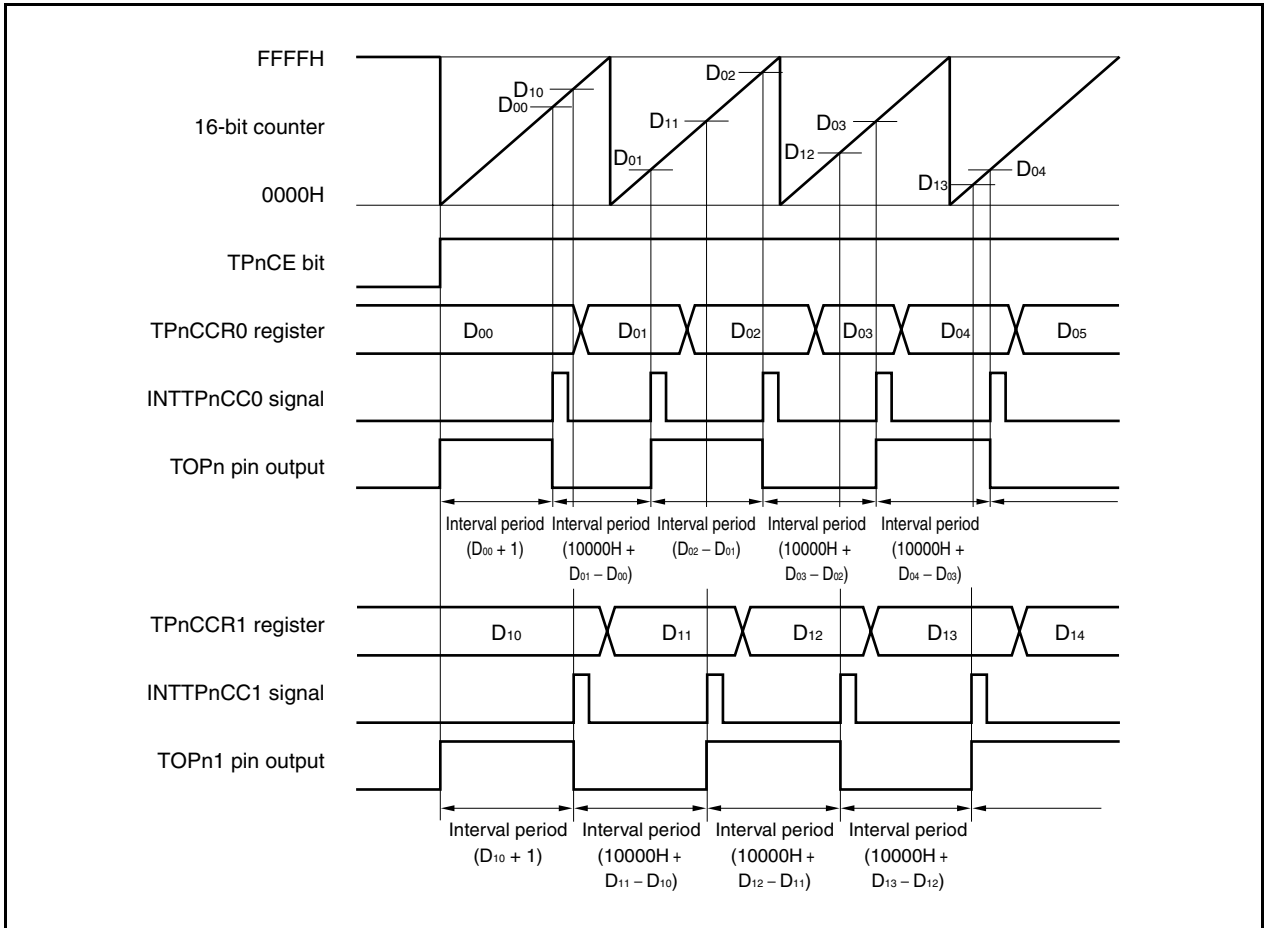


Figure 6-33. Software Processing Flow in Free-Running Timer Mode (Capture Function) (2/2)



**(2) Operation timing in free-running timer mode****(a) Interval operation with compare register**

When 16-bit timer/event counter P is used as an interval timer with the TPnCCRm register used as a compare register, software processing is necessary for setting a comparison value to generate the next interrupt request signal each time the INTTPnCCm signal has been detected.



When performing an interval operation in the free-running timer mode, two intervals can be set with one channel.

To perform the interval operation, the value of the corresponding TPnCCRm register must be re-set in the interrupt servicing that is executed when the INTTPnCCm signal is detected.

The set value for re-setting the TPnCCRm register can be calculated by the following expression, where “D<sub>m</sub>” is the interval period.

Compare register default value:  $D_m - 1$

Value set to compare register second and subsequent time: Previous set value +  $D_m$

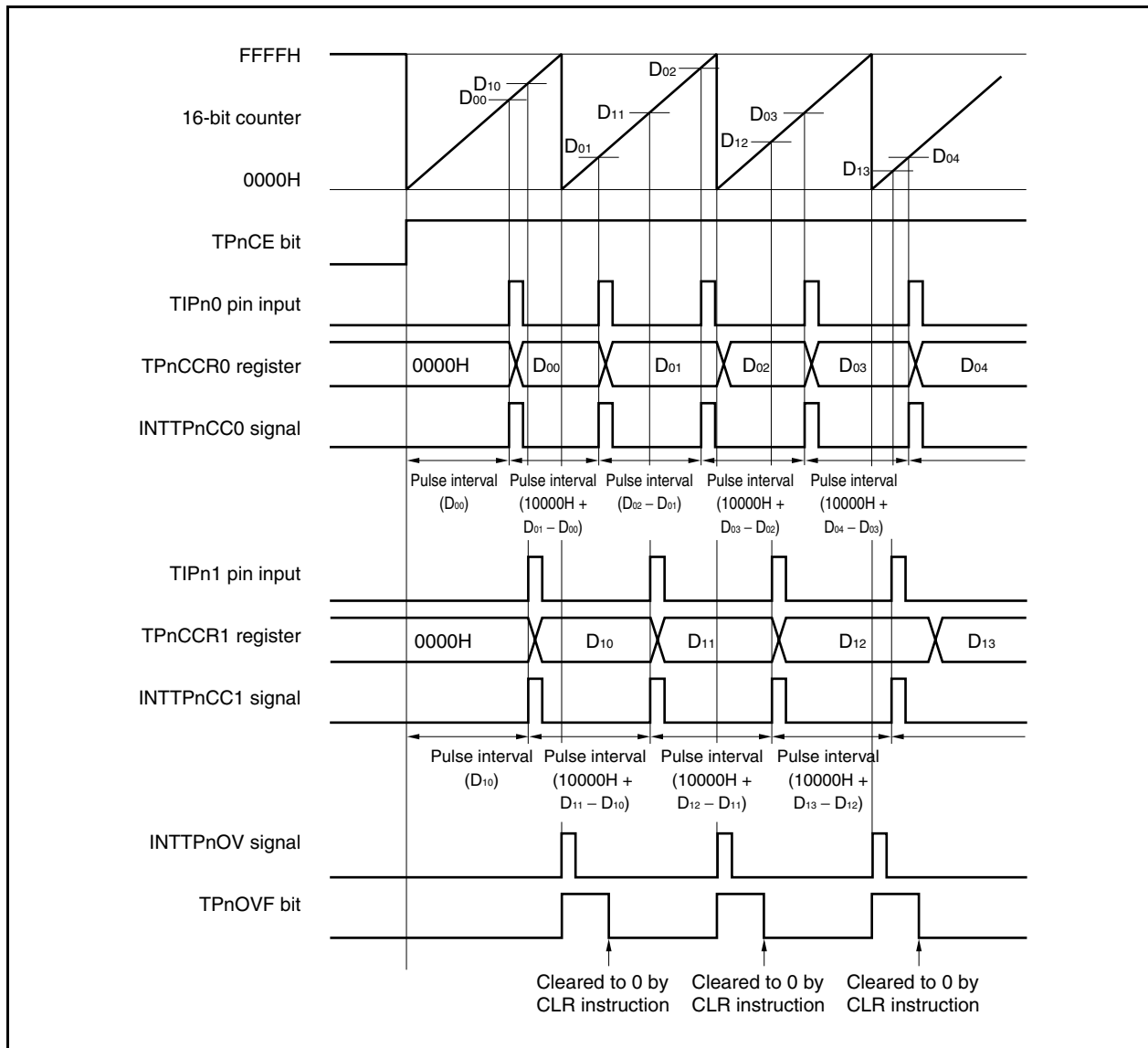
(If the calculation result is greater than FFFFH, subtract 10000H from the result and set this value to the register.)

**Remark**  $n = 0$  to  $3$

$m = 0, 1$

**(b) Pulse width measurement with capture register**

When pulse width measurement is performed with the TPnCCRm register used as a capture register, software processing is necessary for reading the capture register each time the INTTPnCCm signal has been detected and for calculating an interval.



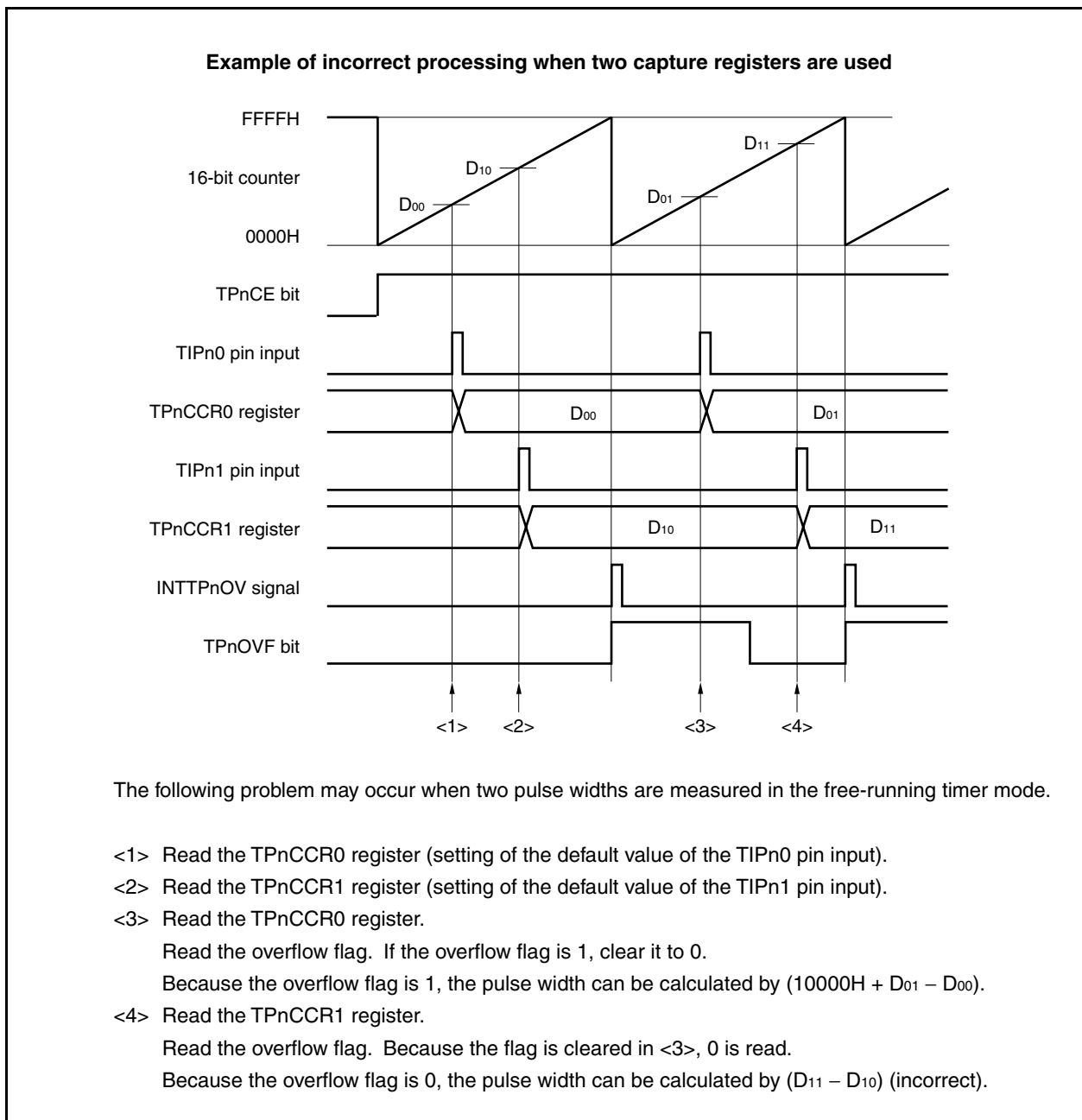
When executing pulse width measurement in the free-running timer mode, two pulse widths can be measured with one channel.

To measure a pulse width, the pulse width can be calculated by reading the value of the TPnCCRm register in synchronization with the INTTPnCCm signal, and calculating the difference between the read value and the previously read value.

**Remark** n = 0 to 3  
m = 0, 1

**(c) Processing of overflow when two capture registers are used**

Care must be exercised in processing the overflow flag when two capture registers are used. First, an example of incorrect processing is shown below.



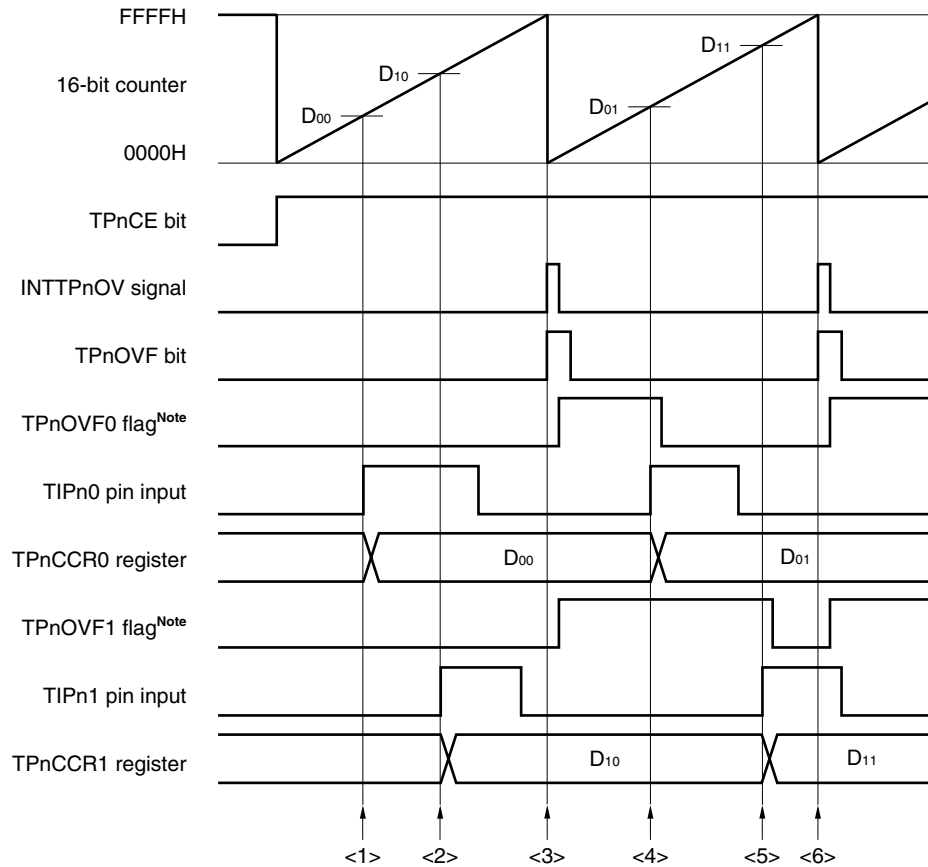
The following problem may occur when two pulse widths are measured in the free-running timer mode.

- <1> Read the TPnCCR0 register (setting of the default value of the TIPn0 pin input).
- <2> Read the TPnCCR1 register (setting of the default value of the TIPn1 pin input).
- <3> Read the TPnCCR0 register.  
Read the overflow flag. If the overflow flag is 1, clear it to 0.  
Because the overflow flag is 1, the pulse width can be calculated by  $(10000H + D_{01} - D_{00})$ .
- <4> Read the TPnCCR1 register.  
Read the overflow flag. Because the flag is cleared in <3>, 0 is read.  
Because the overflow flag is 0, the pulse width can be calculated by  $(D_{11} - D_{10})$  (incorrect).

When two capture registers are used, and if the overflow flag is cleared to 0 by one capture register, the other capture register may not obtain the correct pulse width.

Use software when using two capture registers. An example of how to use software is shown below.

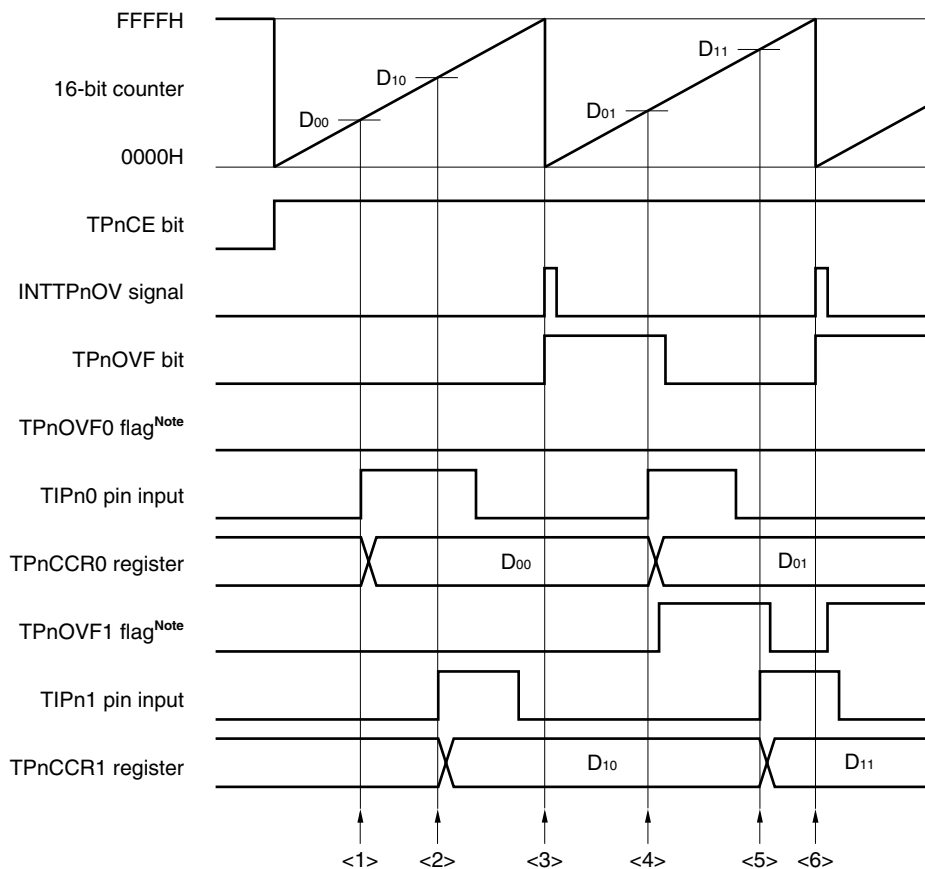
### Example when two capture registers are used (using overflow interrupt)



**Note** The TPnOVF0 and TPnOVF1 flags are set on the internal RAM by software.

- <1> Read the TPnCCR0 register (setting of the default value of the TIPn0 pin input).
- <2> Read the TPnCCR1 register (setting of the default value of the TIPn1 pin input).
- <3> An overflow occurs. Set the TPnOVF0 and TPnOVF1 flags to 1 in the overflow interrupt servicing, and clear the overflow flag to 0.
- <4> Read the TPnCCR0 register.  
Read the TPnOVF0 flag. If the TPnOVF0 flag is 1, clear it to 0.  
Because the TPnOVF0 flag is 1, the pulse width can be calculated by  $(10000H + D_{01} - D_{00})$ .
- <5> Read the TPnCCR1 register.  
Read the TPnOVF1 flag. If the TPnOVF1 flag is 1, clear it to 0 (the TPnOVF0 flag is cleared in <4>, and the TPnOVF1 flag remains 1).  
Because the TPnOVF1 flag is 1, the pulse width can be calculated by  $(10000H + D_{11} - D_{10})$  (correct).
- <6> Same as <3>



**Example when two capture registers are used (without using overflow interrupt)**

**Note** The TPnOVF0 and TPnOVF1 flags are set on the internal RAM by software.

<1> Read the TPnCCR0 register (setting of the default value of the TIPn0 pin input).

<2> Read the TPnCCR1 register (setting of the default value of the TIPn1 pin input).

<3> An overflow occurs. Nothing is done by software.

<4> Read the TPnCCR0 register.

Read the overflow flag. If the overflow flag is 1, set only the TPnOVF1 flag to 1, and clear the overflow flag to 0.

Because the overflow flag is 1, the pulse width can be calculated by  $(10000H + D_{01} - D_{00})$ .

<5> Read the TPnCCR1 register.

Read the overflow flag. Because the overflow flag is cleared in <4>, 0 is read.

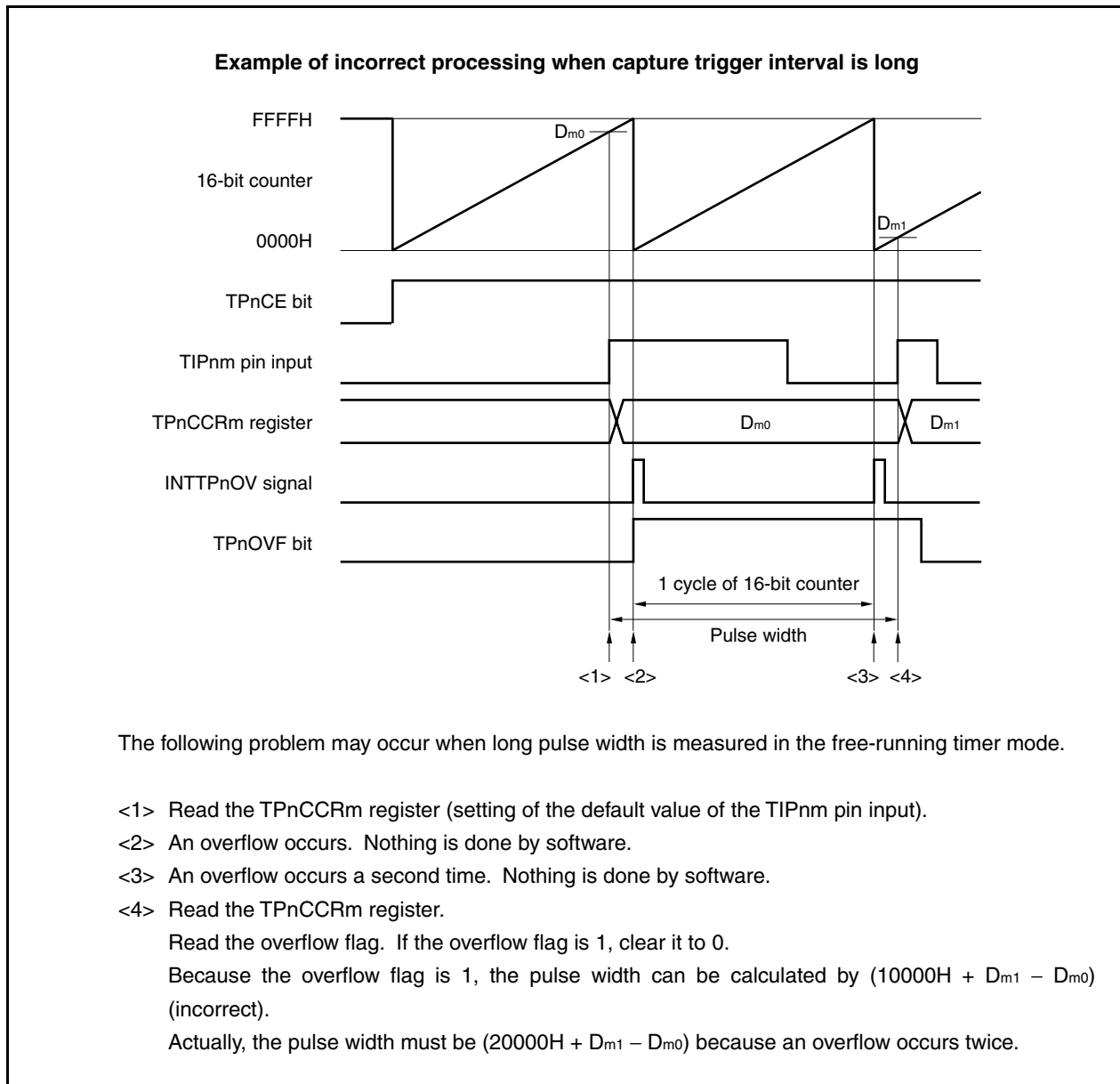
Read the TPnOVF1 flag. If the TPnOVF1 flag is 1, clear it to 0.

Because the TPnOVF1 flag is 1, the pulse width can be calculated by  $(10000H + D_{11} - D_{10})$  (correct).

<6> Same as <3>

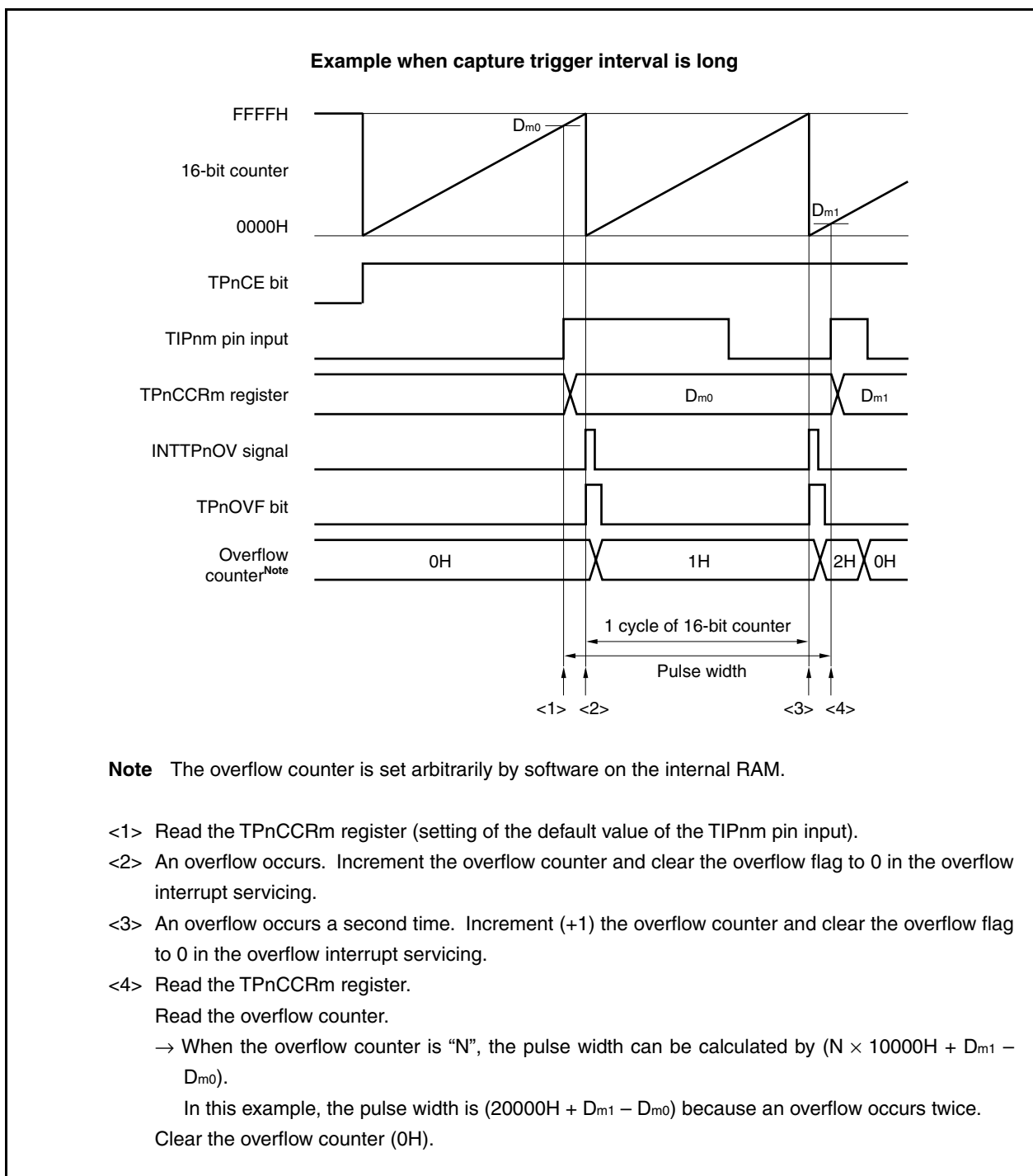
**(d) Processing of overflow if capture trigger interval is long**

If the pulse width is greater than one cycle of the 16-bit counter, care must be exercised because an overflow may occur more than once from the first capture trigger to the next. First, an example of incorrect processing is shown below.



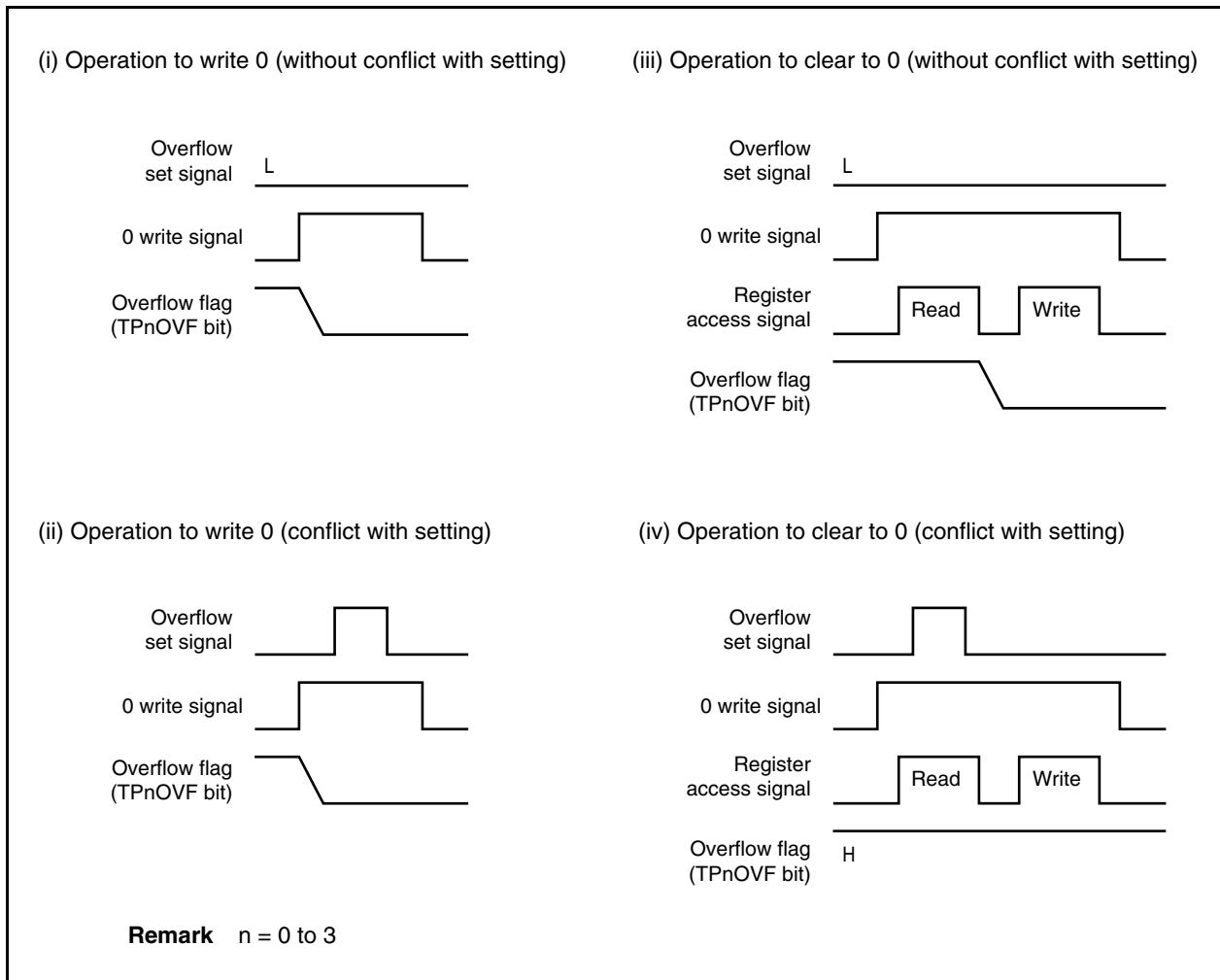
If an overflow occurs twice or more when the capture trigger interval is long, the correct pulse width may not be obtained.

If the capture trigger interval is long, slow the count clock to lengthen one cycle of the 16-bit counter, or use software. An example of how to use software is shown next.



**(e) Clearing overflow flag**

The overflow flag can be cleared to 0 by clearing the TPnOVF bit to 0 with the CLR instruction and by writing 8-bit data (bit 0 is 0) to the TPnOPT0 register. To accurately detect an overflow, read the TPnOVF bit when it is 1, and then clear the overflow flag by using a bit manipulation instruction.



To clear the overflow flag to 0, read the overflow flag to check if it is set to 1, and clear it with the CLR instruction. If 0 is written to the overflow flag without checking if the flag is 1, the set information of overflow may be erased by writing 0 ((ii) in the above chart). Therefore, software may judge that no overflow has occurred even when an overflow actually has occurred.

If execution of the CLR instruction conflicts with occurrence of an overflow when the overflow flag is cleared to 0 with the CLR instruction, the overflow flag remains set even after execution of the clear instruction.

### 6.5.7 Pulse width measurement mode (TPnMD2 to TPnMD0 bits = 110)

In the pulse width measurement mode, 16-bit timer/event counter P starts counting when the TPnCTL0.TPnCE bit is set to 1. Each time the valid edge input to the TIPnm pin has been detected, the count value of the 16-bit counter is stored in the TPnCCRm register, and the 16-bit counter is cleared to 0000H.

The interval of the valid edge can be measured by reading the TPnCCRm register after a capture interrupt request signal (INTTPnCCm) occurs.

Select either the TIPn0 or TIPn1 pin as the capture trigger input pin. Specify “No edge detected” by using the TPnIOC1 register for the unused pins.

When an external clock is used as the count clock, measure the pulse width of the TIPn1 pin because the external clock is fixed to the TIPn0 pin. At this time, clear the TPnIOC1.TPnIS1 and TPnIOC1.TPnIS0 bits to 00 (capture trigger input (TIPn0 pin): No edge detected).

Figure 6-34. Configuration in Pulse Width Measurement Mode

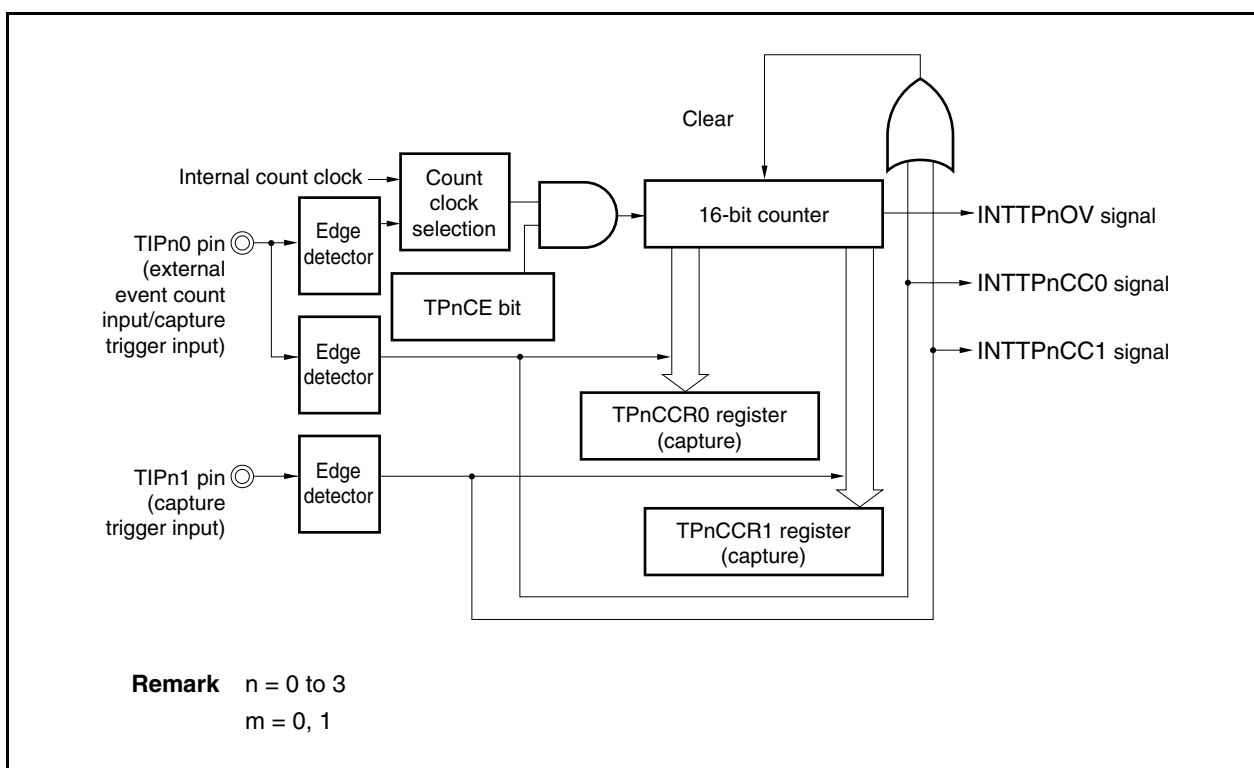
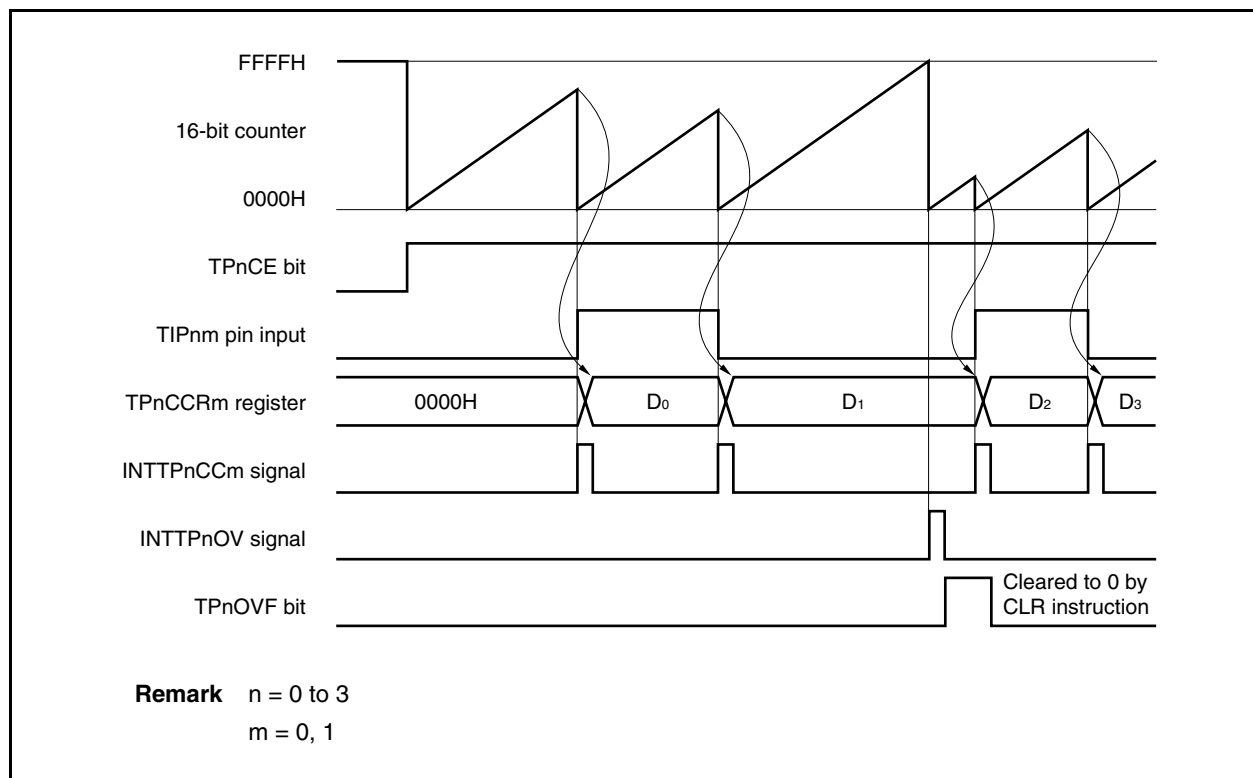


Figure 6-35. Basic Timing in Pulse Width Measurement Mode



When the TPnCE bit is set to 1, the 16-bit counter starts counting. When the valid edge input to the TIPnm pin is later detected, the count value of the 16-bit counter is stored in the TPnCCRm register, the 16-bit counter is cleared to 0000H, and a capture interrupt request signal (INTTPnCCm) is generated.

The pulse width is calculated as follows.

$$\text{Pulse width} = \text{Captured value} \times \text{Count clock cycle}$$

If the valid edge is not input to the TIPnm pin even when the 16-bit counter counted up to FFFFH, an overflow interrupt request signal (INTTPnOV) is generated at the next count clock, and the counter is cleared to 0000H and continues counting. At this time, the overflow flag (TPnOPT0.TPnOVF bit) is also set to 1. Clear the overflow flag to 0 by executing the CLR instruction via software.

If the overflow flag is set to 1, the pulse width can be calculated as follows.

$$\text{Pulse width} = (10000\text{H} \times \text{TPnOVF bit set (1) count} + \text{Captured value}) \times \text{Count clock cycle}$$

**Remark** n = 0 to 3  
m = 0, 1

Figure 6-36. Register Setting in Pulse Width Measurement Mode (1/2)

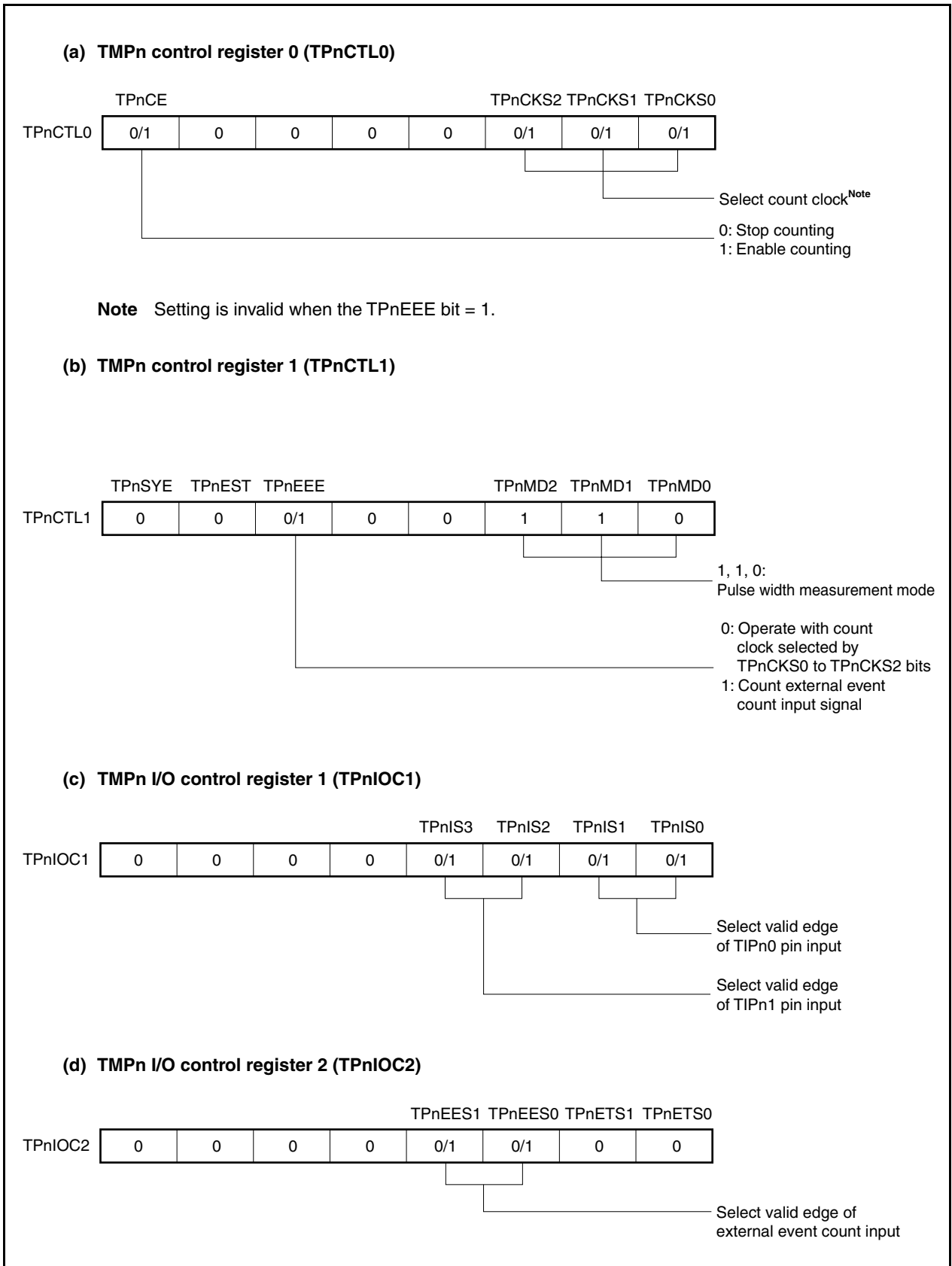
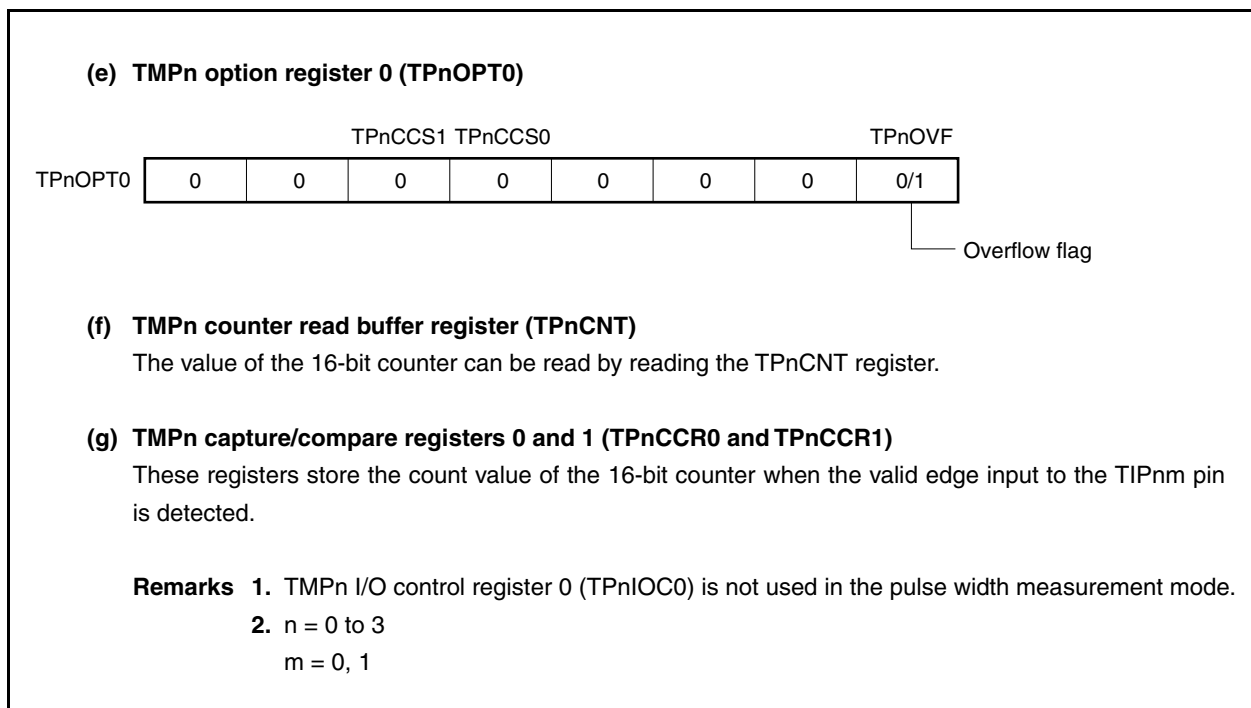


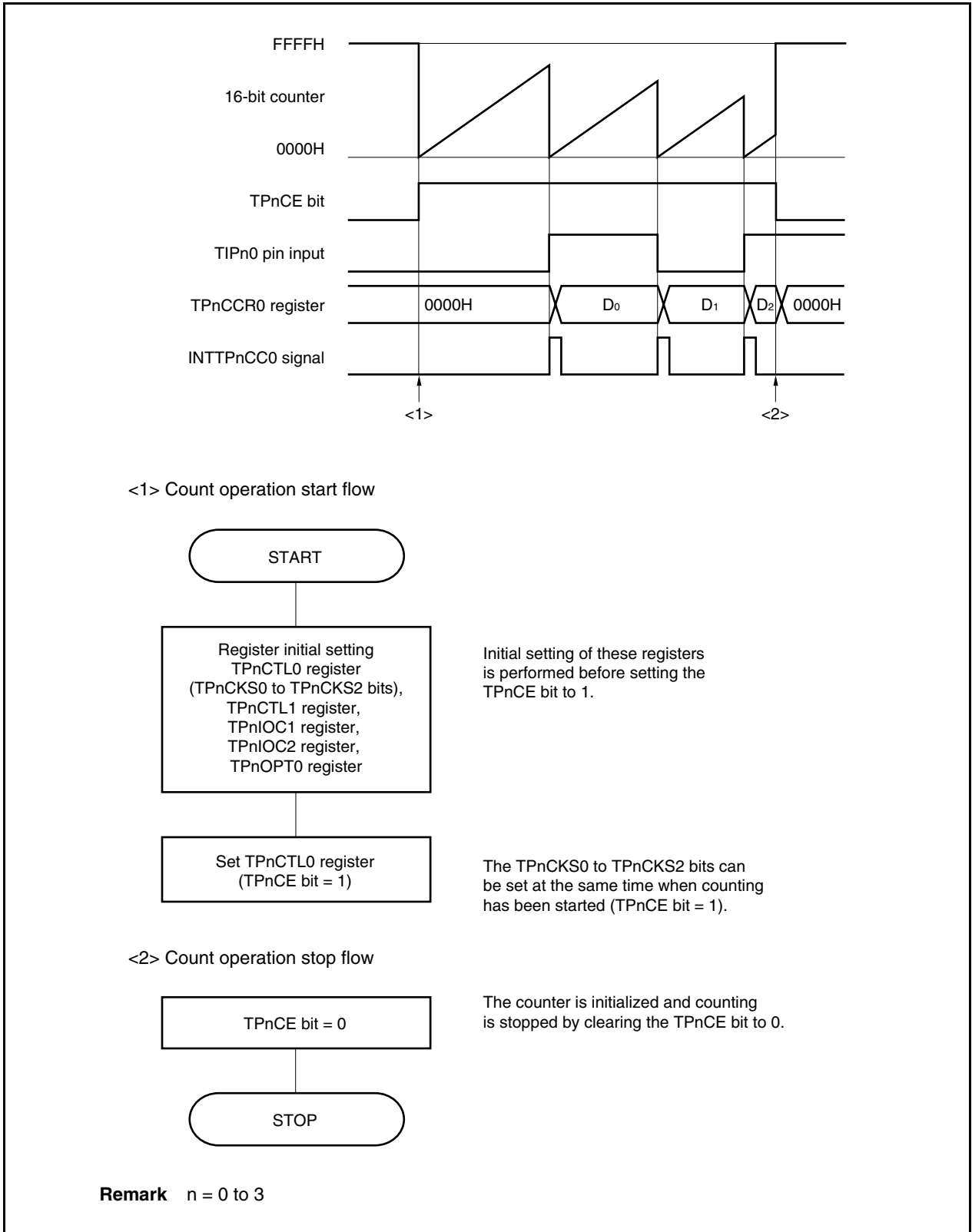
Figure 6-36. Register Setting in Pulse Width Measurement Mode (2/2)





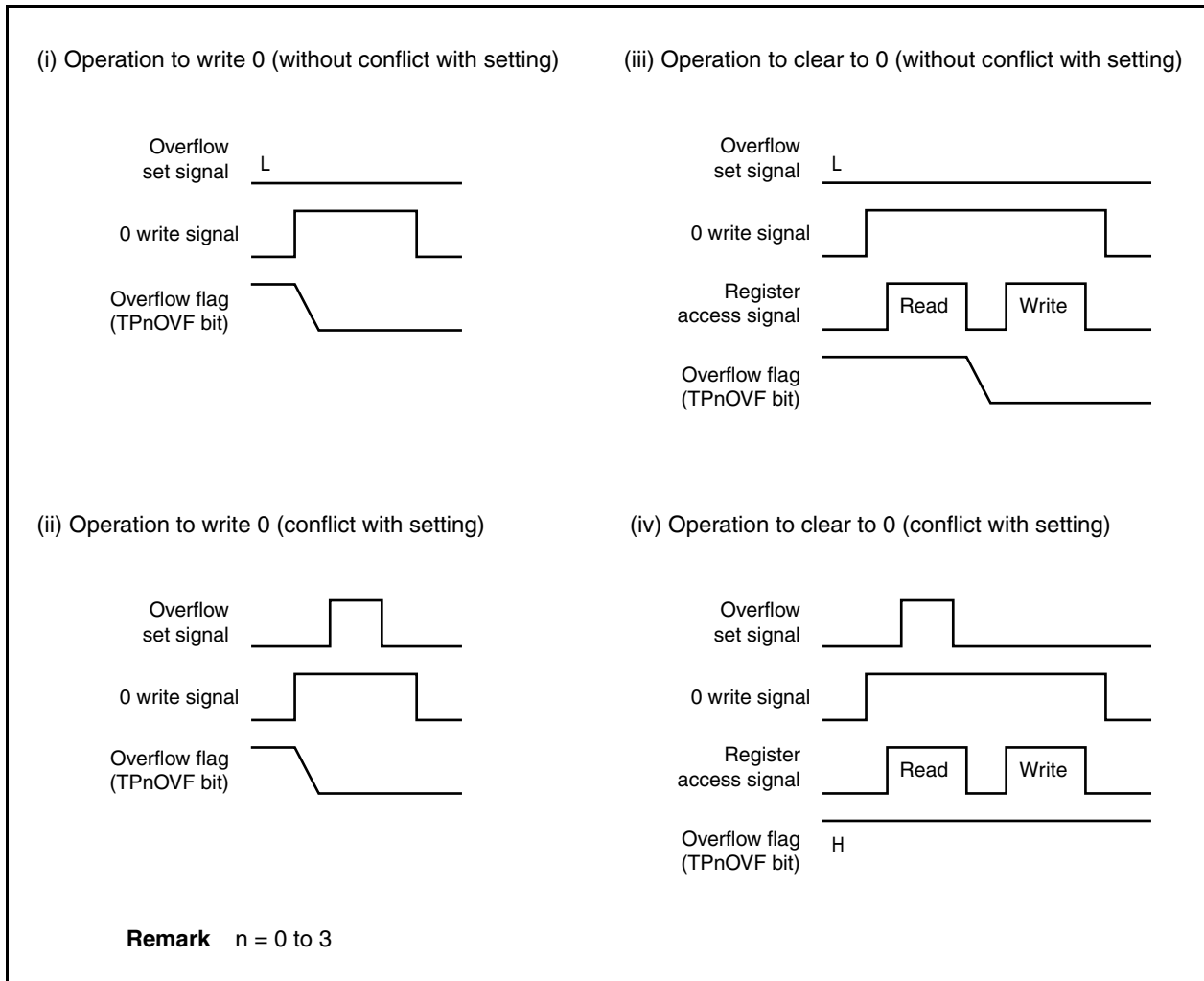
(1) Operation flow in pulse width measurement mode

Figure 6-37. Software Processing Flow in Pulse Width Measurement Mode



**(2) Operation timing in pulse width measurement mode****(a) Clearing overflow flag**

The overflow flag can be cleared to 0 by clearing the TPnOVF bit to 0 with the CLR instruction and by writing 8-bit data (bit 0 is 0) to the TPnOPT0 register. To accurately detect an overflow, read the TPnOVF bit when it is 1, and then clear the overflow flag by using a bit manipulation instruction.



To clear the overflow flag to 0, read the overflow flag to check if it is set to 1, and clear it with the CLR instruction. If 0 is written to the overflow flag without checking if the flag is 1, the set information of overflow may be erased by writing 0 ((ii) in the above chart). Therefore, software may judge that no overflow has occurred even when an overflow actually has occurred.

If execution of the CLR instruction conflicts with occurrence of an overflow when the overflow flag is cleared to 0 with the CLR instruction, the overflow flag remains set even after execution of the clear instruction.

**6.5.8 Timer output operations**

The following table shows the operations and output levels of the TOPn0 and TOPn1 pins.

**Table 6-4. Timer Output Control in Each Mode**

Operation Mode	TOPn1 Pin	TOPn0 Pin
Interval timer mode	Square wave output	
External event count mode	Square wave output	–
External trigger pulse output mode	External trigger pulse output	Square wave output
One-shot pulse output mode	One-shot pulse output	
PWM output mode	PWM output	
Free-running timer mode	Square wave output (only when compare function is used)	
Pulse width measurement mode	–	

**Remark** n = 0 to 3

**Table 6-5. Truth Table of TOPn0 and TOPn1 Pins Under Control of Timer Output Control Bits**

TPnIOC0.TPnOLm Bit	TPnIOC0.TPnOEm Bit	TPnCTL0.TPnCE Bit	Level of TOPnm Pin
0	0	×	Low-level output
	1	0	Low-level output
		1	Low level immediately before counting, high level after counting is started
1	0	×	High-level output
	1	0	High-level output
		1	High level immediately before counting, low level after counting is started

**Remark** n = 0 to 3  
m = 0, 1

## 6.6 Timer Tuned Operation Function

Timer P and timer Q have a timer tuned operation function.

The timers that can be synchronized are listed in Table 6-6.

**Table 6-6. Tuned Operation Mode of Timers**

Master Timer	Slave Timer	
TMP0	TMP1	–
TMP2	TMP3	TMQ0

**Cautions** 1. The tuned operation mode is enabled or disabled by the TPmCTL1.TPmSYE and TQ0CTL1.TQ0SYE bits. For TMP2, either or both TMP3 and TMQ0 can be specified as slaves.

2. Set the tuned operation mode using the following procedure.

<1> Set the TPmCTL1.TPmSYE and TQ0CTL1.TQ0SYE bits of the slave timer to enable the tuned operation.

Set the TPmCTL1.TPmMD2 to TPmCTL1.TPmMD0 and TQ0CTL1.TQ0MD2 to TQ0CTL1.TQ0MD0 bits of the slave timer to the free-running mode.

<2> Set the timer mode by using the TPnCTL1.TPnMD2 to TPnCTL1.TPnMD0 bits.

At this time, do not set the TPnCTL1.TPnSYE bit of the master timer.

<3> Set the compare register value of the master and slave timers.

<4> Set the TPmCTL0.TPmCE and TQ0CTL0.TQ0CE bits of the slave timer to enable operation on the internal operating clock.

<5> Set the TPnCTL0.TPnCE bit of the master timer to enable operation on the internal operating clock.

**Remark** m = 1, 3  
n = 0, 2

Tables 6-7 and 6-8 show the timer modes that can be used in the tuned operation mode (√: Settable, ×: Not settable).

**Table 6-7. Timer Modes Usable in Tuned Operation Mode**

Master Timer	Free-Running Mode	PWM Mode	Triangular Wave PWM Mode
TMP0	√	√	×
TMP2	√	√	×

Table 6-8. Timer Output Functions

Tuned Channel	Timer	Pin	Free-Running Mode		PWM Mode		Triangular Wave PWM Mode	
			Tuning OFF	Tuning ON	Tuning OFF	Tuning ON	Tuning OFF	Tuning ON
Ch0	TMP0 (master)	TOP00	PPG	←	Toggle	←	N/A	←
		TOP01	PPG	←	PWM	←	N/A	←
	TMP1 (slave)	TOP10	PGP	←	Toggle	PWM	N/A	←
		TOP11	PPG	←	PWM	←	N/A	←
Ch1	TMP2 (master)	TOP20	PPG	←	Toggle	PWM	N/A	←
		TOP21	PPG	←	PWM	←	N/A	←
	TMP3 (slave)	TOP30	PPG	←	Toggle	PWM	N/A	←
		TOP31	PPG	←	PWM	←	N/A	←
	TMQ0 (slave)	TOQ00	PPG	←	Toggle	PWM	Toggle	N/A
		TOQ01 to TOQ03	PPG	←	PWM	←	Triangular wave PWM	N/A

**Remark** The timing of transmitting data from the compare register of the master timer to the compare register of the slave timer is as follows.

PPG: CPU write timing

Toggle, PWM, triangular wave PWM: Timing at which timer counter and compare register match TOPn0 and TOQ00 (n = 0 to 3)

Figure 6-38. Tuned Operation Image (TMP2, TMP3, TMQ0)

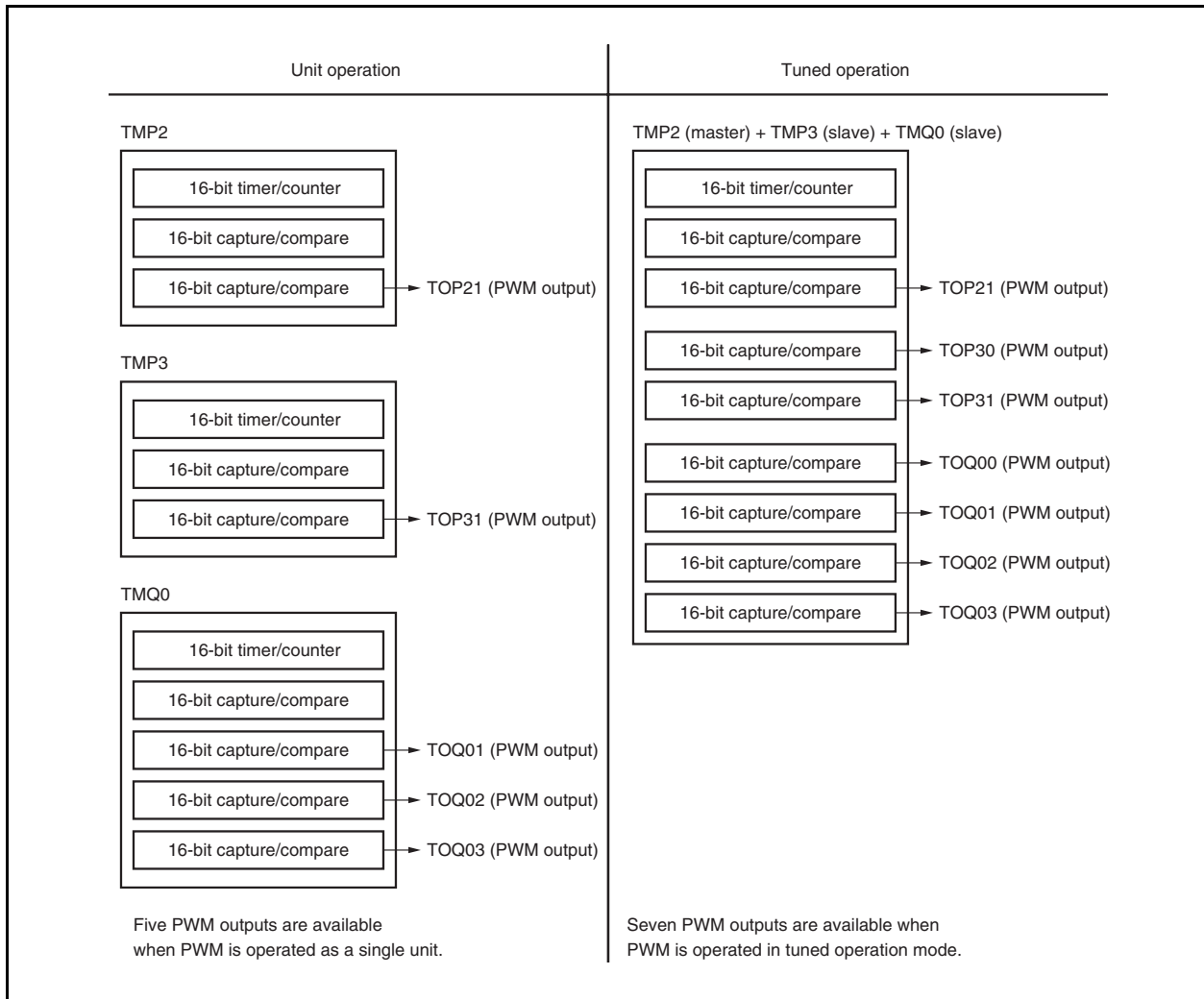
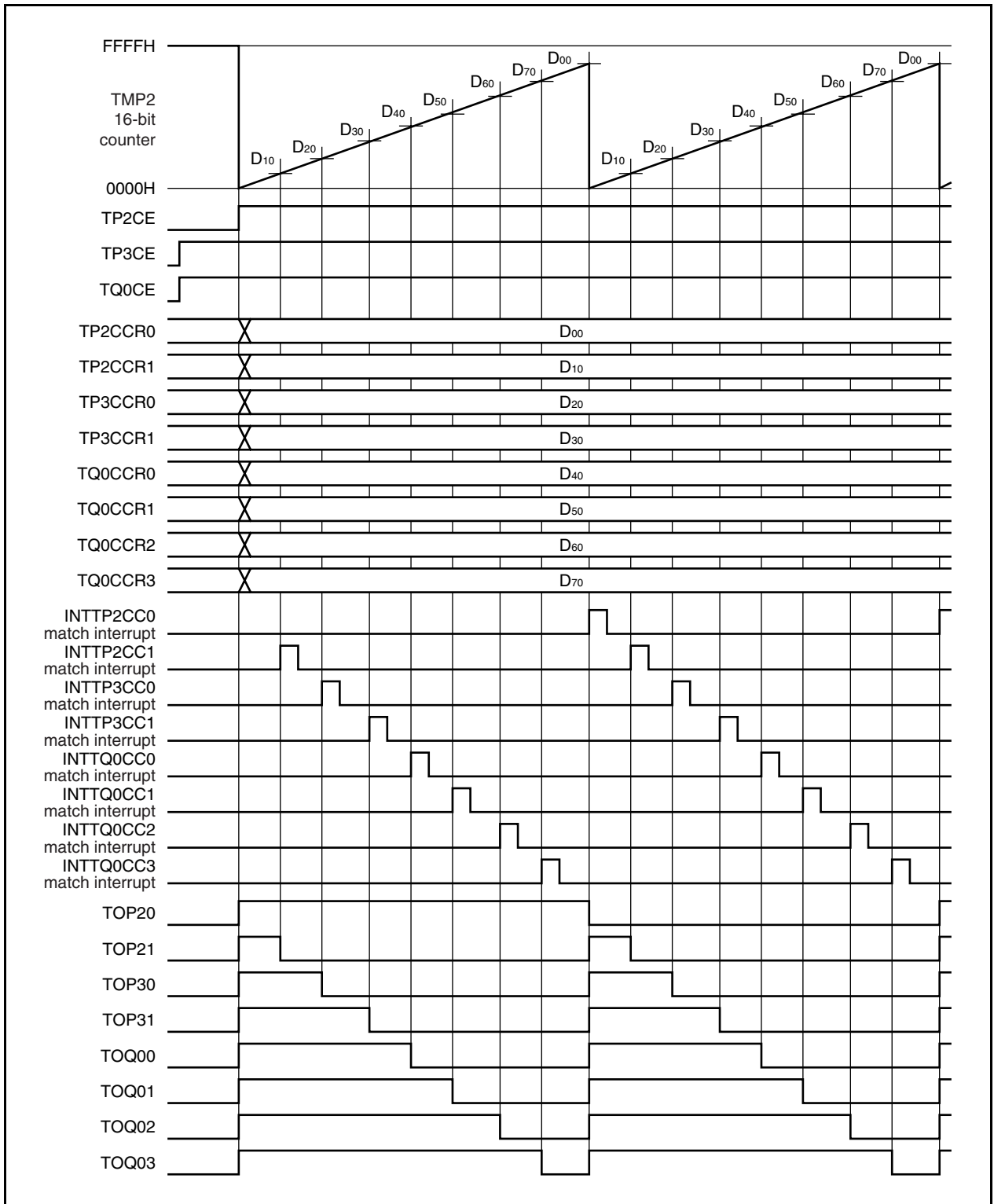


Figure 6-39. Basic Operation Timing of Tuned PWM Function (TMP2, TMP3, TMQ0)



## 6.7 Selector Function

In the V850ES/HG2, the alternate-function pins of port and peripheral I/O (TMP, TMM0, or UARTA) can be used to select the capture trigger input of TMP.

By using this function, the following is possible.

- The TIP10 and TIP11 input signals of TMP1 can be selected from the port/timer alternate-function pins (TIP10 and TIP11 pins) and the UARTA reception alternate-function pins (RXDA0 and RXDA1).  
→ When the RXDA0 or RXDA1 signal of UARTA0 or UARTA1 is selected, the baud rate error of the UARTA LIN reception transfer can be calculated.
- The TIP01 input signal of TMP0 can be selected from the port/timer alternate-function pin (TIP01 pin) and the INTTMM0EQ0 signal of TMM0.

- Cautions**
1. When using the selector function, set the capture trigger input of TMP before connecting the timer.
  2. When setting the selector function, first disable the peripheral I/O to be connected (TMP, TMM0, or UARTA).

The capture input for the selector function is specified by the following register.



**(1) Selector operation control register 0 (SELCNT0)**

The SELCNT0 register is an 8-bit register that selects the capture trigger for TMP0, TMP1, and TMP3.

This register can be read or written in 8-bit or 1-bit units.

Reset sets this register to 00H.

After reset: 00H		R/W	Address: FFFFF308H					
SELCNT0	7	6	5	4	3	2	1	0
	0	0	ISEL05	ISEL04	ISEL03	ISEL02	0	0
ISEL05		Selection of TIP30 input signal (TMP3)						
0		TIP30 pin input						
1		RXDA2 pin input						
ISEL04		Selection of TIP11 input signal (TMP1)						
0		TIP11 pin input						
1		RXDA1 pin input						
ISEL03		Selection of TIP10 input signal (TMP1)						
0		TIP10 pin input						
1		RXDA0 pin input						
ISEL02 <sup>Note</sup>		Selection of TIP01 input signal (TMP0)						
0		TIP01 pin input						
1		INTTM0EQ0 interrupt of TMM0						

**Note** Use the INTTM0EQ0 interrupt signal as the TIP01 input signal under the following condition.

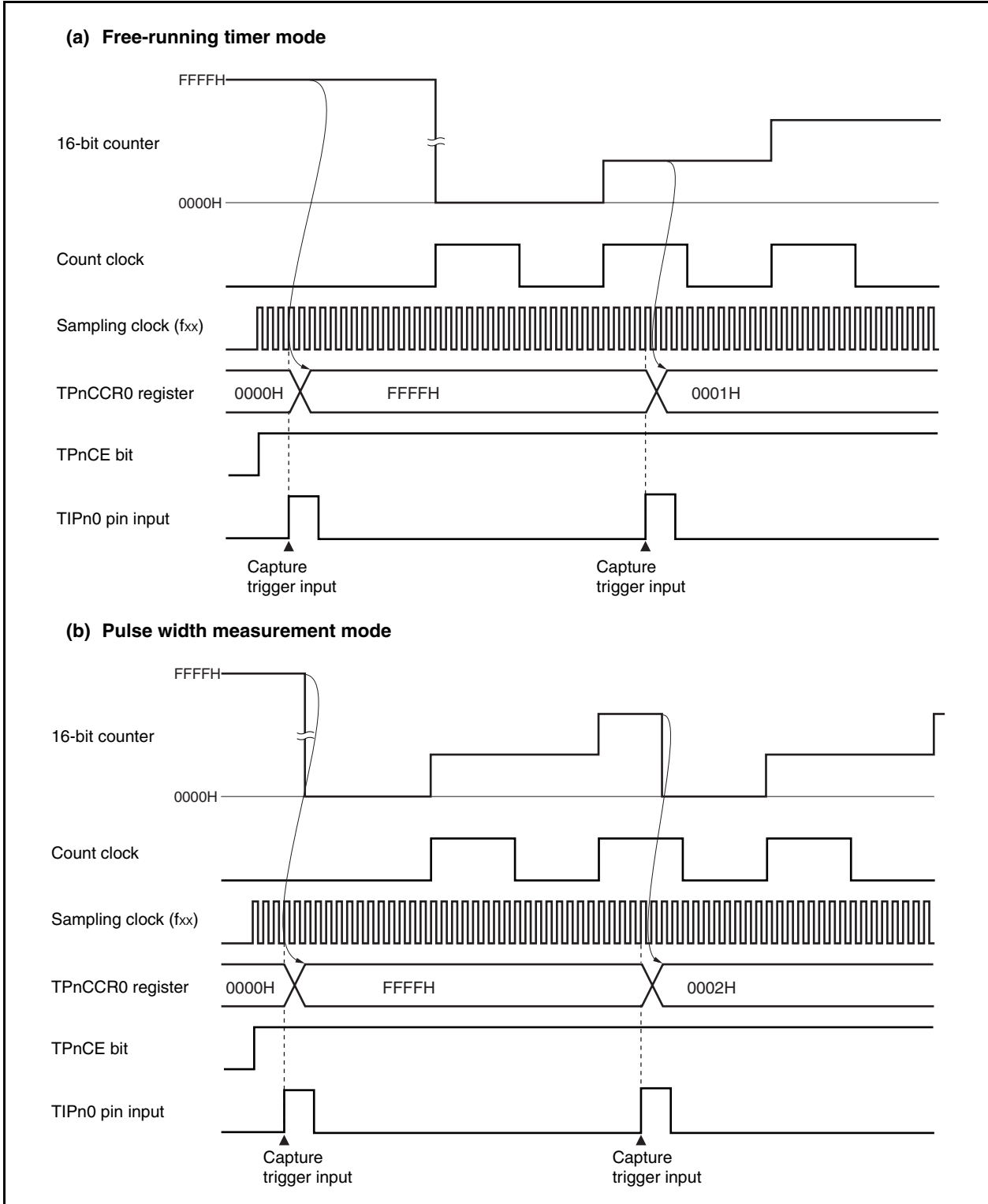
$$\text{TMM operation clock} \geq \text{TMP operation clock} \times 4$$

**Caution** To set the ISEL02 to ISEL05 bits to 1, set the corresponding pin in the capture input mode.

6.8 Cautions

(1) Capture operation

When the capture operation is used and a slow clock is selected as the count clock, FFFFH, not 0000H, may be captured in the TPnCCR0 and TPnCCR1 registers if the capture trigger is input immediately after the TPnCE bit is set to 1.



## CHAPTER 7 16-BIT TIMER/EVENT COUNTER Q (TMQ)

Timer Q (TMQ) is a 16-bit timer/event counter.  
The V850ES/HG2 incorporates TMQ0 and TMQ1.

### 7.1 Overview

An outline of TMQn is shown below.

- Clock selection: 8 ways
- Capture/trigger input pins: 4
- External event count input pins: 1
- External trigger input pins: 1
- Timer/counters: 1
- Capture/compare registers: 4
- Capture/compare match interrupt request signals: 4
- Timer output pins: 4

**Remark** n = 0, 1

### 7.2 Functions

TMQn has the following functions.

- Interval timer
- External event counter
- External trigger pulse output
- One-shot pulse output
- PWM output
- Free-running timer
- Pulse width measurement
- Triangular wave PWM output
- Timer tuned operation function

**Remark** n = 0, 1

### 7.3 Configuration

TMQ0 and TMQ1 include the following hardware.

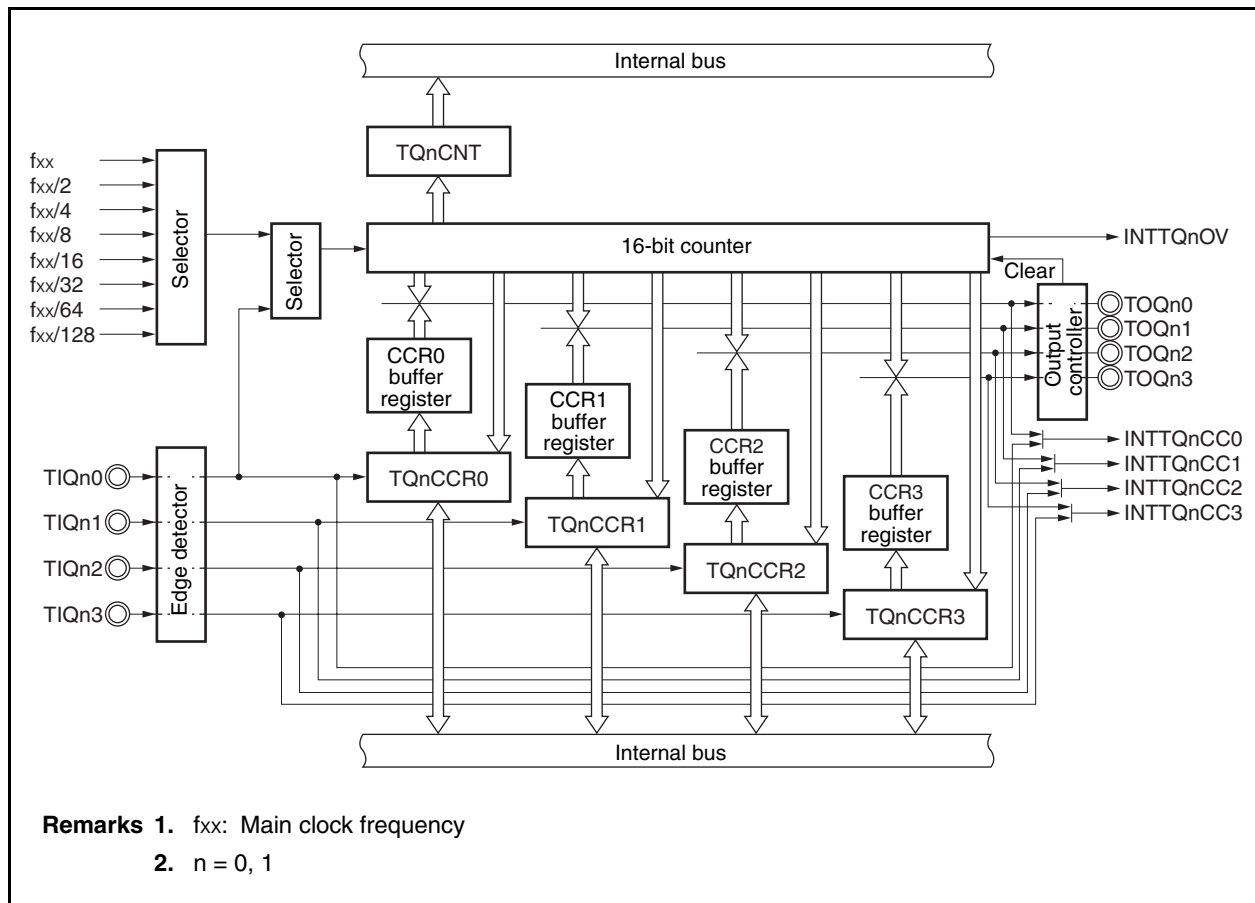
**Table 7-1. Configuration of TMQ0 and TMQ1**

Item	Configuration
Timer register	16-bit counter
Registers	TMQn capture/compare registers 0 to 3 (TQnCCR0 to TQnCCR3) TMQn counter read buffer register (TQnCNT) CCR0 to CCR3 buffer registers
Timer inputs	4 (TIQn0 <sup>Note 1</sup> to TIQn3 pins)
Timer outputs	4 (TOQn0 to TOQn3 pins)
Control registers <sup>Note 2</sup>	TMQn control registers 0, 1 (TQnCTL0, TQnCTL1) TMQn I/O control registers 0 to 2 (TQnIOC0 to TQnIOC2) TMQn option register 0 (TQnOPT0)

**Notes 1.** The TIQn0 pin functions alternately as a capture trigger input signal, external event count input signal, and external trigger input signal.

**2.** When using the functions of the TIQn0 to TIQn3 and TOQn0 to TOQn3 pins, see **Table 4-19 Using Port Pin as Alternate-Function Pin.**

**Figure 7-1. Block Diagram of TMQ0 and TMQ1**



**(1) 16-bit counter**

This 16-bit counter can count internal clocks or external events.

The count value of this counter can be read by using the TQnCNT register.

When the TQnCTL0.TQnCE bit = 0, the value of the 16-bit counter is FFFFH. If the TQnCNT register is read at this time, 0000H is read.

Reset sets the TQnCE bit to 0. Therefore, the 16-bit counter is set to FFFFH.

**(2) CCR0 buffer register**

This is a 16-bit compare register that compares the count value of the 16-bit counter.

When the TQnCCR0 register is used as a compare register, the value written to the TQnCCR0 register is transferred to the CCR0 buffer register. When the count value of the 16-bit counter matches the value of the CCR0 buffer register, a compare match interrupt request signal (INTTQnCC0) is generated.

The CCR0 buffer register cannot be read or written directly.

The CCR0 buffer register is cleared to 0000H after reset, as the TQnCCR0 register is cleared to 0000H.

**(3) CCR1 buffer register**

This is a 16-bit compare register that compares the count value of the 16-bit counter.

When the TQnCCR1 register is used as a compare register, the value written to the TQnCCR1 register is transferred to the CCR1 buffer register. When the count value of the 16-bit counter matches the value of the CCR1 buffer register, a compare match interrupt request signal (INTTQnCC1) is generated.

The CCR1 buffer register cannot be read or written directly.

The CCR1 buffer register is cleared to 0000H after reset, as the TQnCCR1 register is cleared to 0000H.

**(4) CCR2 buffer register**

This is a 16-bit compare register that compares the count value of the 16-bit counter.

When the TQnCCR2 register is used as a compare register, the value written to the TQnCCR2 register is transferred to the CCR2 buffer register. When the count value of the 16-bit counter matches the value of the CCR2 buffer register, a compare match interrupt request signal (INTTQnCC2) is generated.

The CCR2 buffer register cannot be read or written directly.

The CCR2 buffer register is cleared to 0000H after reset, as the TQnCCR2 register is cleared to 0000H.

**(5) CCR3 buffer register**

This is a 16-bit compare register that compares the count value of the 16-bit counter.

When the TQnCCR3 register is used as a compare register, the value written to the TQnCCR3 register is transferred to the CCR3 buffer register. When the count value of the 16-bit counter matches the value of the CCR3 buffer register, a compare match interrupt request signal (INTTQnCC3) is generated.

The CCR3 buffer register cannot be read or written directly.

The CCR3 buffer register is cleared to 0000H after reset, as the TQnCCR3 register is cleared to 0000H.

**(6) Edge detector**

This circuit detects the valid edges input to the TIQn0 and TIQn3 pins. No edge, rising edge, falling edge, or both the rising and falling edges can be selected as the valid edge by using the TQnIOC1 and TQnIOC2 registers.

**(7) Output controller**

This circuit controls the output of the TOQn0 to TOQn3 pins. The output controller is controlled by the TQnIOC0 register.

**(8) Selector**

This selector selects the count clock for the 16-bit counter. Eight types of internal clocks or an external event can be selected as the count clock.

## 7.4 Registers

The registers that control TMQn are as follows.

- TMQn control register 0 (TQnCTL0)
- TMQn control register 1 (TQnCTL1)
- TMQn I/O control register 0 (TQnIOC0)
- TMQn I/O control register 1 (TQnIOC1)
- TMQn I/O control register 2 (TQnIOC2)
- TMQn option register 0 (TQnOPT0)
- TMQn capture/compare register 0 (TQnCCR0)
- TMQn capture/compare register 1 (TQnCCR1)
- TMQn capture/compare register 2 (TQnCCR2)
- TMQn capture/compare register 3 (TQnCCR3)
- TMQn counter read buffer register (TQnCNT)

**Remark** When using the functions of the TIQn0 to TIQn3 and TOQn0 to TOQn3 pins, see **Table 4-19 Using Port Pin as Alternate-Function Pin**.

**(1) TMQn control register 0 (TQnCTL0)**

The TQnCTL0 register is an 8-bit register that controls the operation of TMQn.

This register can be read or written in 8-bit or 1-bit units.

Reset sets this register to 00H.

The same value can always be written to the TQnCTL0 register by software.

After reset: 00H R/W Address: TQ0CTL0 FFFFF540H, TQ1CTL0 FFFFF610H

	7	6	5	4	3	2	1	0
TQnCTL0 (n = 0, 1)	TQnCE	0	0	0	0	TQnCKS2	TQnCKS1	TQnCKS0

TQnCE	TMQn operation control
0	TMQn operation disabled (TMQn reset asynchronously <sup>Note</sup> ).
1	TMQn operation enabled. TMQn operation started.

TQnCKS2	TQnCKS1	TQnCKS0	Internal count clock selection
0	0	0	f <sub>xx</sub>
0	0	1	f <sub>xx</sub> /2
0	1	0	f <sub>xx</sub> /4
0	1	1	f <sub>xx</sub> /8
1	0	0	f <sub>xx</sub> /16
1	0	1	f <sub>xx</sub> /32
1	1	0	f <sub>xx</sub> /64
1	1	1	f <sub>xx</sub> /128

**Note** TQnOPT0.TQnOVF bit, 16-bit counter, timer output (TOQn0 to TOQn3 pins)

**Cautions**

1. Set the TQnCKS2 to TQnCKS0 bits when the TQnCE bit = 0. When the value of the TQnCE bit is changed from 0 to 1, the TQnCKS2 to TQnCKS0 bits can be set simultaneously.
2. Be sure to clear bits 3 to 6 to "0".

**Remark** f<sub>xx</sub>: Main clock frequency



**(2) TMQn control register 1 (TQnCTL1)**

The TQnCTL1 register is an 8-bit register that controls the operation of TMQn.

This register can be read or written in 8-bit or 1-bit units.

Reset sets this register to 00H.

(1/2)

After reset: 00H R/W Address: TQ0CTL1 FFFFF541H, TQ1CTL1 FFFFF611H

	7	6	5	4	3	2	1	0
TQnCTL1 (n = 0, 1)	TQnSYE	TQnEST	TQnEEE	0	0	TQnMD2	TQnMD1	TQnMD0

TQnSYE	Tuned operation mode enable control	
0	Independent operation mode (asynchronous operation mode)	
1	Tuned operation mode (specification of slave operation) In this mode, timer P can operate in synchronization with a master timer.	
	Master timer	Slave timer
	TMP2	TMP3      TMQ0
	For the tuned operation mode, see <b>7.6 Timer Tuned Operation Function</b> .	

TQnEST	Software trigger control
0	–
1	Generate a valid signal for external trigger input. <ul style="list-style-type: none"> <li>• In one-shot pulse output mode: A one-shot pulse is output with writing 1 to the TQnEST bit as the trigger.</li> <li>• In external trigger pulse output mode: A PWM waveform is output with writing 1 to the TQnEST bit as the trigger.</li> </ul>

**Cautions** 1. The TQnEST bit is valid only in the external trigger pulse output mode or one-shot pulse output mode. In any other mode, writing 1 to this bit is ignored.

2. Be sure to clear bits 3 and 4 to “0”.

TQnEEE	Count clock selection
0	Disable operation with external event count input. (Perform counting with the count clock selected by the TQnCTL0.TQnCK0 to TQnCK2 bits.)
1	Enable operation with external event count input. (Perform counting at the valid edge of the external event count input signal.)

The TQnEEE bit selects whether counting is performed with the internal count clock or the valid edge of the external event count input.

TQnMD2	TQnMD1	TQnMD0	Timer mode selection
0	0	0	Interval timer mode
0	0	1	External event count mode
0	1	0	External trigger pulse output mode
0	1	1	One-shot pulse output mode
1	0	0	PWM output mode
1	0	1	Free-running timer mode
1	1	0	Pulse width measurement mode
1	1	1	Triangular wave PWM mode

- Cautions**
- External event count input is selected in the external event count mode regardless of the value of the TQnEEE bit.
  - Set the TQnEEE and TQnMD2 to TQnMD0 bits when the TQnCTL0.TQnCE bit = 0. (The same value can be written when the TQnCE bit = 1.) The operation is not guaranteed when rewriting is performed with the TQnCE bit = 1. If rewriting was mistakenly performed, clear the TQnCE bit to 0 and then set the bits again.

**(3) TMQn I/O control register 0 (TQnIOC0)**

The TQnIOC0 register is an 8-bit register that controls the timer output (TOQn0 to TOQn3 pins).

This register can be read or written in 8-bit or 1-bit units.

Reset sets this register to 00H.

After reset: 00H R/W Address: TQ0IOC0 FFFFF542H, TQ1IOC0 FFFFF612H

	7	6	5	4	3	2	1	0
TQnIOC0 (n = 0, 1)	TQnOL3	TQnOE3	TQnOL2	TQnOE2	TQnOL1	TQnOE1	TQnOL0	TQnOE0

TQnOLm	TOQnm pin output level setting (m = 0 to 3)
0	TOQnm pin output inversion disabled
1	TOQnm pin output inversion enabled

TQnOEm	TOQnm pin output setting (m = 0 to 3)
0	Timer output disabled <ul style="list-style-type: none"> <li>• When TQnOLm bit = 0: Low level is output from the TOQnm pin</li> <li>• When TQnOLm bit = 1: High level is output from the TOQnm pin</li> </ul>
1	Timer output enabled (A square wave is output from the TOQnm pin).

- Cautions**
1. Rewrite the TQnOLm and TQnOEm bits when the TQnCTL0.TQnCE bit = 0. (The same value can be written when the TQnCE bit = 1.) If rewriting was mistakenly performed, clear the TQnCE bit to 0 and then set the bits again.
  2. Even if the TQnOLm bit is manipulated when the TQnCE and TQnOEm bits are 0, the TOQnm pin output level varies.

**Remark** m = 0 to 3

**(4) TMQn I/O control register 1 (TQnIOC1)**

The TQnIOC1 register is an 8-bit register that controls the valid edge of the capture trigger input signals (TIQn0 to TIQn3 pins).

This register can be read or written in 8-bit or 1-bit units.

Reset sets this register to 00H.

After reset: 00H R/W Address: TQ0IOC1 FFFF543H, TQ1IOC1 FFFF613H

TQnIOC1 (n = 0, 1)	7	6	5	4	3	2	1	0
		TQnIS7	TQnIS6	TQnIS5	TQnIS4	TQnIS3	TQnIS2	TQnIS1

TQnIS7	TQnIS6	Capture trigger input signal (TIQn3 pin) valid edge setting
0	0	No edge detection (capture operation invalid)
0	1	Detection of rising edge
1	0	Detection of falling edge
1	1	Detection of both edges

TQnIS5	TQnIS4	Capture trigger input signal (TIQn2 pin) valid edge detection
0	0	No edge detection (capture operation invalid)
0	1	Detection of rising edge
1	0	Detection of falling edge
1	1	Detection of both edges

TQnIS3	TQnIS2	Capture trigger input signal (TIQn1 pin) valid edge setting
0	0	No edge detection (capture operation invalid)
0	1	Detection of rising edge
1	0	Detection of falling edge
1	1	Detection of both edges

TQnIS1	TQnIS0	Capture trigger input signal (TIQn0 pin) valid edge setting
0	0	No edge detection (capture operation invalid)
0	1	Detection of rising edge
1	0	Detection of falling edge
1	1	Detection of both edges

- Cautions**
1. Rewrite the TQnIS7 to TQnIS0 bits when the TQnCTL0.TQnCE bit = 0. (The same value can be written when the TQnCE bit = 1.) If rewriting was mistakenly performed, clear the TQnCE bit to 0 and then set the bits again.
  2. The TQnIS7 to TQnIS0 bits are valid only in the free-running timer mode and the pulse width measurement mode. In all other modes, a capture operation is not possible.

**(5) TMQn I/O control register 2 (TQnIOC2)**

The TQnIOC2 register is an 8-bit register that controls the valid edge of the external event count input signal (TIQn0 pin) and external trigger input signal (TIQn0 pin).

This register can be read or written in 8-bit or 1-bit units.

Reset sets this register to 00H.

After reset: 00H    R/W    Address:    TQ0IOC2 FFFFF544H, TQ1IOC2 FFFFF614H

	7	6	5	4	3	2	1	0
TQnIOC2 (n = 0, 1)	0	0	0	0	TQnEES1	TQnEES0	TQnETS1	TQnETS0

TQnEES1	TQnEES0	External event count input signal (TIQn0 pin) valid edge setting
0	0	No edge detection (external event count invalid)
0	1	Detection of rising edge
1	0	Detection of falling edge
1	1	Detection of both edges

TQnETS1	TQnETS0	External trigger input signal (TIQn0 pin) valid edge setting
0	0	No edge detection (external trigger invalid)
0	1	Detection of rising edge
1	0	Detection of falling edge
1	1	Detection of both edges

- Cautions**
1. Rewrite the TQnEES1, TQnEES0, TQnETS1, and TQnETS0 bits when the TQnCTL0.TQnCE bit = 0. (The same value can be written when the TQnCE bit = 1.) If rewriting was mistakenly performed, clear the TQnCE bit to 0 and then set the bits again.
  2. The TQnEES1 and TQnEES0 bits are valid only when the TQnCTL1.TQnEEE bit = 1 or when the external event count mode (TQnCTL1.TQnMD2 to TQnCTL1.TQnMD0 bits = 001) has been set.
  3. The TQnETS1 and TQnETS0 bits are valid only when the external trigger pulse output mode (TQnCTL1.TQnMD2 to TQnCTL1.TQnMD0 bits = 010) or the one-shot pulse output mode (TQnCTL1.TQnMD2 to TQnCTL1.TQnMD0 = 011) is set.

**(6) TMQn option register 0 (TQnOPT0)**

The TQnOPT0 register is an 8-bit register used to set the capture/compare operation and detect an overflow.

This register can be read or written in 8-bit or 1-bit units.

Reset sets this register to 00H.

After reset: 00H R/W Address: TQ0OPT0 FFFF545H, TQ1OPT0 FFFF615H

	7	6	5	4	3	2	1	0
TQnOPT0 (n = 0, 1)	TQnCCS3	TQnCCS2	TQnCCS1	TQnCCS0	0	0	0	TQnOVF

TQnCCSm	TQnCCRm register capture/compare selection
0	Compare register selected
1	Capture register selected
The TQnCCSm bit setting is valid only in the free-running timer mode.	

TQnOVF	TMQn overflow detection
Set (1)	Overflow occurred
Reset (0)	TQnOVF bit 0 written or TQnCTL0.TQnCE bit = 0
<ul style="list-style-type: none"> <li>• The TQnOVF bit is set to 1 when the 16-bit counter count value overflows from FFFFH to 0000H in the free-running timer mode or the pulse width measurement mode.</li> <li>• An interrupt request signal (INTTQnOV) is generated at the same time that the TQnOVF bit is set to 1. The INTTQnOV signal is not generated in modes other than the free-running timer mode and the pulse width measurement mode.</li> <li>• The TQnOVF bit is not cleared even when the TQnOVF bit or the TQnOPT0 register are read when the TQnOVF bit = 1.</li> <li>• The TQnOVF bit can be both read and written, but the TQnOVF bit cannot be set to 1 by software. Writing 1 has no influence on the operation of TMQn.</li> </ul>	

**Cautions**

1. Rewrite the TQnCCS3 to TQnCCS0 bits when the TQnCTL0.TQnCE bit = 0. (The same value can be written when the TQnCE bit = 1.) If rewriting was mistakenly performed, clear the TQnCE bit to 0 and then set the bits again.

2. Be sure to clear bits 1 to 3 to "0".

**Remark** m = 0 to 3

**(7) TMQn capture/compare register 0 (TQnCCR0)**

The TQnCCR0 register can be used as a capture register or a compare register depending on the mode.

This register can be used as a capture register or a compare register only in the free-running timer mode, depending on the setting of the TQnOPT0.TQnCCS0 bit. In the pulse width measurement mode, the TQnCCR0 register can be used only as a capture register. In any other mode, this register can be used only as a compare register.

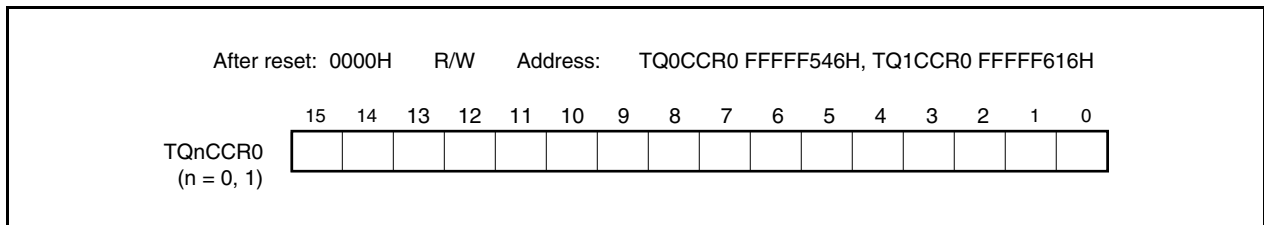
The TQnCCR0 register can be read or written during operation.

This register can be read or written in 16-bit units.

Reset sets this register to 0000H.

**Caution** Accessing the TQnCCR0 register is prohibited in the following statuses. For details, see 3.4.8 (2) Accessing specific on-chip peripheral I/O registers.

- When the CPU operates with the subclock and the main clock oscillation is stopped
- When the CPU operates with the internal oscillation clock



**(a) Function as compare register**

The TQnCCR0 register can be rewritten even when the TQnCTL0.TQnCE bit = 1.

The set value of the TQnCCR0 register is transferred to the CCR0 buffer register. When the value of the 16-bit counter matches the value of the CCR0 buffer register, a compare match interrupt request signal (INTTQnCC0) is generated. If TOQn0 pin output is enabled at this time, the output of the TOQn0 pin is inverted.

When the TQnCCR0 register is used as a cycle register in the interval timer mode, external event count mode, external trigger pulse output mode, one-shot pulse output mode, PWM output mode, or triangular wave PWM mode, the value of the 16-bit counter is cleared (0000H) if its count value matches the value of the CCR0 buffer register.

**(b) Function as capture register**

When the TQnCCR0 register is used as a capture register in the free-running timer mode, the count value of the 16-bit counter is stored in the TQnCCR0 register if the valid edge of the capture trigger input pin (TIQn0 pin) is detected. In the pulse-width measurement mode, the count value of the 16-bit counter is stored in the TQnCCR0 register and the 16-bit counter is cleared (0000H) if the valid edge of the capture trigger input pin (TIQn0 pin) is detected.

Even if the capture operation and reading the TQnCCR0 register conflict, the correct value of the TQnCCR0 register can be read.

**Remark** n = 0, 1

The following table shows the functions of the capture/compare register in each mode, and how to write data to the compare register.

**Table 7-2. Function of Capture/Compare Register in Each Mode and How to Write Compare Register**

Operation Mode	Capture/Compare Register	How to Write Compare Register
Interval timer	Compare register	Anytime write
External event counter	Compare register	Anytime write
External trigger pulse output	Compare register	Batch write
One-shot pulse output	Compare register	Anytime write
PWM output	Compare register	Batch write
Free-running timer	Capture/compare register	Anytime write
Pulse width measurement	Capture register	–
Triangular wave PWM mode	Compare register	Batch write



**(8) TMQn capture/compare register 1 (TQnCCR1)**

The TQnCCR1 register can be used as a capture register or a compare register depending on the mode.

This register can be used as a capture register or a compare register only in the free-running timer mode, depending on the setting of the TQnOPT0.TQnCCS1 bit. In the pulse width measurement mode, the TQnCCR1 register can be used only as a capture register. In any other mode, this register can be used only as a compare register.

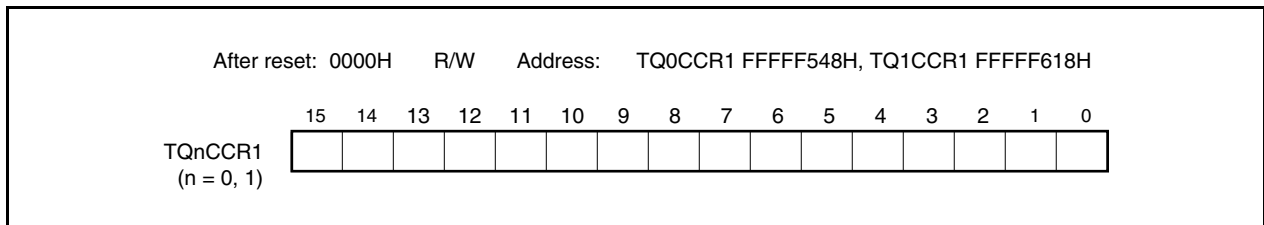
The TQnCCR1 register can be read or written during operation.

This register can be read or written in 16-bit units.

Reset sets this register to 0000H.

**Caution** Accessing the TQnCCR1 register is prohibited in the following statuses. For details, see 3.4.8 (2) Accessing specific on-chip peripheral I/O registers.

- When the CPU operates with the subclock and the main clock oscillation is stopped
- When the CPU operates with the internal oscillation clock



**(a) Function as compare register**

The TQnCCR1 register can be rewritten even when the TQnCTL0.TQnCE bit = 1.

The set value of the TQnCCR1 register is transferred to the CCR1 buffer register. When the value of the 16-bit counter matches the value of the CCR1 buffer register, a compare match interrupt request signal (INTTQnCC1) is generated. If TOQn1 pin output is enabled at this time, the output of the TOQn1 pin is inverted.

**(b) Function as capture register**

When the TQnCCR1 register is used as a capture register in the free-running timer mode, the count value of the 16-bit counter is stored in the TQnCCR1 register if the valid edge of the capture trigger input pin (TIQn1 pin) is detected. In the pulse-width measurement mode, the count value of the 16-bit counter is stored in the TQnCCR1 register and the 16-bit counter is cleared (0000H) if the valid edge of the capture trigger input pin (TIQn1 pin) is detected.

Even if the capture operation and reading the TQnCCR1 register conflict, the correct value of the TQnCCR1 register can be read.

**Remark** n = 0, 1

The following table shows the functions of the capture/compare register in each mode, and how to write data to the compare register.

**Table 7-3. Function of Capture/Compare Register in Each Mode and How to Write Compare Register**

Operation Mode	Capture/Compare Register	How to Write Compare Register
Interval timer	Compare register	Anytime write
External event counter	Compare register	Anytime write
External trigger pulse output	Compare register	Batch write
One-shot pulse output	Compare register	Anytime write
PWM output	Compare register	Batch write
Free-running timer	Capture/compare register	Anytime write
Pulse width measurement	Capture register	–
Triangular wave PWM mode	Compare register	Batch write



**(a) Function as compare register**

The TQnCCR2 register can be rewritten even when the TQnCTL0.TQnCE bit = 1.

The set value of the TQnCCR2 register is transferred to the CCR2 buffer register. When the value of the 16-bit counter matches the value of the CCR2 buffer register, a compare match interrupt request signal (INTTQnCC2) is generated. If TOQn2 pin output is enabled at this time, the output of the TOQn2 pin is inverted.

**(b) Function as capture register**

When the TQnCCR2 register is used as a capture register in the free-running timer mode, the count value of the 16-bit counter is stored in the TQnCCR2 register if the valid edge of the capture trigger input pin (TIQn2 pin) is detected. In the pulse-width measurement mode, the count value of the 16-bit counter is stored in the TQnCCR2 register and the 16-bit counter is cleared (0000H) if the valid edge of the capture trigger input pin (TIQn2 pin) is detected.

Even if the capture operation and reading the TQnCCR2 register conflict, the correct value of the TQnCCR2 register can be read.

**Remark** n = 0, 1

The following table shows the functions of the capture/compare register in each mode, and how to write data to the compare register.

**Table 7-4. Function of Capture/Compare Register in Each Mode and How to Write Compare Register**

Operation Mode	Capture/Compare Register	How to Write Compare Register
Interval timer	Compare register	Anytime write
External event counter	Compare register	Anytime write
External trigger pulse output	Compare register	Batch write
One-shot pulse output	Compare register	Anytime write
PWM output	Compare register	Batch write
Free-running timer	Capture/compare register	Anytime write
Pulse width measurement	Capture register	–
Triangular wave PWM mode	Compare register	Batch write

**(10) TMQn capture/compare register 3 (TQnCCR3)**

The TQnCCR3 register can be used as a capture register or a compare register depending on the mode.

This register can be used as a capture register or a compare register only in the free-running timer mode, depending on the setting of the TQnOPT0.TQnCCS3 bit. In the pulse width measurement mode, the TQnCCR3 register can be used only as a capture register. In any other mode, this register can be used only as a compare register.

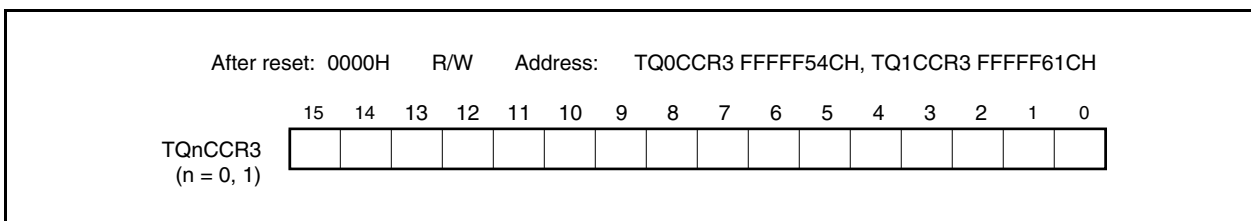
The TQnCCR3 register can be read or written during operation.

This register can be read or written in 16-bit units.

Reset sets this register to 0000H.

**Caution** Accessing the TQnCCR3 register is prohibited in the following statuses. For details, see 3.4.8 (2) Accessing specific on-chip peripheral I/O registers.

- When the CPU operates with the subclock and the main clock oscillation is stopped
- When the CPU operates with the internal oscillation clock



**(a) Function as compare register**

The TQnCCR3 register can be rewritten even when the TQnCTL0.TQnCE bit = 1.

The set value of the TQnCCR3 register is transferred to the CCR3 buffer register. When the value of the 16-bit counter matches the value of the CCR3 buffer register, a compare match interrupt request signal (INTTQnCC3) is generated. If TOQn3 pin output is enabled at this time, the output of the TOQn3 pin is inverted.

**(b) Function as capture register**

When the TQnCCR3 register is used as a capture register in the free-running timer mode, the count value of the 16-bit counter is stored in the TQnCCR3 register if the valid edge of the capture trigger input pin (TIQn3 pin) is detected. In the pulse-width measurement mode, the count value of the 16-bit counter is stored in the TQnCCR3 register and the 16-bit counter is cleared (0000H) if the valid edge of the capture trigger input pin (TIQn3 pin) is detected.

Even if the capture operation and reading the TQnCCR3 register conflict, the correct value of the TQnCCR3 register can be read.

**Remark** n = 0, 1

The following table shows the functions of the capture/compare register in each mode, and how to write data to the compare register.

**Table 7-5. Function of Capture/Compare Register in Each Mode and How to Write Compare Register**

Operation Mode	Capture/Compare Register	How to Write Compare Register
Interval timer	Compare register	Anytime write
External event counter	Compare register	Anytime write
External trigger pulse output	Compare register	Batch write
One-shot pulse output	Compare register	Anytime write
PWM output	Compare register	Batch write
Free-running timer	Capture/compare register	Anytime write
Pulse width measurement	Capture register	–
Triangular wave PWM mode	Compare register	Batch write

**(11) TMQn counter read buffer register (TQnCNT)**

The TQnCNT register is a read buffer register that can read the count value of the 16-bit counter.

If this register is read when the TQnCTL0.TQnCE bit = 1, the count value of the 16-bit timer can be read.

This register is read-only, in 16-bit units.

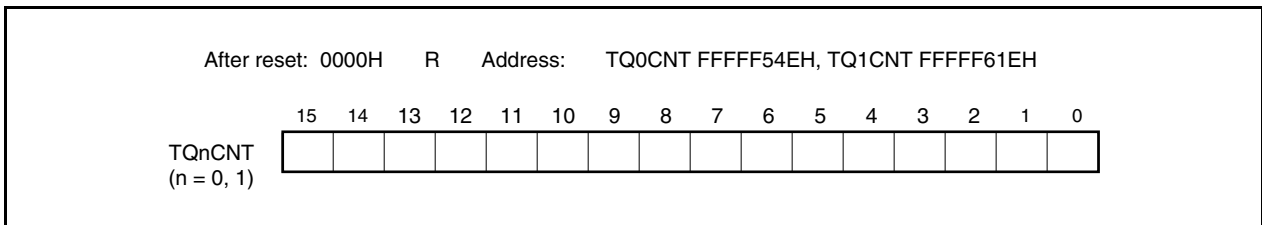
The value of the TQnCNT register is cleared to 0000H when the TQnCE bit = 0. If the TQnCNT register is read at this time, the value of the 16-bit counter (FFFFH) is not read, but 0000H is read.

The value of the TQnCNT register is cleared to 0000H after reset, as the TQnCE bit is cleared to 0.

**Caution** Accessing the TQnCNT register is prohibited in the following statuses. For details, see 3.4.8

**(2) Accessing specific on-chip peripheral I/O registers.**

- When the CPU operates with the subclock and the main clock oscillation is stopped
- When the CPU operates with the internal oscillation clock



**(12) TIQnm pin noise elimination control register (QnmNFC)**

The QnmNFC register is an 8-bit register that sets the digital noise filter of the timer Q input pin for noise elimination.

This register can be read or written in 8-bit or 1-bit units.

Reset sets this register to 00H.

After reset: 00H    R/W    Address: Q00NFC: FFFFFB50H (TIQ00 pin)  
 Q01NFC: FFFFFB54H (TIQ01 pin)  
 Q02NFC: FFFFFB58H (TIQ02 pin)  
 Q03NFC: FFFFFB5CH (TIQ03 pin)  
 Q10NFC: FFFFFB60H (TIQ10 pin)  
 Q11NFC: FFFFFB64H (TIQ11 pin)  
 Q12NFC: FFFFFB68H (TIQ12 pin)  
 Q13NFC: FFFFFB6CH (TIQ13 pin)

	7	6	5	4	3	2	1	0
QnmNFC	0	NFSTS	0	0	0	NFC2	NFC1	NFC0

(n = 0, 1, m = 0 to 3)

NFSTS	Setting of number of times of sampling by digital noise filter
0	3 times
1	2 times

NFC2	NFC1	NFC0	Sampling clock
0	0	0	$f_{xx}$
0	0	1	$f_{xx}/2$
0	1	0	$f_{xx}/4$
0	1	1	$f_{xx}/16$
1	0	0	$f_{xx}/32$
1	0	1	$f_{xx}/64$
Other than above			Setting prohibited

- Cautions**
1. Be sure to clear bits 3 to 5 and 7 to "0".
  2. A signal input to the timer input pin (TIQnm) before the QnmNFC register is set is output with digital noise eliminated. Therefore, set the sampling clock (NFC2 to NFC0) and the number of times of sampling (NFSTS) by using the QnmNFC register, wait for initialization time = (Sampling clock) × (Number of times of sampling), and enable the timer operation.

**Remark** The width of the noise that can be accurately eliminated is (Sampling clock) × (Number of times of sampling – 1). Even noise with a width narrower than this may cause a miscount if it is synchronized with the sampling clock.



## 7.5 Operation

TMQn can perform the following operations.

Operation	TQnCTL1.TQnEST Bit (Software Trigger Bit)	TIQn0 Pin (External Trigger Input)	Capture/Compare Register Setting	Compare Register Write
Interval timer mode	Invalid	Invalid	Compare only	Anytime write
External event count mode <sup>Note 1</sup>	Invalid	Invalid	Compare only	Anytime write
External trigger pulse output mode <sup>Note 2</sup>	Valid	Valid	Compare only	Batch write
One-shot pulse output mode <sup>Note 2</sup>	Valid	Valid	Compare only	Anytime write
PWM output mode	Invalid	Invalid	Compare only	Batch write
Free-running timer mode	Invalid	Invalid	Switching enabled	Anytime write
Pulse width measurement mode <sup>Note 2</sup>	Invalid	Invalid	Capture only	Not applicable
Triangular wave PWM mode	Invalid	Invalid	Compare only	Batch write

- Notes 1.** To use the external event count mode, specify that the valid edge of the TIQn0 pin capture trigger input is not detected (by clearing the TQnIOC1.TQnIS1 and TQnIOC1.TQnIS0 bits to “00”).
- 2.** When using the external trigger pulse output mode, one-shot pulse output mode, and pulse width measurement mode, select the internal clock as the count clock (by clearing the TQnCTL1.TQnEEE bit to 0).

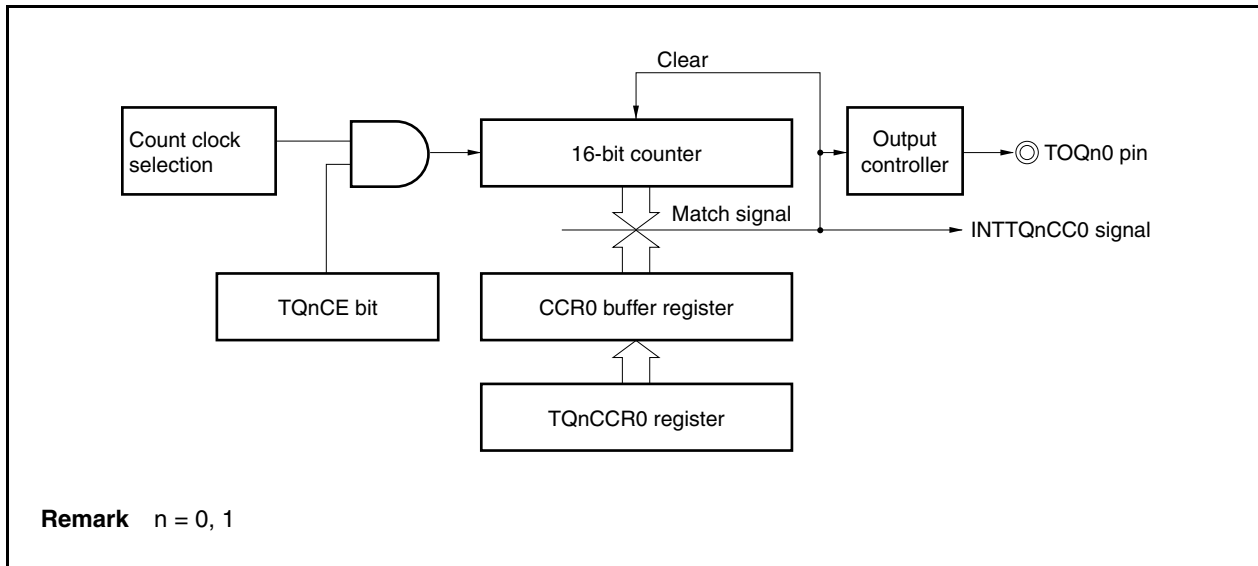
**Remark** n = 0, 1

**7.5.1 Interval timer mode (TQnMD2 to TQnMD0 bits = 000)**

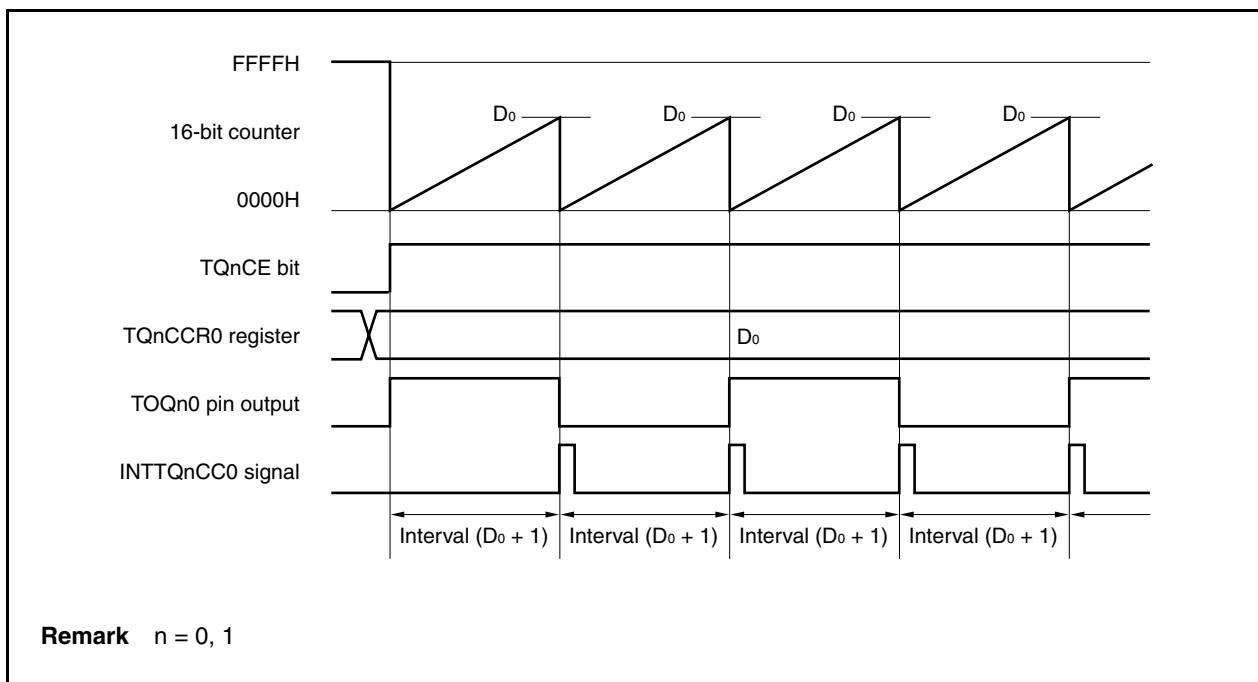
In the interval timer mode, an interrupt request signal (INTTQnCC0) is generated at the specified interval if the TQnCTL0.TQnCE bit is set to 1. A square wave whose half cycle is equal to the interval can be output from the TOQn0 pin.

Usually, the TQnCCR1 to TQnCCR3 registers are not used in the interval timer mode.

**Figure 7-2. Configuration of Interval Timer**



**Figure 7-3. Basic Timing of Operation in Interval Timer Mode**



When the TQnCE bit is set to 1, the value of the 16-bit counter is cleared from FFFFH to 0000H in synchronization with the count clock, and the counter starts counting. At this time, the output of the TOQn0 pin is inverted. Additionally, the set value of the TQnCCR0 register is transferred to the CCR0 buffer register.

When the count value of the 16-bit counter matches the value of the CCR0 buffer register, the 16-bit counter is cleared to 0000H, the output of the TOQn0 pin is inverted, and a compare match interrupt request signal (INTTQnCC0) is generated.

The interval can be calculated by the following expression.

$$\text{Interval} = (\text{Set value of TQnCCR0 register} + 1) \times \text{Count clock cycle}$$

Figure 7-4. Register Setting for Interval Timer Mode Operation (1/2)

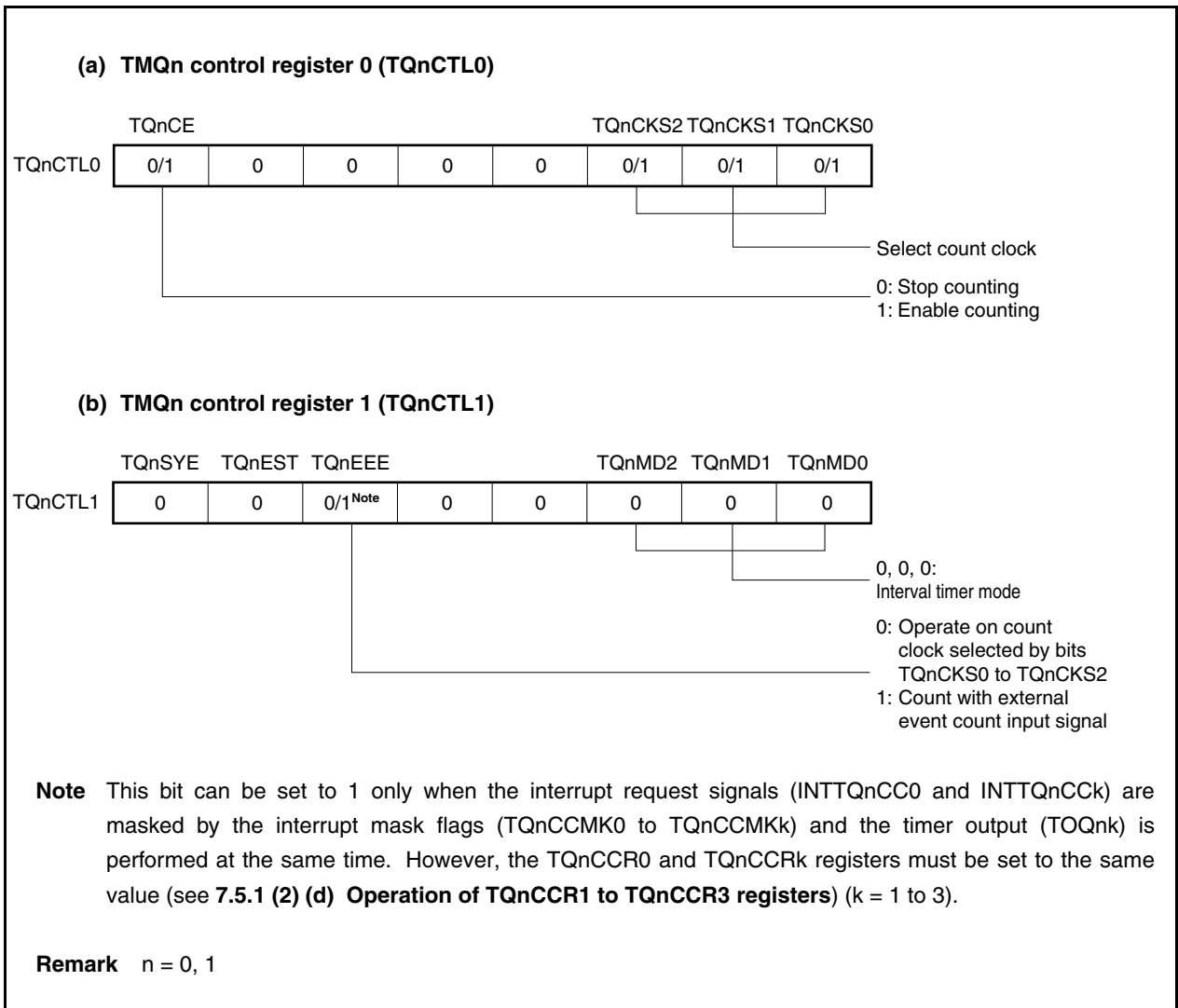
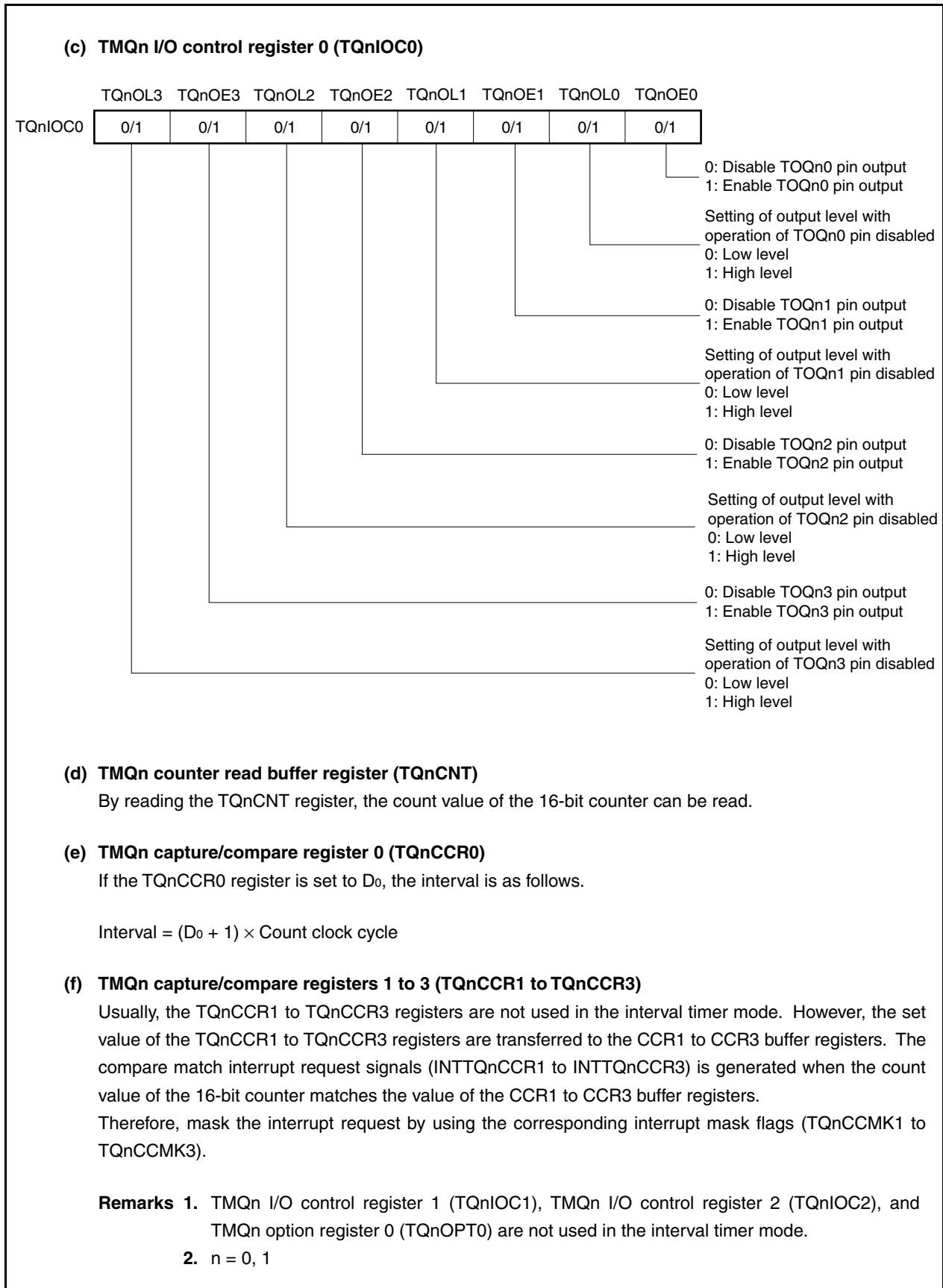
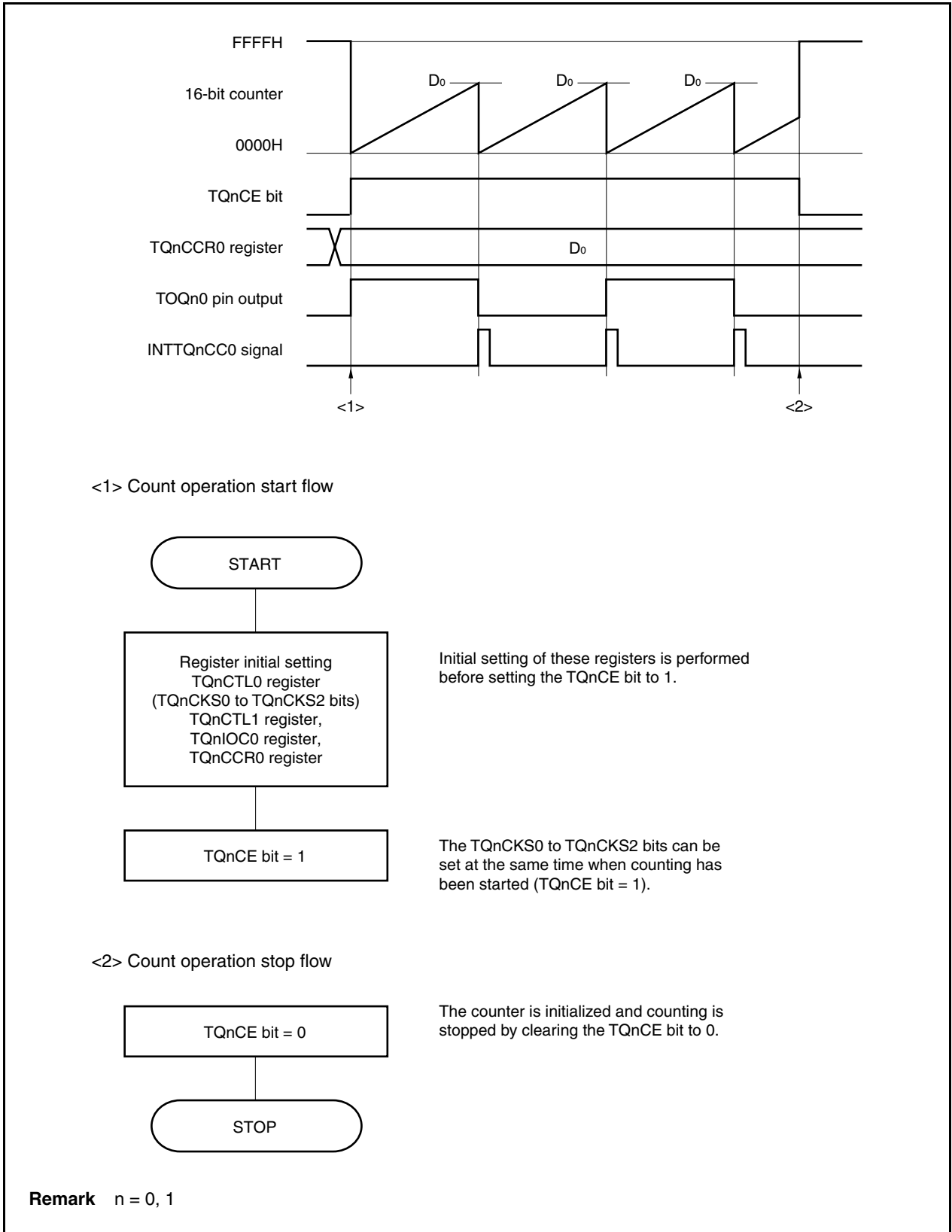


Figure 7-4. Register Setting for Interval Timer Mode Operation (2/2)



(1) Interval timer mode operation flow

Figure 7-5. Software Processing Flow in Interval Timer Mode

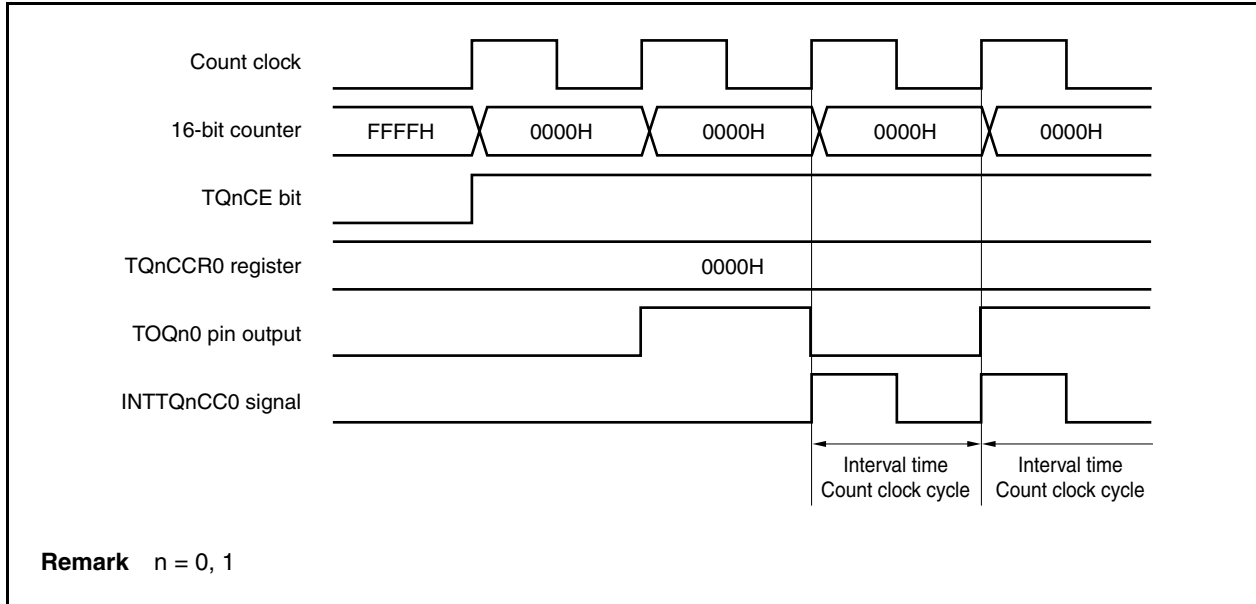


(2) Interval timer mode operation timing

(a) Operation if TQnCCR0 register is set to 0000H

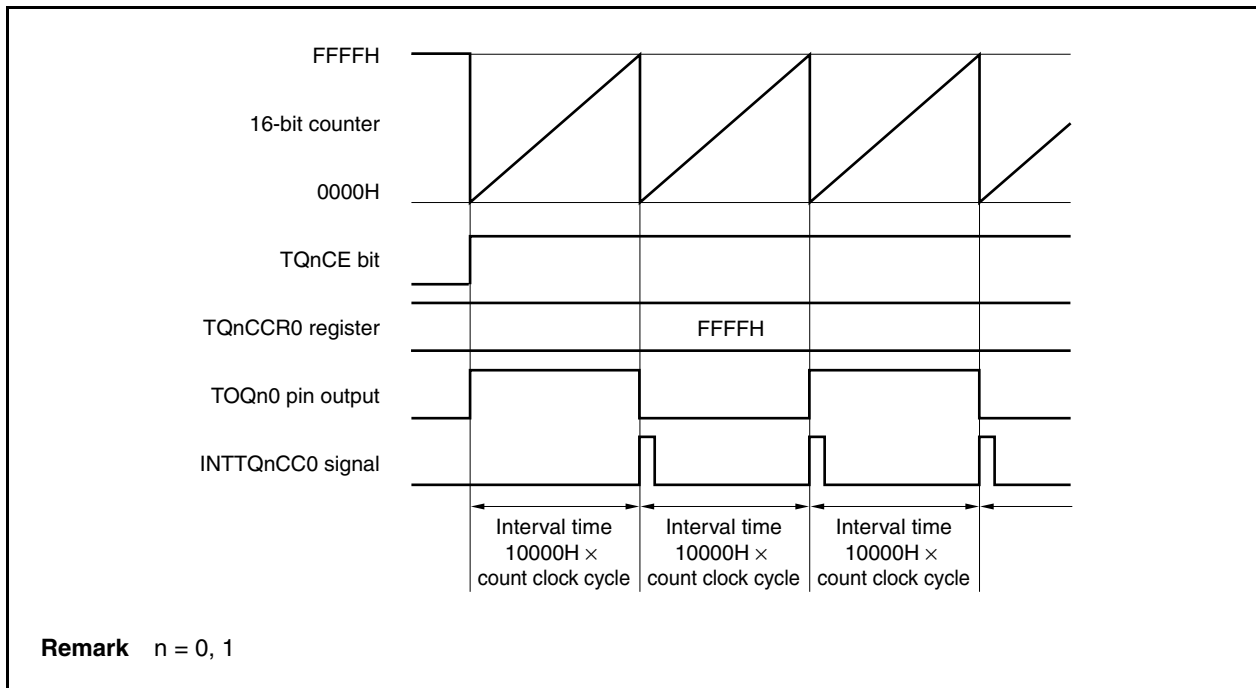
If the TQnCCR0 register is set to 0000H, the INTTQnCC0 signal is generated at each count clock subsequent to the first count clock, and the output of the TOQn0 pin is inverted.

The value of the 16-bit counter is always 0000H.



(b) Operation if TQnCCR0 register is set to FFFFH

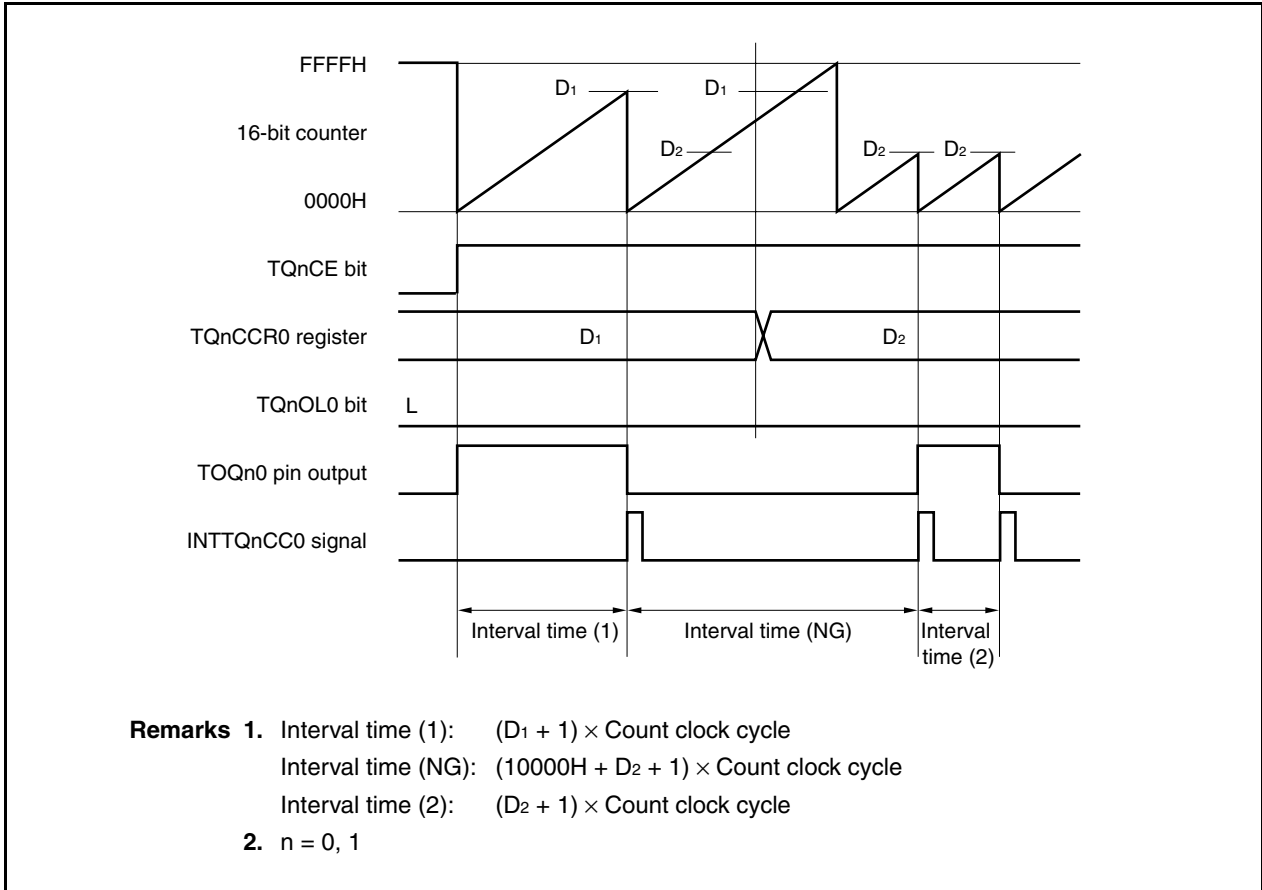
If the TQnCCR0 register is set to FFFFH, the 16-bit counter counts up to FFFFH. The counter is cleared to 0000H in synchronization with the next count-up timing. The INTTQnCC0 signal is generated and the output of the TOQn0 pin is inverted. At this time, an overflow interrupt request signal (INTTQnOV) is not generated, nor is the overflow flag (TQnOPT0.TQnOVF bit) set to 1.



**(c) Notes on rewriting TQnCCR0 register**

To change the value of the TQnCCR0 register to a smaller value, stop counting once and then change the set value.

If the value of the TQnCCR0 register is rewritten to a smaller value during counting, the 16-bit counter may overflow.



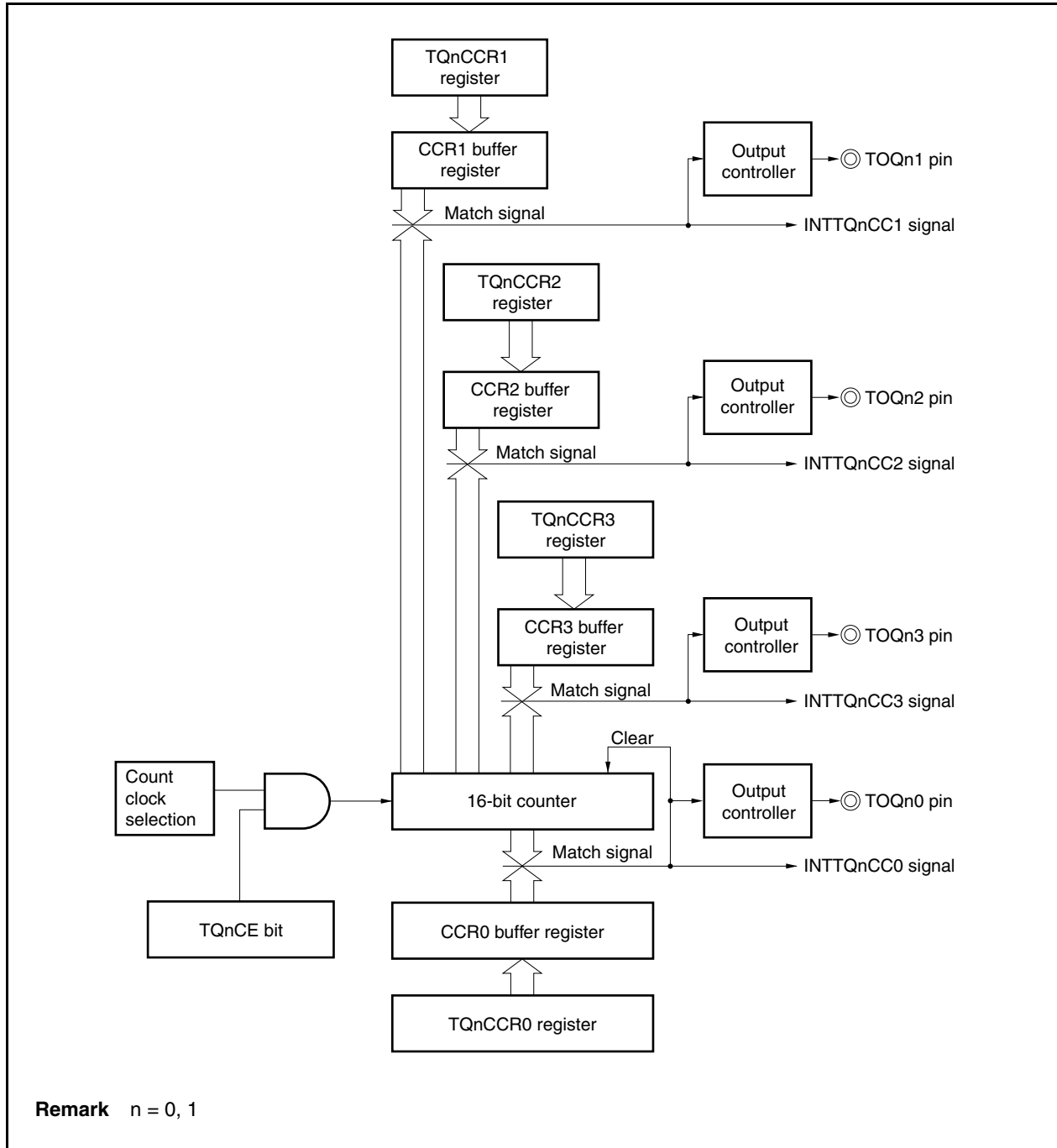
If the value of the TQnCCR0 register is changed from  $D_1$  to  $D_2$  while the count value is greater than  $D_2$  but less than  $D_1$ , the count value is transferred to the CCR0 buffer register as soon as the TQnCCR0 register has been rewritten. Consequently, the value of the 16-bit counter that is compared is  $D_2$ .

Because the count value has already exceeded  $D_2$ , however, the 16-bit counter counts up to FFFFH, overflows, and then counts up again from 0000H. When the count value matches  $D_2$ , the INTTQnCC0 signal is generated and the output of the TOQn0 pin is inverted.

Therefore, the INTTQnCC0 signal may not be generated at the interval time " $(D_1 + 1) \times \text{Count clock cycle}$ " or " $(D_2 + 1) \times \text{Count clock cycle}$ " originally expected, but may be generated at an interval of " $(10000H + D_2 + 1) \times \text{Count clock period}$ ".

## (d) Operation of TQnCCR1 to TQnCCR3 registers

Figure 7-6. Configuration of TQnCCR1 to TQnCCR3 Registers



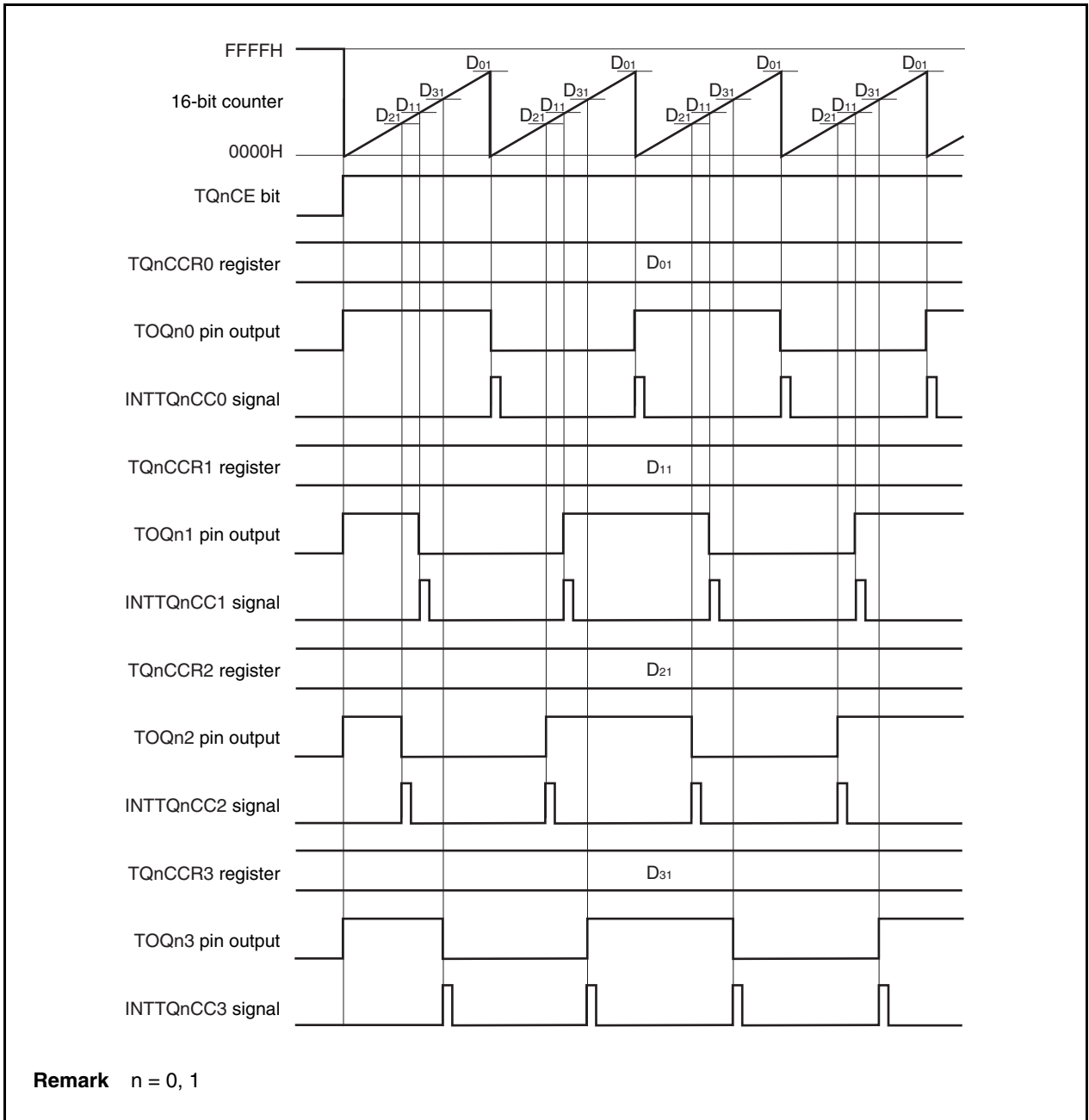


If the set value of the TQnCCRk register is less than the set value of the TQnCCR0 register, the INTTQnCCk signal is generated once per cycle. At the same time, the output of the TOPQnk pin is inverted.

The TOQnk pin outputs a square wave with the same cycle as that output by the TOQn0 pin.

**Remark** k = 1 to 3,  
n = 0, 1

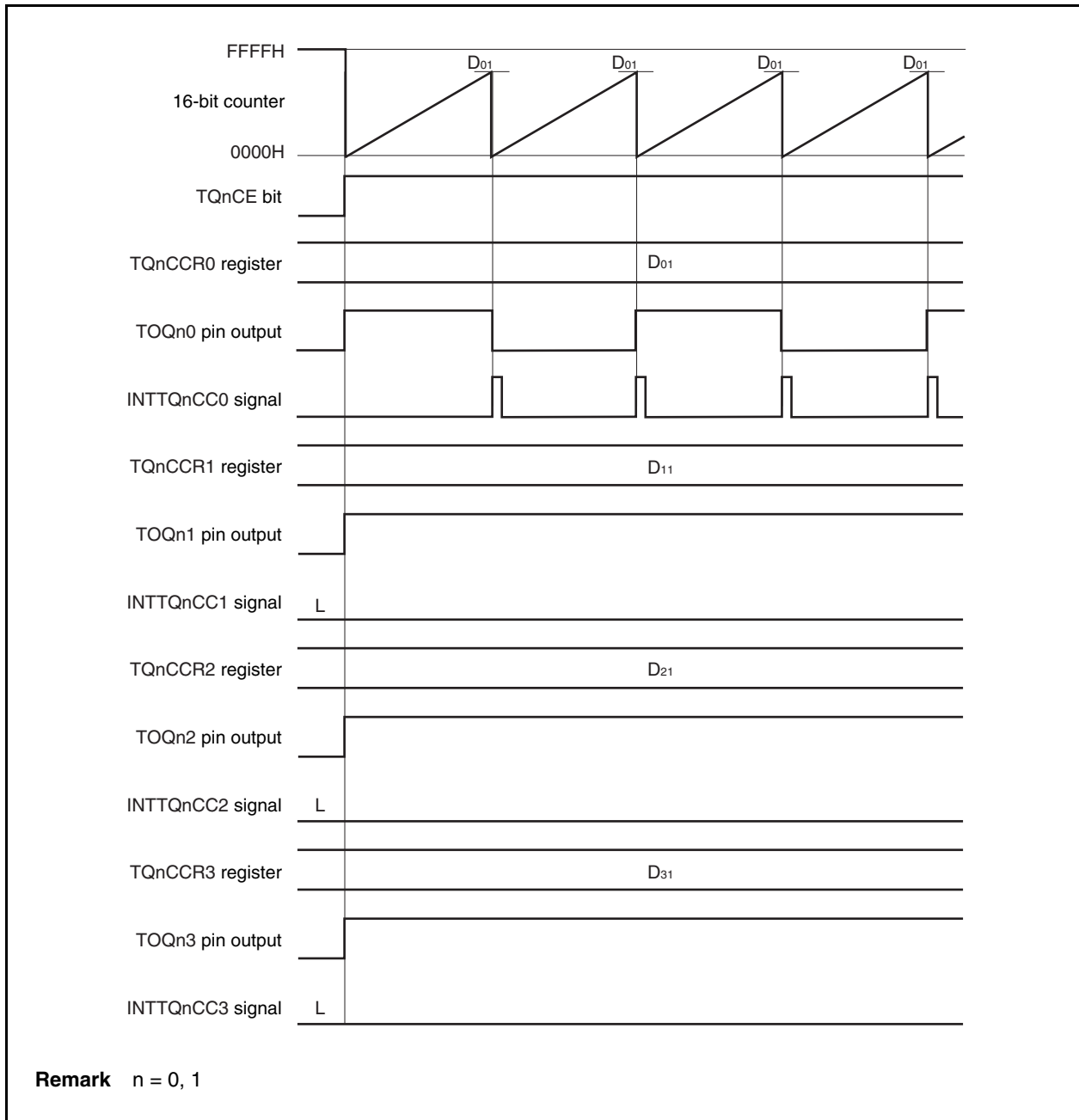
Figure 7-7. Timing Chart When  $D_{01} \geq D_{k1}$



If the set value of the TQnCCRk register is greater than the set value of the TQnCCR0 register, the count value of the 16-bit counter does not match the value of the TQnCCRk register. Consequently, the INTTQnCCk signal is not generated, nor is the output of the TOQnk pin changed.

**Remark** k = 1 to 3,  
n = 0, 1

**Figure 7-8. Timing Chart When  $D_{01} < D_{k1}$**

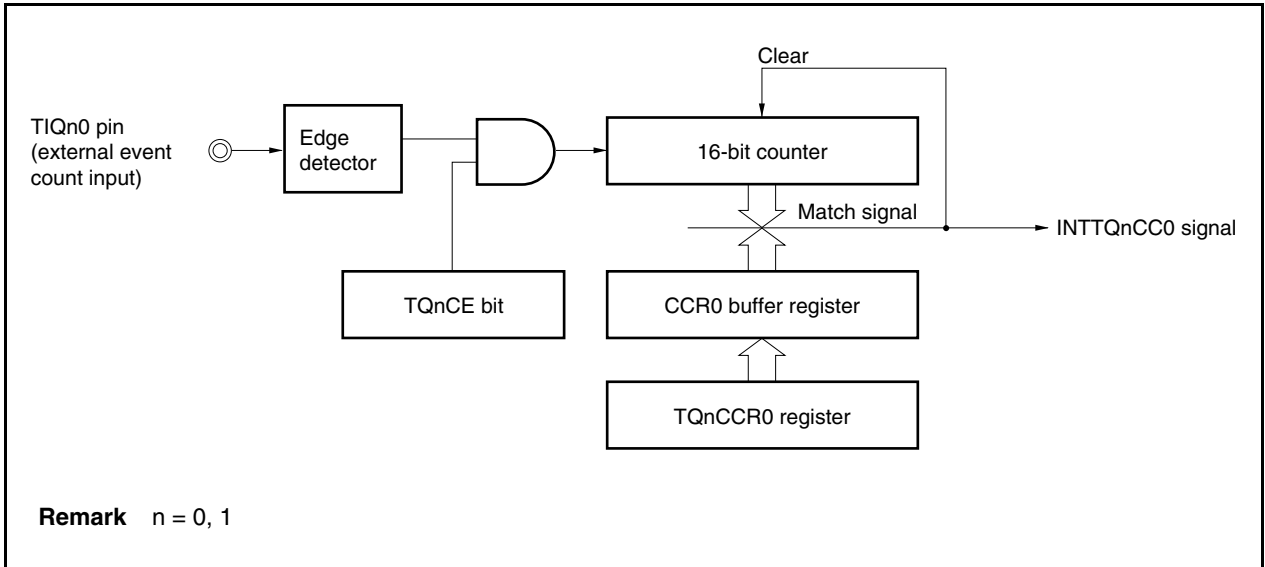


**7.5.2 External event count mode (TQnMD2 to TQnMD0 bits = 001)**

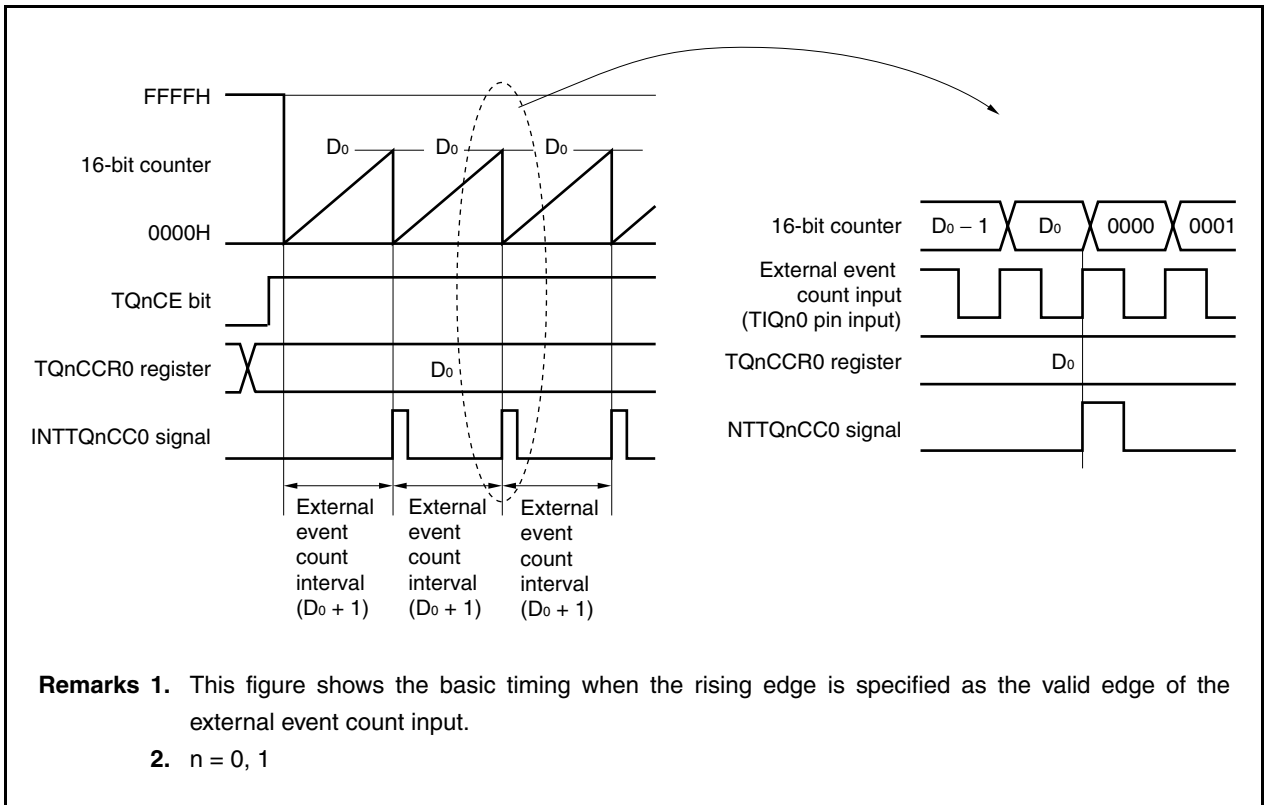
In the external event count mode, the valid edge of the external event count input is counted when the TQnCTL0.TQnCE bit is set to 1, and an interrupt request signal (INTTQnCC0) is generated each time the specified number of edges have been counted. The TOQn0 pin cannot be used.

Usually, the TQnCCR1 to TQnCCR3 registers are not used in the external event count mode.

**Figure 7-9. Configuration in External Event Count Mode**



**Figure 7-10. Basic Timing in External Event Count Mode**



When the TQnCE bit is set to 1, the value of the 16-bit counter is cleared from FFFFH to 0000H. The counter counts each time the valid edge of external event count input is detected. Additionally, the set value of the TQnCCR0 register is transferred to the CCR0 buffer register.

When the count value of the 16-bit counter matches the value of the CCR0 buffer register, the 16-bit counter is cleared to 0000H, and a compare match interrupt request signal (INTTQnCC0) is generated.

The INTTQnCC0 signal is generated each time the valid edge of the external event count input has been detected (set value of TQnCCR0 register + 1) times.

Figure 7-11. Register Setting for Operation in External Event Count Mode (1/2)

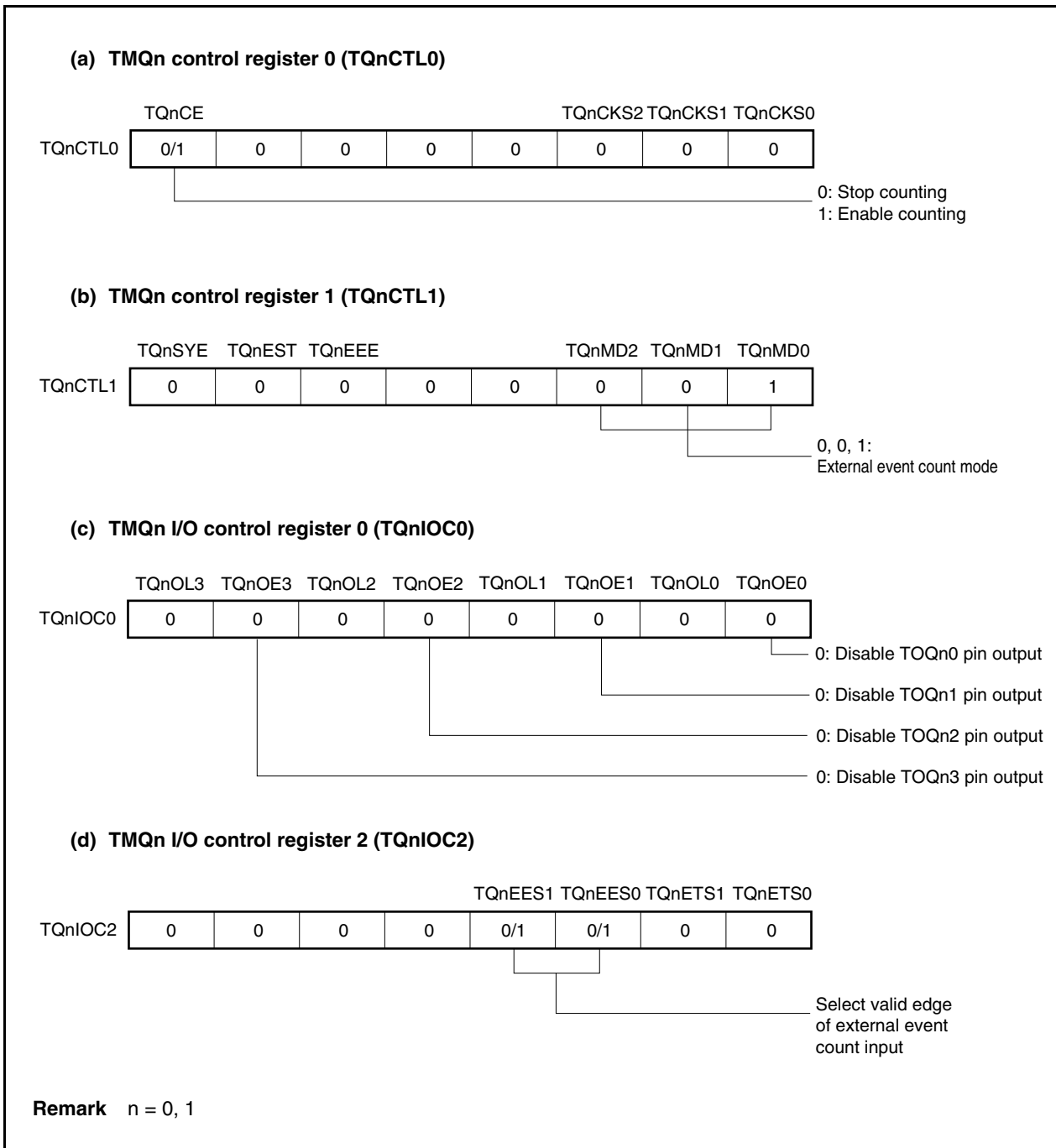


Figure 7-11. Register Setting for Operation in External Event Count Mode (2/2)

**(e) TMQn counter read buffer register (TQnCNT)**

The count value of the 16-bit counter can be read by reading the TQnCNT register.

**(f) TMQn capture/compare register 0 (TQnCCR0)**

If  $D_0$  is set to the TQnCCR0 register, the counter is cleared and a compare match interrupt request signal (INTTQnCC0) is generated when the number of external event counts reaches  $(D_0 + 1)$ .

**(g) TMQn capture/compare registers 1 to 3 (TQnCCR1 to TQnCCR3)**

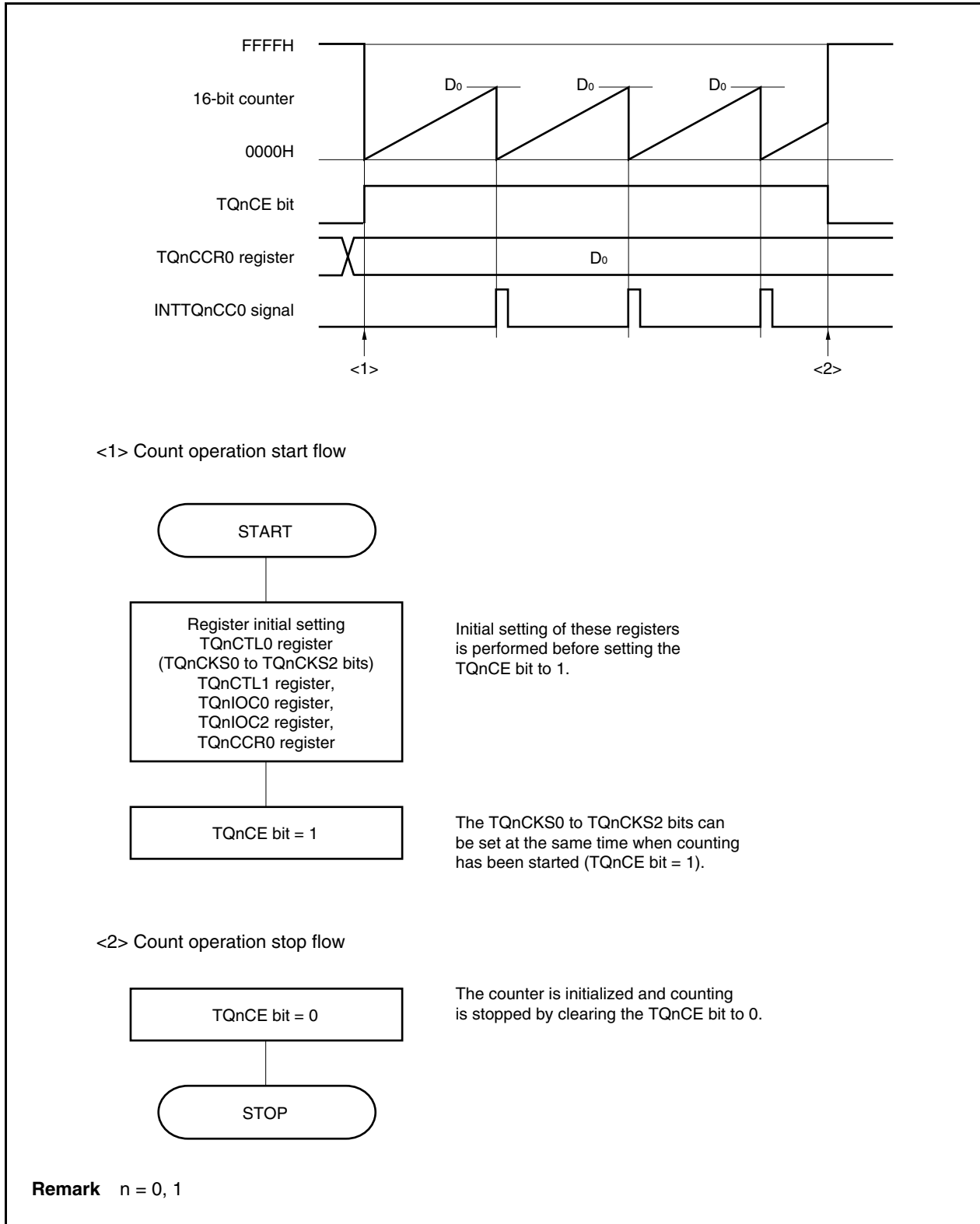
Usually, the TQnCCR1 to TQnCCR3 registers are not used in the external event count mode. However, the set value of the TQnCCR1 to TQnCCR3 registers are transferred to the CCR1 to CCR3 buffer registers. When the count value of the 16-bit counter matches the value of the CCR1 to CCR3 buffer registers, compare match interrupt request signals (INTTQnCC1 to INTTQnCC3) are generated. Therefore, mask the interrupt signal by using the interrupt mask flags (TQnCCMK1 to TQnCCMK3).

**Remarks 1.** The TMQn I/O control register 1 (TQnIOC1) and TMQn option register 0 (TQnOPT0) are not used in the external event count mode.

**2.**  $n = 0, 1$

(1) External event count mode operation flow

Figure 7-12. Flow of Software Processing in External Event Count Mode



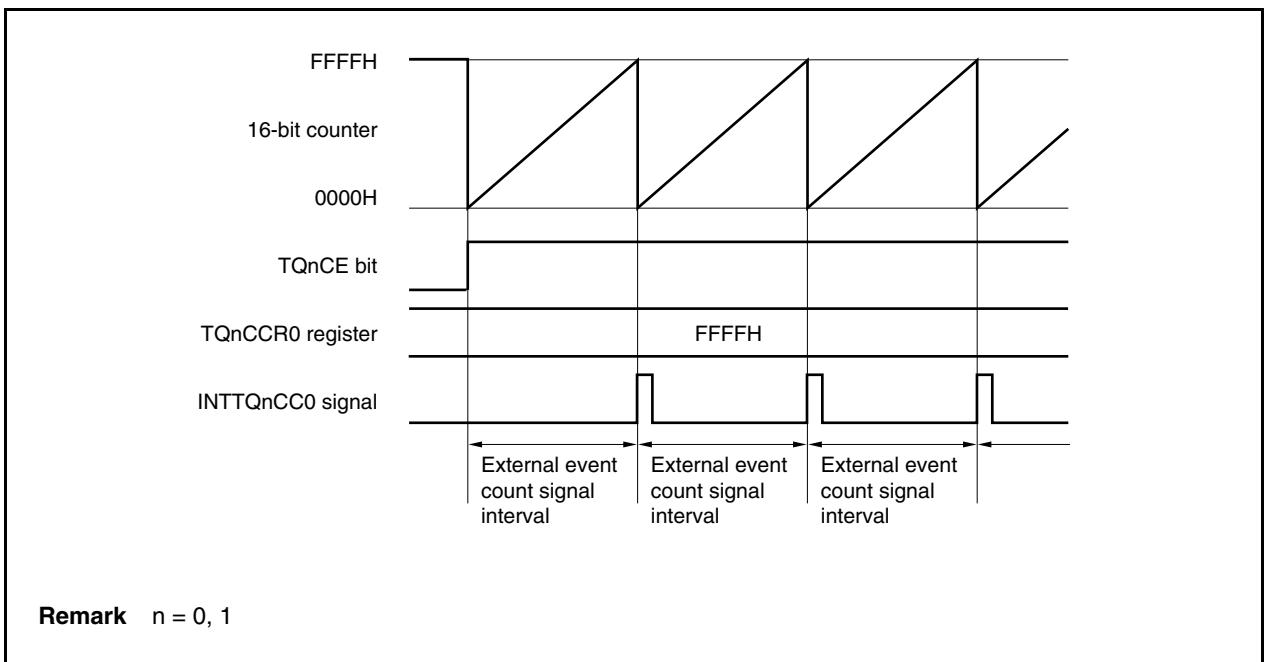
## (2) Operation timing in external event count mode

**Cautions** 1. In the external event count mode, do not set the TQnCCR0 register to 0000H.

2. In the external event count mode, use of the timer output is disabled. If performing timer output using external event count input, set the interval timer mode, and select the operation enabled by the external event count input for the count clock (TQnCTL1.TQnMD2 to TQnCTL1.TQnMD0 bits = 000, TQnCTL1.TQnEEE bit = 1).

## (a) Operation if TQnCCR0 register is set to FFFFH

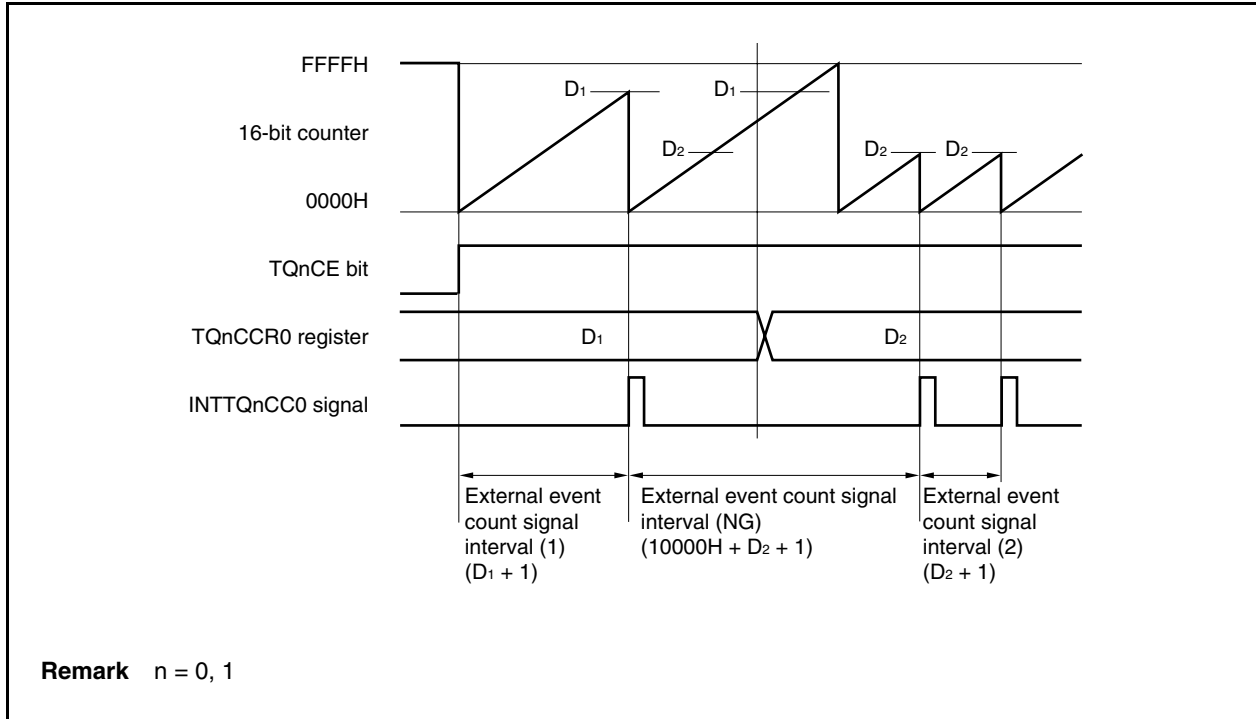
If the TQnCCR0 register is set to FFFFH, the 16-bit counter counts to FFFFH each time the valid edge of the external event count signal has been detected. The 16-bit counter is cleared to 0000H in synchronization with the next count-up timing, and the INTTQnCC0 signal is generated. At this time, the TQnOPT0.TQnOVF bit is not set.



**(b) Notes on rewriting the TQnCCR0 register**

To change the value of the TQnCCR0 register to a smaller value, stop counting once and then change the set value.

If the value of the TQnCCR0 register is rewritten to a smaller value during counting, the 16-bit counter may overflow.



If the value of the TQnCCR0 register is changed from  $D_1$  to  $D_2$  while the count value is greater than  $D_2$  but less than  $D_1$ , the count value is transferred to the CCR0 buffer register as soon as the TQnCCR0 register has been rewritten. Consequently, the value that is compared with the 16-bit counter is  $D_2$ .

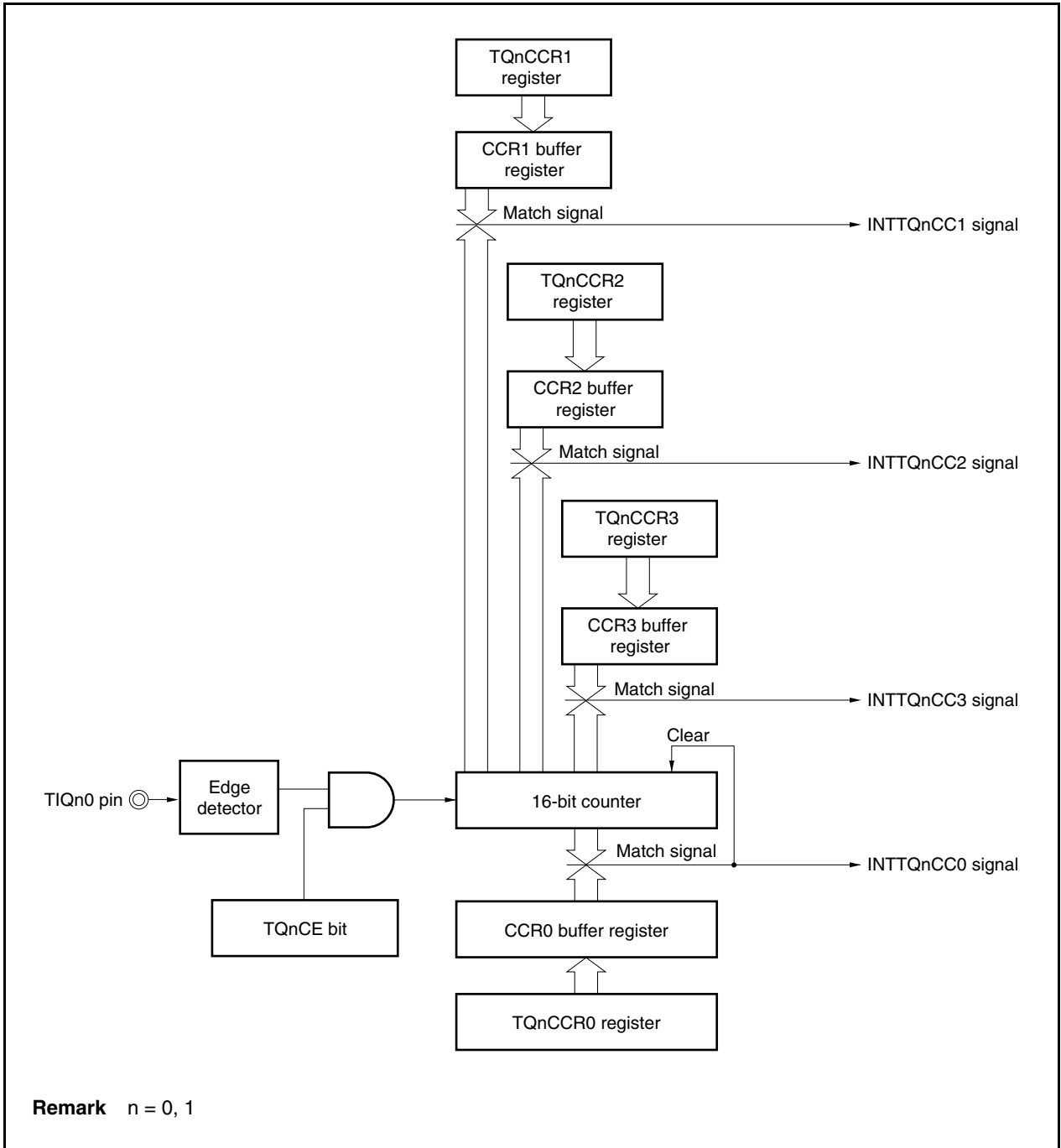
Because the count value has already exceeded  $D_2$ , however, the 16-bit counter counts up to FFFFH, overflows, and then counts up again from 0000H. When the count value matches  $D_2$ , the INTTQnCC0 signal is generated.

Therefore, the INTTQnCC0 signal may not be generated at the valid edge count of “ $(D_1 + 1)$  times” or “ $(D_2 + 1)$  times” originally expected, but may be generated at the valid edge count of “ $(10000H + D_2 + 1)$  times”.



(c) Operation of TQnCCR1 to TQnCCR3 registers

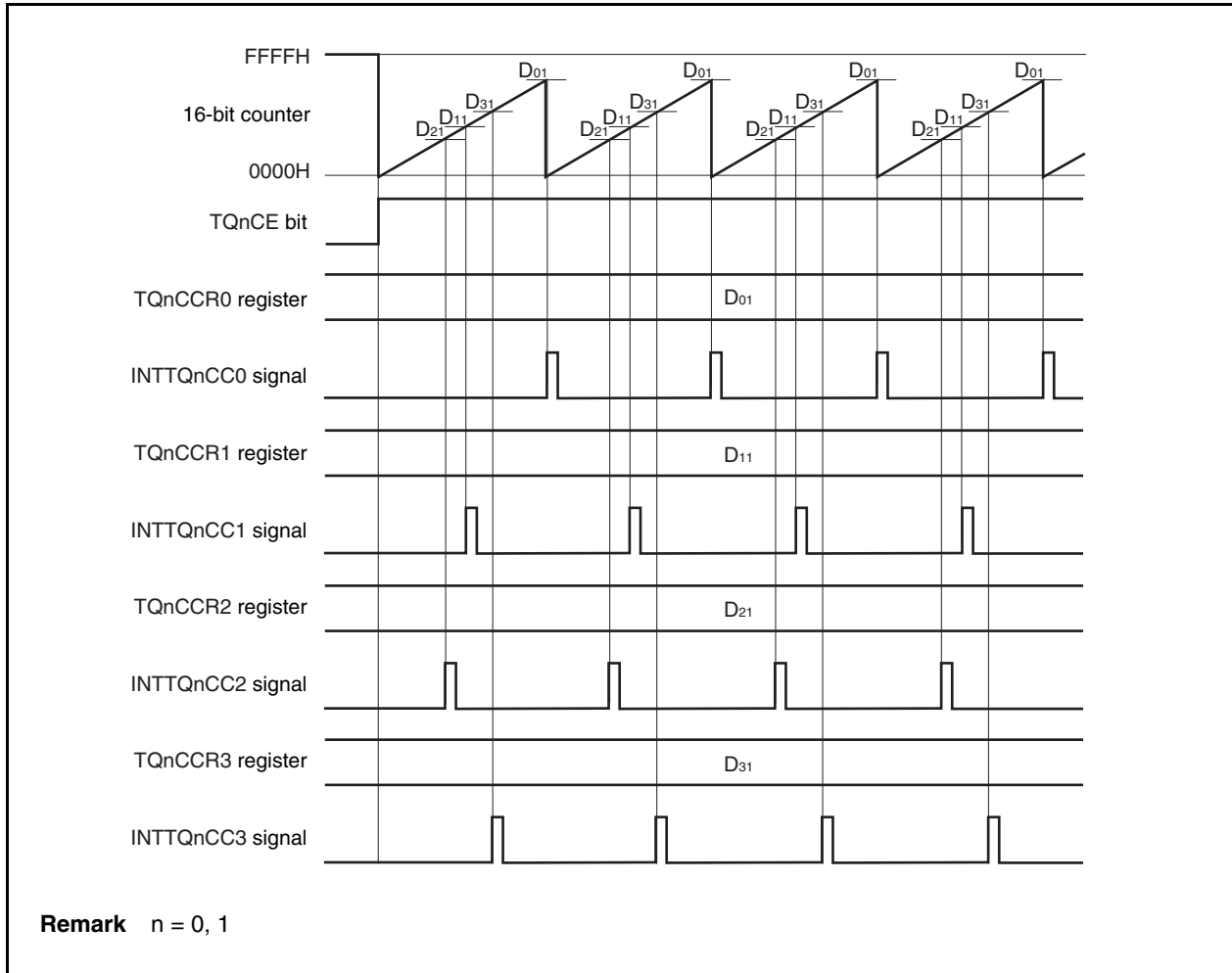
Figure 7-13. Configuration of TQnCCR1 to TQnCCR3 Registers



If the set value of the TQnCCRk register is smaller than the set value of the TQnCCR0 register, the INTTQnCCk signal is generated once per cycle.

**Remark** k = 1 to 3  
n = 0, 1

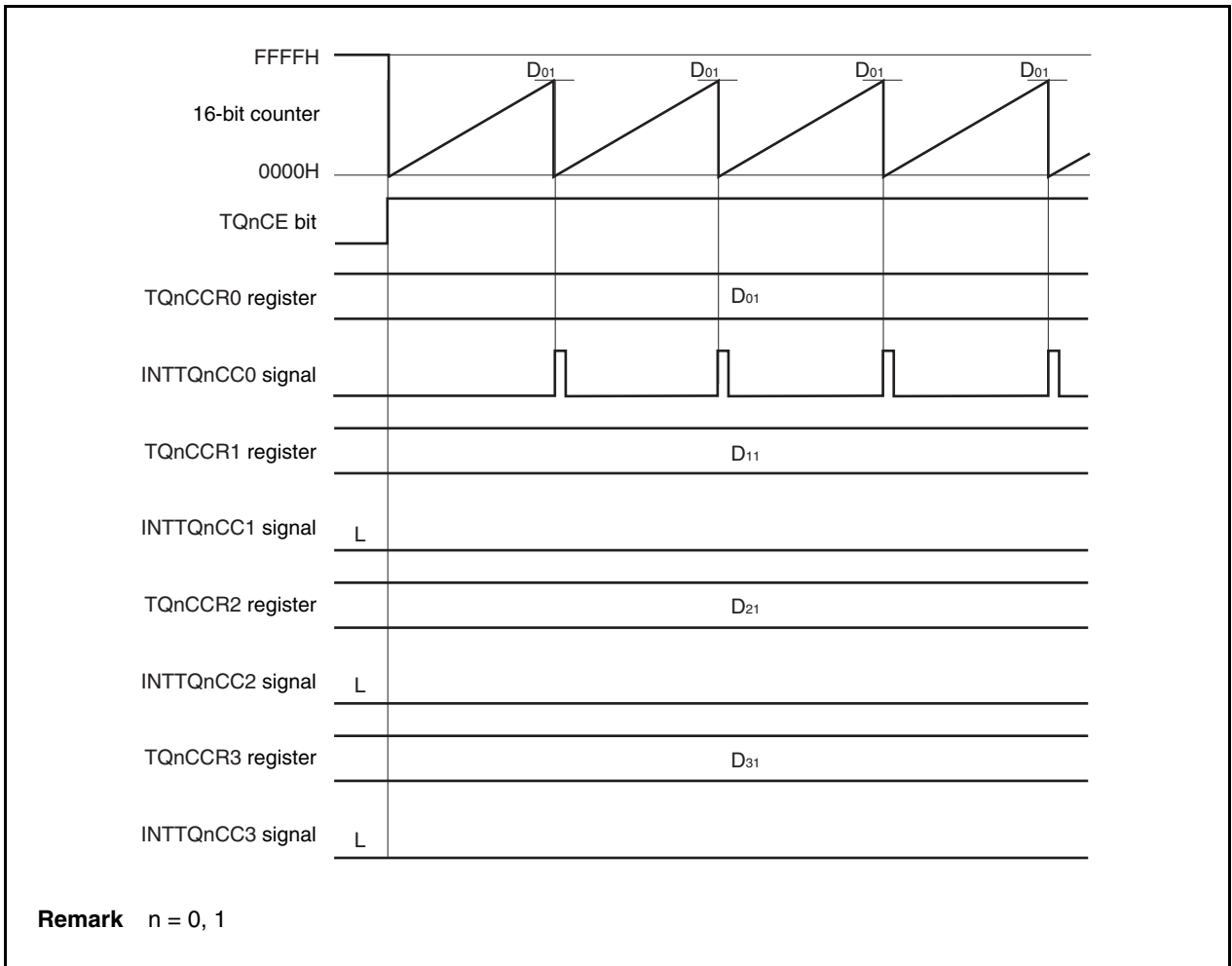
**Figure 7-14. Timing Chart When  $D_{01} \geq D_{k1}$**



If the set value of the TQnCCRk register is greater than the set value of the TQnCCR0 register, the INTTQnCCk signal is not generated because the count value of the 16-bit counter and the value of the TQnCCRk register do not match.

**Remark** k = 1 to 3,  
n = 0, 1

**Figure 7-15. Timing Chart When  $D_{01} < D_{k1}$**



### 7.5.3 External trigger pulse output mode (TQnMD2 to TQnMD0 bits = 010)

In the external trigger pulse output mode, 16-bit timer/event counter Q waits for a trigger when the TQnCTL0.TQnCE bit is set to 1. When the valid edge of an external trigger input signal is detected, 16-bit timer/event counter Q starts counting, and outputs a PWM waveform from the TOQn1 to TOQn3 pins.

Pulses can also be output by generating a software trigger instead of using the external trigger. When using a software trigger, a square wave that has one cycle of the PWM waveform as half its cycle can also be output from the TOQn0 pin.

Figure 7-16. Configuration in External Trigger Pulse Output Mode

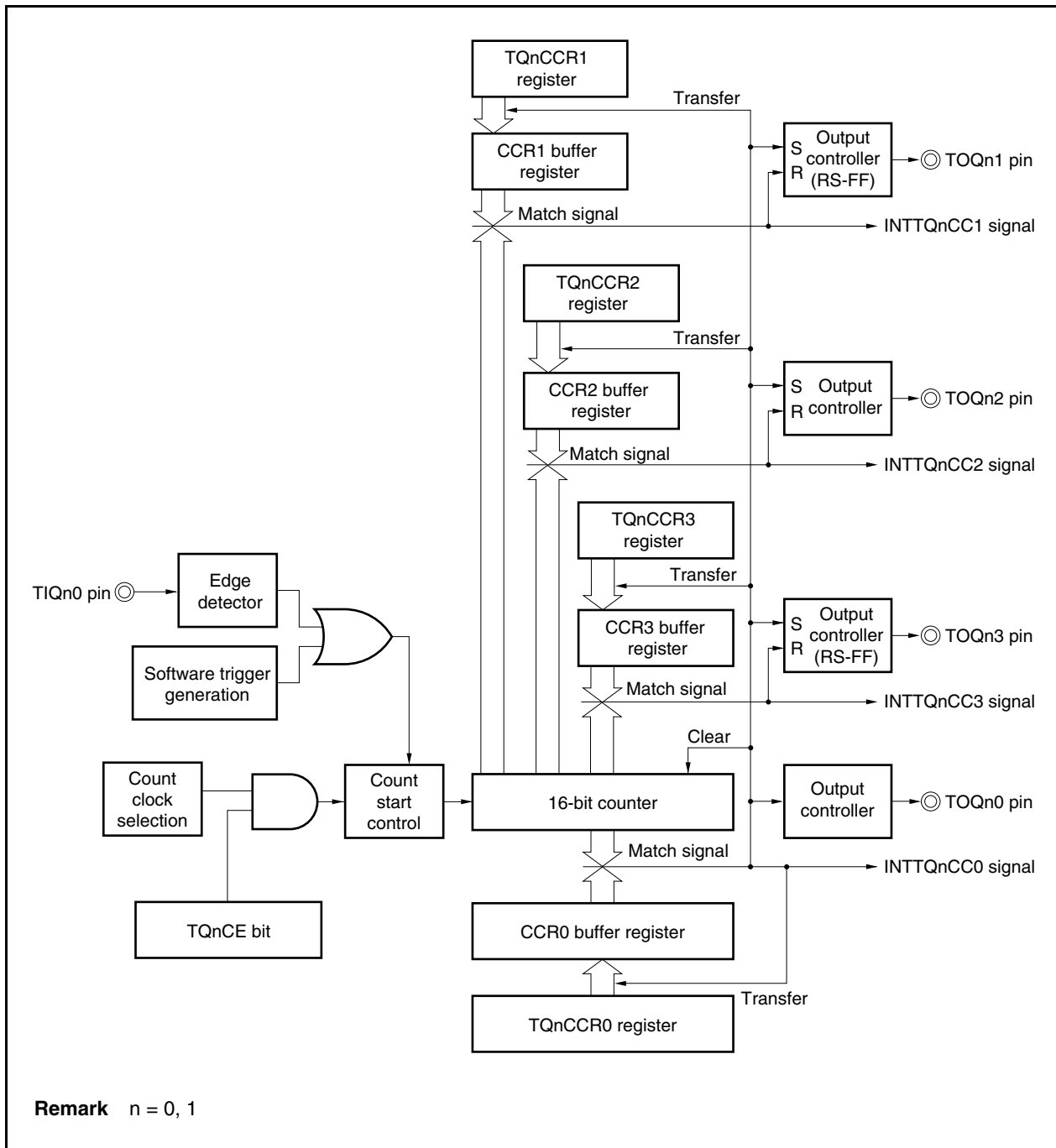
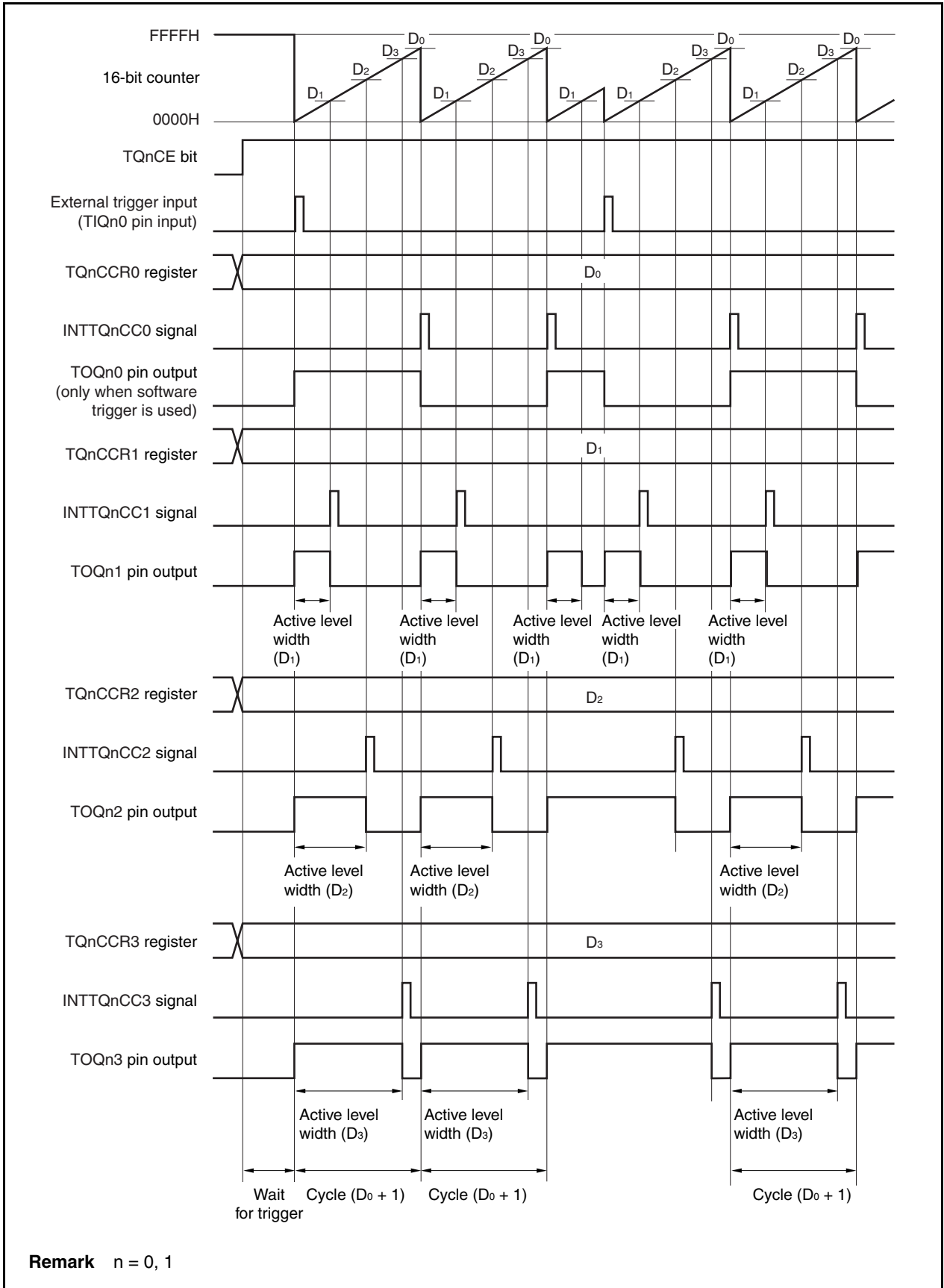


Figure 7-17. Basic Timing in External Trigger Pulse Output Mode



16-bit timer/event counter Q waits for a trigger when the TQnCE bit is set to 1. When the trigger is generated, the 16-bit counter is cleared from FFFFH to 0000H, starts counting at the same time, and outputs a PWM waveform from the TOQnk pin. If the trigger is generated again while the counter is operating, the counter is cleared to 0000H and restarted. (The output of the TOQn0 pin is inverted. The TOQnk pin outputs a high-level regardless of the status (high/low) when a trigger is generated.)

The active level width, cycle, and duty factor of the PWM waveform can be calculated as follows.

Active level width = (Set value of TQnCCRk register) × Count clock cycle

Cycle = (Set value of TQnCCR0 register + 1) × Count clock cycle

Duty factor = (Set value of TQnCCRk register)/(Set value of TQnCCR0 register + 1)

The compare match request signal (INTTQnCC0) is generated when the 16-bit counter counts next time after its count value matches the value of the CCR0 buffer register, and the 16-bit counter is cleared to 0000H. The compare match interrupt request signal (INTTQnCCK) is generated when the count value of the 16-bit counter matches the value of the CCRk buffer register.

The value set to the TQnCCRm register is transferred to the CCRm buffer register when the count value of the 16-bit counter matches the value of the CCR0 buffer register and the 16-bit counter is cleared to 0000H.

The valid edge of an external trigger input signal, or setting the software trigger (TQnCTL1.TQnEST bit) to 1 is used as the trigger.

**Remark** k = 1 to 3,  
m = 0 to 3,  
n = 0, 1

**Figure 7-18. Setting of Registers in External Trigger Pulse Output Mode (1/3)**

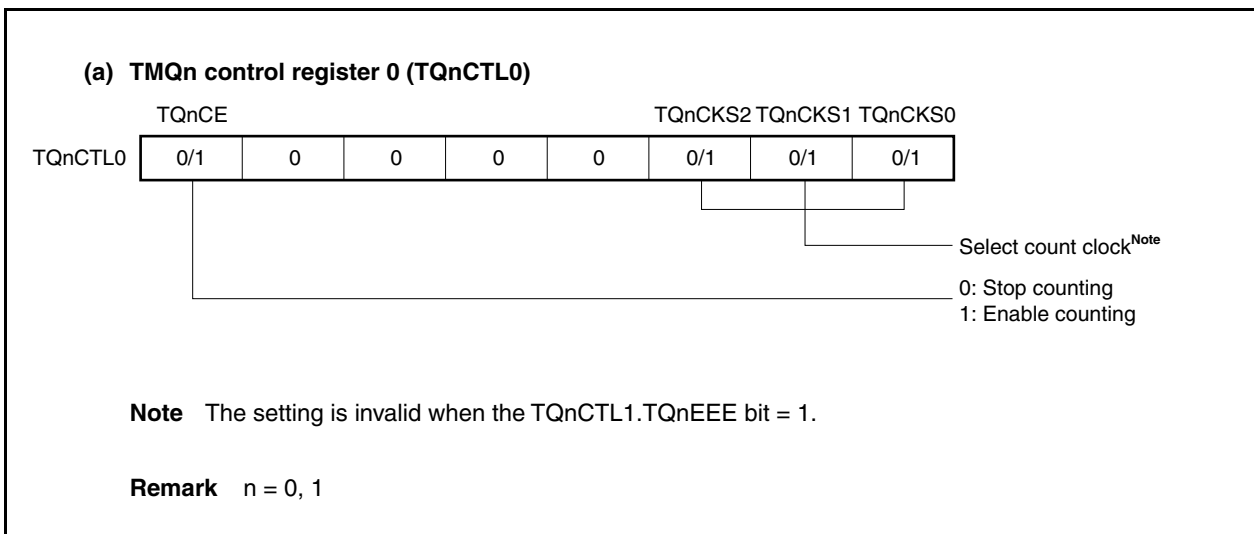


Figure 7-18. Setting of Registers in External Trigger Pulse Output Mode (2/3)

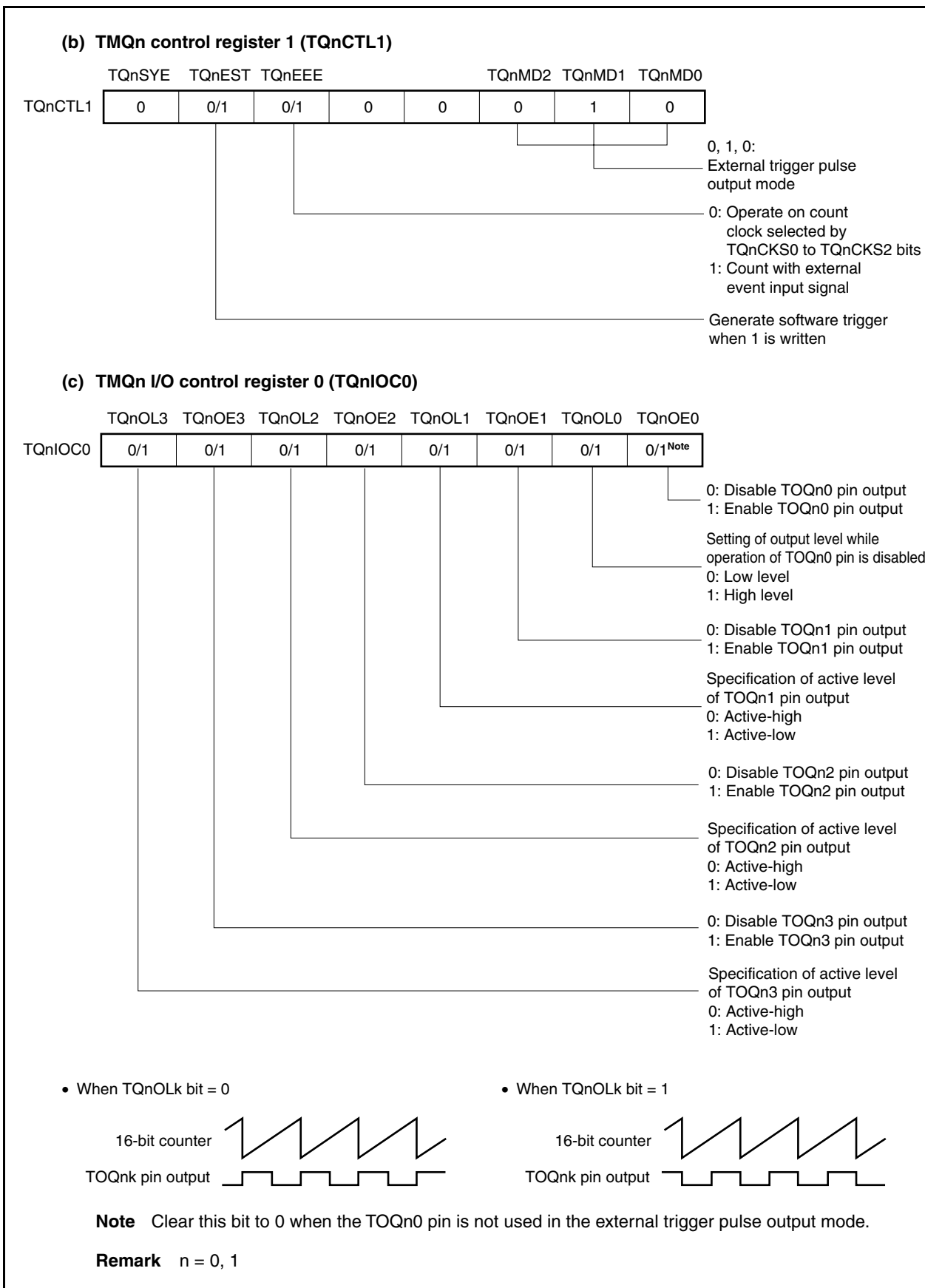
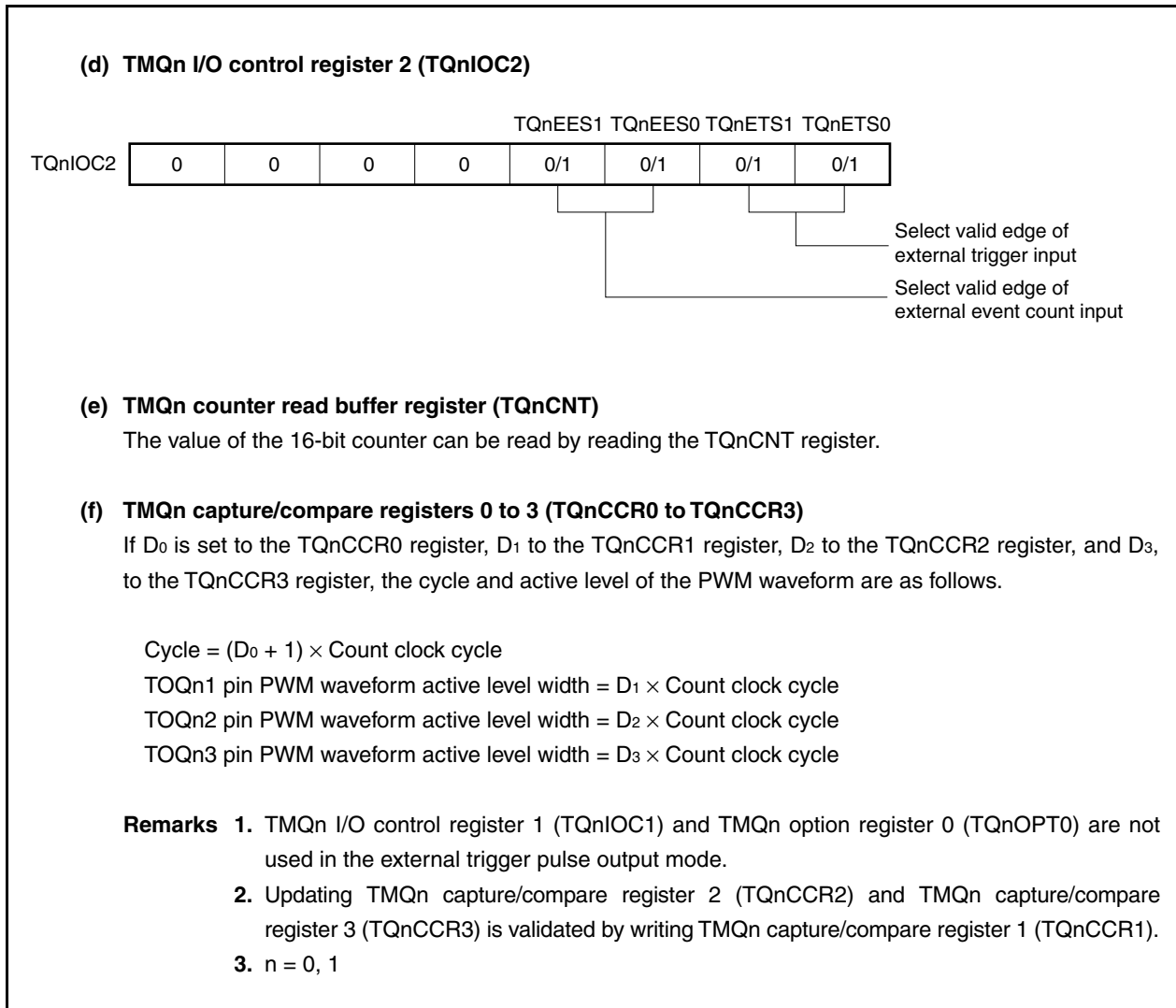


Figure 7-18. Setting of Registers in External Trigger Pulse Output Mode (3/3)





(1) Operation flow in external trigger pulse output mode

Figure 7-19. Software Processing Flow in External Trigger Pulse Output Mode (1/2)

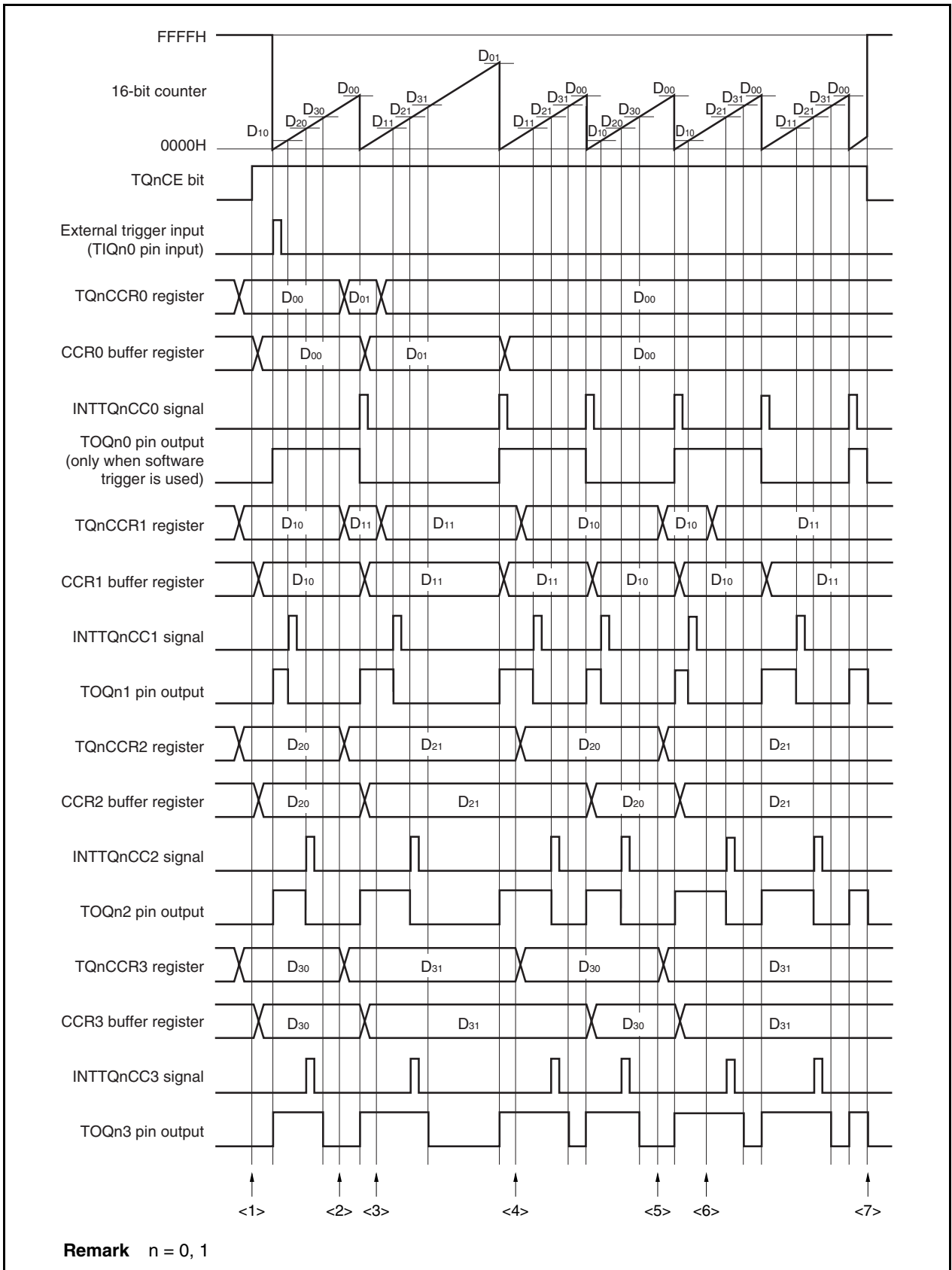
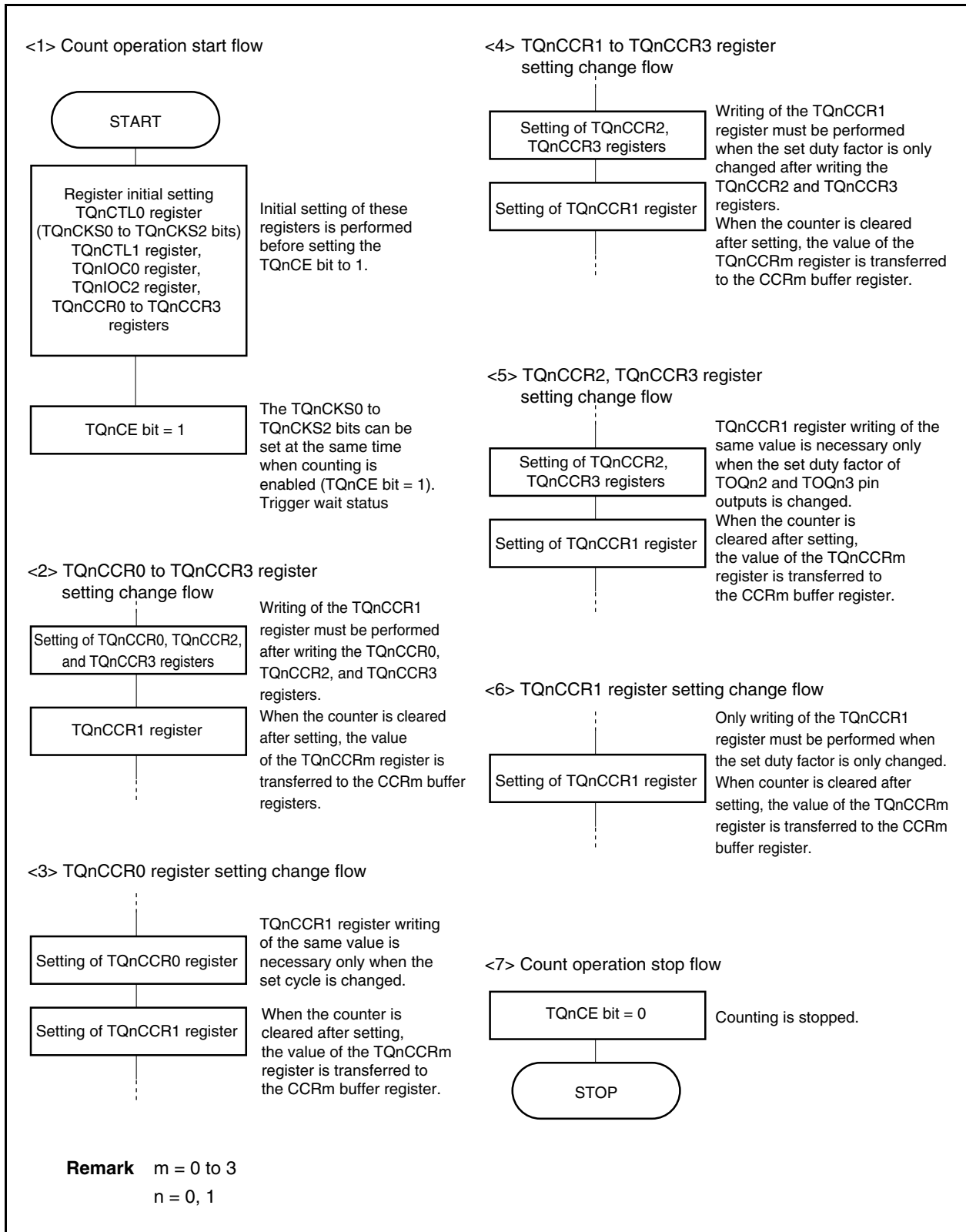


Figure 7-19. Software Processing Flow in External Trigger Pulse Output Mode (2/2)

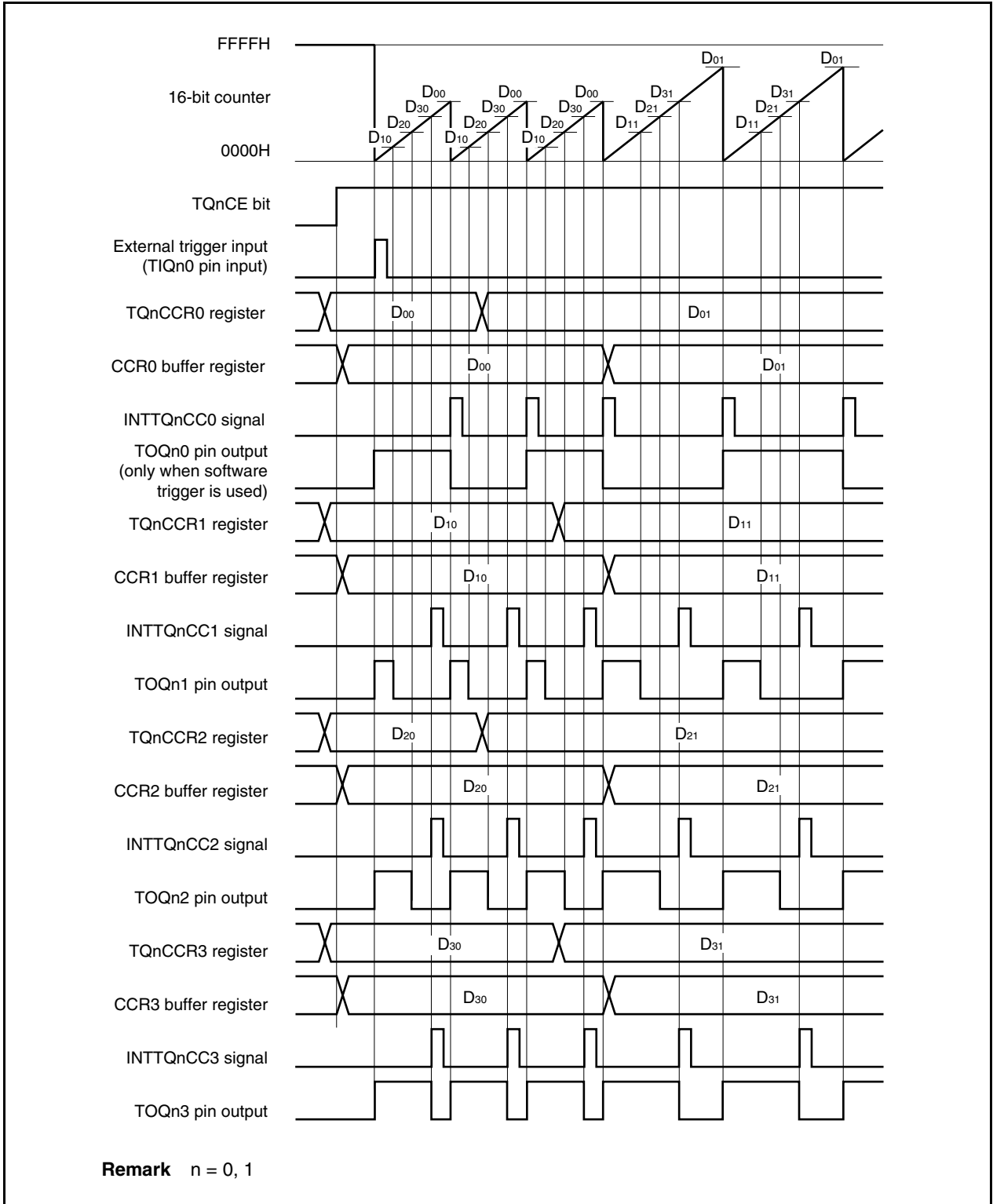


(2) External trigger pulse output mode operation timing

(a) Note on changing pulse width during operation

To change the PWM waveform while the counter is operating, write the TQnCCR1 register last.

Rewrite the TQnCCRk register after writing the TQnCCR1 register after the INTTQnCC0 signal is detected.



In order to transfer data from the TQnCCRm register to the CCRm buffer register, the TQnCCR1 register must be written.

To change both the cycle and active level width of the PWM waveform at this time, first set the cycle to the TQnCCR0 register, set the active level width to the TQnCCR2 and TQnCCR3 registers, and then set an active level to the TQnCCR1 register.

To change only the cycle of the PWM waveform, first set the cycle to the TQnCCR0 register, and then write the same value to the TQnCCR1 register.

To change only the active level width (duty factor) of the PWM waveform, first set an active level to the TQnCCR2 and TQnCCR3 registers and then set an active level to the TQnCCR1 register.

To change only the active level width (duty factor) of the PWM waveform output by the TOQn1 pin, only the TQnCCR1 register has to be set.

To change only the active level width (duty factor) of the PWM waveform output by the TOQn2 and TOQn3 pins, first set an active level width to the TQnCCR2 and TQnCCR3 registers, and then write the same value to the TQnCCR1 register.

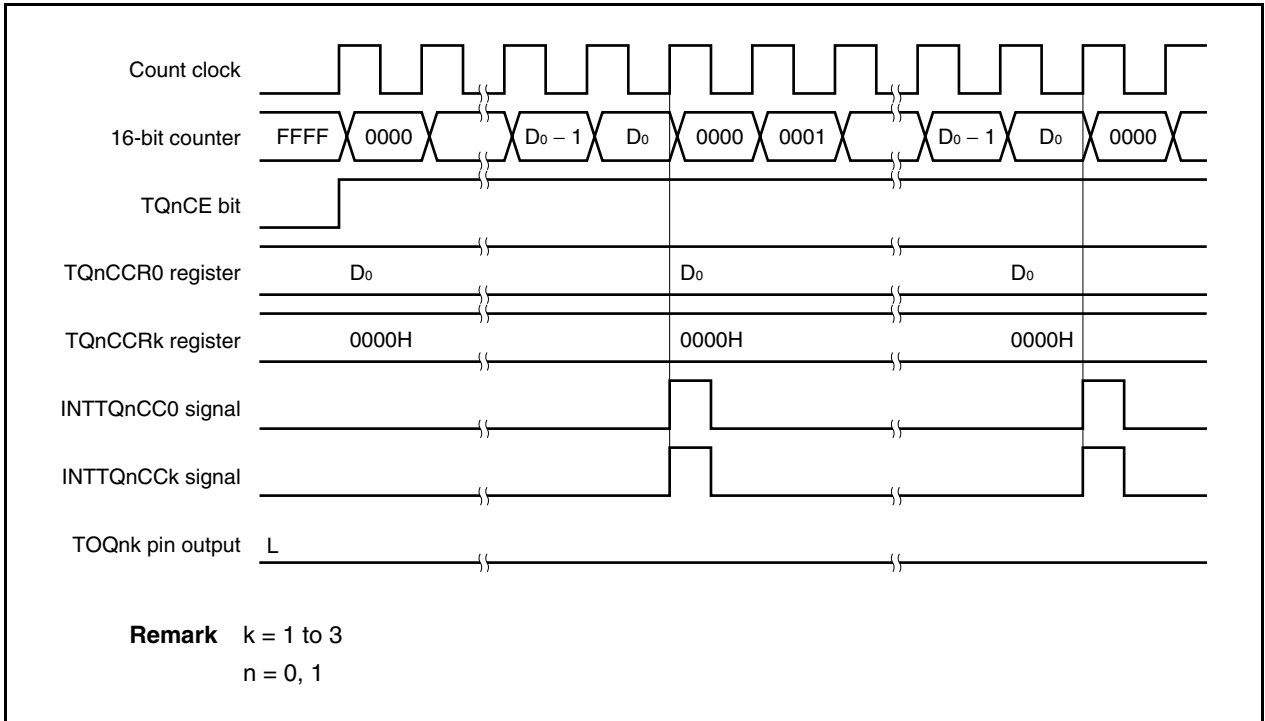
After data is written to the TQnCCR1 register, the value written to the TQnCCRm register is transferred to the CCRm buffer register in synchronization with clearing of the 16-bit counter, and is used as the value compared with the 16-bit counter.

To write the TQnCCR0 to TQnCCR3 registers again after writing the TQnCCR1 register once, do so after the INTTQnCC0 signal is generated. Otherwise, the value of the CCRm buffer register may become undefined because timing of transferring data from the TQnCCRm register to the CCRm buffer register conflicts with writing the TQnCCRm register.

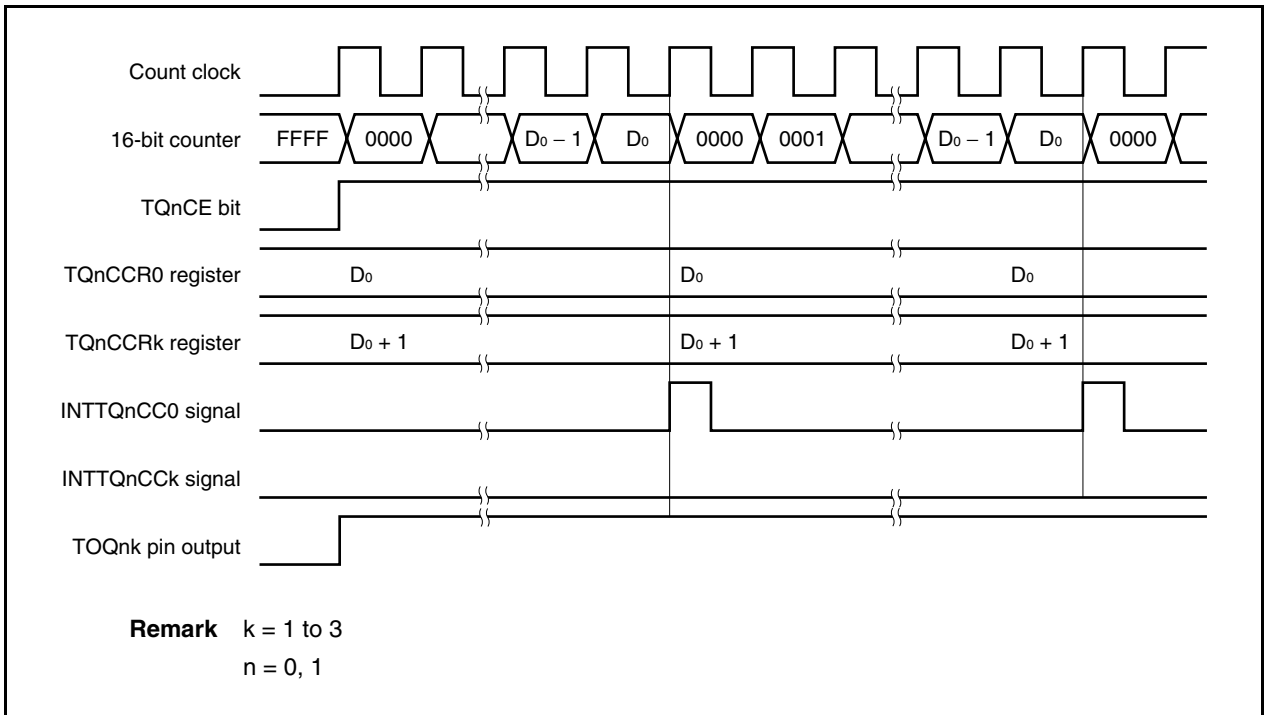
**Remark** m = 0 to 3  
n = 0, 1

**(b) 0%/100% output of PWM waveform**

To output a 0% waveform, set the TQnCCRk register to 0000H. If the set value of the TQnCCR0 register is FFFFH, the INTTQnCCK signal is generated periodically.

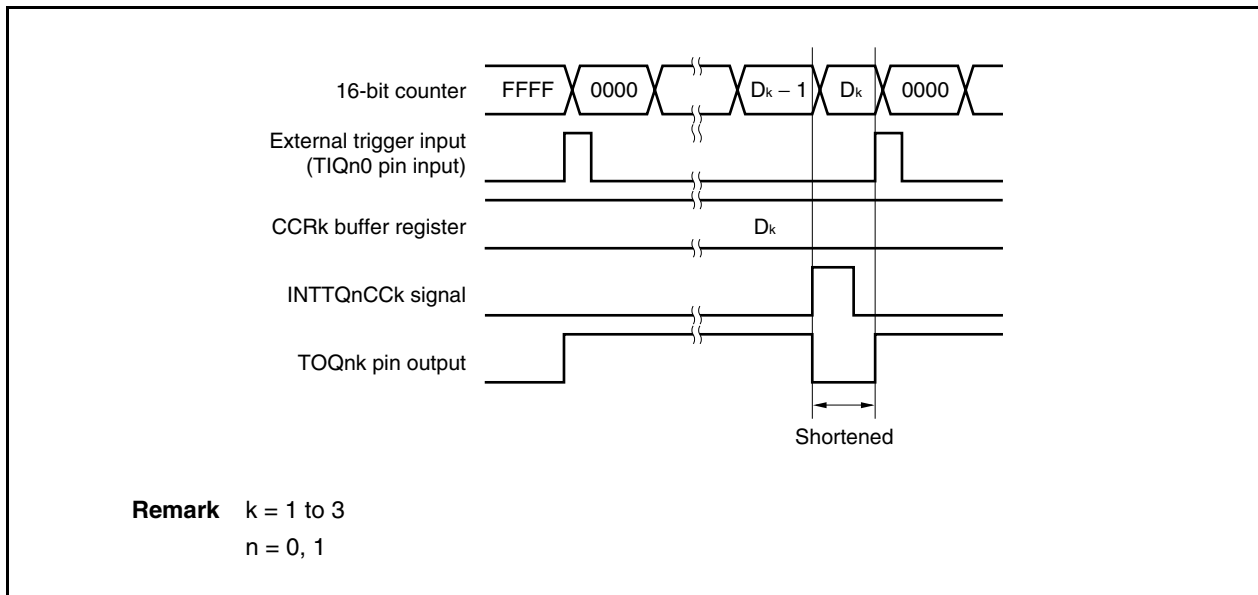


To output a 100% waveform, set a value of (set value of TQnCCR0 register + 1) to the TQnCCRk register. If the set value of the TQnCCR0 register is FFFFH, 100% output cannot be produced.

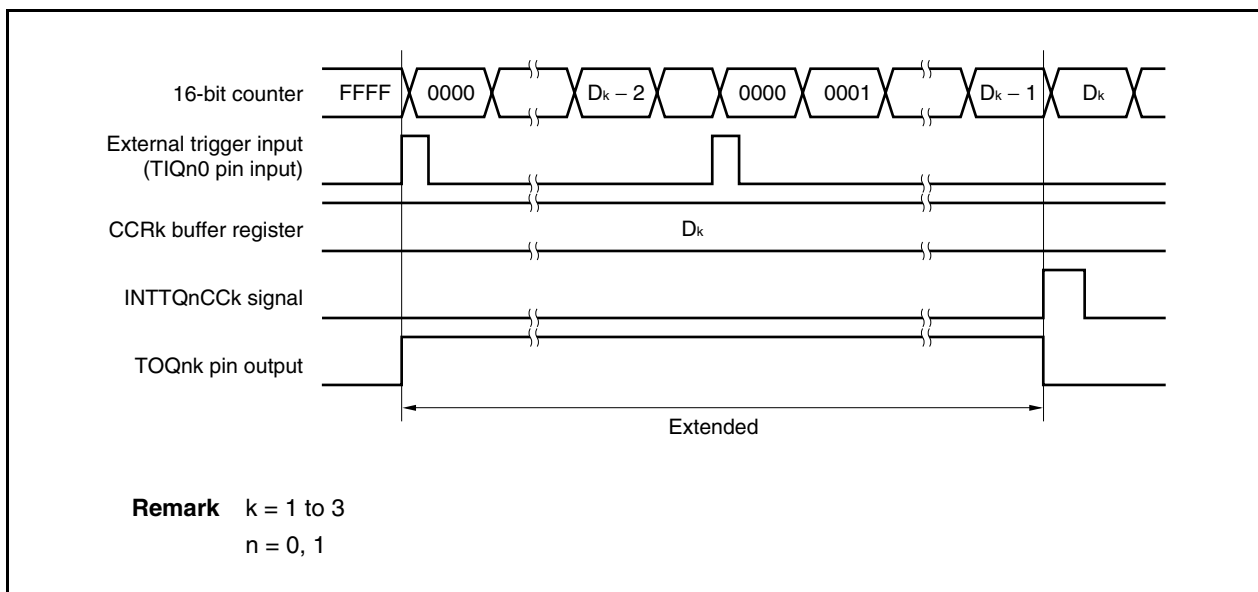


**(c) Conflict between trigger detection and match with CCR<sub>k</sub> buffer register**

If the trigger is detected immediately after the INTTQnCCk signal is generated, the 16-bit counter is immediately cleared to 0000H, the output signal of the TOQn<sub>k</sub> is asserted, and the counter continues counting. Consequently, the inactive period of the PWM waveform is shortened.

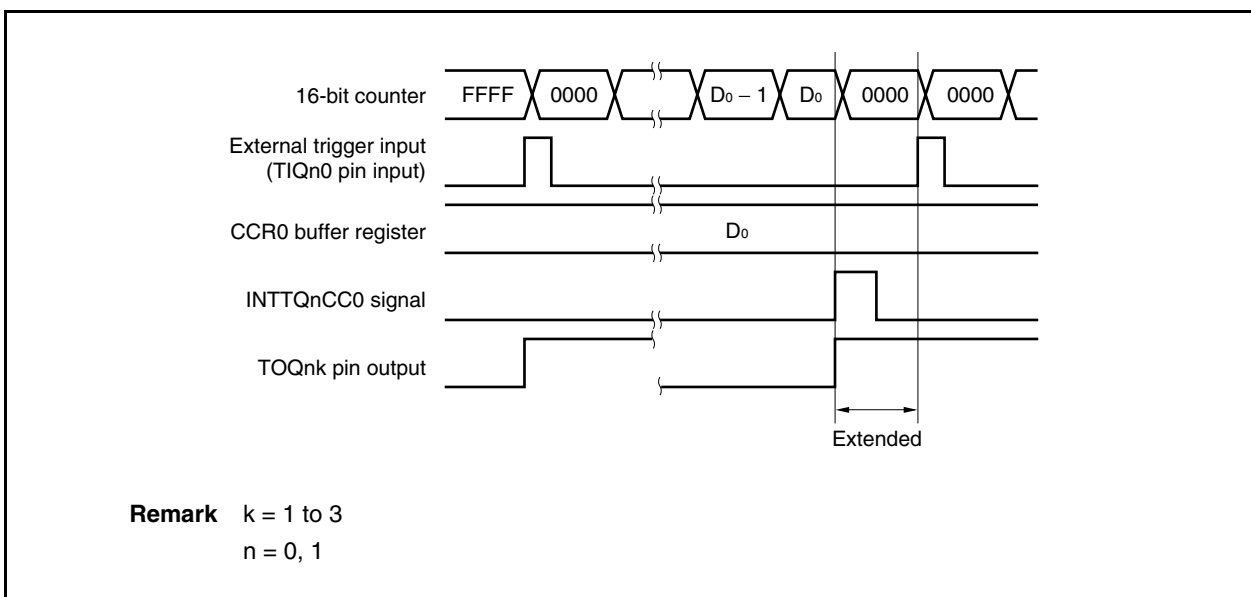


If the trigger is detected immediately before the INTTQnCCk signal is generated, the INTTQnCCk signal is not generated, and the 16-bit counter is cleared to 0000H and continues counting. The output signal of the TOQn<sub>k</sub> pin remains active. Consequently, the active period of the PWM waveform is extended.

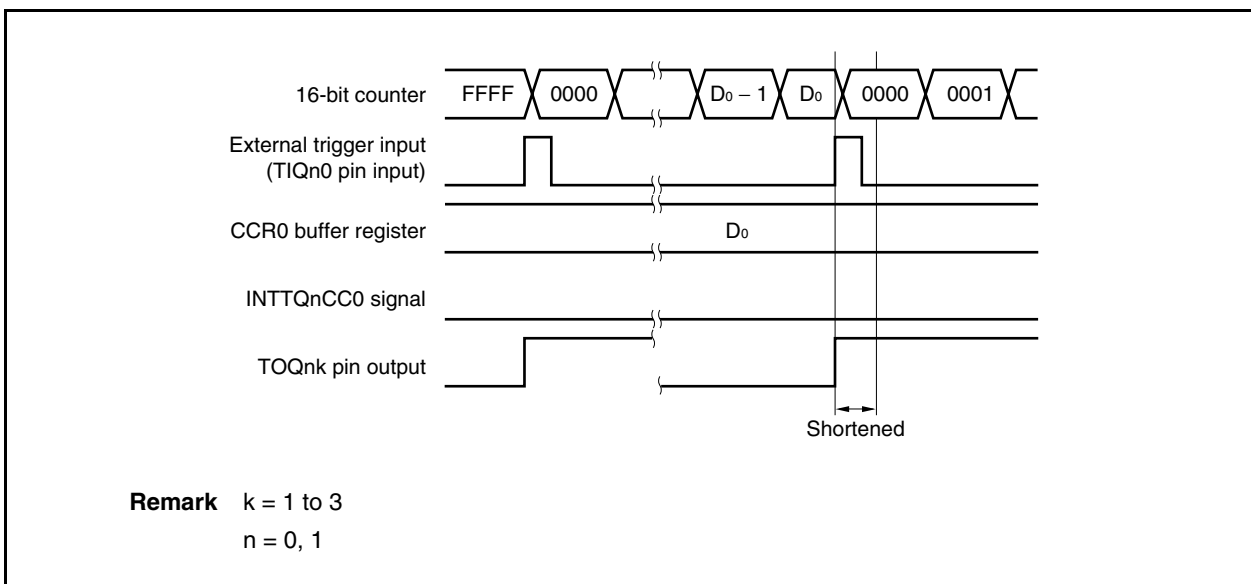


**(d) Conflict between trigger detection and match with CCR0 buffer register**

If the trigger is detected immediately after the INTTQnCC0 signal is generated, the 16-bit counter is cleared to 0000H and continues counting up. Therefore, the active period of the TOQnk pin is extended by time from generation of the INTTQnCC0 signal to trigger detection.

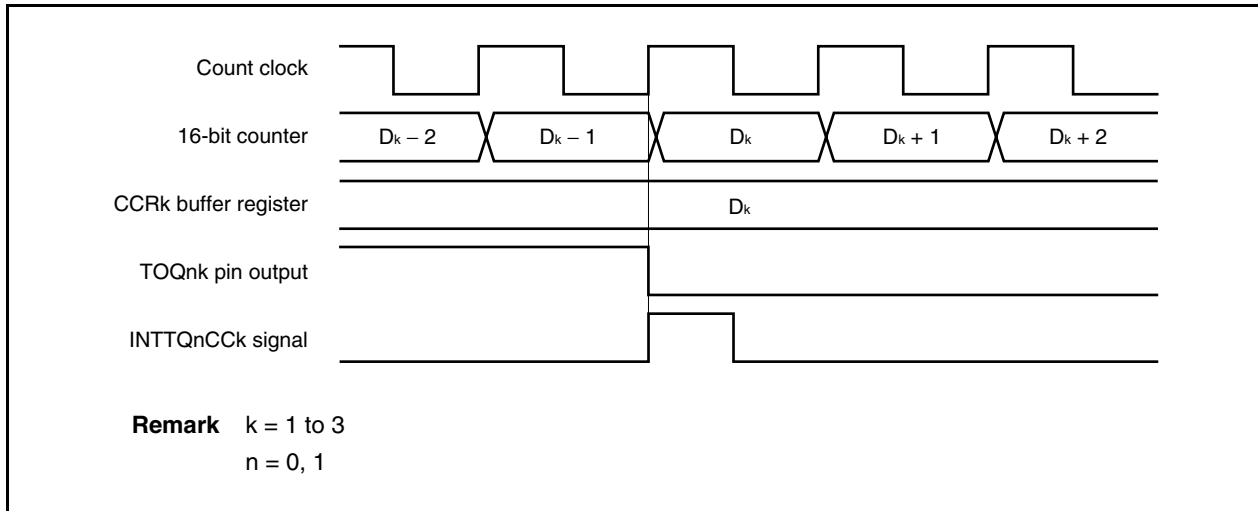


If the trigger is detected immediately before the INTTQnCC0 signal is generated, the INTTQnCC0 signal is not generated. The 16-bit counter is cleared to 0000H, the TOQnk pin is asserted, and the counter continues counting. Consequently, the inactive period of the PWM waveform is shortened.



**(e) Generation timing of compare match interrupt request signal (INTTQnCCK)**

The timing of generation of the INTTQnCCK signal in the external trigger pulse output mode differs from the timing of other INTTQnCCK signals; the INTTQnCCK signal is generated when the count value of the 16-bit counter matches the value of the CCRk buffer register.



Usually, the INTTQnCCK signal is generated in synchronization with the next count up after the count value of the 16-bit counter matches the value of the CCRk buffer register.

In the external trigger pulse output mode, however, it is generated one clock earlier. This is because the timing is changed to match the timing of changing the output signal of the TOQnk pin.



7.5.4 One-shot pulse output mode (TQnMD2 to TQnMD0 bits = 011)

In the one-shot pulse output mode, 16-bit timer/event counter Q waits for a trigger when the TQnCTL0.TQnCE bit is set to 1. When the valid edge of an external trigger input is detected, 16-bit timer/event counter Q starts counting, and outputs a one-shot pulse from the TOQn1 to TOQn3 pins.

Instead of the external trigger, a software trigger can also be generated to output the pulse. When the software trigger is used, the TOQn0 pin outputs the active level while the 16-bit counter is counting, and the inactive level when the counter is stopped (waiting for a trigger).

Figure 7-20. Configuration in One-Shot Pulse Output Mode

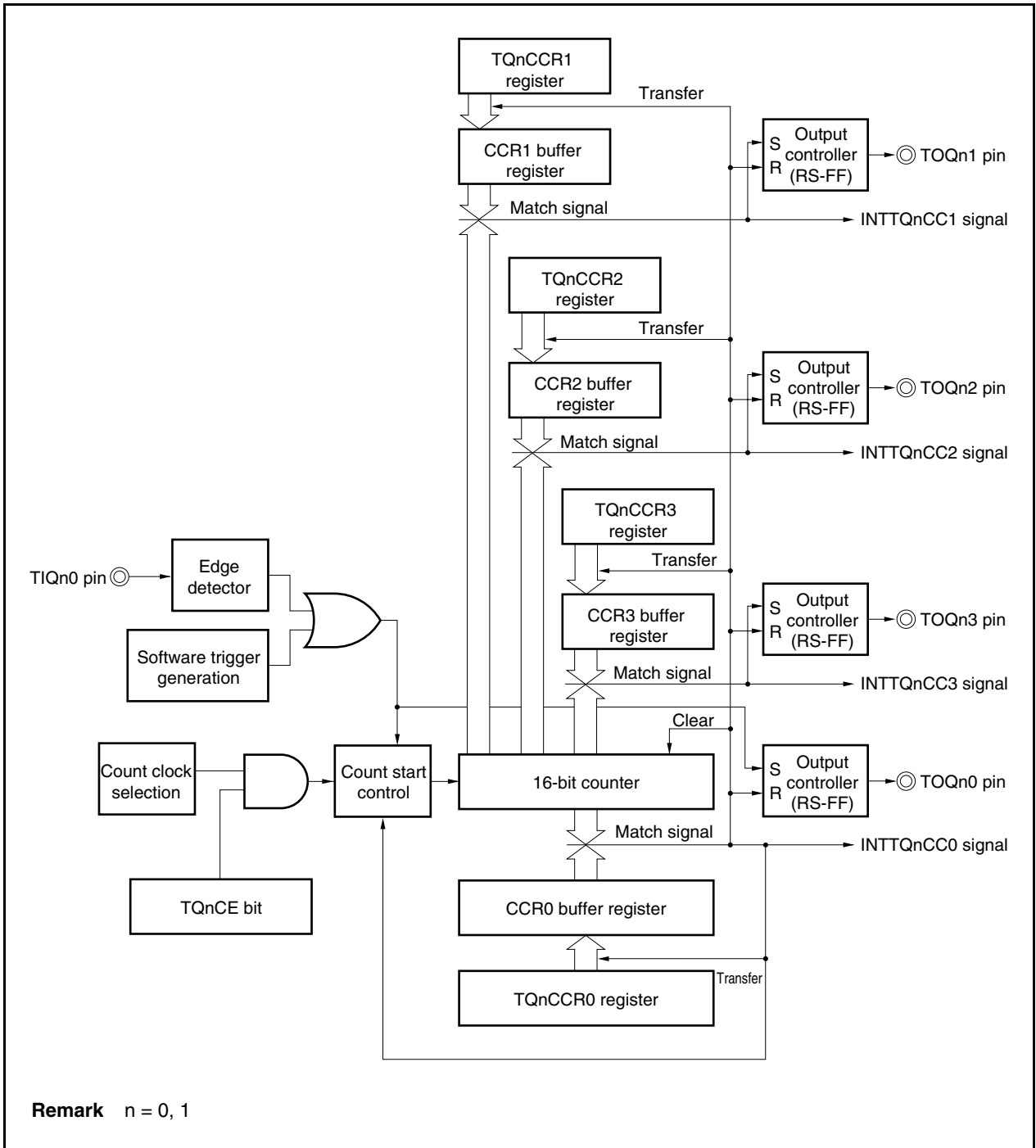
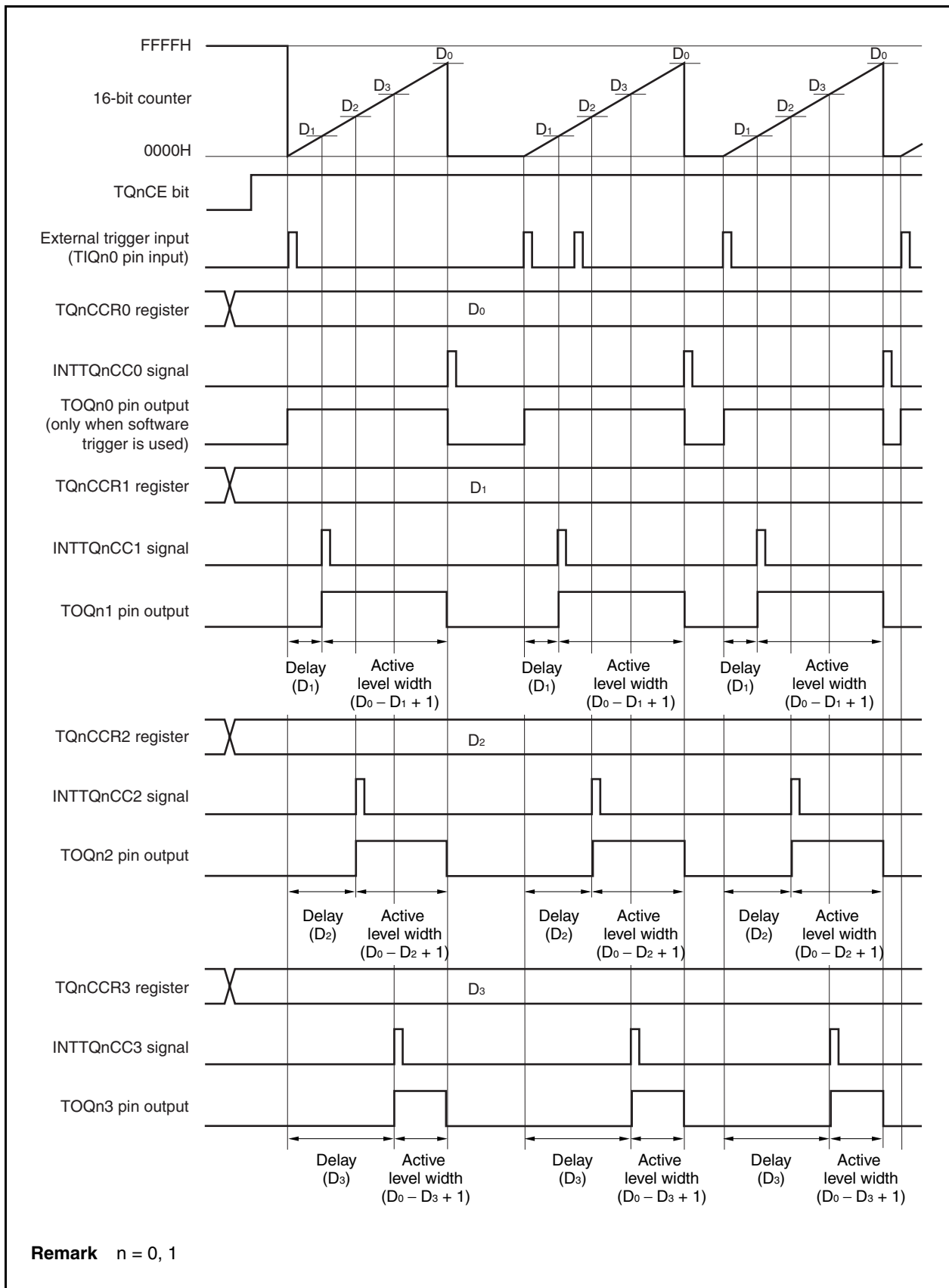


Figure 7-21. Basic Timing in One-Shot Pulse Output Mode



When the TQnCE bit is set to 1, 16-bit timer/event counter Q waits for a trigger. When the trigger is generated, the 16-bit counter is cleared from FFFFH to 0000H, starts counting, and outputs a one-shot pulse from the TOQnk pin. After the one-shot pulse is output, the 16-bit counter is set to FFFFH, stops counting, and waits for a trigger. If a trigger is generated again while the one-shot pulse is being output, it is ignored.

The output delay period and active level width of the one-shot pulse can be calculated as follows.

$$\text{Output delay period} = (\text{Set value of TQnCCRk register}) \times \text{Count clock cycle}$$

$$\text{Active level width} = (\text{Set value of TQnCCR0 register} - \text{Set value of TQnCCRk register} + 1) \times \text{Count clock cycle}$$

The compare match interrupt request signal INTTQnCC0 is generated when the 16-bit counter counts after its count value matches the value of the CCR0 buffer register. The compare match interrupt request signal (INTTQnCCk) is generated when the count value of the 16-bit counter matches the value of the CCRk buffer register.

The valid edge of an external trigger input or setting the software trigger (TQnCTL1.TQnEST bit) to 1 is used as the trigger.

**Remark** k = 1 to 3  
n = 0, 1

Figure 7-22. Setting of Registers in One-Shot Pulse Output Mode (1/3)

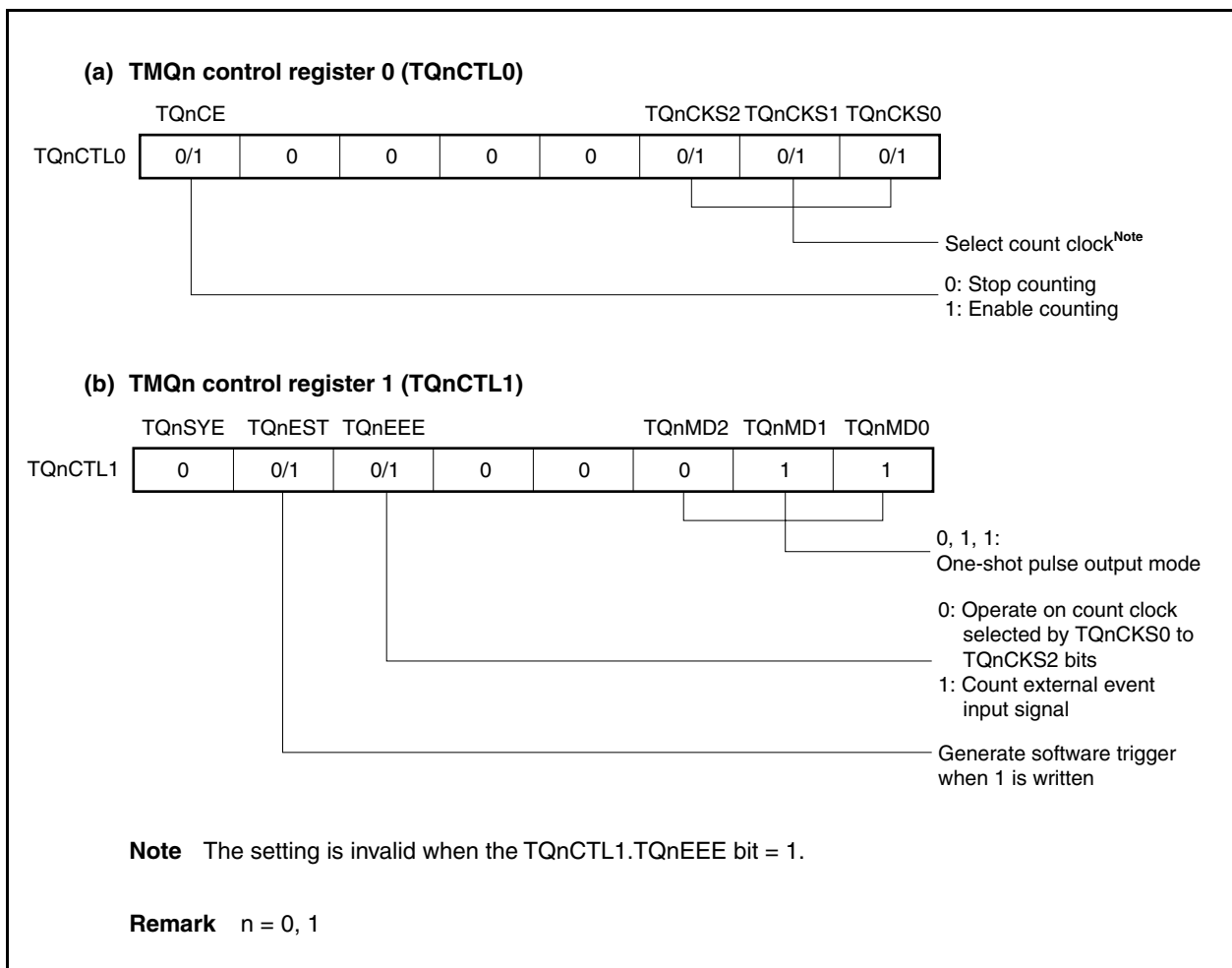


Figure 7-22. Register Setting in One-Shot Pulse Output Mode (2/3)

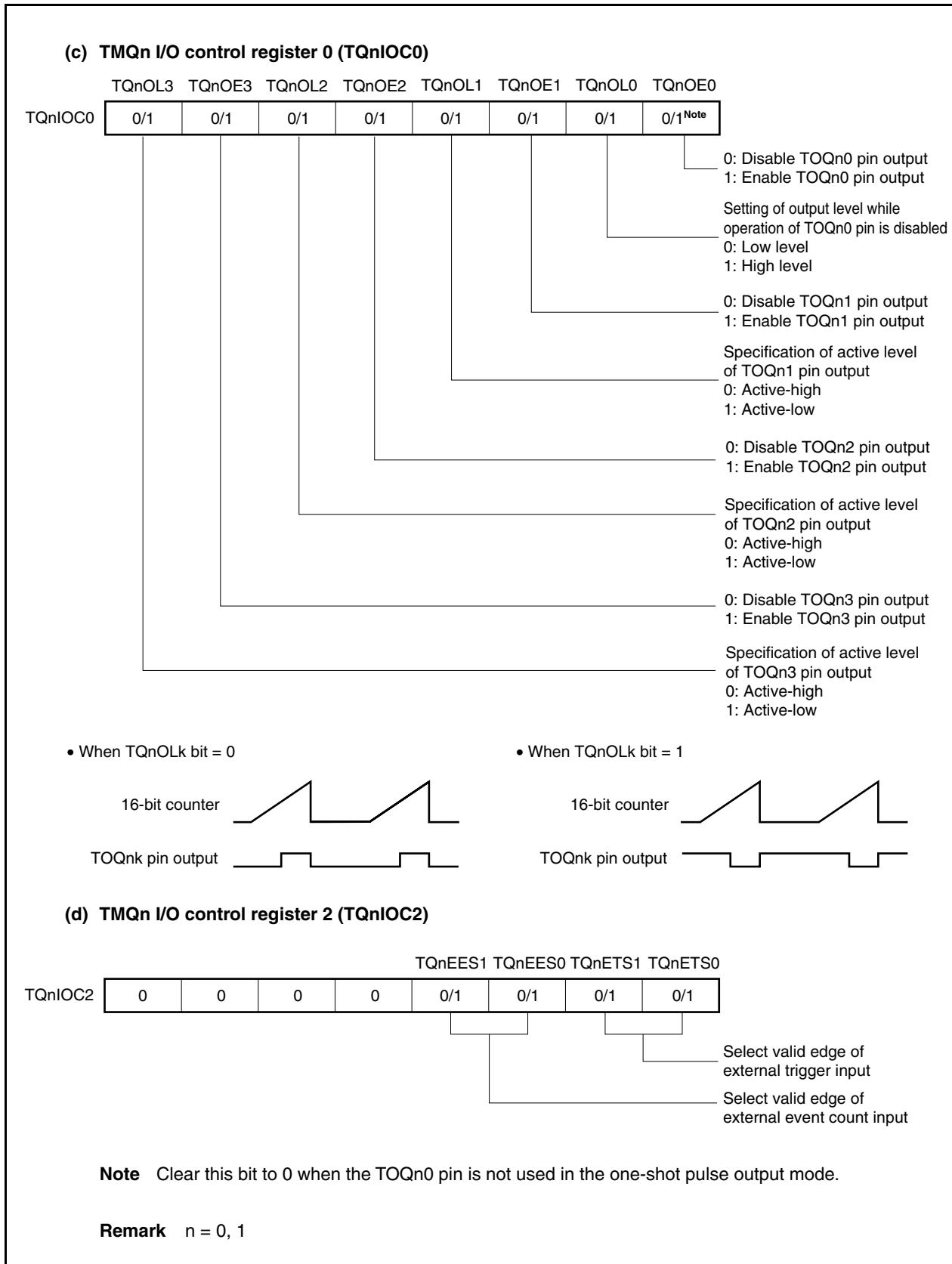


Figure 7-22. Register Setting in One-Shot Pulse Output Mode (3/3)

**(e) TMQn counter read buffer register (TQnCNT)**

The value of the 16-bit counter can be read by reading the TQnCNT register.

**(f) TMQn capture/compare registers 0 to 3 (TQnCCR0 to TQnCCR3)**

If  $D_0$  is set to the TQnCCR0 register and  $D_k$  to the TQnCCRk register, the active level width and output delay period of the one-shot pulse are as follows.

Active level width =  $(D_k - D_0 + 1) \times$  Count clock cycle

Output delay period =  $(D_k) \times$  Count clock cycle

**Remarks** 1. TMQn I/O control register 1 (TQnIOC1) and TMQn option register 0 (TQnOPT0) are not used in the one-shot pulse output mode.

2.  $k = 1$  to 3

$n = 0, 1$

(1) Operation flow in one-shot pulse output mode

Figure 7-23. Software Processing Flow in One-Shot Pulse Output Mode (1/2)

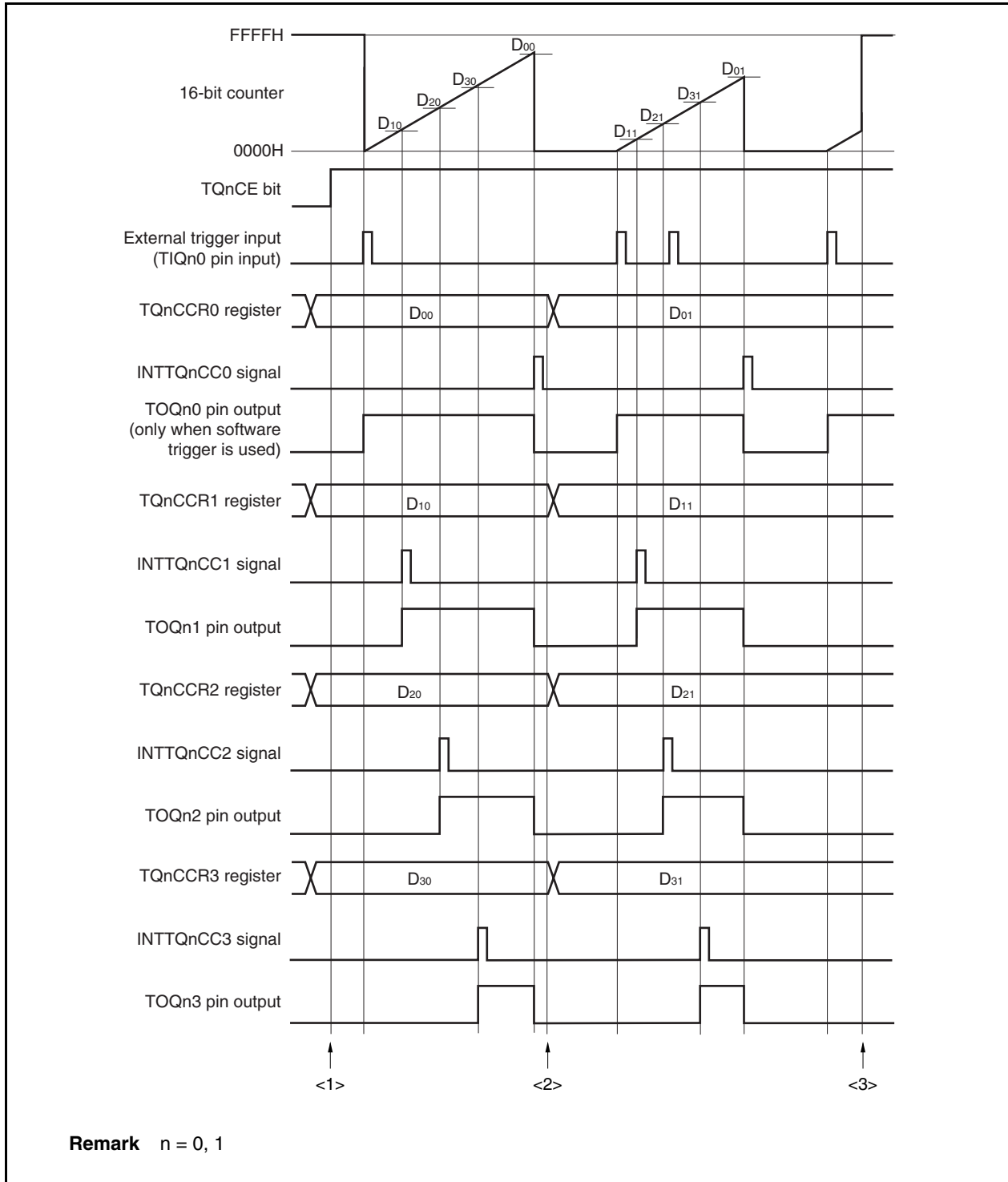
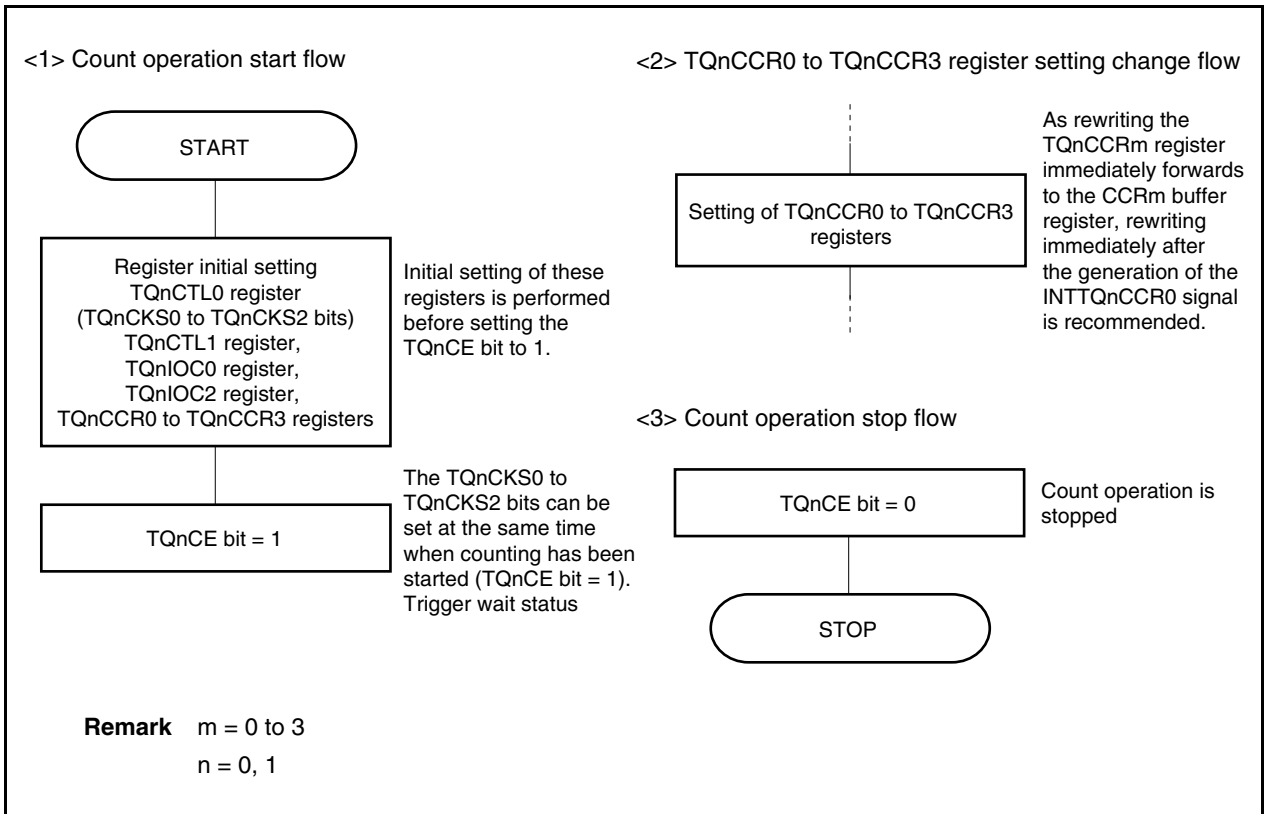


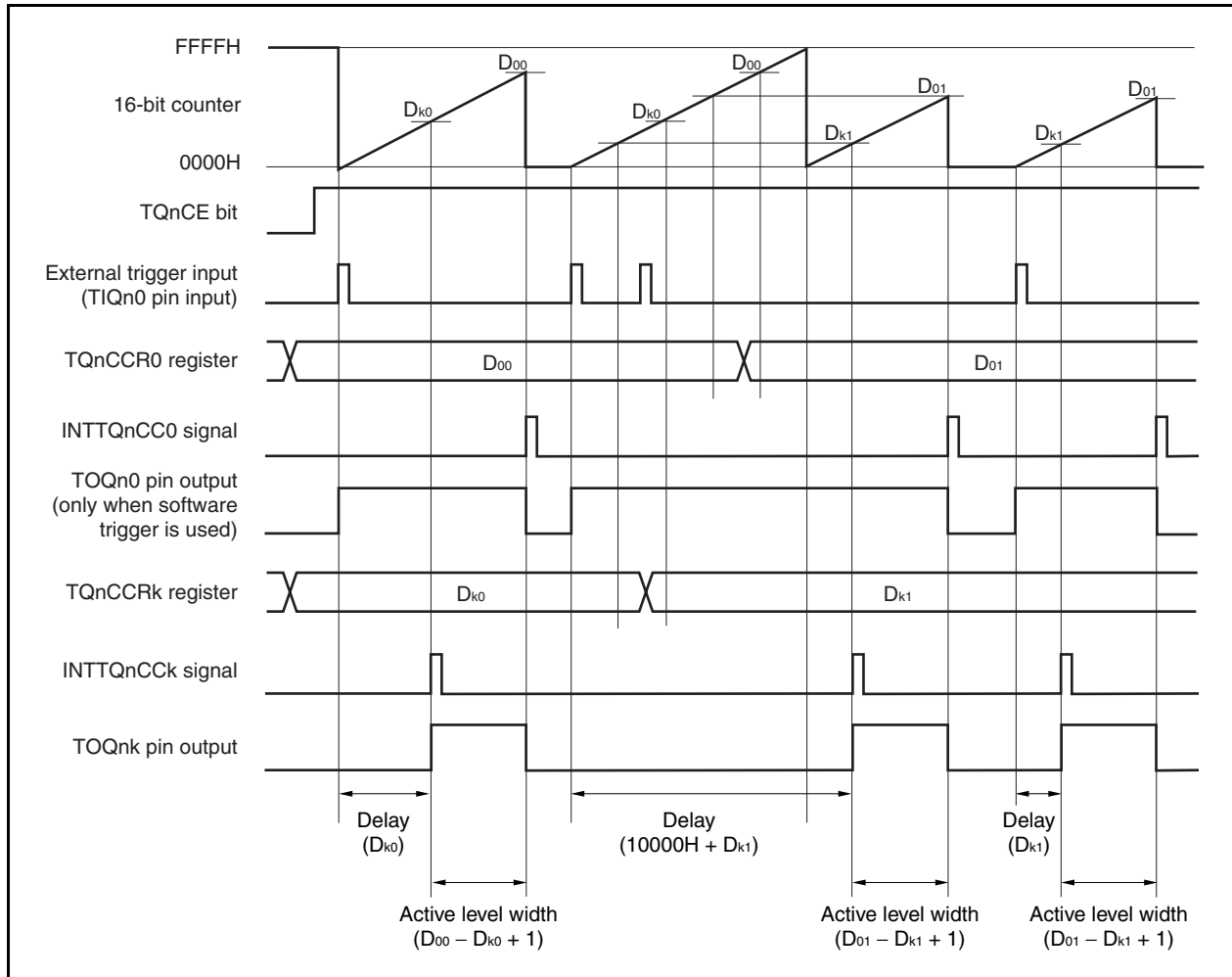
Figure 7-23. Software Processing Flow in One-Shot Pulse Output Mode (2/2)



**(2) Operation timing in one-shot pulse output mode****(a) Note on rewriting TQnCCRm register**

To change the set value of the TQnCCRm register to a smaller value, stop counting once, and then change the set value.

If the value of the TQnCCR0 register is rewritten to a smaller value during counting, the 16-bit counter may overflow.



When the TQnCCR0 register is rewritten from D<sub>00</sub> to D<sub>01</sub> and the TQnCCRk register from D<sub>k0</sub> to D<sub>k1</sub> where D<sub>00</sub> > D<sub>01</sub> and D<sub>k0</sub> > D<sub>k1</sub>, if the TQnCCRk register is rewritten when the count value of the 16-bit counter is greater than D<sub>k1</sub> and less than D<sub>k0</sub> and if the TQnCCR0 register is rewritten when the count value is greater than D<sub>01</sub> and less than D<sub>00</sub>, each set value is reflected as soon as the register has been rewritten and compared with the count value. The counter counts up to FFFFH and then counts up again from 0000H. When the count value matches D<sub>k1</sub>, the counter generates the INTTQnCCK signal and asserts the TOQnk pin. When the count value matches D<sub>01</sub>, the counter generates the INTTQnCC0 signal, deasserts the TOQnk pin, and stops counting.

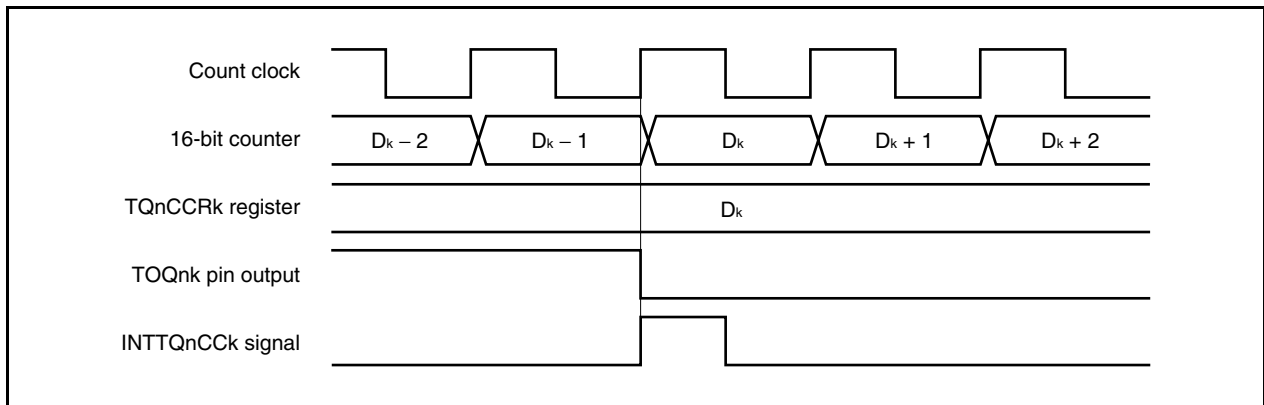
Therefore, the counter may output a pulse with a delay period or active period different from that of the one-shot pulse that is originally expected.

**Remark** k = 1 to 3  
n = 0, 1



**(b) Generation timing of compare match interrupt request signal (INTTQnCCK)**

The generation timing of the INTTQnCCK signal in the one-shot pulse output mode is different from other INTTQnCCK signals; the INTTQnCCK signal is generated when the count value of the 16-bit counter matches the value of the TQnCCRk register.



Usually, the INTTQnCCK signal is generated when the 16-bit counter counts up next time after its count value matches the value of the TQnCCRk register.

In the one-shot pulse output mode, however, it is generated one clock earlier. This is because the timing is changed to match the change timing of the TOQnk pin.

**Remark**  $k = 1$  to  $3$   
 $n = 0, 1$

7.5.5 PWM output mode (TQnMD2 to TQnMD0 bits = 100)

In the PWM output mode, a PWM waveform is output from the TOQn1 to TOQn3 pins when the TQnCTL0.TQnCE bit is set to 1.

In addition, a pulse with one cycle of the PWM waveform as half its cycle is output from the TOQn0 pin.

Figure 7-24. Configuration in PWM Output Mode

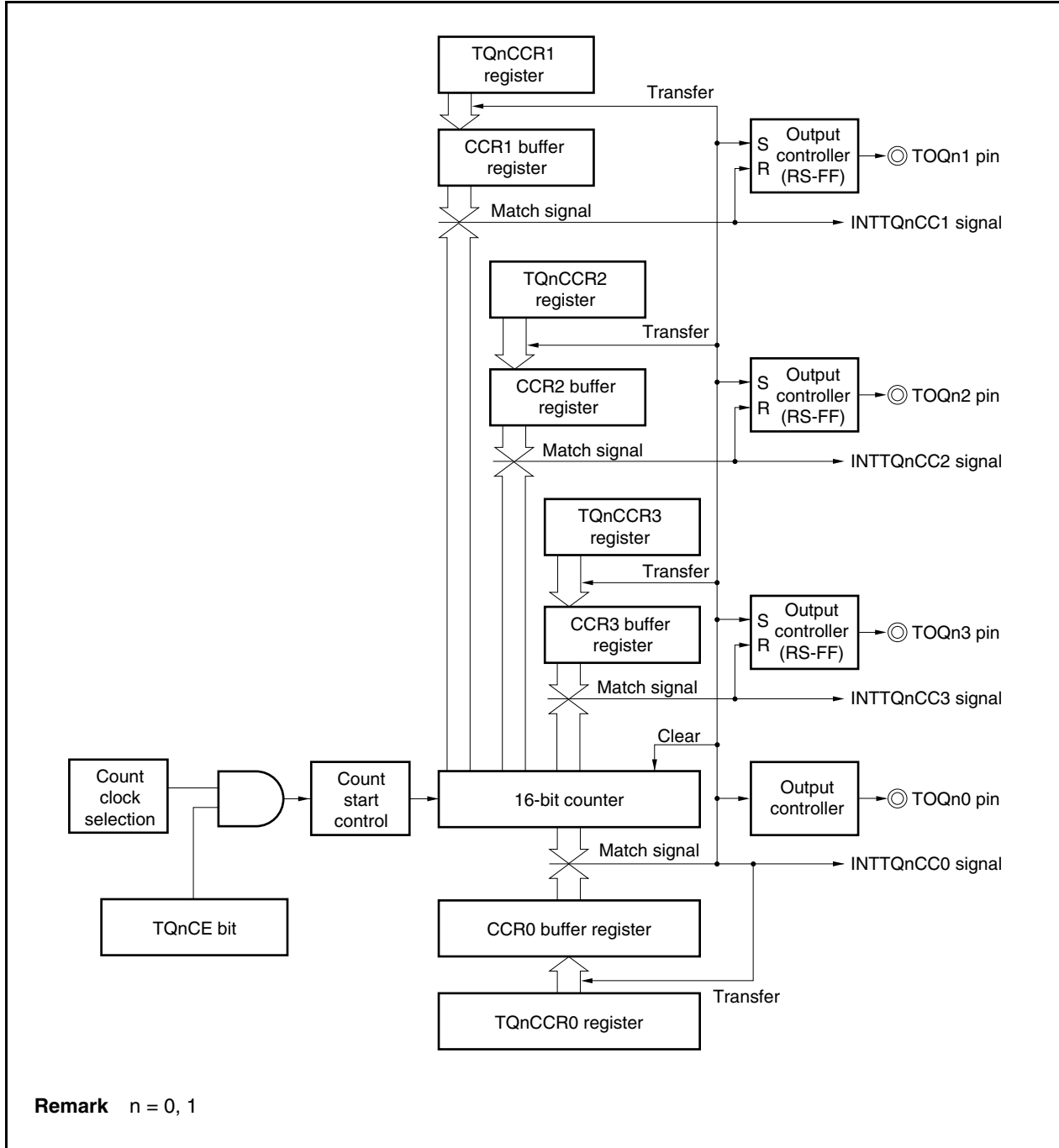
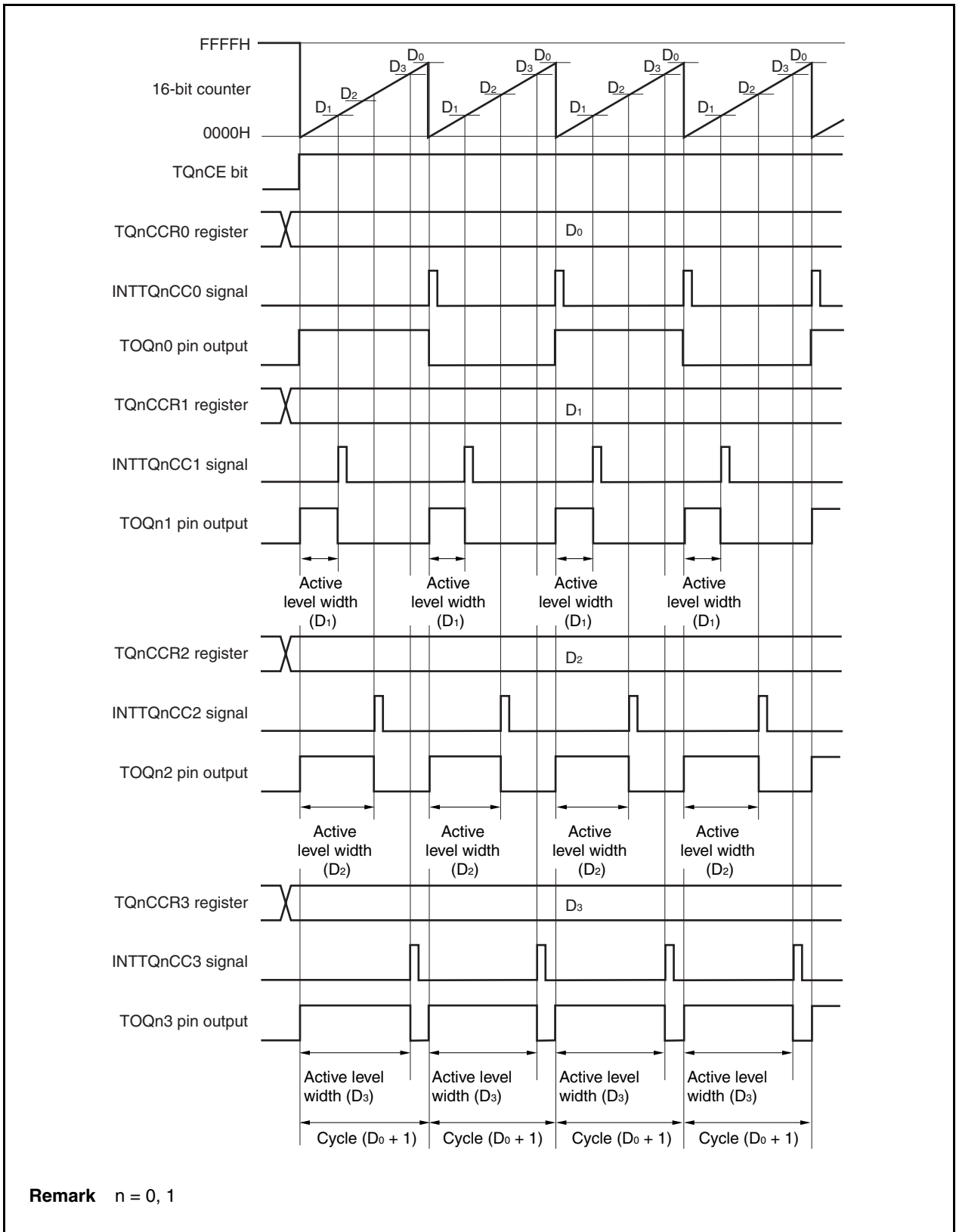


Figure 7-25. Basic Timing in PWM Output Mode



When the TQnCE bit is set to 1, the 16-bit counter is cleared from FFFFH to 0000H, starts counting, and outputs PWM waveform from the TOQnk pin.

The active level width, cycle, and duty factor of the PWM waveform can be calculated as follows.

$$\text{Active level width} = (\text{Set value of TQnCCRk register}) \times \text{Count clock cycle}$$

$$\text{Cycle} = (\text{Set value of TQnCCR0 register} + 1) \times \text{Count clock cycle}$$

$$\text{Duty factor} = (\text{Set value of TQnCCRk register}) / (\text{Set value of TQnCCR0 register} + 1)$$

The PWM waveform can be changed by rewriting the TQnCCRm register while the counter is operating. The newly written value is reflected when the count value of the 16-bit counter matches the value of the CCR0 buffer register and the 16-bit counter is cleared to 0000H.

The compare match interrupt request signal (INTTQnCC0) is generated when the 16-bit counter counts next time after its count value matches the value of the CCR0 buffer register, and the 16-bit counter is cleared to 0000H. The compare match interrupt request signal (INTTQnCCk) is generated when the count value of the 16-bit counter matches the value of the CCRk buffer register.

**Remark** k = 1 to 3,  
m = 0 to 3,  
n = 0, 1

Figure 7-26. Setting of Registers in PWM Output Mode (1/3)

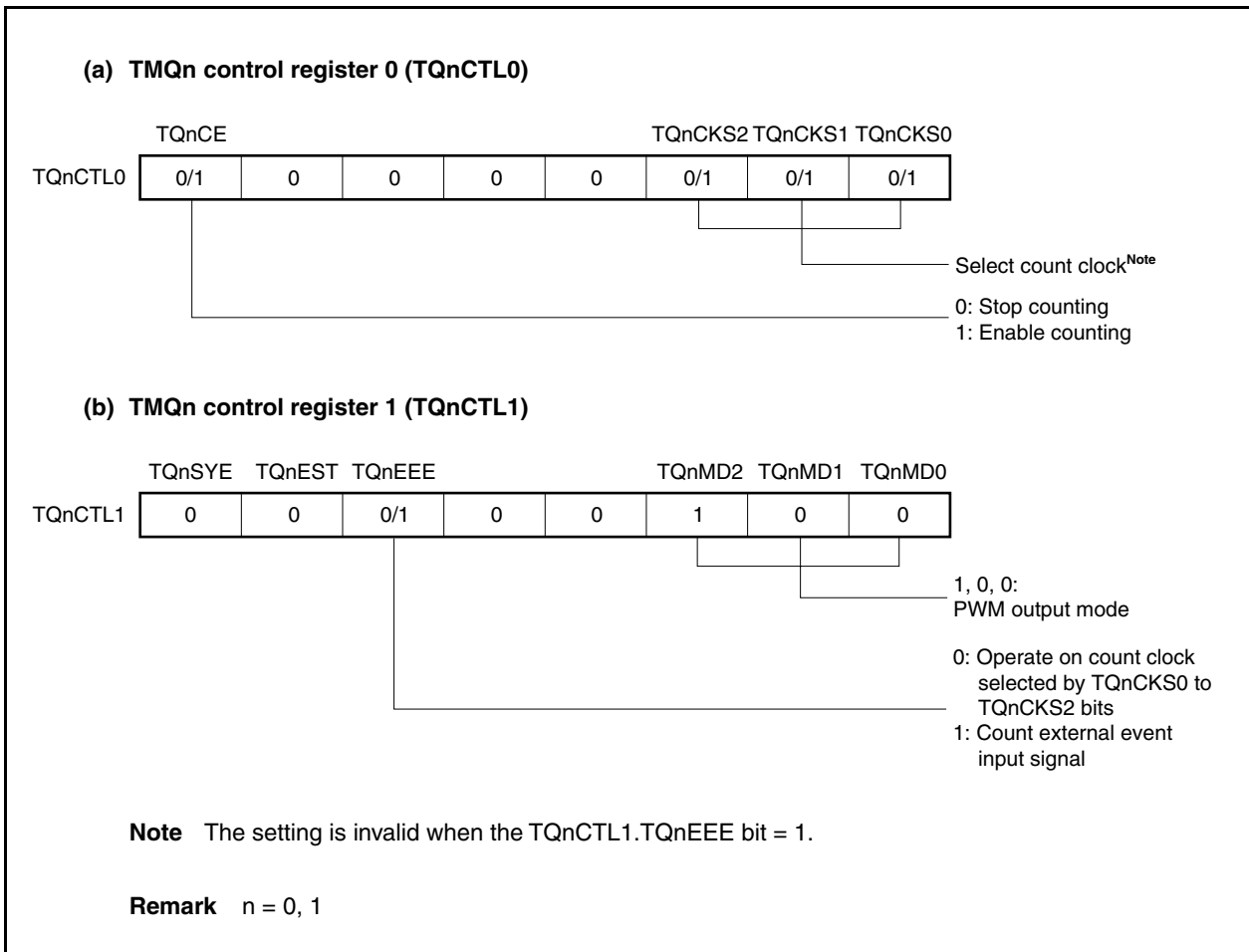


Figure 7-26. Setting of Registers in PWM Output Mode (2/3)

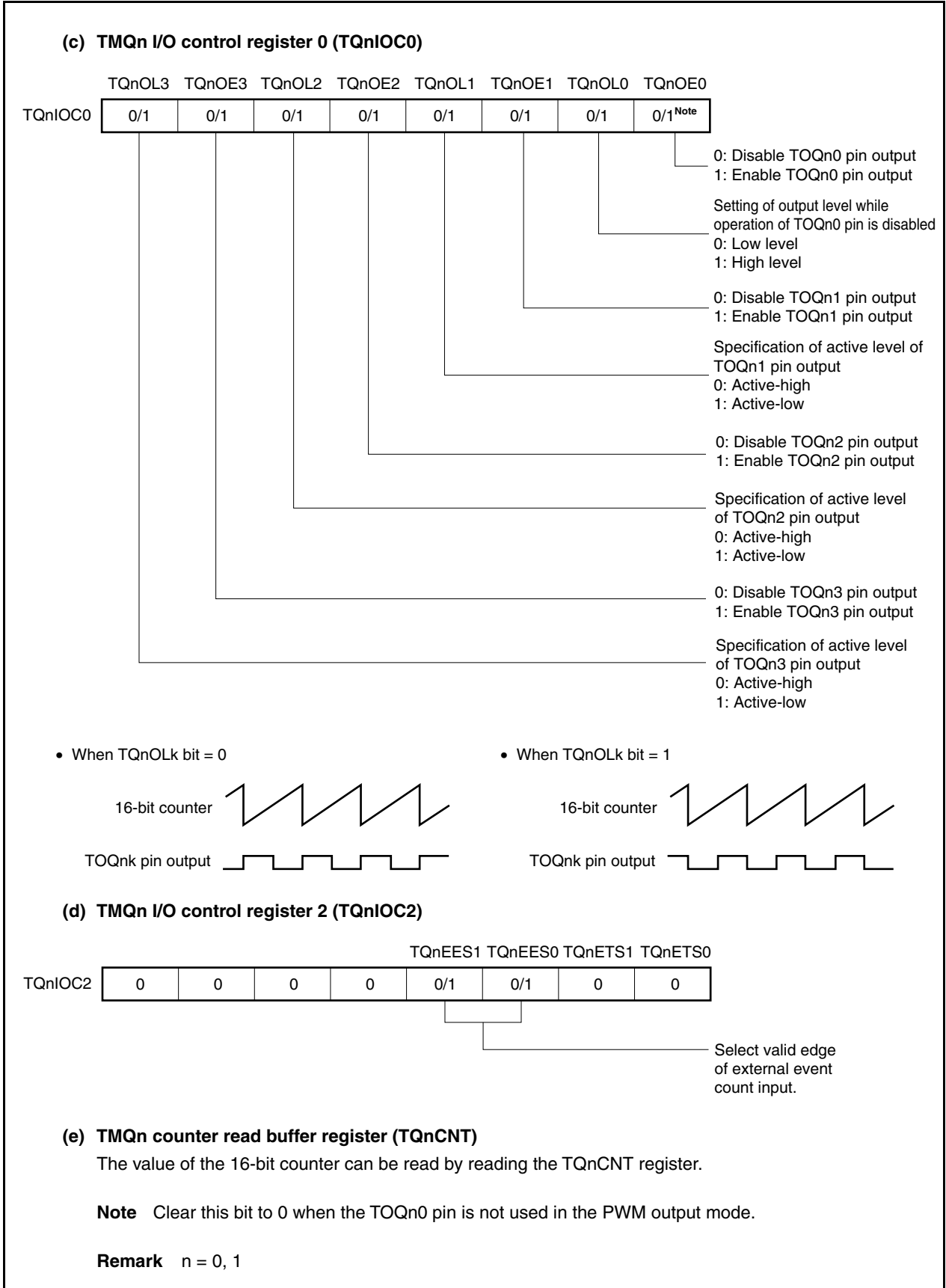


Figure 7-26. Register Setting in PWM Output Mode (3/3)

**(f) TMQn capture/compare registers 0 to 3 (TQnCCR0 to TQnCCR3)**

If  $D_0$  is set to the TQnCCR0 register and  $D_k$  to the TQnCCRk register, the cycle and active level of the PWM waveform are as follows.

$$\text{Cycle} = (D_0 + 1) \times \text{Count clock cycle}$$

$$\text{Active level width} = D_k \times \text{Count clock cycle}$$

- Remarks**
1. TMQn I/O control register 1 (TQnIOC1) and TMQn option register 0 (TQnOPT0) are not used in the PWM output mode.
  2. Updating the TMQn capture/compare register 2 (TQnCCR2) and TMQn capture/compare register 3 (TQnCCR3) is validated by writing the TMQn capture/compare register 1 (TQnCCR1).
  3.  $n = 0, 1$

(1) Operation flow in PWM output mode

Figure7-27. Software Processing Flow in PWM Output Mode (1/2)

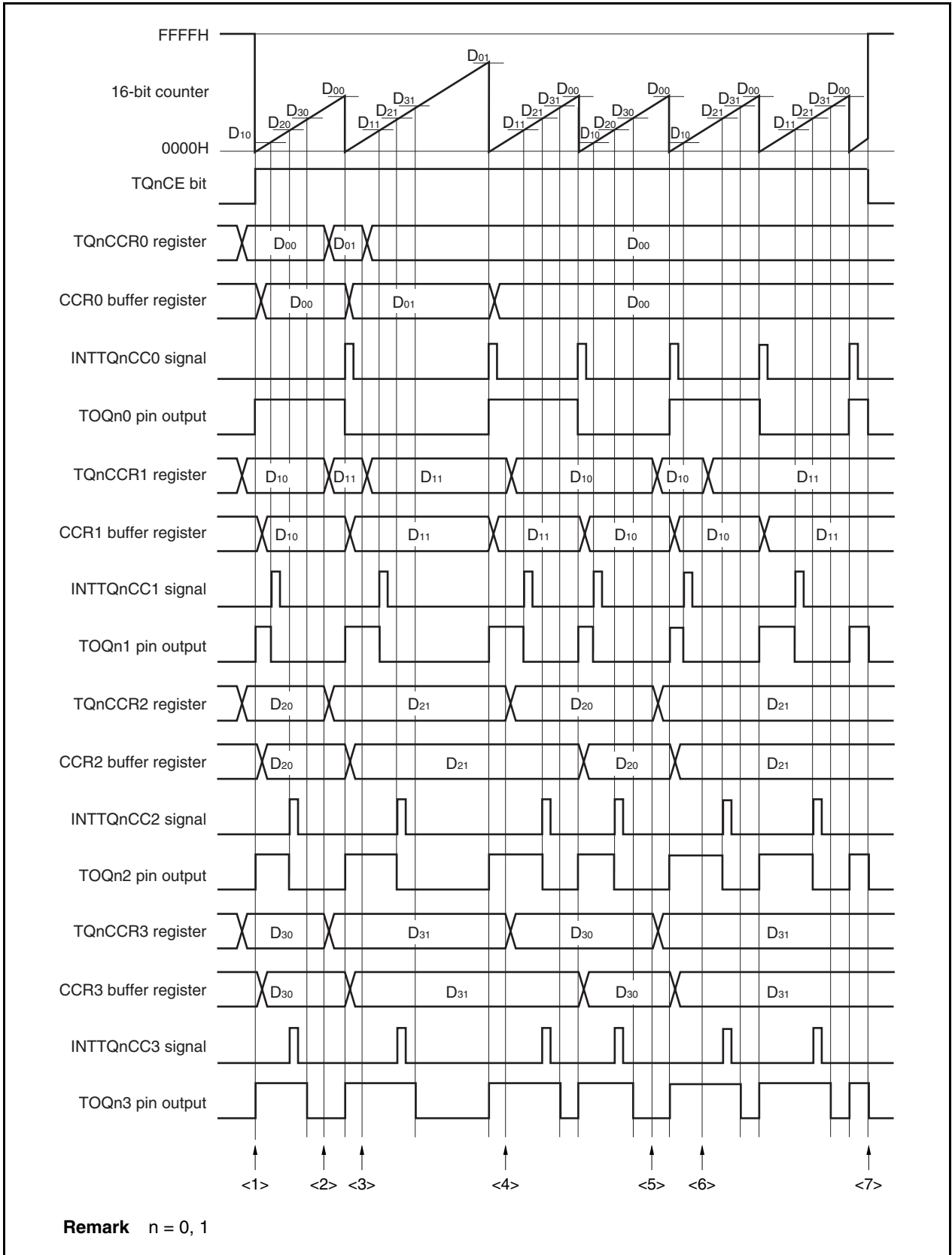
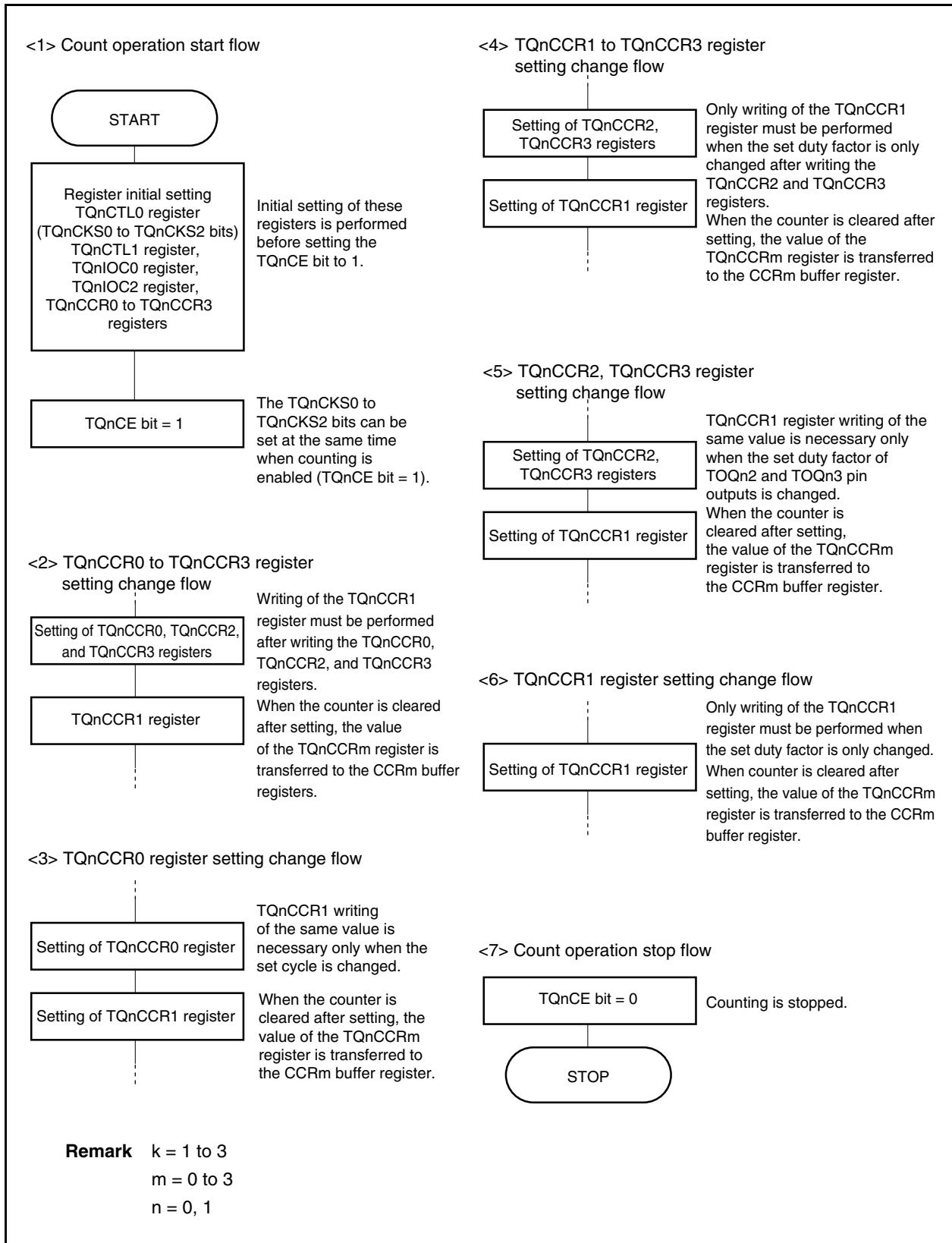


Figure 7-27. Software Processing Flow in PWM Output Mode (2/2)



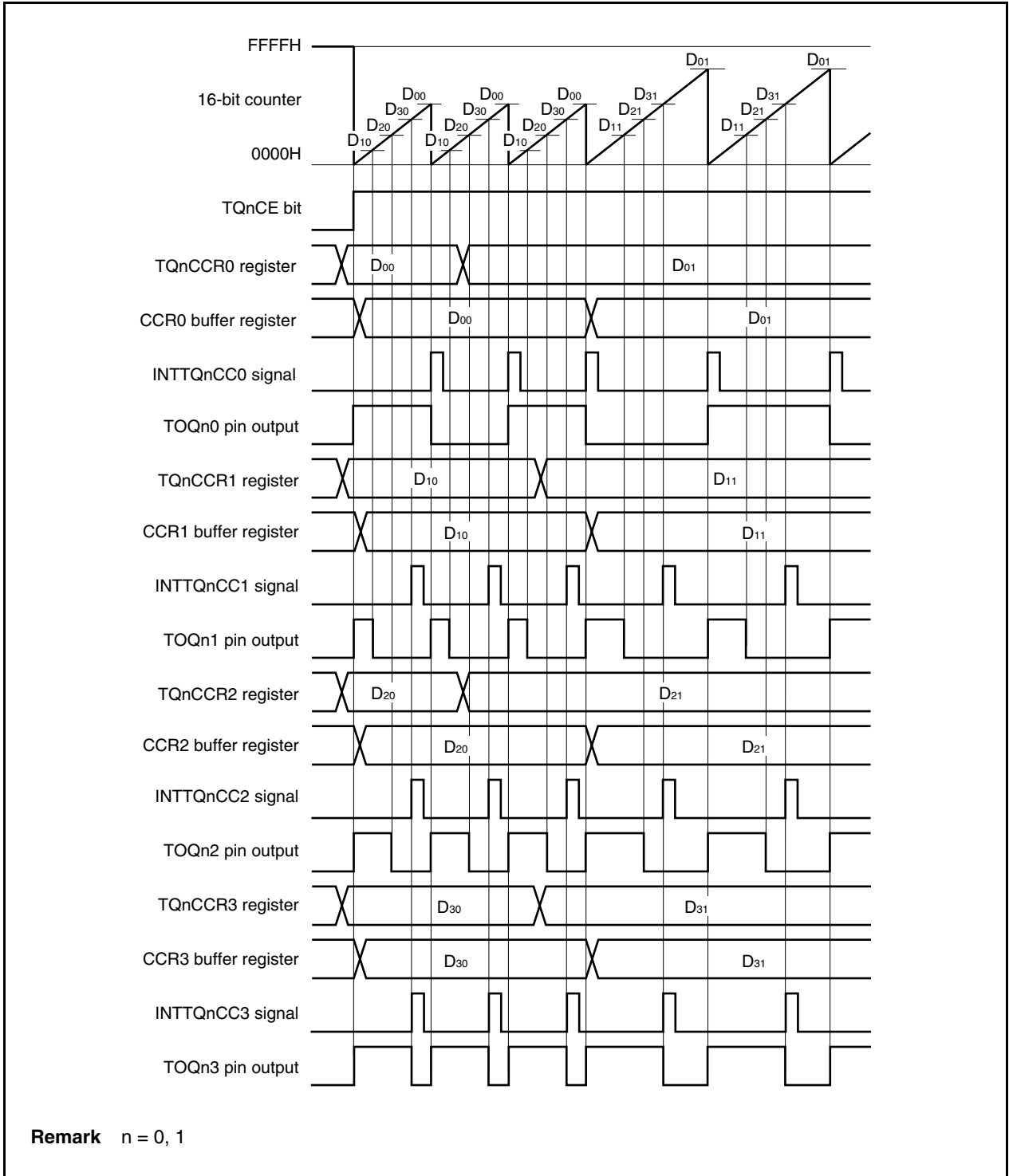


(2) PWM output mode operation timing

(a) Changing pulse width during operation

To change the PWM waveform while the counter is operating, write the TQnCCR1 register last.

Rewrite the TQnCCRk register after writing the TQnCCR1 register after the INTTQnCC1 signal is detected.



To transfer data from the TQnCCRm register to the CCRm buffer register, the TQnCCR1 register must be written.

To change both the cycle and active level of the PWM waveform at this time, first set the cycle to the TQnCCR0 register, set the active level width to the TQnCCR2 and TQnCCR3 registers, and then set an active level width to the TQnCCR1 register.

To change only the active level width (duty factor) of PWM wave, first set the active level to the TQnCCR2 and TQnCCR3 registers, and then set an active level to the TQnCCR1 register.

To change only the active level width (duty factor) of the PWM waveform output by the TOQn1 pin, only the TQnCCR1 register has to be set.

To change only the active level width (duty factor) of the PWM waveform output by the TOQn2 and TOQn3 pins, first set an active level width to the TQnCCR2 and TQnCCR3 registers, and then write the same value to the TQnCCR1 register.

After the TQnCCR1 register is written, the value written to the TQnCCRm register is transferred to the CCRm buffer register in synchronization with the timing of clearing the 16-bit counter, and is used as a value to be compared with the value of the 16-bit counter.

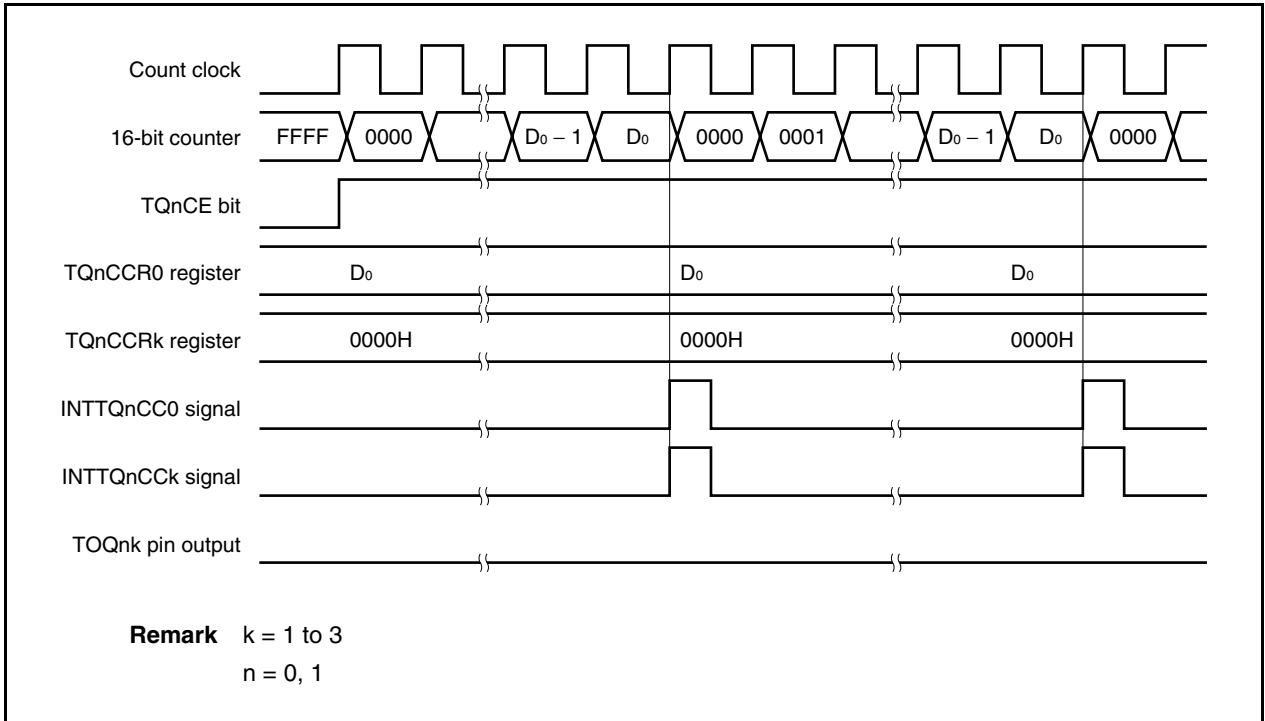
To change only the cycle of the PWM waveform, first set a cycle to the TQnCCR0 register, and then write the same value to the TQnCCR1 register.

To write the TQnCCR0 to TQnCCR3 registers again after writing the TQnCCR1 register once, do so after the INTTQnCC0 signal is generated. Otherwise, the value of the CCRm buffer register may become undefined because the timing of transferring data from the TQnCCRm register to the CCRm buffer register conflicts with writing the TQnCCRm register.

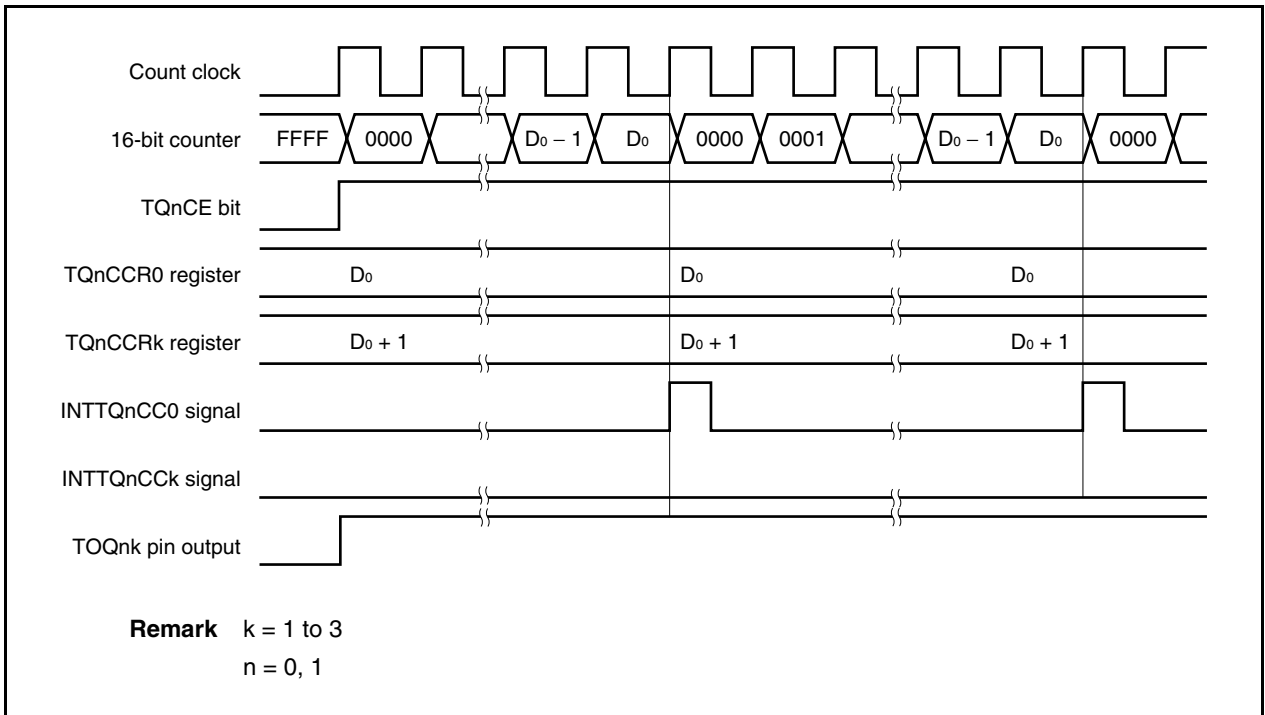
**Remark** m = 0 to 3  
n = 0, 1

**(b) 0%/100% output of PWM waveform**

To output a 0% waveform, set the TQnCCRk register to 0000H. If the set value of the TQnCCR0 register is FFFFH, the INTTQnCCK signal is generated periodically.

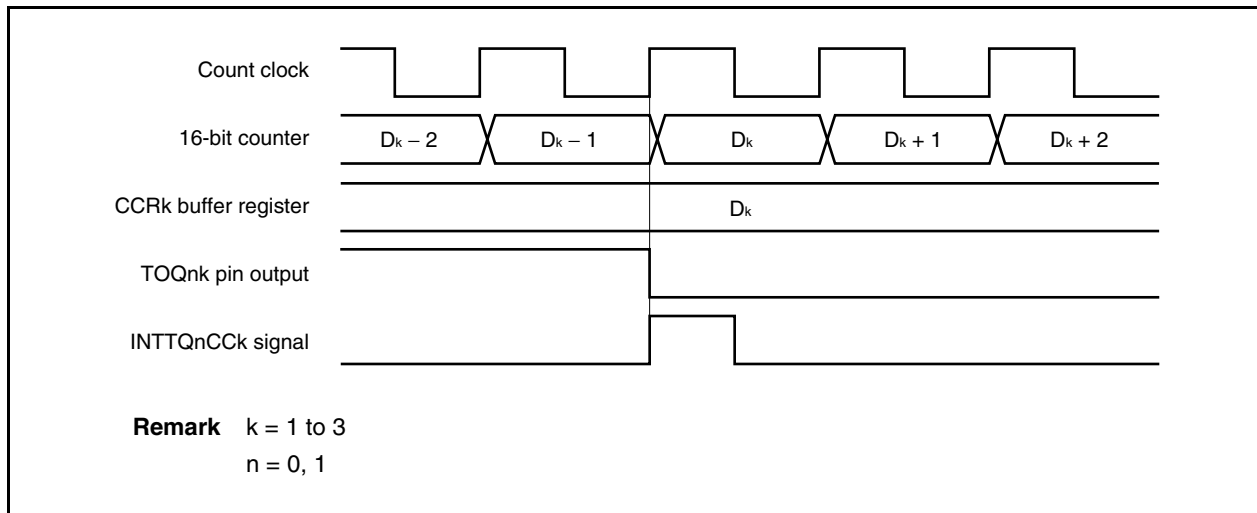


To output a 100% waveform, set a value of (set value of TQnCCR0 register + 1) to the TQnCCRk register. If the set value of the TQnCCR0 register is FFFFH, 100% output cannot be produced.



**(c) Generation timing of compare match interrupt request signal (INTTQnCCK)**

The timing of generation of the INTTQnCCK signal in the PWM output mode differs from the timing of other INTTQnCCK signals; the INTTQnCCK signal is generated when the count value of the 16-bit counter matches the value of the TQnCCRk register.



Usually, the INTTQnCCK signal is generated in synchronization with the next counting up after the count value of the 16-bit counter matches the value of the TQnCCRk register.

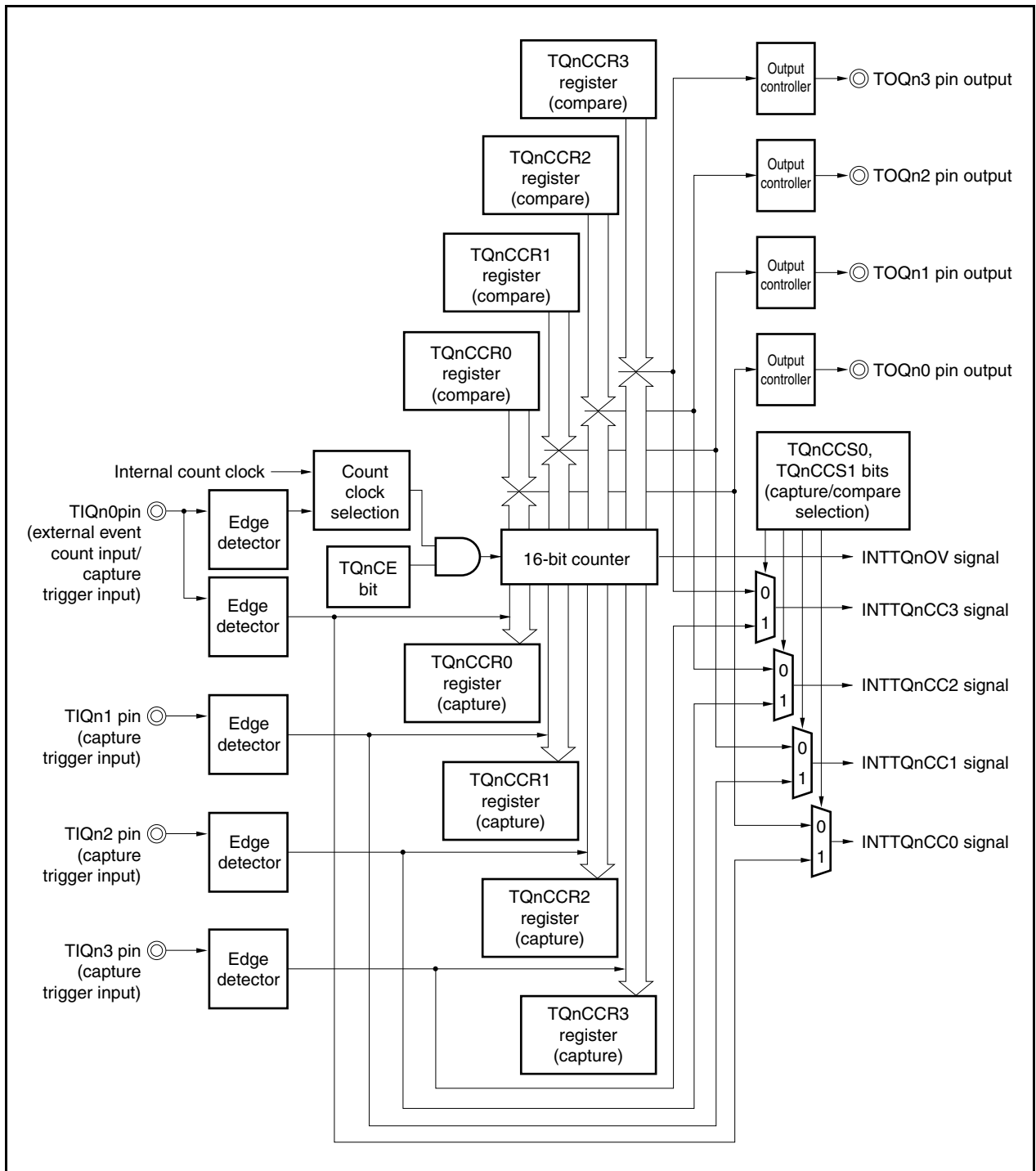
In the PWM output mode, however, it is generated one clock earlier. This is because the timing is changed to match the change timing of the output signal of the TOQnk pin.

**7.5.6 Free-running timer mode (TQnMD2 to TQnMD0 bits = 101)**

In the free-running timer mode, 16-bit timer/event counter Q starts counting when the TQnCTL0.TQnCE bit is set to 1. At this time, the TQnCCRm register can be used as a compare register or a capture register, depending on the setting of the TQnOPT0.TQnCCS0 and TQnOPT0.TQnCCS1 bits.

**Remark** m = 0 to 3  
n = 0, 1

**Figure 7-28. Configuration in Free-Running Timer Mode**

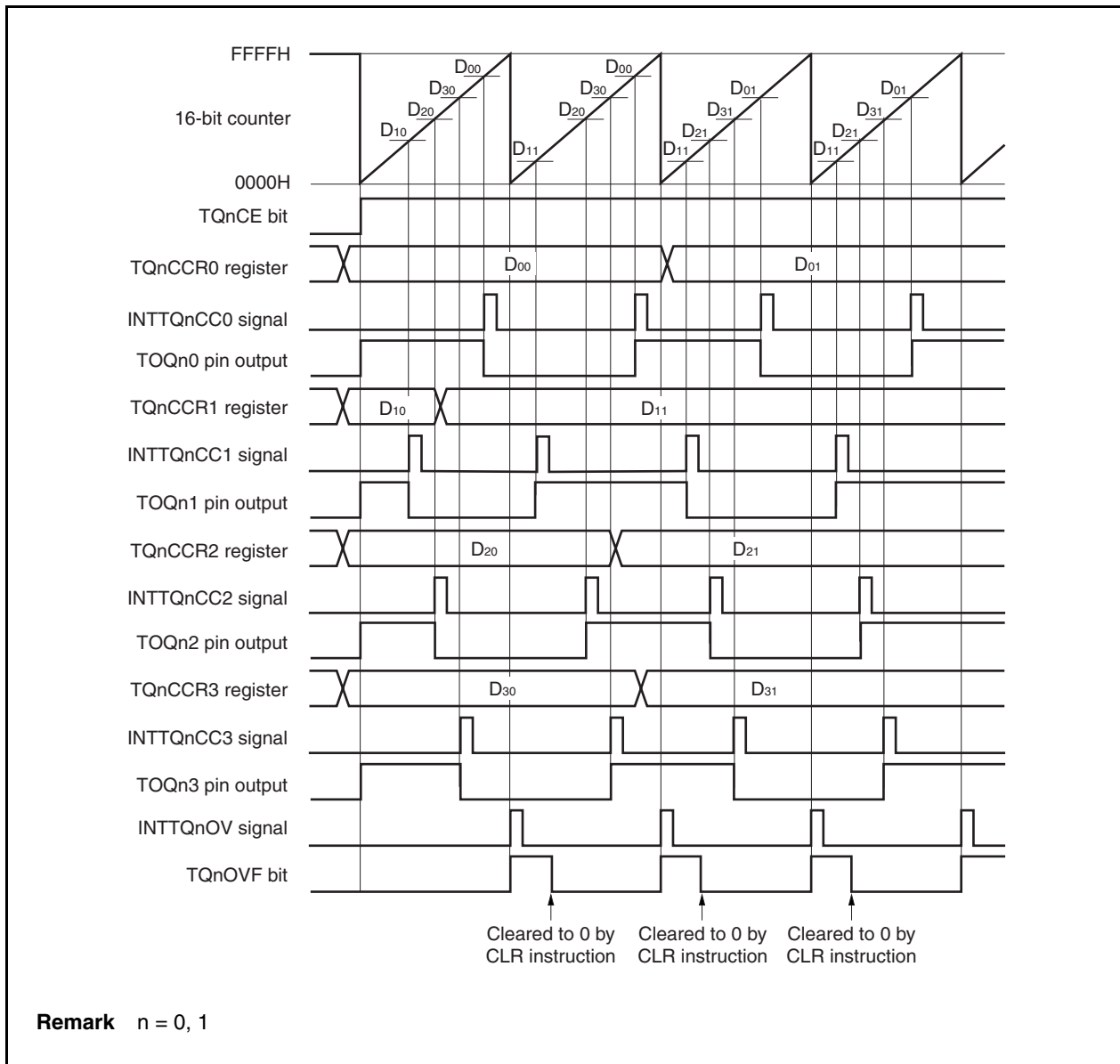


When the TQnCE bit is set to 1, 16-bit timer/event counter Q starts counting, and the output signals of the TOQn0 to TOQn3 pins are inverted. When the count value of the 16-bit counter later matches the set value of the TQnCCRm register, a compare match interrupt request signal (INTTQnCCm) is generated, and the output signal of the TOQnm pin is inverted.

The 16-bit counter continues counting in synchronization with the count clock. When it counts up to FFFFH, it generates an overflow interrupt request signal (INTTQnOV) at the next clock, is cleared to 0000H, and continues counting. At this time, the overflow flag (TQnOPT0.TQnOVF bit) is also set to 1. Clear the overflow flag to 0 by executing the CLR instruction by software.

The TQnCCRm register can be rewritten while the counter is operating. If it is rewritten, the new value is reflected at that time, and compared with the count value.

**Figure 7-29. Basic Timing in Free-Running Timer Mode (Compare Function)**



When the TQnCE bit is set to 1, the 16-bit counter starts counting. When the valid edge input to the TIQnm pin is detected, the count value of the 16-bit counter is stored in the TQnCCRm register, and a capture interrupt request signal (INTTQnCCm) is generated.

The 16-bit counter continues counting in synchronization with the count clock. When it counts up to FFFFH, it generates an overflow interrupt request signal (INTTQnOV) at the next clock, is cleared to 0000H, and continues counting. At this time, the overflow flag (TQnOVF bit) is also set to 1. Clear the overflow flag to 0 by executing the CLR instruction by software.

Figure 7-30. Basic Timing in Free-Running Timer Mode (Capture Function)

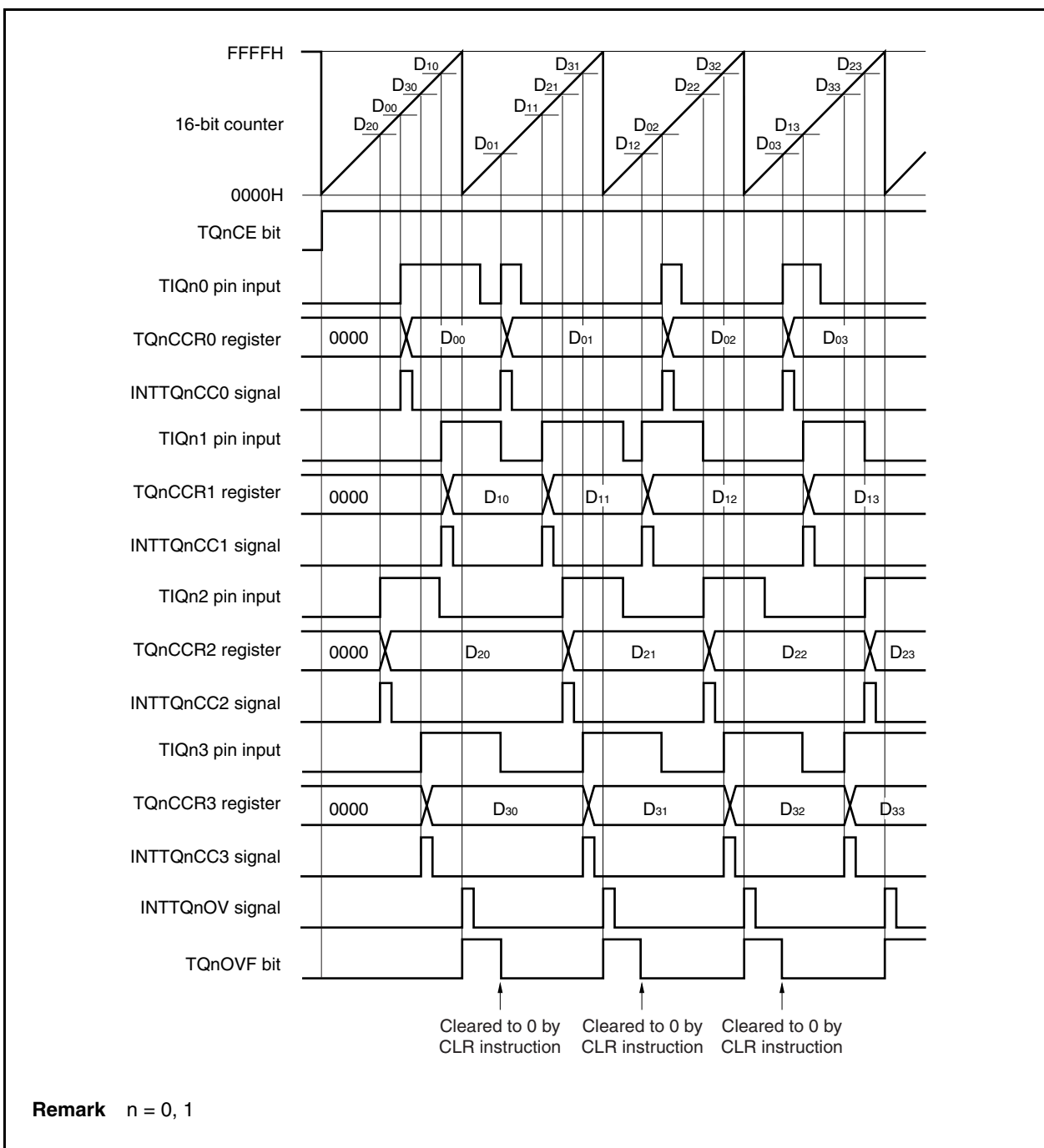


Figure 7-31. Register Setting in Free-Running Timer Mode (1/3)

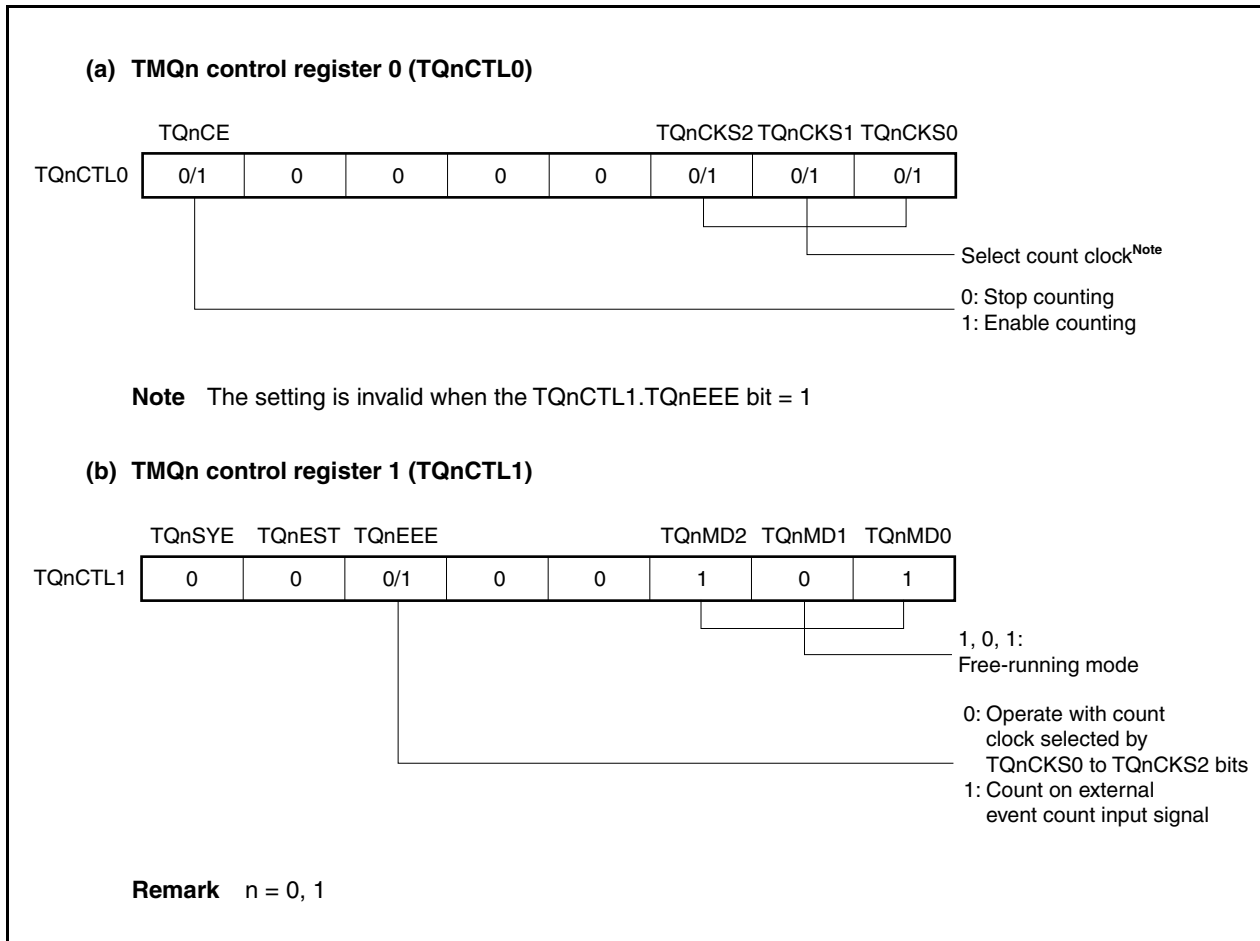




Figure 7-31. Register Setting in Free-Running Timer Mode (2/3)

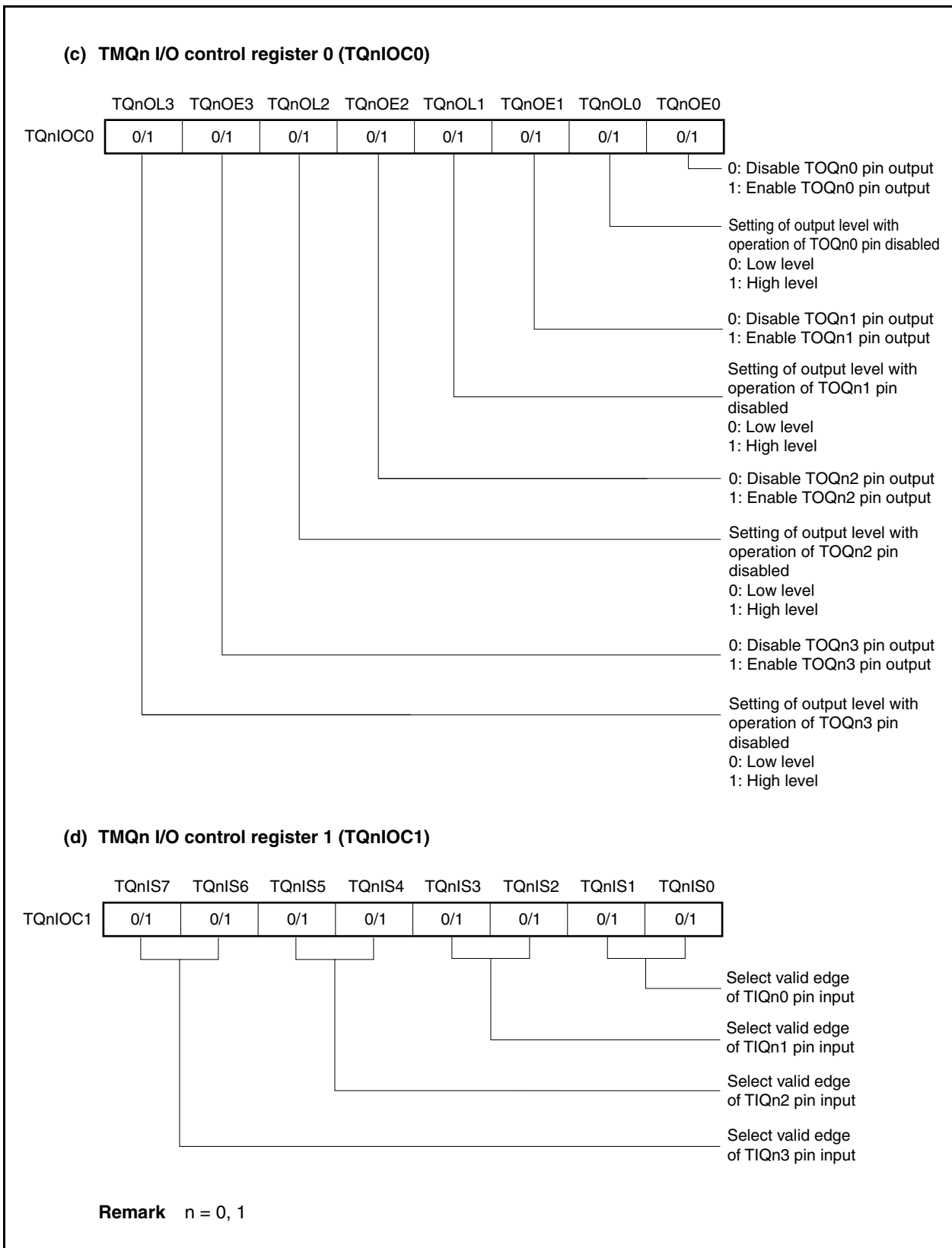
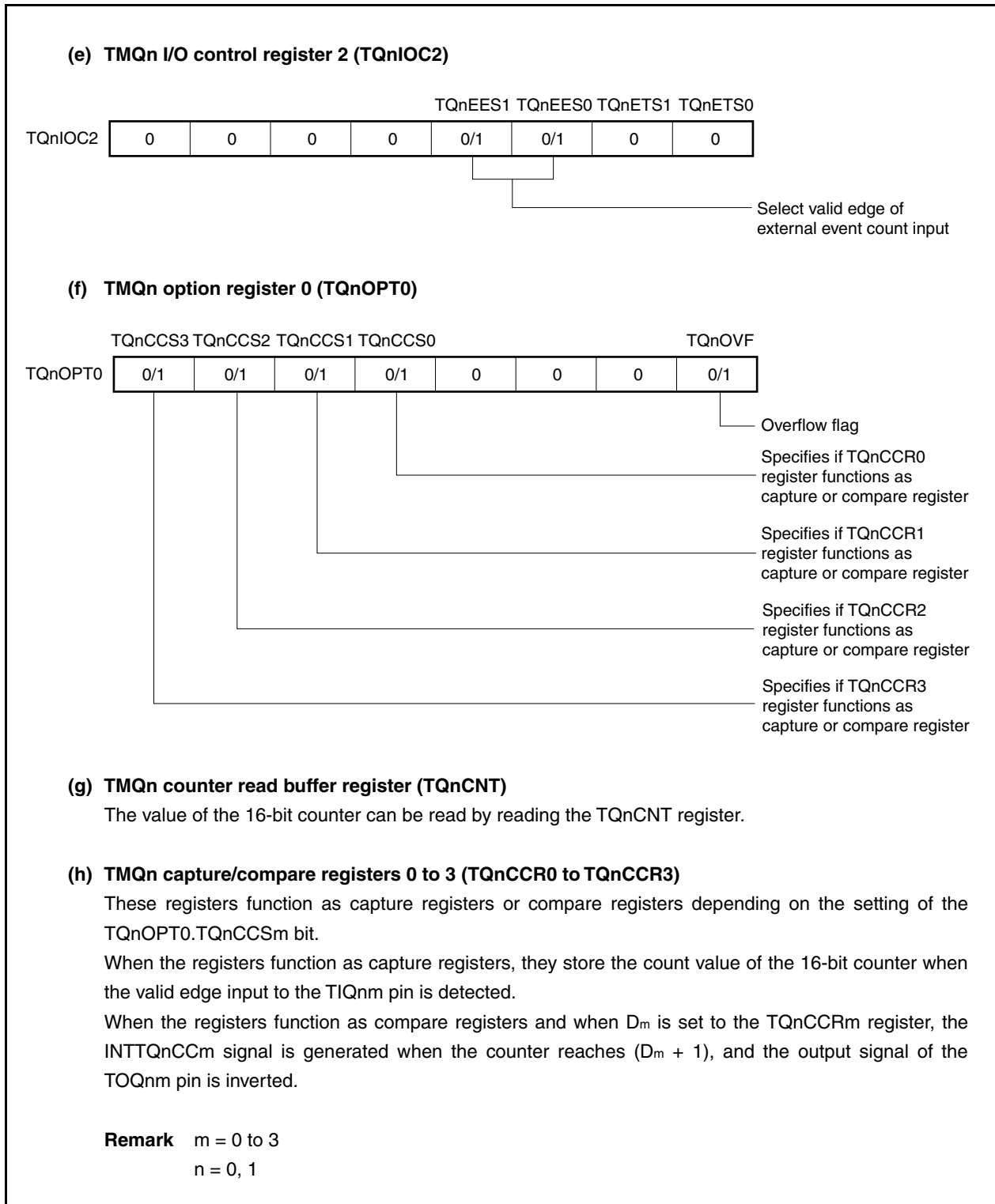


Figure 7-31. Register Setting in Free-Running Timer Mode (3/3)



(1) Operation flow in free-running timer mode

(a) When using capture/compare register as compare register

Figure 7-32. Software Processing Flow in Free-Running Timer Mode (Compare Function) (1/2)

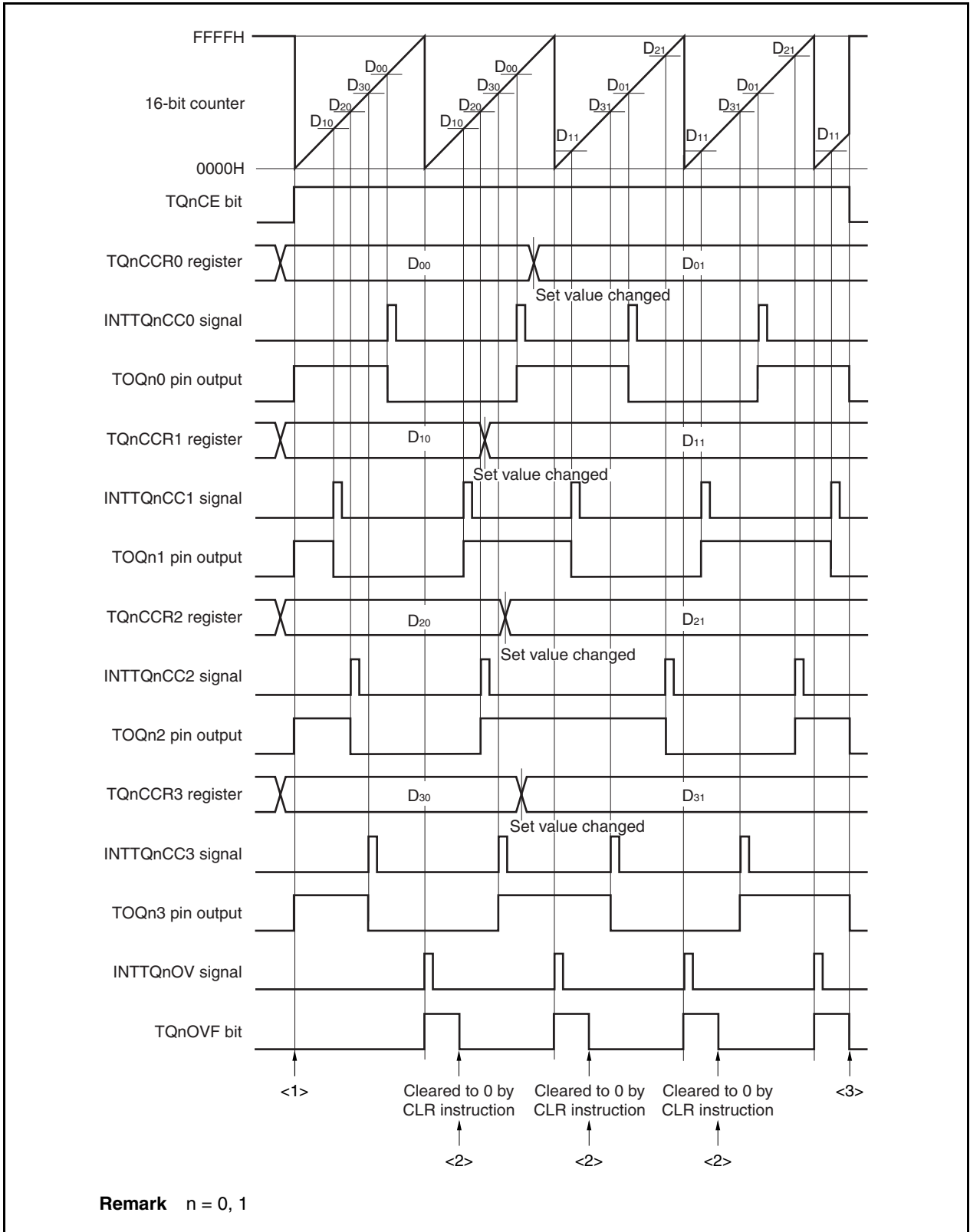
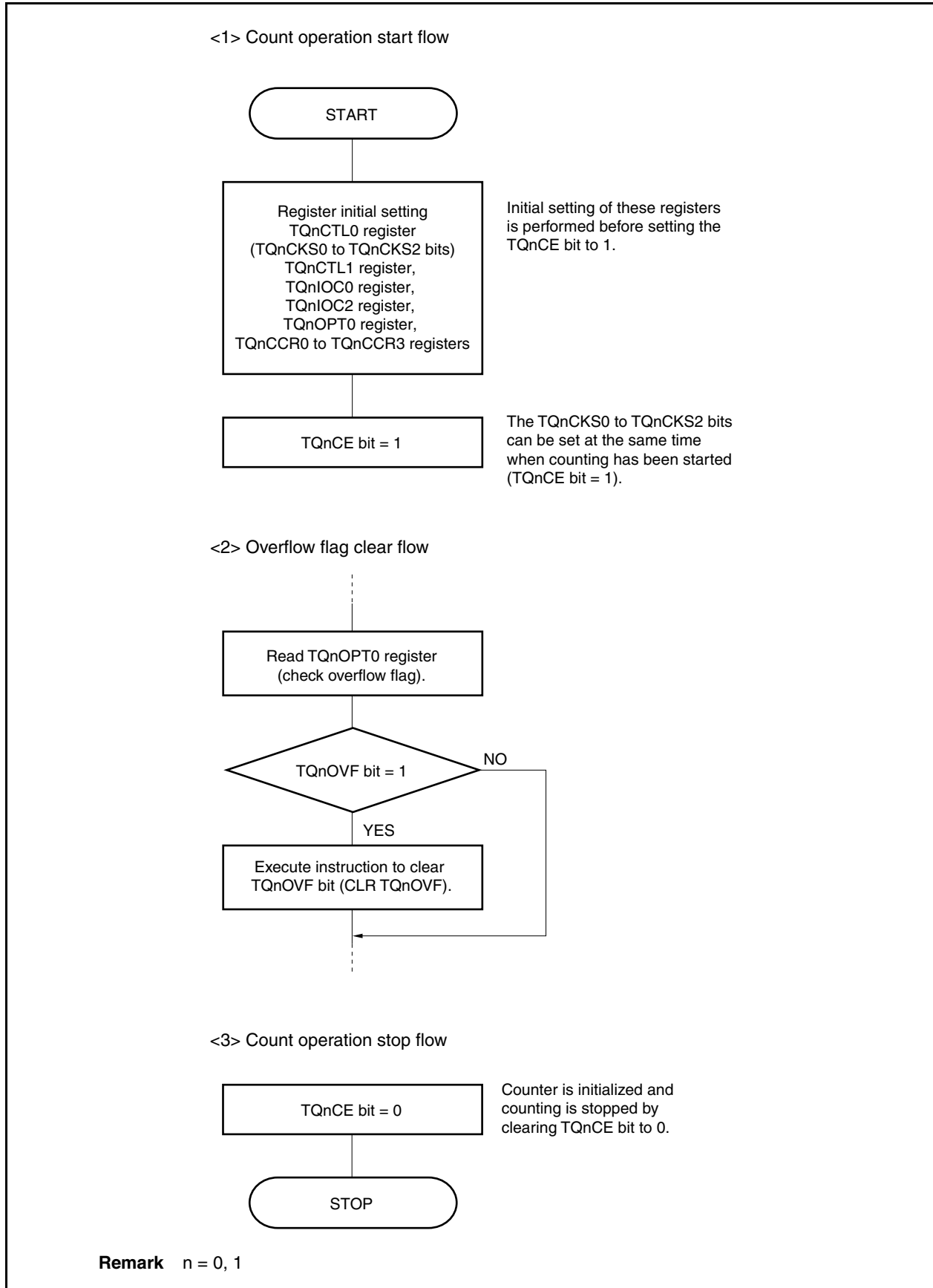


Figure 7-32. Software Processing Flow in Free-Running Timer Mode (Compare Function) (2/2)



(b) When using capture/compare register as capture register

Figure 7-33. Software Processing Flow in Free-Running Timer Mode (Capture Function) (1/2)

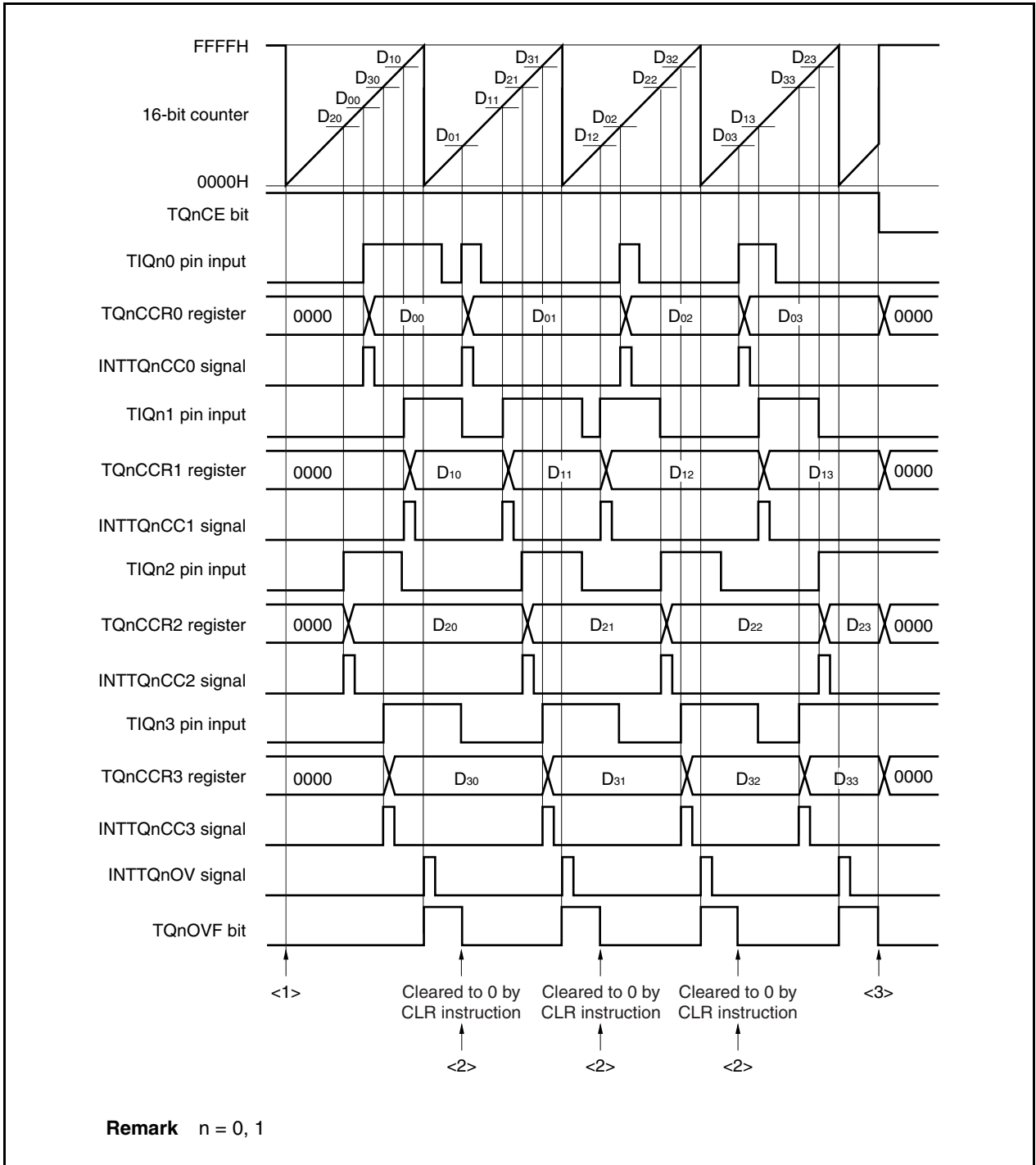
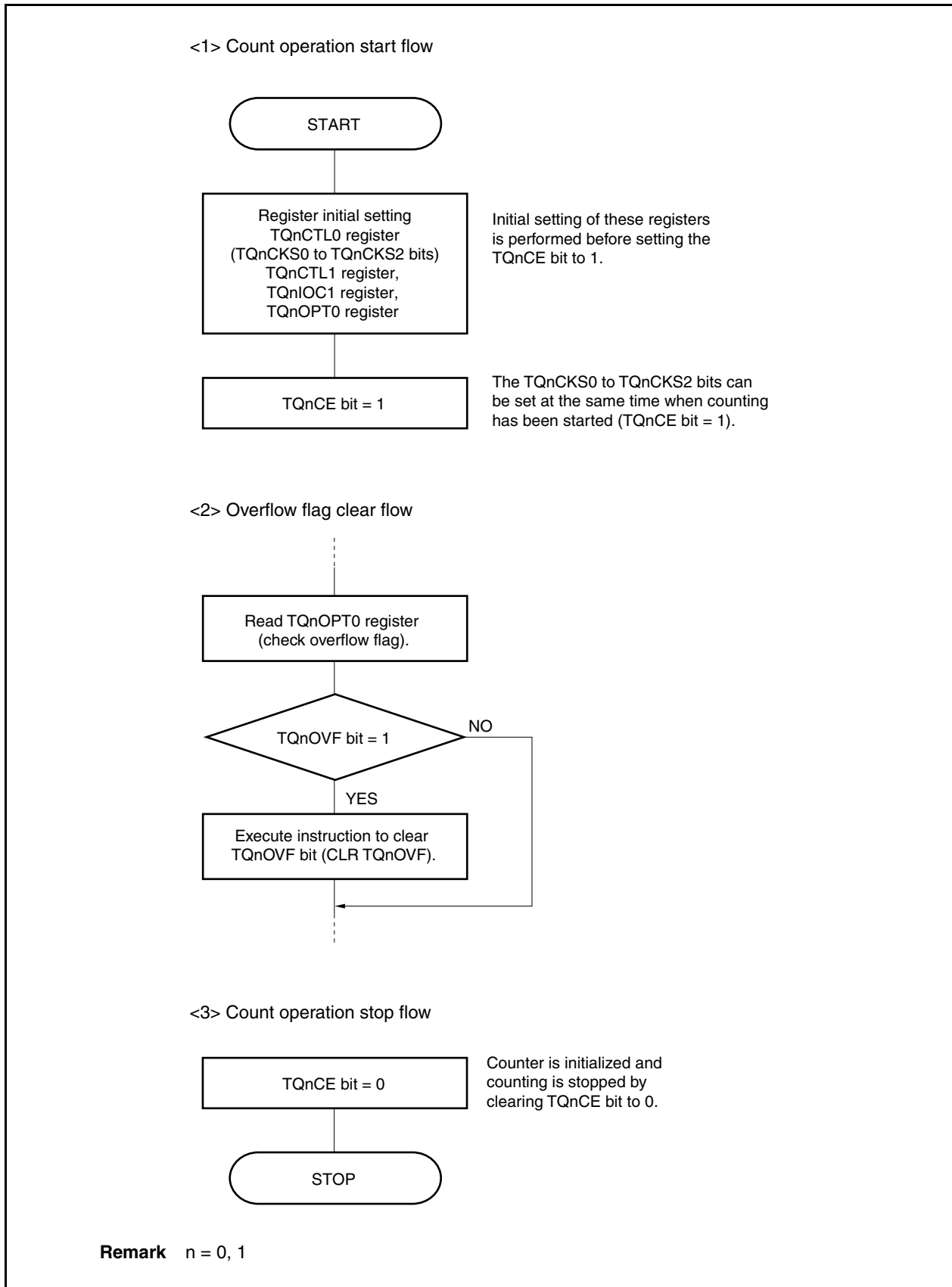


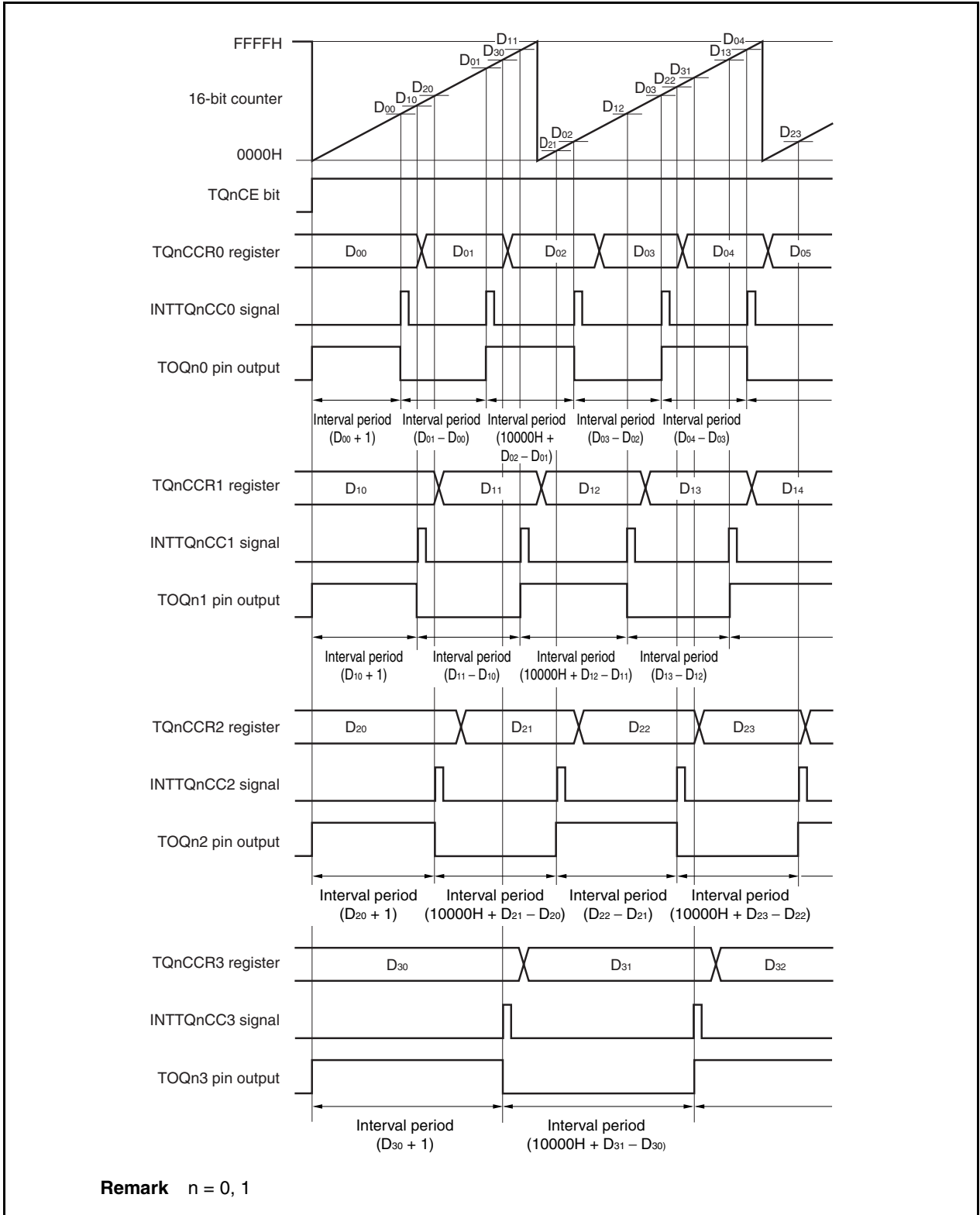
Figure 7-33. Software Processing Flow in Free-Running Timer Mode (Capture Function) (2/2)



(2) Operation timing in free-running timer mode

(a) Interval operation with compare register

When 16-bit timer/event counter Q is used as an interval timer with the TQnCCRm register used as a compare register, software processing is necessary for setting a comparison value to generate the next interrupt request signal each time the INTTQnCCm signal has been detected.



When performing an interval operation in the free-running timer mode, two intervals can be set with one channel.

To perform the interval operation, the value of the corresponding TQnCCRm register must be re-set in the interrupt servicing that is executed when the INTTQnCCm signal is detected.

The set value for re-setting the TQnCCRm register can be calculated by the following expression, where "D<sub>m</sub>" is the interval period.

Compare register default value:  $D_m - 1$

Value set to compare register second and subsequent time: Previous set value +  $D_m$

(If the calculation result is greater than FFFFH, subtract 10000H from the result and set this value to the register.)

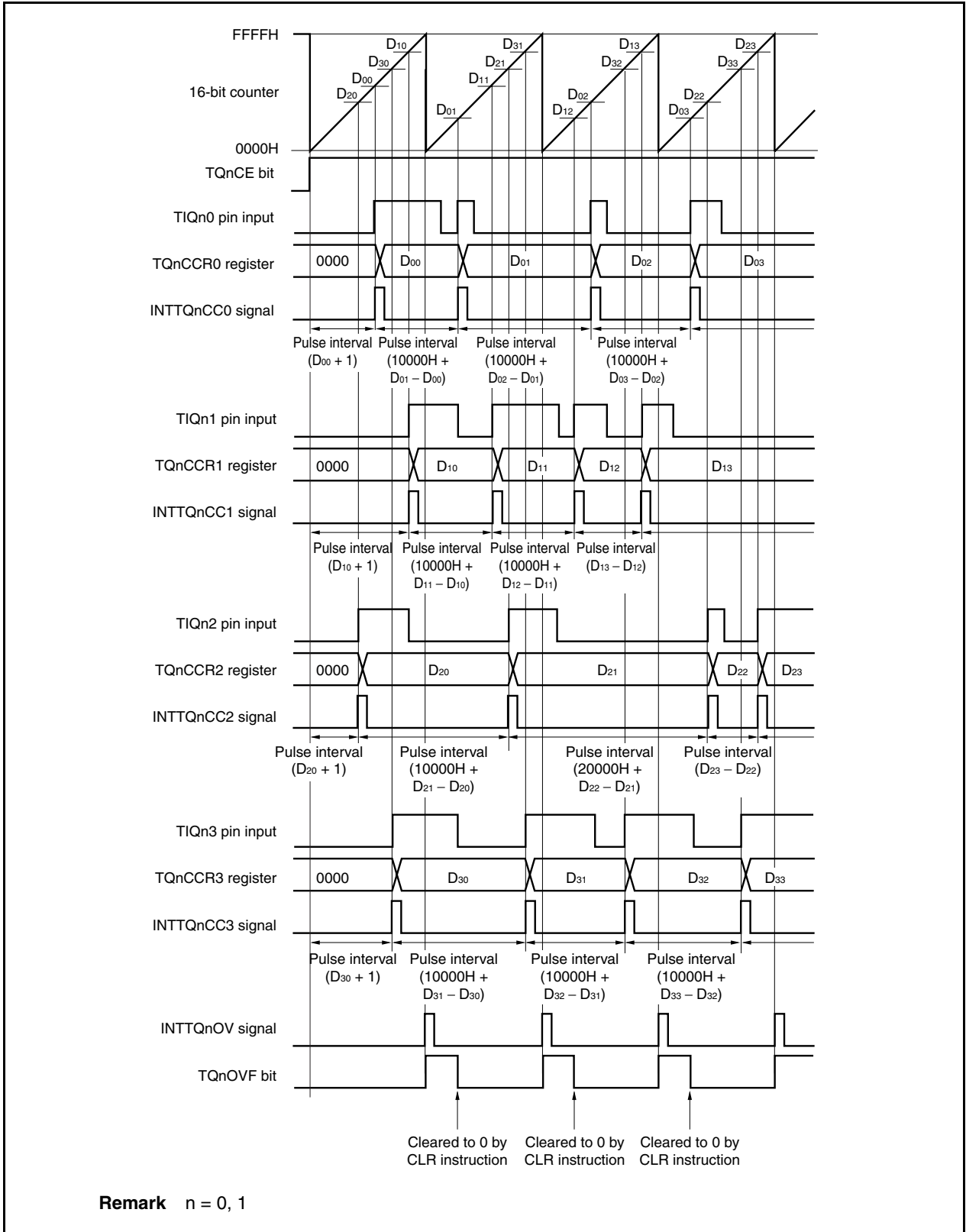
**Remark** m = 0 to 3

n = 0, 1



**(b) Pulse width measurement with capture register**

When pulse width measurement is performed with the TQnCCRm register used as a capture register, software processing is necessary for reading the capture register each time the INTTQnCCm signal has been detected and for calculating an interval.



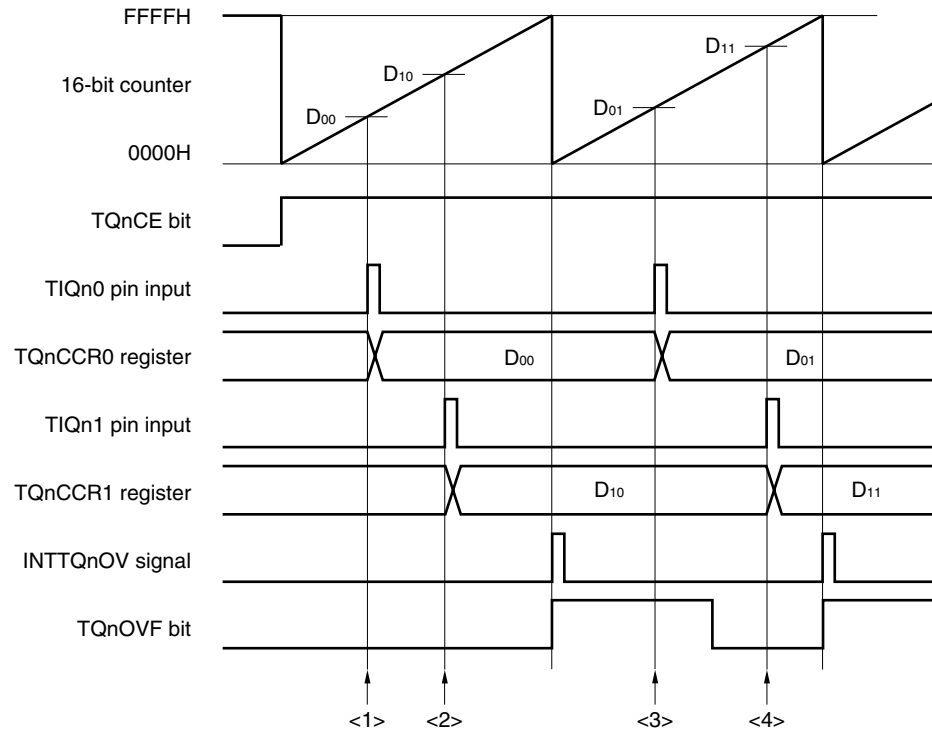
When executing pulse width measurement in the free-running timer mode, four pulse widths can be measured with one channel.

To measure a pulse width, the pulse width can be calculated by reading the value of the TQnCCRM register in synchronization with the INTTQnCCm signal, and calculating the difference between the read value and the previously read value.

**Remark** m = 0 to 3  
n = 0, 1

**(c) Processing of overflow when two or more capture registers are used**

Care must be exercised in processing the overflow flag when two capture registers are used. First, an example of incorrect processing is shown below.

**Example of incorrect processing when two or more capture registers are used**

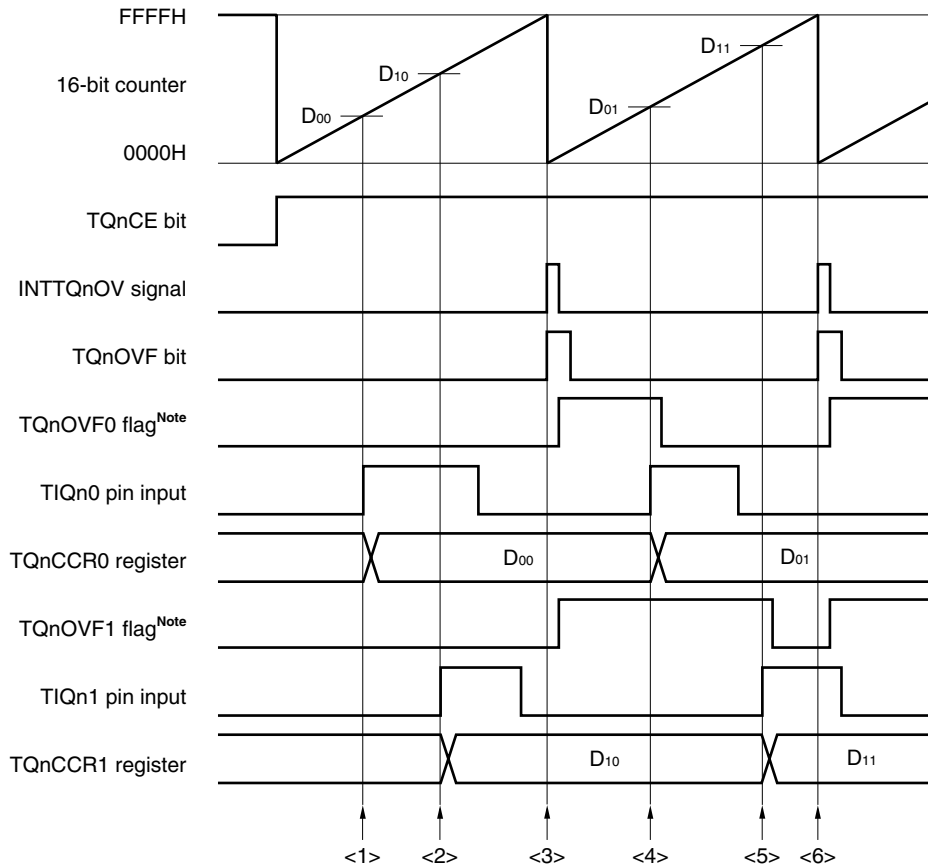
The following problem may occur when two pulse widths are measured in the free-running timer mode.

- <1> Read the TQnCCR0 register (setting of the default value of the TIQn0 pin input).
- <2> Read the TQnCCR1 register (setting of the default value of the TIQn1 pin input).
- <3> Read the TQnCCR0 register.  
Read the overflow flag. If the overflow flag is 1, clear it to 0.  
Because the overflow flag is 1, the pulse width can be calculated by  $(10000H + D_{01} - D_{00})$ .
- <4> Read the TQnCCR1 register.  
Read the overflow flag. Because the flag is cleared in <3>, 0 is read.  
Because the overflow flag is 0, the pulse width can be calculated by  $(D_{11} - D_{10})$  (incorrect).

**Remark**  $n = 0, 1$

When two capture registers are used, and if the overflow flag is cleared to 0 by one capture register, the other capture register may not obtain the correct pulse width.

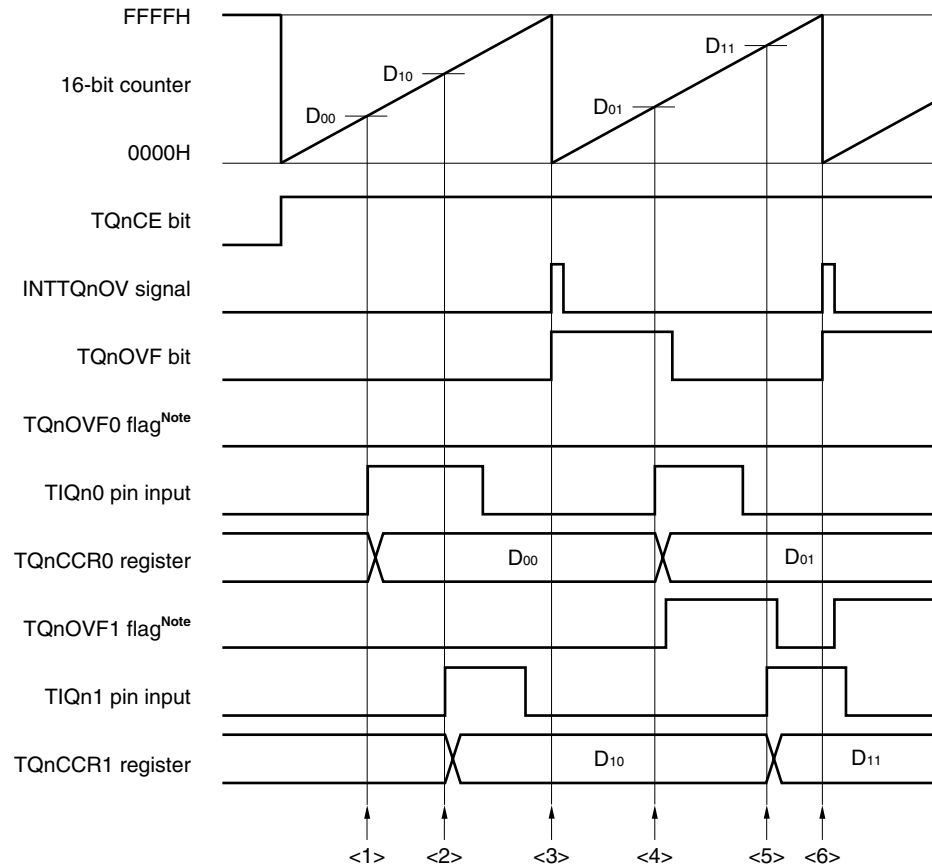
Use software when using two capture registers. An example of how to use software is shown below.

**Example when two capture registers are used (using overflow interrupt)**

**Note** The TQnOVF0 and TQnOVF1 flags are set on the internal RAM by software.

- <1> Read the TQnCCR0 register (setting of the default value of the TIQn0 pin input).
- <2> Read the TQnCCR1 register (setting of the default value of the TIQn1 pin input).
- <3> An overflow occurs. Set the TQnOVF0 and TQnOVF1 flags to 1 in the overflow interrupt servicing, and clear the overflow flag to 0.
- <4> Read the TQnCCR0 register.  
Read the TQnOVF0 flag. If the TQnOVF0 flag is 1, clear it to 0.  
Because the TQnOVF0 flag is 1, the pulse width can be calculated by  $(10000H + D_{01} - D_{00})$ .
- <5> Read the TQnCCR1 register.  
Read the TQnOVF1 flag. If the TQnOVF1 flag is 1, clear it to 0 (the TQnOVF0 flag is cleared in <4>, and the TQnOVF1 flag remains 1).  
Because the TQnOVF1 flag is 1, the pulse width can be calculated by  $(10000H + D_{11} - D_{10})$  (correct).
- <6> Same as <3>

**Remark**  $n = 0, 1$

**Example when two capture registers are used (without using overflow interrupt)**

**Note** The TQnOVF0 and TQnOVF1 flags are set on the internal RAM by software.

<1> Read the TQnCCR0 register (setting of the default value of the TIQn0 pin input).

<2> Read the TQnCCR1 register (setting of the default value of the TIQn1 pin input).

<3> An overflow occurs. Nothing is done by software.

<4> Read the TQnCCR0 register.

Read the overflow flag. If the overflow flag is 1, set only the TQnOVF1 flag to 1, and clear the overflow flag to 0.

Because the overflow flag is 1, the pulse width can be calculated by  $(10000H + D_{01} - D_{00})$ .

<5> Read the TQnCCR1 register.

Read the overflow flag. Because the overflow flag is cleared in <4>, 0 is read.

Read the TQnOVF1 flag. If the TQnOVF1 flag is 1, clear it to 0.

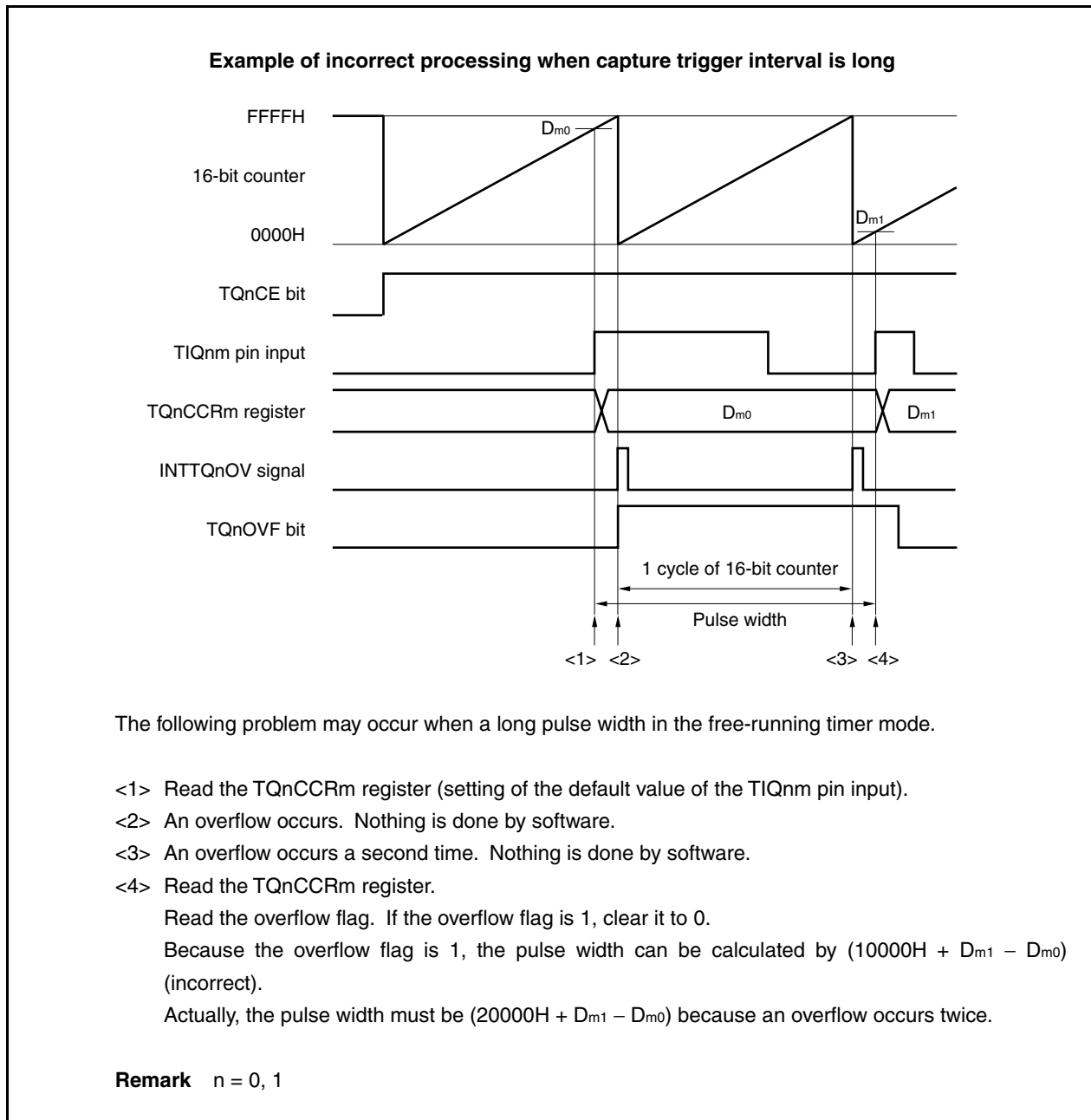
Because the TQnOVF1 flag is 1, the pulse width can be calculated by  $(10000H + D_{11} - D_{10})$  (correct).

<6> Same as <3>

**Remark**  $n = 0, 1$

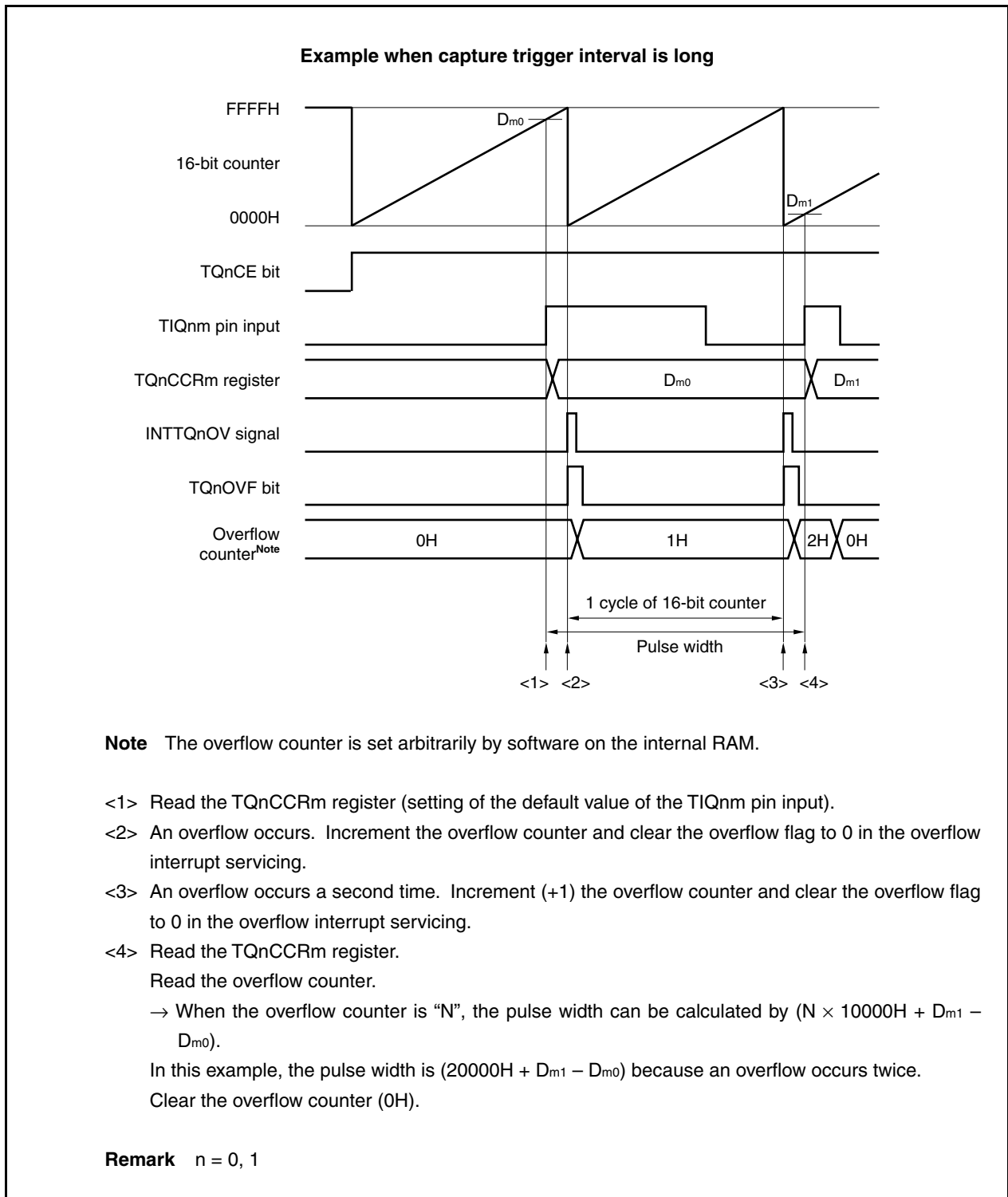
**(d) Processing of overflow if capture trigger interval is long**

If the pulse width is greater than one cycle of the 16-bit counter, care must be exercised because an overflow may occur more than once from the first capture trigger to the next. First, an example of incorrect processing is shown below.



If an overflow occurs twice or more when the capture trigger interval is long, the correct pulse width may not be obtained.

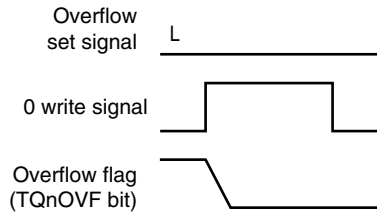
If the capture trigger interval is long, slow the count clock to lengthen one cycle of the 16-bit counter, or use software. An example of how to use software is shown next.



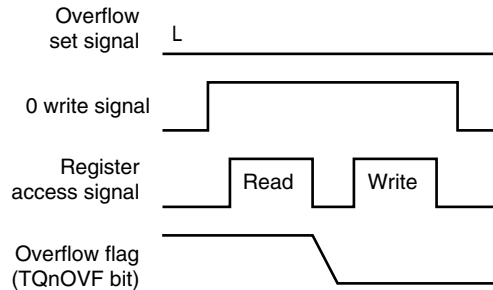
**(e) Clearing overflow flag**

The overflow flag can be cleared to 0 by clearing the TQnOVF bit to 0 with the CLR instruction and by writing 8-bit data (bit 0 is 0) to the TQnOPT0 register. To accurately detect an overflow, read the TQnOVF bit when it is 1, and then clear the overflow flag by using a bit manipulation instruction.

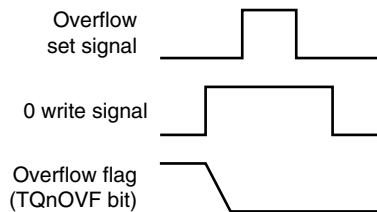
(i) Operation to write 0 (without conflict with setting)



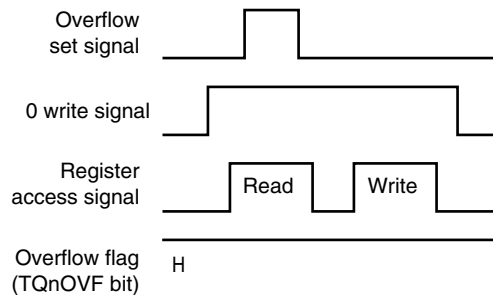
(iii) Operation to clear to 0 (without conflict with setting)



(ii) Operation to write 0 (conflict with setting)



(iv) Operation to clear to 0 (conflict with setting)



**Remark** n = 0, 1

To clear the overflow flag to 0, read the overflow flag to check if it is set to 1, and clear it with the CLR instruction. If 0 is written to the overflow flag without checking if the flag is 1, the set information of overflow may be erased by writing 0 ((ii) in the above chart). Therefore, software may judge that no overflow has occurred even when an overflow actually has occurred.

If execution of the CLR instruction conflicts with occurrence of an overflow when the overflow flag is cleared to 0 with the CLR instruction, the overflow flag remains set even after execution of the clear instruction.



### 7.5.7 Pulse width measurement mode (TQnMD2 to TQnMD0 bits = 110)

In the pulse width measurement mode, 16-bit timer/event counter Q starts counting when the TQnCTL0.TQnCE bit is set to 1. Each time the valid edge input to the TIQnm pin has been detected, the count value of the 16-bit counter is stored in the TQnCCRm register, and the 16-bit counter is cleared to 0000H.

The interval of the valid edge can be measured by reading the TQnCCRm register after a capture interrupt request signal (INTTQnCCm) occurs.

Select either of the TIQn0 to TIQn3 pins as the capture trigger input pin. Specify “No edge detected” by using the TQnIOC1 register for the unused pins.

When an external clock is used as the count clock, measure the pulse width of the TIQnk pin because the external clock is fixed to the TIQn0 pin. At this time, clear the TQnIOC1.TQnIS1 and TQnIOC1.TQnIS0 bits to 00 (capture trigger input (TIQn0 pin): No edge detected).

**Remark** m = 0 to 3  
n = 0, 1  
k = 1 to 3

**Figure 7-34. Configuration in Pulse Width Measurement Mode**

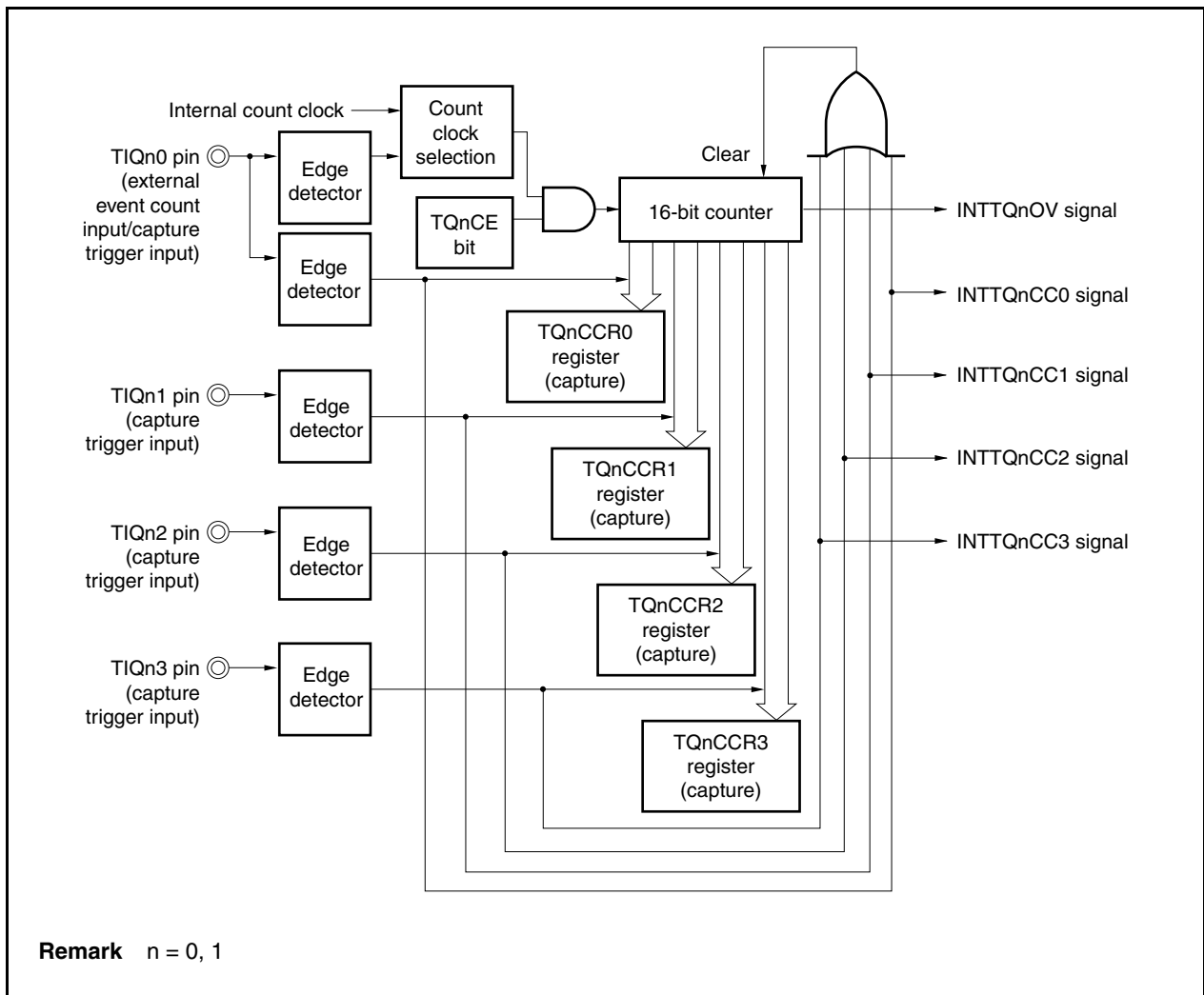
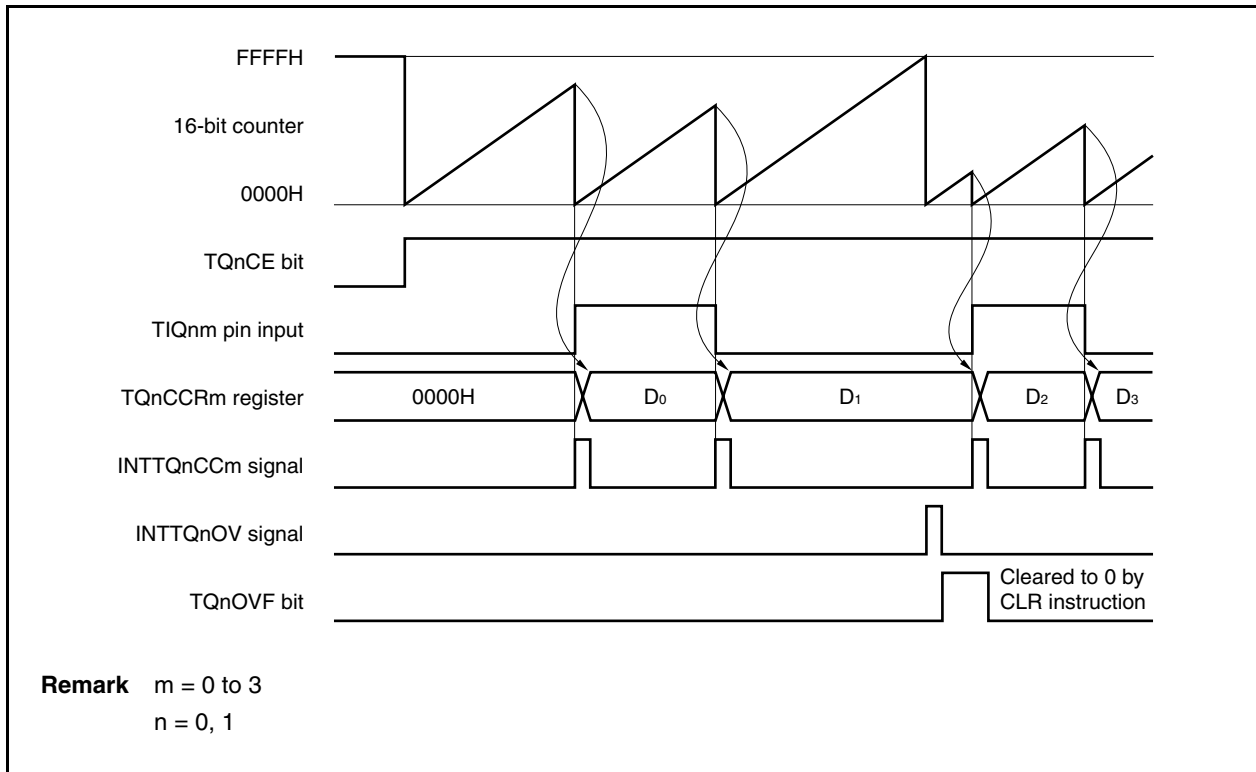


Figure 7-35. Basic Timing in Pulse Width Measurement Mode



When the TQnCE bit is set to 1, the 16-bit counter starts counting. When the valid edge input to the TIQnm pin is later detected, the count value of the 16-bit counter is stored in the TQnCCRm register, the 16-bit counter is cleared to 0000H, and a capture interrupt request signal (INTTQnCCm) is generated.

The pulse width is calculated as follows.

$$\text{Pulse width} = \text{Captured value} \times \text{Count clock cycle}$$

If the valid edge is not input to the TIQnm pin even when the 16-bit counter counted up to FFFFH, an overflow interrupt request signal (INTTQnOV) is generated at the next count clock, and the counter is cleared to 0000H and continues counting. At this time, the overflow flag (TQnOPT0.TQnOVF bit) is also set to 1. Clear the overflow flag to 0 by executing the CLR instruction via software.

If the overflow flag is set to 1, the pulse width can be calculated as follows.

$$\text{Pulse width} = (10000H \times \text{TQnOVF bit set (1) count} + \text{Captured value}) \times \text{Count clock cycle}$$

**Remark** m = 0 to 3,  
n = 0, 1

Figure 7-36. Register Setting in Pulse Width Measurement Mode (1/2)

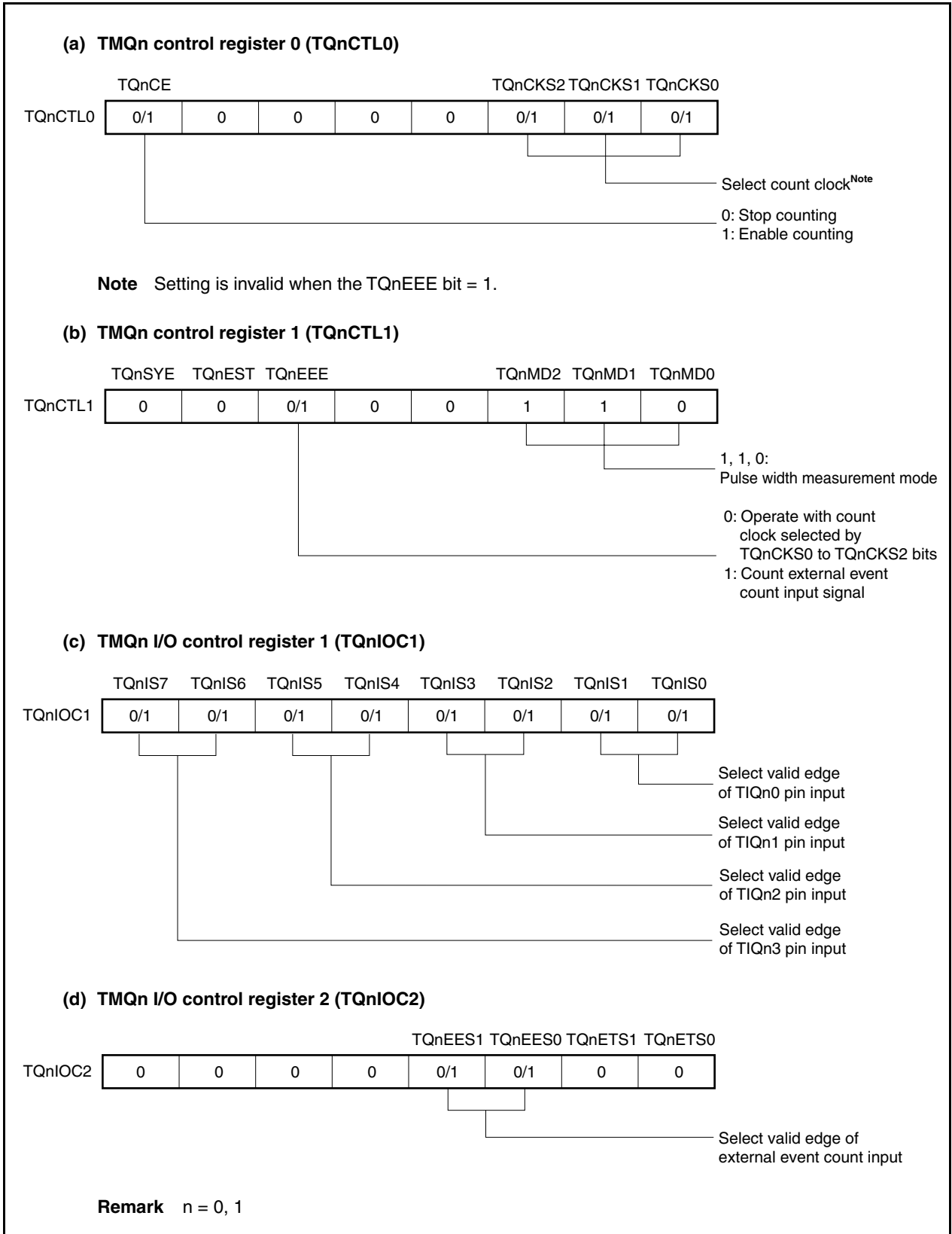
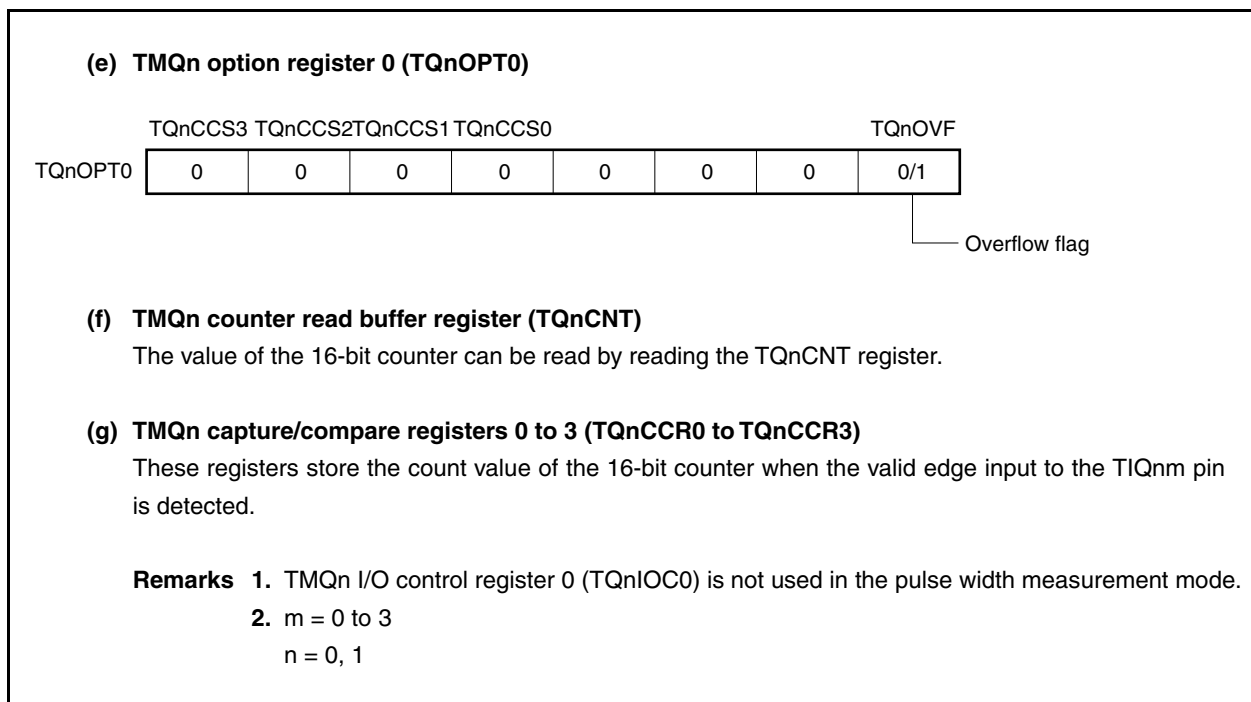
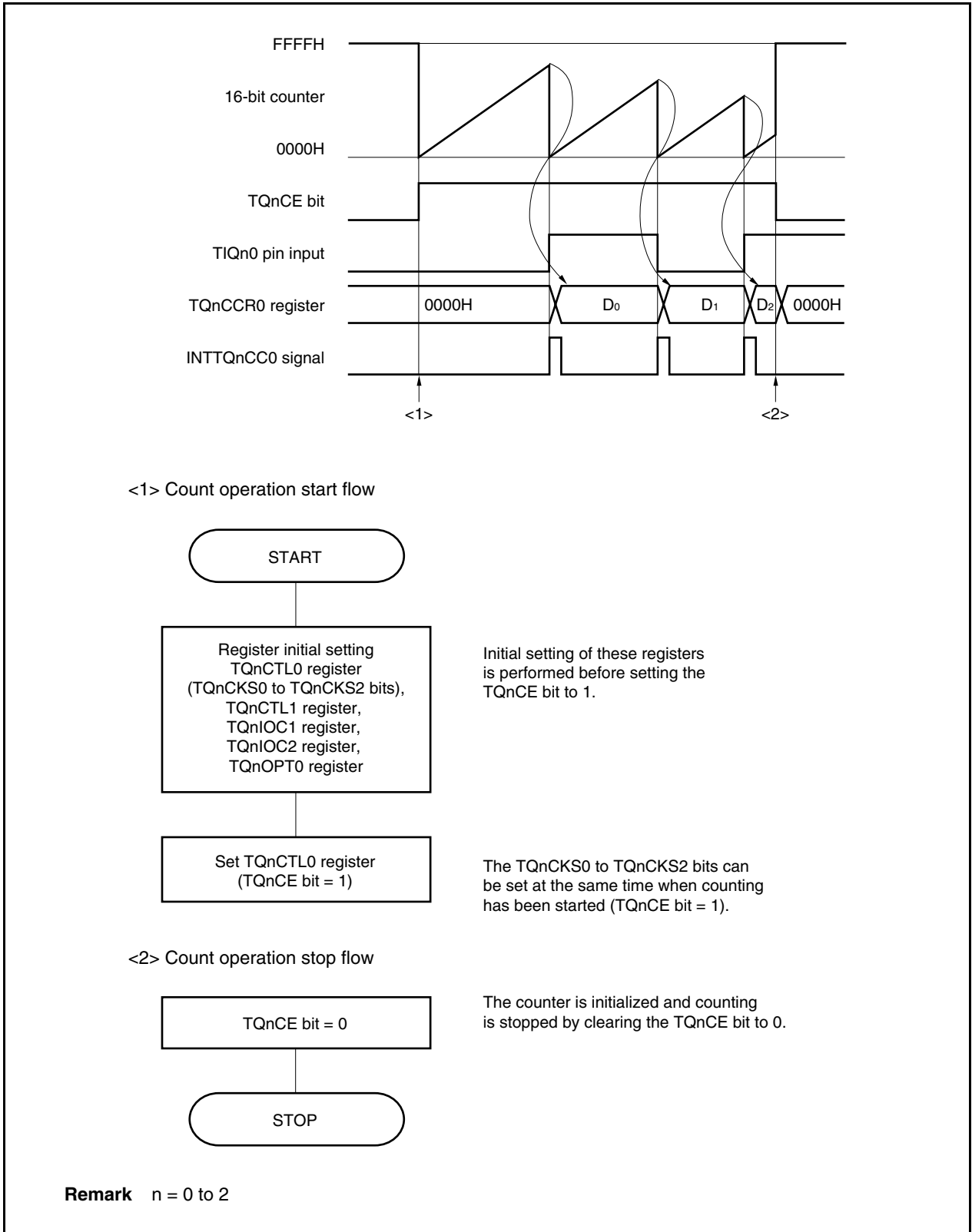


Figure 7-36. Register Setting in Pulse Width Measurement Mode (2/2)



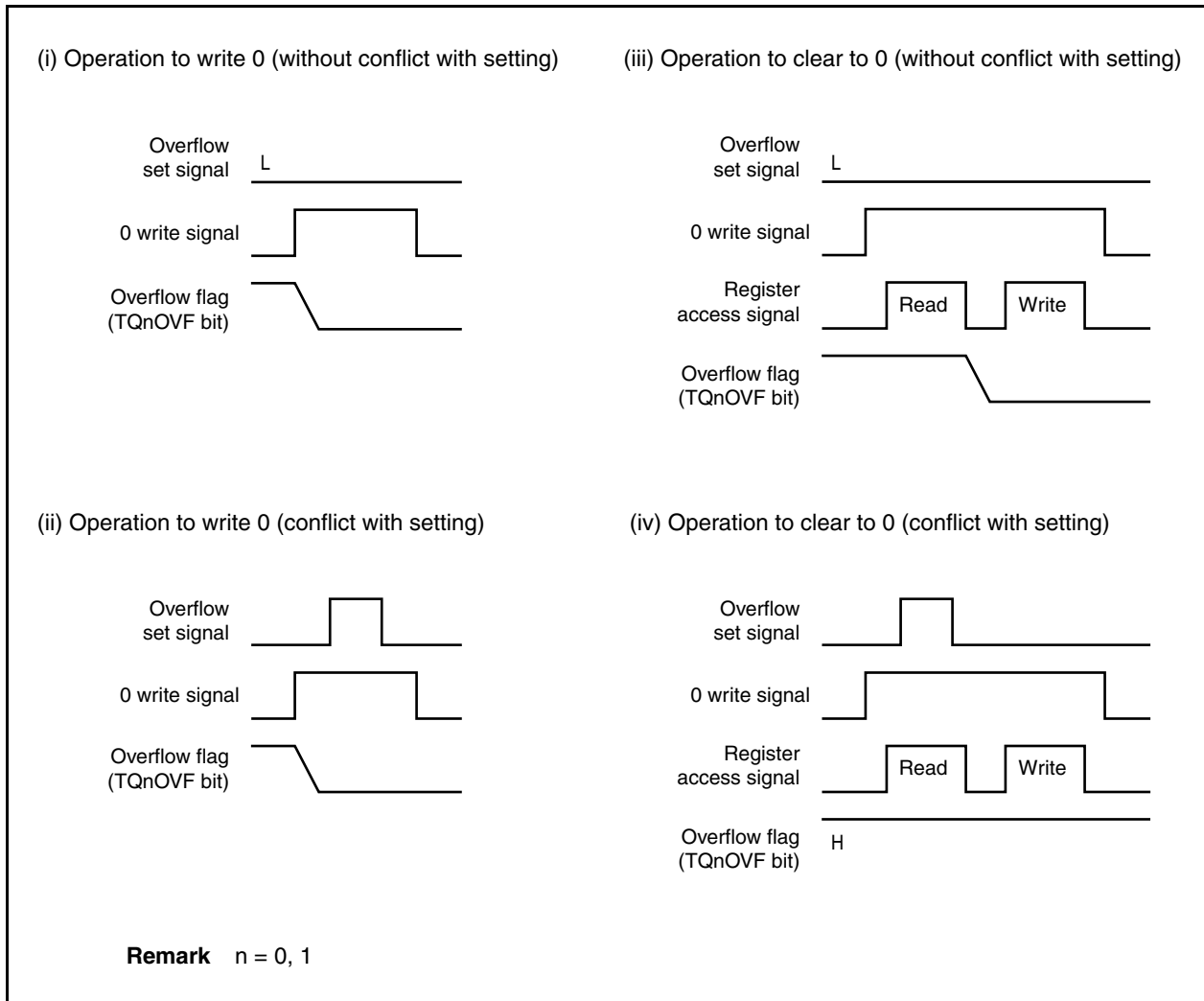
(1) Operation flow in pulse width measurement mode

Figure 7-37. Software Processing Flow in Pulse Width Measurement Mode



**(2) Operation timing in pulse width measurement mode****(a) Clearing overflow flag**

The overflow flag can be cleared to 0 by clearing the TQnOVF bit to 0 with the CLR instruction and by writing 8-bit data (bit 0 is 0) to the TQnOPT0 register. To accurately detect an overflow, read the TQnOVF bit when it is 1, and then clear the overflow flag by using a bit manipulation instruction.



To clear the overflow flag to 0, read the overflow flag to check if it is set to 1, and clear it with the CLR instruction. If 0 is written to the overflow flag without checking if the flag is 1, the set information of overflow may be erased by writing 0 ((ii) in the above chart). Therefore, software may judge that no overflow has occurred even when an overflow actually has occurred.

If execution of the CLR instruction conflicts with occurrence of an overflow when the overflow flag is cleared to 0 with the CLR instruction, the overflow flag remains set even after execution of the clear instruction.

**7.5.8 Triangular wave PWM mode (TQnMD2 to TQnMD0 = 111)**

In the triangular wave PWM mode, TMQn capture/compare register k (TQnCCRk) is used to set the duty factor, and TMQn capture/compare register 0 (TQnCCR0) is used to set the cycle.

By using these four registers and operating the timer, triangular wave PWM with a variable cycle is output.

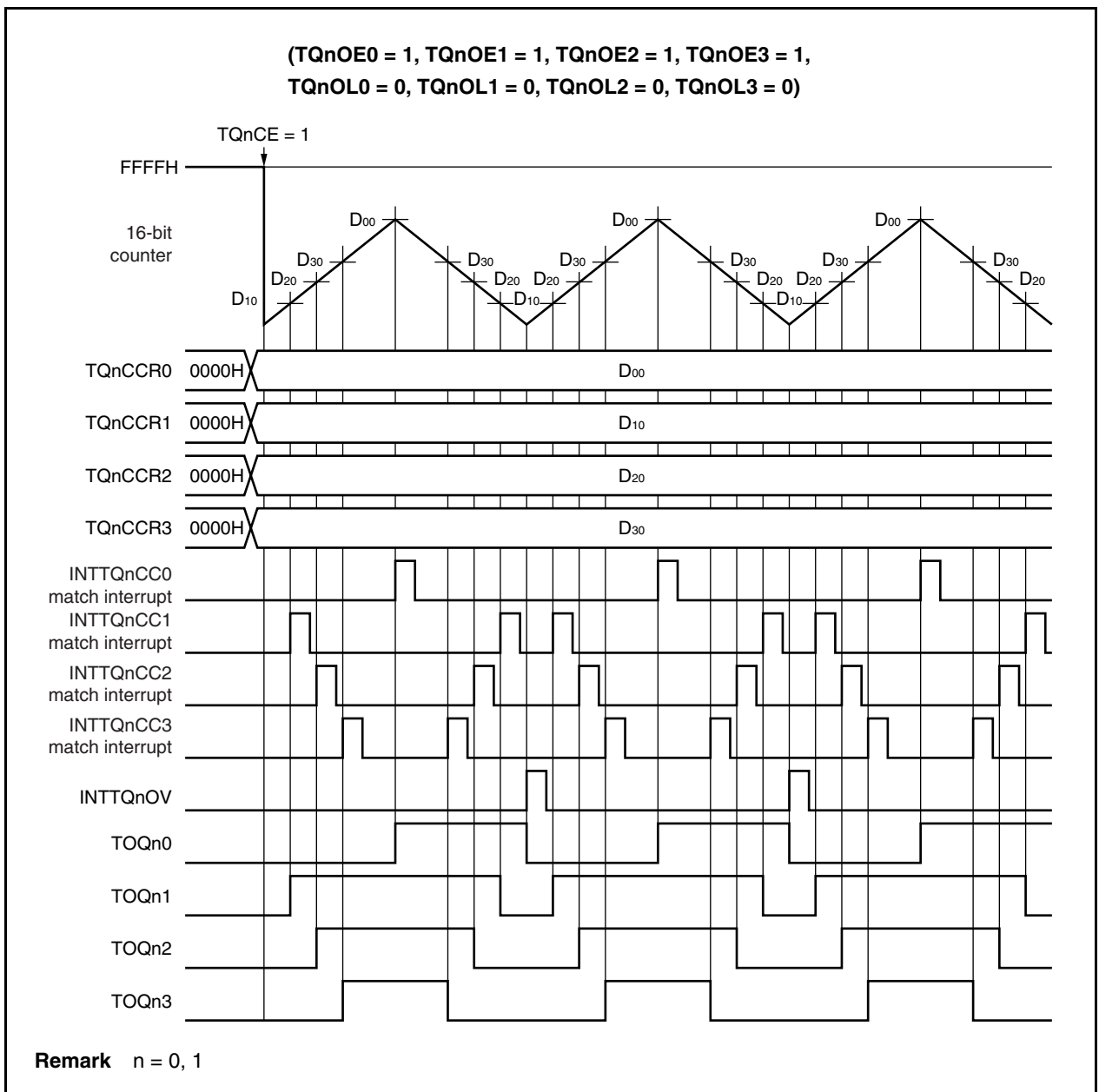
The value of the TQnCCRm register can be rewritten when TQnCE = 1.

To stop timer Q, clear TQnCE to 0. The waveform of PWM is output from the TOQnk pin. The TOQn0 pin produces a toggle output when the value of the 16-bit counter matches the value of the TQnCCR0 register and when the counter underflows.

**Caution** In the PWM mode, the capture function of the TQnCCRm register cannot be used because this register can be used only as a compare register.

**Remark** n = 0, 1, m = 0 to 3, k = 1 to 3

**Figure 7-38. Timing of Basic Operation in Triangular Wave PWM Mode**



### 7.5.9 Timer output operations

The following table shows the operations and output levels of the TOQn0 to TOQn3 pins.

**Table 7-6. Timer Output Control in Each Mode**

Operation Mode	TOQn0 Pin	TOQn1 Pin	TOQn2 Pin	TOQn3 Pin
Interval timer mode	Square wave output			
External event count mode	Square wave output	–		
External trigger pulse output mode	Square wave output	External trigger pulse output	External trigger pulse output	External trigger pulse output
One-shot pulse output mode		One-shot pulse output	One-shot pulse output	One-shot pulse output
PWM output mode		PWM output	PWM output	PWM output
Free-running timer mode	Square wave output (only when compare function is used)			
Pulse width measurement mode	–			
Triangular wave PWM output mode	Square wave output	Triangular PWM output	Triangular PWM output	Triangular PWM output

**Table 7-7. Truth Table of TOQn0 to TOQn3 Pins Under Control of Timer Output Control Bits**

TQnIOC0.TQnOLm Bit	TQnIOC0.TQnOEm Bit	TQnCTL0.TQnCE Bit	Level of TOQnm Pin
0	0	×	Low-level output
	1	0	Low-level output
		1	Low level immediately before counting, high level after counting is started
1	0	×	High-level output
	1	0	High-level output
		1	High level immediately before counting, low level after counting is started

**Remark** m = 0 to 3  
n = 0, 1



## 7.6 Timer Tuned Operation Function

Timer P and timer Q have a timer tuned operation function.

The timers that can be synchronized are listed in Table 7-8.

**Table 7-8. Tuned Operation Mode of Timers**

Master Timer	Slave Timer	
TMP0	TMP1	–
TMP2	TMP3	TMQ0

- Cautions**
- The tuned operation mode is enabled or disabled by the TPmCTL1.TPmSYE and TQ0CTL1.TQ0SYE bits. For TMQ2, either or both TMQ3 and TMQ0 can be specified as slaves.
  - Set the tuned operation mode using the following procedure.
    - <1> Set the TPmCTL1.TPmSYE and TQ0CTL1.TQ0SYE bits of the slave timer to enable the tuned operation.  
Set the TPmCTL1.TPmMD2 to TPmCTL1.TPmMD0 and TQ0CTL1.TQ0MD2 to TQ0CTL1.TQ0MD0 bits of the slave timer to the free-running mode.
    - <2> Set the timer mode by using the TPnCTL1.TPnMD2 to TPnCTL1.TPnMD0 bits.  
At this time, do not set the TPnCTL1.TPnSYE bit of the master timer.
    - <3> Set the compare register value of the master and slave timers.
    - <4> Set the TPmCTL0.TPmCE and TQ0CTL0.TQ0CE bits of the slave timer to enable operation on the internal operating clock.
    - <5> Set the TPnCTL0.TPnCE bit of the master timer to enable operation on the internal operating clock.

**Remark** m = 1, 3  
n = 0, 2

Tables 7-9 and 7-10 show the timer modes that can be used in the tuned operation mode (√: Settable, ×: Not settable).

**Table 7-9. Timer Modes Usable in Tuned Operation Mode**

Master Timer	Free-Running Mode	PWM Mode	Triangular Wave PWM Mode
TMP0	√	√	×
TMP2	√	√	×

Table 7-10. Timer Output Functions

Tuned Channel	Timer	Pin	Free-Running Mode		PWM Mode		Triangular Wave PWM Mode	
			Tuning OFF	Tuning ON	Tuning OFF	Tuning ON	Tuning OFF	Tuning ON
Ch0	TMP0 (master)	TOP00	PPG	←	Toggle	←	N/A	←
		TOP01	PPG	←	PWM	←	N/A	←
	TMP1 (slave)	TOP10	PPG	←	Toggle	PWM	N/A	←
		TOP11	PPG	←	PWM	←	N/A	←
Ch1	TMP2 (master)	TOP20	PPG	←	Toggle	←	N/A	←
		TOP21	PPG	←	PWM	←	N/A	←
	TMP3 (slave)	TOP30	PPG	←	Toggle	PWM	N/A	←
		TOP31	PPG	←	PWM	←	N/A	←
	TMQ0 (slave)	TOQ00	PPG	←	Toggle	PWM	Toggle	N/A
		TOQ01 to TOQ03	PPG	←	PWM	←	Triangular wave PWM	N/A

**Remark** The timing of transmitting data from the compare register of the master timer to the compare register of the slave timer is as follows.

PPG: CPU write timing

Toggle, PWM, triangular wave PWM: Timing at which timer counter and compare register match TOPn0 and TOQ00 (n = 0, 1)

Figure 7-39. Tuned Operation Image (TMP2, TMP3, TMQ0)

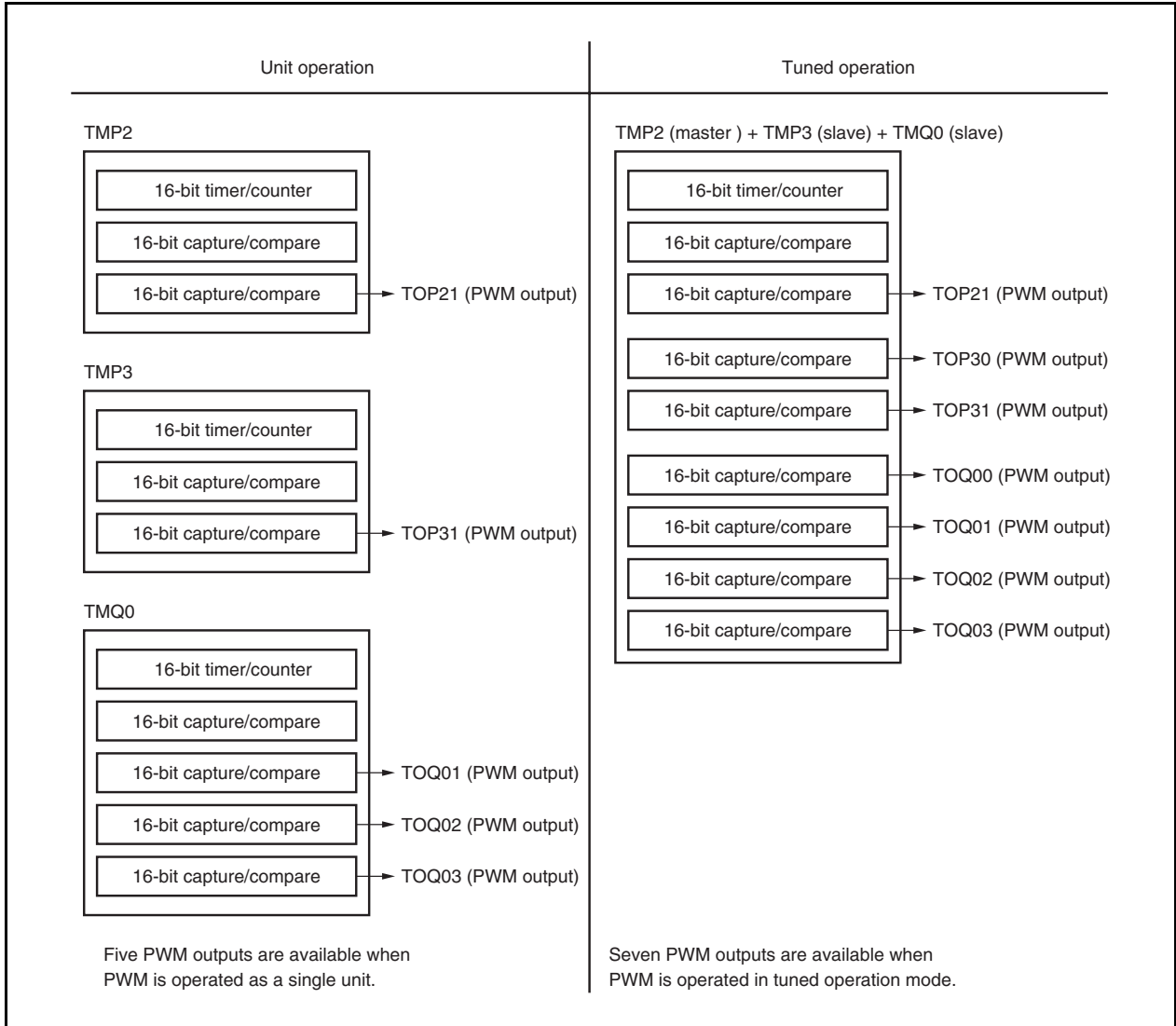
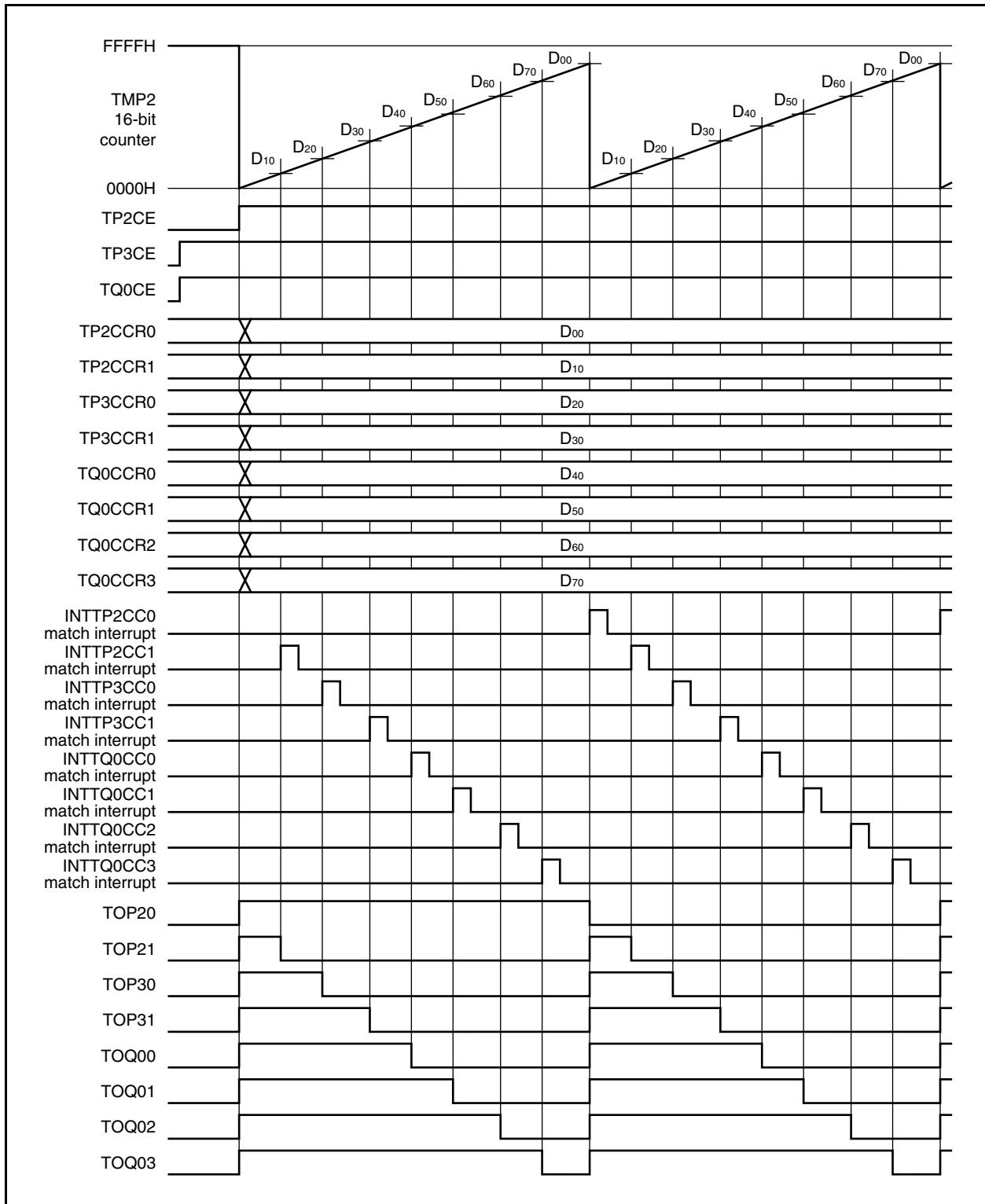


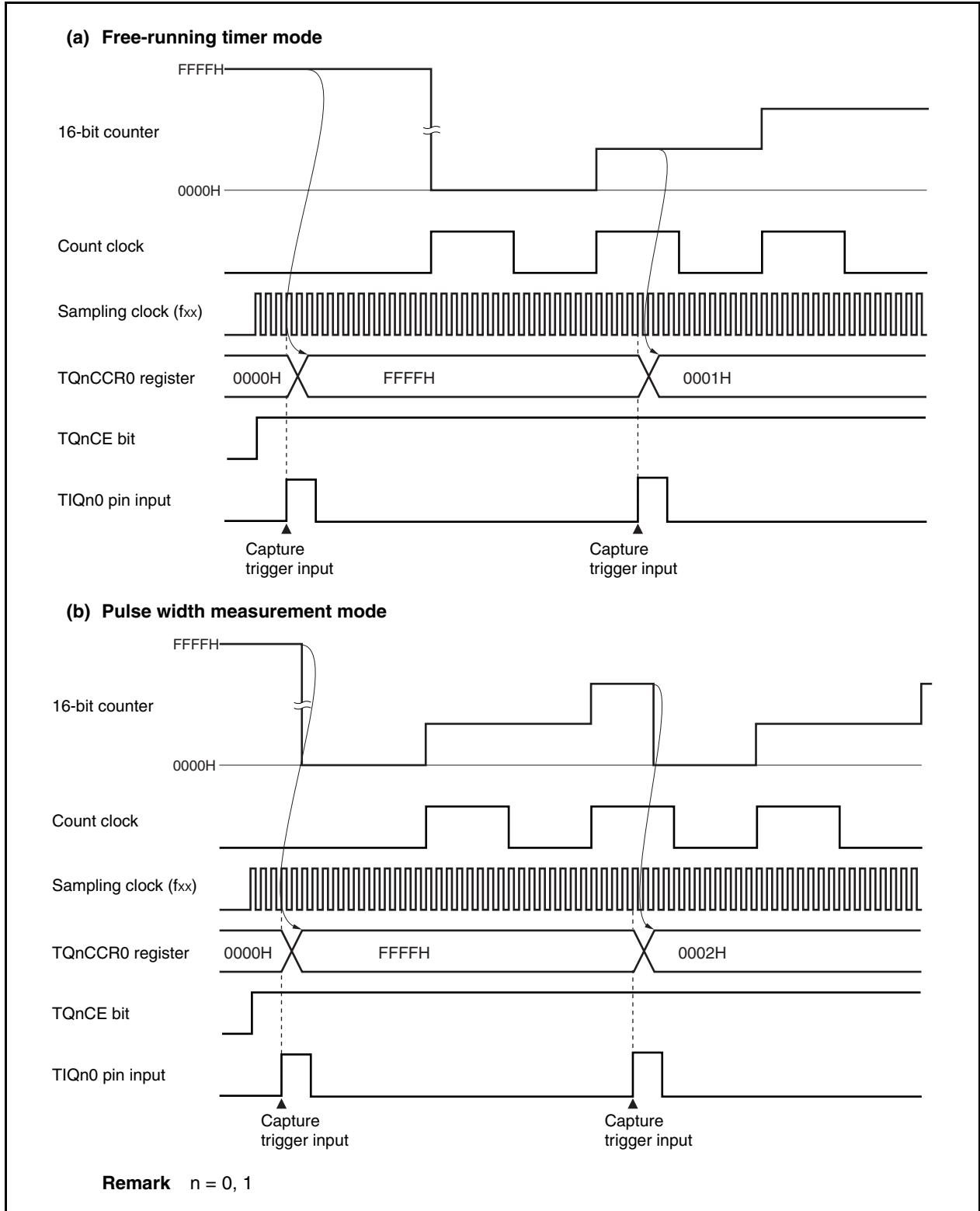
Figure 7-40. Basic Operation Timing of Tuned PWM Function (TMP2, TMP3, TMQ0)



7.7 Cautions

(1) Capture operation

When the capture operation is used and a slow clock is selected as the count clock, FFFFH, not 0000H, may be captured in the TQnCCR0, TQnCCR1, TQnCCR2, and TQnCCR3 registers if the capture trigger is input immediately after the TQnCE bit is set to 1.



## CHAPTER 8 16-BIT INTERVAL TIMER M (TMM)

### 8.1 Overview

- Interval function
- 8 clocks selectable
- 16-bit counter × 1  
(The 16-bit counter cannot be read during timer count operation.)
- Compare register × 1  
(The compare register cannot be written during timer counter operation.)
- Compare match interrupt × 1

Timer M supports only the clear & start mode. The free-running timer mode is not supported.

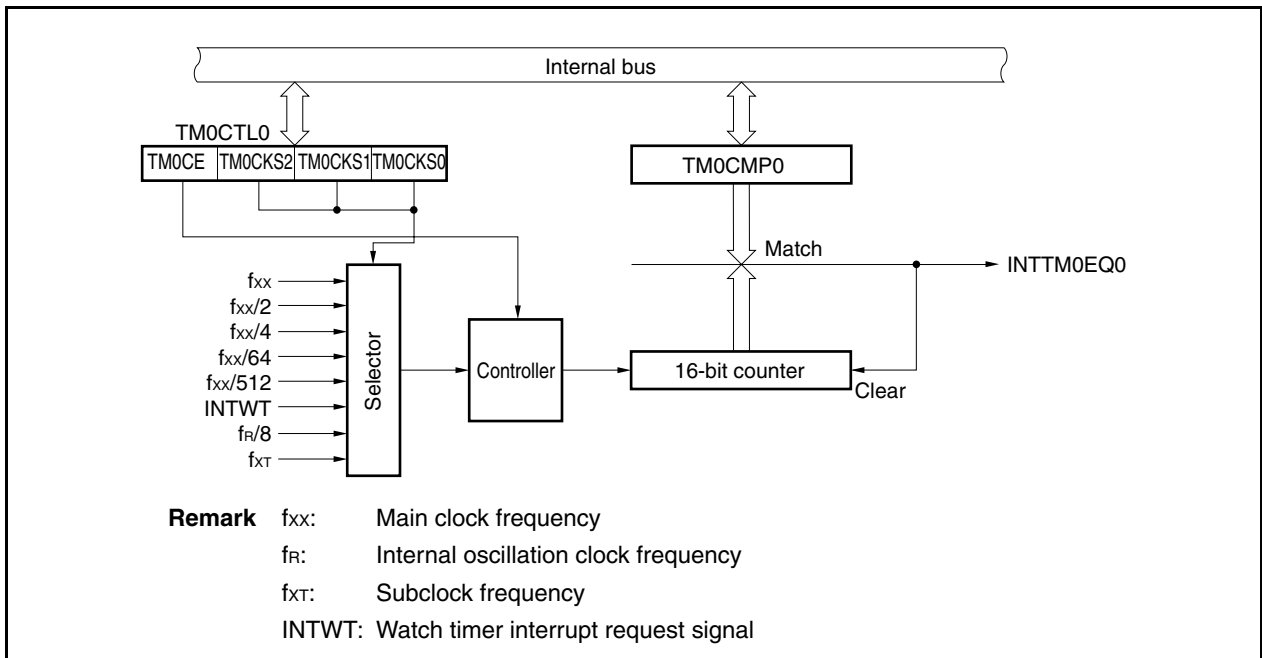
## 8.2 Configuration

TMM0 includes the following hardware.

**Table 8-1. Configuration of TMM0**

Item	Configuration
Timer register	16-bit counter
Register	TMM0 compare register 0 (TM0CMP0)
Control register	TMM0 control register 0 (TM0CTL0)

**Figure 8-1. Block Diagram of TMM0**

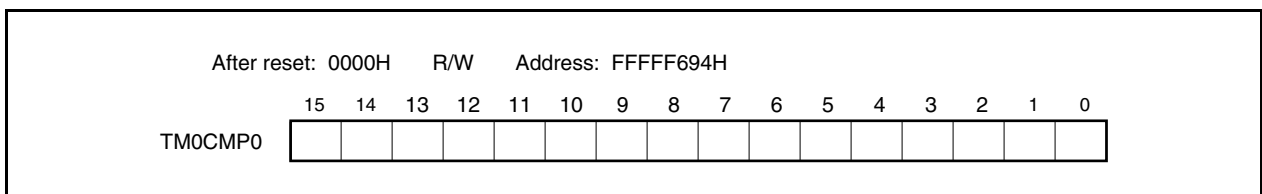


**(1) 16-bit counter**

This is a 16-bit counter that counts the internal clock.  
The 16-bit counter cannot be read or written.

**(2) TMM0 compare register 0 (TM0CMP0)**

The TM0CMP0 register is a 16-bit compare register.  
This register can be read or written in 16-bit units.  
Reset sets this register to 0000H.  
The same value can always be written to the TM0CMP0 register by software.  
TM0CMP0 register rewrite is prohibited when the TM0CTL0.TM0CE bit = 1.



### 8.3 Register

#### (1) TMM0 control register (TM0CTL0)

The TM0CTL0 register is an 8-bit register that controls the TMM0 operation.

This register can be read or written in 8-bit or 1-bit units.

Reset sets this register to 00H.

The same value can always be written to the TM0CTL0 register by software. Rewriting this register, except the TM0CE bit, is prohibited while the timer is operating.

After reset: 00H R/W Address: FFFFF690H

	7	6	5	4	3	2	1	0
TM0CTL0	TM0CE	0	0	0	0	TM0CKS2	TM0CKS1	TM0CKS0

TM0CE	Internal clock operation enable/disable specification
0	TMM0 operation disabled (16-bit counter reset asynchronously). Operation clock application stopped.
1	TMM0 operation enabled. Operation clock application started. TMM0 operation started.
The internal clock control and internal circuit reset for TMM0 are performed asynchronously with the TM0CE bit. When the TM0CE bit is cleared to 0, the internal clock of TMM0 is disabled (fixed to low level) and 16-bit counter is reset asynchronously.	

TM0CKS2	TM0CKS1	TM0CKS0	Count clock selection
0	0	0	$f_{xx}$
0	0	1	$f_{xx}/2$
0	1	0	$f_{xx}/4$
0	1	1	$f_{xx}/64$
1	0	0	$f_{xx}/512$
1	0	1	INTWT
1	1	0	$f_R/8$
1	1	1	$f_{XT}$

- Cautions**
1. Set the TM0CKS2 to TM0CKS0 bits when TM0CE bit = 0.  
When changing the value of TM0CE from 0 to 1, it is not possible to set the value of the TM0CKS2 to TM0CKS0 bits simultaneously.
  2. Be sure to clear bits 3 to 6 to "0".

**Remark**

$f_{xx}$ : Main clock frequency  
 $f_R$ : Internal oscillation clock frequency  
 $f_{XT}$ : Subclock frequency



## 8.4 Operation

**Caution** Do not set the TM0CMP0 register to FFFFH.

### 8.4.1 Interval timer mode

In the interval timer mode, an interrupt request signal (INTTM0EQ0) is generated at the specified interval if the TM0CTL0.TM0CE bit is set to 1.

Figure 8-2. Configuration of Interval Timer

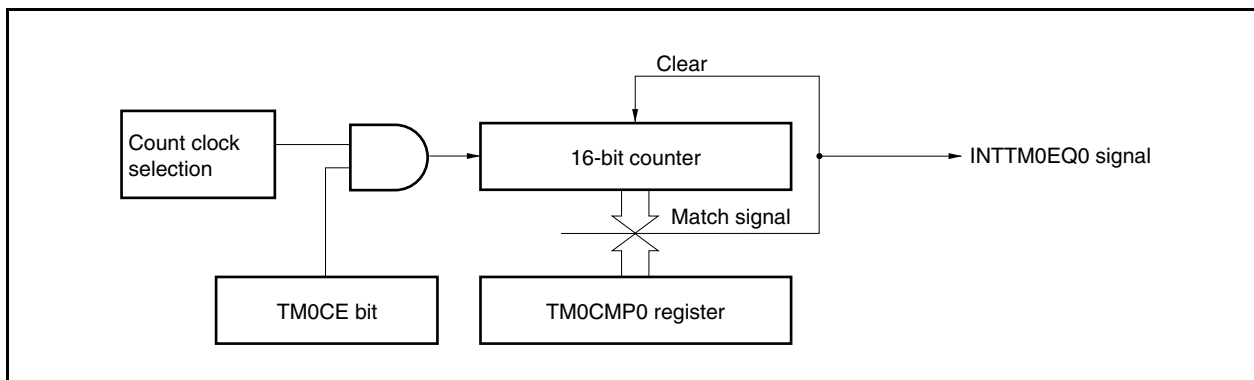
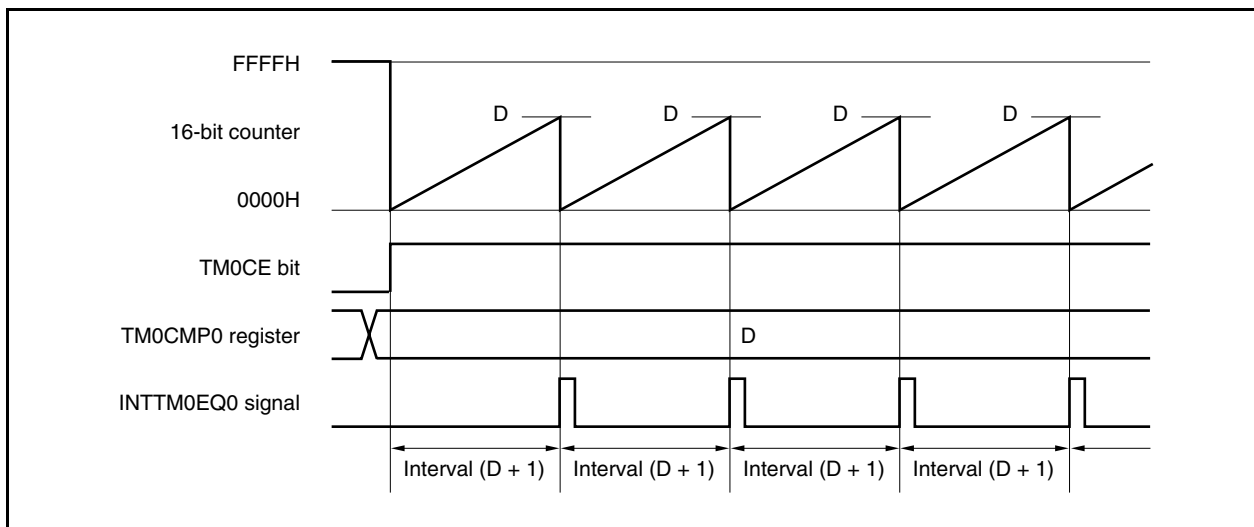


Figure 8-3. Basic Timing of Operation in Interval Timer Mode



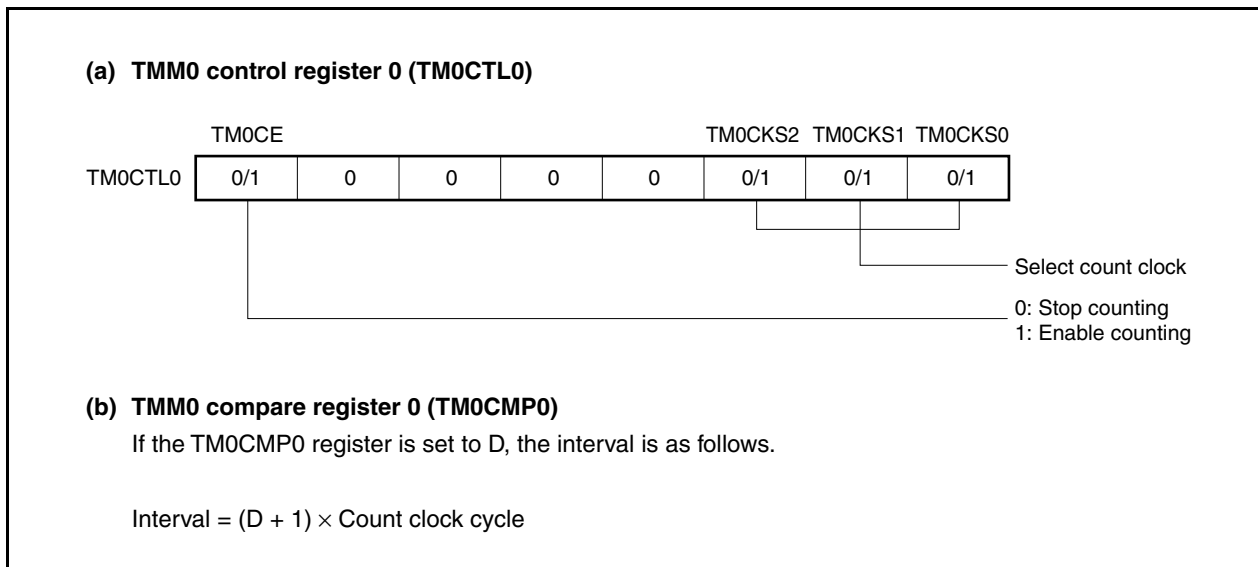
When the TM0CE bit is set to 1, the value of the 16-bit counter is cleared from FFFFH to 0000H in synchronization with the count clock, and the counter starts counting.

When the count value of the 16-bit counter matches the value of the TM0CMP0 register, the 16-bit counter is cleared to 0000H and a compare match interrupt request signal (INTTM0EQ0) is generated.

The interval can be calculated by the following expression.

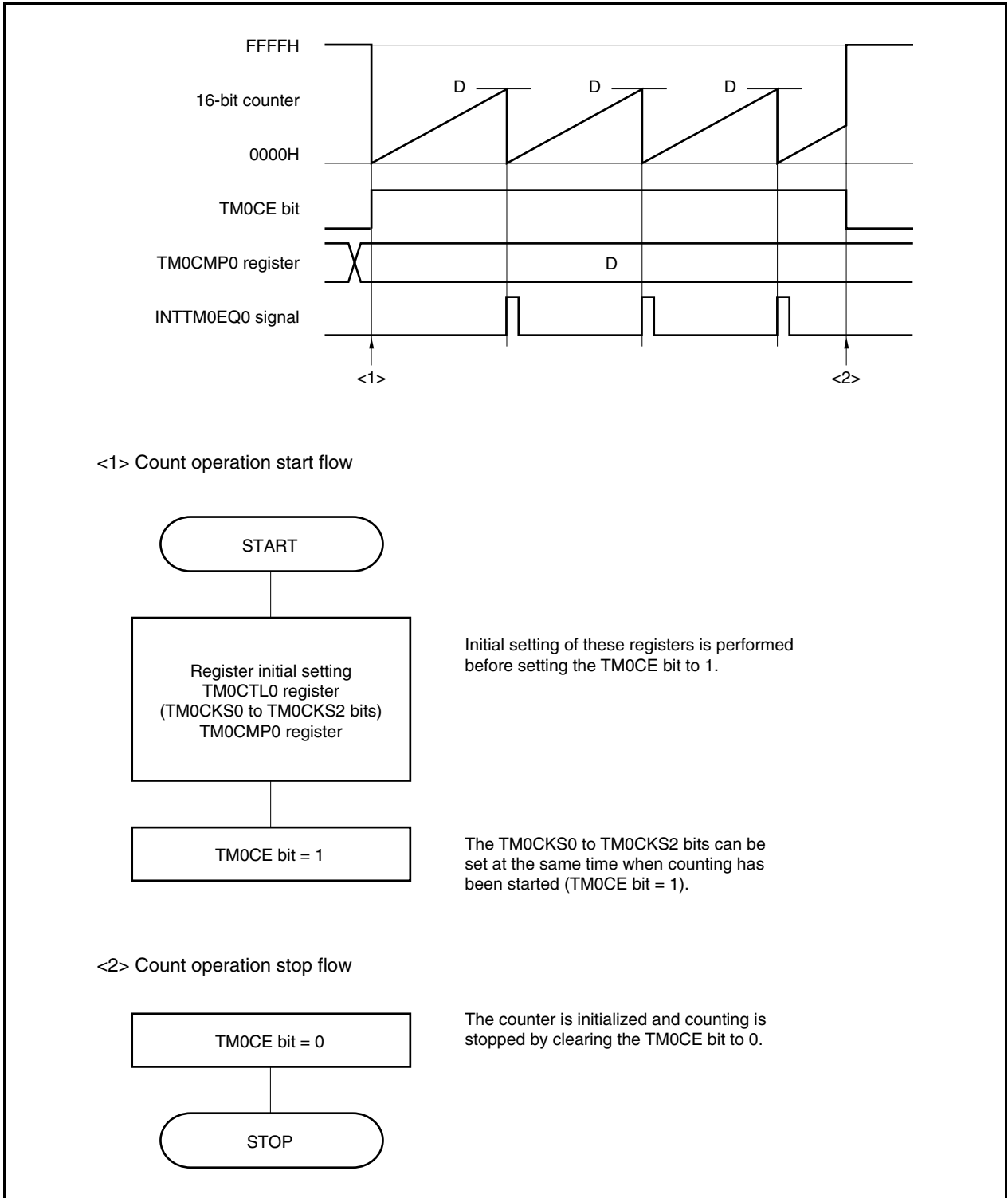
$$\text{Interval} = (\text{Set value of TM0CMP0 register} + 1) \times \text{Count clock cycle}$$

Figure 8-4. Register Setting for Interval Timer Mode Operation



(1) Interval timer mode operation flow

Figure 8-5. Software Processing Flow in Interval Timer Mode

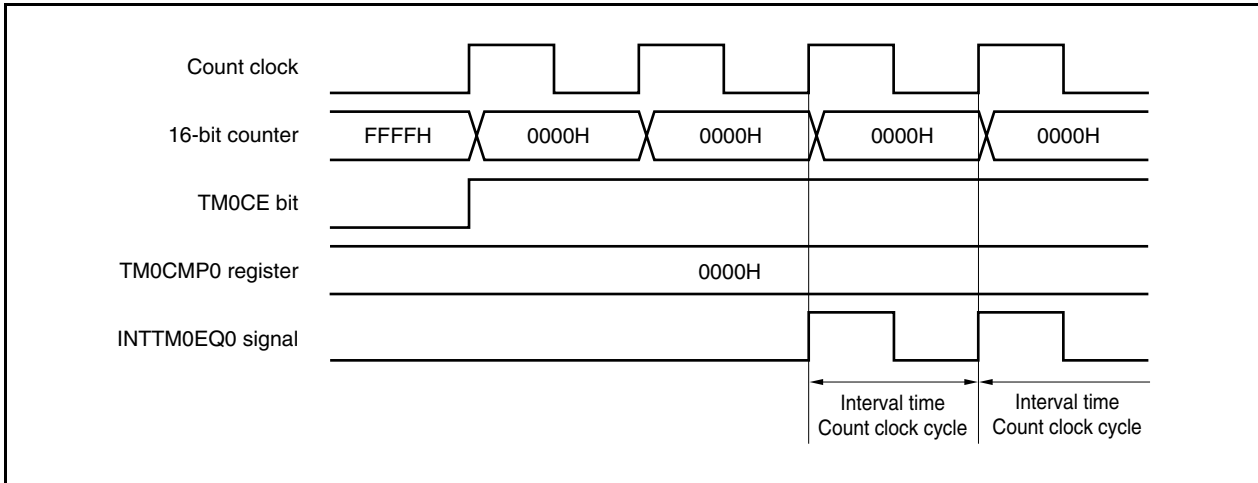


(2) Interval timer mode operation timing

**Caution** Do not set the TM0CMP0 register to FFFFH.

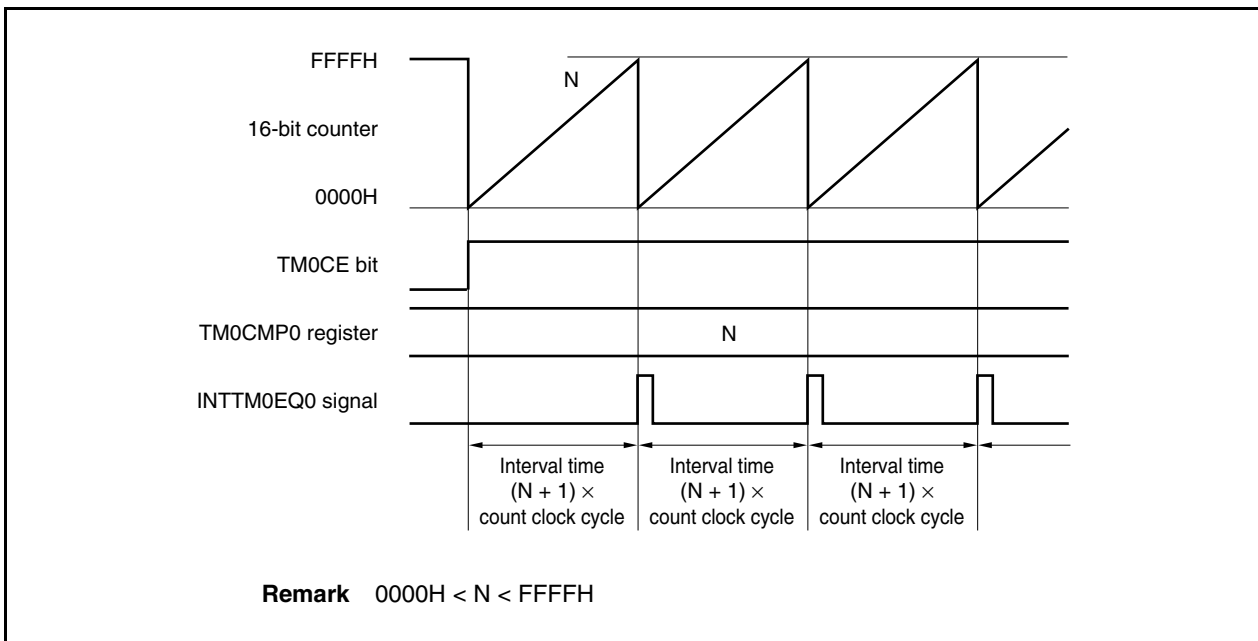
(a) Operation if TM0CMP0 register is set to 0000H

If the TM0CMP0 register is set to 0000H, the INTTM0EQ0 signal is generated at each count clock. The value of the 16-bit counter is always 0000H.



(b) Operation if TM0CMP0 register is set to N

If the TM0CMP0 register is set to N, the 16-bit counter counts up to N. The counter is cleared to 0000H in synchronization with the next count-up timing and the INTTM0EQ0 signal is generated.



**8.4.2 Cautions**

- (1) It takes the 16-bit counter up to the following time to start counting after the TMOCTL0.TMOCE bit is set to 1, depending on the count clock selected.

Selected Count Clock	Maximum Time Before Counting Start
$f_{xx}$	$2/f_{xx}$
$f_{xx}/2$	$6/f_{xx}$
$f_{xx}/4$	$24/f_{xx}$
$f_{xx}/64$	$128/f_{xx}$
$f_{xx}/512$	$1024/f_{xx}$
INTWT	Second rising edge of INTWT signal
$f_R/8$	$16/f_R$
$f_{XT}$	$2/f_{XT}$

- (2) Rewriting the TMOCMP0 and TMOCTL0 registers is prohibited while TMM0 is operating. If these registers are rewritten while the TMOCE bit is 1, the operation cannot be guaranteed. If they are rewritten by mistake, clear the TMOCTL0.TMOCE bit to 0, and re-set the registers.

## CHAPTER 9 WATCH TIMER FUNCTIONS

### 9.1 Functions

The watch timer has the following functions.

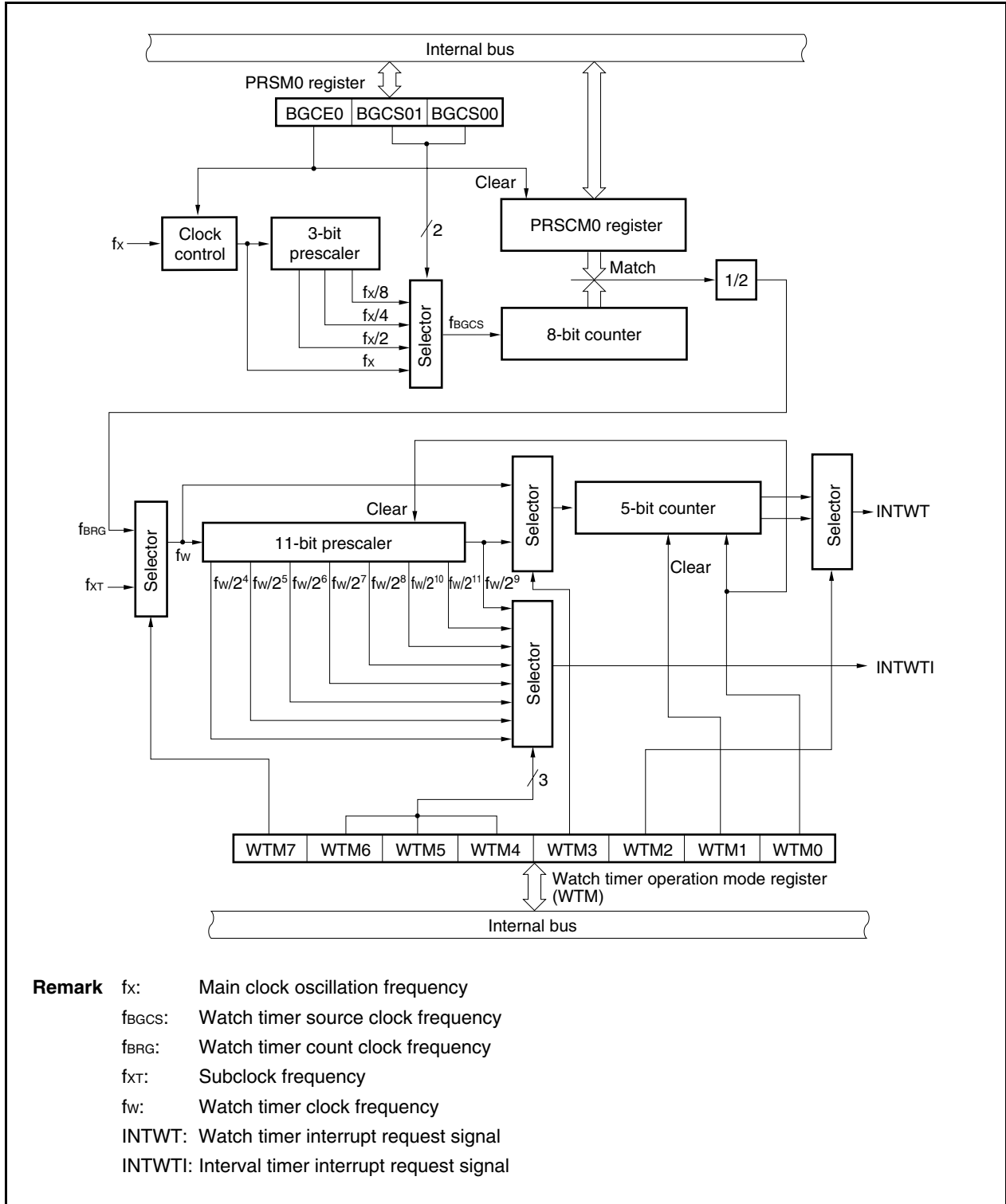
- Watch timer: An interrupt request signal (INTWT) is generated at intervals of 0.5 or 0.25 seconds by using the main clock or subclock.
- Interval timer: An interrupt request signal (INTWTI) is generated at set intervals.

The watch timer and interval timer functions can be used at the same time.

## 9.2 Configuration

The block diagram of the watch timer is shown below.

Figure 9-1. Block Diagram of Watch Timer



**(1) Clock control**

This block controls supplying and stopping the operating clock ( $f_x$ ) when the watch timer operates on the main clock.

**(2) 3-bit prescaler**

This prescaler divides  $f_x$  to generate  $f_x/2$ ,  $f_x/4$ , or  $f_x/8$ .

**(3) 8-bit counter**

This 8-bit counter counts the source clock ( $f_{BGS}$ ).

**(4) 11-bit prescaler**

This prescaler divides  $f_w$  to generate a clock of  $f_w/2^4$  to  $f_w/2^{11}$ .

**(5) 5-bit counter**

This counter counts  $f_w$  or  $f_w/2^9$ , and generates a watch timer interrupt request signal at intervals of  $2^4/f_w$ ,  $2^5/f_w$ ,  $2^{12}/f_w$ , or  $2^{14}/f_w$ .

**(6) Selector**

The watch timer has the following five selectors.

- Selector that selects one of  $f_x$ ,  $f_x/2$ ,  $f_x/4$ , or  $f_x/8$  as the source clock of the watch timer
- Selector that selects the main clock ( $f_x$ ) or subclock ( $f_{xT}$ ) as the clock of the watch timer
- Selector that selects  $f_w$  or  $f_w/2^9$  as the count clock frequency of the 5-bit counter
- Selector that selects  $2^4/f_w$ ,  $2^{13}/f_w$ ,  $2^5/f_w$ , or  $2^{14}/f_w$  as the INTWT signal generation time interval
- Selector that selects  $2^4/f_w$  to  $2^{11}/f_w$  as the interval timer interrupt request signal (INTWTI) generation time interval

**(7) PRSCM register**

This is an 8-bit compare register that sets the interval time.

**(8) PRSM register**

This register controls clock supply to the watch timer.

**(9) WTM register**

This is an 8-bit register that controls the operation of the watch timer/interval timer, and sets the interrupt request signal generation interval.



### 9.3 Registers

The following registers are provided for the watch timer.

- Prescaler mode register 0 (PRSM0)
- Prescaler compare register 0 (PRSCM0)
- Watch timer operation mode register (WTM)

#### (1) Prescaler mode register 0 (PRSM0)

The PRSM0 register controls the generation of the watch timer count clock.

This register can be read or written in 8-bit or 1-bit units.

Reset sets this register to 00H.

After reset: 00H    R/W    Address: FFFFF8B0H

	7	6	5	4	3	2	1	0
PRSM0	0	0	0	BGCE0	0	0	BGCS01	BGCS00

BGCE0	Main clock operation enable
0	Disabled
1	Enabled

BGCS01	BGCS00	Selection of watch timer source clock ( $f_{BGS}$ )		
			5 MHz	4 MHz
0	0	$f_x$	200 ns	250 ns
0	1	$f_x/2$	400 ns	500 ns
1	0	$f_x/4$	800 ns	1 $\mu$ s
1	1	$f_x/8$	1.6 $\mu$ s	2 $\mu$ s

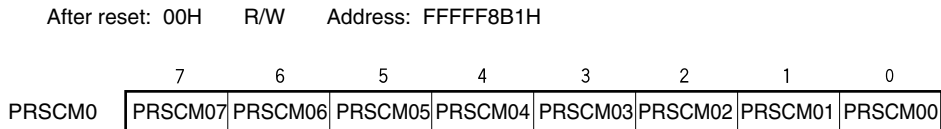
- Cautions**
1. Do not change the values of the BGCS00 and BGCS01 bits during watch timer operation.
  2. Set the PRSM0 register before setting the BGCE0 bit to 1.
  3. Set the PRSM0 and PRSCM0 registers according to the main clock frequency that is used so as to obtain an  $f_{BRG}$  frequency of 32.768 kHz.

**(2) Prescaler compare register 0 (PRSCM0)**

The PRSCM0 register is an 8-bit compare register.

This register can be read or written in 8-bit units.

Reset sets this register to 00H.



- Cautions**
1. Do not rewrite the PRSCM0 register during watch timer operation.
  2. Set the PRSCM0 register before setting the PRSM0.BGCE0 bit to 1.
  3. Set the PRSM0 and PRSCM0 registers according to the main clock frequency that is used so as to obtain an  $f_{BRG}$  frequency of 32.768 kHz.

The calculation for  $f_{BRG}$  is shown below.

$$f_{BRG} = f_{BGCS}/2N$$

**Remark**  $f_{BGCS}$ : Watch timer source clock set by the PRSM0 register

N: Set value of PRSCM0 register = 1 to 256

However, N = 256 only when PRSCM0 register is set to 00H.

**(3) Watch timer operation mode register (WTM)**

The WTM register enables or disables the count clock and operation of the watch timer, sets the interval time of the prescaler, controls the operation of the 5-bit counter, and sets the set time of the watch flag.

Set the PRSM0 register before setting the WTM register.

This register can be read or written in 8-bit or 1-bit units.

Reset sets this register to 00H.

(1/2)

After reset: 00H R/W Address: FFFFF680H

	7	6	5	4	3	2	1	0
WTM	WTM7	WTM6	WTM5	WTM4	WTM3	WTM2	WTM1	WTM0

WTM7	WTM6	WTM5	WTM4	Selection of interval time of prescaler
0	0	0	0	$2^4/f_w$ (488 $\mu$ s: $f_w = f_{XT}$ )
0	0	0	1	$2^5/f_w$ (977 $\mu$ s: $f_w = f_{XT}$ )
0	0	1	0	$2^6/f_w$ (1.95 ms: $f_w = f_{XT}$ )
0	0	1	1	$2^7/f_w$ (3.91 ms: $f_w = f_{XT}$ )
0	1	0	0	$2^8/f_w$ (7.81 ms: $f_w = f_{XT}$ )
0	1	0	1	$2^9/f_w$ (15.6 ms: $f_w = f_{XT}$ )
0	1	1	0	$2^{10}/f_w$ (31.3 ms: $f_w = f_{XT}$ )
0	1	1	1	$2^{11}/f_w$ (62.5 ms: $f_w = f_{XT}$ )
1	0	0	0	$2^4/f_w$ (488 $\mu$ s: $f_w = f_{BRG}$ )
1	0	0	1	$2^5/f_w$ (977 $\mu$ s: $f_w = f_{BRG}$ )
1	0	1	0	$2^6/f_w$ (1.95 ms: $f_w = f_{BRG}$ )
1	0	1	1	$2^7/f_w$ (3.90 ms: $f_w = f_{BRG}$ )
1	1	0	0	$2^8/f_w$ (7.81 ms: $f_w = f_{BRG}$ )
1	1	0	1	$2^9/f_w$ (15.6 ms: $f_w = f_{BRG}$ )
1	1	1	0	$2^{10}/f_w$ (31.2 ms: $f_w = f_{BRG}$ )
1	1	1	1	$2^{11}/f_w$ (62.5 ms: $f_w = f_{BRG}$ )

WTM7	WTM3	WTM2	Selection of set time of watch flag
0	0	0	$2^{14}/f_w$ (0.5 s: $f_w = f_{XT}$ )
0	0	1	$2^{13}/f_w$ (0.25 s: $f_w = f_{XT}$ )
0	1	0	$2^5/f_w$ (977 $\mu$ s: $f_w = f_{XT}$ )
0	1	1	$2^4/f_w$ (488 $\mu$ s: $f_w = f_{XT}$ )
1	0	0	$2^{14}/f_w$ (0.5 s: $f_w = f_{BRG}$ )
1	0	1	$2^{13}/f_w$ (0.25 s: $f_w = f_{BRG}$ )
1	1	0	$2^5/f_w$ (977 $\mu$ s: $f_w = f_{BRG}$ )
1	1	1	$2^4/f_w$ (488 $\mu$ s: $f_w = f_{BRG}$ )

WTM1	Control of 5-bit counter operation
0	Clears after operation stops
1	Starts

WTM0	Watch timer operation enable
0	Stops operation (clears both prescaler and 5-bit counter)
1	Enables operation

**Caution** Rewrite the WTM2 to WTM7 bits while both the WTM0 and WTM1 bits are 0.

- Remarks**
1.  $f_w$ : Watch timer clock frequency
  2. Values in parentheses apply to operation with  $f_w = 32.768$  kHz
  3.  $f_{XT}$ : Subclock frequency
  4.  $f_{BRG}$ : Watch timer count clock frequency

## 9.4 Operation

### 9.4.1 Operation as watch timer

The watch timer generates an interrupt request signal (INTWT) at fixed time intervals. The watch timer operates using time intervals of 0.25 or 0.5 seconds with the subclock (32.768 kHz) or main clock.

The count operation starts when the WTM.WTM1 and WTM.WTM0 bits are set to 11. When the WTM0 bit is cleared to 0, the 11-bit prescaler and 5-bit counter are cleared and the count operation stops.

The time of the watch timer can be adjusted by clearing the WTM1 bit to 0 and then the 5-bit counter when operating at the same time as the interval timer. At this time, an error of up to 15.6 ms may occur for the watch timer, but the interval timer is not affected.

If the main clock is used as the count clock of the watch timer, set the count clock using the PRSM0.BGCS01 and BGCS00 bits, the 8-bit comparison value using the PRSCM0 register, and the count clock frequency ( $f_{BRG}$ ) of the watch timer to 32.768 kHz.

When the PRSM0.BGCE0 bit is set (1),  $f_{BRG}$  is supplied to the watch timer.

$f_{BRG}$  can be calculated by the following expression.

$$f_{BRG} = f_x / (2^{m+1} \times N)$$

To set  $f_{BRG}$  to 32.768 kHz, perform the following calculation and set the BGCS01 and BGCS00 bits and the PRSCM0 register.

<1> Set  $N = f_x / 65,536$ . Set  $m = 0$ .

<2> When the value resulting from rounding up the first decimal place of  $N$  is even, set  $N$  before the roundup as  $N/2$  and  $m$  as  $m + 1$ .

<3> Repeat <2> until  $N$  is odd or  $m = 3$ .

<4> Set the value resulting from rounding up the first decimal place of  $N$  to the PRSCM0 register and  $m$  to the BGCS01 and BGCS00 bits.

Example: When  $f_x = 4.00$  MHz

<1>  $N = 4,000,000 / 65,536 = 61.03\dots$ ,  $m = 0$

<2>, <3> Because  $N$  (round up the first decimal place) is odd,  $N = 61$ ,  $m = 0$ .

<4> Set value of PRSCM0 register: 3DH (61), set value of BGCS01 and BGCS00 bits: 00

At this time, the actual  $f_{BRG}$  frequency is as follows.

$$\begin{aligned} f_{BRG} &= f_x / (2^{m+1} \times N) = 4,000,000 / (2 \times 61) \\ &= 32.787 \text{ kHz} \end{aligned}$$

**Remark**  $m$ : Division value (set value of BGCS01 and BGCS00 bits) = 0 to 3

$N$ : Set value of PRSCM0 register = 1 to 256

However,  $N = 256$  only when PRSCM0 register is set to 00H.

$f_x$ : Main clock oscillation frequency

### 9.4.2 Operation as interval timer

The watch timer can also be used as an interval timer that repeatedly generates an interrupt request signal (INTWTI) at intervals specified by a preset count value.

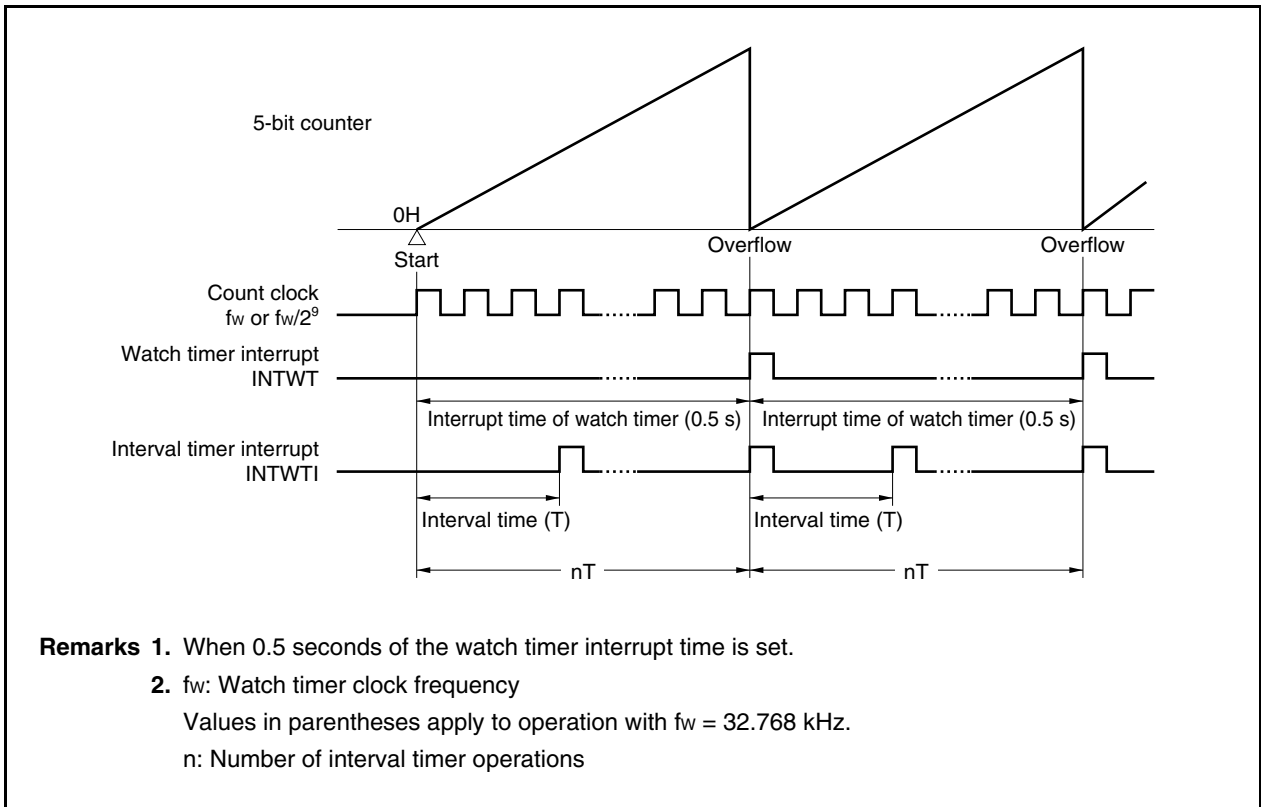
The interval time can be selected by the WTM4 to WTM7 bits of the WTM register.

**Table 9-1. Interval Time of Interval Timer**

WTM7	WTM6	WTM5	WTM4	Interval Time	
0	0	0	0	$2^4 \times 1/f_w$	488 $\mu$ s (operating at $f_w = f_{XT} = 32.768$ kHz)
0	0	0	1	$2^5 \times 1/f_w$	977 $\mu$ s (operating at $f_w = f_{XT} = 32.768$ kHz)
0	0	1	0	$2^6 \times 1/f_w$	1.95 ms (operating at $f_w = f_{XT} = 32.768$ kHz)
0	0	1	1	$2^7 \times 1/f_w$	3.91 ms (operating at $f_w = f_{XT} = 32.768$ kHz)
0	1	0	0	$2^8 \times 1/f_w$	7.81 ms (operating at $f_w = f_{XT} = 32.768$ kHz)
0	1	0	1	$2^9 \times 1/f_w$	15.6 ms (operating at $f_w = f_{XT} = 32.768$ kHz)
0	1	1	0	$2^{10} \times 1/f_w$	31.3 ms (operating at $f_w = f_{XT} = 32.768$ kHz)
0	1	1	1	$2^{11} \times 1/f_w$	62.5 ms (operating at $f_w = f_{XT} = 32.768$ kHz)
1	0	0	0	$2^4 \times 1/f_w$	488 $\mu$ s (operating at $f_w = f_{BRG} = 32.768$ kHz)
1	0	0	1	$2^5 \times 1/f_w$	977 $\mu$ s (operating at $f_w = f_{BRG} = 32.768$ kHz)
1	0	1	0	$2^6 \times 1/f_w$	1.95 ms (operating at $f_w = f_{BRG} = 32.768$ kHz)
1	0	1	1	$2^7 \times 1/f_w$	3.91 ms (operating at $f_w = f_{BRG} = 32.768$ kHz)
1	1	0	0	$2^8 \times 1/f_w$	7.81 ms (operating at $f_w = f_{BRG} = 32.768$ kHz)
1	1	0	1	$2^9 \times 1/f_w$	15.6 ms (operating at $f_w = f_{BRG} = 32.768$ kHz)
1	1	1	0	$2^{10} \times 1/f_w$	31.3 ms (operating at $f_w = f_{BRG} = 32.768$ kHz)
1	1	1	1	$2^{11} \times 1/f_w$	62.5 ms (operating at $f_w = f_{BRG} = 32.768$ kHz)

**Remark**  $f_w$ : Watch timer clock frequency

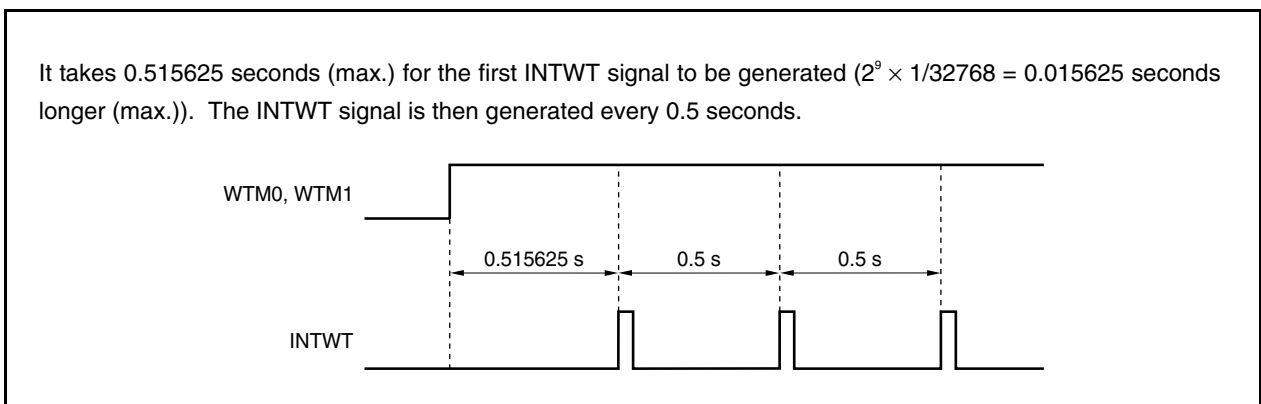
Figure 9-2. Operation Timing of Watch Timer/Interval Timer



9.4.3 Cautions

Some time is required before the first watch timer interrupt request signal (INTWT) is generated after operation is enabled (WTM.WTM1 and WTM.WTM0 bits = 1).

Figure 9-3. Example of Generation of Watch Timer Interrupt Request Signal (INTWT)  
(When Interrupt Cycle = 0.5 s)



## CHAPTER 10 FUNCTIONS OF WATCHDOG TIMER 2

### 10.1 Functions

Watchdog timer 2 has the following functions.

- Default-start watchdog timer<sup>Note 1</sup>
  - Reset mode: Reset operation upon overflow of watchdog timer 2 (generation of WDT2RES signal)
  - Non-maskable interrupt request mode: NMI operation upon overflow of watchdog timer 2 (generation of INTWDT2 signal)<sup>Note 2</sup>
- Input selectable from main clock and internal oscillation clock as the source clock

**Notes** 1. Watchdog timer 2 automatically starts in the reset mode following reset release.

When watchdog timer 2 is not used, either stop its operation before reset is executed via this function, or clear watchdog timer 2 once and stop it within the next interval time.

Also, write to the WDTM2 register for verification purposes only once, even if the default settings (reset mode, interval time:  $f_R/2^{19}$ ) do not need to be changed.

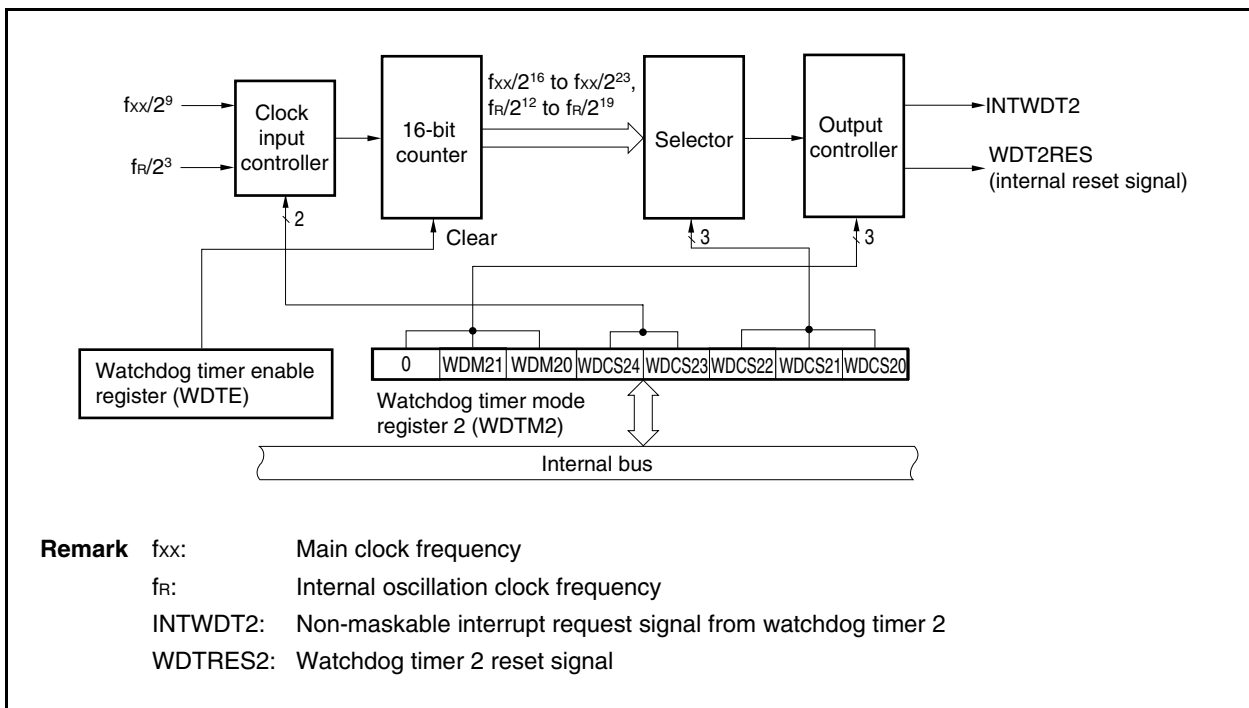
2. For the non-maskable interrupt servicing due to a non-maskable interrupt request signal (INTWDT2), see **15.2.2 (2) INTWDT2 signal**.



## 10.2 Configuration

The following shows the block diagram of watchdog timer 2.

Figure 10-1. Block Diagram of Watchdog Timer 2



Watchdog timer 2 includes the following hardware.

Table 10-1. Configuration of Watchdog Timer 2

Item	Configuration
Control registers	Watchdog timer mode register 2 (WDTM2) Watchdog timer enable register (WDTE)

### 10.3 Registers

#### (1) Watchdog timer mode register 2 (WDTM2)

The WDTM2 register sets the overflow time and operation clock of watchdog timer 2.

This register can be read or written in 8-bit units. This register can be read any number of times, but it can be written only once following reset release.

Reset sets this register to 67H.

**Caution** Accessing the WDTM2 register is prohibited in the following statuses. For details, see 3.4.8

#### (2) Accessing specific on-chip peripheral I/O registers.

- When the CPU operates with the subclock and the main clock oscillation is stopped
- When the CPU operates with the internal oscillation clock

After reset: 67H R/W Address: FFFFF6D0H

	7	6	5	4	3	2	1	0
WDTM2	0	WDM21	WDM20	WDCS24	WDCS23	WDCS22	WDCS21	WDCS20

WDM21	WDM20	Selection of operation mode of watchdog timer 2 <sup>Note</sup>
0	0	Stops operation
0	1	Non-maskable interrupt request mode (generation of INTWDT2 signal)
1	–	Reset mode (generation of WDT2RES signal)

**Note** If the OPB1 bit is set to 1 by using the option byte function (see **CHAPTER 24**), the reset mode is fixed.

**Cautions** 1. For details of the WDCS20 to WDCS24 bits, see Table 10-2 Watchdog Timer 2 Clock Selection.

2. If the WDTM2 register is rewritten twice after reset, an overflow signal is forcibly generated and the counter is reset.
3. To intentionally generate an overflow signal, write to the WDTM2 register only twice or write a value other than ACH to the WDTE register once.
4. To stop the operation of watchdog timer 2, write 1FH to the WDTM2 register. If the OPB1 bit is set to 1 by using the option byte function (see **CHAPTER 24**), however, watchdog timer 2 cannot be stopped by any means other than reset.

Table 10-2. Watchdog Timer 2 Clock Selection

WDCS24	WDCS23	WDCS22	WDCS21	WDCS20	Selected Clock	100 kHz (MIN.)	200 kHz (TYP.)	400 kHz (MAX.)
0	0	0	0	0	$2^{12}/f_R$	41.0 ms	20.5 ms	10.2 ms
0	0	0	0	1	$2^{13}/f_R$	81.9 ms	41.0 ms	20.5 ms
0	0	0	1	0	$2^{14}/f_R$	163.8 ms	81.9 ms	41.0 ms
0	0	0	1	1	$2^{15}/f_R$	327.7 ms	163.8 ms	81.9 ms
0	0	1	0	0	$2^{16}/f_R$	655.4 ms	327.7 ms	163.8 ms
0	0	1	0	1	$2^{17}/f_R$	1,310.7 ms	655.4 ms	327.7 ms
0	0	1	1	0	$2^{18}/f_R$	2,621.4 ms	1,310.7 ms	655.4 ms
0	0	1	1	1	$2^{19}/f_R$	5,242.9 ms	2,621.4 ms	1,310.7 ms
						$f_{XX} = 4 \text{ MHz}$	$f_{XX} = 5 \text{ MHz}$	
0	1	0	0	0	$2^{16}/f_{XX}$	16.4 ms	13.1 ms	
0	1	0	0	1	$2^{17}/f_{XX}$	32.8 ms	26.2 ms	
0	1	0	1	0	$2^{18}/f_{XX}$	65.5 ms	52.4 ms	
0	1	0	1	1	$2^{19}/f_{XX}$	131.1 ms	104.9 ms	
0	1	1	0	0	$2^{20}/f_{XX}$	262.1 ms	209.7 ms	
0	1	1	0	1	$2^{21}/f_{XX}$	524.3 ms	419.4 ms	
0	1	1	1	0	$2^{22}/f_{XX}$	1,048.6 ms	838.9 ms	
0	1	1	1	1	$2^{23}/f_{XX}$	2,097.2 ms	1,677.7 ms	
1	1	1	1	1	Operation stopped			

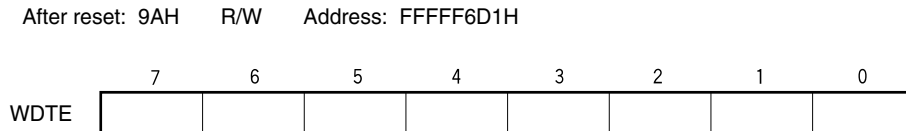
**Caution** If the OPB1 bit is set to 1 by using the option byte function, the clock is fixed to the internal oscillation clock ( $f_R$ ) ( $2^{12}/f_R$  to  $2^{19}/f_R$  can be selected). For details, see CHAPTER 24 OPTION BYTE FUNCTION.

**(2) Watchdog timer enable register (WDTE)**

The counter of watchdog timer 2 is cleared and counting restarted by writing “ACH” to the WDTE register.

The WDTE register can be read or written in 8-bit units.

Reset sets this register to 9AH.



- Cautions**
1. When a value other than “ACH” is written to the WDTE register, an overflow signal is forcibly output.
  2. When a 1-bit memory manipulation instruction is executed for the WDTE register, an overflow signal is forcibly output.
  3. To intentionally generate an overflow signal, write to the WDTM2 register only twice or write a value other than ACH to the WDTE register once.
  4. The read value of the WDTE register is “9AH” (which differs from written value “ACH”).

## 10.4 Operation

Watchdog timer 2 automatically starts in the reset mode following reset release.

The WDTM2 register can be written to only once following reset using byte access. To use watchdog timer 2, write the operation mode and the interval time to the WDTM2 register using an 8-bit memory manipulation instruction. After this, the operation of watchdog timer 2 cannot be stopped.

The WDCS24 to WDCS20 bits of the WDTM2 register are used to select the watchdog timer 2 loop detection time interval.

Writing ACH to the WDTE register clears the counter of watchdog timer 2 and starts the count operation again. After the count operation has started, write ACH to WDTE within the loop detection time interval.

If the time interval expires without ACH being written to the WDTE register, a reset signal (WDT2RES) or a non-maskable interrupt request signal (INTWDT2) is generated, depending on the set values of the WDM21 and WDTM2.WDM20 bits.

When the WDTM2.WDM21 bit is set to 1 (reset mode), if a WDT overflow occurs during oscillation stabilization after a reset or standby is released, no internal reset will occur and the CPU clock will switch to the internal oscillation clock.

To not use watchdog timer 2, write 1FH to the WDTM2 register.

For the non-maskable interrupt servicing while the non-maskable interrupt request mode is set, see **15.2.2 (2) From INTWDT2 signal**.

## CHAPTER 11 A/D CONVERTER

### 11.1 Overview

The A/D converter converts analog input signals into digital values, has a resolution of 10 bits, and can handle 16 analog input signal channels (ANI0 to ANI15).

The A/D converter has the following features.

- 10-bit resolution
- 24 channels
- Successive approximation method
- Operating voltage:  $AV_{REF0} = 4.0$  to  $5.5$  V
- Analog input voltage:  $0$  V to  $AV_{REF0}$
- The following functions are provided as operation modes.
  - Continuous select mode
  - Continuous scan mode
  - One-shot scan mode
- The following functions are provided as trigger modes.
  - Software trigger mode
  - External trigger mode (external, 1)
  - Timer trigger mode
- Power-fail monitor function (conversion result compare function)

### 11.2 Functions

#### (1) 10-bit resolution A/D conversion

An analog input channel is selected from ANI0 to ANI15, and an A/D conversion operation is repeated at a resolution of 10 bits. Each time A/D conversion has been completed, an interrupt request signal (INTAD) is generated.

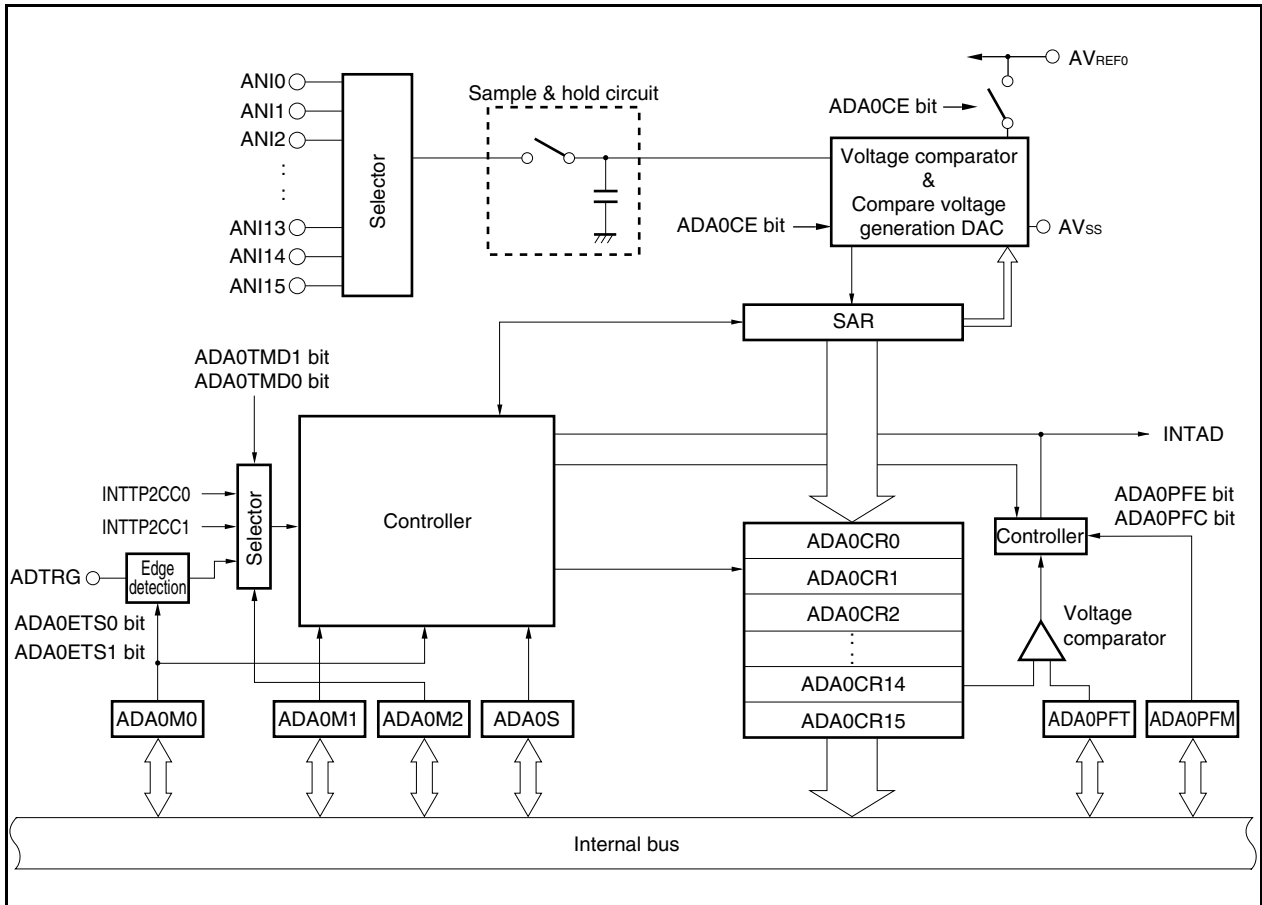
#### (2) Power-fail detection function

This function is used to detect a drop in the battery voltage. The result of A/D conversion (the value of the ADA0CRnH register) is compared with the value of the ADA0PFT register, and the INTAD signal is generated only when a specified comparison condition is satisfied ( $n = 0$  to  $15$ ).

### 11.3 Configuration

The block diagram of the A/D converter is shown below.

Figure 11-1. Block Diagram of A/D Converter



The A/D converter includes the following hardware.

Table 11-1. Configuration of A/D Converter

Item	Configuration
Analog inputs	16 channels (ANI0 to ANI15 pins)
Registers	Successive approximation register (SAR) A/D conversion result registers 0 to 15 (ADA0CR0 to ADA0CR15) A/D conversion result registers 0H to 15H (ADCR0H to ADCR15H): Only higher 8 bits can be read
Control registers	A/D converter mode registers 0 to 2 (ADA0M0 to ADA0M2) A/D converter channel specification register 0 (ADA0S) Power fail compare mode register (ADA0PFM) Power fail compare threshold value register (ADA0PFT)

**(1) Successive approximation register (SAR)**

The SAR register compares the voltage value of the analog input signal with the output voltage of the compare voltage generation DAC (compare voltage), and holds the comparison result starting from the most significant bit (MSB).

When the comparison result has been held down to the least significant bit (LSB) (i.e., when A/D conversion is complete), the contents of the SAR register are transferred to the ADA0CRn register.

**Remark** n = 0 to 15

**(2) A/D conversion result register n (ADA0CRn), A/D conversion result register nH (ADA0CRnH)**

The ADA0CRn register is a 16-bit register that stores the A/D conversion result. ADA0ARn consist of 16 registers and the A/D conversion result is stored in the 10 higher bits of the ADA0CRn register corresponding to analog input. (The lower 6 bits are fixed to 0.)

**(3) A/D converter mode register 0 (ADA0M0)**

This register specifies the operation mode and controls the conversion operation by the A/D converter.

**(4) A/D converter mode register 1 (ADA0M1)**

This register sets the conversion time of the analog input signal to be converted.

**(5) A/D converter mode register 2 (ADA0M2)**

This register sets the hardware trigger mode.

**(6) A/D converter channel specification register (ADA0S)**

This register sets the input port that inputs the analog voltage to be converted.

**(7) Power-fail compare mode register (ADA0PFM)**

This register sets the power-fail monitor mode.

**(8) Power-fail compare threshold value register (ADA0PFT)**

The ADA0PFT register sets a threshold value that is compared with the value of A/D conversion result register nH (ADA0CRnH). The 8-bit data set to the ADA0PFT register is compared with the higher 8 bits of the A/D conversion result register (ADA0CRnH).

**(9) Controller**

The controller compares the result of the A/D conversion (the value of the ADA0CRnH register) with the value of the ADA0PFT register when A/D conversion is completed or when the power-fail detection function is used, and generates the INTAD signal only when a specified comparison condition is satisfied.

**(10) Sample & hold circuit**

The sample & hold circuit samples each of the analog input signals selected by the input circuit and sends the sampled data to the voltage comparator. This circuit also holds the sampled analog input signal voltage during A/D conversion.

**(11) Voltage comparator**

The voltage comparator compares a voltage value that has been sampled and held with the voltage value of the compare voltage generation DAC.



**(12) Compare voltage generation DAC**

This compare voltage generation DAC is connected between  $AV_{REF0}$  and  $AV_{SS}$  and generates a voltage for comparison with the analog input signal.

**(13) ANI0 to ANI15 pins**

These are analog input pins for the 16 A/D converter channels and are used to input analog signals to be converted into digital signals. Pins other than the one selected as the analog input by the ADA0S register can be used as input port pins.

- Cautions**
- 1. Make sure that the voltages input to the ANI0 to ANI15 pins do not exceed the rated values. In particular if a voltage of  $AV_{REF0}$  or higher is input to a channel, the conversion value of that channel becomes undefined, and the conversion values of the other channels may also be affected.**
  - 2. The analog input pins (ANI0 to ANI15) function alternately as input port pins (P70 to P715). If any of ANI0 to ANI15 is selected to execute A/D conversion, do not execute an input instruction to port 7 during conversion. If executed, the conversion resolution may be degraded.**

**(14)  $AV_{REF0}$  pin**

This is the pin used to input the reference voltage of the A/D converter. Always make the potential at this pin the same as that at the  $V_{DD}$  pin even when the A/D converter is not used. The signals input to the ANI0 to ANI15 pins are converted to digital signals based on the voltage applied between the  $AV_{REF0}$  and  $AV_{SS}$  pins.

**(15)  $AV_{SS}$  pin**

This is the ground pin of the A/D converter. Always make the potential at this pin the same as that at the  $V_{SS}$  pin even when the A/D converter is not used.

## 11.4 Registers

The A/D converter is controlled by the following registers.

- A/D converter mode registers 0, 1, 2 (ADA0M0, ADA0M1, ADA0M2)
- A/D converter channel specification register 0 (ADA0S)
- Power-fail compare mode register (ADA0PFM)

The following registers are also used.

- A/D conversion result register n (ADA0CRn)
- A/D conversion result register nH (ADA0CRnH)
- Power-fail compare threshold value register (ADA0PFT)

### (1) A/D converter mode register 0 (ADA0M0)

The ADA0M0 register is an 8-bit register that specifies the operation mode and controls conversion operations. This register can be read or written in 8-bit or 1-bit units. However, ADA0EF bit is read-only. Reset sets this register to 00H.

**Caution** Accessing the ADA0M0 register is prohibited in the following statuses. For details, see 3.4.8

#### (2) Accessing specific on-chip peripheral I/O registers.

- When the CPU operates with the subclock and the main clock oscillation is stopped
- When the CPU operates with the internal oscillation clock

After reset: 00H R/W Address: FFFFF200H

	7	6	5	4	3	2	1	0
ADA0M0	ADA0CE	0	ADA0MD1	ADA0MD0	ADA0ETS1	ADA0ETS0	ADA0TMD	ADA0EF

ADA0CE	A/D conversion control	
0	Stops A/D conversion	
1	Enables A/D conversion	

ADA0MD1	ADA0MD0	Specification of A/D converter operation mode
0	0	Continuous select mode
0	1	Continuous scan mode
1	0	Setting prohibited
1	1	One-shot scan mode

ADA0ETS1	ADA0ETS0	Specification of external trigger (ADTRG pin) input valid edge
0	0	No edge detection
0	1	Falling edge detection
1	0	Rising edge detection
1	1	Detection of both rising and falling edges

ADA0TMD	Trigger mode specification
0	Software trigger mode
1	External trigger mode/timer trigger mode

ADA0EF	A/D converter status display
0	A/D conversion stopped
1	A/D conversion in progress

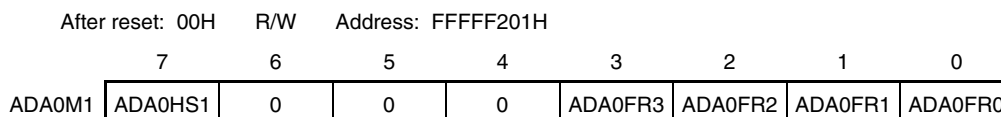
- Cautions**
1. Write operations to bit 0 are ignored.
  2. Changing the ADA0M1 register value is prohibited while A/D conversion is enabled (ADA0CE bit = 1).
  3. If the ADA0M0, ADA0M2, ADA0S, ADA0PFM, and ADA0PFT registers are written during A/D conversion (ADA0EF bit = 1), the following will be performed according to the mode.
    - In software trigger mode  
A/D conversion is stopped and started again from the beginning.
    - In hardware trigger mode  
A/D conversion is stopped, and the trigger standby state is set.
  4. When not using the A/D converter, stop the operation by setting the ADA0CE bit to 0 to reduce the power consumption.
  5. The resolution for the first conversion of the data of the input pin immediately after the start of A/D conversion may be degraded. For details, see 11.6 (7) AV<sub>REF0</sub> pin.

**(2) A/D converter mode register 1 (ADA0M1)**

The ADA0M1 register is an 8-bit register that controls the conversion time specification.

This register can be read or written in 8-bit or 1-bit units.

Reset sets this register to 00H.



- Cautions**
1. Be sure to clear bits 6 to 4 to “0”.
  2. Be sure to set the ADA0HS1 bit to “1”.

**Remark** For A/D conversion time setting examples, see **Table 11-2**.

**Table 11-2. Conversion Mode Setting Example**

ADA0HS1	ADA0FR3 to ADA0FR0				A/D Conversion Time	f <sub>xx</sub> = 20 MHz	f <sub>xx</sub> = 16 MHz	f <sub>xx</sub> = 4 MHz	A/D Stabilization Time <sup>Note</sup>
	3	2	1	0					
1	0	0	0	0	31/f <sub>xx</sub>	Setting prohibited	Setting prohibited	7.75 μs	16/f <sub>xx</sub>
	0	0	0	1	62/f <sub>xx</sub>	3.10 μs	3.88 μs	15.50 μs	31/f <sub>xx</sub>
	0	0	1	0	93/f <sub>xx</sub>	4.65 μs	5.81 μs	Setting prohibited	47/f <sub>xx</sub>
	0	0	1	1	124/f <sub>xx</sub>	6.20 μs	7.75 μs	Setting prohibited	50/f <sub>xx</sub>
	0	1	0	0	155/f <sub>xx</sub>	7.75 μs	9.69 μs	Setting prohibited	50/f <sub>xx</sub>
	0	1	0	1	186/f <sub>xx</sub>	9.30 μs	11.63 μs	Setting prohibited	50/f <sub>xx</sub>
	0	1	1	0	217/f <sub>xx</sub>	10.85 μs	13.56 μs	Setting prohibited	50/f <sub>xx</sub>
	0	1	1	1	248/f <sub>xx</sub>	12.40 μs	15.50 μs	Setting prohibited	50/f <sub>xx</sub>
	1	0	0	0	279/f <sub>xx</sub>	13.95 μs	Setting prohibited	Setting prohibited	50/f <sub>xx</sub>
	1	0	0	1	310/f <sub>xx</sub>	15.50 μs	Setting prohibited	Setting prohibited	50/f <sub>xx</sub>
	1	0	1	0	341/f <sub>xx</sub>	Setting prohibited	Setting prohibited	Setting prohibited	50/f <sub>xx</sub>
	1	0	1	1	372/f <sub>xx</sub>	Setting prohibited	Setting prohibited	Setting prohibited	50/f <sub>xx</sub>
	1	1	0	0	403/f <sub>xx</sub>	Setting prohibited	Setting prohibited	Setting prohibited	50/f <sub>xx</sub>
	1	1	0	1	434/f <sub>xx</sub>	Setting prohibited	Setting prohibited	Setting prohibited	50/f <sub>xx</sub>
	1	1	1	0	465/f <sub>xx</sub>	Setting prohibited	Setting prohibited	Setting prohibited	50/f <sub>xx</sub>
	1	1	1	1	496/f <sub>xx</sub>	Setting prohibited	Setting prohibited	Setting prohibited	50/f <sub>xx</sub>

**Note** When the ADA0CE bit of the ADA0M0 register is changed from 0 to 1 to secure the A/D converter stabilization time, the first A/D conversion starts after one of the above clock values is input.

**(3) A/D converter mode register 2 (ADA0M2)**

The ADA0M2 register specifies the hardware trigger mode.

This register can be read or written in 8-bit or 1-bit units.

Reset sets this register to 00H.

After reset: 00H    R/W    Address: FFFFF203H

	7	6	5	4	3	2	1	0
ADA0M2	0	0	0	0	0	0	ADA0TMD1	ADA0TMD0

ADA0TMD1	ADA0TMD0	Specification of hardware trigger mode
0	0	External trigger mode (when ADTRG pin valid edge detected)
0	1	Timer trigger mode 0 (when INTTP2CC0 interrupt request generated)
1	0	Timer trigger mode 1 (when INTTP2CC1 interrupt request generated)
1	1	Setting prohibited

**Caution** Be sure to clear bits 7 to 2 to "0".

**(4) A/D converter channel specification register 0 (ADA0S)**

The ADA0S register specifies the pin that inputs the analog voltage to be converted into a digital signal.

This register can be read or written in 8-bit or 1-bit units.

Reset sets this register to 00H.

After reset: 00H    R/W    Address: FFFFF202H								
	7	6	5	4	3	2	1	0
ADA0S	0	0	0	0	ADA0S3	ADA0S2	ADA0S1	ADA0S0

ADA0S3	ADA0S2	ADA0S1	ADA0S0	Select mode	Scan mode
0	0	0	0	ANI0	ANI0
0	0	0	1	ANI1	ANI0, ANI1
0	0	1	0	ANI2	ANI0 to ANI2
0	0	1	1	ANI3	ANI0 to ANI3
0	1	0	0	ANI4	ANI0 to ANI4
0	1	0	1	ANI5	ANI0 to ANI5
0	1	1	0	ANI6	ANI0 to ANI6
0	1	1	1	ANI7	ANI0 to ANI7
1	0	0	0	ANI8	ANI0 to ANI8
1	0	0	1	ANI9	ANI0 to ANI9
1	0	1	0	ANI10	ANI0 to ANI10
1	0	1	1	ANI11	ANI0 to ANI11
1	1	0	0	ANI12	ANI0 to ANI12
1	1	0	1	ANI13	ANI0 to ANI13
1	1	1	0	ANI14	ANI0 to ANI14
1	1	1	1	ANI15	ANI0 to ANI15
Other than above				Setting prohibited	

**(5) A/D conversion result registers n, nH (ADA0CRn, ADA0CRnH)**

The ADA0CRn and ADA0CRnH registers store the A/D conversion results.

These registers are read-only, in 16-bit or 8-bit units. However, specify the ADA0CRn register for 16-bit access and the ADA0CRnH register for 8-bit access. The 10 bits of the conversion result are read from the higher 10 bits of the ADA0CRn register, and 0 is read from the lower 6 bits. The higher 8 bits of the conversion result are read from the ADA0CRnH register.

**Caution** Accessing the ADA0CRn and ADA0CRnH registers is prohibited in the following statuses. For details, see 3.4.8 (2) Accessing specific on-chip peripheral I/O registers.

- When the CPU operates with the subclock and the main clock oscillation is stopped
- When the CPU operates with the internal oscillation clock

After reset: Undefined R Address: ADA0CR0 FFFFF210H, ADA0CR1 FFFFF212H,  
 ADA0CR2 FFFFF214H, ADA0CR3 FFFFF216H,  
 ADA0CR4 FFFFF218H, ADA0CR5 FFFFF21AH,  
 ADA0CR6 FFFFF21CH, ADA0CR7 FFFFF21EH,  
 ADA0CR8 FFFFF220H, ADA0CR9 FFFFF222H,  
 ADA0CR10 FFFFF224H, ADA0CR11 FFFFF226H,  
 ADA0CR12 FFFFF228H, ADA0CR13 FFFFF22AH,  
 ADA0CR14 FFFFF22CH, ADA0CR15 FFFFF22EH

	15	14	13	12	11	10	9	8	7	6	5	4	3	2	1	0
ADA0CRn	AD9	AD8	AD7	AD6	AD5	AD4	AD3	AD2	AD1	AD0	0	0	0	0	0	0

After reset: Undefined R Address: ADA0CR0H FFFFF211H, ADA0CR1H FFFFF213H,  
 ADA0CR2H FFFFF215H, ADA0CR3H FFFFF217H,  
 ADA0CR4H FFFFF219H, ADA0CR5H FFFFF21BH,  
 ADA0CR6H FFFFF21DH, ADA0CR7H FFFFF21FH,  
 ADA0CR8H FFFFF221H, ADA0CR9H FFFFF223H,  
 ADA0CR10H FFFFF225H, ADA0CR11H FFFFF227H,  
 ADA0CR12H FFFFF229H, ADA0CR13H FFFFF22BH,  
 ADA0CR14H FFFFF22DH, ADA0CR15H FFFFF22FH

	7	6	5	4	3	2	1	0
ADA0CRnH	AD9	AD8	AD7	AD6	AD5	AD4	AD3	AD2

**Remark** n = 0 to 15

**Caution** A write operation to the ADA0M0 and ADA0S registers may cause the contents of the ADA0CRn register to become undefined. After the conversion, read the conversion result before writing to the ADA0M0 and ADA0S registers. Correct conversion results may not be read if a sequence other than the above is used.

The relationship between the analog voltage input to the analog input pins (ANI0 to ANI23) and the A/D conversion result (ADA0CRn register) is as follows.

$$SAR = INT \left( \frac{V_{IN}}{AV_{REF0}} \times 1,024 + 0.5 \right)$$

$$ADA0CR^{Note} = SAR \times 64$$

Or,

$$(SAR - 0.5) \times \frac{AV_{REF0}}{1,024} \leq V_{IN} < (SAR + 0.5) \times \frac{AV_{REF0}}{1,024}$$

INT( ): Function that returns the integer of the value in ( )

V<sub>IN</sub>: Analog input voltage

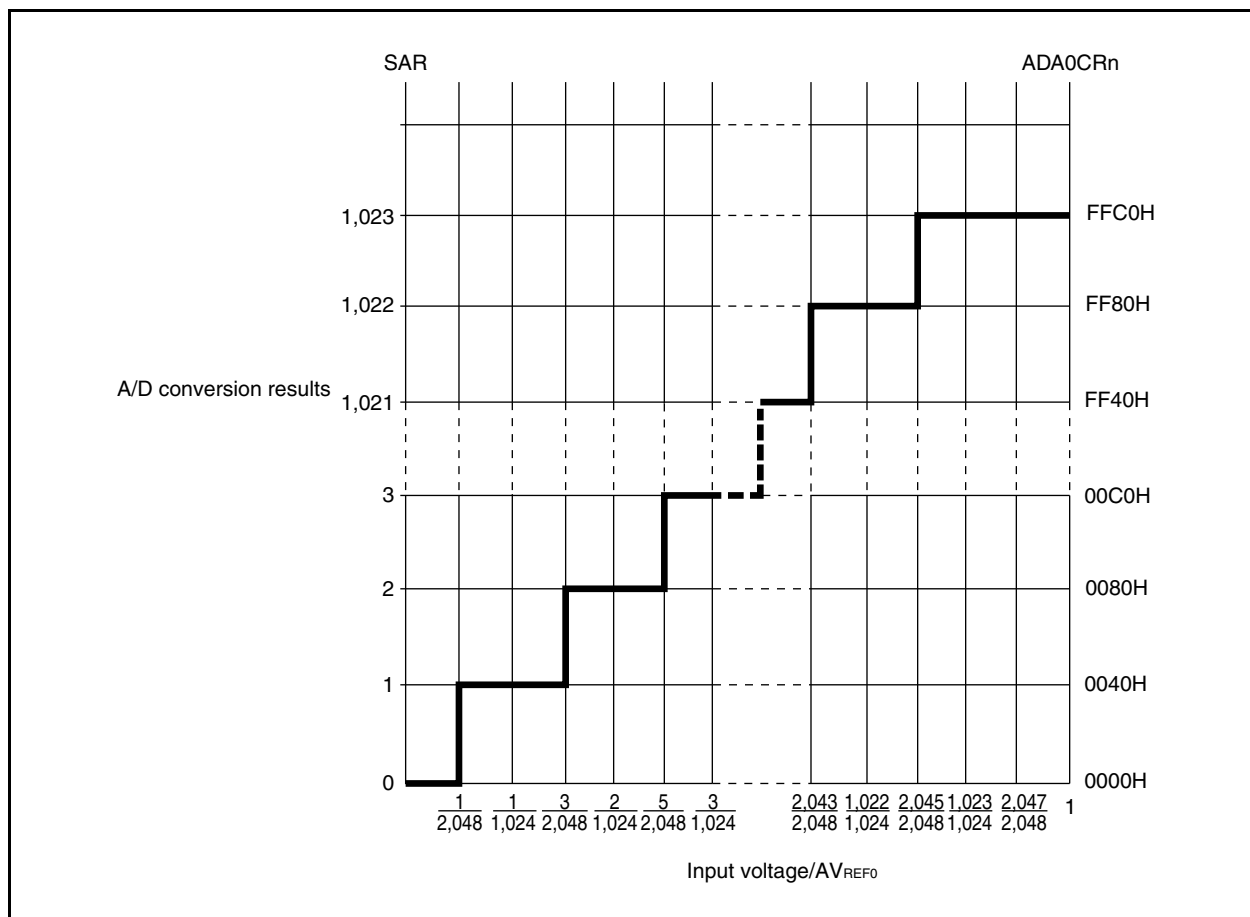
AV<sub>REF0</sub>: AV<sub>REF0</sub> pin voltage

ADA0CR: Value of ADA0CRn register

**Note** The lower 6 bits of the ADA0CRn register are fixed to 0.

The following shows the relationship between the analog input voltage and the A/D conversion results.

**Figure 11-2. Relationship Between Analog Input Voltage and A/D Conversion Results**





**(6) Power-fail compare mode register (ADA0PFM)**

The ADA0PFM register is an 8-bit register that sets the power-fail compare mode.

This register can be read or written in 8-bit or 1-bit units.

Reset sets this register to 00H.

After reset: 00H    R/W    Address: FFFFF204H

	7	6	5	4	3	2	1	0
ADA0PFM	ADA0PFE	ADA0PFC	0	0	0	0	0	0

ADA0PFE	Selection of power-fail compare enable/disable
0	Power-fail compare disabled
1	Power-fail compare enabled

ADA0PFC	Selection of power-fail compare mode
0	Generates an interrupt request signal (INTAD) when $ADA0CRnH \geq ADA0PFT$
1	Generates an interrupt request signal (INTAD) when $ADA0CRnH < ADA0PFT$

- Cautions 1.** In the select mode, the 8-bit data set to the ADA0PFT register is compared with the value of the ADA0CRnH register specified by the ADA0S register. If the result matches the condition specified by the ADA0PFC bit, the conversion result is stored in the ADA0CRn register and the INTAD signal is generated. If it does not match, however, the interrupt signal is not generated.
- 2.** In the scan mode, the 8-bit data set to the ADA0PFT register is compared with the contents of the ADA0CR0H register. If the result matches the condition specified by the ADA0PFC bit, the conversion result is stored in the ADA0CR0 register and the INTAD signal is generated. If it does not match, however, the INTAD signal is not generated. Regardless of the comparison result, the scan operation is continued and the conversion result is stored in the ADA0CRn register until the scan operation is completed. However, the INTAD signal is not generated after the scan operation has been completed.

**(7) Power-fail compare threshold value register (ADA0PFT)**

The ADA0PFT register sets the compare value in the power-fail compare mode.

This register can be read or written in 8-bit or 1-bit units.

Reset sets this register to 00H.

After reset: 00H    R/W    Address: FFFFF205H

	7	6	5	4	3	2	1	0
ADA0PFT								

## 11.5 Operation

### 11.5.1 Basic operation

- <1> Set the operation mode, trigger mode, and conversion time for executing A/D conversion by using the ADA0M0, ADA0M1, ADA0M2, and ADA0S registers. When the ADA0CE bit of the ADA0M0 register is set, conversion is started in the software trigger mode and the A/D converter waits for a trigger in the external or timer trigger mode.
- <2> When A/D conversion is started, the voltage input to the selected analog input channel is sampled by the sample & hold circuit.
- <3> When the sample & hold circuit samples the input channel for a specific time, it enters the hold status, and holds the input analog voltage until A/D conversion is complete.
- <4> Set bit 9 of the successive approximation register (SAR) to set the compare voltage generation DAC to  $(1/2) AV_{REF0}$ .
- <5> The voltage difference between the compare voltage generation DAC and the analog input voltage is compared by the voltage comparator. If the analog input voltage is higher than  $(1/2) AV_{REF0}$ , the MSB of the SAR register remains set. If it is lower than  $(1/2) AV_{REF0}$ , the MSB is reset.
- <6> Next, bit 8 of the SAR register is automatically set and the next comparison is started. Depending on the value of bit 9, to which a result has been already set, the compare voltage generation DAC is selected as follows.
- Bit 9 = 1:  $(3/4) AV_{REF0}$
  - Bit 9 = 0:  $(1/4) AV_{REF0}$
- This compare voltage and the analog input voltage are compared and, depending on the result, bit 8 is manipulated as follows.
- Analog input voltage  $\geq$  Compare voltage: Bit 8 = 1  
Analog input voltage  $\leq$  Compare voltage: Bit 8 = 0
- <7> This comparison is continued to bit 0 of the SAR register.
- <8> When comparison of the 10 bits is complete, the valid digital result is stored in the SAR register, which is then transferred to and stored in the ADA0CRn register. After that, an A/D conversion end interrupt request signal (INTAD) is generated.

### 11.5.2 Trigger mode

The timing of starting the conversion operation is specified by setting a trigger mode. The trigger mode includes a software trigger mode and hardware trigger modes. The hardware trigger modes include timer trigger modes 0 and 1, and external trigger mode. The ADA0M0.ADA0TMD bit is used to set the trigger mode. The hardware trigger modes are set by the ADA0M2.ADA0TMD1 and ADA0M2.ADA0TMD0 bits.

#### (1) Software trigger mode

When the ADA0M0.ADA0CE bit is set to 1, the signal of the analog input pin (ANI0 to ANI15) specified by the ADA0S register is converted. When conversion is complete, the result is stored in the ADA0CRn register. At the same time, the A/D conversion end interrupt request signal (INTAD) is generated.

If the operation mode specified by the ADA0M0.ADA0MD1 and ADA0M0.ADA0MD0 bits is the continuous select/scan mode, the next conversion is started, unless the ADA0CE bit is cleared to 0 after completion of the first conversion. Conversion is performed once and ends if the operation mode is the one-shot select/scan mode.

When conversion is started, the ADA0M0.ADA0EF bit is set to 1 (indicating that conversion is in progress).

If the ADA0M0, ADA0M2, ADA0S, ADA0PFM, or ADA0PFT register is written during conversion, the conversion is aborted and started again from the beginning.

#### (2) External trigger mode

In this mode, converting the signal of the analog input pin (ANI0 to ANI15) specified by the ADA0S register is started when an external trigger is input (to the ADTRG pin). Which edge of the external trigger is to be detected (i.e., the rising edge, falling edge, or both rising and falling edges) can be specified by using the ADA0M0.ADA0ETS1 and ADA0M0.ATA0ETS0 bits. When the ADA0CE bit is set to 1, the A/D converter waits for the trigger, and starts conversion after the external trigger has been input.

When conversion is completed, the result of conversion is stored in the ADA0CRn register, regardless of whether the continuous select, continuous scan, or one-shot scan mode is set as the operation mode by the ADA0MD1 and ADA0MD0 bits. At the same time, the INTAD signal is generated, and the A/D converter waits for the trigger again.

When conversion is started, the ADA0EF bit is set to 1 (indicating that conversion is in progress). While the A/D converter is waiting for the trigger, however, the ADA0EF bit is cleared to 0 (indicating that conversion is stopped). If the valid trigger is input during the conversion operation, the conversion is aborted and started again from the beginning.

If the ADA0M0, ADA0M2, ADA0S, ADA0PFM, or ADA0PFT register is written during the conversion operation, the conversion is not aborted, and the A/D converter waits for the trigger again.

**(3) Timer trigger mode**

In this mode, converting the signal of the analog input pin (ANI0 to ANI15) specified by the ADA0S register is started by the compare match interrupt request signal (INTTP2CC0 or INTTP2CC1) of the capture/compare register connected to the timer. The INTTP2CC0 or INTTP2CC1 signal is selected by the ADA0TMD1 and ADA0TMD0 bits, and conversion is started at the rising edge of the specified compare match interrupt request signal. When the ADA0CE bit is set to 1, the A/D converter waits for a trigger, and starts conversion when the compare match interrupt request signal of the timer is input.

When conversion is completed, regardless of whether the continuous select, continuous scan, or one-shot scan mode is set as the operation mode by the ADA0MD1 and ADA0MD0 bits, the result of the conversion is stored in the ADA0CRn register. At the same time, the INTAD signal is generated, and the A/D converter waits for the trigger again.

When conversion is started, the ADA0EF bit is set to 1 (indicating that conversion is in progress). While the A/D converter is waiting for the trigger, however, the ADA0EF bit is cleared to 0 (indicating that conversion is stopped). If the valid trigger is input during the conversion operation, the conversion is aborted and started again from the beginning.

If the ADA0M0, ADA0M2, ADA0S, ADA0PFM, or ADA0PFT register is written during conversion, the conversion is stopped and the A/D converter waits for the trigger again.

### 11.5.3 Operation mode

Three operation modes are available as the modes in which to set the ANI0 to ANI15 pins: continuous select mode, continuous scan mode, and one-shot scan mode.

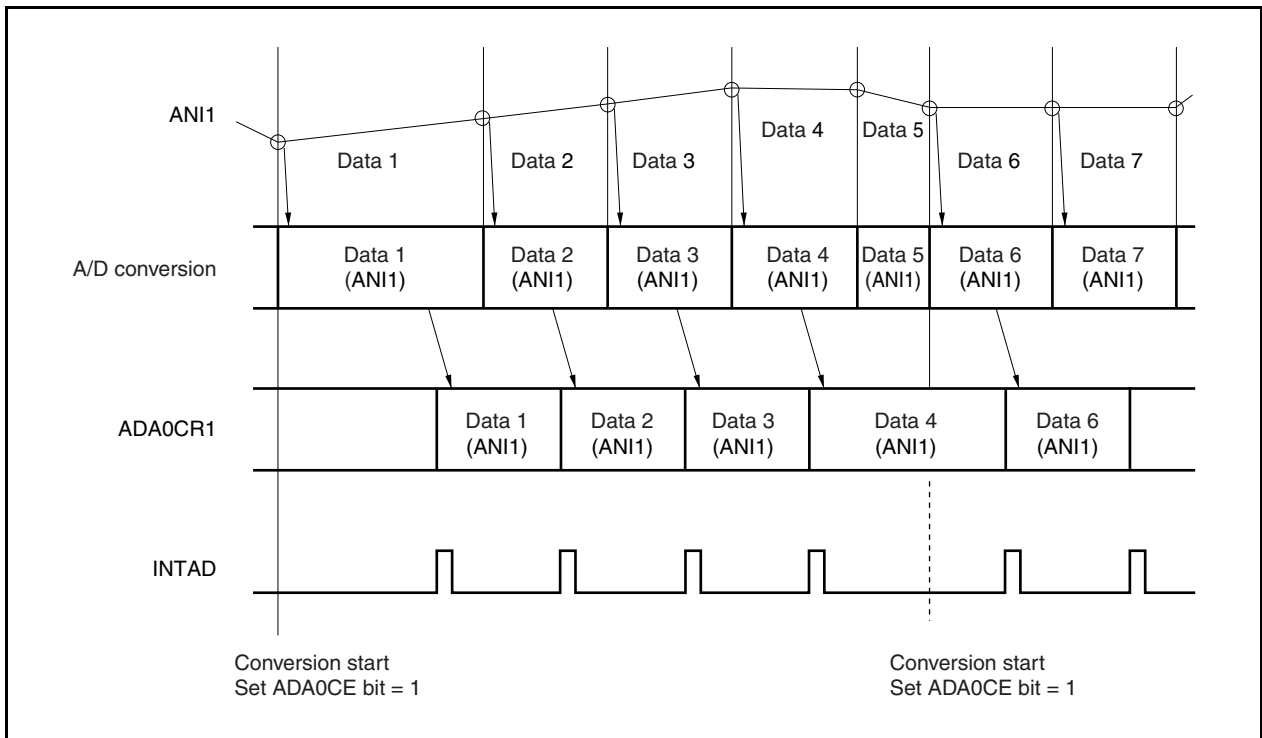
The operation mode is selected by the ADA0M0.ADA0MD1 and ADA0M0.ADA0MD0 bits.

#### (1) Continuous select mode

In this mode, the voltage of one analog input pin selected by the ADA0S register is continuously converted into a digital value.

The conversion result is stored in the ADA0CRn register corresponding to the analog input pin. In this mode, an analog input pin corresponds to an ADA0CRn register on a one-to-one basis. Each time A/D conversion is completed, the A/D conversion end interrupt request signal (INTAD) is generated. After completion of conversion, the next conversion is started, unless the ADA0M0.ADA0CE bit is cleared to 0 ( $n = 0$  to 15).

**Figure 11-3. Timing Example of Continuous Select Mode Operation (ADA0S Register = 01H)**



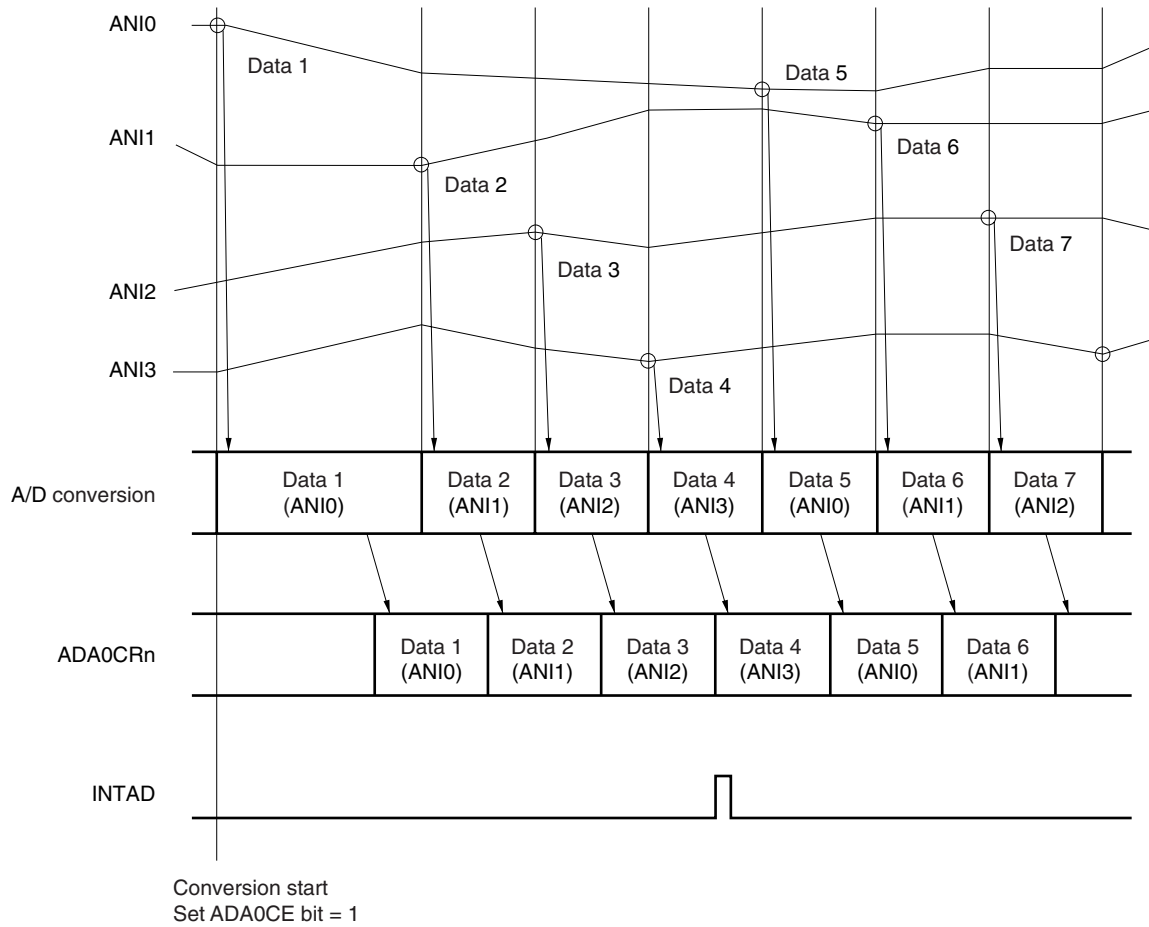
#### (2) Continuous scan mode

In this mode, analog input pins are sequentially selected, from the ANI0 pin to the pin specified by the ADA0S register, and their values are converted into digital values.

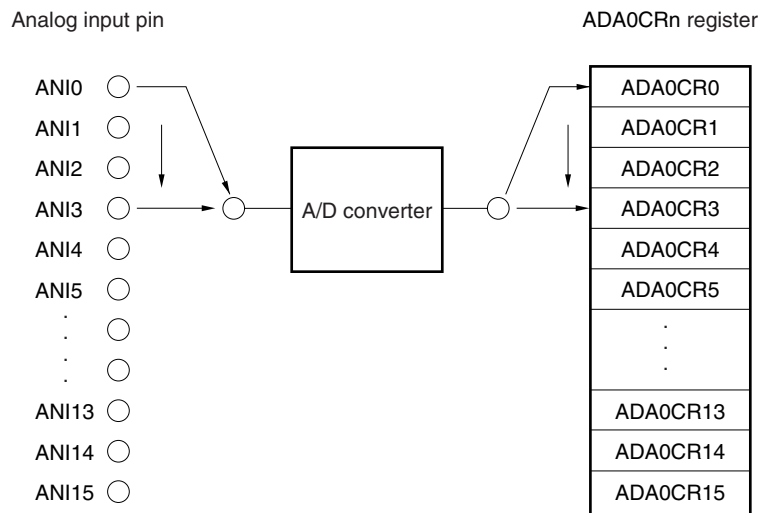
The result of each conversion is stored in the ADA0CRn register corresponding to the analog input pin. When conversion of the analog input pin specified by the ADA0S register is complete, the INTAD signal is generated, and A/D conversion is started again from the ANI0 pin, unless the ADA0CE bit is cleared to 0 ( $n = 0$  to 15).

Figure 11-4. Timing Example of Continuous Scan Mode Operation (ADA0S Register = 03H)

(a) Timing example



(b) Block diagram

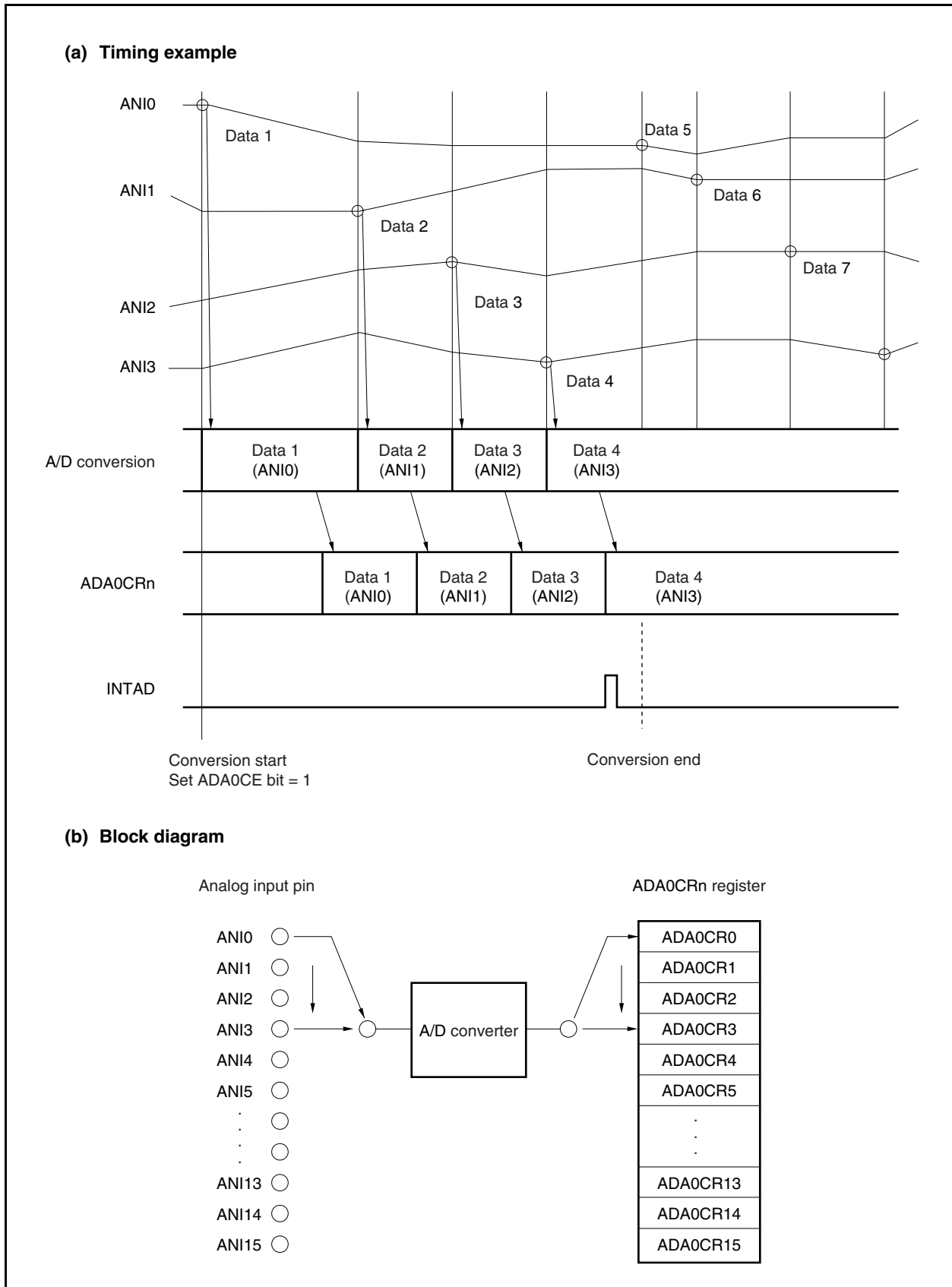


**(3) One-shot scan mode**

In this mode, analog input pins are sequentially selected, from the ANI0 pin to the pin specified by the ADA0S register, and their values are converted into digital values.

Each conversion result is stored in the ADA0CRn register corresponding to the analog input pin. When conversion of the analog input pin specified by the ADA0S register is complete, the INTAD signal is generated. A/D conversion is stopped after it has been completed (n = 0 to 15).

Figure 11-5. Timing Example of One-Shot Scan Mode Operation (ADA0S Register = 03H)





#### 11.5.4 Power-fail compare mode

The A/D conversion end interrupt request signal (INTAD) can be controlled as follows by the ADA0PFM and ADA0PFT registers.

- When the ADA0PFM.ADA0PFE bit = 0, the INTAD signal is generated each time conversion is completed (normal use of the A/D converter).
- When the ADA0PFE bit = 1 and when the ADA0PFM.ADA0PFC bit = 0, the value of the ADA0CRnH register is compared with the value of the ADA0PFT register when conversion is completed, and the INTAD signal is generated only if  $ADA0CRnH \geq ADA0PFT$ .
- When the ADA0PFE bit = 1 and when the ADA0PFC bit = 1, the value of the ADA0CRnH register is compared with the value of the ADA0PFT register when conversion is completed, and the INTAD signal is generated only if  $ADA0CRnH < ADA0PFT$ .

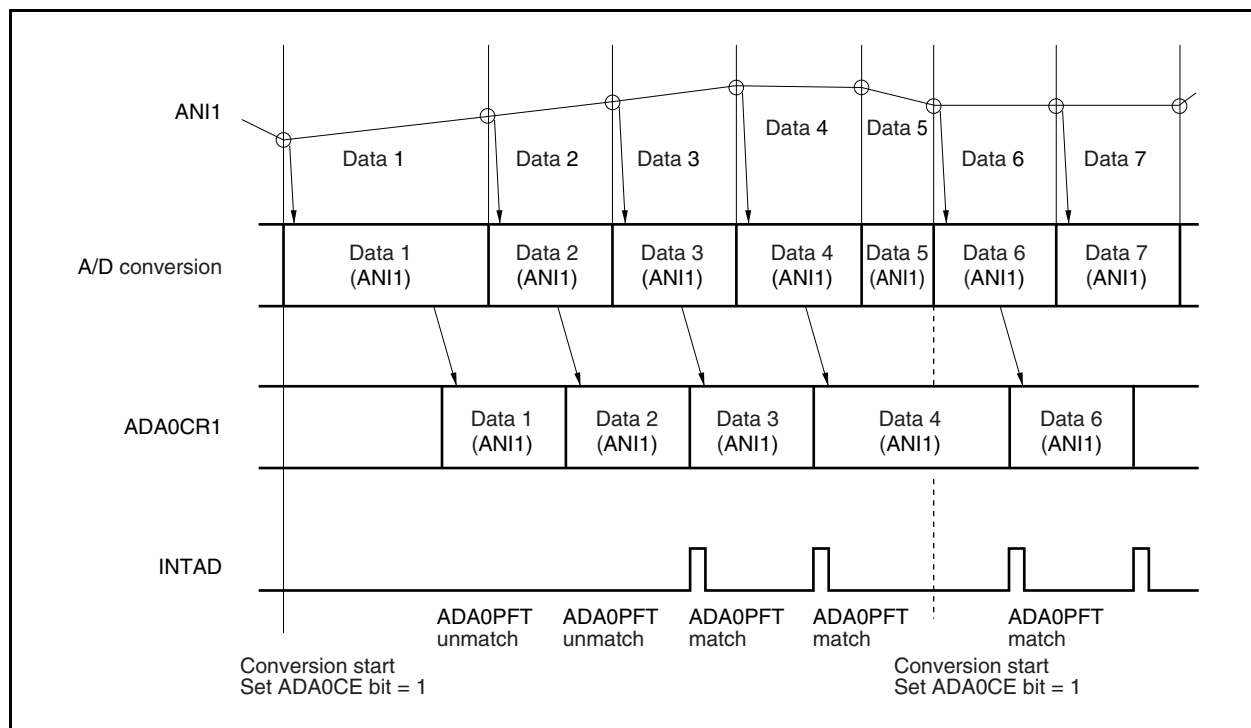
**Remark** n = 0 to 15

In the power-fail compare mode, three modes are available as modes in which to set the ANI0 to ANI15 pins: continuous select mode, continuous scan mode, and one-shot scan mode.

**(1) Continuous select mode**

In this mode, the result of converting the voltage of the analog input pin specified by the ADA0S register is compared with the set value of the ADA0PFT register. If the result of power-fail comparison matches the condition set by the ADA0PFC bit, the conversion result is stored in the ADA0CRn register, and the INTAD signal is generated. If it does not match, the conversion result is stored in the ADA0CRn register, and the INTAD signal is not generated. After completion of the first conversion, the next conversion is started, unless the ADA0M0.ADA0CE bit is cleared to 0 (n = 0 to 15).

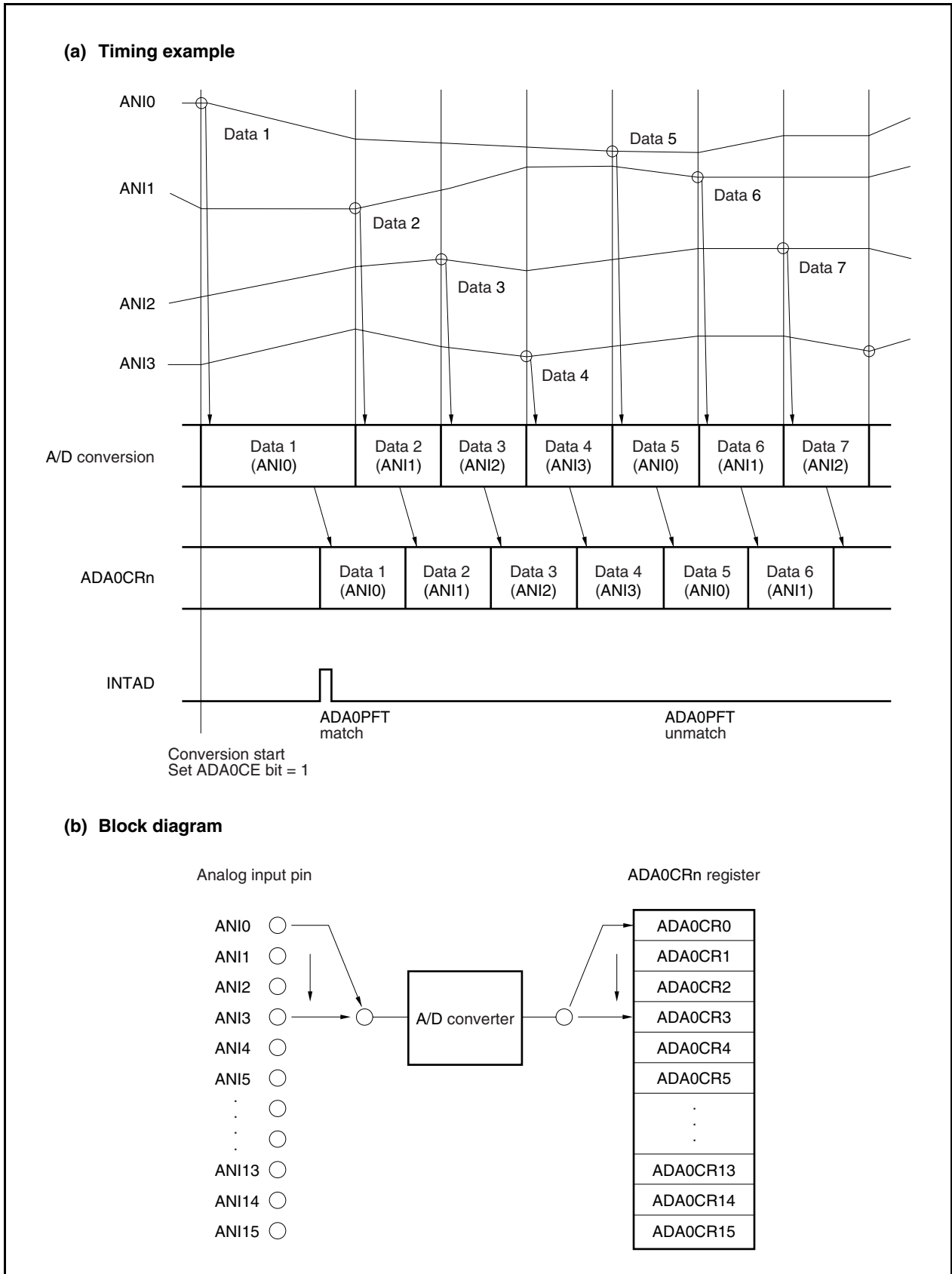
**Figure 11-6. Timing Example of Continuous Select Mode Operation**  
(When Power-Fail Comparison Is Made: ADA0S Register = 01H)

**(2) Continuous scan mode**

In this mode, the results of converting the voltages of the analog input pins sequentially selected from the ANI0 pin to the pin specified by the ADA0S register are stored, and the set value of the ADA0CR0H register of channel 0 is compared with the value of the ADA0PFT register. If the result of power-fail comparison matches the condition set by the ADA0PFC bit, the conversion result is stored in the ADA0CR0 register, and the INTAD signal is generated. If it does not match, the conversion result is stored in the ADA0CR0 register, and the INTAD signal is not generated.

After the result of the first conversion has been stored in the ADA0CR0 register, the results of sequentially converting the voltages on the analog input pins up to the pin specified by the ADA0S register are continuously stored. After completion of conversion, the next conversion is started from the ANI0 pin again, unless the ADA0CE bit is cleared to 0.

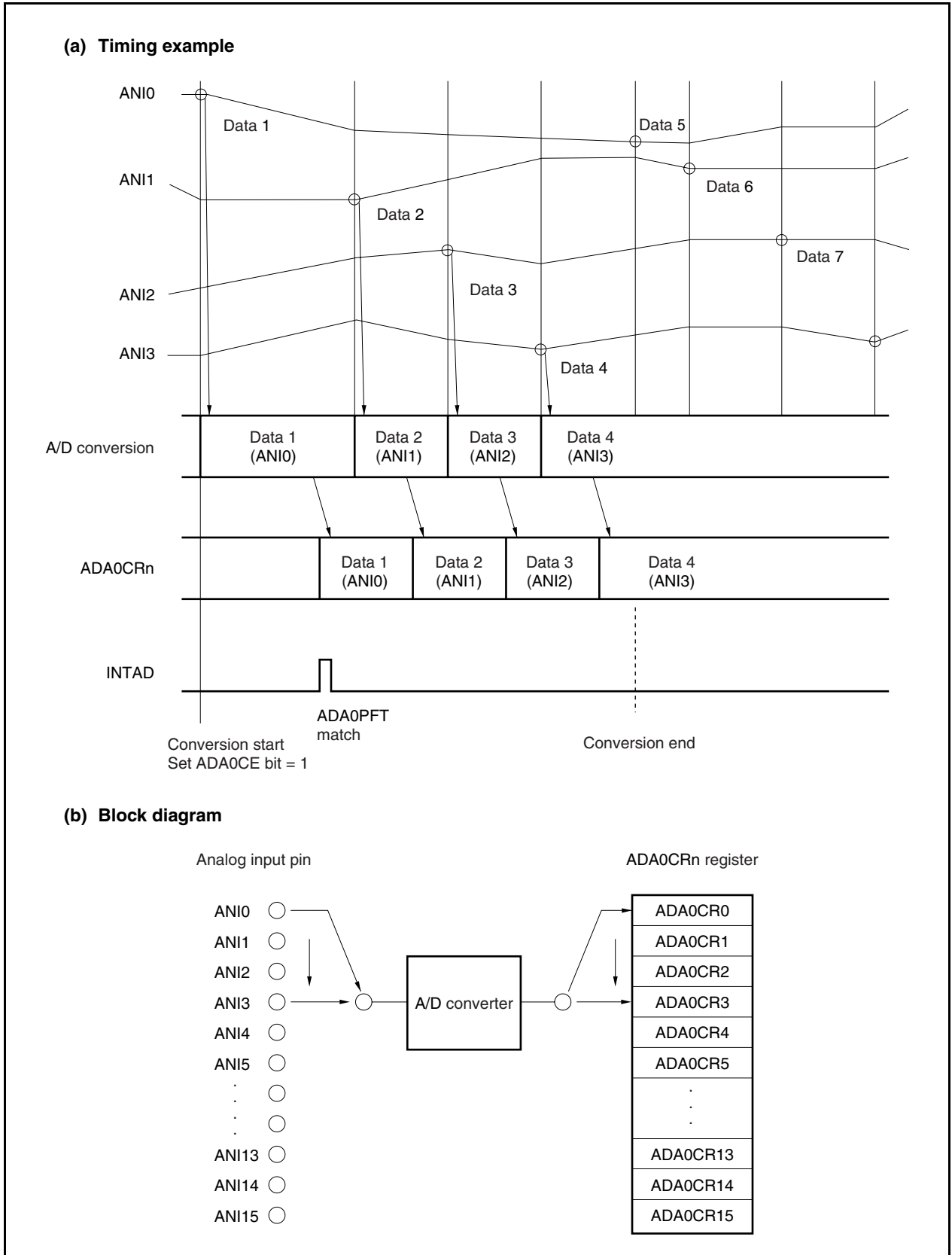
**Figure 11-7. Timing Example of Continuous Scan Mode Operation  
(When Power-Fail Comparison Is Made: ADA0S Register = 03H)**



**(3) One-shot scan mode**

In this mode, the results of converting the voltages of the analog input pins sequentially selected from the ANIO pin to the pin specified by the ADA0S register are stored, and the set value of the ADA0CR0H register of channel 0 is compared with the set value of the ADA0PFT register. If the result of power-fail comparison matches the condition set by the ADA0PFC bit, the conversion result is stored in the ADA0CR0 register and the INTAD signal is generated. If it does not match, the conversion result is stored in the ADA0CR0 register, and the INTAD0 signal is not generated. After the result of the first conversion has been stored in the ADA0CR0 register, the results of converting the signals on the analog input pins specified by the ADA0S register are sequentially stored. The conversion is stopped after it has been completed.

**Figure 11-8. Timing Example of One-Shot Scan Mode Operation  
(When Power-Fail Comparison Is Made: ADA0S Register = 03H)**



## 11.6 Cautions

### (1) When A/D converter is not used

When the A/D converter is not used, the power consumption can be reduced by clearing the ADA0M0.ADA0CE bit to 0.

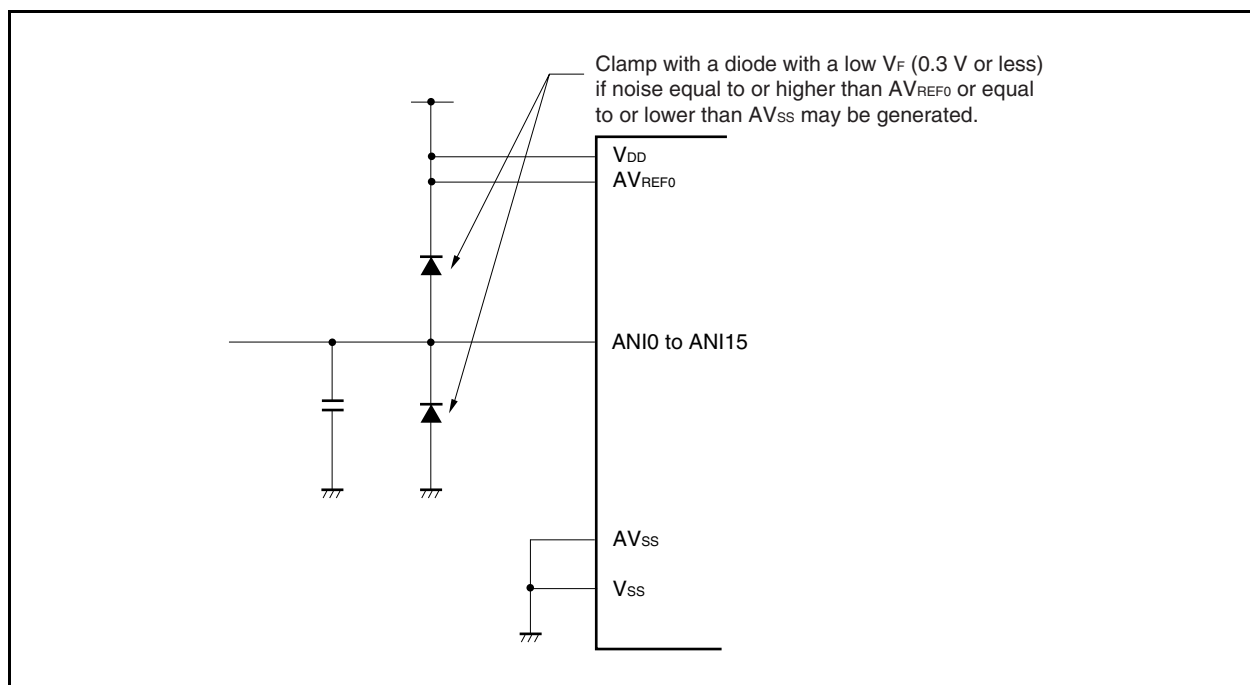
### (2) Input range of ANI0 to ANI15 pins

Input the voltage within the specified range to the ANI0 to ANI15 pins. If a voltage equal to or higher than  $AV_{REF0}$  or equal to or lower than  $AV_{SS}$  (even within the range of the absolute maximum ratings) is input to any of these pins, the conversion value of that channel is undefined, and the conversion value of the other channels may also be affected.

### (3) Countermeasures against noise

To maintain the 10-bit resolution, the ANI0 to ANI15 pins must be effectively protected from noise. The influence of noise increases as the output impedance of the analog input source becomes higher. To lower the noise, connecting an external capacitor as shown in Figure 11-9 is recommended.

Figure 11-9. Processing of Analog Input Pin



### (4) Alternate I/O

The analog input pins (ANI0 to ANI15) function alternately as port pins. When selecting one of the ANI0 to ANI15 pins to execute A/D conversion, do not execute an instruction to read an input port or write to an output port during conversion as the conversion resolution may drop.

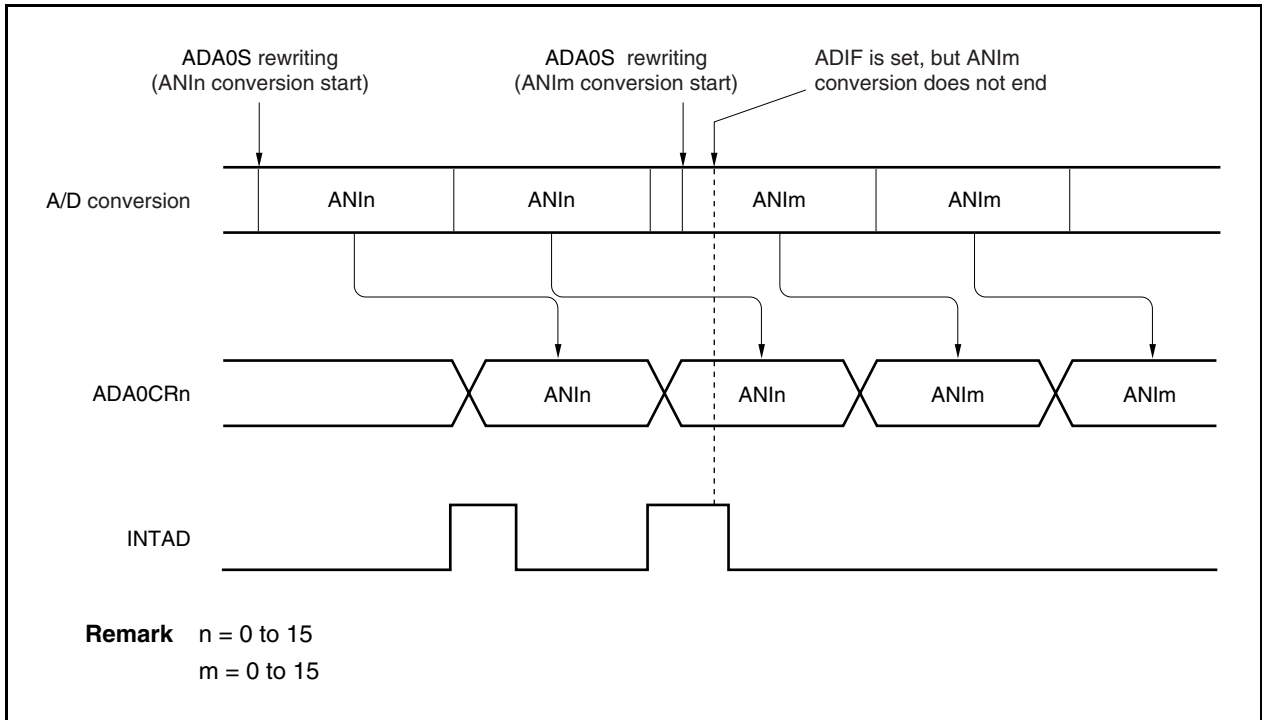
Also the conversion resolution may drop at the pins set as output port pins during A/D conversion if the current flows due to the effect of the external circuit connected to the port pins.

If a digital pulse is applied to a pin adjacent to the pin whose input signal is being converted, the A/D conversion value may not be as expected due to the influence of coupling noise. Therefore, do not apply a pulse to a pin adjacent to the pin undergoing A/D conversion.

**(5) Interrupt request flag (ADIF)**

The interrupt request flag (ADIF) is not cleared even if the contents of the ADA0S register are changed. If the analog input pin is changed during A/D conversion, therefore, the result of converting the previously selected analog input signal may be stored and the conversion end interrupt request flag may be set immediately before the ADA0S register is rewritten. If the ADIF flag is read immediately after the ADA0S register is rewritten, the ADIF flag may be set even though the A/D conversion of the newly selected analog input pin has not been completed. When A/D conversion is stopped, clear the ADIF flag before resuming conversion.

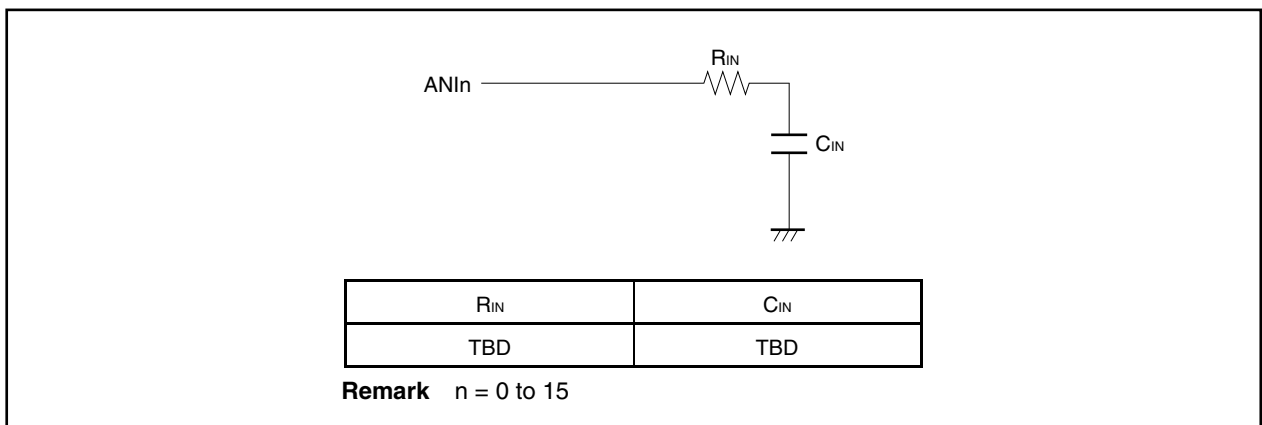
**Figure 11-10. Generation Timing of A/D Conversion End Interrupt Request**



**(6) Internal equivalent circuit**

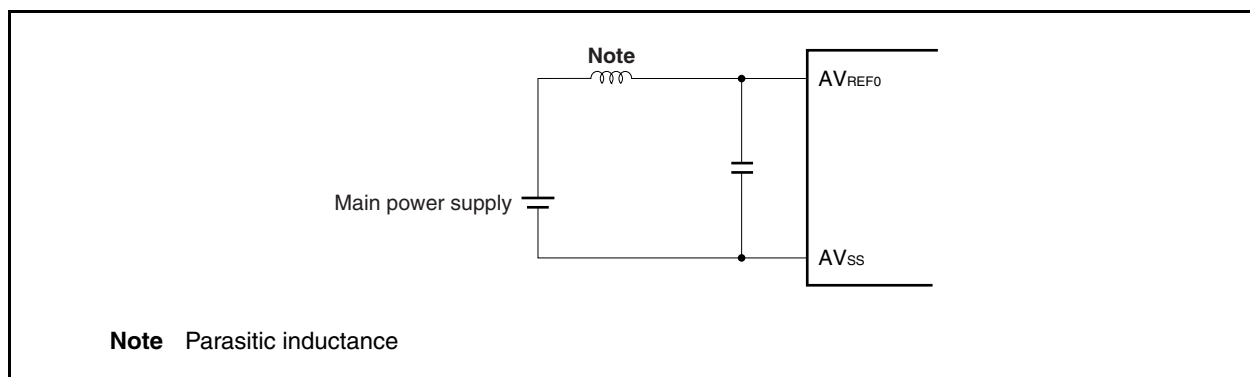
The following shows the equivalent circuit of the analog input block.

**Figure 11-11. Internal Equivalent Circuit of ANIn Pin**



**(7) AV<sub>REF0</sub> pin**

- (a) The AV<sub>REF0</sub> pin is used as the power supply pin of the A/D converter and also supplies power to the alternate-function ports. In an application where a backup power supply is used, be sure to supply the same voltage as V<sub>DD</sub> to the AV<sub>REF0</sub> pin as shown in Figure 11-12.
- (b) The AV<sub>REF0</sub> pin is also used as the reference voltage pin of the A/D converter. If the source supplying power to the AV<sub>REF0</sub> pin has a high impedance or if the power supply has a low current supply capability, the reference voltage may fluctuate due to the current that flows during conversion (especially, immediately after the conversion operation enable bit ADA0CE has been set to 1). As a result, the conversion accuracy may drop. To avoid this, it is recommended to connect a capacitor across the AV<sub>REF0</sub> and AV<sub>SS</sub> pins to suppress the reference voltage fluctuation as shown in Figure 11-12.
- (c) If the source supplying power to the AV<sub>REF0</sub> pin has a high DC resistance (for example, because of insertion of a diode), the voltage when conversion is enabled may be lower than the voltage when conversion is stopped, because of a voltage drop caused by the A/D conversion current.

**Figure 11-12. AV<sub>REF0</sub> Pin Processing Example****(8) Reading ADA0CRn result**

When the ADA0M0 to ADA0M2 or ADA0S register is written, the contents of the ADA0CRn register may be undefined. Read the conversion result after completion of conversion and before writing to the ADA0M0 to ADA0M2 and ADA0S registers. The correct conversion result may not be read at a timing different from the above.

**(9) A/D conversion result**

If there is noise at the analog input pins and at the reference voltage input pins, that noise may generate an illegal conversion result. Software processing will be needed to avoid a negative effect on the system from this illegal conversion result. An example of this software processing is shown below.

- Take the average result of a number of A/D conversions and use that as the A/D conversion result.
- Execute a number of A/D conversions consecutively and use those results, omitting any exceptional results that may have been obtained.
- If an A/D conversion result that is judged to have generated a system malfunction is obtained, be sure to recheck the system malfunction before performing malfunction processing.



**(10) Variation of A/D conversion results**

The results of the A/D conversion may vary depending on the fluctuation of the supply voltage, or may be affected by noise. To reduce the variation, take counteractive measures with the program such as averaging the A/D conversion results.

**(11) A/D conversion result hysteresis characteristics**

The successive comparison type A/D converter holds the analog input voltage in the internal sample & hold capacitor and then performs A/D conversion. After the A/D conversion has finished, the analog input voltage remains in the internal sample & hold capacitor. As a result, the following phenomena may occur.

- When the same channel is used for A/D conversions, if the voltage is higher or lower than the previous A/D conversion, then hysteresis characteristics may appear where the conversion result is affected by the previous value. Thus, even if the conversion is performed at the same potential, the result may vary.
- When switching the analog input channel, hysteresis characteristics may appear where the conversion result is affected by the previous channel value. This is because one A/D converter is used for the A/D conversions. Thus, even if the conversion is performed at the same potential, the result may vary.

## 11.7 How to Read A/D Converter Characteristics Table

This section describes the terms related to the A/D converter.

### (1) Resolution

The minimum analog input voltage that can be recognized, i.e., the ratio of an analog input voltage to 1 bit of digital output is called 1 LSB (least significant bit). The ratio of 1 LSB to the full scale is expressed as %FSR (full-scale range). %FSR is the ratio of a range of convertible analog input voltages expressed as a percentage, and can be expressed as follows, independently of the resolution.

$$\begin{aligned} 1\%FSR &= (\text{Maximum value of convertible analog input voltage} - \text{Minimum value of convertible analog input voltage})/100 \\ &= (AV_{REF0} - 0)/100 \\ &= AV_{REF0}/100 \end{aligned}$$

When the resolution is 10 bits, 1 LSB is as follows:

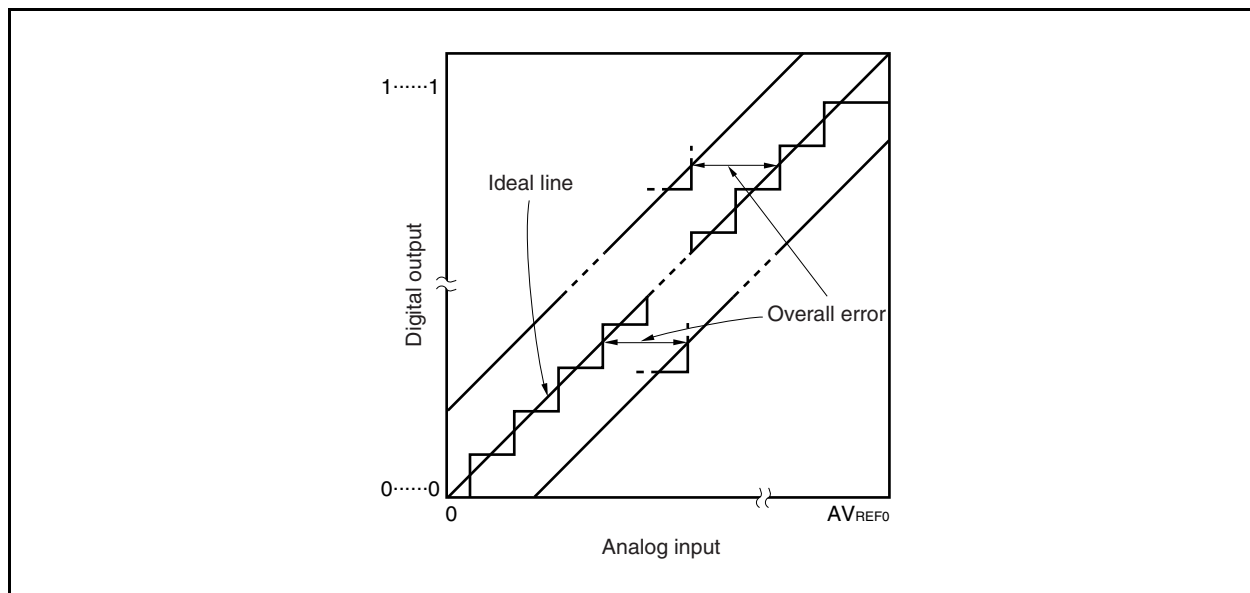
$$\begin{aligned} 1 \text{ LSB} &= 1/2^{10} = 1/1,024 \\ &= 0.098\%FSR \end{aligned}$$

The accuracy is determined by the overall error, independently of the resolution.

### (2) Overall error

This is the maximum value of the difference between an actually measured value and a theoretical value. It is a total of zero-scale error, full-scale error, linearity error, and a combination of these errors. The overall error in the characteristics table does not include the quantization error.

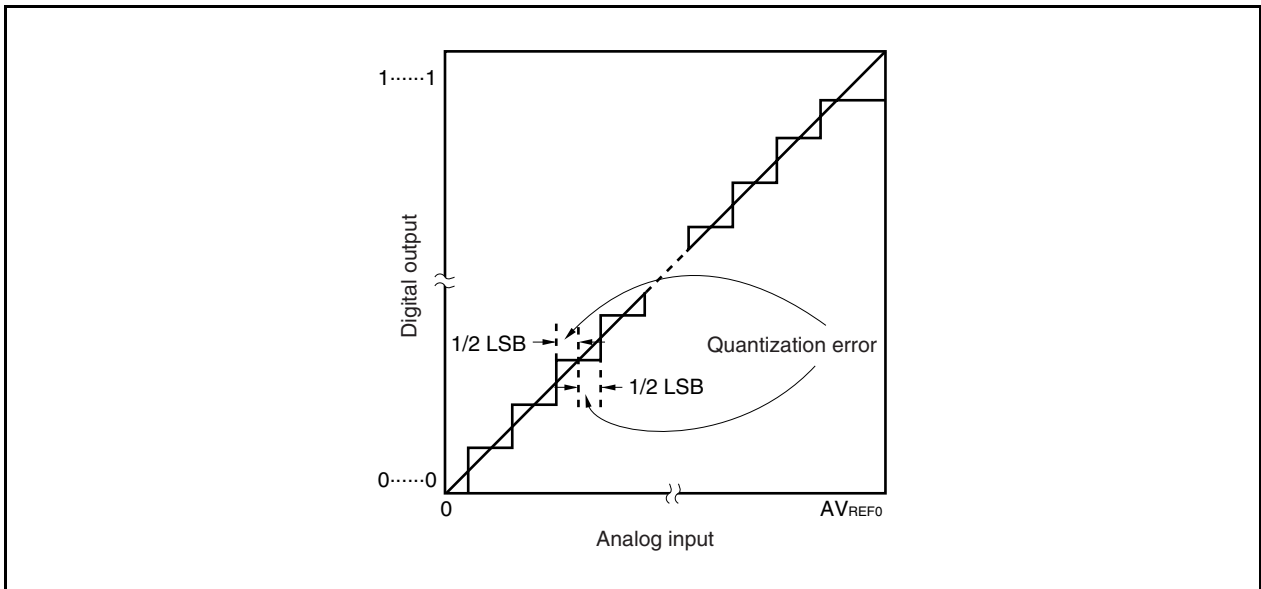
Figure 11-13. Overall Error



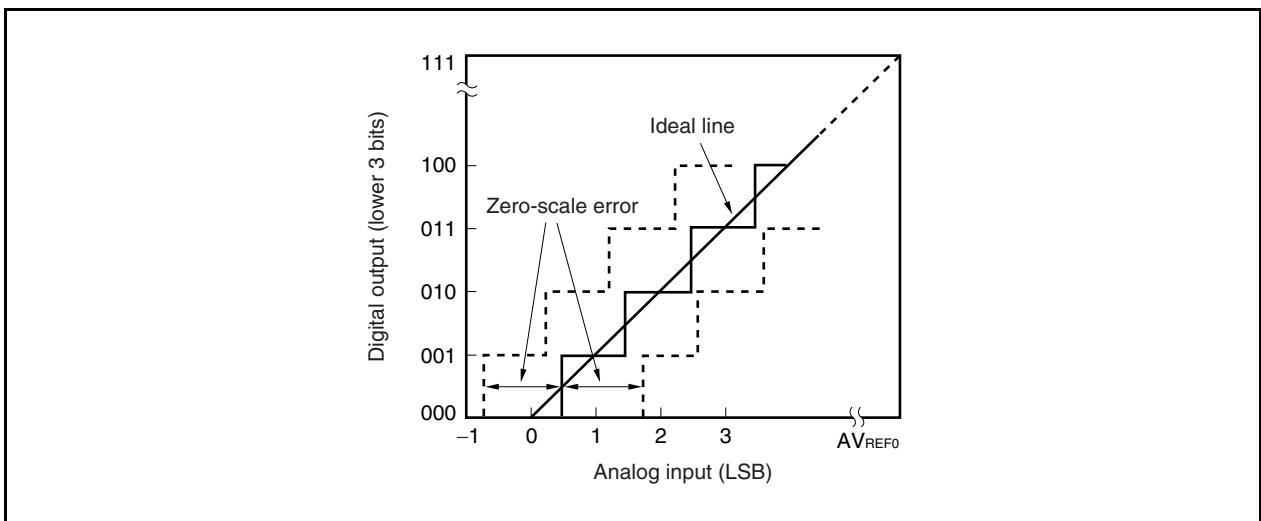
**(3) Quantization error**

This is an error of  $\pm 1/2$  LSB that inevitably occurs when an analog value is converted into a digital value. Because the A/D converter converts analog input voltages in a range of  $\pm 1/2$  LSB into the same digital codes, a quantization error is unavoidable.

This error is not included in the overall error, zero-scale error, full-scale error, integral linearity error, or differential linearity error in the characteristics table.

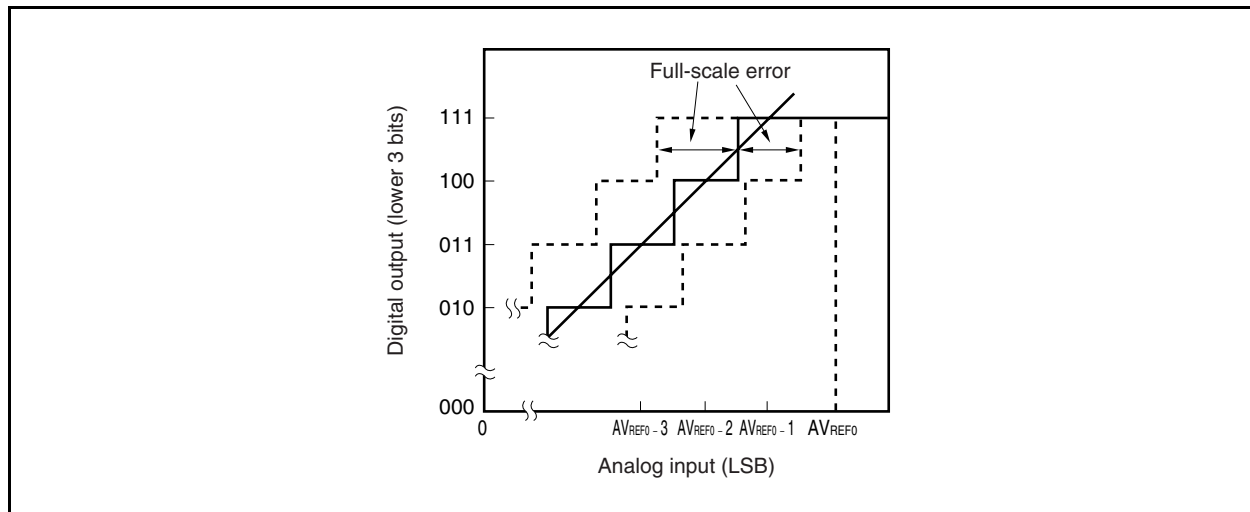
**Figure 11-14. Quantization Error****(4) Zero-scale error**

This is the difference between the actually measured analog input voltage and its theoretical value when the digital output changes from 0...000 to 0...001 ( $1/2$  LSB).

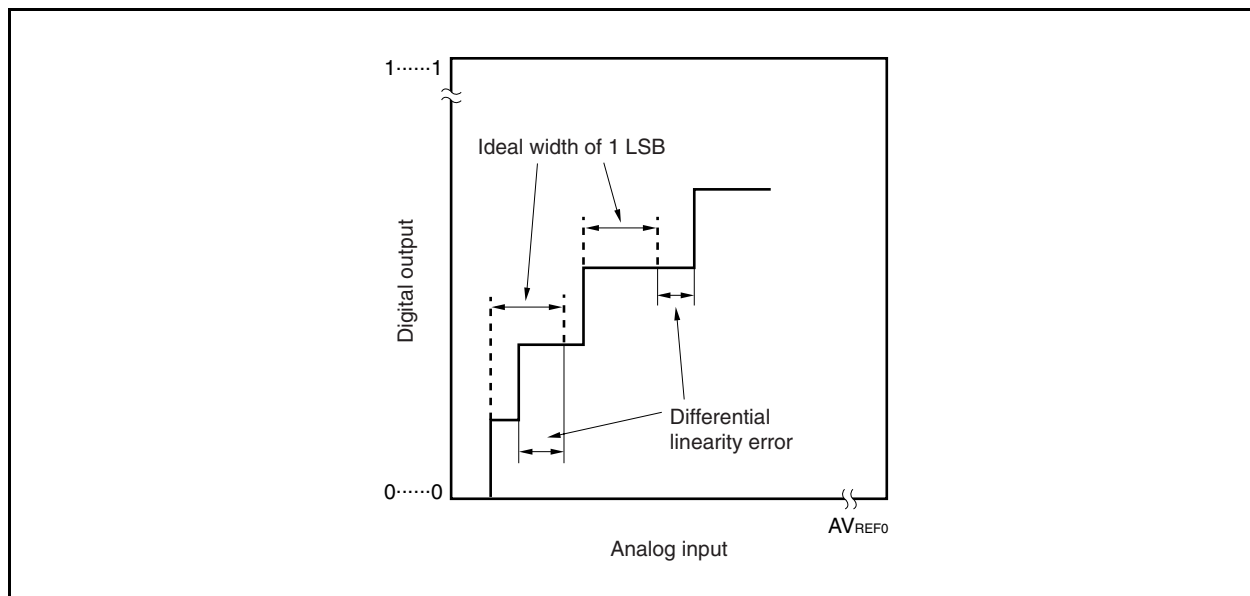
**Figure 11-15. Zero-Scale Error**

**(5) Full-scale error**

This is the difference between the actually measured analog input voltage and its theoretical value when the digital output changes from 1...110 to 1...111 (full scale – 3/2 LSB).

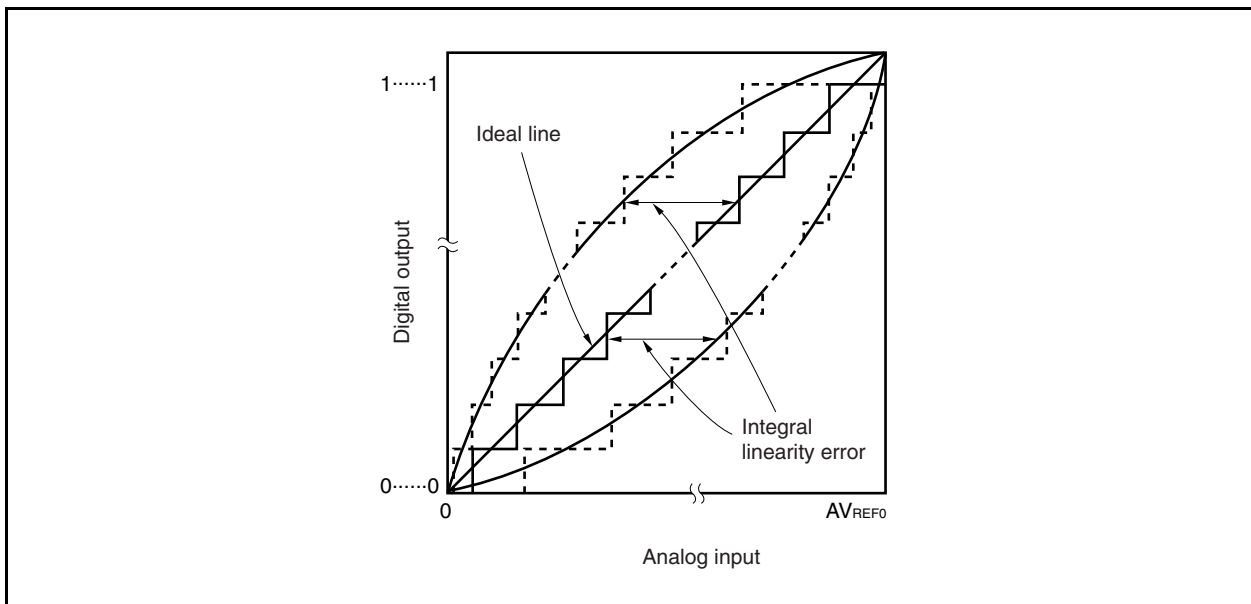
**Figure 11-16. Full-Scale Error****(6) Differential linearity error**

Ideally, the width to output a specific code is 1 LSB. This error indicates the difference between the actually measured value and its theoretical value when a specific code is output. This indicates the basic characteristics of the A/D conversion when the voltage applied to the analog input pins of the same channel is consistently increased bit by bit from  $AV_{SS}$  to  $AV_{REF0}$ . When the input voltage is increased or decreased, or when two or more channels are used, see 11.7 (2) **Overall error**.

**Figure 11-17. Differential Linearity Error**

**(7) Integral linearity error**

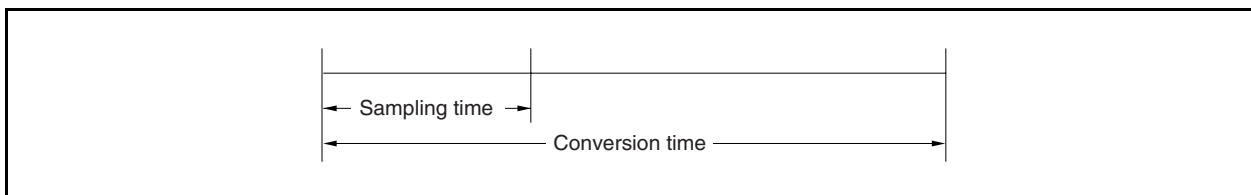
This error indicates the extent to which the conversion characteristics differ from the ideal linear relationship. It indicates the maximum value of the difference between the actually measured value and its theoretical value where the zero-scale error and full-scale error are 0.

**Figure 11-18. Integral Linearity Error****(8) Conversion time**

This is the time required to obtain a digital output after each trigger has been generated. The conversion time in the characteristics table includes the sampling time.

**(9) Sampling time**

This is the time for which the analog switch is ON to load an analog voltage to the sample & hold circuit.

**Figure 11-19. Sampling Time**

## CHAPTER 12 ASYNCHRONOUS SERIAL INTERFACE A (UARTA)

The V850ES/HG2 includes asynchronous serial interface A (UARTA).

### 12.1 Features

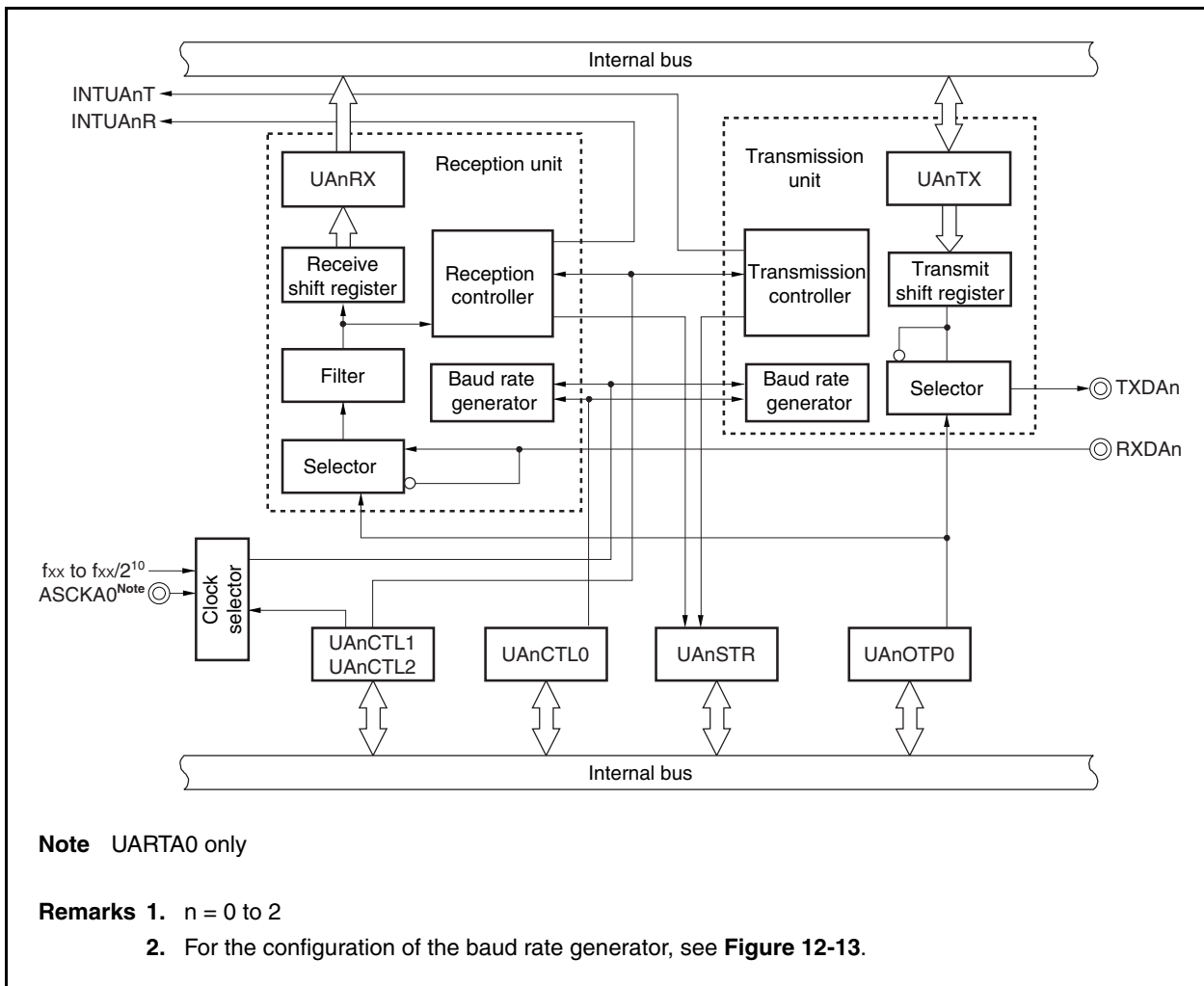
- Transfer rate: 300 bps to 312.5 kbps (using internal system clock of 20 MHz and dedicated baud rate generator)
- Full-duplex communication: Internal UARTAn receive data register (UAnRX)  
Internal UARTAn transmit data register (UAnTX)
- 2-pin configuration: TXDAn: Transmit data output pin  
RXDAn: Receive data input pin
- Reception error output function
  - Parity error
  - Framing error
  - Overrun error
- Interrupt sources: 2
  - Reception complete interrupt (INTUAnR): An interrupt is generated in the reception enabled status by ORing three types of reception errors. It is also generated when receive data is transferred from the receive shift register to the receive data register after completion of serial transfer.
  - Transmission enable interrupt (INTUAnT): This interrupt occurs upon transfer of transmit data from the transmit data register to the transmit shift register in the transmission enabled status.
- Character length: 7, 8 bits
- Parity function: Odd, even, 0, none
- Transmission stop bit: 1, 2 bits
- On-chip dedicated baud rate generator
- MSB-/LSB-first transfer selectable
- Transmit/receive data inverted input/output possible
- SBF (Sync Break Field) transmission/reception in the LIN (Local Interconnect Network) communication format possible
  - 13 to 20 bits selectable for SBF transmission
  - Recognition of 11 bits or more possible for SBF reception
  - SBF reception flag provided

**Remark** n = 0 to 2

## 12.2 Configuration

The block diagram of the UARTAn is shown below.

**Figure 12-1. Block Diagram of Asynchronous Serial Interface An**



UARTAn includes the following hardware units.

**Table 12-1. Configuration of UARTAn**

Item	Configuration
Registers	UARTAn control register 0 (UAnCTL0) UARTAn control register 1 (UAnCTL1) UARTAn control register 2 (UAnCTL2) UARTAn option control register 0 (UAnOPT0) UARTAn status register (UAnSTR) UARTAn receive shift register UARTAn receive data register (UAnRX) UARTAn transmit shift register UARTAn transmit data register (UAnTX)

**(1) UARTAn control register 0 (UAnCTL0)**

The UAnCTL0 register is an 8-bit register used to specify the UARTAn operation.

**(2) UARTAn control register 1 (UAnCTL1)**

The UAnCTL1 register is an 8-bit register used to select the input clock for the UARTAn.

**(3) UARTAn control register 2 (UAnCTL2)**

The UAnCTL2 register is an 8-bit register used to control the baud rate for the UARTAn.

**(4) UARTAn option control register 0 (UAnOPT0)**

The UAnOPT0 register is an 8-bit register used to control serial transfer for the UARTAn.

**(5) UARTAn status register (UAnSTR)**

The UAnSTRn register consists of flags indicating the error contents when a reception error occurs. Each one of the reception error flags is set (to 1) upon occurrence of a reception error and is reset (to 0) by reading the UAnSTR register.

**(6) UARTAn receive shift register**

This is a shift register used to convert the serial data input to the RXDAn pin into parallel data. Upon reception of 1 byte of data and detection of the stop bit, the receive data is transferred to the UAnRX register.

This register cannot be manipulated directly.

**(7) UARTAn receive data register (UAnRX)**

The UAnRX register is an 8-bit register that holds receive data. When 7 characters are received, 0 is stored in the highest bit (when data is received LSB first).

In the reception enabled status, receive data is transferred from the UARTAn receive shift register to the UAnRX register in synchronization with the completion of shift-in processing of 1 frame.

Transfer to the UAnRX register also causes the reception complete interrupt request signal (INTUAnR) to be output.

**(8) UARTAn transmit shift register**

The transmit shift register is a shift register used to convert the parallel data transferred from the UAnTX register into serial data.

When 1 byte of data is transferred from the UAnTX register, the shift register data is output from the TXDAn pin.

This register cannot be manipulated directly.

**(9) UARTAn transmit data register (UAnTX)**

The UAnTX register is an 8-bit transmit data buffer. Transmission starts when transmit data is written to the UAnTX register. When data can be written to the UAnTX register (when data of one frame is transferred from the UAnTX register to the UARTAn transmit shift register), the transmission enable interrupt request signal (INTUAnT) is generated.



## 12.3 Registers

### (1) UARTAn control register 0 (UAnCTL0)

The UAnCTL0 register is an 8-bit register that controls the UARTAn serial transfer operation.

This register can be read or written in 8-bit or 1-bit units.

Reset sets this register to 10H.

(1/2)

After reset: 10H    R/W    Address: UA0CTL0 FFFFFFFA00H, UA1CTL0 FFFFFFFA10H, UA2CTL0 FFFFFFFA20H								
	7	6	5	4	3	2	1	0
UAnCTL0 (n = 0 to 2)	UAnPWR	UAnTXE	UAnRXE	UAnDIR	UAnPS1	UAnPS0	UAnCL	UAnSL
UAnPWR	UARTAn operation control							
0	Disable UARTAn operation (UARTAn reset asynchronously)							
1	Enable UARTAn operation							
The UARTAn operation is controlled by the UAnPWR bit. The TXDAn pin output is fixed to high level by clearing the UAnPWR bit to 0 (fixed to low level if UAnOPT0.UAnTDL bit = 1).								
UAnTXE	Transmission operation enable							
0	Disable transmission operation							
1	Enable transmission operation							
<ul style="list-style-type: none"> <li>To start transmission, set the UAnPWR bit to 1 and then set the UAnTXE bit to 1. To stop, transmission clear the UAnTXE bit to 0 and then UAnPWR bit to 0.</li> <li>To initialize the transmission unit, clear the UAnTXE bit to 0, wait for two cycles of the base clock, and then set the UAnTXE bit to 1 again. Otherwise, initialization may not be executed (for the base clock, see <b>12.6 (1) (a) Base clock</b>).</li> </ul>								
UAnRXE	Reception operation enable							
0	Disable reception operation							
1	Enable reception operation							
<ul style="list-style-type: none"> <li>To start reception, set the UAnPWR bit to 1 and then set the UAnRXE bit to 1. To stop reception, clear the UAnRXE bit to 0 and then UAnPWR bit to 0.</li> <li>To initialize the reception unit, clear the UAnRXE bit to 0, wait for two periods of the base clock, and then set the UAnRXE bit to 1 again. Otherwise, initialization may not be executed (for the base clock, see <b>12.6 (1) (a) Base clock</b>).</li> </ul>								

UAnDIR	Transfer direction selection
0	MSB-first transfer
1	LSB-first transfer

This register can be rewritten only when the UAnPWR bit = 0 or the UAnTXE bit = the UAnRXE bit = 0.

UAnPS1	UAnPS0	Parity selection during transmission	Parity selection during reception
0	0	No parity output	Reception with no parity
0	1	0 parity output	Reception with 0 parity
1	0	Odd parity output	Odd parity check
1	1	Even parity output	Even parity check

- This register is rewritten only when the UAnPWR bit = 0 or the UAnTXE bit = the UAnRXE bit = 0.
- If "Reception with 0 parity" is selected during reception, a parity check is not performed. Therefore, the UAnSTR.UAnPE bit is not set.
- When transmission and reception are performed in the LIN format, clear the UAnPS1 and UAnPS0 bits to 00.

UAnCL	Specification of data character length of 1 frame of transmit/receive data
0	7 bits
1	8 bits

This register can be rewritten only when the UAnPWR bit = 0 or the UAnTXE bit = the UAnRXE bit = 0.

UAnSL	Specification of length of stop bit for transmit data
0	1 bit
1	2 bits

This register can be rewritten only when the UAnPWR bit = 0 or the UAnTXE bit = the UAnRXE bit = 0.

**Remark** For details of parity, see **12.5.9 Parity types and operations**.

**(2) UARTAn control register 1 (UAnCTL1)**

For details, see 12.6 (2) **UARTAn control register 1 (UAnCTL1)**.

**(3) UARTAn control register 2 (UAnCTL2)**

For details, see 12.6 (3) **UARTAn control register 2 (UAnCTL2)**.

**(4) UARTAn option control register 0 (UAnOPT0)**

The UAnOPT0 register is an 8-bit register that controls the serial transfer operation of the UARTAn register.

This register can be read or written in 8-bit or 1-bit units.

Reset sets this register to 14H.

(1/2)

After reset: 14H		R/W	Address: UA0OPT0 FFFFFFFA03H, UA1OPT0 FFFFFFFA13H, UA2OPT0 FFFFFFFA23H					
UAnOPT0 (n = 0 to 2)	7	6	5	4	3	2	1	0
	UAnSRF	UAnSRT	UAnSTT	UAnSLS2	UAnSLS1	UAnSLS0	UAnTDL	UAnRDL
UAnSRF		SBF reception flag						
0	When the UAnCTL0.UAnPWR bit = UAnCTL0.UAnRXE bit = 0 are set. Also upon normal end of SBF reception.							
1	During SBF reception							
<ul style="list-style-type: none"> <li>• SBF (Sync Break Field) reception is judged during LIN communication.</li> <li>• The UAnSRF bit is held at 1 when an SBF reception error occurs, and then SBF reception is started again.</li> </ul>								
UAnSRT		SBF reception trigger						
0	-							
1	SBF reception trigger							
<ul style="list-style-type: none"> <li>• This is the SBF reception trigger bit during LIN communication, and when read, "0" is always read. For SBF reception, set the UAnSRT bit (to 1) to enable SBF reception.</li> <li>• Set the UAnSRT bit after setting the UAnPWR bit = UAnRXE bit = 1.</li> </ul>								
UAnSTT		SBF transmission trigger						
0	-							
1	SBF transmission trigger							
<ul style="list-style-type: none"> <li>• This is the SBF transmission trigger bit during LIN communication, and when read, "0" is always read.</li> <li>• Set the UAnSTT bit after setting the UAnPWR bit = UAnTXE bit = 1.</li> </ul>								
<b>Caution Do not set the UAnSRT and UAnSTT bits (to 1) during SBF reception (UAnSRF bit = 1).</b>								

UAnSLS2	UAnSLS1	UAnSLS0	SBF transmit length selection
1	0	1	13-bit output (reset value)
1	1	0	14-bit output
1	1	1	15-bit output
0	0	0	16-bit output
0	0	1	17-bit output
0	1	0	18-bit output
0	1	1	19-bit output
1	0	0	20-bit output

This register can be set when the UAnPWR bit = 0 or when the UAnTXE bit = 0.

UAnTDL	Transmit data level bit
0	Normal output of transfer data
1	Inverted output of transfer data

- The output level of the TXDAn pin can be inverted using the UAnTDL bit.
- This register can be set when the UAnPWR bit = 0 or when the UAnTXE bit = 0.

UAnRDL	Receive data level bit
0	Normal input of transfer data
1	Inverted input of transfer data

- The input level of the RXDAn pin can be inverted using the UAnRDL bit.
- This register can be set when the UAnPWR bit = 0 or the UAnRXE bit = 0.

#### (5) UARTAn status register (UAnSTR)

The UAnSTR register is an 8-bit register that displays the UARTAn transfer status and reception error contents. This register can be read or written in 8-bit or 1-bit units, but the UAnTSF bit is a read-only bit, while the UAnPE, UAnFE, and UAnOVE bits can both be read and written. However, these bits can only be cleared by writing 0; they cannot be set by writing 1 (even if 1 is written to them, the value is retained).

The initialization conditions are shown below.

Register/Bit	Initialization Conditions
UAnSTR register	<ul style="list-style-type: none"> <li>• Reset</li> <li>• UAnCTL0.UAnPWR = 0</li> </ul>
UAnTSF bit	<ul style="list-style-type: none"> <li>• UAnCTL0.UAnTXE = 0</li> </ul>
UAnPE, UAnFE, UAnOVE bits	<ul style="list-style-type: none"> <li>• 0 write</li> <li>• UAnCTL0.UAnRXE = 0</li> </ul>

After reset: 00H R/W Address: UA0STR FFFFFFFA04H, UA1STR FFFFFFFA14H,  
UA2STR FFFFFFFA24H

	7	6	5	4	3	2	1	0
UAnSTR (n = 0 to 2)	UAnTSF	0	0	0	0	UAnPE	UAnFE	UAnOVE

UAnTSF	Transfer status flag
0	<ul style="list-style-type: none"> <li>When the UAnPWR bit = 0 or the UAnTXE bit = 0 has been set.</li> <li>When, following transfer completion, there was no next data transfer from UAnTX register</li> </ul>
1	Write to UAnTX register
<p>The UAnTSF bit is always 1 when performing continuous transmission. When initializing the transmission unit, check that the UAnTSF bit = 0 before performing initialization. The transmit data is not guaranteed when initialization is performed while the UAnTSF bit = 1.</p>	

UAnPE	Parity error flag
0	<ul style="list-style-type: none"> <li>When the UAnPWR bit = 0 or the UAnRXE bit = 0 has been set.</li> <li>When 0 has been written</li> </ul>
1	When parity of data and parity bit do not match during reception.
<ul style="list-style-type: none"> <li>The operation of the UAnPE bit is controlled by the settings of the UAnCTL0.UAnPS1 and UAnCTL0.UAnPS0 bits.</li> <li>The UAnPE bit can be read and written, but it can only be cleared by writing 0 to it, and it cannot be set by writing 1 to it. When 1 is written to this bit, the value is retained.</li> </ul>	

UAnFE	Framing error flag
0	<ul style="list-style-type: none"> <li>When the UAnPWR bit = 0 or the UAnRXE bit = 0 has been set</li> <li>When 0 has been written</li> </ul>
1	When no stop bit is detected during reception
<ul style="list-style-type: none"> <li>Only the first bit of the receive data stop bits is checked, regardless of the value of the UAnCTL0.UAnSL bit.</li> <li>The UAnFE bit can be both read and written, but it can only be cleared by writing 0 to it, and it cannot be set by writing 1 to it. When 1 is written to this bit, the value is retained.</li> </ul>	

UAnOVE	Overrun error flag
0	<ul style="list-style-type: none"> <li>When the UAnPWR bit = 0 or the UAnRXE bit = 0 has been set.</li> <li>When 0 has been written</li> </ul>
1	When receive data has been set to the UAnRX register and the next receive operation is completed before that receive data has been read
<ul style="list-style-type: none"> <li>When an overrun error occurs, the data is discarded without the next receive data being written to the receive buffer.</li> <li>The UAnOVE bit can be both read and written, but it can only be cleared by writing 0 to it. When 1 is written to this bit, the value is retained.</li> </ul>	

**(6) UARTAn receive data register (UAnRX)**

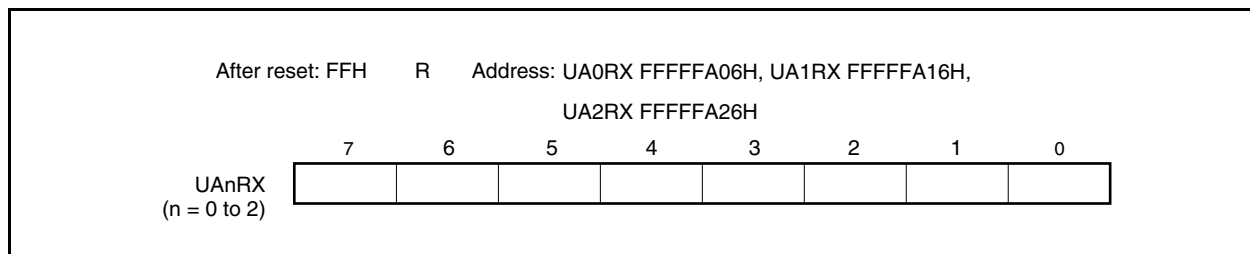
The UAnRX register is an 8-bit buffer register that stores parallel data converted by the receive shift register. The data stored in the receive shift register is transferred to the UAnRX register upon completion of reception of 1 byte of data.

During LSB-first reception when the data length has been specified as 7 bits, the receive data is transferred to bits 6 to 0 of the UAnRX register and the MSB always becomes 0. During MSB-first reception, the receive data is transferred to bits 7 to 1 of the UAnRX register and the LSB always becomes 0.

When an overrun error (UAnOVE) occurs, the receive data at this time is not transferred to the UAnRX register and is discarded.

This register is read-only, in 8-bit units.

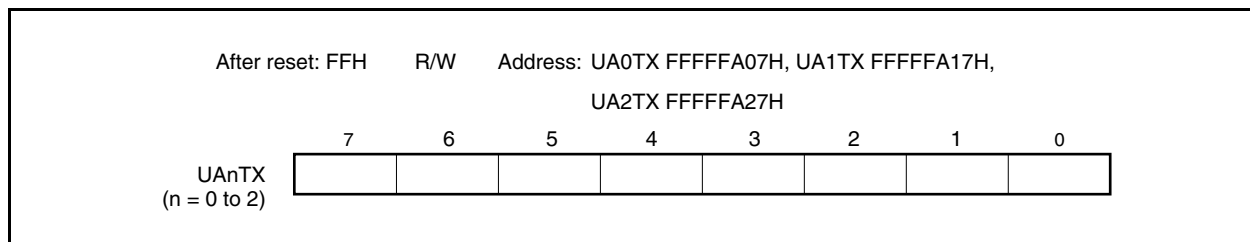
In addition to reset input, the UAnRX register can be set to FFH by clearing the UAnCTL0.UAnPWR bit to 0.

**(7) UARTAn transmit data register (UAnTX)**

The UAnTX register is an 8-bit register used to set transmit data.

This register can be read or written in 8-bit units.

Reset sets this register to FFH.



## 12.4 Interrupt Request Signals

The following two interrupt request signals are generated from UARTAn.

- Reception complete interrupt request signal (INTUAnR)
- Transmission enable interrupt request signal (INTUAnT)

The default priority for these two interrupt request signals is reception complete interrupt request signal then transmission enable interrupt request signal.

**Table 12-2. Interrupts and Their Default Priorities**

Interrupt	Priority
Reception complete	High
Transmission enable	Low

### (1) Reception complete interrupt request signal (INTUAnR)

A reception complete interrupt request signal is output when data is shifted into the receive shift register and transferred to the UAnRX register in the reception enabled status.

When a reception complete interrupt request signal is received and the data is read, read the UAnSTR register and check that the reception result is not an error.

No reception complete interrupt request signal is generated in the reception disabled status.

### (2) Transmission enable interrupt request signal (INTUAnT)

If transmit data is transferred from the UAnTX register to the UARTAn transmit shift register with transmission enabled, the transmission enable interrupt request signal is generated.

## 12.5 Operation

### 12.5.1 Data format

Full-duplex serial data reception and transmission is performed.

As shown in Figure 12-2, one data frame of transmit/receive data consists of a start bit, character bits, parity bit, and stop bit(s).

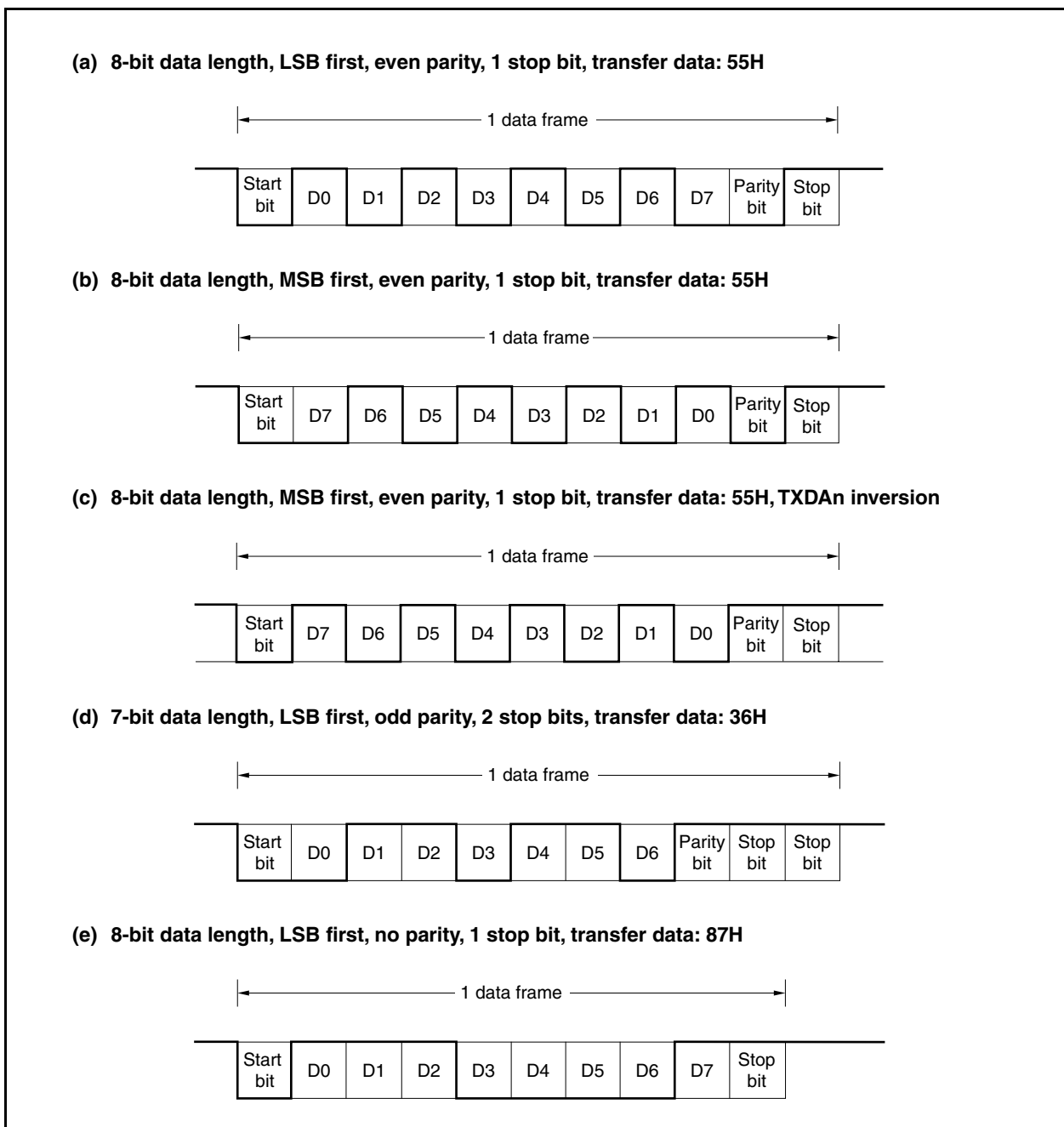
Specification of the character bit length within 1 data frame, parity selection, specification of the stop bit length, and specification of MSB/LSB-first transfer are performed using the UAnCTL0 register.

Moreover, control of UART output/inverted output for the TXDAn bit is performed using the UAnOPT0.UAnTDL bit.

- Start bit..... 1 bit
- Character bits ..... 7 bits/8 bits
- Parity bit ..... Even parity/odd parity/0 parity/no parity
- Stop bit ..... 1 bit/2 bits



Figure 12-2. UARTA Transmit/Receive Data Format



### 12.5.2 SBF transmission/reception format

The V850ES/HG2 has an SBF (Sync Break Field) transmission/reception control function to enable use of the LIN function.

**Remark** LIN stands for Local Interconnect Network and is a low-speed (1 to 20 kbps) serial communication protocol intended to aid the cost reduction of an automotive network.

LIN communication is single-master communication, and up to 15 slaves can be connected to one master.

The LIN slaves are used to control the switches, actuators, and sensors, and these are connected to the LIN master via the LIN network.

Normally, the LIN master is connected to a network such as CAN (Controller Area Network).

In addition, the LIN bus uses a single-wire method and is connected to the nodes via a transceiver that complies with ISO9141.

In the LIN protocol, the master transmits a frame with baud rate information and the slave receives it and corrects the baud rate error. Therefore, communication is possible when the baud rate error in the slave is  $\pm 15\%$  or less.

Figures 12-3 and 12-4 outline the transmission and reception manipulations of LIN.

**Figure 12-3. LIN Transmission Manipulation Outline**

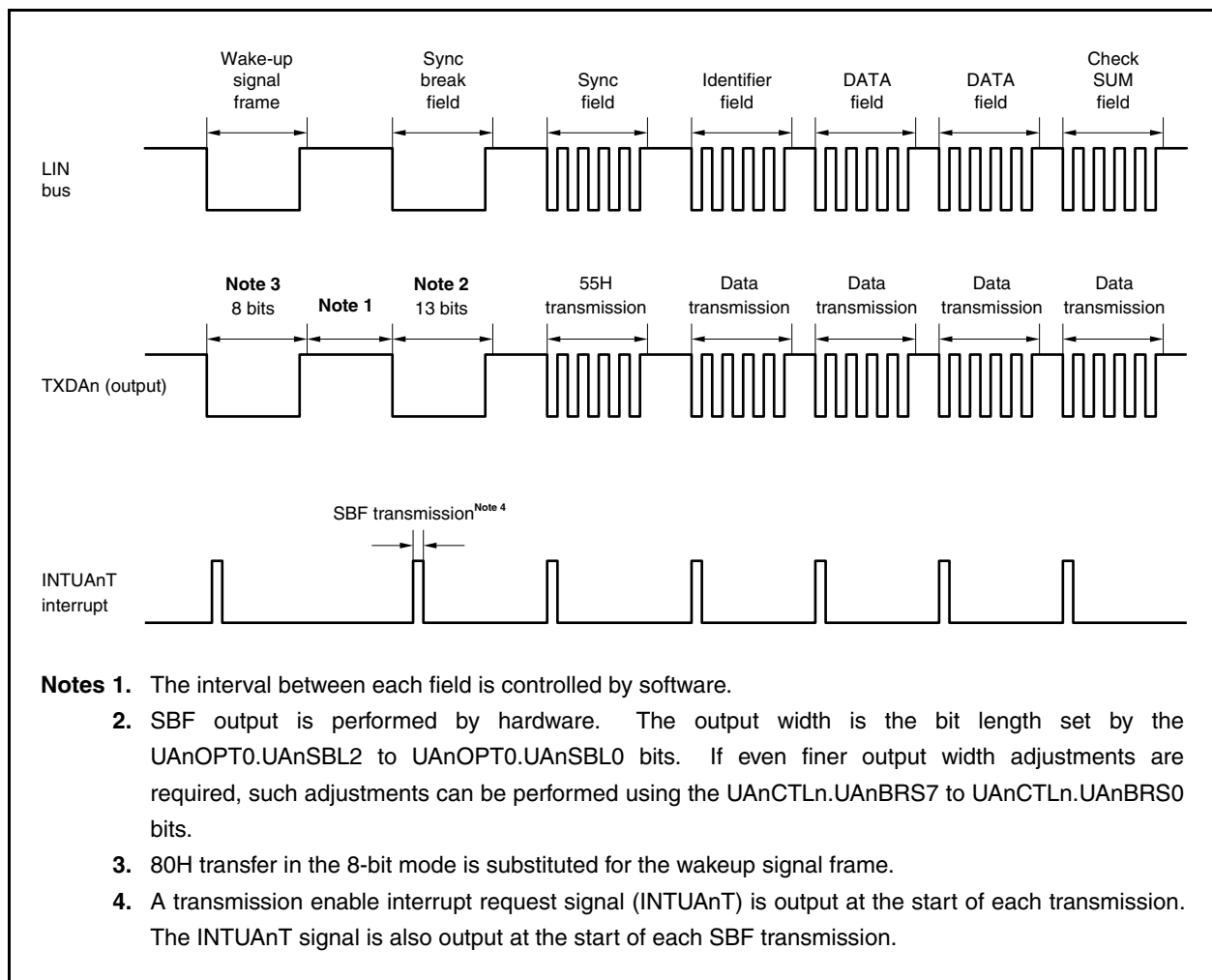
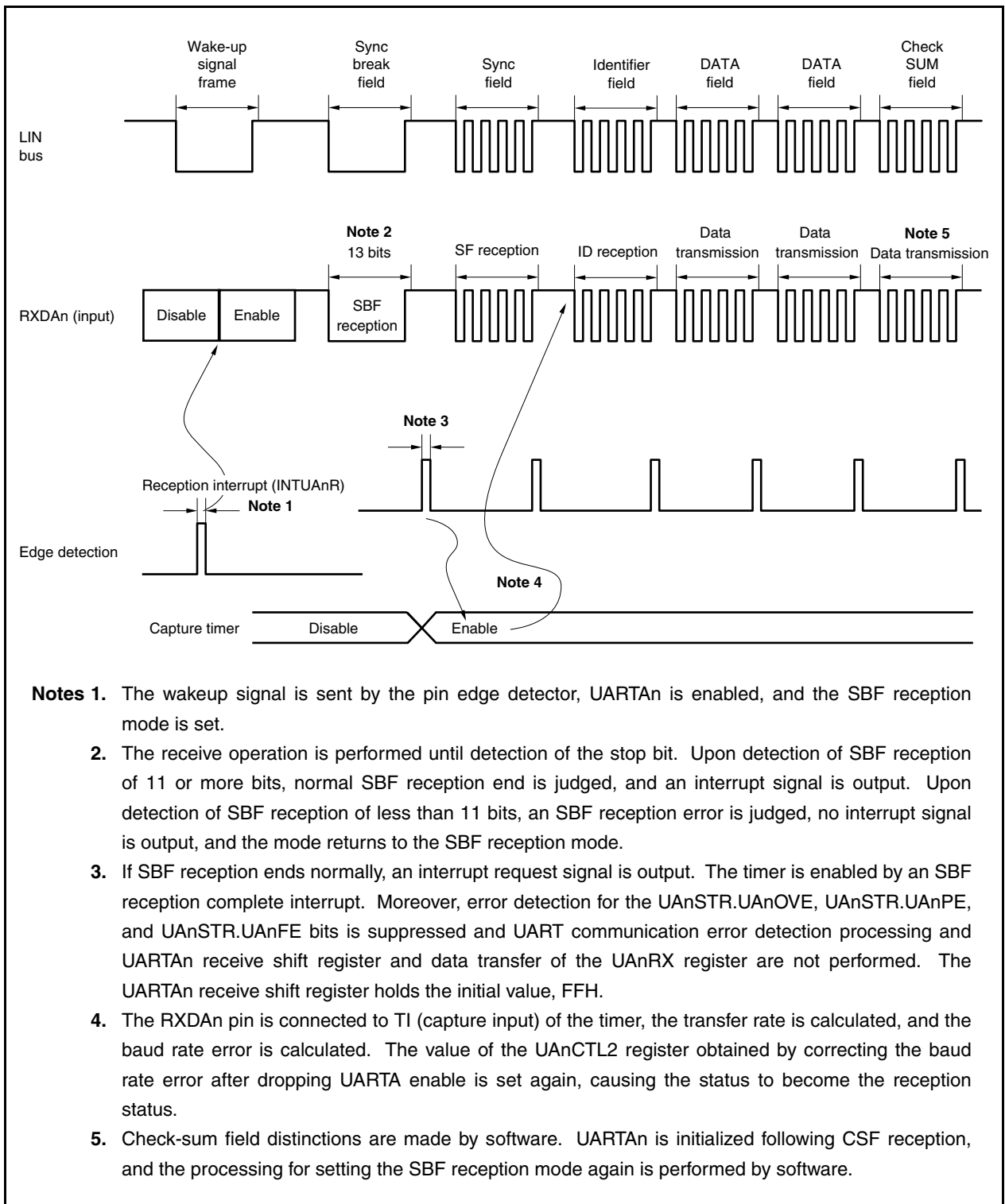


Figure 12-4. LIN Reception Manipulation Outline



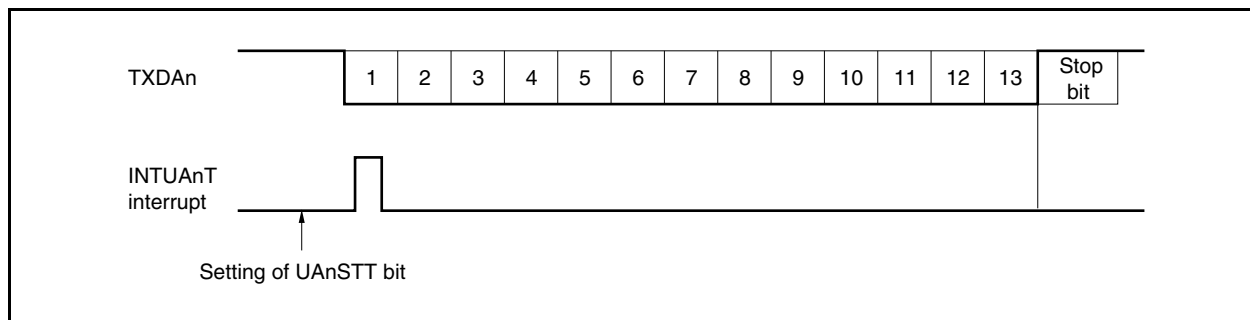
### 12.5.3 SBF transmission

When the UAnCTL0.UAnPWR bit = UAnCTL0.UAnTXE bit = 1, the transmission enabled status is entered, and SBF transmission is started by setting (to 1) the SBF transmission trigger (UAnOPT0.UAnSTT bit).

Thereafter, a low level the width of bits 13 to 20 specified by the UAnOPT0.UAnSLS2 to UAnOPT0.UAnSLS0 bits is output. A transmission enable interrupt request signal (INTUAnT) is generated upon SBF transmission start. Following the end of SBF transmission, the UAnSTT bit is automatically cleared. Thereafter, the UART transmission mode is restored.

Transmission is suspended until the data to be transmitted next is written to the UAnTX register, or until the SBF transmission trigger (UAnSTT bit) is set.

Figure 12-5. SBF Transmission



### 12.5.4 SBF reception

The reception enabled status is achieved by setting the UAnCTL0.UAnPWR bit to 1 and then setting the UAnCTL0.UAnRXE bit to 1.

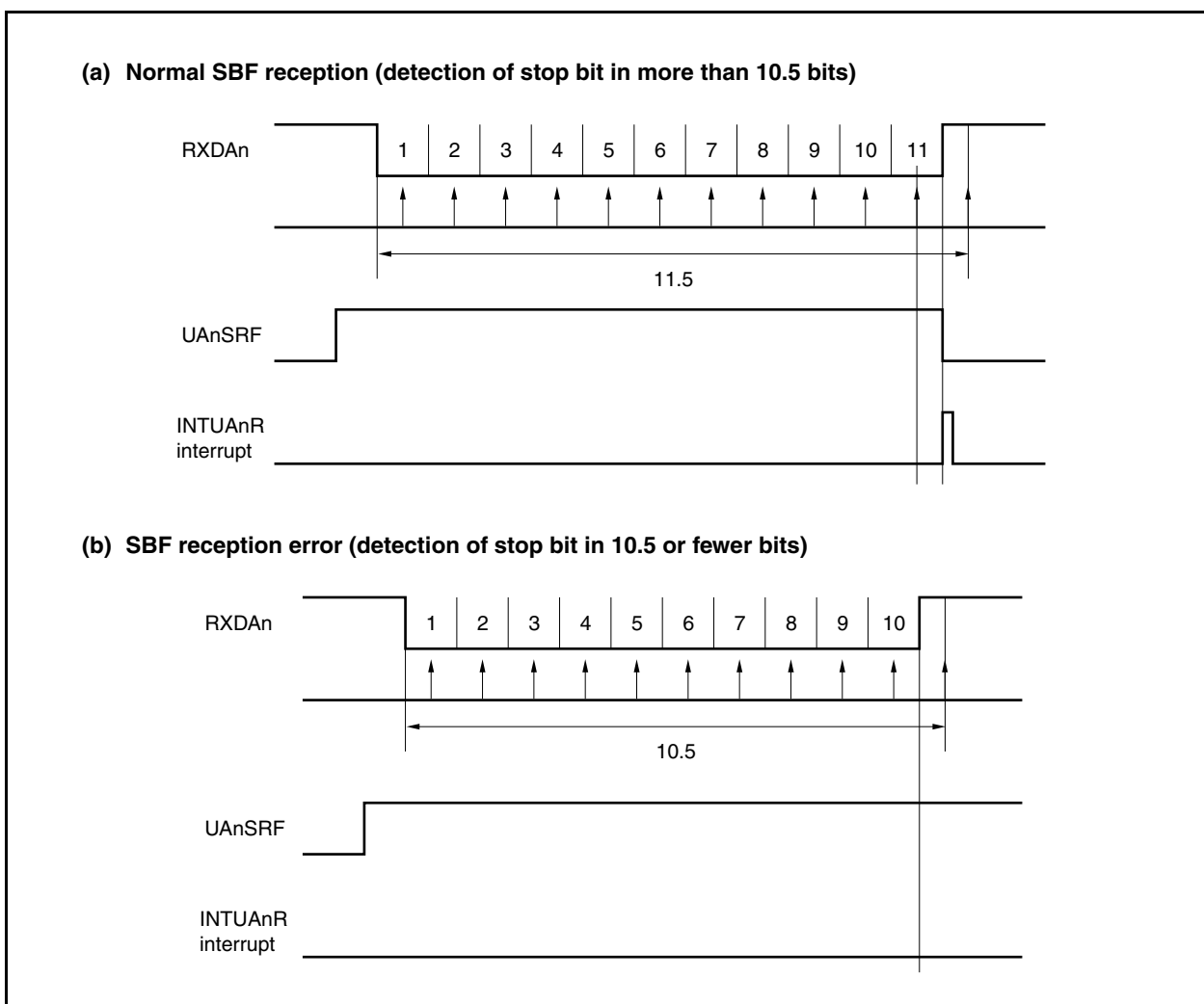
The SBF reception wait status is set by setting the SBF reception trigger (UAnOPT0.UAnSTR bit) to 1.

In the SBF reception wait status, similarly to the UART reception wait status, the RXDAn pin is monitored and start bit detection is performed.

Following detection of the start bit, reception is started and the internal counter counts up according to the set baud rate.

When a stop bit is received, if the SBF width is 11 or more bits, normal processing is judged and a reception complete interrupt request signal (INTUAnR) is output. The UAnOPT0.UAnSRF bit is automatically cleared and SBF reception ends. Error detection for the UAnSTR.UAnOVE, UAnSTR.UAnPE, and UAnSTR.UAnFE bits is suppressed and UART communication error detection processing is not performed. Moreover, data transfer of the UARTAn receive shift register and UAnRX register is not performed and FFH, the initial value, is held. If the SBF width is 10 or fewer bits, reception is terminated as error processing without outputting an interrupt, and the SBF reception mode is returned to. The UAnSRF bit is not cleared at this time.

Figure 12-6. SBF Reception



### 12.5.5 UART transmission

A high level is output to the TXDAn pin by setting the UAnCTL0.UAnPWR bit to 1.

Next, the transmission enabled status is set by setting the UAnCTL0.UAnTXE bit to 1, and transmission is started by writing transmit data to the UAnTX register. The start bit, parity bit, and stop bit are automatically added.

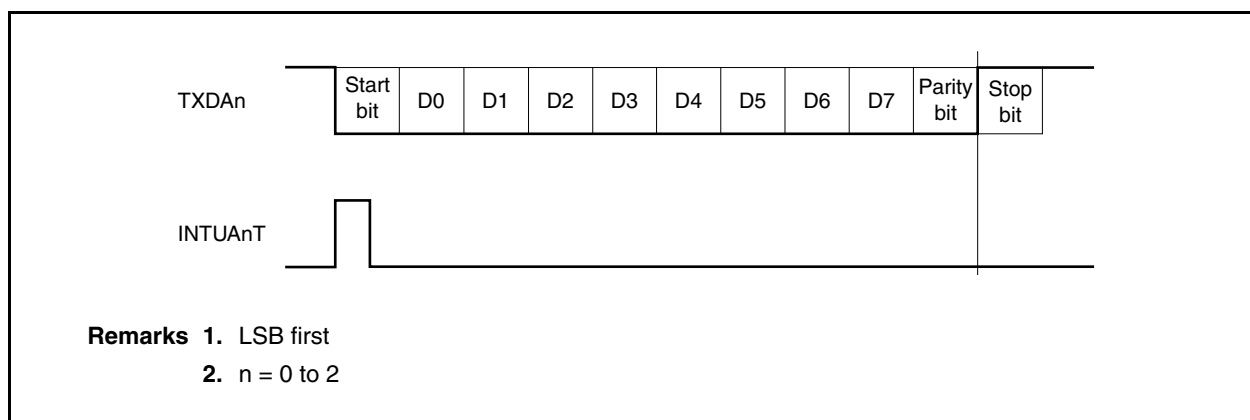
Since the CTS (transmit enable signal) input pin is not provided in UARTAn, use a port to check that reception is enabled at the transmit destination.

The data in the UAnTX register is transferred to the UARTAn transmit shift register upon the start of the transmit operation.

A transmission enable interrupt request signal (INTUAnT) is generated upon completion of transmission of the data of the UAnTX register to the UARTAn transmit shift register, and thereafter the contents of the UARTAn transmit shift register are output to the TXDAn pin.

Write of the next transmit data to the UAnTX register is enabled after the INTUAnT signal is generated.

**Figure 12-7. UART Transmission**



### 12.5.6 Continuous transmission procedure

UARTAn can write the next transmit data to the UAnTX register when the UARTAn transmit shift register starts the shift operation. The transmit timing of the UARTAn transmit shift register can be judged from the transmission enable interrupt request signal (INTUAnT).

An efficient communication rate is realized by writing the data to be transmitted next to the UAnTX register during transfer.

During continuous transmission, do not write the next transmit data to the UAnTX register before a transmit request interrupt signal (INTUAnT) is generated after transmit data is written to the UAnTX register and transferred to the UARTAn transmit shift register. If a value is written to the UAnTX register before a transmit request interrupt signal is generated, the previously set transmit data is overwritten by the latest transmit data.

**Caution** When initializing transmissions during the execution of continuous transmissions, make sure that the UAnSTR.UAnTSF bit is 0, then perform the initialization. Transmit data that is initialized when the UAnTSF bit is 1 cannot be guaranteed.

In the case of continuous transmission, the communication rate from the stop bit to the start bit of the next data is extended by two operating clocks from the normal rate.

Figure 12-8. Continuous Transmission Processing Flow

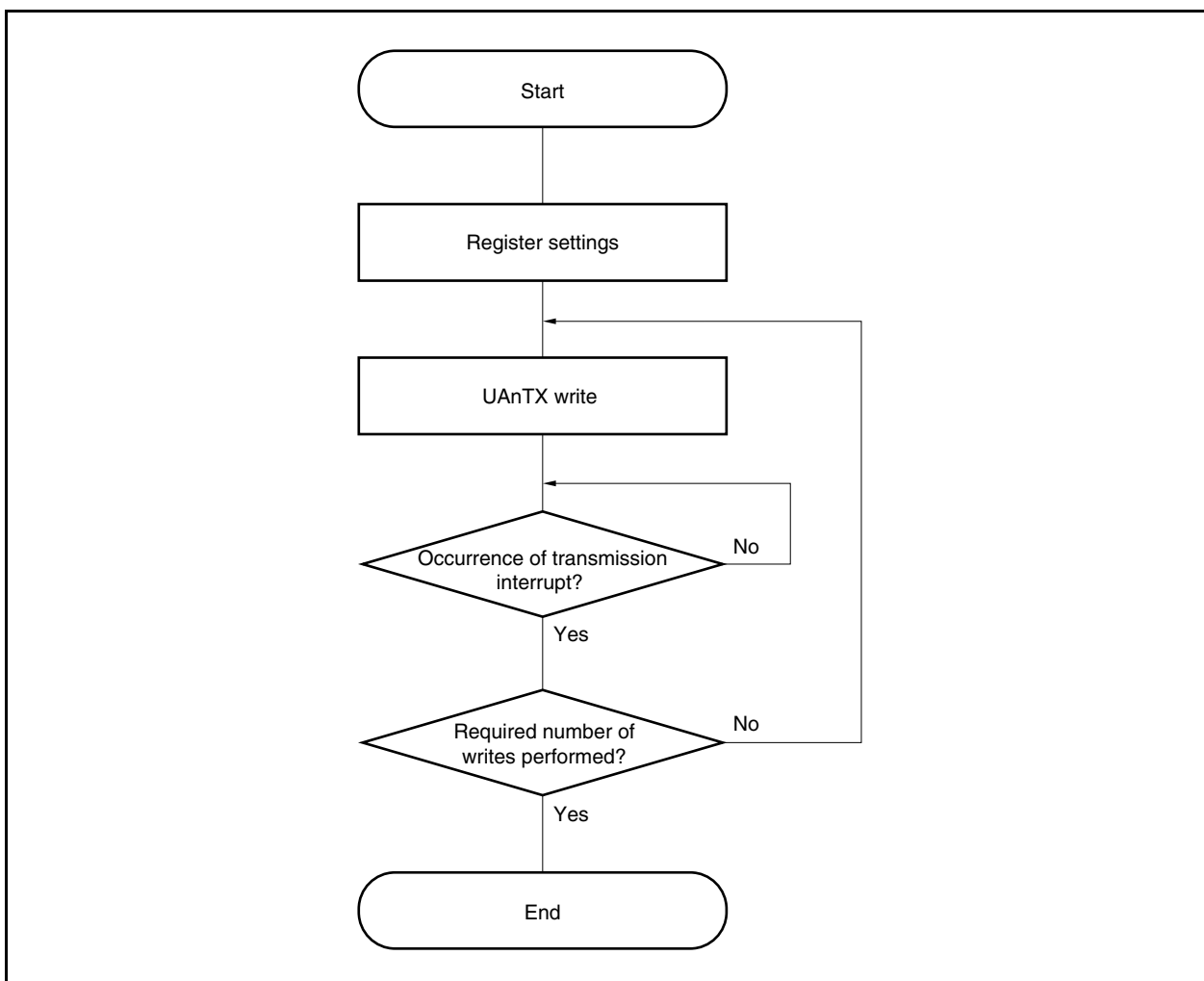
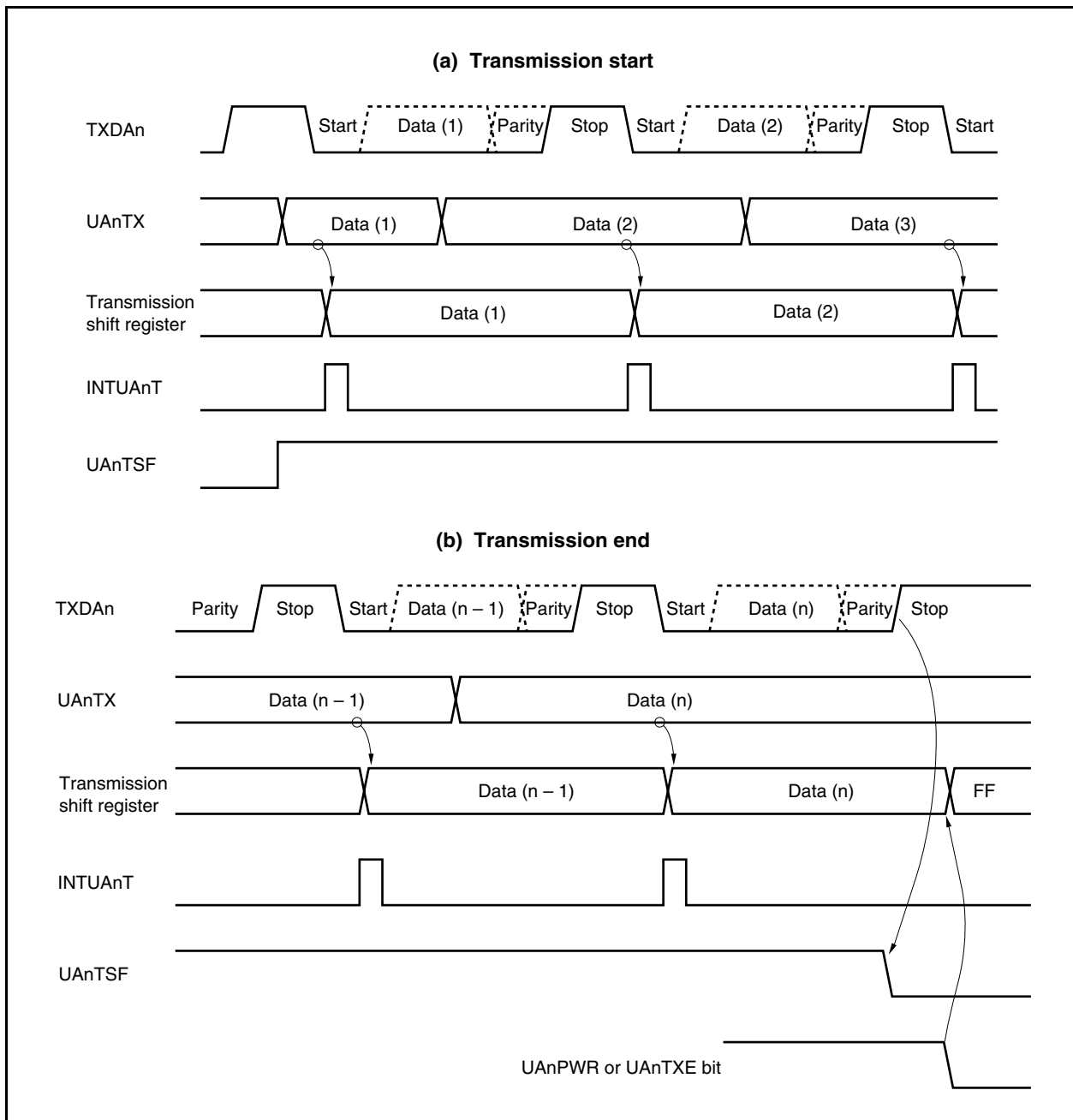


Figure 12-9. Continuous Transmission Operation Timing





### 12.5.7 UART reception

The reception wait status is set by setting the UAnCTL0.UAnPWR bit to 1 and then setting the UAnCTL0.UAnRXE bit to 1. In the reception wait status, the RXDAn pin is monitored and start bit detection is performed.

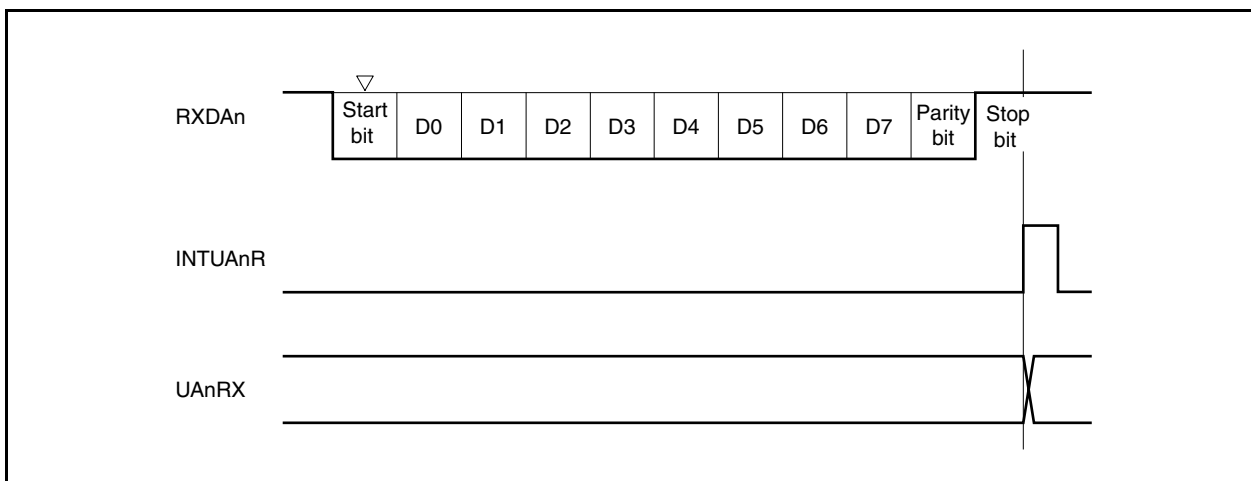
Start bit detection is performed using a two-step detection routine.

First the rising edge of the RXDAn pin is detected and sampling is started at the falling edge. The start bit is recognized if the RXDAn pin is low level at the start bit sampling point. After a start bit has been recognized, the receive operation starts, and serial data is saved to the UAnRX receive shift register according to the set baud rate.

When the reception complete interrupt request signal (INTUAnR) is output upon reception of the stop bit, the data of the UAnRX receive shift register is written to the UAnRX register. However, if an overrun error (UAnSTR.UAnOVE bit) occurs, the receive data at this time is not written to the UAnRX register and is discarded.

Even if a parity error (UAnSTR.UAnPE bit) or a framing error (UAnSTR.UAnFE bit) occurs during reception, reception continues until the reception position of the first stop bit, and INTUAnR is output following reception completion.

Figure 12-10. UART Reception



- Cautions**
1. Be sure to read the UAnRX register even when a reception error occurs. If the UAnRX register is not read, an overrun error occurs during reception of the next data, and reception errors continue occurring indefinitely.
  2. The operation during reception is performed assuming that there is only one stop bit. A second stop bit is ignored.
  3. When reception is completed, read the UAnRX register after the reception complete interrupt request signal (INTUAnR) has been generated, and clear the UAnPWR or UAnRXE bit to 0. If the UAnPWR or UAnRXE bit is cleared to 0 before the INTUAnR signal is generated, the read value of the UAnRX register cannot be guaranteed.
  4. If receive completion processing (INTUAnR signal generation) of UARTAn and the UAnPWR bit = 0 or UAnRXE bit = 0 conflict, the INTUAnR signal may be generated in spite of these being no data stored in the UAnRX register.

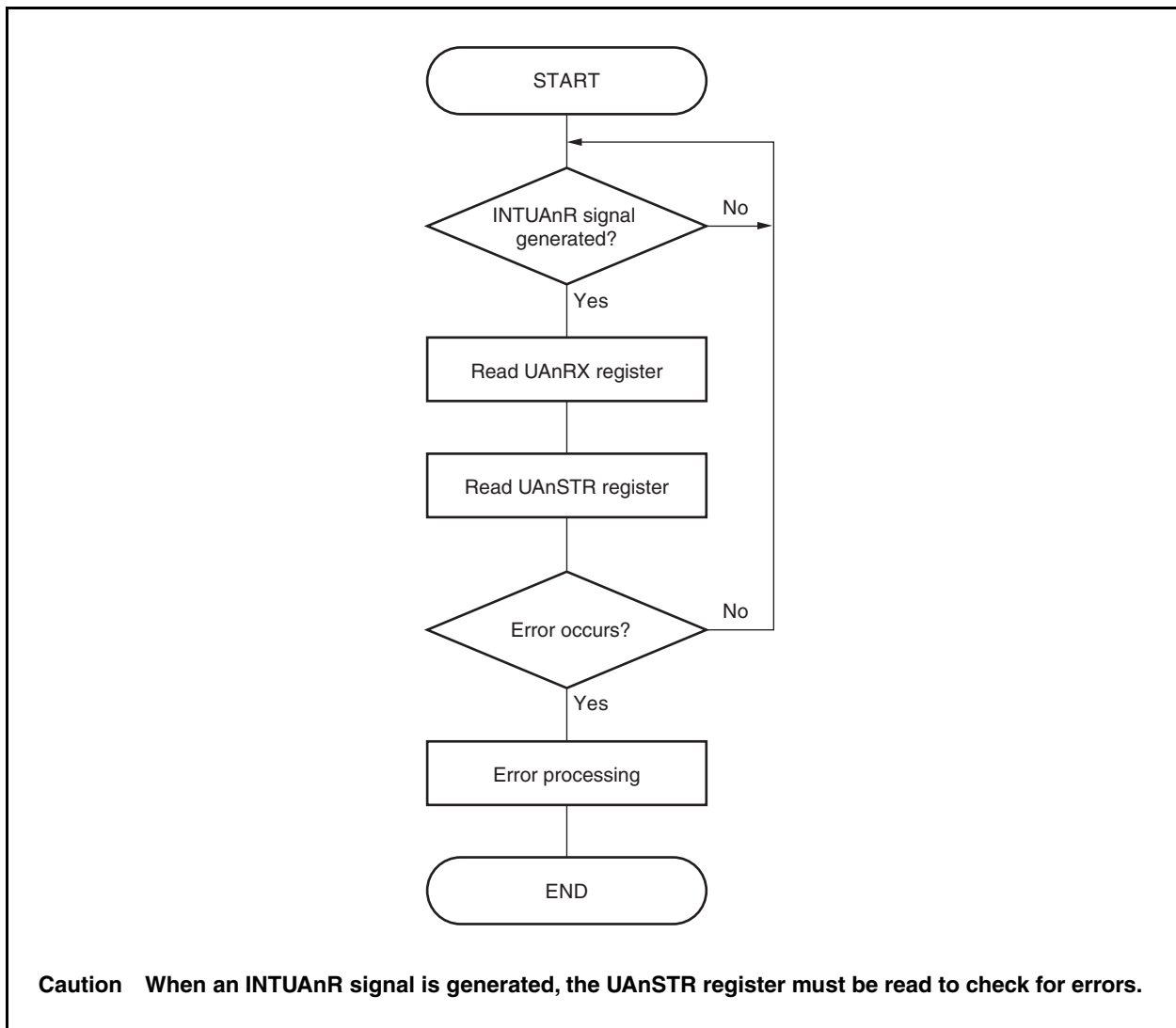
To complete reception without waiting INTUAnR signal generation, be sure to clear (0) the interrupt request flag (UAnRIF) of the UAnRIC register, after setting (1) the interrupt mask flag (UAnRMK) of the interrupt control register (UAnRIC) and then set (1) the UAnPWR bit = 0 or UAnRXE bit = 0.

### 12.5.8 Reception errors

Errors during a receive operation are of three types: parity errors, framing errors, and overrun errors. Data reception result error flags are set in the UAnSTR register and a reception complete interrupt request signal (INTUAnR) is output when an error occurs.

It is possible to ascertain which error occurred during reception by reading the contents of the UAnSTR register. Clear the reception error flag by writing 0 to it after reading it.

- Receive data read flow



- Reception error causes

Error Flag	Reception Error	Cause
UAnPE	Parity error	Received parity bit does not match the setting
UAnFE	Framing error	Stop bit not detected
UAnOVE	Overrun error	Reception of next data completed before data was read from receive buffer

When reception errors occur, perform the following procedures depending upon the kind of error.

- Parity error  
If false data is received due to problems such as noise in the reception line, discard the received data and retransmit.
- Framing error  
A baud rate error may have occurred between the reception side and transmission side or the start bit may have been erroneously detected. Since this is a fatal error for the communication format, check the operation stop in the transmission side, perform initialization processing each other, and then start the communication again.
- Overrun error  
Since the next reception is completed before reading receive data, 1 frame of data is discarded. If this data was needed, do a retransmission.

**Caution** If a receive error interrupt occurs during continuous reception, read the contents of the UAnSTR register must be read before the next reception is completed, then perform error processing.

### 12.5.9 Parity types and operations

**Caution** When using the LIN function, fix the UAnCTL0.UAnPS1 and UAnCTL0.UAnPS0 bits to 00.

The parity bit is used to detect bit errors in the communication data. Normally the same parity is used on the transmission side and the reception side.

In the case of even parity and odd parity, it is possible to detect odd-count bit errors. In the case of 0 parity and no parity, errors cannot be detected.

#### (a) Even parity

##### (i) During transmission

The number of bits whose value is “1” among the transmit data, including the parity bit, is controlled so as to be an even number. The parity bit values are as follows.

- Odd number of bits whose value is “1” among transmit data: 1
- Even number of bits whose value is “1” among transmit data: 0

##### (ii) During reception

The number of bits whose value is “1” among the reception data, including the parity bit, is counted, and if it is an odd number, a parity error is output.

#### (b) Odd parity

##### (i) During transmission

Opposite to even parity, the number of bits whose value is “1” among the transmit data, including the parity bit, is controlled so that it is an odd number. The parity bit values are as follows.

- Odd number of bits whose value is “1” among transmit data: 0
- Even number of bits whose value is “1” among transmit data: 1

##### (ii) During reception

The number of bits whose value is “1” among the receive data, including the parity bit, is counted, and if it is an even number, a parity error is output.

#### (c) 0 parity

During transmission, the parity bit is always made 0, regardless of the transmit data.

During reception, parity bit check is not performed. Therefore, no parity error occurs, regardless of whether the parity bit is 0 or 1.

#### (d) No parity

No parity bit is added to the transmit data.

Reception is performed assuming that there is no parity bit. No parity error occurs since there is no parity bit.

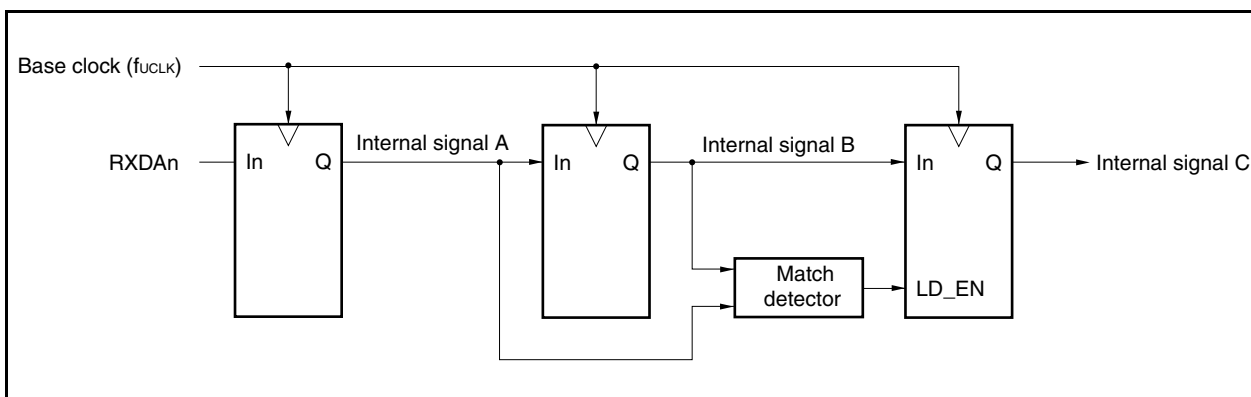
**12.5.10 Receive data noise filter**

This filter samples the RXDAn pin using the base clock of the prescaler output.

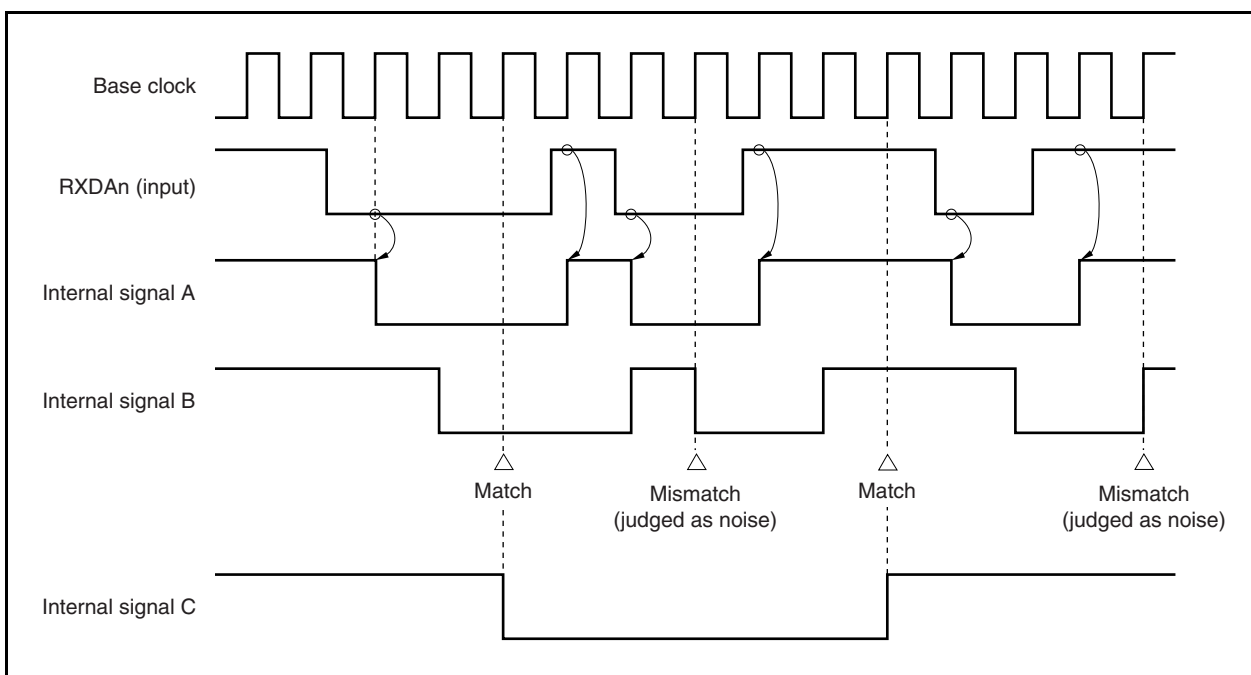
When the same sampling value is read twice, the match detector output changes and the RXDAn signal is sampled as the input data. Therefore, data not exceeding 2 clock width is judged to be noise and is not delivered to the internal circuit (see **Figure 12-12**). See **12.6 (1) (a) Base clock** regarding the base clock.

Moreover, since the circuit is as shown in Figure 12-11, the processing that goes on within the receive operation is delayed by 3 clocks in relation to the external signal status.

**Figure 12-11. Noise Filter Circuit**



**Figure 12-12. Timing of RXDAn Signal Judged as Noise**



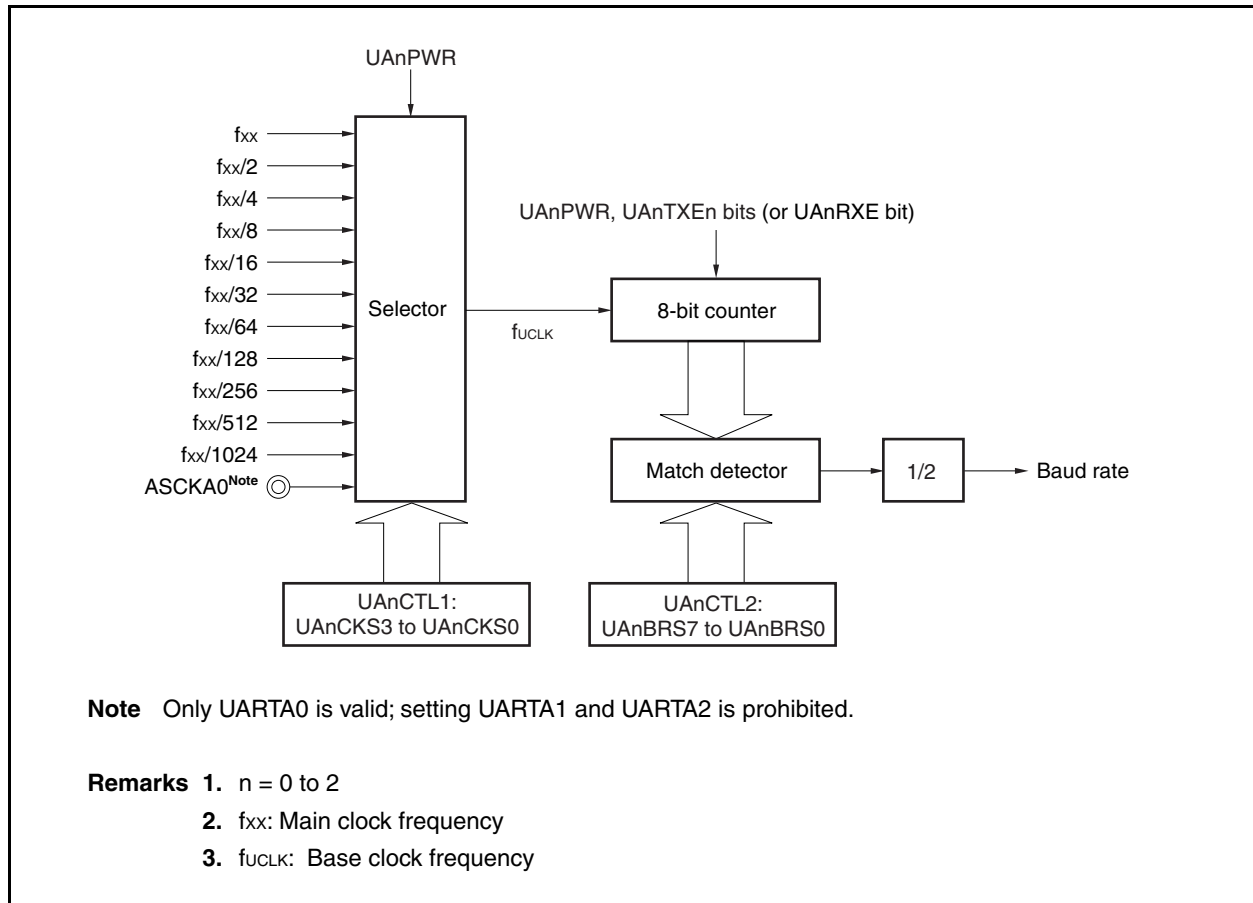
## 12.6 Dedicated Baud Rate Generator

The dedicated baud rate generator consists of a source clock selector block and an 8-bit programmable counter, and generates a serial clock during transmission and reception with UARTAn. Regarding the serial clock, a dedicated baud rate generator output can be selected for each channel.

There is an 8-bit counter for transmission and another one for reception.

### (1) Baud rate generator configuration

Figure 12-13. Configuration of Baud Rate Generator



#### (a) Base clock

When the UAnCTL0.UAnPWR bit is 1, the clock selected by the UAnCTL1.UAnCKS3 to UAnCTL1.UAnCKS0 bits is supplied to the 8-bit counter. This clock is called the base clock ( $f_{UCLK}$ ).

#### (b) Serial clock generation

A serial clock can be generated by setting the UAnCTL1 register and the UAnCTL2 register ( $n = 0$  to  $2$ ).

The base clock is selected by UAnCTL1.UAnCKS3 to UAnCTL1.UAnCKS0 bits.

The frequency division value for the 8-bit counter can be set using the UAnCTL2.UAnBRS7 to UAnCTL2.UAnBRS0 bits.

**(2) UARTAn control register 1 (UAnCTL1)**

The UAnCTL1 register is an 8-bit register that selects the UARTAn base clock.

This register can be read or written in 8-bit units.

Reset sets this register to 00H.

**Caution** Clear the UAnCTL0.UAnPWR bit to 0 before rewriting the UAnCTL1 register.

After reset: 00H R/W Address: UA0CTL1 FFFFFFFA01H, UA1CTL1 FFFFFFFA11H,  
UA2CTL1 FFFFFFFA21H

	7	6	5	4	3	2	1	0
UAnCTL1 (n = 0 to 2)	0	0	0	0	UAnCKS3	UAnCKS2	UAnCKS1	UAnCKS0

UAnCKS3	UAnCKS2	UAnCKS1	UAnCKS0	Base clock (f <sub>CLK</sub> ) selection
0	0	0	0	fxx
0	0	0	1	fxx/2
0	0	1	0	fxx/4
0	0	1	1	fxx/8
0	1	0	0	fxx/16
0	1	0	1	fxx/32
0	1	1	0	fxx/64
0	1	1	1	fxx/128
1	0	0	0	fxx/256
1	0	0	1	fxx/512
1	0	1	0	fxx/1,024
1	0	1	1	External clock <sup>Note</sup> (ASCKA0 pin)
Other than above				Setting prohibited

**Note** Only UARTA0 is valid; setting UARTA1 and UARTA2 is prohibited.

**Remark** fxx: Main clock frequency

**(3) UARTn control register 2 (UAnCTL2)**

The UAnCTL2 register is an 8-bit register that selects the baud rate (serial transfer speed) clock of UARTn.

This register can be read or written in 8-bit units.

Reset sets this register to FFH.

**Caution** Clear the UAnCTL0.UAnPWR bit to 0 or clear the UAnTXE and UAnRXE bits to 00 before rewriting the UAnCTL2 register.

After reset FFH R/W Address: UA0CTL2 FFFFA02H, UA1CTL2 FFFFA12H,  
UA2CTL2 FFFFA22H

	7	6	5	4	3	2	1	0	
UAnCTL2 (n = 0 to 2)	UAnBRS7	UAnBRS6	UAnBRS5	UAnBRS4	UAnBRS3	UAnBRS2	UAnBRS1	UAnBRS0	

UAn BRS7	UAn BRS6	UAn BRS5	UAn BRS4	UAn BRS3	UAn BRS2	UAn BRS1	UAn BRS0	Default (k)	Serial clock
0	0	0	0	0	0	×	×	×	Setting prohibited
0	0	0	0	0	1	0	0	4	f <sub>CLK</sub> /4
0	0	0	0	0	1	0	1	5	f <sub>CLK</sub> /5
0	0	0	0	0	1	1	0	6	f <sub>CLK</sub> /6
:	:	:	:	:	:	:	:	:	:
1	1	1	1	1	1	0	0	252	f <sub>CLK</sub> /252
1	1	1	1	1	1	0	1	253	f <sub>CLK</sub> /253
1	1	1	1	1	1	1	0	254	f <sub>CLK</sub> /254
1	1	1	1	1	1	1	1	255	f <sub>CLK</sub> /255

**Remark** f<sub>CLK</sub>: Clock frequency selected by the UAnCTL1.UAnCKS3 to UAnCTL1.UAnCKS0 bits



**(4) Baud rate**

The baud rate is obtained by the following equation.

$$\text{Baud rate} = \frac{f_{\text{UCLK}}}{2 \times k} \text{ [bps]}$$

When using the internal clock, the equation will be as follows (when using the ASCKA0 pin as clock at UARTA0, calculate using the above equation).

$$\text{Baud rate} = \frac{f_{\text{xx}}}{2^{m+1} \times k} \text{ [bps]}$$

**Remark**  $f_{\text{UCLK}}$  = Frequency of base clock selected by the UAnCTL1.UAnCKS3 to UAnCTL1.UAnCKS0 bits  
 $f_{\text{xx}}$ : Main clock frequency  
 $m$  = Value set using the UAnCTL1.UAnCKS3 to UAnCTL1.UAnCKS0 bits ( $m = 0$  to  $10$ )  
 $k$  = Value set using the UAnCTL2.UAnBRS7 to UAnCTL2.UAnBRS0 bits ( $k = 4$  to  $255$ )

The baud rate error is obtained by the following equation.

$$\begin{aligned} \text{Error (\%)} &= \left( \frac{\text{Actual baud rate (baud rate with error)}}{\text{Target baud rate (correct baud rate)}} - 1 \right) \times 100 \text{ [\%]} \\ &= \left( \frac{f_{\text{UCLK}}}{2 \times k \times \text{Target baud rate}} - 1 \right) \times 100 \text{ [\%]} \end{aligned}$$

When using the internal clock, the equation will be as follows (when using the ASCKA0 pin as clock at UARTA0, calculate the baud rate error using the above equation).

$$\text{Error (\%)} = \left( \frac{f_{\text{xx}}}{2^{m+1} \times k \times \text{Target baud rate}} - 1 \right) \times 100 \text{ [\%]}$$

- Cautions**
1. The baud rate error during transmission must be within the error tolerance on the receiving side.
  2. The baud rate error during reception must satisfy the range indicated in (5) Allowable baud rate range during reception.

To set the baud rate, perform the following calculation and set the UAnCTL1 and UAnCTL2 registers (when using internal clock).

<1> Set  $k = f_{xx}/(2 \times \text{Target baud rate})$ . Set  $m = 0$ .

<2> Set  $k = k/2$  and  $m = m + 1$  where  $k \geq 256$ .

<3> Repeat <2> until  $k < 256$ .

<4> Roundup the first decimal place of  $k$ .

If  $k = 256$  by the roundup, perform <2> again ( $k$  will become 128).

<5> Set  $m$  to the UAnCTL1 register and  $k$  to the UAnCTL2 register.

Example: When  $f_{xx} = 20 \text{ MHz}$  and target baud rate = 153,600 bps

<1>  $k = 20,000,000/(2 \times 153,600) = 65.10\dots$ ,  $m = 0$

<2>, <3>  $k = 65.10\dots < 256$ ,  $m = 0$

<4> Set value of UAnCTL2 register:  $k = 65 = 41\text{H}$ , set value of UAnCTL1 register:  $m = 0$

Actual baud rate =  $20,000,000/(2 \times 65)$   
= 153,846 [bps]

Baud rate error =  $\{20,000,000/(2 \times 65 \times 153,600) - 1\} \times 100$   
= 0.160 [%]

The representative examples of baud rate settings are shown below.

**Table 12-4. Baud Rate Generator Setting Data**

Baud Rate (bps)	$f_{xx} = 20 \text{ MHz}$			$f_{xx} = 16 \text{ MHz}$			$f_{xx} = 10 \text{ MHz}$		
	UAnCTL1	UAnCTL2	ERR (%)	UAnCTL1	UAnCTL2	ERR (%)	UAnCTL1	UAnCTL2	ERR (%)
300	08H	82H	0.16	0AH	1AH	0.16	07H	82H	0.16
600	07H	82H	0.16	0AH	0DH	0.16	06H	82H	0.16
1,200	06H	82H	0.16	09H	0DH	0.16	05H	82H	0.16
2,400	05H	82H	0.16	08H	0DH	0.16	04H	82H	0.16
4,800	04H	82H	0.16	07H	0DH	0.16	03H	82H	0.16
9,600	03H	82H	0.16	06H	0DH	0.16	02H	82H	0.16
19,200	02H	82H	0.16	05H	0DH	0.16	01H	82H	0.16
31,250	01H	A0H	0.00	01H	80H	0.00	00H	A0H	0.00
38,400	01H	82H	0.16	00H	D0H	0.16	00H	82H	0.16
76,800	00H	82H	0.16	03H	0DH	0.16	00H	41H	0.16
153,600	00H	41H	0.16	02H	0DH	0.16	00H	21H	-1.36
312,500	00H	20H	0.00	00H	1AH	-1.54	00H	10H	0.00

**Remark**  $f_{xx}$ : Main clock frequency

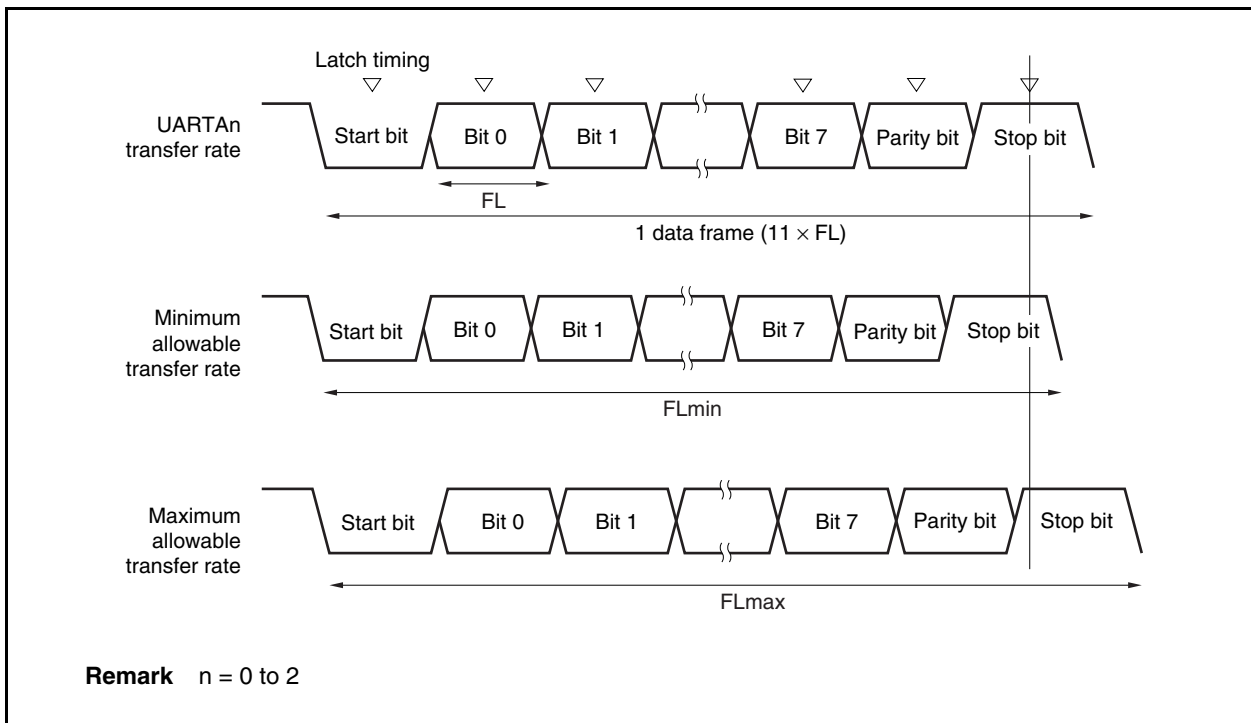
ERR: Baud rate error (%)

**(5) Allowable baud rate range during reception**

The baud rate error range at the destination that is allowable during reception is shown below.

**Caution** The baud rate error during reception must be set within the allowable error range using the following equation.

**Figure 12-14. Allowable Baud Rate Range During Reception**



As shown in Figure 12-14, the receive data latch timing is determined by the counter set using the UAnCTL2 register following start bit detection. The transmit data can be normally received if up to the last data (stop bit) can be received in time for this latch timing.

When this is applied to 11-bit reception, the following is the theoretical result.

$$FL = (\text{Brate})^{-1}$$

Brate: UARTA baud rate ( $n = 0$  to  $2$ )

k: Setting value of UAnCTL2.UAnBRS7 to UAnCTL2.UAnBRS0 bits ( $n = 0$  to  $2$ )

FL: 1-bit data length

Latch timing margin: 2 clocks

$$\text{Minimum allowable transfer rate: } FL_{\min} = 11 \times FL - \frac{k-2}{2k} \times FL = \frac{21k+2}{2k} FL$$

Therefore, the maximum baud rate that can be received by the destination is as follows.

$$BR_{\max} = (FL_{\min}/11)^{-1} = \frac{22k}{21k + 2} \text{ Brate}$$

Similarly, obtaining the following maximum allowable transfer rate yields the following.

$$\frac{10}{11} \times FL_{\max} = 11 \times FL - \frac{k + 2}{2 \times k} \times FL = \frac{21k - 2}{2 \times k} FL$$

$$FL_{\max} = \frac{21k - 2}{20k} FL \times 11$$

Therefore, the minimum baud rate that can be received by the destination is as follows.

$$BR_{\min} = (FL_{\max}/11)^{-1} = \frac{20k}{21k - 2} \text{ Brate}$$

Obtaining the allowable baud rate error for UARTA and the destination from the above-described equations for obtaining the minimum and maximum baud rate values yields the following.

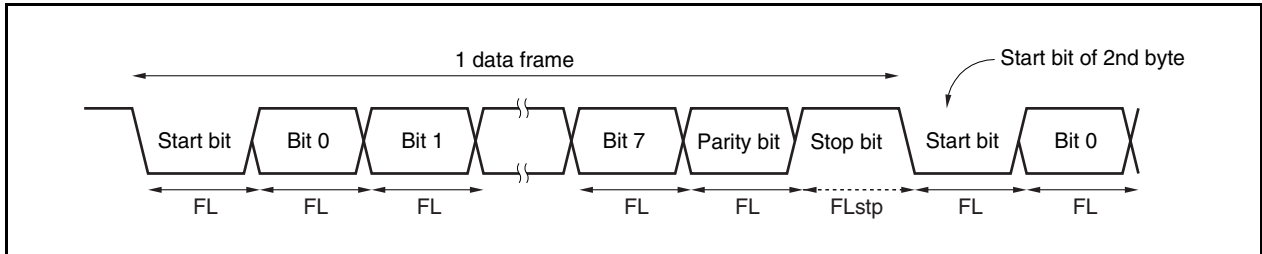
**Table 12-4. Maximum/Minimum Allowable Baud Rate Error**

Division Ratio (k)	Maximum Allowable Baud Rate Error	Minimum Allowable Baud Rate Error
4	+2.32%	-2.43%
8	+3.52%	-3.61%
20	+4.26%	-4.30%
50	+4.56%	-4.58%
100	+4.66%	-4.67%
255	+4.72%	-4.72%

- Remarks 1.** The reception accuracy depends on the bit count in 1 frame, the input clock frequency, and the division ratio (k). The higher the input clock frequency and the larger the division ratio (k), the higher the accuracy.
- 2.** k: Setting value of UAnCTL2.UAnBRS7 to UAnCTL2.UAnBRS0 bits (n = 0 to 2)

**(6) Baud rate during continuous transmission**

During continuous transmission, the transfer rate from the stop bit to the next start bit is usually 2 base clocks longer. However, timing initialization is performed via start bit detection by the receiving side, so this has no influence on the transfer result.

**Figure 12-15. Transfer Rate During Continuous Transfer**

Assuming 1 bit data length: FL; stop bit length: FLstp; and base clock frequency:  $f_{UCLK}$ , we obtain the following equation.

$$FL_{stp} = FL + 2/f_{UCLK}$$

Therefore, the transfer rate during continuous transmission is as follows.

$$\text{Transfer rate} = 11 \times FL + (2/f_{UCLK})$$

## 12.7 Cautions

- (1) When the clock supply to UARTAn is stopped (for example, in IDLE1, IDLE2, or STOP mode), the operation stops with each register retaining the value it had immediately before the clock supply was stopped. The TXDAn pin output also holds and outputs the value it had immediately before the clock supply was stopped. However, the operation is not guaranteed after the clock supply is resumed. Therefore, after the clock supply is resumed, the circuits should be initialized by setting the UAnCTL0.UAnPWR, UAnCTL0.UAnRXEn, and UAnCTL0.UAnTXEn bits to 000.
- (2) The RXDA1 and KR7 pins must not be used at the same time. To use the RXDA1 pin, do not use the KR7 pin. To use the KR7 pin, do not use the RXDA1 pin (it is recommended to set the PFC91 bit to 1 and clear PFCE91 bit to 0).
- (3) In UARTAn, the interrupt caused by a communication error does not occur. When performing the transfer of transmit data and receive data using DMA transfer, error processing cannot be performed even if errors (parity, overrun, framing) occur during transfer. Either read the UAnSTR register after DMA transfer has been completed to make sure that there are no errors, or read the UAnSTR register during communication to check for errors.
- (4) Start up the UARTAn in the following sequence.
  - <1> Set the UAnCTL0.UAnPWR bit to 1.
  - <2> Set the ports.
  - <3> Set the UAnCTL0.UAnTXE bit to 1, UAnCTL0.UAnRXE bit to 1.
- (5) Stop the UARTAn in the following sequence.
  - <1> Set the UAnCTL0.UAnTXE bit to 0, UAnCTL0.UAnRXE bit to 0.
  - <2> Set the ports and set the UAnCTL0.UAnPWR bit to 0 (it is not a problem if port setting is not changed).
- (6) In transmit mode (UAnCTL0.UAnPWR bit = 1 and UAnCTL0.UAnTXE bit = 1), do not overwrite the same value to the UAnTX register by software because transmission starts by writing to this register. To transmit the same value continuously, overwrite the same value.
- (7) In continuous transmission, the communication rate from the stop bit to the next start bit is extended 2 base clocks more than usual. However, the reception side initializes the timing by detecting the start bit, so the reception result is not affected.
- (8) If the break command is executed in the on-chip debug (OCD) mode and if UART receives data, an overrun error occurs.

## CHAPTER 13 3-WIRE VARIABLE-LENGTH SERIAL I/O (CSIB)

The V850ES/HG2 has two channels of 3-wire serial interface (CSIB).

### 13.1 Features

- Transfer rate: 8 Mbps to 4.9 kbps ( $f_{xx} = 20$  MHz, using internal clock)
- Master mode and slave mode selectable
- 8-bit to 16-bit transfer, 3-wire serial interface
- Interrupt request signals (INTCBnT, INTCBnR)  $\times 2$
- Serial clock and data phase switchable
- Transfer data length selectable in 1-bit units between 8 and 16 bits
- Transfer data MSB-first/LSB-first switchable
- 3-wire transfer
  - SOBn: Serial data output
  - SIBn: Serial data input
  - $\overline{\text{SCKBn}}$ : Serial clock I/O

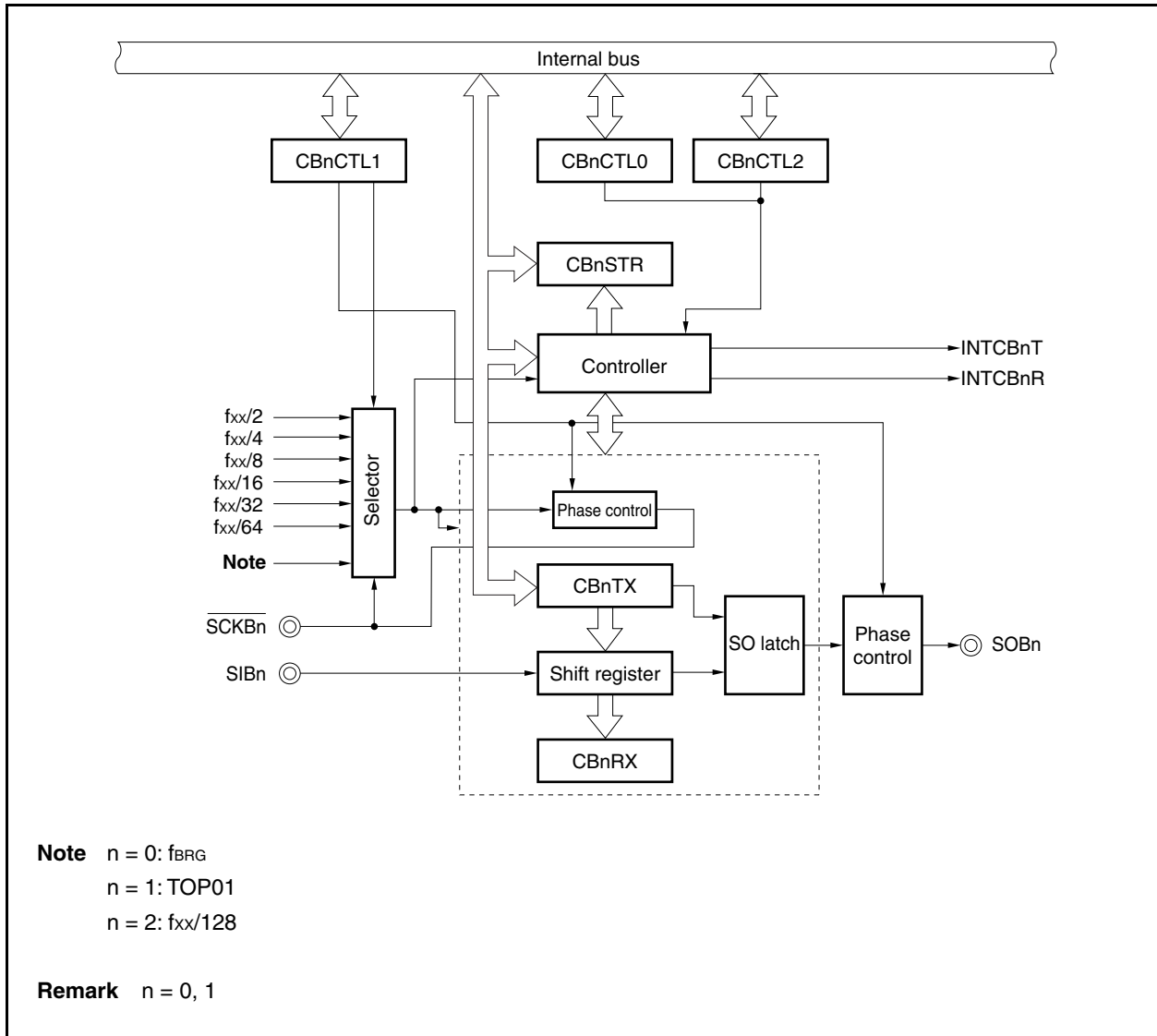
Transmission mode, reception mode, and transmission/reception mode specifiable

**Remark** n = 0, 1

### 13.2 Configuration

The following shows the block diagram of CSIBn.

Figure 13-1. Block Diagram of CSIBn



CSIBn includes the following hardware.

Table 13-1. Configuration of CSIBn

Item	Configuration
Registers	CSIBn receive data register (CBnRX) CSIBn transmit data register (CBnTX)
Control registers	CSIBn control register 0 (CBnCTL0) CSIBn control register 1 (CBnCTL1) CSIBn control register 2 (CBnCTL2) CSIBn status register (CBnSTR)



**(1) CSIBn receive data register (CBnRX)**

The CBnRX register is a 16-bit buffer register that holds receive data.

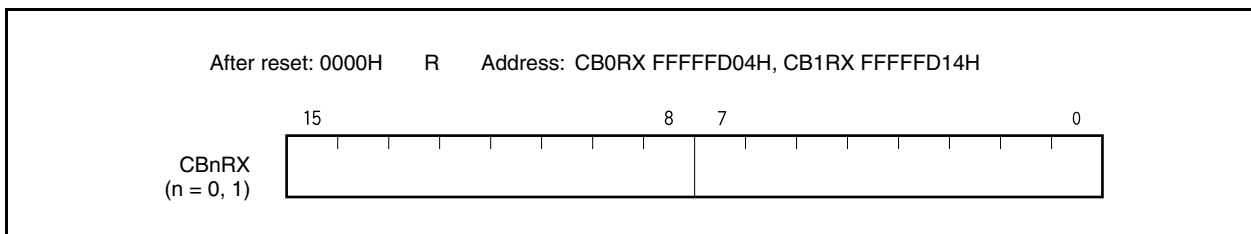
This register is read-only, in 16-bit units.

The receive operation is started by reading the CBnRX register in the reception enabled status.

If the transfer data length is 8 bits, the lower 8 bits of this register are read-only in 8-bit units as the CBnRXL register.

Reset sets this register to 0000H.

In addition to reset input, the CBnRX register can be initialized by clearing (to 0) the CBnPWR bit of the CBnCTL0 register.

**(2) CSIB transmit data register (CBnTX)**

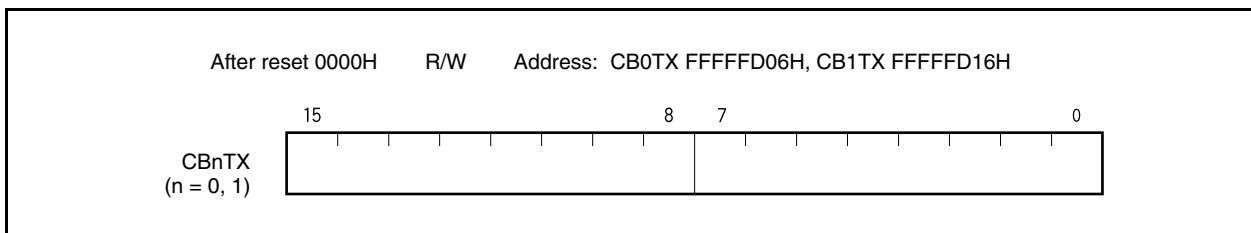
The CBnTX register is a 16-bit buffer register used to write the CSIBn transfer data.

This register can be read or written in 16-bit units.

The transmit operation is started by writing data to the CBnTX register in the transmission enabled status.

If the transfer data length is 8 bits, the lower 8 bits of this register are read-only in 8-bit units as the CBnTXL register.

Reset sets this register to 0000H.



**Remark** The communication start conditions are shown below.

Transmission mode (CBnTXE bit = 1, CBnRXE bit = 0):

Write to CBnTX register

Transmission/reception mode (CBnTXE bit = 1, CBnRXE bit = 1):

Write to CBnTX register

Reception mode (CBnTXE bit = 0, CBnRXE bit = 1):

Read from CBnRX register

### 13.3 Registers

The following registers are used to control CSIBn.

- CSIBn control register 0 (CBnCTL0)
- CSIBn control register 1 (CBnCTL1)
- CSIBn control register 2 (CBnCTL2)
- CSIBn status register (CBnSTR)

#### (1) CSIBn control register 0 (CBnCTL0)

CBnCTL0 is a register that controls the CSIBn serial transfer operation.

This register can be read or written in 8-bit or 1-bit units.

Reset sets this register to 01H.

(1/3)

After reset: 01H    R/W    Address: CB0CTL0 FFFFFFFD00H, CB1CTL0 FFFFFFFD10H								
	7	6	5	4	3	2	1	0
CBnCTL0 (n = 0, 1)	CBnPWR	CBnTXE <sup>Note</sup>	CBnRXE <sup>Note</sup>	CBnDIR <sup>Note</sup>	0	0	CBnTMS <sup>Note</sup>	CBnSCE
	CBnPWR	Specification of CSIBn operation disable/enable						
	0	Disable CSIBn operation and reset the CBnSTR register						
	1	Enable CSIBn operation						
	• The CBnPWR bit controls the CSIBn operation and resets the internal circuit.							
	CBnTXE <sup>Note</sup>	Specification of transmit operation disable/enable						
	0	Disable transmit operation						
	1	Enable transmit operation						
	• The SOBn output is low level when the CBnTXE bit is 0.							
	CBnRXE <sup>Note</sup>	Specification of receive operation disable/enable						
	0	Disable receive operation						
	1	Enable receive operation						
	• When the CBnRXE bit is cleared to 0, no reception complete interrupt is output even when the prescribed data is transferred in order to disable the receive operation, and the receive data (CBnRX register) is not updated.							
<p><b>Note</b> These bits can only be rewritten when the CBnPWR bit = 0. However, CBnPWR bit = 1 can also be set at the same time as rewriting these bits.</p> <p><b>Caution To forcibly suspend transmission/reception, clear the CBnPWR bit instead of the CBnRXE bit to 0. At this time, the clock output is stopped.</b></p>								

CBnDIR <sup>Note</sup>	Specification of transfer direction mode (MSB/LSB)
0	MSB-first transfer
1	LSB-first transfer

CBnTMS <sup>Note</sup>	Transfer mode specification
0	Single transfer mode
1	Continuous transfer mode

[In single transfer mode]

The reception complete interrupt request signal (INTCBnR) is generated.

Even if transmission is enabled (CBnTXE bit = 1), the transmission enable interrupt request signal (INTCBnT) is not generated.

If the next transmit data is written during communication (CBnSTR.CBnTSF bit = 1), it is ignored and the next communication is not started. Also, if reception-only communication is set (CBnTXE bit = 0, CBnRXE bit = 1), the next communication is not started even if the receive data is read during communication (CBnSTR.CBbTSF bit = 1).

[In continuous transfer mode]

The continuous transmission is enabled by writing the next transmit data during communication (CBnSTR.CBnTSF bit = 1). Writing the next transmission data is enabled after a transmission enable interrupt (INTCBnT) occurrence.

If reception-only communication is set (CBnTXE bit = 0, CBnRXE bit = 1) in the continuous transfer mode, the next reception is started continuously after a reception complete interrupt (INTCBnR) regardless of the read operation of the CBnRX register.

Therefore, read immediately the receive data from the CBnRX register. If this read operation is delayed, an overrun error (CBnOVE bit = 1) occurs.

**Note** These bits can only be rewritten when the CBnPWR bit = 0. However, CBnPWR bit = 1 can also be set at the same time as rewriting these bits.

CBnSCE	Specification of start transfer disable/enable
0	Communication start trigger invalid
1	Communication start trigger valid

- In master mode  
This bit enables or disables the communication start trigger.
  - (a) In single transmission or transmission/reception mode, or continuous transmission or continuous transmission/reception mode  
The setting of the CBnSCE bit has no influence on communication operation.
  - (b) In single reception mode  
Clear the CBnSCE bit to 0 before reading the last receive data because reception is started by reading the receive data (CBnRX register) to disable the reception startup<sup>Note 1</sup>.
  - (c) In continuous reception mode  
Clear the CBnSCE bit to 0 one communication clock before reception of the last data is completed to disable the reception startup after the last data is received<sup>Note 2</sup>.
- In slave mode  
This bit enables or disables the communication start trigger.  
Set the CBnSCE bit to 1.

[Usage of CBnSCE bit]

- In single reception mode
  - <1>When reception of the last data is completed by INTCBnR interrupt servicing, clear the CBnSCE bit to 0 before reading the CBnRX register.
  - <2>After confirming the CBnSTR.CBnTSF bit = 0, clear the CBnRXE bit to 0 to disable reception.  
To continue reception, set the CBnSCE bit to 1 to start up the next reception by dummy-reading the CBnRX register.
- In continuous reception mode
  - <1>Clear the CBnSCE bit to 0 during the reception of the last data by INTCBnR interrupt servicing.
  - <2>Read the CBnRX register.
  - <3>Read the last reception data by reading the CBnRX register after acknowledging the CBnTIR interrupt.
  - <4>After confirming the CBnSTR.CBnTSF bit = 0, clear the CBnRXE bit to 0 to disable reception.  
To continue reception, set the CBnSCE bit to 1 to wait for the next reception by dummy-reading the CBnRX register.

- Notes**
- If the CBnSCE bit is read while it is 1, the next communication operation is started.
  - The CBnSCE bit is not cleared to 0 one communication clock before the completion of the last data reception, the next communication operation is automatically started.

**Caution** Be sure to clear bits 3 and 2 to "0".

**(2) CSIBn control register 1 (CBnCTL1)**

CBnCTL1 is an 8-bit register that controls the CSIBn serial transfer operation.

This register can be read or written in 8-bit or 1-bit units.

Reset sets this register to 00H.

**Caution** The CBnCTL1 register can be rewritten only when the CBnCTL0.CBnPWR bit = 0.

After reset 00H R/W Address: CB0CTL1 FFFFFFFD01H, CB1CTL1 FFFFFFFD11H

	7	6	5	4	3	2	1	0
CBnCTL1 (n = 0, 1)	0	0	0	CBnCKP	CBnDAP	CBnCKS2	CBnCKS1	CBnCKS0

	CBnCKP	CBnDAP	Specification of data transmission/ reception timing in relation to SCKBn
Communication type 1	0	0	
Communication type 2	0	1	
Communication type 3	1	0	
Communication type 4	1	1	

CBnCKS2	CBnCKS1	CBnCKS0	Communication clock		Mode
			n = 0	n = 1	
0	0	0	f <sub>xx</sub> /2		Master mode
0	0	1	f <sub>xx</sub> /4		Master mode
0	1	0	f <sub>xx</sub> /8		Master mode
0	1	1	f <sub>xx</sub> /16		Master mode
1	0	0	f <sub>xx</sub> /32		Master mode
1	0	1	f <sub>xx</sub> /64		Master mode
1	1	0	f <sub>BRG</sub> <sup>Note</sup>	TMP0 (TOP01)	Master mode
1	1	1	External clock (SCKBn)		Slave mode

**Note** For details, see 13.8 Baud Rate Generator.

**(3) CSIBn control register 2 (CBnCTL2)**

CBnCTL2 is an 8-bit register that controls the number of CSIBn serial transfer bits.

This register can be read or written in 8-bit units.

Reset sets this register to 00H.

**Caution** The CBnCTL2 register can be rewritten only when the CBnCTL0.CBnPWR bit = 0 or when both the CBnTXE and CBnRXE bits = 0.

After reset: 00H R/W Address: CB0CTL2 FFFFFFFD02H, CB1CTL2 FFFFFFFD12H

	7	6	5	4	3	2	1	0
CBnCTL2 (n = 0, 1)	0	0	0	0	CBnCL3	CBnCL2	CBnCL1	CBnCL0

CBnCL3	CBnCL2	CBnCL1	CBnCL0	Serial register bit length
0	0	0	0	8 bits
0	0	0	1	9 bits
0	0	1	0	10 bits
0	0	1	1	11 bits
0	1	0	0	12 bits
0	1	0	1	13 bits
0	1	1	0	14 bits
0	1	1	1	15 bits
1	×	×	×	16 bits

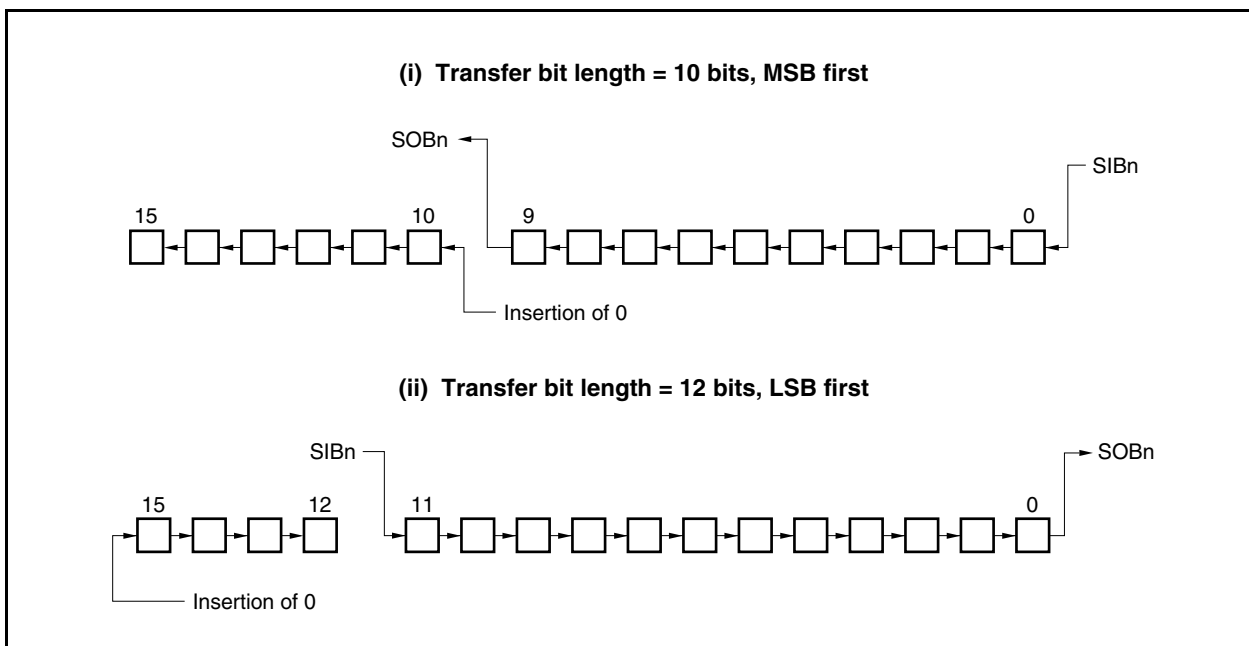
**Remarks 1.** If the number of transfer bits is other than 8 or 16, prepare and use data stuffed from the LSB of the CBnTX and CBnRX registers.

**2.** ×: don't care

**(a) Transfer data length change function**

The CSIB<sub>n</sub> transfer data length can be set in 1-bit units between 8 and 16 bits using the CBnCTL2.CBnCL3 to CBnCTL2.CBnCL0 bits.

When the transfer bit length is set to a value other than 16 bits, set the data to the CBnTX or CBnRX register starting from the LSB, regardless of whether the transfer start bit is the MSB or LSB. Any data can be set for the higher bits that are not used, but the receive data becomes 0 following serial transfer.



**(4) CSIBn status register (CBnSTR)**

CBnSTR is an 8-bit register that displays the CSIBn status.

This register can be read or written in 8-bit or 1-bit units, but the CBnTSF flag is read-only.

Reset sets this register to 00H.

In addition to reset input, the CBnSTR register can be initialized by clearing (0) the CBnCTL0.CBnPWR bit.

After reset 00H		R/W	Address: CB0STR FFFFFFFD03H, CB1STR FFFFFFFD13H					
CBnSTR (n = 0, 1)	7	6	5	4	3	2	1	0
	CBnTSF	0	0	0	0	0	0	CBnOVE
CBnTSF		Communication status flag						
0		Communication stopped						
1		Communicating						
<ul style="list-style-type: none"> <li>• During transmission, this register is set when data is prepared in the CBnTX register, and during reception, it is set when a dummy read of the CBnRX register is performed.</li> <li>When transfer ends, this flag is cleared to 0 at the last edge of the clock.</li> </ul>								
CBnOVE		Overrun error flag						
0		No overrun						
1		Overrun						
<ul style="list-style-type: none"> <li>• An overrun error occurs when the next reception starts without reading the value of the receive buffer by CPU, upon completion of the receive operation.</li> <li>The CBnOVE flag displays the overrun error occurrence status in this case.</li> <li>• The CBnOVE bit is valid also in the single transfer mode. Therefore, when only using transmission, note the following. <ul style="list-style-type: none"> <li>• Do not check the CBnOVE flag.</li> <li>• Read this bit even if reading the reception data is not required.</li> </ul> </li> <li>• The CBnOVE flag is cleared by writing 0 to it. It cannot be set even by writing 1 to it.</li> </ul>								



## 13.4 Interrupt Request Signals

CSIBn can generate the following two types of interrupt request signals.

- Reception complete interrupt request signal (INTCBnR)
- Transmission enable interrupt request signal (INTCBnT)

Of these two interrupt request signals, the reception complete interrupt request signal has the higher priority by default, and the priority of the transmission enable interrupt request signal is lower.

**Table 13-2. Interrupts and Their Default Priority**

Interrupt	Priority
Reception complete	High
Transmission enable	Low

### (1) Reception complete interrupt request signal (INTCBnR)

When receive data is transferred to the CBnRX register while reception is enabled, the reception complete interrupt request signal is generated.

This interrupt request signal can also be generated if an overrun error occurs.

When the reception complete interrupt request signal is acknowledged and the data is read, read the CBnSTR register to check that the result of reception is not an error.

In the single transfer mode, the INTCBnR interrupt request signal is generated upon completion of transmission, even when only transmission is executed.

### (2) Transmission enable interrupt request signal (INTCBnT)

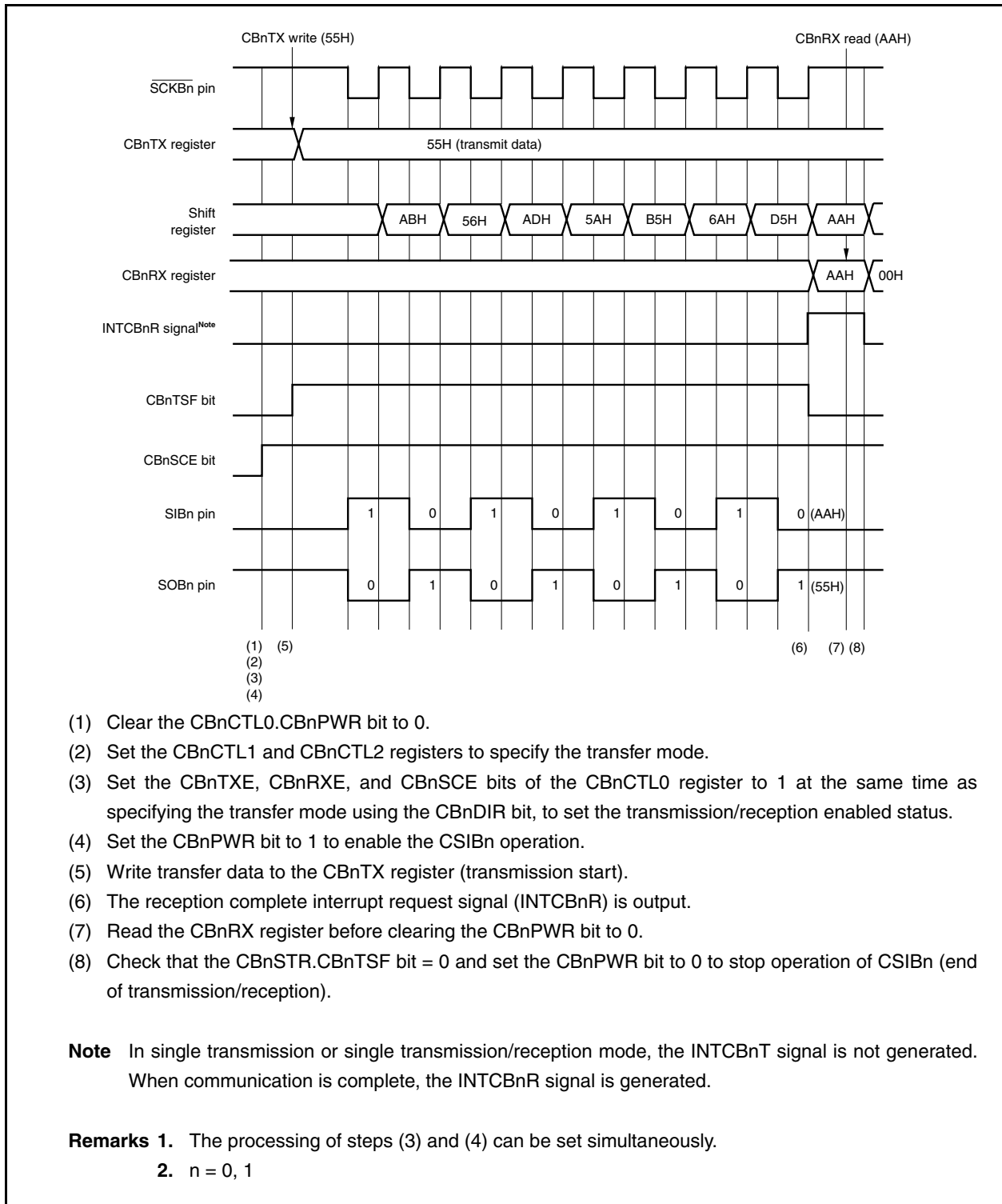
In the continuous transmission or continuous transmission/reception mode, transmit data is transferred from the CBnTX register and, as soon as writing to CBnTX has been enabled, the transmission enable interrupt request signal is generated.

In the single transmission and single transmission/reception modes, the INTCBnT interrupt is not generated.

## 13.5 Operation

### 13.5.1 Single transfer mode (master mode, transmission/reception mode)

This section shows a case of MSB first (CBnCTL0.CBnDIR bit = 0), communication type 1 (see 13.3 (2) CSIBn control register 1 (CBnCTL1), and transfer data length = 8 bits (CBnCTL2.CBnCL3 to CBnCTL2.CBnCL0 bits = 0, 0, 0, 0).



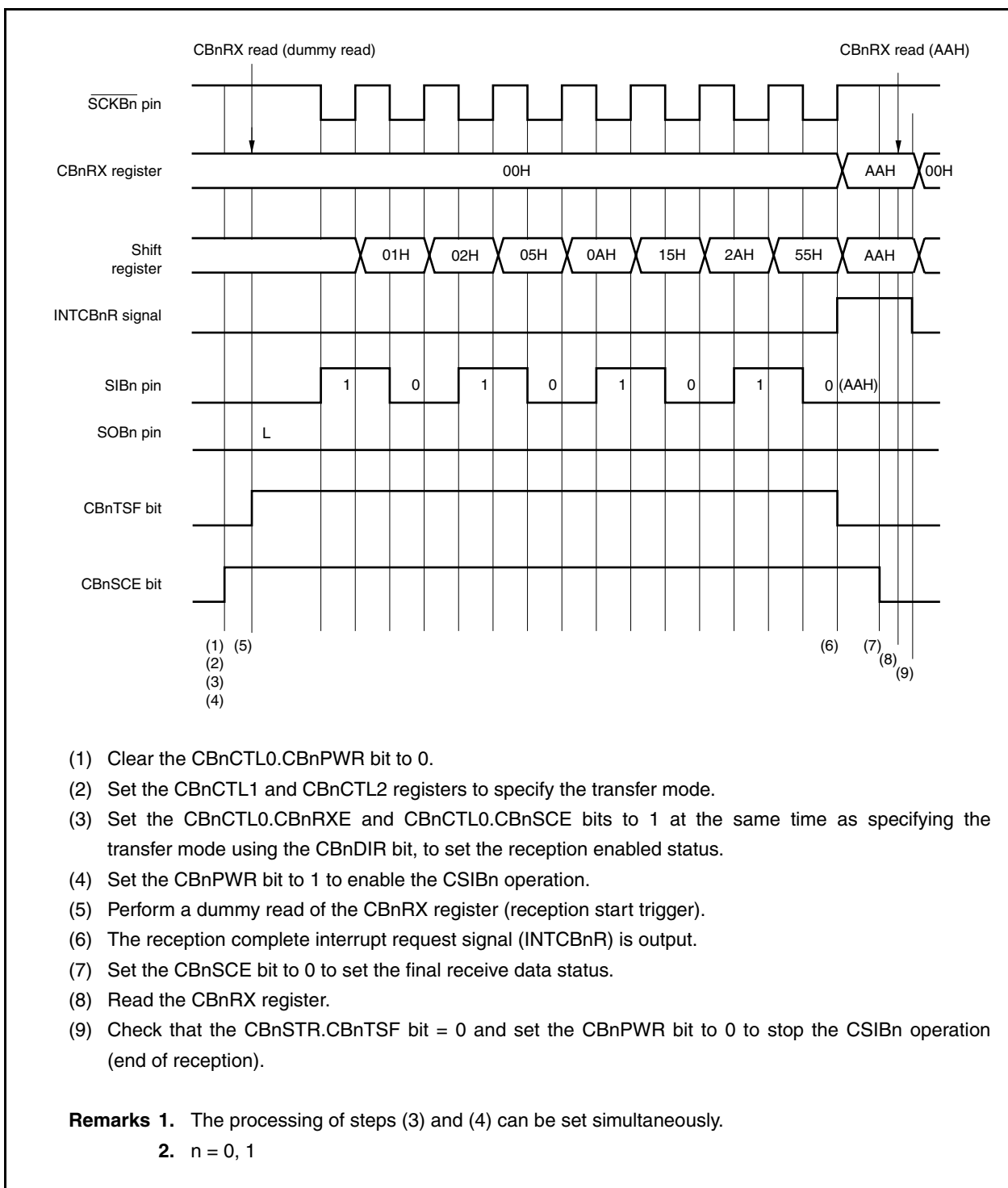
- (1) Clear the CBnCTL0.CBnPWR bit to 0.
- (2) Set the CBnCTL1 and CBnCTL2 registers to specify the transfer mode.
- (3) Set the CBnTXE, CBnRXE, and CBnSCE bits of the CBnCTL0 register to 1 at the same time as specifying the transfer mode using the CBnDIR bit, to set the transmission/reception enabled status.
- (4) Set the CBnPWR bit to 1 to enable the CSIBn operation.
- (5) Write transfer data to the CBnTX register (transmission start).
- (6) The reception complete interrupt request signal (INTCBnR) is output.
- (7) Read the CBnRX register before clearing the CBnPWR bit to 0.
- (8) Check that the CBnSTR.CBnTSF bit = 0 and set the CBnPWR bit to 0 to stop operation of CSIBn (end of transmission/reception).

**Note** In single transmission or single transmission/reception mode, the INTCBnT signal is not generated. When communication is complete, the INTCBnR signal is generated.

- Remarks 1.** The processing of steps (3) and (4) can be set simultaneously.  
**2.** n = 0, 1

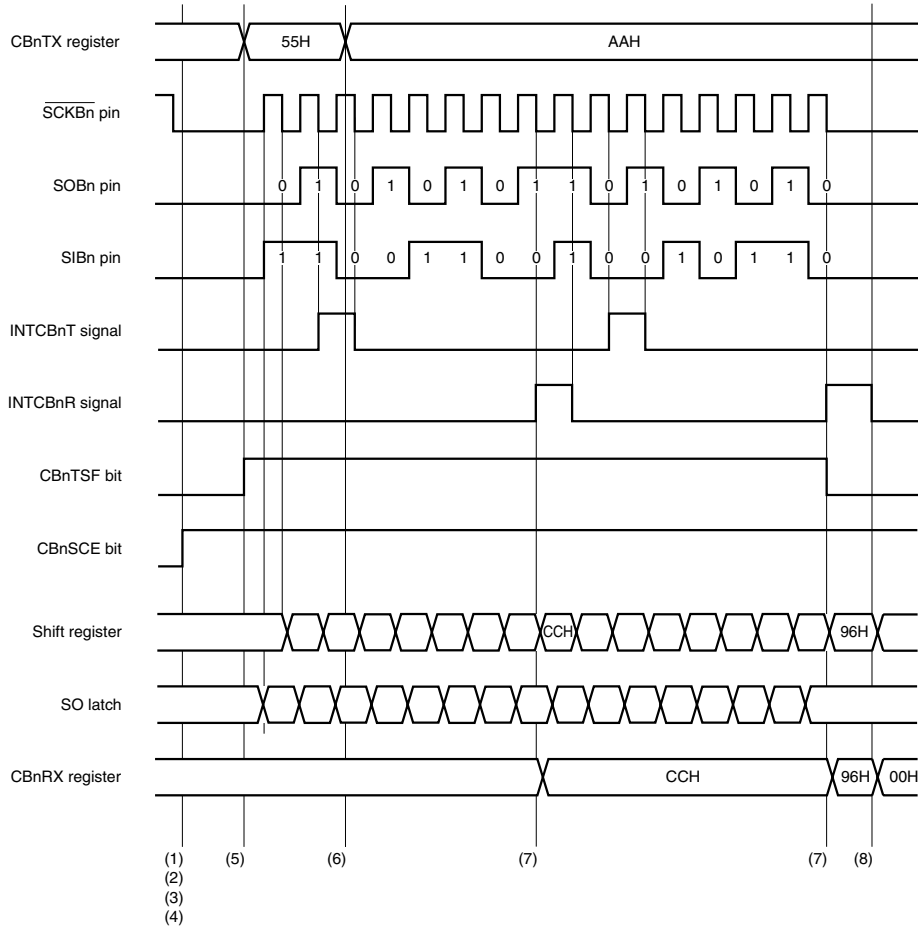
### 13.5.2 Single transfer mode (master mode, reception mode)

This section shows the case using MSB first (CBnCTL0.CBnDIR bit = 0) and communication type 1 (see 13.3 (2) **CSIBn control register 1 (CBnCTL1)**), transfer data length = 8 bits (CBnCTL2.CBnCL3 to CBnCTL2.CBnCL0 bits = 0, 0, 0, 0).



**13.5.3 Continuous mode (master mode, transmission/reception mode)**

This section shows the case using MSB first (CBnCTL0.CBnDIR bit = 0) and communication type 3 (see **13.3 (2) CSIBn control register 1 (CBnCTL1)**), transfer data length = 8 bits (CBnCTL2.CBnCL3 to CBnCTL2.CBnCL0 bits = 0, 0, 0, 0).



- (1) Clear the CBnCTL0.CBnPWR bit to 0.
- (2) Set the CBnCTL1 and CBnCTL2 registers to specify the transfer mode.
- (3) Set the CBnTXE, CBnRXE, and CBnSCE bits of the CBnCTL0 register to 1 at the same time as specifying the transfer mode using the CBnDIR bit, to set the transmission/reception enabled status.
- (4) Set the CBnPWR bit to 1 to enable the CSIBn operation.
- (5) Write transfer data to the CBnTX register (transmission start).
- (6) The transmission enable interrupt request signal (INTCBnT) is received and transfer data is written to the CBnTX register.
- (7) The reception complete interrupt request signal (INTCBnR) is output.  
Read the CBnRX register before the next receive data arrives or before the CBnPWR bit is cleared to 0.
- (8) Check that the CBnSTR.CBnTSE bit = 0 and set the CBnPWR bit to 0 to stop the operation of CSIBn (end of transmission/reception).

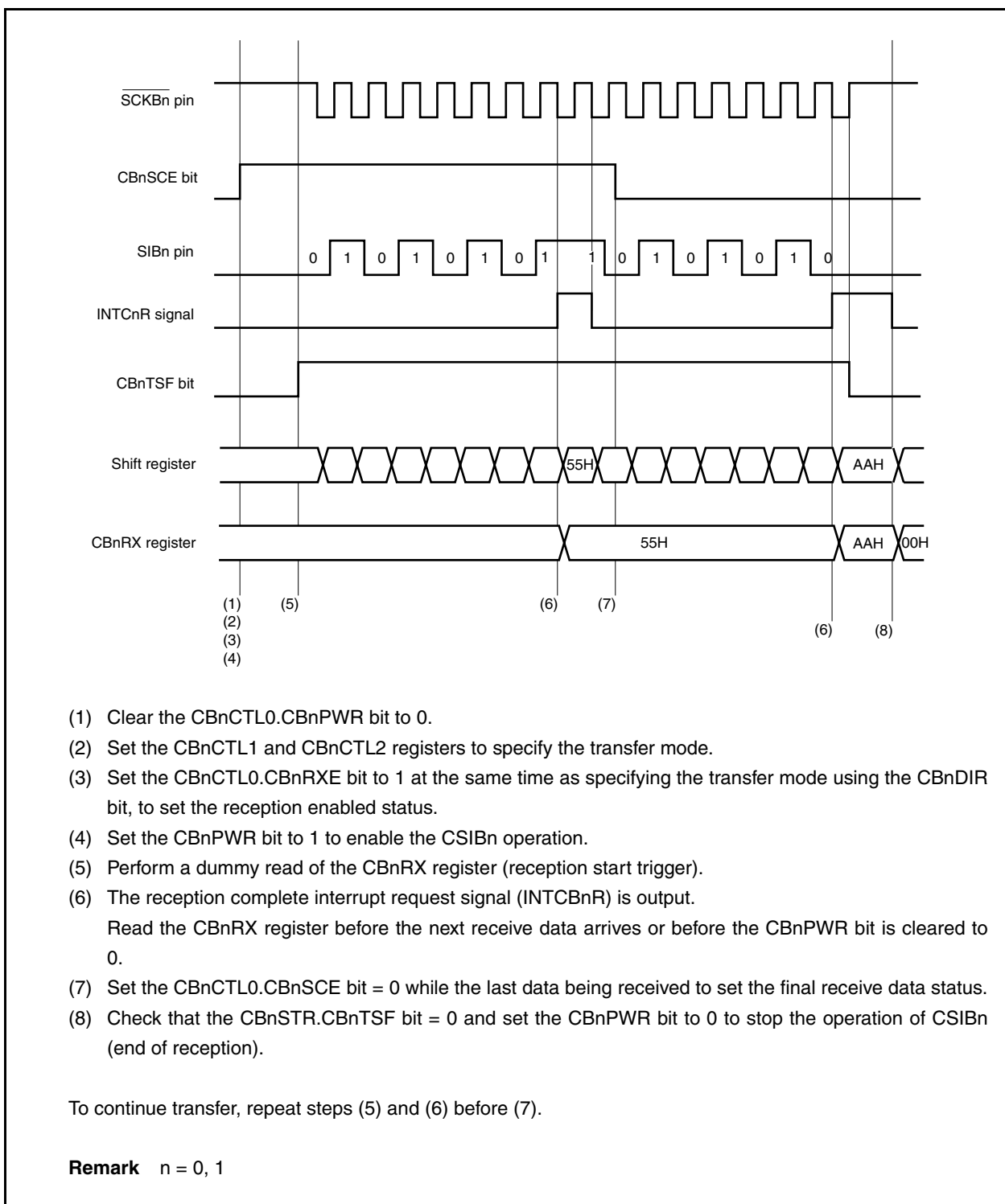
To continue transfer, repeat steps (5) to (7) before (8).

In transmission mode or transmission/reception mode, the communication is not started by reading the CBnRX register.

**Remark** n = 0, 1

**13.5.4 Continuous mode (master mode, reception mode)**

This section shows the case using MSB first (CBnCTL0.CBnDIR bit = 0) and communication type 2 (see **13.3 (2) CSIBn control register 1 (CBnCTL1)**), transfer data length = 8 bits (CBnCTL2.CBnCL3 to CBnCTL2.CBnCL0 bits = 0, 0, 0, 0).



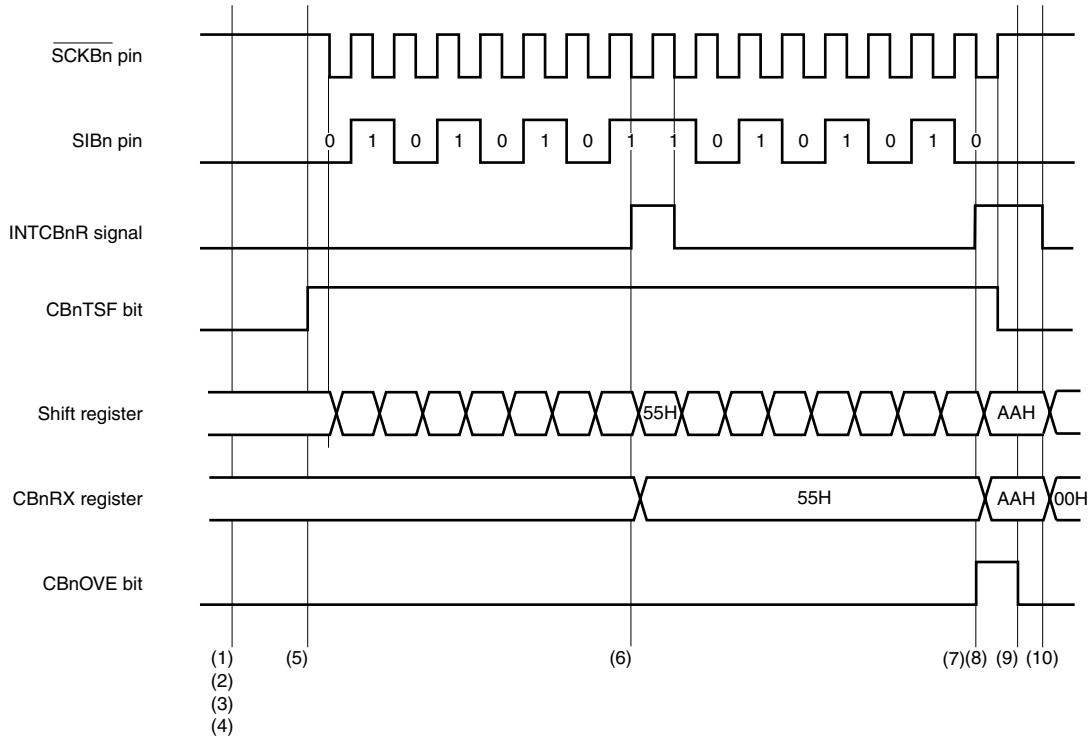
- (1) Clear the CBnCTL0.CBnPWR bit to 0.
- (2) Set the CBnCTL1 and CBnCTL2 registers to specify the transfer mode.
- (3) Set the CBnCTL0.CBnRXE bit to 1 at the same time as specifying the transfer mode using the CBnDIR bit, to set the reception enabled status.
- (4) Set the CBnPWR bit to 1 to enable the CSIBn operation.
- (5) Perform a dummy read of the CBnRX register (reception start trigger).
- (6) The reception complete interrupt request signal (INTCBnR) is output.  
Read the CBnRX register before the next receive data arrives or before the CBnPWR bit is cleared to 0.
- (7) Set the CBnCTL0.CBnSCE bit = 0 while the last data being received to set the final receive data status.
- (8) Check that the CBnSTR.CBnTSF bit = 0 and set the CBnPWR bit to 0 to stop the operation of CSIBn (end of reception).

To continue transfer, repeat steps (5) and (6) before (7).

**Remark** n = 0, 1

**13.5.5 Continuous reception mode (error)**

This section shows the case using MSB first (CBnCTL0.CBnDIR bit = 0) and communication type 2 (see **13.3 (2) CSIBn control register 1 (CBnCTL1)**), transfer data length = 8 bits (CBnCTL2.CBnCL3 to CBnCTL2.CBnCL0 bits = 0, 0, 0, 0).

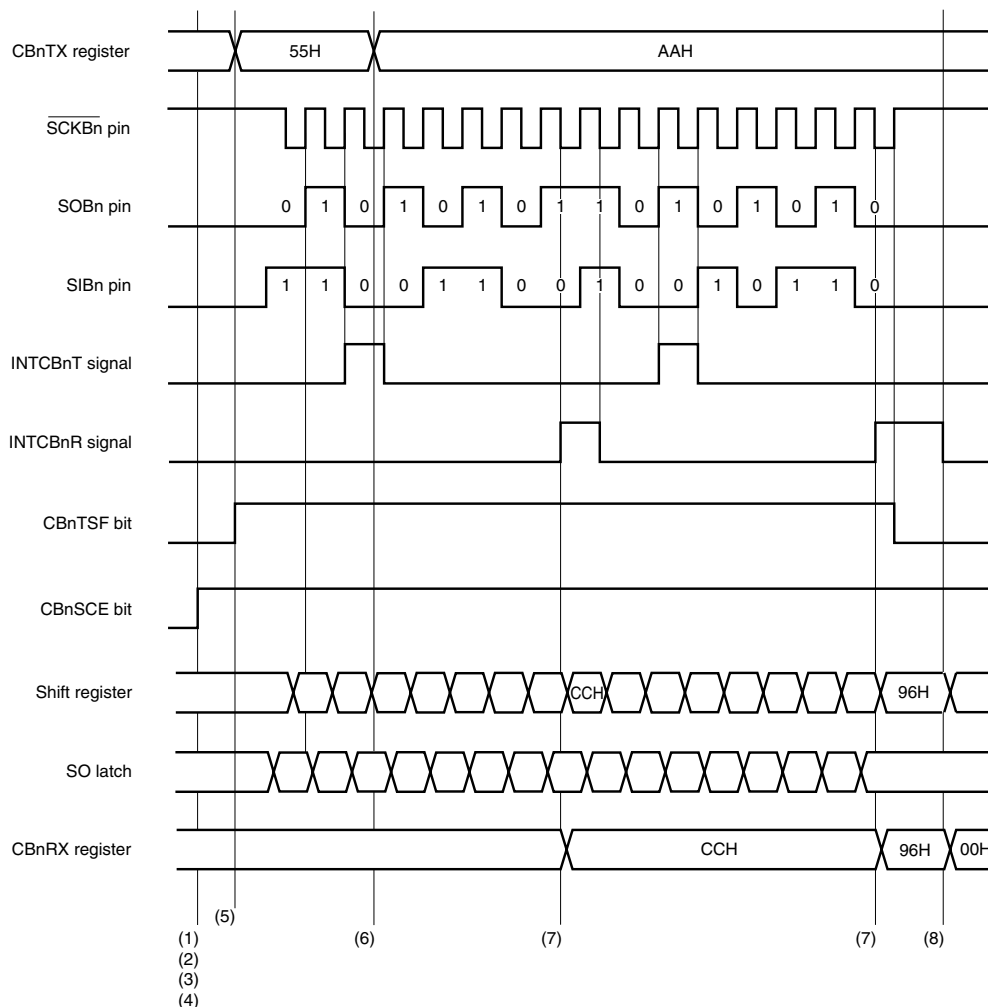


- (1) Clear the CBnCTL0.CBnPWR bit to 0.
- (2) Set the CBnCTL1 and CBnCTL2 registers to specify the transfer mode.
- (3) Set the CBnCTL0.CBnRXE bit to 1 at the same time as specifying the transfer mode using the CBnDIR bit, to set the reception enabled status.
- (4) Set the CBnPWR bit = 1 to enable CSIBn operation.
- (5) Perform a dummy read of the CBnRX register (reception start trigger).
- (6) The reception complete interrupt request signal (INTCBnR) is output.
- (7) If the data could not be read before the end of the next transfer, the CBnSTR.CBnOVE flag is set to 1 upon the end of reception and the INTCBnR signal is output.
- (8) Overrun error processing is performed after checking that the CBnOVE bit = 1 in the INTCBnR interrupt servicing.
- (9) Clear CBnOVE bit to 0.
- (10) Check that the CBnSTR.CBnTSF bit = 0 and set the CBnPWR bit to 0 to stop the operation CSIBn (end of reception).

**Remark** n = 0, 1

**13.5.6 Continuous mode (slave mode, transmission/reception mode)**

This section shows the case using MSB first (CBnCTL0.CBnDIR bit = 0) and communication type 2 (see **13.3 (2) CSIBn control register 1 (CBnCTL1)**), transfer data length = 8 bits (CBnCTL2.CSnCL3 to CBnCTL2.CBnCL0 bits = 0, 0, 0, 0).



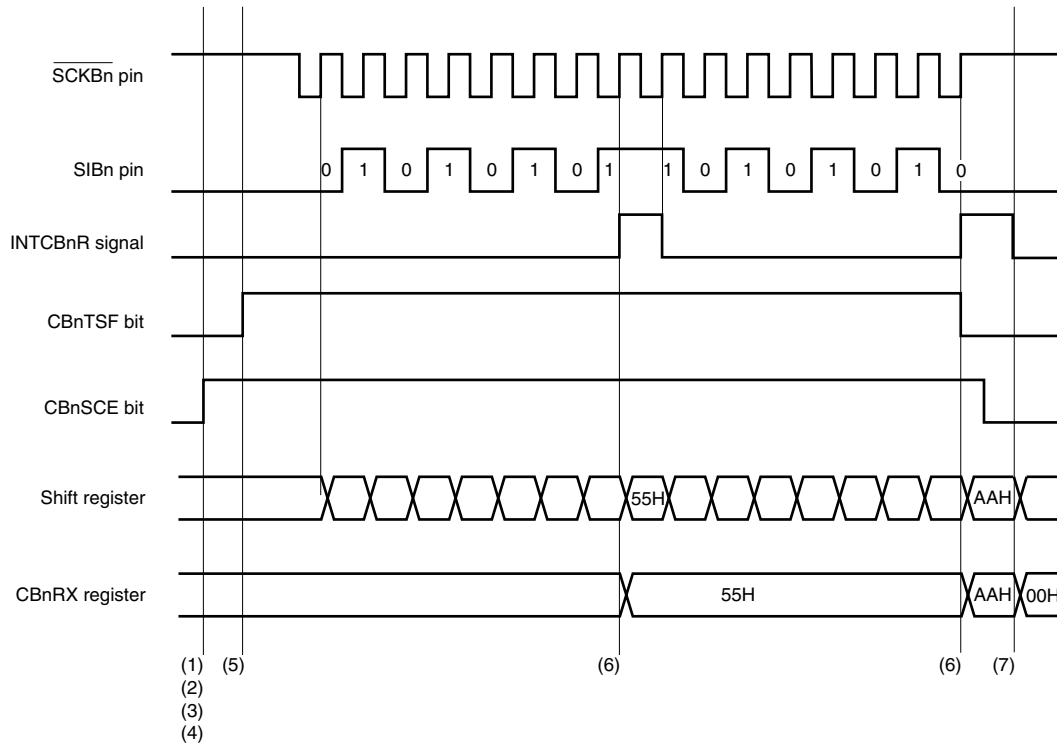
- (1) Clear the CBnCTL0.CBnPWR bit to 0.
- (2) Set the CBnCTL1 and CBnCTL2 registers to specify the transfer mode.
- (3) Set the CBnTXE, CBnRXE and CBnSCE bits of the CBnCTL0 register to 1 at the same time as specifying the transfer mode using the CBnDIR bit, to set the transmission/reception enabled status.
- (4) Set the CBnPWR bit to 1 to enable supply of the CSIBn operation.
- (5) Write the transfer data to the CBnTX register.
- (6) The transmission enable interrupt request signal (INTCBnT) is received and the transfer data is written to the CBnTX register.
- (7) The reception complete interrupt request signal (INTCBnR) is output.  
Read the CBnRX register.
- (8) Check that the CBnSTR.CBnTSF bit = 0 and set the CBnPWR bit to 0 to stop the operation of CSIBn (end of transmission/reception).

To continue transfer, repeat steps (5) to (7) before (8).

**Remark** n = 0, 1

**13.5.7 Continuous mode (slave mode, reception mode)**

This section shows the case using MSB first (CBnCTL0.CBnDIR bit = 0) and communication type 1 (see **13.3 (2) CSIBn control register 1 (CBnCTL1)**), transfer data length = 8 bits (CBnCTL2.CBnCL3 to CBnCTL2.CBnCL0 bits = 0, 0, 0, 0).



- (1) Clear the CBnCTL0.CBnPWR bit to 0.
- (2) Set the CBnCTL1 and CBnCTL2 registers to specify the transfer mode.
- (3) Set the CBnCTL0.CBnRXE and CBnCTL0.CBnSCE bits to 1 at the same time as specifying the transfer mode using the CBnDIR bit, to set the reception enabled status.
- (4) Set the CBnPWR bit = 1 to enable CSIBn operation.
- (5) Perform a dummy read of the CBnRX register (reception start trigger).
- (6) The reception complete interrupt request signal (INTCBnR) is output.  
Read the CBnRX register. When reading the last data, clear the CBnCTL0.CBnSCE bit to 0 before reading the CBnRX register.
- (7) Check that the CBnSTR.CBnTSF bit = 0 and set the CBnPWR bit to 0 to stop the operation of CSIBn (end of reception).

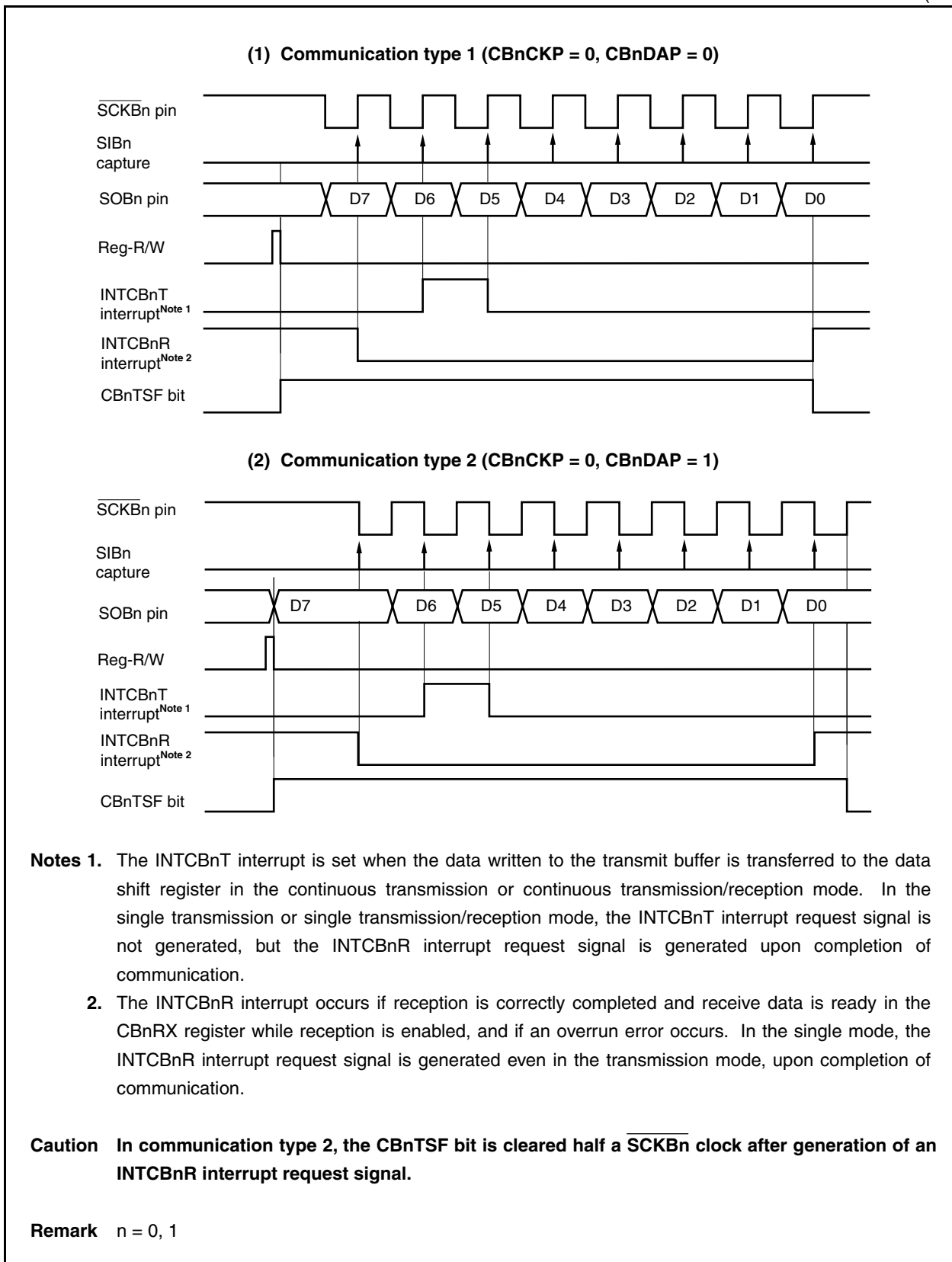
To continue transfer, repeat steps (5) and (6) before (7).

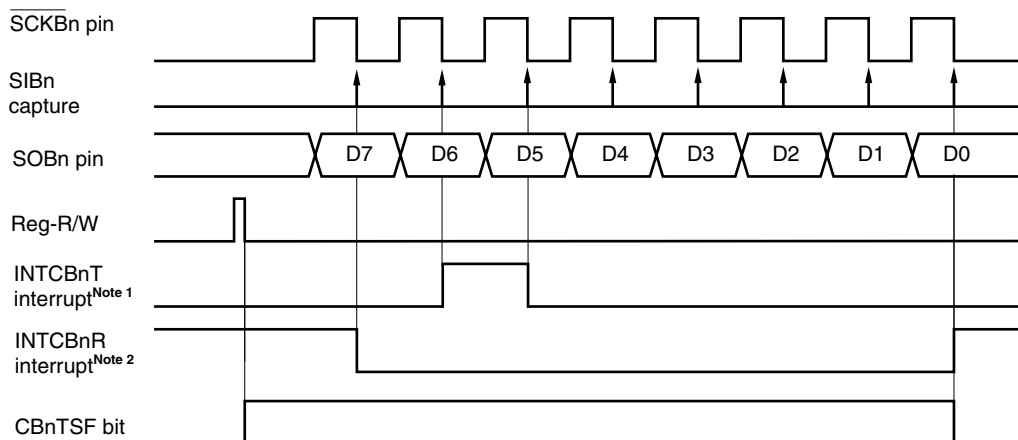
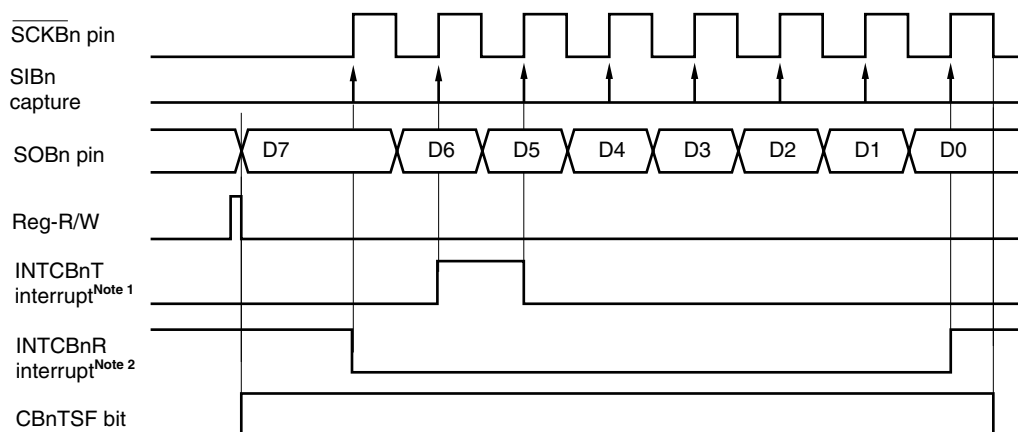
**Remark** n = 0, 1



## 13.5.8 Clock timing

(1/2)



**(3) Communication type 3 (CBnCKP = 1, CBnDAP = 0)****(4) Communication type 4 (CBnCKP = 1, CBnDAP = 1)**

**Notes 1.** The  $\text{INTCBnT}$  interrupt is set when the data written to the transmit buffer is transferred to the data shift register in the continuous transmission or continuous transmission/reception modes. In the single transmission or single transmission/reception modes, the  $\text{INTCBnT}$  interrupt request signal is not generated, but the  $\text{INTCBnR}$  interrupt request signal is generated upon completion of communication.

**2.** The  $\text{INTCBnR}$  interrupt occurs if reception is correctly completed and receive data is ready in the  $\text{CBnRX}$  register while reception is enabled, and if an overrun error occurs. In the single mode, the  $\text{INTCBnR}$  interrupt request signal is generated even in the transmission mode, upon completion of communication.

**Caution** In communication type 4, the  $\text{CBnTSF}$  bit is cleared half a  $\overline{\text{SCKBn}}$  clock after generation of an  $\text{INTCBnR}$  interrupt request signal.

**Remark**  $n = 0, 1$

### 13.6 Output Pin Status with Operation Disabled

#### (1) $\overline{\text{SCKBn}}$ pin

When CSIBn operation is disabled (CBnCTL0.CBnPWR bit = 0), the  $\overline{\text{SCKBn}}$  pin output status is as follows.

CBnCKS2	CBnCKS1	CBnCKS0	CBnCKP	$\overline{\text{SCKBn}}$ Pin Output
1	1	1	×	High impedance
Other than above			0	Fixed to high level
Other than above			1	Fixed to low level

**Remarks 1.** The output level of the  $\overline{\text{SCKBn}}$  pin changes if any of the CBnCTL1.CBnCKP and CBnCKS2 to CBnCKS0 bits is rewritten.

2. n = 0, 1
3. ×: don't care

#### (2) SOBn pin

When CSIBn operation is disabled (CBnPWR bit = 0), the SOBn pin output status is as follows.

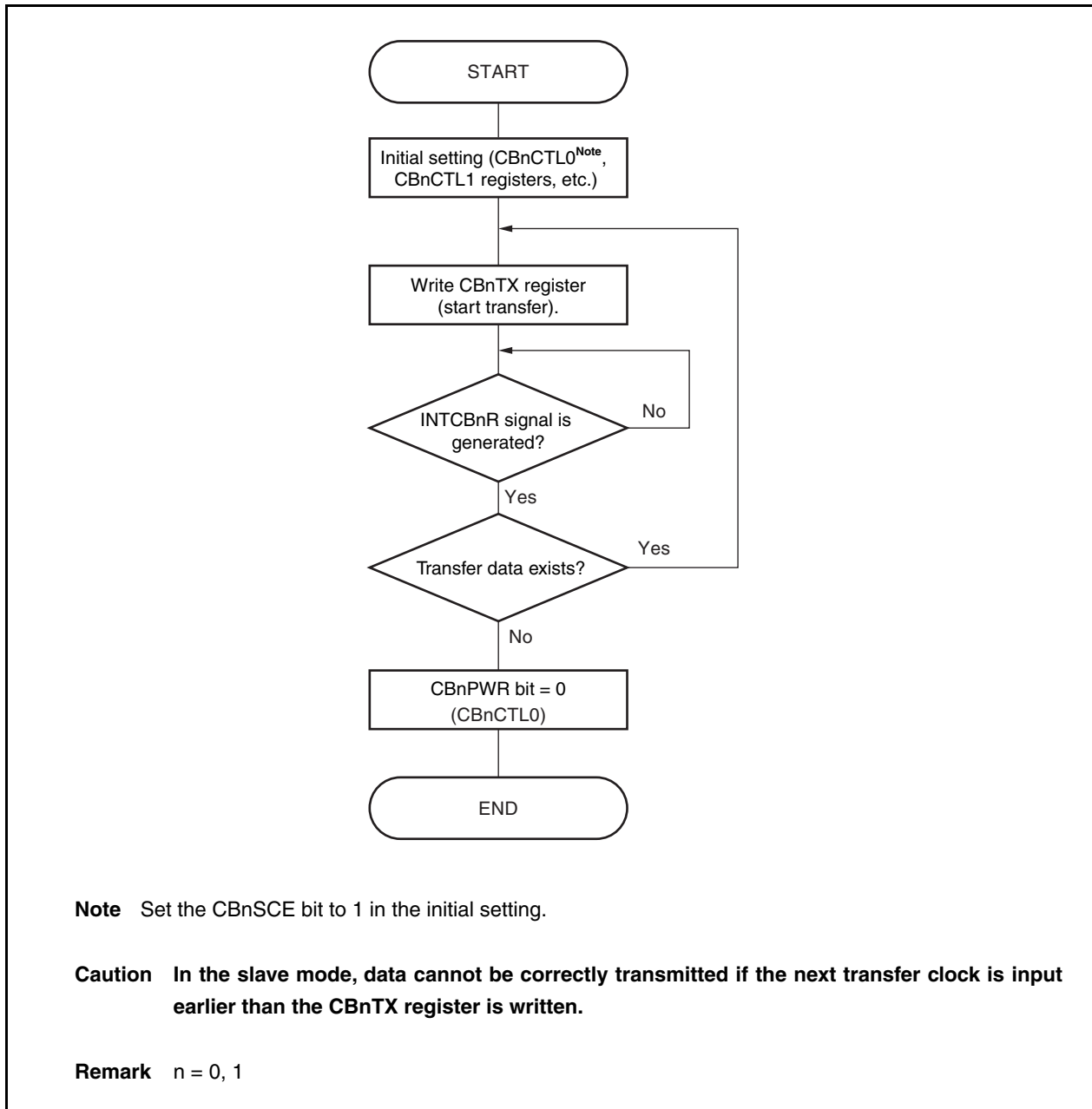
CBnTXE	CBnDAP	CBnDIR	SOBn Pin Output
0	×	×	Fixed to low level
1	0	×	SOBn latch value (low level)
	1	0	CBnTX register value (MSB)
		1	CBnTX register value (LSB)

**Remarks 1.** The SOBn pin output changes when any one of the CBnCTL0.CBnTXE, CBnCTL0.CBnDIR bits, and CBnCTL1.CBnDAP bit is rewritten.

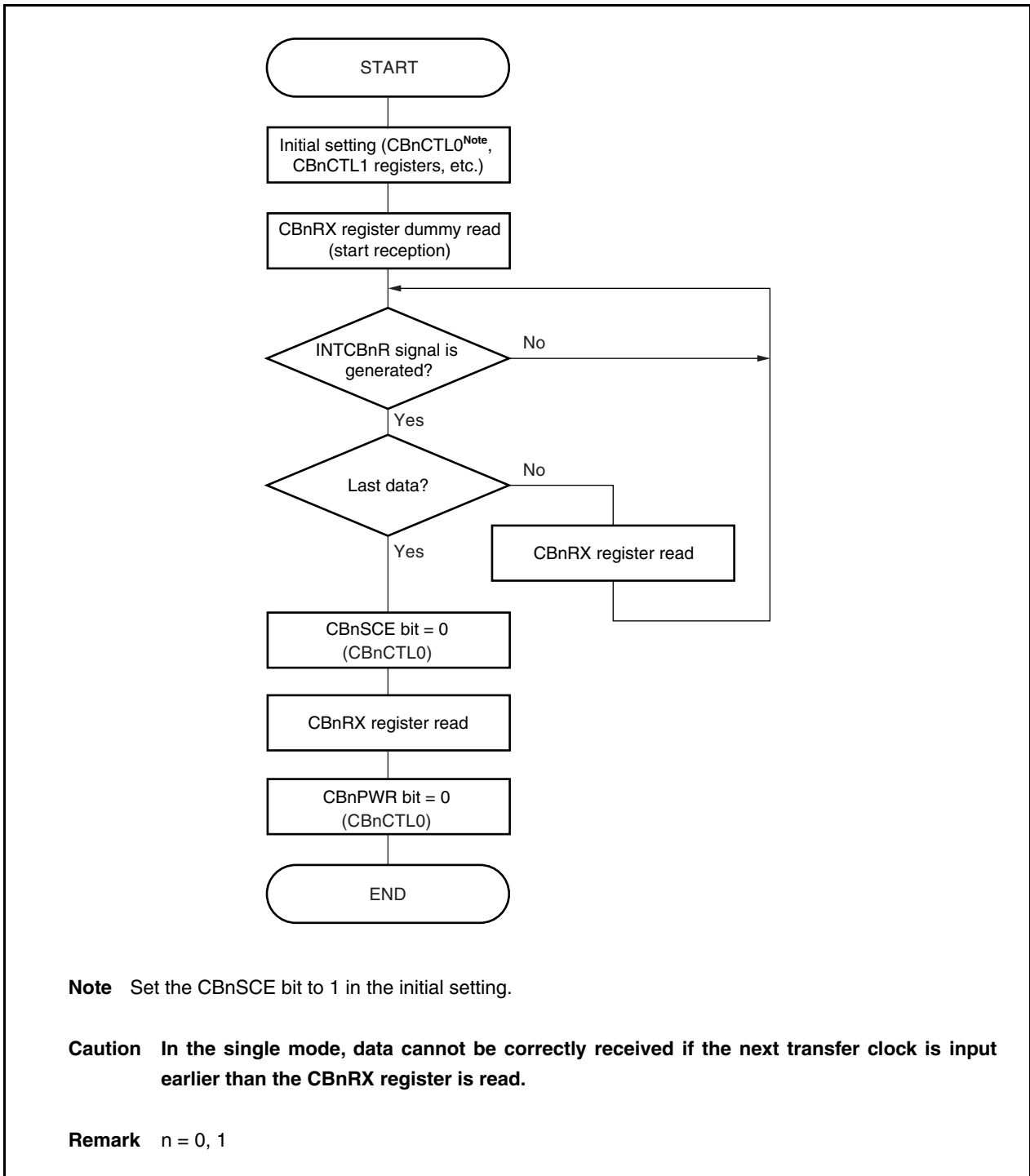
2. n = 0, 1
3. ×: don't care

## 13.7 Operation Flow

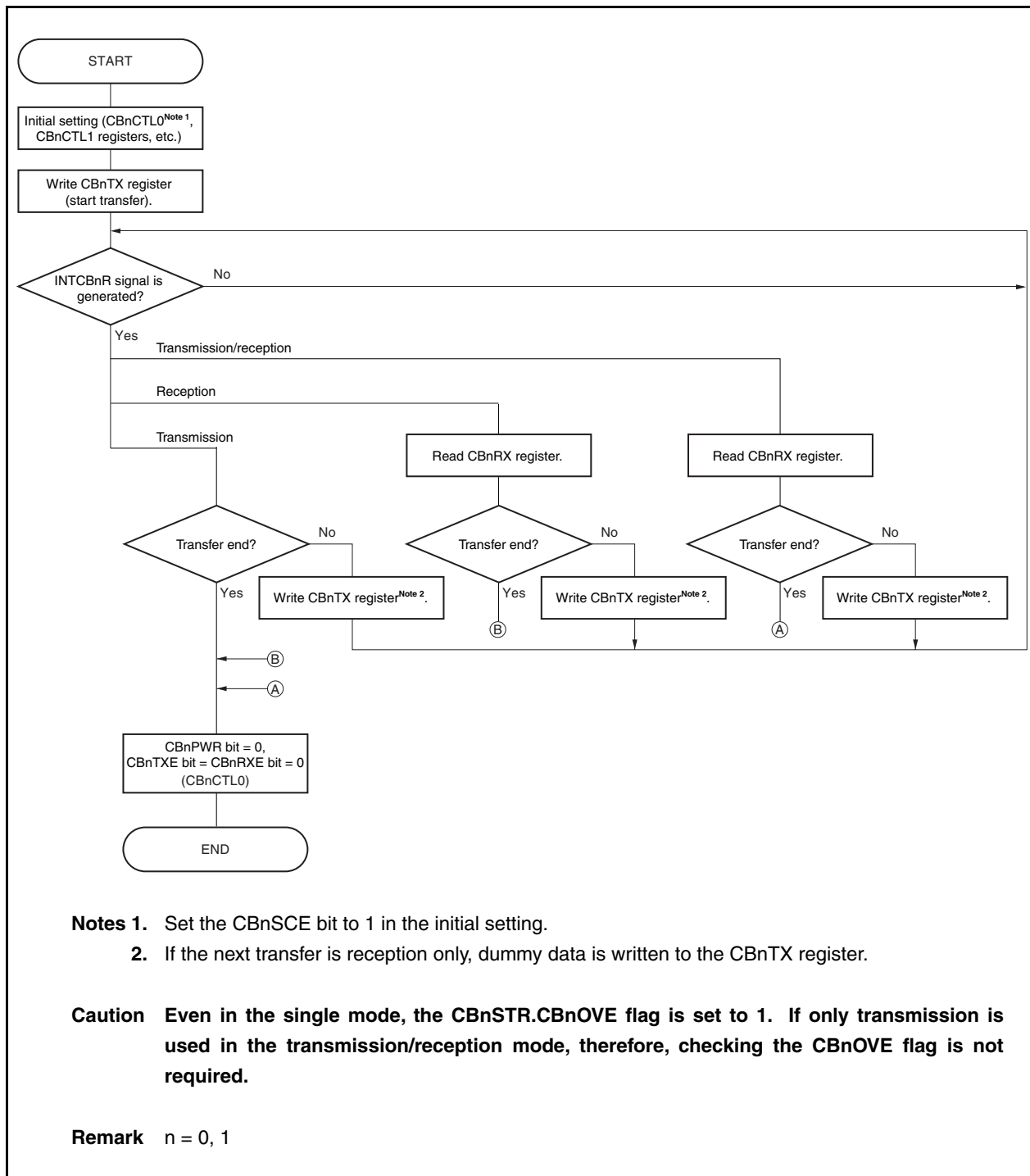
## (1) Single transmission



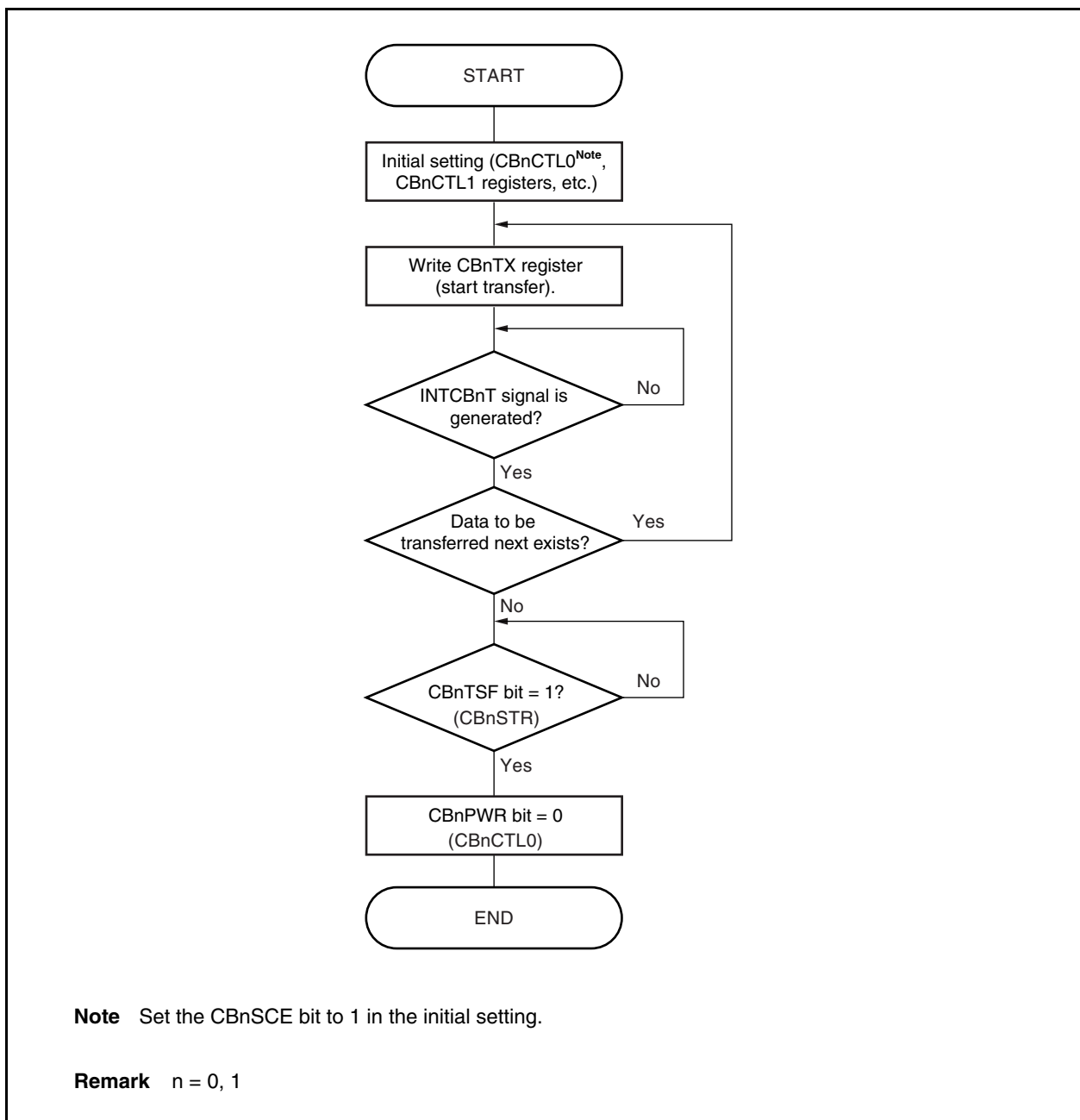
## (2) Single reception



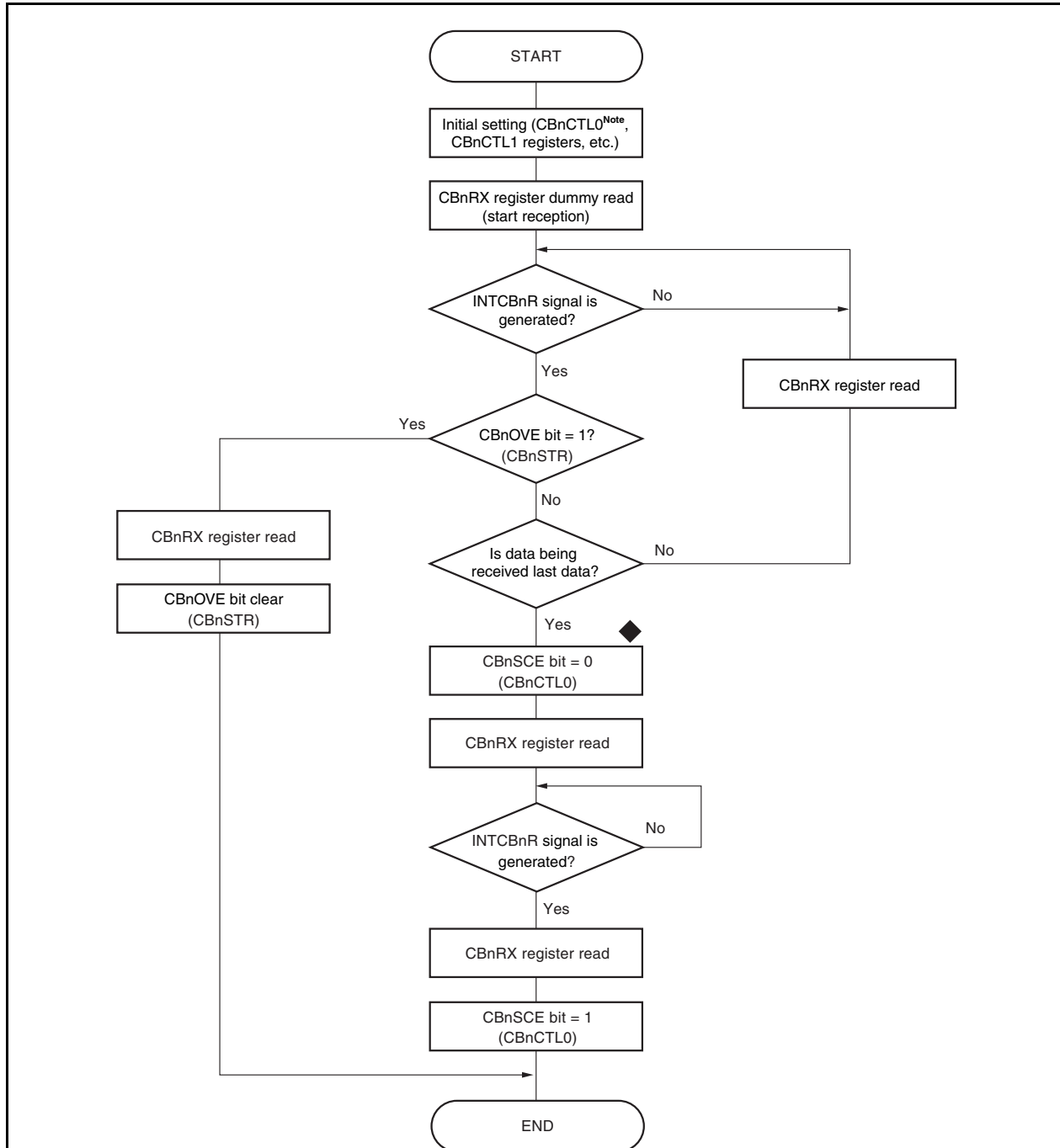
## (3) Single transmission/reception



## (4) Continuous transmission



## (5) Continuous reception



**Note** Set the CBnSCE bit to 1 in the initial setting

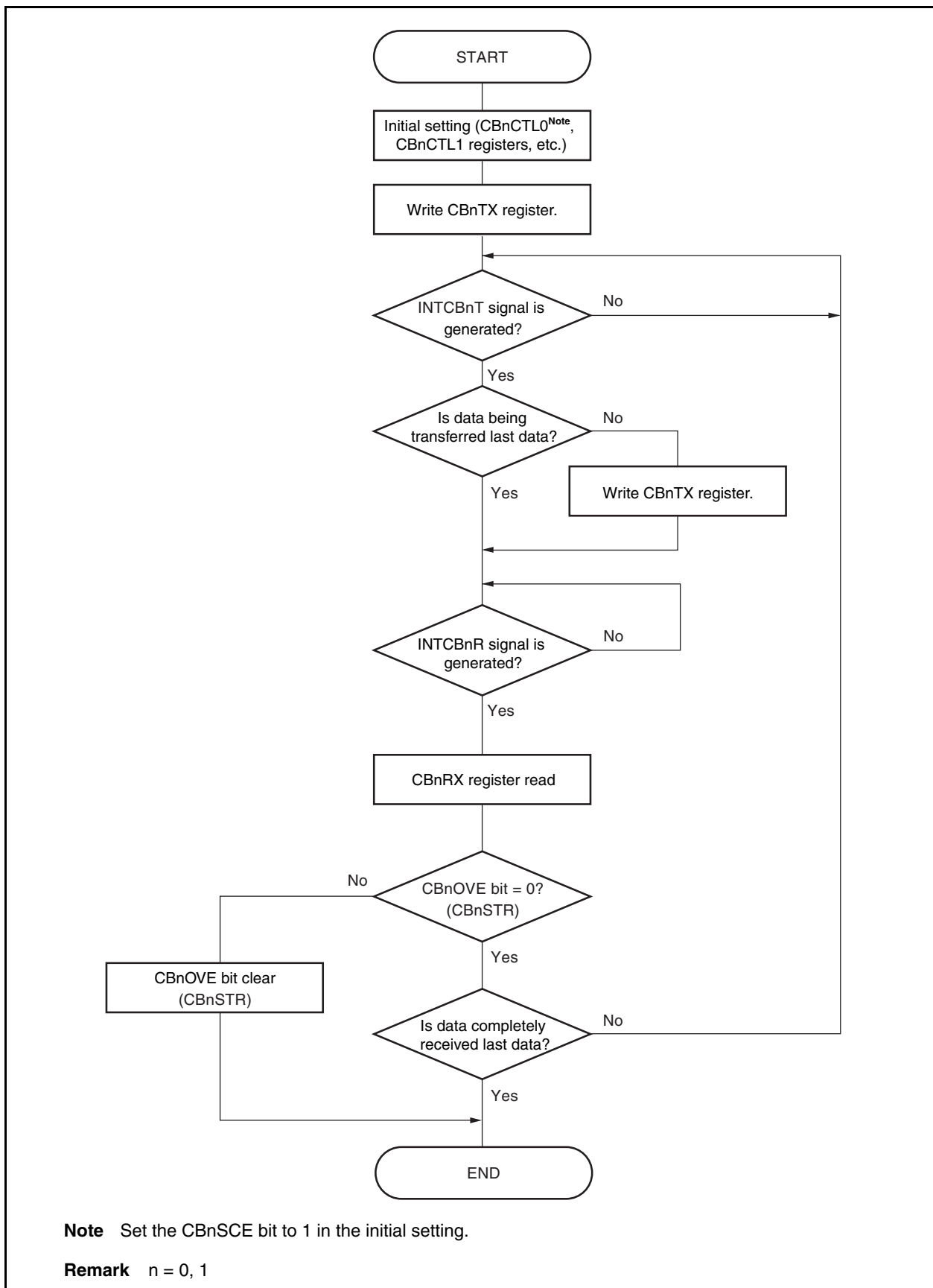
**Caution** In the master mode, the clock is output without limit when dummy data is read from the CBnRX register. To stop the clock, execute the flow marked **◆** in the above flowchart. In the slave mode, malfunction due to noise during communication can be prevented by executing the flow marked **◆** in the above flowchart.

Before resuming communication, set the CBnCTL0.CBnSCE bit to 1, and read dummy data from the CBnRX register.

**Remark** n = 0, 1



## (6) Continuous transmission/reception



### 13.8 Baud Rate Generator

The clock generated by the baud rate generator (prescaler 3) is supplied to the watch timer and CSIB0.

#### (1) Prescaler mode register 0 (PRSM0)

The PRSM0 register controls generation of the baud rate signal for CSIB.

This register can be read or written in 8-bit or 1-bit units.

Reset sets this register to 00H.

After reset: 00H    R/W    Address: FFFFF8B0H

	7	6	5	4	3	2	1	0
PRSM0	0	0	0	BGCE0	0	0	BGCS01	BGCS00

BGCE0	Baud rate output
0	Disabled
1	Enabled

BGCS01	BGCS00	Count clock selection ( $f_{BGCS}$ )		
			5 MHz	4 MHz
0	0	$f_x$	200 ns	250 ns
0	1	$f_x/2$	400 ns	500 ns
1	0	$f_x/4$	800 ns	1 $\mu$ s
1	1	$f_x/8$	1.6 $\mu$ s	2 $\mu$ s

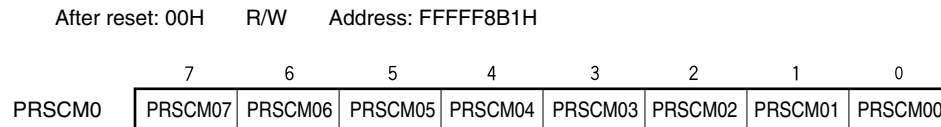
- Cautions**
1. Do not rewrite the PRSM0 register while watch timer and CSIB0 are operating.
  2. Set the PRSM0 register before setting the BGCE0 bit to 1.

**(2) Prescaler compare register 0 (PRSCM0)**

The PRSCM0 register is an 8-bit compare registers.

This register can be read or written in 8-bit units.

Reset sets this register to 00H.



- Cautions**
1. Do not rewrite the PRSCM0 register while watch timer and CSIB are operating.
  2. Set the PRSCM0 register before setting the PRSM0.BGCE0 bit to 1.

**13.8.1 Baud rate generation**

The transmission/reception clock is generated by dividing the main clock. The baud rate generated from the main clock is obtained by the following equation.

$$f_{BRG} = \frac{f_{XX}}{2^{k+1} \times N}$$

- Remark**
- $f_{BRG}$ : BRG count clock
  - $f_{XX}$ : Main clock oscillation frequency
  - k: PRSM0 register setting value = 0 to 3
  - N: PRSCM0 register setting value = 1 to 256
- However, N = 256 only when PRSCM0 register is set to 00H.

### 13.9 Cautions

(1) When transferring transmit data and receive data using DMA transfer, error processing cannot be performed even if an overrun error occurs during serial transfer. Check that the no overrun error has occurred by reading the CBnSTR.CBnOVE bit after DMA transfer has been completed.

(2) In regards to registers that are forbidden from being rewritten during operations (CBnCTL0.CBnPWR bit is 1), if rewriting has been carried out by mistake during operations, set the CBnCTL0.CBnPWR bit to 0 once, then initialize CSIBn.

Registers to which rewriting during operation are prohibited are shown below.

- CBnCTL0 register: CBnTXE, CBnRXE, CBnDIR, CBnTMS bits
- CBnCTL1 register: CBnCKP, CBnDAP, CBnCKS2 to CBnCKS0 bits
- CBnCTL2 register: CBnCL3 to CBnCL0 bits

(3) In communication type 2 and 4 (CBnCTL1.CBnDAP bit = 1), the CBnSTR.CBnTSF bit is cleared half a  $\overline{\text{SCKBn}}$  clock after occurrence of a reception complete interrupt (INTCBnR).

In the single transfer mode, writing the next transmit data is ignored during communication (CBnTSF bit = 1), and the next communication is not started. Also if reception-only communication (CBnCTL0.CBnTXE bit = 0, CBnCTL0.CBnRXE bit = 1) is set, the next communication is not started even if the receive data is read during communication (CBnTSF bit = 1).

Therefore, when using the single transfer mode with communication type 2 or 4 (CBnDAP bit = 1), pay particular attention to the following.

- To start the next transmission, confirm that CBnTSF bit = 0 and then write the transmit data to the CBnTX register.
- To perform the next reception continuously when reception-only communication (CBnTXE bit = 0, CBnRXE bit = 1) is set, confirm that CBnTSF bit = 0 and then read the CBnRX register.

Or, use the continuous transfer mode instead of the single transfer mode. Use of the continuous transfer mode is recommended especially for using DMA.

**Remark** n = 0, 1

## CHAPTER 14 DMA FUNCTION (DMA CONTROLLER)

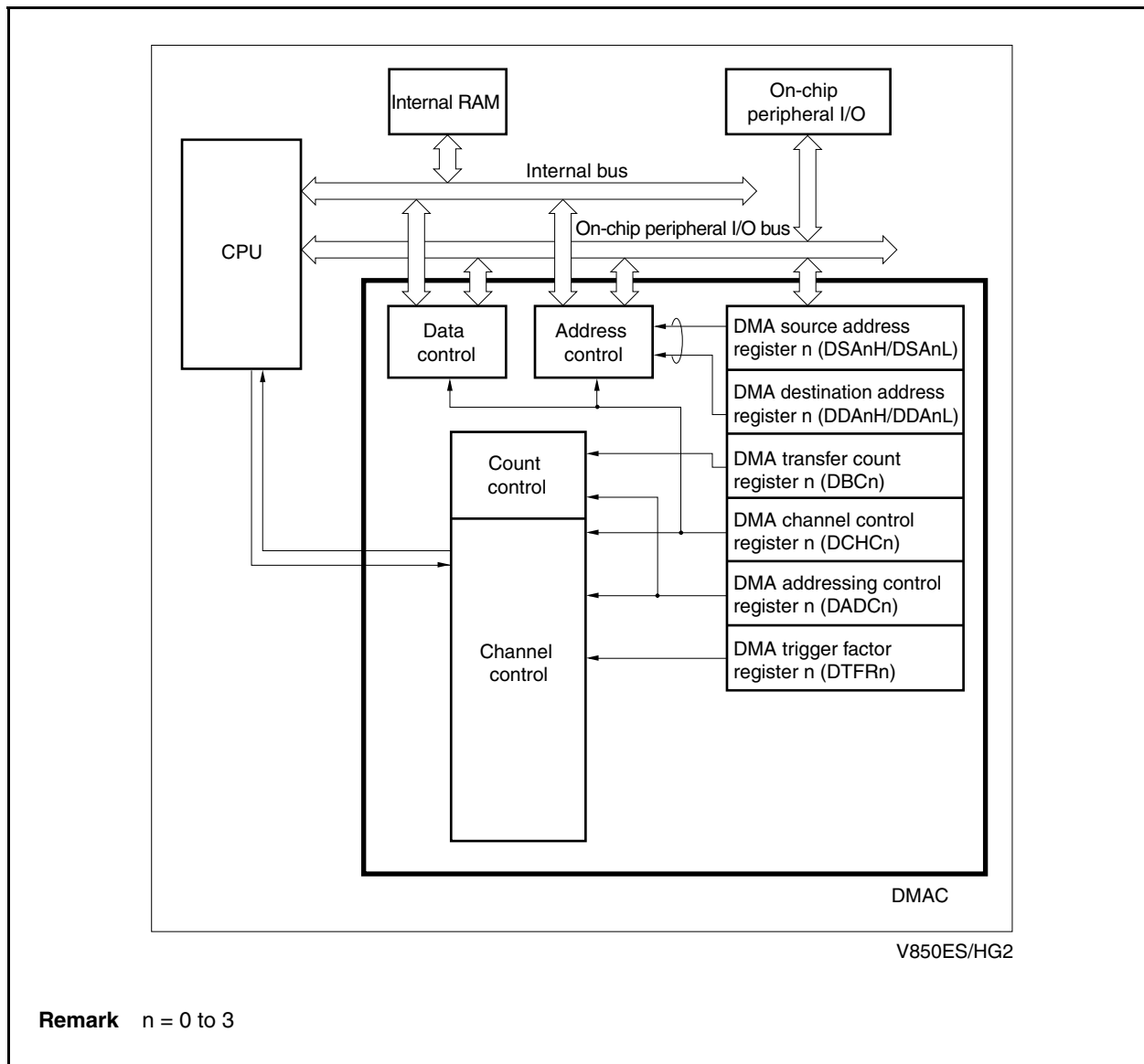
The V850ES/HG2 includes a direct memory access (DMA) controller (DMAC) that executes and controls DMA transfer.

The DMAC controls data transfer between memory and I/O, or between I/Os based on DMA requests issued by the on-chip peripheral I/O (serial interface, timer/counter, and A/D converter), interrupts from external input pins, or software triggers (memory refers to internal RAM).

### 14.1 Features

- 4 independent DMA channels
- Transfer unit: 8/16 bits
- Maximum transfer count: 65,536 ( $2^{16}$ )
- Transfer type: Two-cycle transfer
- Transfer mode: Single transfer mode
- Transfer requests
  - Request by interrupts from on-chip peripheral I/O (serial interface, timer/counter, A/D converter) or interrupts from external input pin
  - Requests by software trigger
- Transfer targets
  - Internal RAM ↔ Peripheral I/O
  - Peripheral I/O ↔ Peripheral I/O

14.2 Configuration



### 14.3 Registers

#### (1) DMA source address registers 0 to 3 (DSA0 to DSA3)

The DSA0 to DSA3 registers set the DMA source addresses (26 bits each) for DMA channel n (n = 0 to 3).

These registers are divided into two 16-bit registers, DSA<sub>n</sub>H and DSA<sub>n</sub>L.

These registers can be read or written in 16-bit units.

After reset: Undefined R/W Address: DSA0H FFFFF082H, DSA1H FFFFF08AH,  
DSA2H FFFFF092H, DSA3H FFFFF09AH,  
DSA0L FFFFF080H, DSA1L FFFFF088H,  
DSA2L FFFFF090H, DSA3L FFFFF098H

	15	14	13	12	11	10	9	8	7	6	5	4	3	2	1	0
DSA <sub>n</sub> H (n = 0 to 3)	IR	0	0	0	0	0	SA25	SA24	SA23	SA22	SA21	SA20	SA19	SA18	SA17	SA16

	15	14	13	12	11	10	9	8	7	6	5	4	3	2	1	0
DSA <sub>n</sub> L (n = 0 to 3)	SA15	SA14	SA13	SA12	SA11	SA10	SA9	SA8	SA7	SA6	SA5	SA4	SA3	SA2	SA1	SA0

IR	Specification of DMA transfer source
0	On-chip peripheral I/O
1	Internal RAM

SA25 to SA16	Set the address (A25 to A16) of the DMA transfer source (default value is undefined). During DMA transfer, the next DMA transfer source address is held. When DMA transfer is completed, the DMA address set first is held.
--------------	---

SA15 to SA0	Set the address (A15 to A0) of the DMA transfer source (default value is undefined). During DMA transfer, the next DMA transfer source address is held. When DMA transfer is completed, the DMA address set first is held.
-------------	--

- Cautions**
- Be sure to clear bits 14 to 10 of the DSA<sub>n</sub>H register to 0.
  - Set the DSA<sub>n</sub>H and DSA<sub>n</sub>L registers at the following timing when DMA transfer is disabled (DCHC<sub>n</sub>.Enn bit = 0).
    - Period from after reset to start of first DMA transfer
    - Period from after channel initialization by DCHC<sub>n</sub>.INIT<sub>n</sub> bit to start of DMA transfer
    - Period from after completion of DMA transfer (DCHC<sub>n</sub>.TC<sub>n</sub> bit = 1) to start of the next DMA transfer
  - When the value of the DSA<sub>n</sub> register is read, two 16-bit registers, DSA<sub>n</sub>H and DSA<sub>n</sub>L, are read. If reading and updating conflict, the value being updated may be read (see 14.13 Cautions).
  - Following reset, set the DSA<sub>n</sub>H, DSA<sub>n</sub>L, DDAnH, DDAnL, and DBC<sub>n</sub> registers before starting DMA transfer. If these registers are not set, the operation when DMA transfer is started is not guaranteed.

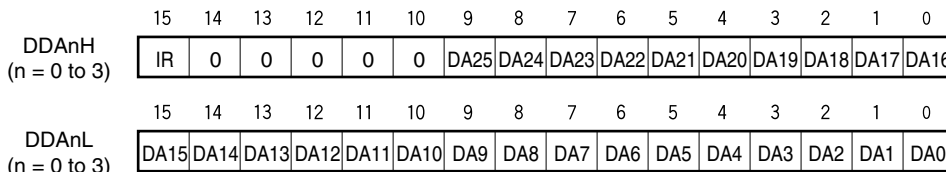
**(2) DMA destination address registers 0 to 3 (DDA0 to DDA3)**

The DDA0 to DDA3 registers set the DMA destination address (26 bits each) for DMA channel n (n = 0 to 3).

These registers are divided into two 16-bit registers, DDAnH and DDAnL.

These registers can be read or written in 16-bit units.

After reset: Undefined    R/W    Address: DDA0H FFFFF086H, DDA1H FFFFF08EH,  
 DA2H FFFFF096H, DDA3H FFFFF09EH,  
 DDA0L FFFFF084H, DDA1L FFFFF08CH,  
 DDA2L FFFFF094H, DDA3L FFFFF09CH



IR	Specification of DMA transfer destination
0	On-chip peripheral I/O
1	Internal RAM

DA25 to DA16	Set an address (A25 to A16) of DMA transfer destination (default value is undefined). During DMA transfer, the next DMA transfer destination address is held. When DMA transfer is completed, the DMA transfer source address set first is held.
--------------	--

DA15 to DA0	Set an address (A15 to A0) of DMA transfer destination (default value is undefined). During DMA transfer, the next DMA transfer destination address is held. When DMA transfer is completed, the DMA transfer source address set first is held.
-------------	---

- Cautions**
- Be sure to clear bits 14 to 10 of the DDAnH register to 0.
  - Set the DDAnH and DDAnL registers at the following timing when DMA transfer is disabled (DCHCn.Enn bit = 0).
    - Period from after reset to start of first DMA transfer
    - Period from after channel initialization by DCHCn.INITn bit to start of DMA transfer
    - Period from after completion of DMA transfer (DCHCn.TCn bit = 1) to start of the next DMA transfer
  - When the value of the DDAn register is read, two 16-bit registers, DDAnH and DDAnL, are read. If reading and updating conflict, a value being updated may be read (see 14.13 Cautions).
  - Following reset, set the DSAnH, DSAnL, DDAnH, DDAnL, and DBCn registers before starting DMA transfer. If these registers are not set, the operation when DMA transfer is started is not guaranteed.



**(3) DMA byte count registers 0 to 3 (DBC0 to DBC3)**

The DBC0 to DBC3 registers are 16-bit registers that set the byte transfer count for DMA channel n (n = 0 to 3).

These registers hold the remaining transfer count during DMA transfer.

These registers are decremented by 1 per one transfer regardless of the transfer data unit (8/16 bits), and the transfer is terminated if a borrow occurs.

These registers can be read or written in 16-bit units.

After reset: Undefined    R/W    Address: DBC0 FFFFF0C0H, DBC1 FFFFF0C2H,  
DBC2 FFFFF0C4H, DBC3 FFFFF0C6H

	15	14	13	12	11	10	9	8	7	6	5	4	3	2	1	0
DBCn (n = 0 to 3)	BC15	BC14	BC13	BC12	BC11	BC10	BC9	BC8	BC7	BC6	BC5	BC4	BC3	BC2	BC1	BC0

BC15 to BC0	Byte transfer count setting or remaining byte transfer count during DMA transfer
0000H	Byte transfer count 1 or remaining byte transfer count
0001H	Byte transfer count 2 or remaining byte transfer count
:	:
FFFFH	Byte transfer count 65,536 ( $2^{16}$ ) or remaining byte transfer count
The number of transfer data set first is held when DMA transfer is complete.	

**Cautions 1. Set the DBCn register at the following timing when DMA transfer is disabled (DCHCn.Enn bit = 0).**

- Period from after reset to start of first DMA transfer
- Period from after channel initialization by DCHCn.INITn bit to start of DMA transfer
- Period from after completion of DMA transfer (DCHCn.TCn bit = 1) to start of the next DMA transfer

**2. Following reset, set the DSAnH, DSAnL, DDAnH, DDAnL, and DBCn registers before starting DMA transfer. If these registers are not set, the operation when DMA transfer is started is not guaranteed.**

**(4) DMA addressing control registers 0 to 3 (DADC0 to DADC3)**

The DADC0 to DADC3 registers are 16-bit registers that control the DMA transfer mode for DMA channel n (n = 0 to 3).

These registers can be read or written in 16-bit units.

Reset sets these registers to 0000H.

After reset: 0000H    R/W    Address: DADC0 FFFF0D0H, DADC1 FFFF0D2H,  
DADC2 FFFF0D4H, DADC3 FFFF0D6H

DADCn (n = 0 to 3)	15	14	13	12	11	10	9	8
	0	DS0	0	0	0	0	0	0
	7	6	5	4	3	2	1	0
	SAD1	SAD0	DAD1	DAD0	0	0	0	0

DS0	Setting of transfer data size	
0	8 bits	
1	16 bits	

SAD1	SAD0	Setting of count direction of the transfer source address
0	0	Increment
0	1	Decrement
1	0	Fixed
1	1	Setting prohibited

DAD1	DAD0	Setting of count direction of the destination address
0	0	Increment
0	1	Decrement
1	0	Fixed
1	1	Setting prohibited

- Cautions**
- Be sure to clear bits 15, 13 to 8, and 3 to 0 of the DADCn register to "0".
  - Set the DADCn register at the following timing when DMA transfer is disabled (DCHCn.Enn bit = 0).
    - Period from after reset to start of first DMA transfer
    - Period from after channel initialization by DCHCn.INITn bit to start of DMA transfer
    - Period from after completion of DMA transfer (DCHCn.TCn bit = 1) to start of the next DMA transfer
  - The DS0 bit specifies the size of the transfer data, and does not control bus sizing. If 8-bit data (DS0 bit = 0) is set, therefore, the lower data bus is not always used.
  - If the transfer data size is set to 16 bits (DS0 bit = 1), transfer cannot be started from an odd address. Transfer is always started from an address with the first bit of the lower address aligned to 0.
  - If DMA transfer is executed on an on-chip peripheral I/O register (as the transfer source or destination), be sure to specify the same transfer size as the register size. For example, to execute DMA transfer on an 8-bit register, be sure to specify 8-bit transfer.

**(5) DMA channel control registers 0 to 3 (DCHC0 to DCHC3)**

The DCHC0 to DCHC3 registers are 8-bit registers that control the DMA transfer operating mode for DMA channel n.

These registers can be read or written in 8-bit or 1-bit units. (However, bit 7 is read-only and bits 1 and 2 are write-only. If bit 1 or 2 is read, the read value is always 0.)

Reset sets these registers to 00H.

After reset: 00H	R/W	Address: DCHC0 FFFF0E0H, DCHC1 FFFF0E2H, DCHC2 FFFF0E4H, DCHC3 FFFF0E6H						
DCHCn	7	6	5	4	3	2	1	0
(n = 0 to 3)	TCn <sup>Note 1</sup>	0	0	0	0	INITn <sup>Note 2</sup>	STGn <sup>Note 2</sup>	Enn

TCn <sup>Note 1</sup>	Status flag indicates whether DMA transfer through DMA channel n has completed or not
0	DMA transfer had not completed.
1	DMA transfer had completed.
It is set to 1 on the last DMA transfer and cleared to 0 when it is read.	

INITn <sup>Note 2</sup>	If the INITn bit is set to 1 with DMA transfer disabled (Enn bit = 0), the DMA transfer status can be initialized. When re-setting the DMA transfer status (re-setting the DDAnH, DDAnL, DSAnH, DSAnL, DBCn, and DADCn registers) before DMA transfer is completed (before the TCn bit is set to 1), be sure to initialize the DMA channel. When initializing the DMA controller, however, be sure to observe the procedure described in <b>14.13 Cautions</b> .
-------------------------	--

STGn <sup>Note 2</sup>	This is a software startup trigger of DMA transfer. If this bit is set to 1 in the DMA transfer enable state (TCn bit = 0, Enn bit = 1), DMA transfer is started.
------------------------	--

Enn	Setting of whether DMA transfer through DMA channel n is to be enabled or disabled
0	DMA transfer disabled
1	DMA transfer enabled
DMA transfer is enabled when the Enn bit is set to 1. When DMA transfer is completed (when a terminal count is generated), this bit is automatically cleared to 0. To abort DMA transfer, clear the Enn bit to 0 by software. To resume, set the Enn bit to 1 again. When aborting or resuming DMA transfer, however, be sure to observe the procedure described in <b>14.13 Cautions</b> .	

**Notes**

1. The TCn bit is read-only.
2. The INITn and STGn bits are write-only.

**Cautions**

1. Be sure to clear bits 6 to 3 of the DCHCn register to “0”.
2. When DMA transfer is completed (when a terminal count is generated), the Enn bit is cleared to 0 and then the TCn bit is set to 1. If the DCHCn register is read while its bits are being updated, a value indicating “transfer not completed and transfer is disabled” (TCn bit = 0 and Enn bit = 0) may be read.

**(6) DMA trigger factor registers 0 to 3 (DTFR0 to DTFR3)**

The DTFR0 to DTFR3 registers are 8-bit registers that control the DMA transfer start trigger via interrupt request signals from on-chip peripheral I/O.

The interrupt request signals set by these registers serve as DMA transfer start factors.

These registers can be read or written in 8-bit units. However, DF<sub>n</sub> bit can be read or written in 1-bit units.

Reset sets these registers to 00H.

After reset: 00H    R/W    Address: DTFR0 FFFFF810H, DTFR1 FFFFF812H,  
DTFR2 FFFFF814H, DTFR3 FFFFF816H

	7	6	5	4	3	2	1	0
DTFR <sub>n</sub>	DF <sub>n</sub>	0	IFC <sub>n5</sub>	IFC <sub>n4</sub>	IFC <sub>n3</sub>	IFC <sub>n2</sub>	IFC <sub>n1</sub>	IFC <sub>n0</sub>

(n = 0 to 3)

DF <sub>n</sub> <sup>Note</sup>	DMA transfer request flag
0	No DMA transfer request
1	DMA transfer request

**Note** The DF<sub>n</sub> bit is a write-only bit. Write 0 to this bit to clear a DMA transfer request if an interrupt that is specified as the cause of starting DMA transfer occurs while DMA transfer is disabled.

**Cautions 1.** Set the IFC<sub>n5</sub> to IFC<sub>n0</sub> bits at the following timing when DMA transfer is disabled (DCHC<sub>n</sub>.Enn bit = 0).

- Period from after reset to start of first DMA transfer
  - Period from after channel initialization by DCHC<sub>n</sub>.INIT<sub>n</sub> bit to start of DMA transfer
  - Period from after completion of DMA transfer (DCHC<sub>n</sub>.TC<sub>n</sub> bit = 1) to start of the next DMA transfer
2. An interrupt request that is generated in the standby mode (IDEL1, IDLE2, STOP, or sub-IDLE mode) does not start the DMA transfer cycle (nor is the DF<sub>n</sub> bit set to 1).
  3. If a DMA start factor is selected by the IFC<sub>n5</sub> to IFC<sub>n0</sub> bits, the DF<sub>n</sub> bit is set to 1 when an interrupt occurs from the selected on-chip peripheral I/O, regardless of whether the DMA transfer is enabled or disabled. If DMA is enabled in this status, DMA transfer is immediately started.

**Remark** For the IFC<sub>n5</sub> to IFC<sub>n0</sub> bits, see **Table 14-1 DMA Start Factors**.

Table 14-1. DMA Start Factors (1/2)

IFCn5	IFCn4	IFCn3	IFCn2	IFCn1	IFCn0	Interrupt Source
0	0	0	0	0	0	DMA request by interrupt disabled
0	0	0	0	0	1	INTLVI
0	0	0	0	1	0	INTP0
0	0	0	0	1	1	INTP1
0	0	0	1	0	0	INTP2
0	0	0	1	0	1	INTP3
0	0	0	1	1	0	INTP4
0	0	0	1	1	1	INTP5
0	0	1	0	0	0	INTP6
0	0	1	0	0	1	INTP7
0	0	1	0	1	0	INTTQ0OV
0	0	1	0	1	1	INTTQ0CC0
0	0	1	1	0	0	INTTQ0CC1
0	0	1	1	0	1	INTTQ0CC2
0	0	1	1	1	0	INTTQ0CC3
0	0	1	1	1	1	INTTP0OV
0	1	0	0	0	0	INTTP0CC0
0	1	0	0	0	1	INTTP0CC1
0	1	0	0	1	0	INTTP1OV
0	1	0	0	1	1	INTTP1CC0
0	1	0	1	0	0	INTTP1CC1
0	1	0	1	0	1	INTTP2OV
0	1	0	1	1	0	INTTP2CC0
0	1	0	1	1	1	INTTP2CC1
0	1	1	0	0	0	INTTP3OV
0	1	1	0	0	1	INTTP3CC0
0	1	1	0	1	0	INTTP3CC1
0	1	1	0	1	1	INTTM0EQ0
0	1	1	1	0	0	INTCB0R
0	1	1	1	0	1	INTCB0T
0	1	1	1	1	0	INTCB1R
0	1	1	1	1	1	INTCB1T
1	0	0	0	0	0	INTUA0R
1	0	0	0	0	1	INTUA0T
1	0	0	0	1	0	INTUA1R
1	0	0	0	1	1	INTUA1T
1	0	0	1	0	0	INTAD
1	0	1	0	0	1	INTKR
1	0	1	0	1	0	INTTQ1OV

**Remark** n = 0 to 3

Table 14-1. DMA Start Factors (2/2)

IFCn5	IFCn4	IFCn3	IFCn2	IFCn1	IFCn0	Interrupt Source
1	0	1	0	1	1	INTTQ1CC0
1	0	1	1	0	0	INTTQ1CC1
1	0	1	1	0	1	INTTQ1CC2
1	0	1	1	1	0	INTTQ1CC3
1	0	1	1	1	1	INTUA2R
1	1	0	0	0	0	INTUA2T

**Remark** n = 0 to 3

## 14.4 Transfer Targets

Table 14-2 shows the relationship between the transfer targets (√: Transfer enabled, ×: Transfer disabled).

**Table 14-2. Relationship Between Transfer Targets**

		Transfer Destination		
		Internal ROM	On-Chip Peripheral I/O	Internal RAM
Source	On-chip peripheral I/O	×	√	√
	Internal RAM	×	√	×
	Internal ROM	×	×	×

**Caution** The operation is not guaranteed for combinations of transfer destination and source marked with “×” in Table 14-2.

## 14.5 Transfer Modes

Single transfer is supported as the transfer mode.

In single transfer mode, the bus is released at each byte/halfword transfer. If there is a subsequent DMA transfer request, transfer is performed again once. This operation continues until a terminal count occurs.

When the DMAC has released the bus, if another higher priority DMA transfer request is issued, the higher priority DMA request always takes precedence.

If a new transfer request of the same channel and a transfer request of another channel with a lower priority are generated in a transfer cycle, DMA transfer of the channel with the lower priority is executed after the bus is released to the CPU (the new transfer request of the same channel is ignored in the transfer cycle).

## 14.6 Transfer Types

As a transfer type, the 2-cycle transfer is supported.

In two-cycle transfer, data transfer is performed in two cycles, a read cycle and a write cycle.

In the read cycle, the transfer source address is output and reading is performed from the source to the DMAC. In the write cycle, the transfer destination address is output and writing is performed from the DMAC to the destination.

An idle cycle of one clock is always inserted between a read cycle and a write cycle. If the data bus width differs between the transfer source and destination for DMA transfer of two cycles, the operation is performed as follows.

<16-bit data transfer>

<1> Transfer from 32-bit bus → 16-bit bus

A read cycle (the higher 16 bits are in a high-impedance state) is generated, followed by generation of a write cycle (16 bits).

<2> Transfer from 16-/32-bit bus to 8-bit bus

A 16-bit read cycle is generated once, and then an 8-bit write cycle is generated twice.

<3> Transfer from 8-bit bus to 16-/32-bit bus

An 8-bit read cycle is generated twice, and then a 16-bit write cycle is generated once.

<4> Transfer between 16-bit bus and 32-bit bus

A 16-bit read cycle is generated once, and then a 16-bit write cycle is generated once.

For DMA transfer executed to an on-chip peripheral I/O register (transfer source/destination), be sure to specify the same transfer size as the register size. For example, for DMA transfer to an 8-bit register, be sure to specify byte (8-bit) transfer.

**Remark** The bus width of each transfer target (transfer source/destination) is as follows.

- On-chip peripheral I/O: 16-bit bus width
- Internal RAM: 32-bit bus width



## 14.7 DMA Channel Priorities

The DMA channel priorities are fixed as follows.

DMA channel 0 > DMA channel 1 > DMA channel 2 > DMA channel 3

The priorities are checked for every transfer cycle.

## 14.8 Time Related to DMA Transfer

The time required to respond to a DMA request, and the minimum number of clocks required for DMA transfer are shown below.

Single transfer: DMA response time (<1>) + Transfer source memory access (<2>) + 1<sup>Note 1</sup> + Transfer destination memory access (<2>)

DMA Cycle		Minimum Number of Execution Clocks
<1> DMA request response time		4 clocks (MIN.) + Noise elimination time <sup>Note 2</sup>
<2> Memory access	Internal RAM access	2 clocks <sup>Note 3</sup>
	Peripheral I/O register access	3 clocks + Number of wait cycles specified by VSWC register <sup>Note 4</sup>

- Notes**
- One clock is always inserted between a read cycle and a write cycle in DMA transfer.
  - If an external interrupt (INTPn) is specified as the trigger to start DMA transfer, noise elimination time is added (n = 0 to 10).
  - Two clocks are required for a DMA cycle.
  - More wait cycles are necessary for accessing a specific peripheral I/O register (for details, see **3.4.8 (2)**).

## 14.9 DMA Transfer Start Factors

There are two types of DMA transfer start factors, as shown below.

### (1) Request by software

If the STGn bit is set to 1 while the DCHCn.TCn bit = 1 and Enn bit = 1 (DMA transfer enabled), DMA transfer is started.

To request the next DMA transfer cycle immediately after that, confirm, by using the DBCn register, that the preceding DMA transfer cycle has been completed, and set the STGn bit to 1 again (n = 0 to 3).

TCn bit = 0, Enn bit = 1

↓

STGn bit = 1 ... Starts the first DMA transfer.

↓

Confirm that the contents of the DBCn register have been updated.

STGn bit = 1 ... Starts the second DMA transfer.

↓

:

↓

Generation of terminal count ... Enn bit = 0, TCn bit = 1, and INTDMA<sub>n</sub> signal is generated.

### (2) Request by on-chip peripheral I/O

If an interrupt request is generated from the on-chip peripheral I/O set by the DTFRn register when the DCHCn.TCn bit = 0 and Enn bit = 1 (DMA transfer enabled), DMA transfer is started.

- Cautions**
- Two start factors (software trigger and hardware trigger) cannot be used for one DMA channel. If two start factors are simultaneously generated for one DMA channel, only one of them is valid. The start factor that is valid cannot be identified.**
  - A new transfer request that is generated after the preceding DMA transfer request was generated or in the preceding DMA transfer cycle is ignored (cleared).**
  - The transfer request interval of the same DMA channel varies depending on the setting of bus wait in the DMA transfer cycle, the start status of the other channels, or the external bus hold request. In particular, as described in Caution 2, a new transfer request that is generated for the same channel before the DMA transfer cycle or during the DMA transfer cycle is ignored. Therefore, the transfer request intervals for the same DMA channel must be sufficiently separated by the system. When the software trigger is used, completion of the DMA transfer cycle that was generated before can be checked by updating the DBCn register.**

### 14.10 DMA Abort Factors

DMA transfer is aborted if a bus hold occurs.

The same applies if transfer is executed between the internal memory/on-chip peripheral I/O and internal memory/on-chip peripheral I/O.

When the bus hold is cleared, DMA transfer is resumed.

### 14.11 End of DMA Transfer

When DMA transfer has been completed the number of times set to the DBCn register and when the DCHCn.Enn bit is cleared to 0 and TCn bit is set to 1, a DMA transfer end interrupt request signal (INTDMA<sub>n</sub>) is generated for the interrupt controller (INTC) (n = 0 to 3).

The V850ES/HG2 does not output a terminal count signal to an external device. Therefore, confirm completion of DMA transfer by using the DMA transfer end interrupt or polling the TCn bit.

### 14.12 Operation Timing

Figures 14-1 to 14-4 show DMA operation timing.

Figure 14-1. Priority of DMA (1)

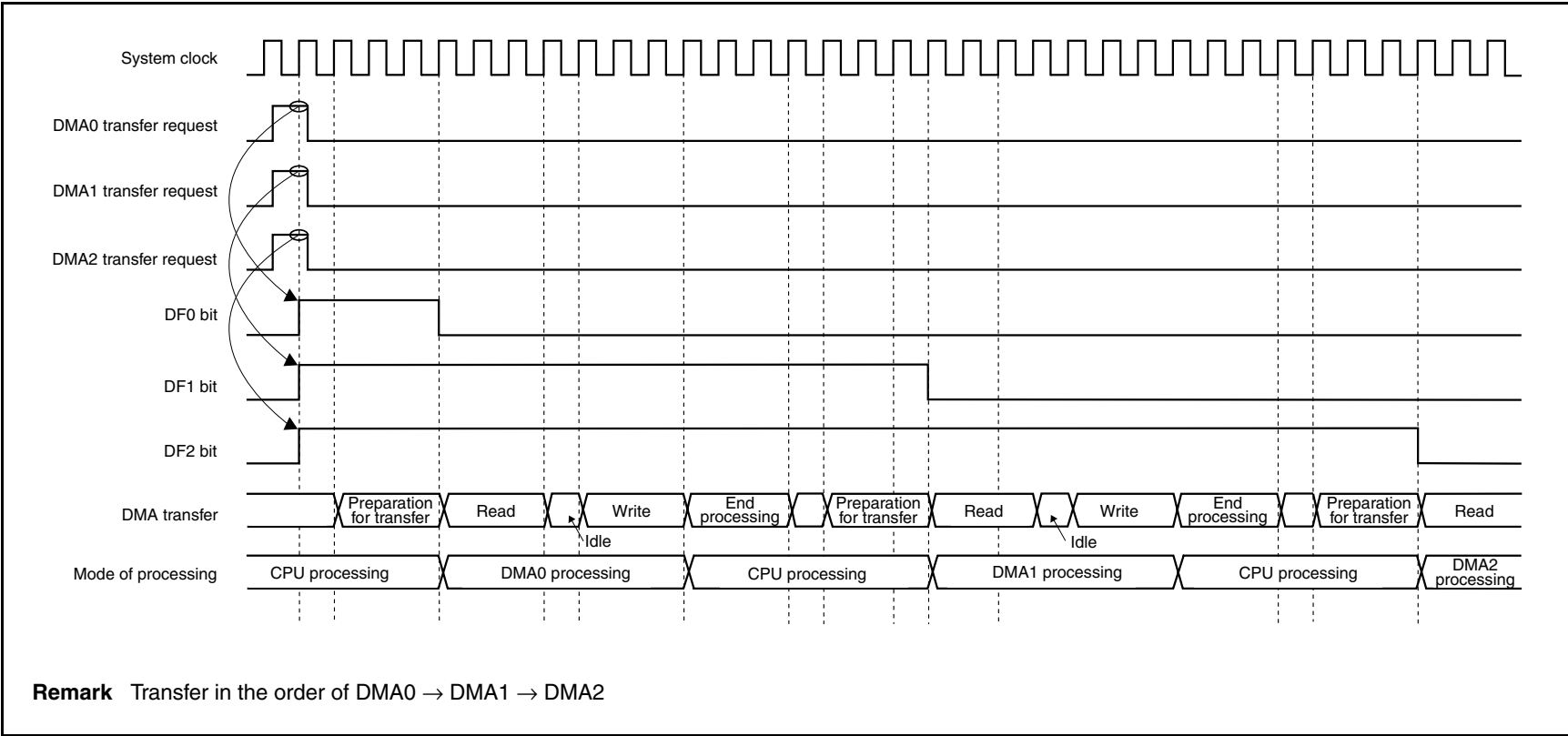




Figure 14-3. Period in Which DMA Transfer Request Is Ignored (1)

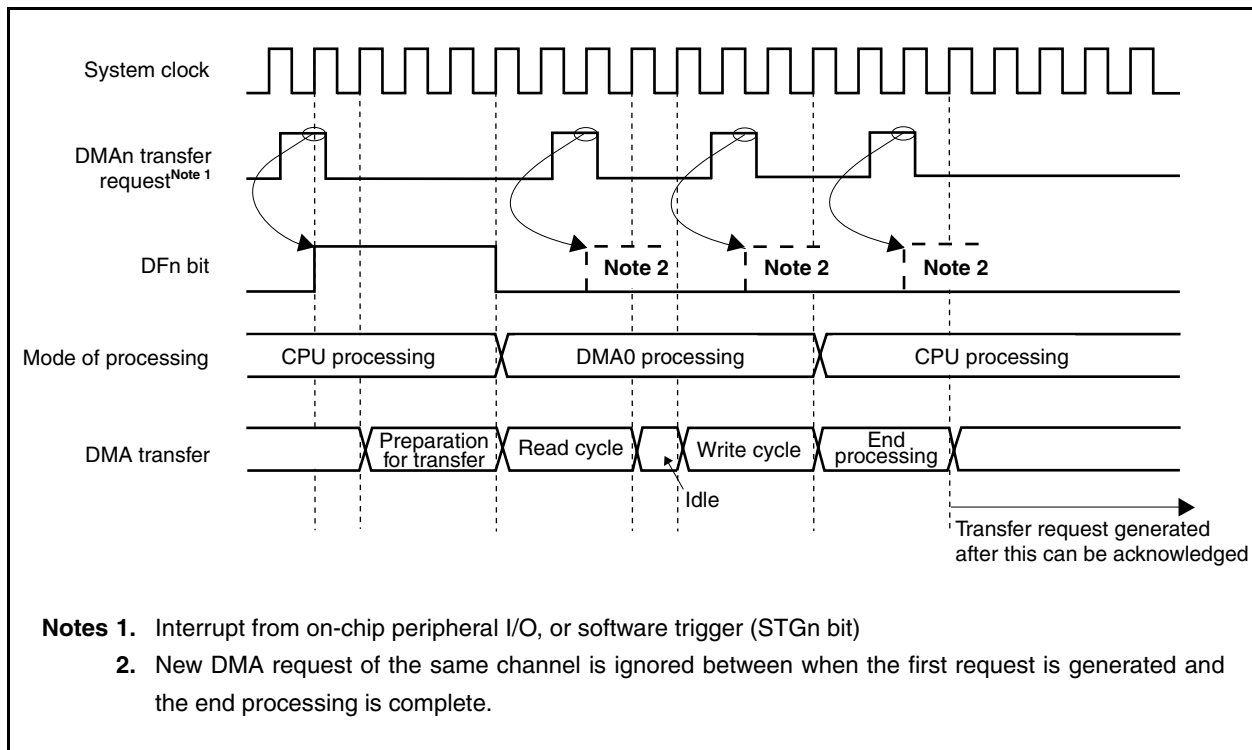
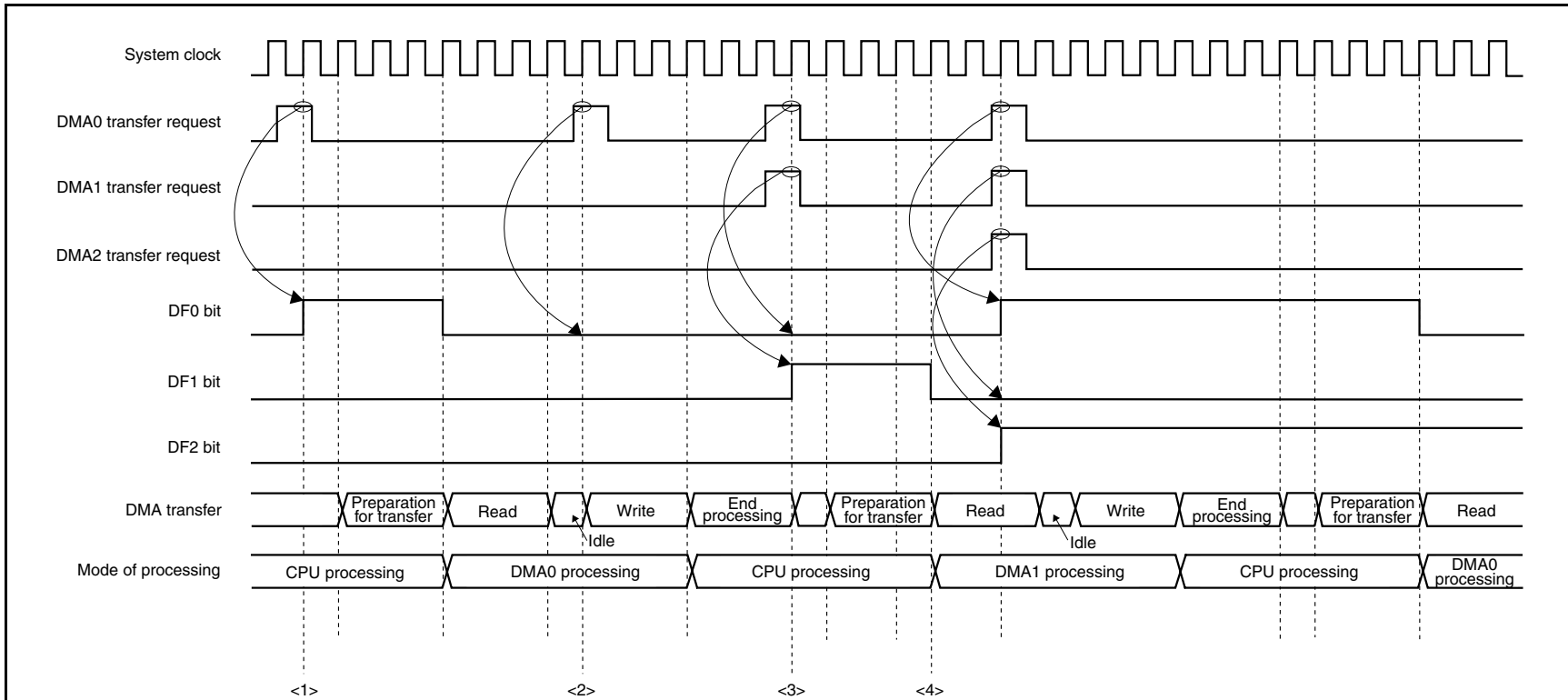


Figure 14-4. Period in Which DMA Transfer Request Is Ignored (2)



<1> DMA0 transfer request

<2> New DMA0 transfer request is generated during DMA0 transfer.

→ A DMA transfer request of the same channel is ignored during DMA transfer.

<3> Requests for DMA0 and DMA1 are generated at the same time.

→ DMA0 request is ignored (a DMA transfer request of the same channel during transfer is ignored).

→ DMA1 request is acknowledged.

<4> Requests for DMA0, DMA1, and DMA2 are generated at the same time.

→ DMA1 request is ignored (a DMA transfer request of the same channel during transfer is ignored).

→ DMA0 request is acknowledged according to priority. DMA2 request is held pending (transfer of DMA2 occurs next).

### 14.13 Cautions

#### (1) Caution for VSWC register

When using the DMAC, be sure to set an appropriate value, in accordance with the operating frequency, to the VSWC register.

When the default value (77H) of the VSWC register is used, or if an inappropriate value is set to the VSWC register, the operation is not correctly performed (for details of the VSWC register, see **3.4.8 (1) (a) System wait control register (VSWC)**).

#### (2) Caution for DMA transfer executed on internal RAM

When executing the following instructions located in the internal RAM, do not execute a DMA transfer that transfers data to/from the internal RAM (transfer source/destination), because the CPU may not operate correctly afterward.

- Data access instruction to misaligned address located in internal RAM

Conversely, when executing a DMA transfer to transfer data to/from the internal RAM (transfer source/destination), do not execute the above two instructions.

#### (3) Caution for reading DCHCn.TCn bit (n = 0 to 3)

The TCn bit is cleared to 0 when it is read, but it is not automatically cleared even if it is read at a specific timing. To accurately clear the TCn bit, add the following processing.

##### (a) When waiting for completion of DMA transfer by polling TCn bit

Confirm that the TCn bit has been set to 1 (after TCn bit = 1 is read), and then read the TCn bit three more times.

##### (b) When reading TCn bit in interrupt servicing routine

Execute reading the TCn bit three times.



**(4) DMA transfer initialization procedure (setting DCHCn.INITn bit to 1)**

Even if the INITn bit is set to 1 when the channel executing DMA transfer is to be initialized, the channel may not be initialized. To accurately initialize the channel, execute either of the following two procedures.

**(a) Temporarily stop transfer of all DMA channels**

Initialize the channel executing DMA transfer using the procedure in <1> to <7> below.

Note, however, that TCn bit is cleared to 0 when step <5> is executed. Make sure that the other processing programs do not expect that the TCn bit is 1.

<1> Disable interrupts (DI).

<2> Read the DCHCn.Enn bit of DMA channels other than the one to be forcibly terminated, and transfer the value to a general-purpose register.

<3> Clear the Enn bit of the DMA channels used (including the channel to be forcibly terminated) to 0. To clear the Enn bit of the last DMA channel, execute the clear instruction twice. If the target of DMA transfer (transfer source/destination) is the internal RAM, execute the instruction three times.

Example: Execute instructions in the following order if channels 0, 1, and 2 are used (if the target of transfer is not the internal RAM).

- Clear DCHC0.E00 bit to 0.
- Clear DCHC1.E11 bit to 0.
- Clear DCHC2.E22 bit to 0.
- Clear DCHC2.E22 bit to 0 again.

<4> Set the INITn bit of the channel to be forcibly terminated to 1.

<5> Read the TCn bit of each channel not to be forcibly terminated. If both the TCn bit and the Enn bit read in <2> are 1 (logical product (AND) is 1), clear the saved Enn bit to 0.

<6> After the operation in <5>, write the Enn bit value to the DCHCn register.

<7> Enable interrupts (EI).

**Caution** Be sure to execute step <5> above to prevent illegal setting of the Enn bit of the channels whose DMA transfer has been normally completed between <2> and <3>.

**(b) Repeatedly execute setting INITn bit until transfer is forcibly terminated correctly**

- <1> Suppress a request from the DMA request source of the channel to be forcibly terminated (stop operation of the on-chip peripheral I/O).
- <2> Check that the DMA transfer request of the channel to be forcibly terminated is not held pending, by using the DTFRn.DFn bit. If a DMA transfer request is held pending, wait until execution of the pending request is completed.
- <3> When it has been confirmed that the DMA request of the channel to be forcibly terminated is not held pending, clear the Enn bit to 0.
- <4> Again, clear the Enn bit of the channel to be forcibly terminated.  
If the target of transfer for the channel to be forcibly terminated (transfer source/destination) is the internal RAM, execute this operation once more.
- <5> Copy the initial number of transfers of the channel to be forcibly terminated to a general-purpose register.
- <6> Set the INITn bit of the channel to be forcibly terminated to 1.
- <7> Read the value of the DBCn register of the channel to be forcibly terminated, and compare it with the value copied in <5>. If the two values do not match, repeat operations <6> and <7>.

- Remarks**
1. When the value of the DBCn register is read in <7>, the initial number of transfers is read if forced termination has been correctly completed. If not, the remaining number of transfers is read.
  2. Note that method (b) may take a long time if the application frequently uses DMA transfer for a channel other than the DMA channel to be forcibly terminated.

**(5) Procedure of temporarily stopping DMA transfer (clearing Enn bit)**

Stop and resume the DMA transfer under execution using the following procedure.

- <1> Suppress a transfer request from the DMA request source (stop the operation of the on-chip peripheral I/O).
- <2> Check the DMA transfer request is not held pending, by using the DFn bit (check if the DFn bit = 0).  
If a request is pending, wait until execution of the pending DMA transfer request is completed.
- <3> If it has been confirmed that no DMA transfer request is held pending, clear the Enn bit to 0 (this operation stops DMA transfer).
- <4> Set the Enn bit to 1 to resume DMA transfer.
- <5> Resume the operation of the DMA request source that has been stopped (start the operation of the on-chip peripheral I/O).

**(6) Memory boundary**

The operation is not guaranteed if the address of the transfer source or destination exceeds the area of the DMA target (internal RAM or on-chip peripheral I/O) during DMA transfer.

**(7) Transferring misaligned data**

DMA transfer of misaligned data with a 16-bit bus width is not supported.

If an odd address is specified as the transfer source or destination, the least significant bit of the address is forcibly assumed to be 0.

**(8) Bus arbitration for CPU**

Because the DMA controller has a higher priority bus mastership than the CPU, a CPU access that takes place during DMA transfer is held pending until the DMA transfer cycle is completed and the bus is released to the CPU.

However, the CPU can access the on-chip peripheral I/O and internal RAM to/from which DMA transfer is not being executed.

**(9) Registers/bits that must not be rewritten during DMA operation**

Set the following registers at the following timing when a DMA operation is not under execution.

[Registers]

- DSAnH, DSAnL, DDAnH, DDAnL, DBCn, and DADCn registers
- DTFRn.IFCn5 to DTFRn.IFCn0 bits

[Timing of setting]

- Period from after reset to start of the first DMA transfer
- Time after channel initialization to start of DMA transfer
- Period from after completion of DMA transfer (TCn bit = 1) to start of the next DMA transfer

**(10) Be sure to set the following register bits to 0.**

- Bits 14 to 10 of DSAnH register
- Bits 14 to 10 of DDAnH register
- Bits 15, 13 to 8, and 3 to 0 of DADCn register
- Bits 6 to 3 of DCHCn register

**(11) DMA start factor**

Do not start two or more DMA channels with the same start factor. If two or more channels are started with the same factor, a DMA channel with a lower priority may be acknowledged earlier than a DMA channel with a higher priority.

**(12) Read values of DSAn and DDAn registers**

Values in the middle of updating may be read from the DSAn and DDAn registers during DMA transfer (n = 0 to 3).

For example, if the DSAnH register and then the DSAnL register are read when the DMA transfer source address (DSAn register) is 0000FFFFH and the count direction is incremental (DADCn.SAD1 and DADCn.SAD0 bits = 00), the value of the DSAn register differs as follows, depending on whether DMA transfer is executed immediately after the DSAnH register is read.

**(a) If DMA transfer does not occur while DSAn register is read**

- <1> Read value of DSAnH register: DSAnH = 0000H
- <2> Read value of DSAnL register: DSAnL = FFFFH

**(b) If DMA transfer occurs while DSAn register is read**

- <1> Read value of DSAnH register: DSAnH = 0000H
- <2> Occurrence of DMA transfer
- <3> Incrementing DSAn register: DSAn = 00100000H
- <4> Read value of DSAnL register: DSAnL = 0000H

## CHAPTER 15 INTERRUPT/EXCEPTION PROCESSING FUNCTION

The V850ES/HG2 is provided with a dedicated interrupt controller (INTC) for interrupt servicing and can process a total of 55 interrupt requests.

An interrupt is an event that occurs independently of program execution, and an exception is an event whose occurrence is dependent on program execution.

The V850ES/HG2 can process interrupt request signals from the on-chip peripheral hardware and external sources. Moreover, exception processing can be started by the TRAP instruction (software exception) or by generation of an exception event (i.e. fetching of an illegal opcode) (exception trap).

### 15.1 Features

- Interrupts
  - Non-maskable interrupts: 2 sources
  - Maskable interrupts: External: 11, Internal: 42 sources
  - 8 levels of programmable priorities (maskable interrupts)
  - Multiple interrupt control according to priority
  - Masks can be specified for each maskable interrupt request.
  - Noise elimination, edge detection, and valid edge specification for external interrupt request signals.
- Exceptions
  - Software exceptions: 32 sources
  - Exception trap: 2 sources (illegal opcode exception, debug trap)

Interrupt/exception sources are listed in Table 15-1.

Table 15-1. Interrupt Source List (1/2)

Type	Classification	Default Priority	Name	Trigger	Generating Unit	Exception Code	Handler Address	Restored PC	Interrupt Control Register
Reset	Interrupt	–	RESET	RESET pin input Reset input by internal source	RESET	0000H	00000000H	Undefined	–
Non-maskable	Interrupt	–	NMI	NMI pin valid edge input	Pin	0010H	0000010H	nextPC	–
		–	INTWDT2	WDT2 overflow	WDT2	0020H	00000020H	<b>Note 1</b>	–
Software exception	Exception	–	TRAP0n <sup>Note 2</sup>	TRAP instruction	–	004nH <sup>Note 2</sup>	00000040H	nextPC	–
		–	TRAP1n <sup>Note 2</sup>	TRAP instruction	–	005nH <sup>Note 2</sup>	00000050H	nextPC	–
Exception trap	Exception	–	ILGOP/ DBG0	Illegal opcode/ DBTRAP instruction	–	0060H	00000060H	nextPC	–
Maskable	Interrupt	0	INTLVI	Low voltage detection	POCLVI	0080H	00000080H	nextPC	LVIIC
		1	INTP0	External interrupt pin input edge detection (INTP0)	Pin	0090H	00000090H	nextPC	PIC0
		2	INTP1	External interrupt pin input edge detection (INTP1)	Pin	00A0H	000000A0H	nextPC	PIC1
		3	INTP2	External interrupt pin input edge detection (INTP2)	Pin	00B0H	000000B0H	nextPC	PIC2
		4	INTP3	External interrupt pin input edge detection (INTP3)	Pin	00C0H	000000C0H	nextPC	PIC3
		5	INTP4	External interrupt pin input edge detection (INTP4)	Pin	00D0H	000000D0H	nextPC	PIC4
		6	INTP5	External interrupt pin input edge detection (INTP5)	Pin	00E0H	000000E0H	nextPC	PIC5
		7	INTP6	External interrupt pin input edge detection (INTP6)	Pin	00F0H	000000F0H	nextPC	PIC6
		8	INTP7	External interrupt pin input edge detection (INTP7)	Pin	0100H	00000100H	nextPC	PIC7
		9	INTTQ0OV	TMQ0 overflow	TMQ0	0110H	00000110H	nextPC	TQ0OVIC
		10	INTTQ0CC0	TMQ0 capture 0/compare 0 match	TMQ0	0120H	00000120H	nextPC	TQ0CCIC0
		11	INTTQ0CC1	TMQ0 capture 1/compare 1 match	TMQ0	0130H	00000130H	nextPC	TQ0CCIC1
		12	INTTQ0CC2	TMQ0 capture 2/compare 2 match	TMQ0	0140H	00000140H	nextPC	TQ0CCIC2
		13	INTTQ0CC3	TMQ0 capture 3/compare 3 match	TMQ0	0150H	00000150H	nextPC	TQ0CCIC3
		14	INTTP0OV	TMP0 overflow	TMP0	0160H	00000160H	nextPC	TP0OVIC
		15	INTTP0CC0	TMP0 capture 0/compare 0 match	TMP0	0170H	00000170H	nextPC	TP0CCIC0
		16	INTTP0CC1	TMP0 capture 1/compare 1 match	TMP0	0180H	00000180H	nextPC	TP0CCIC1
		17	INTTP1OV	TMP1 overflow	TMP1	0190H	00000190H	nextPC	TP1OVIC
		18	INTTP1CC0	TMP1 capture 0/compare 0 match	TMP1	01A0H	000001AH	nextPC	TP1CCIC0
		19	INTTP1CC1	TMP1 capture 1/compare 1 match	TMP1	01B0H	000001B0H	nextPC	TP1CCIC1
		20	INTTP2OV	TMP2 overflow	TMP2	01C0H	000001C0H	nextPC	TP2OVIC
21	INTTP2CC0	TMP2 capture 0/compare 0 match	TMP2	01D0H	000001D0H	nextPC	TP2CCIC0		

**Notes 1.** For the restoring in the case of INTWDT2, see 15.2.2 (2) From INTWDT2 signal.

**2.** n = 0H to FH

Table 15-1. Interrupt Source List (2/2)

Type	Classification	Default Priority	Name	Trigger	Generating Unit	Exception Code	Handler Address	Restored PC	Interrupt Control Register
Maskable	Interrupt	22	INTTP2CC1	TMP2 capture 1/compare 1 match	TMP2	01E0H	000001E0H	nextPC	TP2CCIC1
		23	INTTP3OV	TMP3 overflow	TMP3	01F0H	000001F0H	nextPC	TP3OVIC
		24	INTTP3CC0	TMP3 capture 0/compare 0 match	TMP3	0200H	00000200H	nextPC	TP3CCIC0
		25	INTTP3CC1	TMP3 capture 1/compare 1 match	TMP3	0210H	00000210H	nextPC	TP3CCIC1
		26	INTTM0EQ0	TMM0 compare match	TMM0	0220H	00000220H	nextPC	TM0EQIC0
		27	INTCB0R	CSIB0 reception completion	CSIB0	0230H	00000230H	nextPC	CB0RIC
		28	INTCB0T	CSIB0 consecutive transmission write enable	CSIB0	0240H	00000240H	nextPC	CB0TIC
		29	INTCB1R	CSIB1 reception completion	CSIB1	0250H	00000250H	nextPC	CB1RIC
		30	INTCB1T	CSIB1 consecutive transmission write enable	CSIB1	0260H	00000260H	nextPC	CB1TIC
		31	INTUA0R	UARTA0 reception completion	UARTA0	0270H	00000280H	nextPC	UA0RIC
		32	INTUA0T	UARTA0 transmission enable	UARTA0	0280H	00000280H	nextPC	UA0TIC
		33	INTUA1R	UARTA1 reception completion/UARTA1 reception error	UARTA1	0290H	00000290H	nextPC	UA1RIC
		34	INTUA1T	UARTA1 transmission enable	UARTA1	02A0H	000002A0H	nextPC	UA1TIC
		35	INTAD	A/D conversion completion	A/D	02BH	000002B0H	nextPC	ADIC
		36	INTKR	Key return interrupt request	KR	0300H	00000300H	nextPC	KRIC
		37	INTWTI	Watch timer interval	WT	0310H	00000310H	nextPC	WTIIC
		38	INTWT	Watch timer reference time	WT	0320H	00000320H	nextPC	WTIC
		39	INTP8	External interrupt pin input edge detection (INTP8)	Pin	0330H	00000330H	nextPC	PIC8
		40	INTP9	External interrupt pin input edge detection (INTP9)	Pin	0340H	00000340H	nextPC	PIC9
		41	INTP10	External interrupt pin input edge detection (INTP10)	Pin	0350H	00000350H	nextPC	PIC10
		42	INTTQ1OV	TMQ1 overflow	TMQ1	0360H	00000360H	nextPC	TQ1OVIC
		43	INTTQ1CC0	TMQ1 capture 0/compare 0 match	TMQ1	0370H	00000370H	nextPC	TQ1CCIC0
		44	INTTQ1CC1	TMQ1 capture 1/compare 1 match	TMQ1	0380H	00000380H	nextPC	TQ1CCIC1
		45	INTTQ1CC2	TMQ1 capture 2/compare 2 match	TMQ1	0390H	00000390H	nextPC	TQ1CCIC2
		46	INTTQ1CC3	TMQ1 capture 3/compare 3 match	TMQ1	03A0H	000003A0H	nextPC	TQ1CCIC3
		47	INTUA2R	UARTA2 reception completion/error	UARTA2	03B0H	000003B0H	nextPC	UA2RIC
		48	INTUA2T	UARTA2 transmission enable	UARTA2	03C0H	000003C0H	nextPC	UA2TIC
		49	INTDMA0	DMA0 transfer end	DMA	0410H	00000410H	nextPC	DMAIC0
		50	INTDMA1	DMA1 transfer end	DMA	0420H	00000420H	nextPC	DMAIC1
		51	INTDMA2	DMA2 transfer end	DMA	0430H	00000430H	nextPC	DMAIC2
		52	INTDMA3	DMA3 transfer end	DMA	0440H	00000440H	nextPC	DMAIC3

- Remarks 1.** Default Priority: The priority order when two or more maskable interrupt requests occur at the same time. The highest priority is 0.  
The priority order of non-maskable interrupt is INTWDT2 > NMI.
- Restored PC: The value of the program counter (PC) saved to EIPC, FEPC, or DBPC when interrupt servicing is started. Note, however, that the restored PC when a non-maskable or maskable interrupt is acknowledged while one of the following instructions is being executed does not become the nextPC (if an interrupt is acknowledged during interrupt execution, execution stops, and then resumes after the interrupt servicing has finished).
- Load instructions (SLD.B, SLD.BU, SLD.H, SLD.HU, SLD.W)
  - Division instructions (DIV, DIVH, DIVU, DIVHU)
  - PREPARE, DISPOSE instructions (only if an interrupt is generated before the stack pointer is updated)
- nextPC: The PC value that starts the processing following interrupt/exception processing.
- 2.** The execution address of the illegal instruction when an illegal opcode exception occurs is calculated by (Restored PC – 4).

## 15.2 Non-Maskable Interrupts

A non-maskable interrupt request signal is acknowledged unconditionally, even when interrupts are in the interrupt disabled (DI) status. An NMI is not subject to priority control and takes precedence over all the other interrupt request signals.

This product has the following two non-maskable interrupt request signals.

- NMI pin input (NMI)
- Non-maskable interrupt request signal generated by overflow of watchdog timer (INTWDT2)

The valid edge of the NMI pin can be selected from four types: “rising edge”, “falling edge”, “both edges”, and “no edge detection”.

The function of the NMI pin is enabled by setting the PMC0.PMC02 bit to 1 and the INTF0.INTF02 bit and INTR0.INTR02 bit to a desired value, and specifying a desired valid edge.

The non-maskable interrupt request signal generated by overflow of watchdog timer 2 (INTWDT2) functions when the WDTM2.WDM21 and WDTM2.WDM20 bits are set to “01”.

If two or more non-maskable interrupt request signals occur at the same time, the interrupt with the higher priority is serviced, as follows (the interrupt request signal with the lower priority is ignored).

INTWDT2 > NMI

If a new NMI or INTWDT2 request signal is issued while an NMI is being serviced, it is serviced as follows.

### (1) If new NMI request signal is issued while NMI is being serviced

The new NMI request signal is held pending, regardless of the value of the PSW.NP bit. The pending NMI request signal is acknowledged after the NMI currently under execution has been serviced (after the RETI instruction has been executed).

### (2) If INTWDT2 request signal is issued while NMI is being serviced

The INTWDT2 request signal is held pending if the NP bit remains set (1) while the NMI is being serviced. The pending INTWDT2 request signal is acknowledged after the NMI currently under execution has been serviced (after the RETI instruction has been executed).

If the NP bit is cleared (0) while the NMI is being serviced, the newly generated INTWDT2 request signal is executed (the NMI servicing is stopped).

**Caution** For the non-maskable interrupt servicing executed by the non-maskable interrupt request signal (INTWDT2), see 15.2.2 (2) From INTWDT2 signal.

Figure 15-1. Non-Maskable Interrupt Request Signal Acknowledgment Operation (1/2)

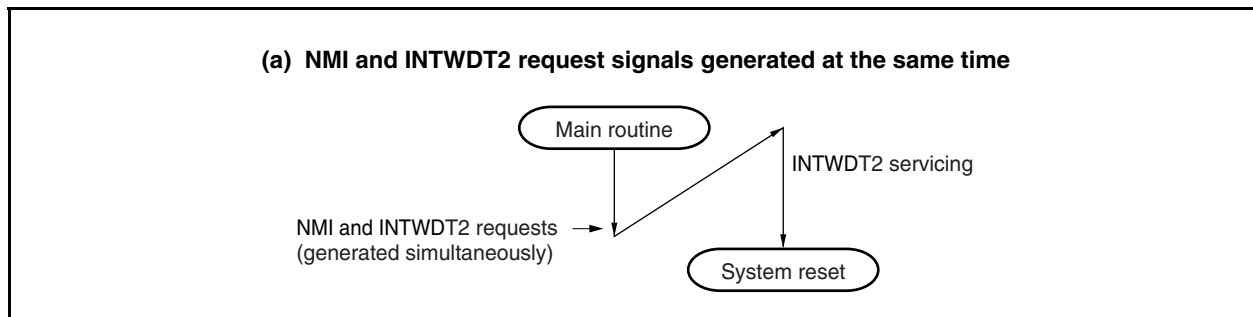
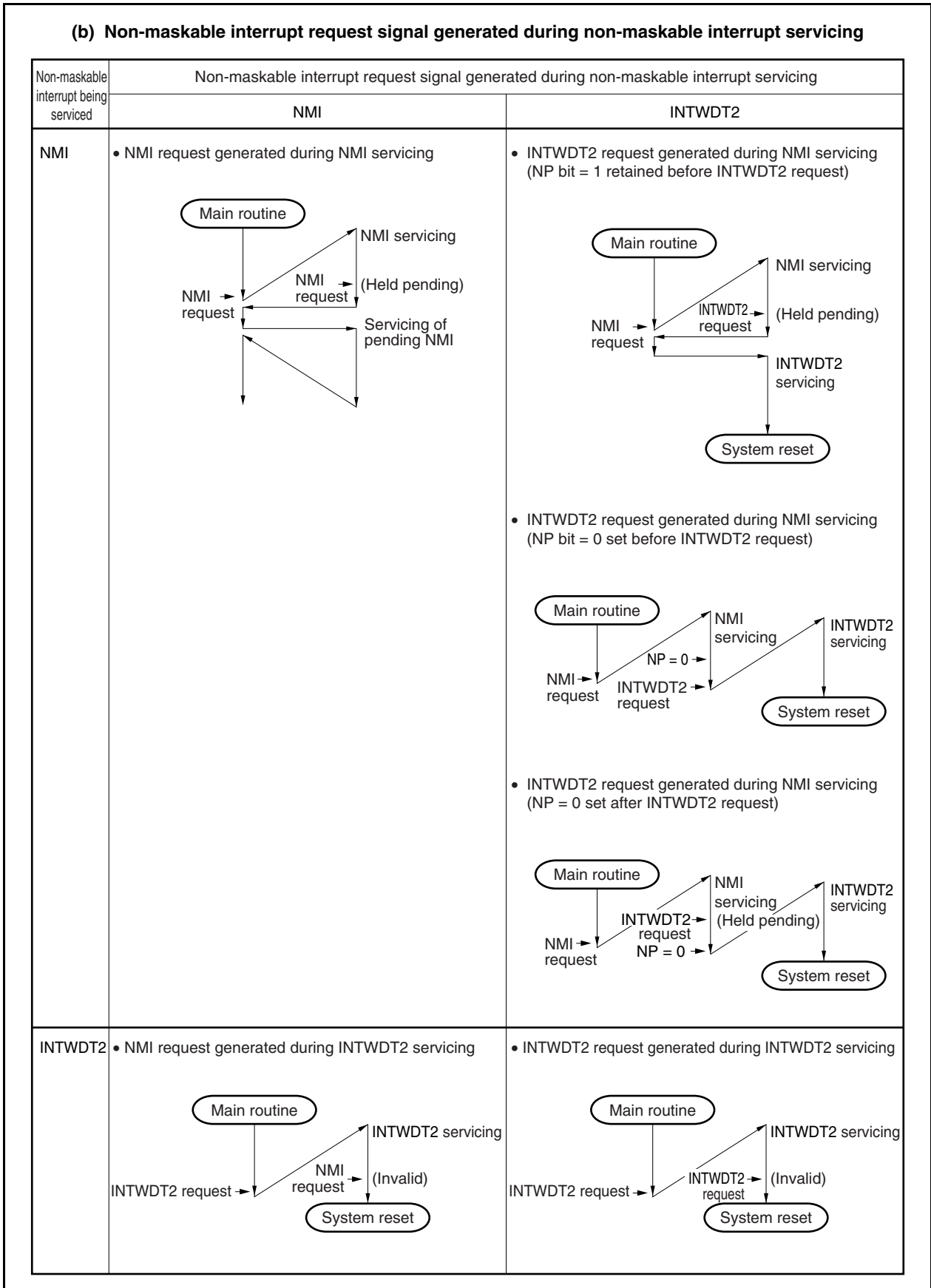




Figure 15-1. Non-Maskable Interrupt Request Signal Acknowledgment Operation (2/2)



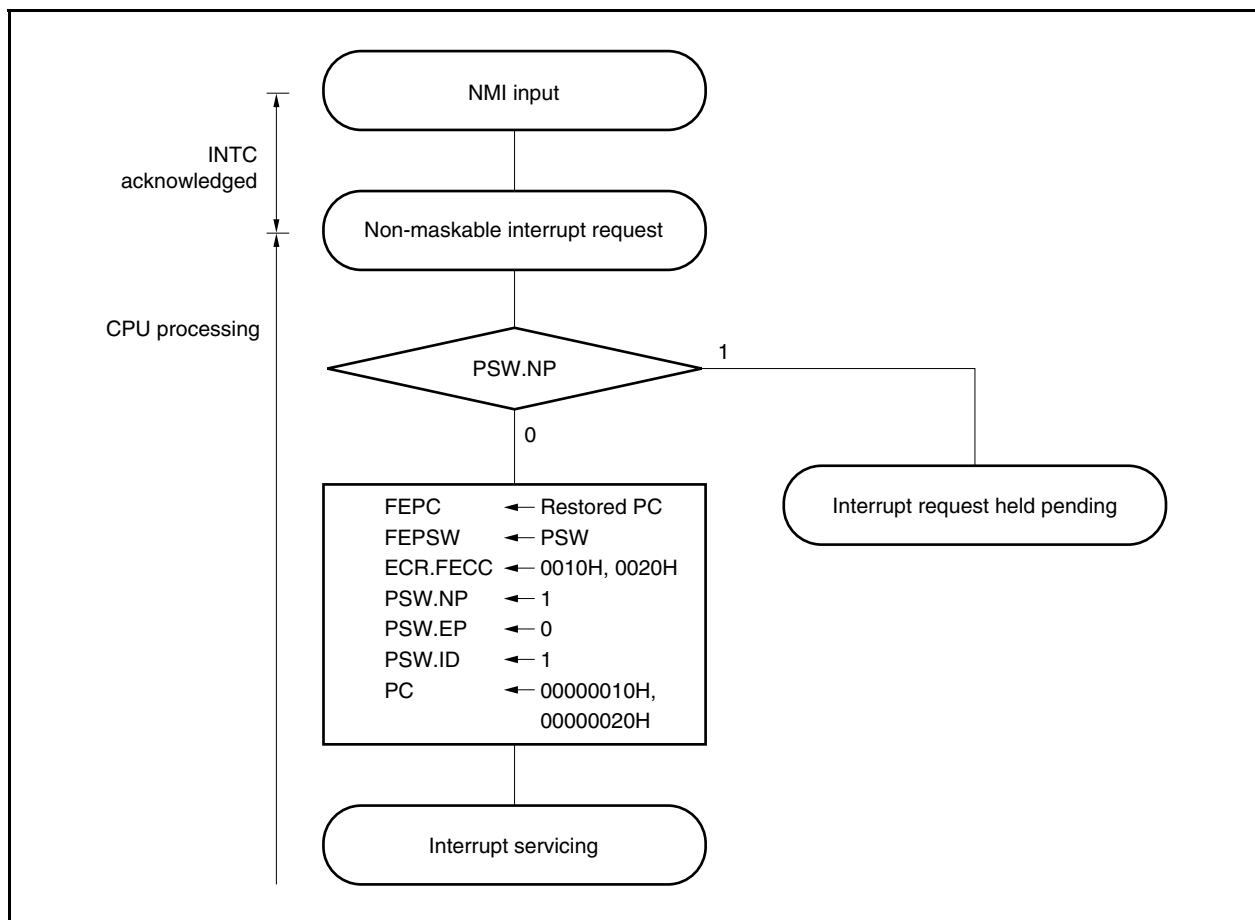
### 15.2.1 Operation

If a non-maskable interrupt request signal is generated, the CPU performs the following processing, and transfers control to the handler routine.

- <1> Saves the restored PC to FEPC.
- <2> Saves the current PSW to FEPSW.
- <3> Writes exception code (0010H, 0020H) to the higher halfword (FECC) of ECR.
- <4> Sets the PSW.NP and PSW.ID bits to 1 and clears the PSW.EP bit to 0.
- <5> Sets the handler address (00000010H, 00000020H) corresponding to the non-maskable interrupt to the PC, and transfers control.

The servicing configuration of a non-maskable interrupt is shown in Figure 15-2.

**Figure 15-2. Servicing Configuration of Non-Maskable Interrupt**



## 15.2.2 Restore

## (1) From NMI pin input

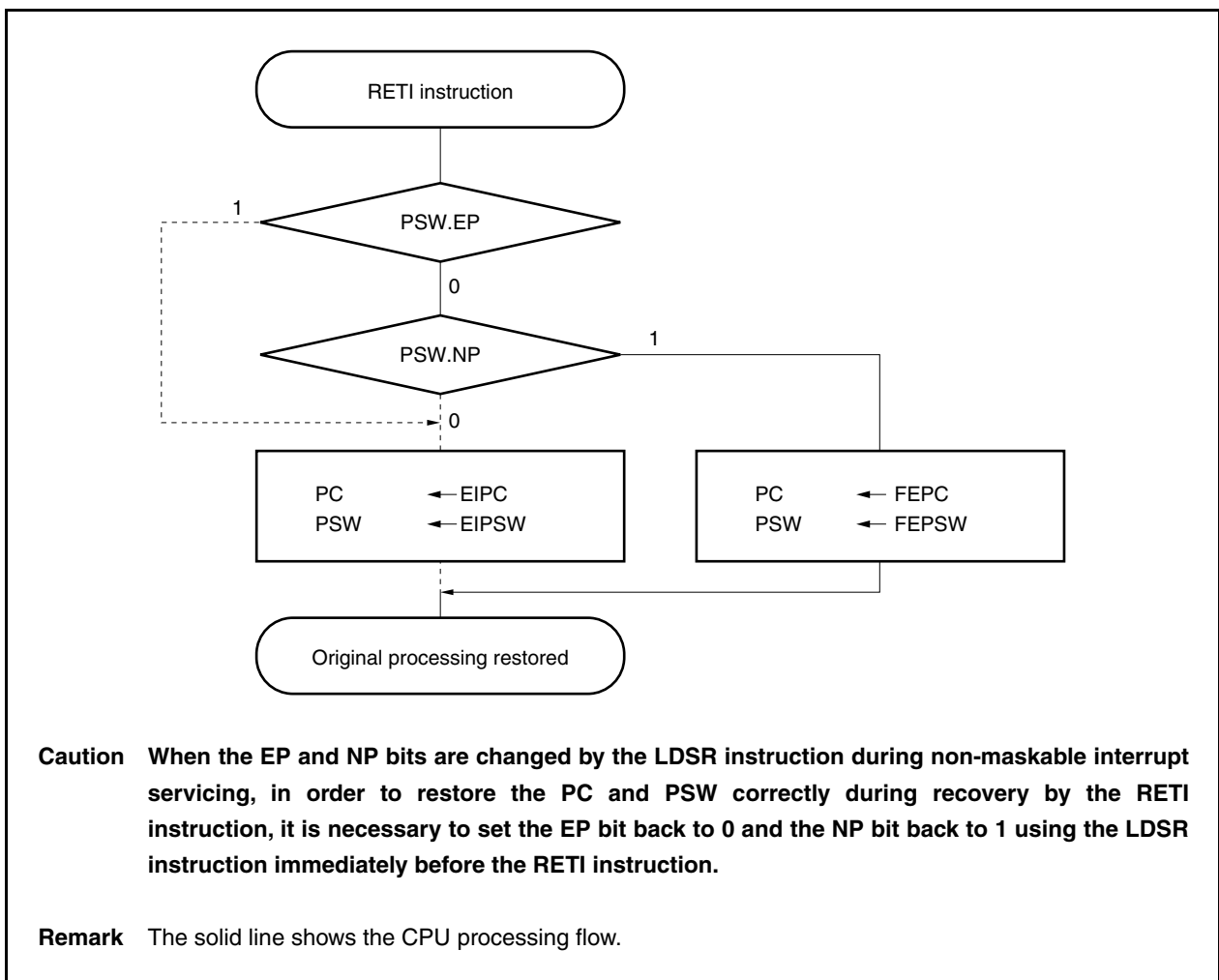
Execution is restored from the NMI servicing by the RETI instruction.

When the RETI instruction is executed, the CPU performs the following processing, and transfers control to the address of the restored PC.

- <1> Loads the restored PC and PSW from FEPC and FEPSW, respectively, because the PSW.EP bit is 0 and the PSW.NP bit is 1.
- <2> Transfers control back to the address of the restored PC and PSW.

Figure 15-3 illustrates how the RETI instruction is processed.

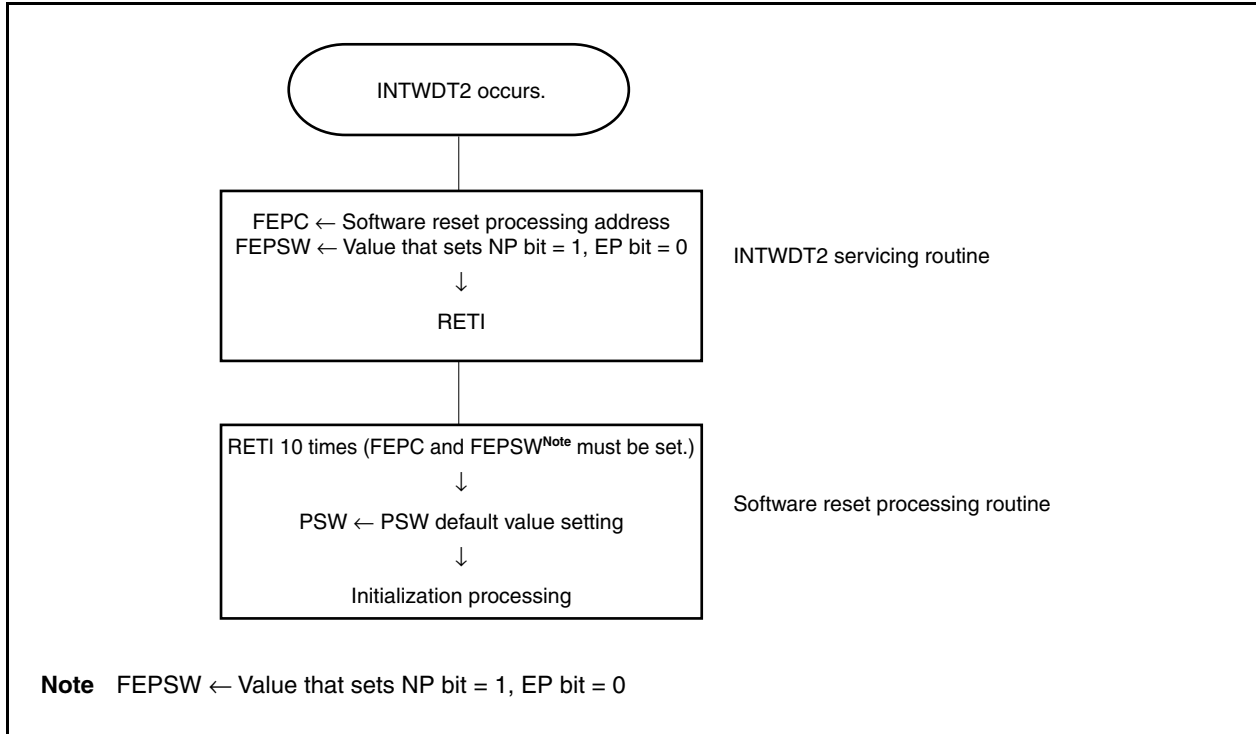
Figure 15-3. RETI Instruction Processing



(2) From INTWDT2 signal

Restoring from non-maskable interrupt servicing executed by the non-maskable interrupt request (INTWDT2) by using the RETI instruction is disabled. Execute the following software reset processing.

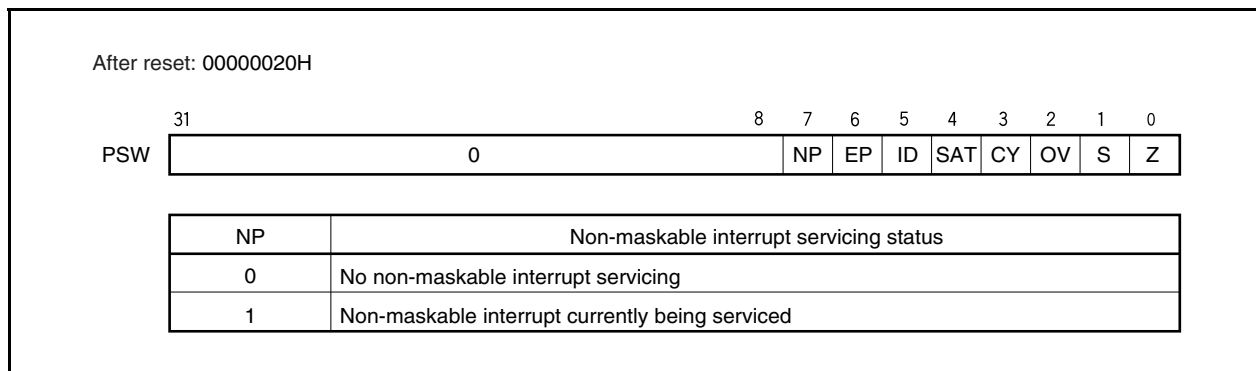
Figure 15-4. Software Reset Processing



15.2.3 NP flag

The NP flag is a status flag that indicates that non-maskable interrupt servicing is under execution.

This flag is set when a non-maskable interrupt request signal has been acknowledged, and masks non-maskable interrupt requests to prohibit multiple interrupts from being acknowledged.



### 15.3 Maskable Interrupts

Maskable interrupt request signals can be masked by interrupt control registers. The V850ES/HG2 has 53 maskable interrupt sources.

If two or more maskable interrupt request signals are generated at the same time, they are acknowledged according to the default priority. In addition to the default priority, eight levels of priorities can be specified by using the interrupt control registers (programmable priority control).

When an interrupt request signal has been acknowledged, the acknowledgment of other maskable interrupt request signals is disabled and the interrupt disabled (DI) status is set.

When the EI instruction is executed in an interrupt service routine, the interrupt enabled (EI) status is set, which enables servicing of interrupts having a higher priority than the interrupt request signal in progress (specified by the interrupt control register). Note that only interrupts with a higher priority will have this capability; interrupts with the same priority level cannot be nested.

To enable multiple interrupts, however, save EIPC and EIPSW to memory or general-purpose registers before executing the EI instruction, and execute the DI instruction before the RETI instruction to restore the original values of EIPC and EIPSW.

#### 15.3.1 Operation

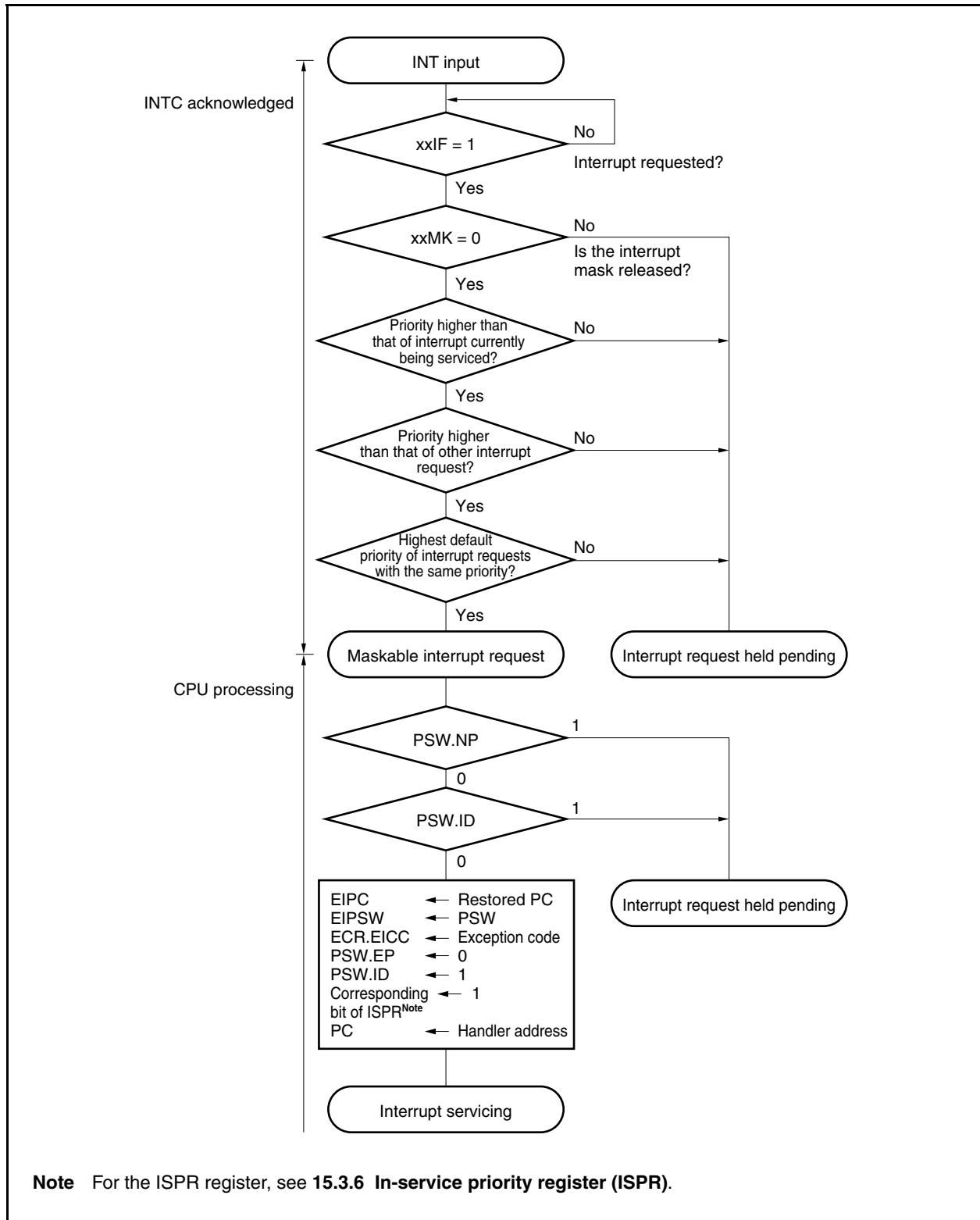
If a maskable interrupt occurs, the CPU performs the following processing, and transfers control to a handler routine.

- <1> Saves the restored PC to EIPC.
- <2> Saves the current PSW to EIPSW.
- <3> Writes an exception code to the lower halfword of ECR (EICC).
- <4> Sets the PSW.ID bit to 1 and clears the PSW.EP bit to 0.
- <5> Sets the handler address corresponding to each interrupt to the PC, and transfers control.

The maskable interrupt request signal masked by INTC and the maskable interrupt request signal generated while another interrupt is being serviced (while the PSW.NP bit = 1 or the PSW.ID bit = 1) are held pending inside INTC. In this case, servicing a new maskable interrupt is started in accordance with the priority of the pending maskable interrupt request signal if either the maskable interrupt is unmasked or the NP and ID bits are cleared to 0 by using the RETI or LDSR instruction.

How maskable interrupts are serviced is illustrated below.

Figure 15-5. Maskable Interrupt Servicing



### 15.3.2 Restore

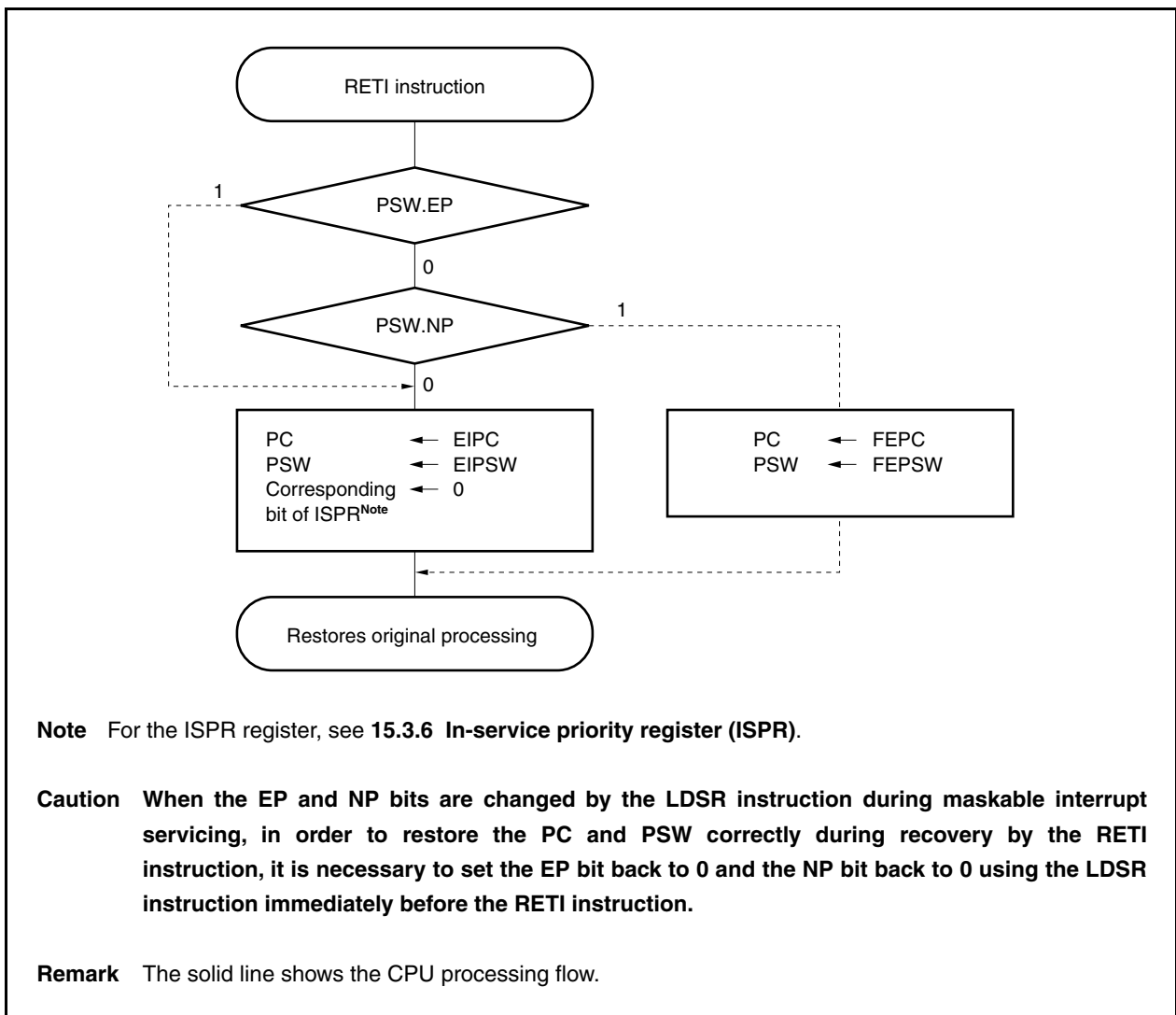
Recovery from maskable interrupt servicing is carried out by the RETI instruction.

When the RETI instruction is executed, the CPU performs the following steps, and transfers control to the address of the restored PC.

- <1> Loads the restored PC and PSW from EIPC and EIPSW because the PSW.EP bit is 0 and the PSW.NP bit is 0.
- <2> Transfers control to the address of the restored PC and PSW.

Figure 15-6 illustrates the processing of the RETI instruction.

**Figure 15-6. RETI Instruction Processing**



### 15.3.3 Priorities of maskable interrupts

The INTC performs multiple interrupt servicing in which an interrupt is acknowledged while another interrupt is being serviced. Multiple interrupts can be controlled by priority levels.

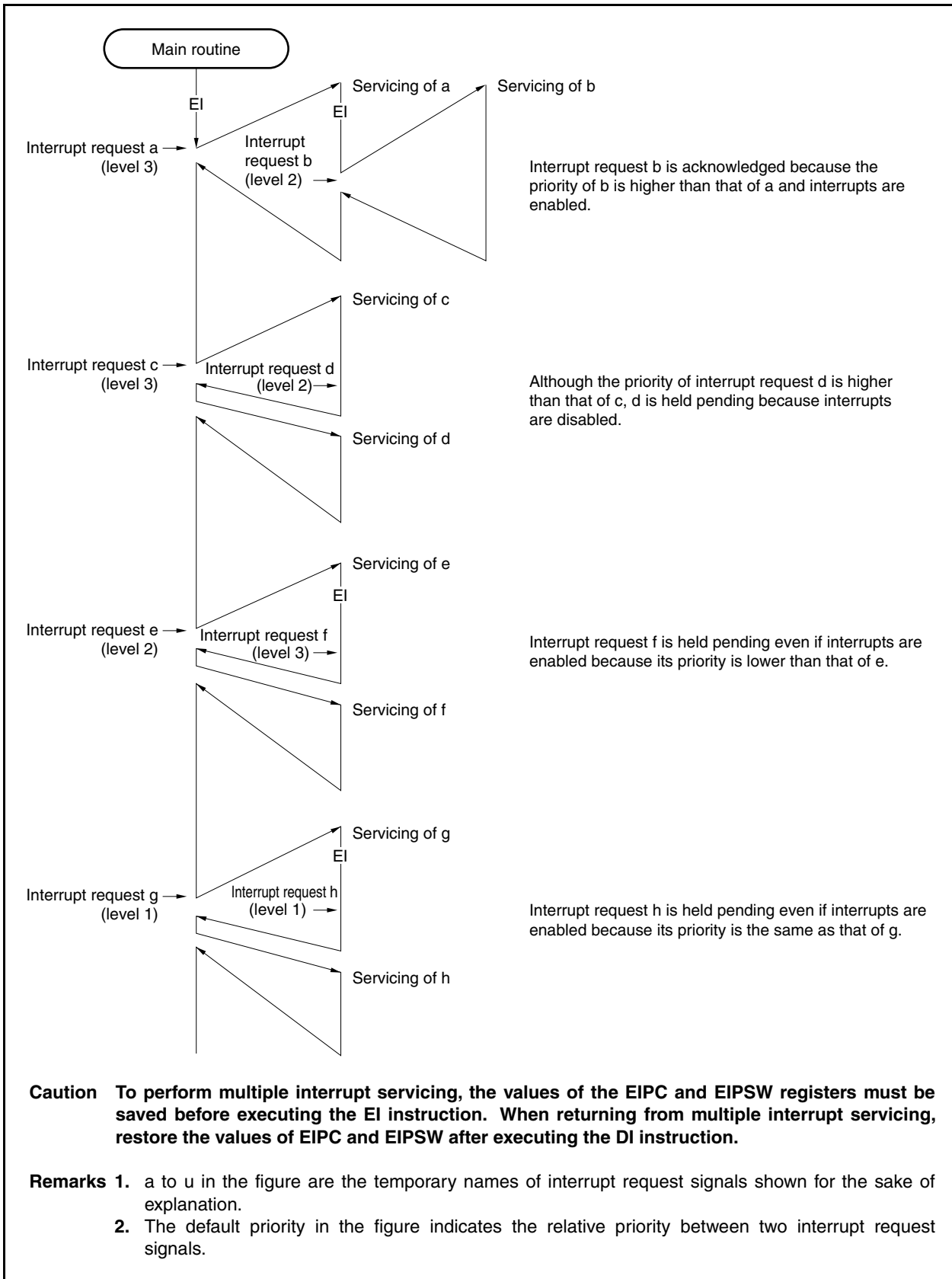
There are two types of priority level control: control based on the default priority levels, and control based on the programmable priority levels that are specified by the interrupt priority level specification bit (xxPRn) of the interrupt control register (xxICn). When two or more interrupts having the same priority level specified by the xxPRn bit are generated at the same time, interrupt request signals are serviced in order depending on the priority level allocated to each interrupt request type (default priority level) beforehand. For more information, see **Table 15-1 Interrupt/Exception Source List**. The programmable priority control customizes interrupt request signals into eight levels by setting the priority level specification flag.

Note that when an interrupt request signal is acknowledged, the PSW.ID flag is automatically set to 1. Therefore, when multiple interrupts are to be used, clear the ID flag to 0 beforehand (for example, by placing the EI instruction in the interrupt service program) to set the interrupt enable mode.

**Remark** xx: Identification name of each peripheral unit (see **Table 15-2 Interrupt Control Register (xxICn)**)  
n: Peripheral unit number (see **Table 15-2 Interrupt Control Register (xxICn)**).



**Figure 15-7. Example of Processing in Which Another Interrupt Request Signal Is Issued While an Interrupt Is Being Serviced (1/2)**



**Figure 15-7. Example of Processing in Which Another Interrupt Request Signal Is Issued While an Interrupt Is Being Serviced (2/2)**

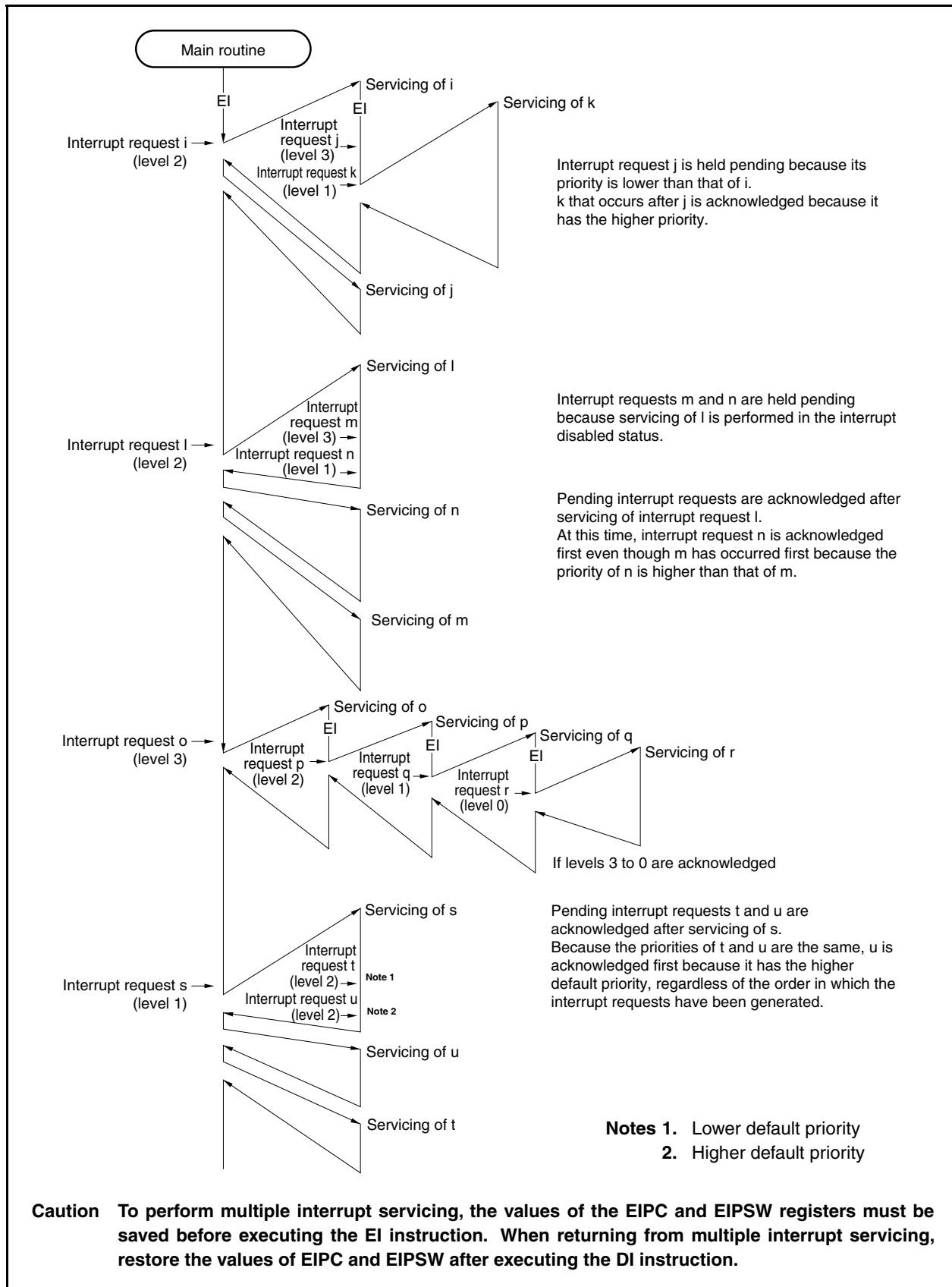
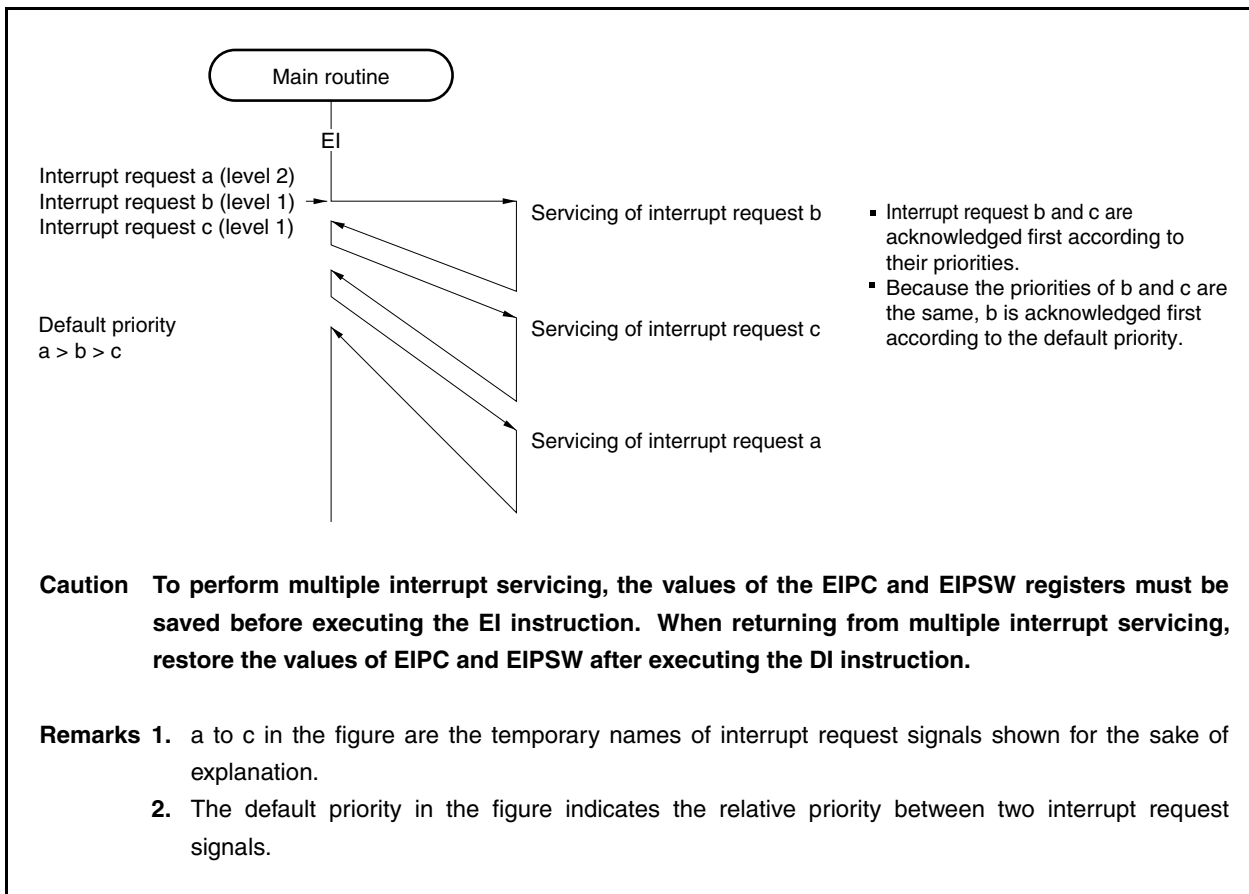


Figure 15-8. Example of Servicing Interrupt Request Signals Simultaneously Generated



### 15.3.4 Interrupt control register (xxlCn)

The xxlCn register is assigned to each interrupt request signal (maskable interrupt) and sets the control conditions for each maskable interrupt request.

This register can be read or written in 8-bit or 1-bit units.

Reset sets this register to 47H.

**Caution** Disable interrupts (DI) or mask the interrupt to read the xxlCn.xxIFn bit. If the xxIFn bit is read while interrupts are enabled (EI) or while the interrupt is unmasked, the correct value may not be read when acknowledging an interrupt and reading the bit conflict.

After reset: 47H    R/W    Address: FFFFF110H to FFFFF188H

	7	6	5	4	3	2	1	0
xxlCn	xxIFn	xxMKn	0	0	0	xxPRn2	xxPRn1	xxPRn0

xxIFn	Interrupt request flag <sup>Note</sup>
0	Interrupt request not issued
1	Interrupt request issued

xxMKn	Interrupt mask flag
0	Interrupt servicing enabled
1	Interrupt servicing disabled (pending)

xxPRn2	xxPRn1	xxPRn0	Interrupt priority specification bit
0	0	0	Specifies level 0 (highest).
0	0	1	Specifies level 1.
0	1	0	Specifies level 2.
0	1	1	Specifies level 3.
1	0	0	Specifies level 4.
1	0	1	Specifies level 5.
1	1	0	Specifies level 6.
1	1	1	Specifies level 7 (lowest).

**Note** The flag xxIFn is reset automatically by the hardware if an interrupt request signal is acknowledged.

**Remark** xx: Identification name of each peripheral unit (see **Table 15-2 Interrupt Control Registers (xxlCn)**)  
n: Peripheral unit number (see **Table 15-2 Interrupt Control Registers (xxlCn)**).

The addresses and bits of the interrupt control registers are as follows.

Table 15-2. Interrupt Control Registers (xxICn) (1/2)

Address	Register	Bit							
		7	6	5	4	3	2	1	0
FFFFF110H	LVIIIC	LVIIIF	LVIMK	0	0	0	LVIPR2	LVIPR1	LVIPR0
FFFFF112H	PIC0	PIF0	PMK0	0	0	0	PPR02	PPR01	PPR00
FFFFF114H	PIC1	PIF1	PMK1	0	0	0	PPR12	PPR11	PPR10
FFFFF116H	PIC2	PIF2	PMK2	0	0	0	PPR22	PPR21	PPR20
FFFFF118H	PIC3	PIF3	PMK3	0	0	0	PPR32	PPR31	PPR30
FFFFF11AH	PIC4	PIF4	PMK4	0	0	0	PPR42	PPR41	PPR40
FFFFF11CH	PIC5	PIF5	PMK5	0	0	0	PPR52	PPR51	PPR50
FFFFF11EH	PIC6	PIF6	PMK6	0	0	0	PPR62	PPR61	PPR60
FFFFF120H	PIC7	PIF7	PMK7	0	0	0	PPR72	PPR71	PPR70
FFFFF122H	TQ0OVIC	TQ0OVIF	TQ0VMK	0	0	0	TQ0VPR2	TQ0VPR1	TQ0VPR0
FFFFF124H	TQ0CCIC0	TQ0CCIF0	TQ0CCMK0	0	0	0	TQ0CCPR2	TQ0CCPR1	TQ0CCPR0
FFFFF126H	TQ0CCIC1	TQ0CCIF1	TQ0CCMK1	0	0	0	TQ0CCPR12	TQ0CCPR11	TQ0CCPR10
FFFFF128H	TQ0CCIC2	TQ0CCIF2	TQ0CCMK2	0	0	0	TQ0CCPR22	TQ0CCPR21	TQ0CCPR20
FFFFF12AH	TQ0CCIC3	TQ0CCIF3	TQ0CCMK3	0	0	0	TQ0CCPR32	TQ0CCPR31	TQ0CCPR30
FFFFF12CH	TP0OVIC	TP0OVIF	TP0VMK	0	0	0	TP0VPR2	TP0VPR1	TP0VPR0
FFFFF12EH	TP0CCIC0	TP0CCIF0	TP0CCMK0	0	0	0	TP0CCPR2	TP0CCPR1	TP0CCPR0
FFFFF130H	TP0CCIC1	TP0CCIF1	TP0CCMK1	0	0	0	TP0CCPR12	TP0CCPR11	TP0CCPR10
FFFFF132H	TP1OVIC	TP1OVIF	TP1VMK	0	0	0	TP1VPR2	TP1VPR1	TP1VPR0
FFFFF134H	TP1CCIC0	TP1CCIF0	TP1CCMK0	0	0	0	TP1CCPR2	TP1CCPR1	TP1CCPR0
FFFFF136H	TP1CCIC1	TP1CCIF1	TP1CCMK1	0	0	0	TP1CCPR12	TP1CCPR11	TP1CCPR10
FFFFF138H	TP2OVIC	TP2OVIF	TP2VMK	0	0	0	TP2VPR2	TP2VPR1	TP2VPR0
FFFFF13AH	TP2CCIC0	TP2CCIF0	TP2CCMK0	0	0	0	TP2CCPR2	TP2CCPR1	TP2CCPR0
FFFFF13CH	TP2CCIC1	TP2CCIF1	TP2CCMK1	0	0	0	TP2CCPR12	TP2CCPR11	TP2CCPR10
FFFFF13EH	TP3OVIC	TP3OVIF	TP3VMK	0	0	0	TP3VPR2	TP3VPR1	TP3VPR0
FFFFF140H	TP3CCIC0	TP3CCIF0	TP3CCMK0	0	0	0	TP3CCPR2	TP3CCPR1	TP3CCPR0
FFFFF142H	TP3CCIC1	TP3CCIF1	TP3CCMK1	0	0	0	TP3CCPR12	TP3CCPR11	TP3CCPR10
FFFFF144H	TM0EQIC0	TM0EQIF0	TM0EQMK0	0	0	0	TM0EQPR2	TM0EQPR1	TM0EQPR0
FFFFF146H	CB0RIC	CB0RIF	CB0RMK	0	0	0	CB0RPR2	CB0RPR1	CB0RPR0
FFFFF148H	CB0TIC	CB0TIF	CB0TMK	0	0	0	CB0TPR2	CB0TPR1	CB0TPR0
FFFFF14AH	CB1RIC	CB1RIF	CB1RMK	0	0	0	CB1RPR2	CB1RPR1	CB1RPR0
FFFFF14CH	CB1TIC	CB1TIF	CB1TMK	0	0	0	CB1TPR2	CB1TPR1	CB1TPR0
FFFFF14EH	UA0RIC	UA0RIF	UA0RMK	0	0	0	UA0RPR2	UA0RPR1	UA0RPR0
FFFFF150H	UA0TIC	UA0TIF	UA0TMK	0	0	0	UA0TPR2	UA0TPR1	UA0TPR0
FFFFF152H	UA1RIC	UA1RIF	UA1RMK	0	0	0	UA1RPR2	UA1RPR1	UA1RPR0
FFFFF154H	UA1TIC	UA1TIF	UA1TMK	0	0	0	UA1TPR2	UA1TPR1	UA1TPR0
FFFFF156H	ADIC	ADIF	ADMK	0	0	0	ADPR2	ADPR1	ADPR0
FFFFF160H	KRIC	KRIF	KRMK	0	0	0	KRPR2	KRPR1	KRPR0
FFFFF162H	WTIIC	WTIIF	WTIMK	0	0	0	WTIPR2	WTIPR1	WTIPR0
FFFFF164H	WTIC	WTIF	WTMK	0	0	0	WTPR2	WTPR1	WTPR0
FFFFF166H	PIC8	PIF8	PMK8	0	0	0	PPR82	PPR81	PPR80
FFFFF168H	PIC9	PIF9	PMK9	0	0	0	PPR92	PPR91	PPR90
FFFFF16AH	PIC10	PIF10	PMK10	0	0	0	PPR102	PPR101	PPR100

Table 15-2. Interrupt Control Registers (xxICn) (2/2)

Address	Register	Bit							
		7	6	5	4	3	2	1	0
FFFFFF16CH	TQ1OVIC	TQ1OVIF	TQ1OVMK	0	0	0	TQ1OVPR2	TQ1OVPR1	TQ1OVPR0
FFFFFF16EH	TQ1CCIC0	TQ1CCIF0	TQ1CCMK0	0	0	0	TQ1CCPR02	TQ1CCPR01	TQ1CCPR00
FFFFFF170H	TQ1CCIC1	TQ1CCIF1	TQ1CCMK1	0	0	0	TQ1CCPR12	TQ1CCPR11	TQ1CCPR10
FFFFFF172H	TQ1CCIC2	TQ1CCIF2	TQ1CCMK2	0	0	0	TQ1CCPR22	TQ1CCPR21	TQ1CCPR20
FFFFFF174H	TQ1CCIC3	TQ1CCIF3	TQ1CCMK3	0	0	0	TQ1CCPR32	TQ1CCPR31	TQ1CCPR30
FFFFFF176H	UA2RIC	UA2RIF	UA2RMK	0	0	0	UA2RPR2	UA2RPR1	UA2RPR0
FFFFFF178H	UA2TIC	UA2TIF	UA2TMK	0	0	0	UA2TPR2	UA2TPR1	UA2TPR0
FFFFFF182H	DMAIC0	DMAIF0	DMAMK0	0	0	0	DMAPR02	DMAPR01	DMAPR00
FFFFFF184H	DMAIC1	DMAIF1	DMAMK1	0	0	0	DMAPR12	DMAPR11	DMAPR10
FFFFFF186H	DMAIC2	DMAIF2	DMAMK2	0	0	0	DMAPR22	DMAPR21	DMAPR20
FFFFFF188H	DMAIC3	DMAIF3	DMAMK3	0	0	0	DMAPR32	DMAPR31	DMAPR30

### 15.3.5 Interrupt mask registers 0 to 3 (IMR0 to IMR3)

The IMR0 to IMR3 registers set the interrupt mask state for the maskable interrupts. The xxMKn bit of the IMR0 to IMR3 registers is equivalent to the xxICn.xxMKn bit.

The IMRm register can be read or written in 16-bit units (m = 0 to 3).

If the higher 8 bits of the IMRm register are used as an IMRmH register and the lower 8 bits as an IMRmL register, these registers can be read or written in 8-bit or 1-bit units (m = 0 to 3).

Reset sets these registers to FFFFH.

**Caution** The device file defines the xxICn.xxMKn bit as a reserved word. If a bit is manipulated using the name of xxMKn, the contents of the xxICn register, instead of the IMRm register, are rewritten (as a result, the contents of the IMRm register are also rewritten).

After reset: FFFFH R/W Address: IMR3 FFFFF106H,  
IMR3L FFFFF106H, IMR3H FFFFF107H

	15	14	13	12	11	10	9	8
IMR3 (IMR3H <sup>Note</sup> )	1	1	1	DMAMK3	DMAMK2	DMAMK1	DMAMK0	1
	7	6	5	4	3	2	1	0
IMR3L	1	1	1	UA2TMK	UA2RMK	TQ1CCMK3	TQ1CCMK2	TQ1CCMK1

After reset: FFFFH R/W Address: IMR2 FFFFF104H,  
IMR2L FFFFF104H, IMR2H FFFFF105H

	15	14	13	12	11	10	9	8
IMR2 (IMR2H <sup>Note</sup> )	TQ1CCMK0	TQ1OVMK	PMK10	PMK9	PMK8	WTMK	WTIMK	KRMK
	7	6	5	4	3	2	1	0
IMR2L	1	1	1	1	ADMK	UA1TMK	UA1RMK	UA0TMK

After reset: FFFFH R/W Address: IMR1 FFFFF102H,  
IMR1L FFFFF102H, IMR1H FFFFF103H

	15	14	13	12	11	10	9	8
IMR1 (IMR1H <sup>Note</sup> )	UAORMK	CB1TMK	CB1RMK	CB0TMK	CB0RMK	TM0EQMK0	TP3CCMK1	TP3CCMK0
	7	6	5	4	3	2	1	0
IMR1L	TP3OVMK	TP2CCMK1	TP2CCMK0	TP2OVMK	TP1CCMK1	TP1CCMK0	TP1OVMK	TP0CCMK1

After reset: FFFFH R/W Address: IMR0 FFFFF100H,  
IMR0L FFFFF100H, IMR0H FFFFF101H

	15	14	13	12	11	10	9	8
IMR0 (IMR0H <sup>Note</sup> )	TP0CCMK0	TP0OVMK	TQ0CCMK3	TQ0CCMK2	TQ0CCMK1	TQ0CCMK0	TQ0OVMK	PMK7
	7	6	5	4	3	2	1	0
IMR0L	PMK6	PMK5	PMK4	PMK3	PMK2	PMK1	PMK0	LVIMK

xxMKn	Setting of interrupt mask flag
0	Interrupt servicing enabled
1	Interrupt servicing disabled

**Note** To read bits 8 to 15 of the IMR0 to IMR3 registers in 8-bit or 1-bit units, specify them as bits 0 to 7 of IMR0H to IMR3H registers.

**Caution** Set bits 15 to 13 and 8 to 5 of the IMR3 register and bits 7 to 4 of the IMR2 register to “1”. If the setting of these bits is changed, the operation is not guaranteed.

**Remark** xx: Identification name of each peripheral unit (see Table 15-2 Interrupt Control Registers (xxICn)).

n: Peripheral unit number (see Table 15-2 Interrupt Control Registers (xxICn))

### 15.3.6 In-service priority register (ISPR)

The ISPR register holds the priority level of the maskable interrupt currently acknowledged. When an interrupt request signal is acknowledged, the bit of this register corresponding to the priority level of that interrupt request signal is set to 1 and remains set while the interrupt is serviced.

When the RETI instruction is executed, the bit corresponding to the interrupt request signal having the highest priority is automatically reset to 0 by hardware. However, it is not reset to 0 when execution is returned from non-maskable interrupt servicing or exception processing.

This register is read-only, in 8-bit or 1-bit units.

Reset sets this register to 00H.

**Caution** If an interrupt is acknowledged while the ISPR register is being read in the interrupt enabled (EI) status, the value of the ISPR register after the bits of the register have been set by acknowledging the interrupt may be read. To accurately read the value of the ISPR register before an interrupt is acknowledged, read the register while interrupts are disabled (DI).

After reset: 00H	R	Address: FFFFF1FAH						
	7	6	5	4	3	2	1	0
ISPR	ISPR7	ISPR6	ISPR5	ISPR4	ISPR3	ISPR2	ISPR1	ISPR0
ISPRn	Priority of interrupt currently acknowledged							
0	Interrupt request signal with priority n not acknowledged							
1	Interrupt request signal with priority n acknowledged							

**Remark** n = 0 to 7 (priority level)



### 15.3.7 ID flag

This flag controls the maskable interrupt's operating state, and stores control information regarding enabling or disabling of interrupt request signals. An interrupt disable flag (ID) is assigned to the PSW.

Reset sets this flag to 00000020H.

After reset: 00000020H

	31		8	7	6	5	4	3	2	1	0
PSW	0			NP	EP	ID	SAT	CY	OV	S	Z

ID	Specification of maskable interrupt servicing <sup>Note</sup>
0	Maskable interrupt request signal acknowledgment enabled
1	Maskable interrupt request signal acknowledgment disabled (pending)

**Note** Interrupt disable flag (ID) function  
 This bit is set to 1 by the DI instruction and cleared to 0 by the EI instruction. Its value is also modified by the RETI instruction or LDSR instruction when referencing the PSW.  
 Non-maskable interrupt request signals and exceptions are acknowledged regardless of this flag. When a maskable interrupt request signal is acknowledged, the ID flag is automatically set to 1 by hardware.  
 The interrupt request signal generated during the acknowledgment disabled period (ID flag = 1) is acknowledged when the xxICn.xxIFn bit is set to 1, and the ID flag is cleared to 0.

### 15.3.8 Watchdog timer mode register 2 (WDTM2)

This register can be read or written in 8-bit units (for details, see **CHAPTER 10 FUNCTIONS OF WATCHDOG TIMER 2**).

Reset sets this register to 67H.

After reset: 67H    R/W    Address: FFFFF6D0H

	7	6	5	4	3	2	1	0
WDTM2	0	WDM21	WDM20	0	0	0	0	0

WDM21	WDM20	Selection of watchdog timer operation mode
0	0	Stops operation
0	1	Non-maskable interrupt request mode
1	×	Reset mode (initial-value)

## 15.4 Software Exception

A software exception is generated when the CPU executes the TRAP instruction, and can always be acknowledged.

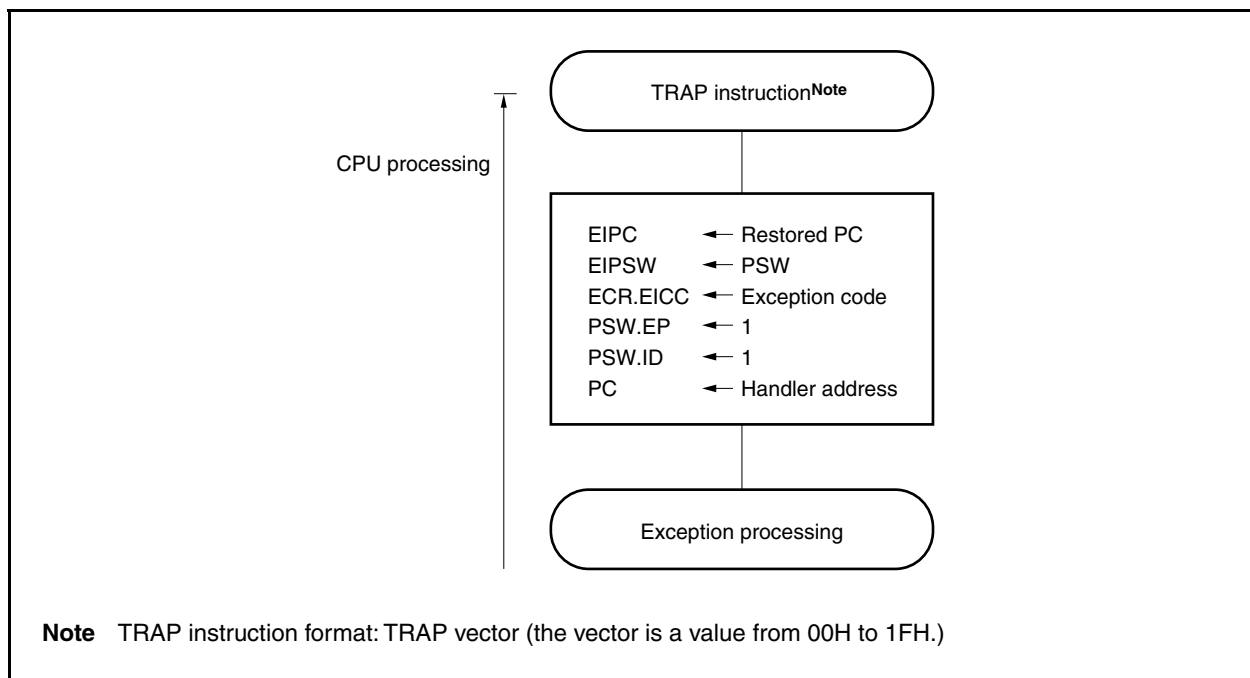
### 15.4.1 Operation

If a software exception occurs, the CPU performs the following processing, and transfers control to the handler routine.

- <1> Saves the restored PC to EIPC.
- <2> Saves the current PSW to EIPSW.
- <3> Writes an exception code to the lower 16 bits (EICC) of ECR (interrupt source).
- <4> Sets the PSW.EP and PSW.ID bits to 1.
- <5> Sets the handler address (00000040H or 00000050H) corresponding to the software exception to the PC, and transfers control.

Figure 15-9 illustrates the processing of a software exception.

**Figure 15-9. Software Exception Processing**



The handler address is determined by the TRAP instruction's operand (vector). If the vector is 00H to 0FH, it becomes 00000040H, and if the vector is 10H to 1FH, it becomes 00000050H.

### 15.4.2 Restore

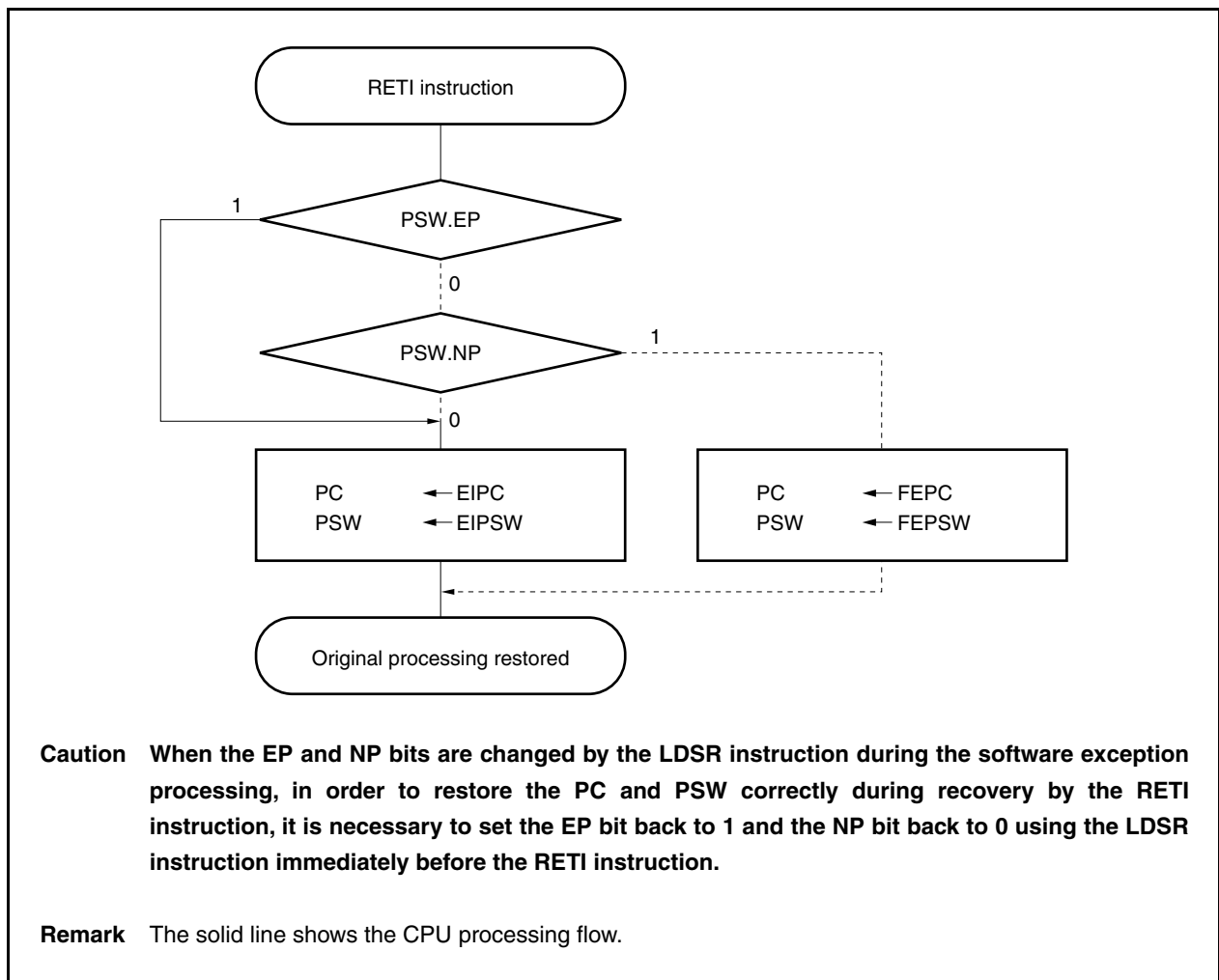
Recovery from software exception processing is carried out by the RETI instruction.

By executing the RETI instruction, the CPU carries out the following processing and shifts control to the restored PC's address.

- <1> Loads the restored PC and PSW from EIPC and EIPSW because the PSW.EP bit is 1.
- <2> Transfers control to the address of the restored PC and PSW.

Figure 15-10 illustrates the processing of the RETI instruction.

**Figure 15-10. RETI Instruction Processing**



**15.4.3 EP flag**

The EP flag is a status flag used to indicate that exception processing is in progress. It is set when an exception occurs.

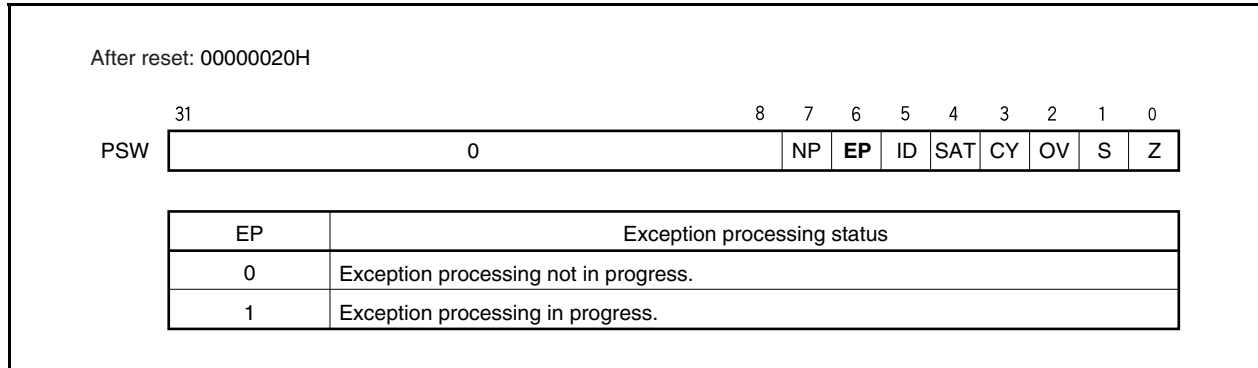
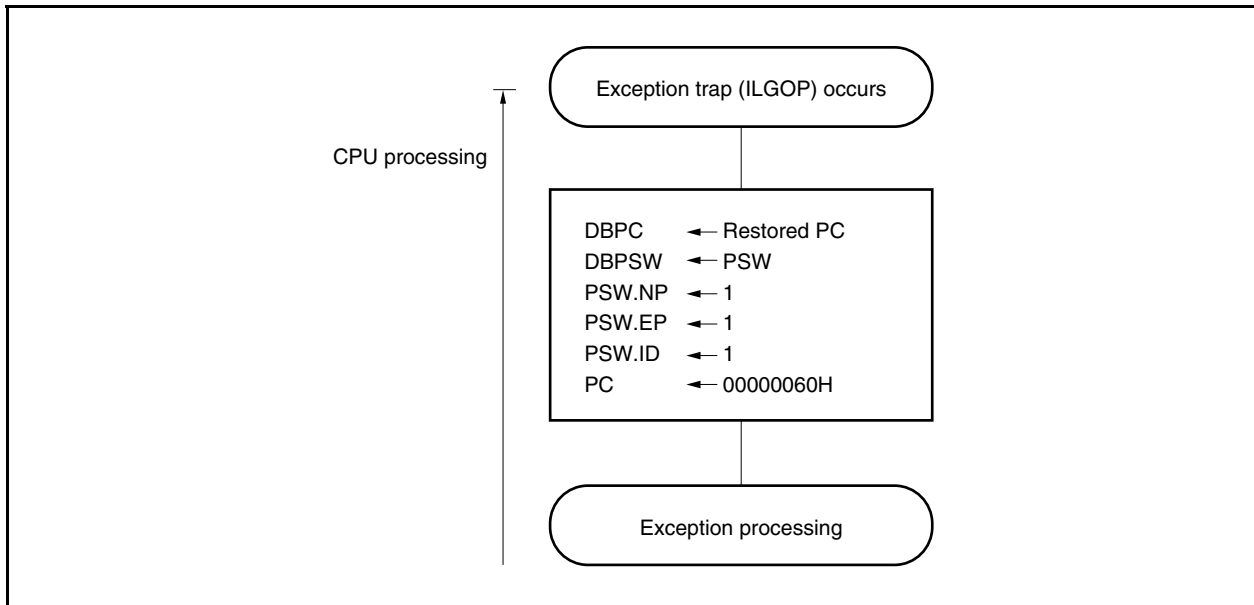




Figure 15-11. Exception Trap Processing

**(2) Restore**

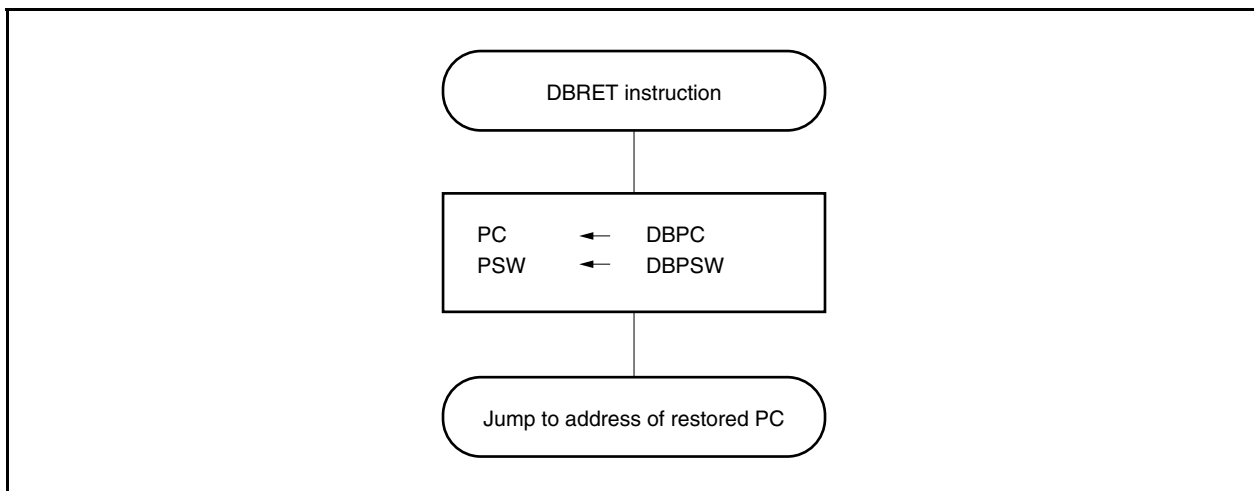
Recovery from an exception trap is carried out by the DBRET instruction. By executing the DBRET instruction, the CPU carries out the following processing and controls the address of the restored PC.

- <1> Loads the restored PC and PSW from DBPC and DBPSW.
- <2> Transfers control to the address indicated by the restored PC and PSW.

**Caution** DBPC and DBPSW can be accessed only during the interval between the execution of the illegal opcode and the DBRET instruction.

Figure 15-12 illustrates the restore processing from an exception trap.

Figure 15-12. Restore Processing from Exception Trap



### 15.5.2 Debug trap

A debug trap is an exception that is generated when the DBTRAP instruction is executed and is always acknowledged.

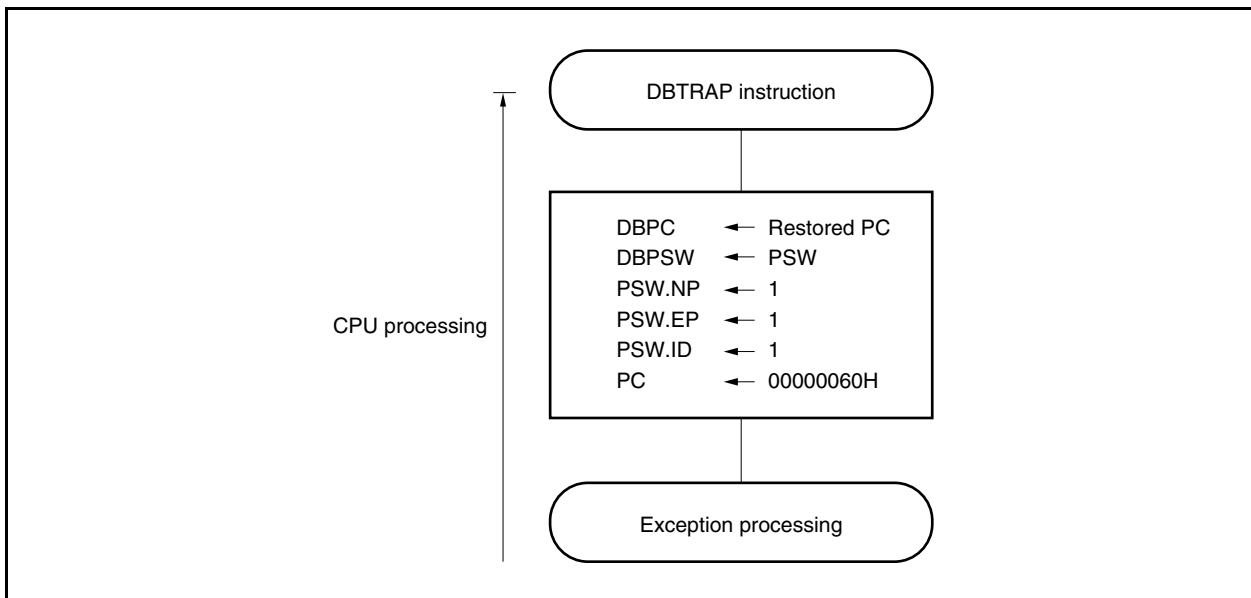
#### (1) Operation

Upon occurrence of a debug trap, the CPU performs the following processing.

- <1> Saves restored PC to DBPC.
- <2> Saves current PSW to DBPSW.
- <3> Sets the PSW.NP, PSW.EP, and PSW.ID bits to 1.
- <4> Sets handler address (00000060H) for debug trap to PC and transfers control.

Figure 15-13 shows the debug trap processing format.

**Figure 15-13. Debug Trap Processing Format**



**(2) Restoration**

Restoration from a debug trap is executed with the DBRET instruction.

With the DBRET instruction, the CPU performs the following steps and transfers control to the address of the restored PC.

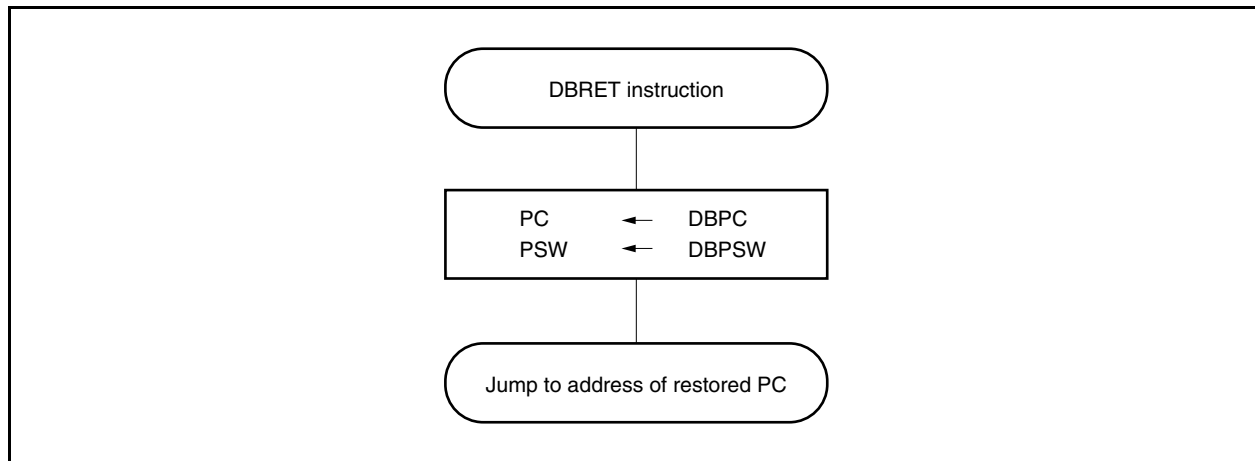
<1> The restored PC and PSW are read from DBPC and DBPSW.

<2> Control is transferred to the fetched address of the restored PC and PSW.

**Caution** DBPC and DBPSW can be accessed only during the interval between the execution of the DBTRAP instruction and the DBRET instruction.

Figure 15-14 shows the processing format for restoration from a debug trap.

**Figure 15-14. Processing Format of Restoration from Debug Trap**





## 15.6 External Interrupt Request Input Pins (NMI and INTP0 to INTP10)

### 15.6.1 Noise elimination

#### (1) Eliminating noise on NMI pin

The NMI pin has an internal noise elimination circuit that uses analog delay. Therefore, the input level of the NMI pin is not detected as an edge unless it is maintained for a specific time or longer. Therefore, an edge is detected after specific time.

The NMI pin can be used to release the STOP mode. In the STOP mode, noise is not eliminated by using the system clock because the internal system clock is stopped.

#### (2) Eliminating noise on INTP0 to INTP10 pins

The INTP0 to INTP10 pins have an internal noise elimination circuit that uses analog delay. Therefore, the input level of the NMI pin is not detected as an edge unless it is maintained for a specific time or longer. Therefore, an edge is detected after specific time.

### 15.6.2 Edge detection

The valid edge of each of the NMI and INTP0 to INTP10 pins can be selected from the following four.

- Rising edge
- Falling edge
- Both rising and falling edges
- No edge detected

The edge of the NMI pin is not detected after reset. Therefore, the interrupt request signal is not acknowledged unless a valid edge is enabled by using the INTF0 and INTR0 register (the NMI pin functions as a normal port pin).

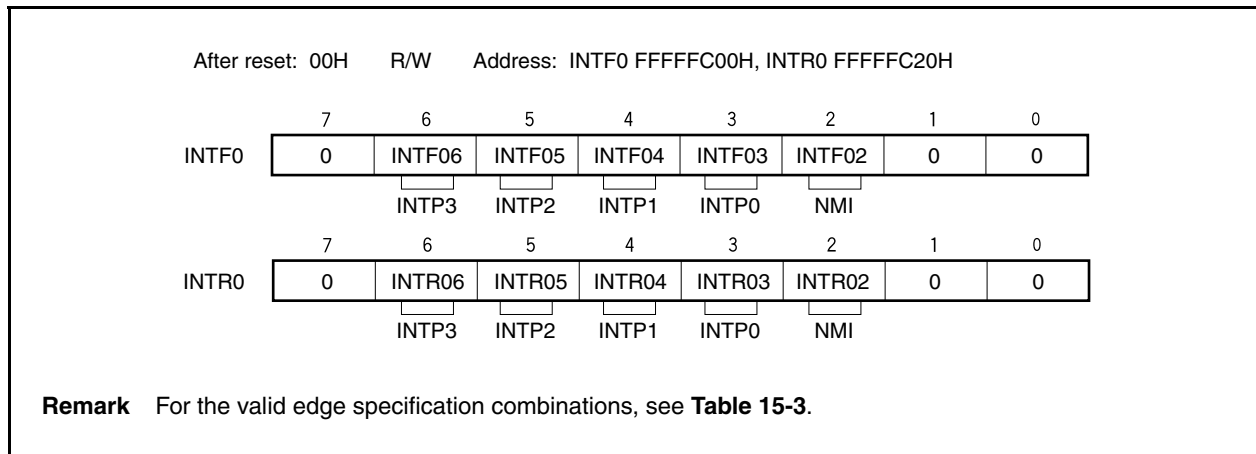
**(1) External interrupt falling, rising edge specification register 0 (INTF0, INTR0)**

The INTF0 and INTR0 registers are 8-bit registers that specify detection of the falling and rising edges of the NMI pin via bit 2 and the external interrupt pins (INTP0 to INTP3) via bits 3 to 6.

These registers can be read or written in 8-bit or 1-bit units.

Reset sets these registers to 00H.

**Caution** When the function is changed from the external interrupt function (alternate function) to the port function, an edge may be detected. Therefore, clear the INTF0n and INTR0n bits to 00, and then set the port mode.



**Table 15-3. Valid Edge Specification**

INTF0n	INTR0n	Valid Edge Specification (n = 2 to 6)
0	0	No edge detected
0	1	Rising edge
1	0	Falling edge
1	1	Both rising and falling edges

**Caution** Be sure to clear the INTF0n and INTR0n bits to 00 if the corresponding pin is not used as the NMI or INTP0 to INTP3 pins.

**Remark** n = 2: Control of NMI pin  
n = 3 to 6: Control of INTP0 to INTP3 pins

**(2) External interrupt rising, falling edge specification register 1 (INTR1, INTF1)**

The INTR1 and INTF1 registers are 8-bit registers that specify detection of the rising and falling edges of the INTP9 and INTP10 pins.

These registers can be read or written in 8-bit or 1-bit units.

Reset sets these registers to 00H.

**Caution** When the function is changed from the external interrupt function (alternate function) to the port function, an edge may be detected. Therefore, clear the INTF1n and INTR1n bits to 00, and then set the port mode.

After reset: 00H    R/W    Address: INTR1 FFFFC22H, INTF1 FFFFC02H

INTR1	7	6	5	4	3	2	1	0
	0	0	0	0	0	0	INTR11	INTR10
							└──┬──┘	└──┬──┘
							INTP10	INTP9

INTF1	7	6	5	4	3	2	1	0
	0	0	0	0	0	0	INTF11	INTF10
							└──┬──┘	└──┬──┘
							INTP10	INTP9

**Remark** For the valid edge specification combinations, see **Table 15-4**.

**Table 15-4. Valid Edge Specification**

INTF1n	INTR1n	Valid Edge Specification (n = 0, 1)
0	0	No edge detected
0	1	Rising edge
1	0	Falling edge
1	1	Both rising and falling edges

**Caution** Be sure to clear the INTF1n and INTR1n bits to 00 if the corresponding pin is not used as the INTP9 and INTP10 pins.

**Remark** n = 0: Control of INTP9 pin  
 n = 1: Control of INTP10 pin

**(3) External interrupt rising, falling edge specification register 3 (INTR3, INTF3)**

The INTR3 and INTF3 registers are 8-bit registers that specify detection of the rising and falling edges of the INTP7 and INTP8 pins.

These registers can be read or written in 16-bit units.

However, when the higher 8 bits of INTF3 register are used as the INTF3H register and the lower 8 bits as the INTF3L register, they can be read or written in 8-bit or 1-bit units.

Reset sets these registers to 00H.

**Caution** When the function is changed from the external interrupt function (alternate function) to the port function, an edge may be detected. Therefore, clear the INTF3n and INTR3n bits to 00, and then set the port mode.

After reset: 0000H    R/W    Address: INTF3 FFFFFFFC06H,  
INTF3L FFFFFFFC06H, INTF3H FFFFFFFC07H

	7	6	5	4	3	2	1	0
INTF3 (INTF3H <sup>Note</sup> )	0	0	0	0	0	0	INTF39	0
							┌	
							└	
							INTP8	
(INTF3L)	0	0	0	0	0	0	INTF31	0
							┌	
							└	
							INTP7	

After reset: 0000H    R/W    Address: INTR3 FFFFFFFC26H,  
INTR3L FFFFFFFC26H, INTR3H FFFFFFFC27H

	7	6	5	4	3	2	1	0
INTR3 (INTR3H <sup>Note</sup> )	0	0	0	0	0	0	INTR39	0
							┌	
							└	
							INTP8	
(INTR3L)	0	0	0	0	0	0	INTR31	0
							┌	
							└	
							INTP7	

**Caution** When bits 8 to 15 of the INTF3 and INTR3 registers are read or written in 8-bit or 1-bit units, specify them as bits 0 to 7 of the INTF3H and INTR3H registers.

**Remark** For the valid edge specification combinations, see Table 15-5.

**Table 15-5. Valid Edge Specification**

INTF3n	INTR3n	Valid Edge Specification (n = 1, 9)
0	0	No edge detected
0	1	Rising edge
1	0	Falling edge
1	1	Both rising and falling edges

**Caution** Be sure to clear the INTF3n and INTR3n bits to 00 if the corresponding pin is not used as the INTP7 and INTP8 pins.

**Remark** n = 1: Control of INTP7 pin  
n = 9: Control of INTP8 pin

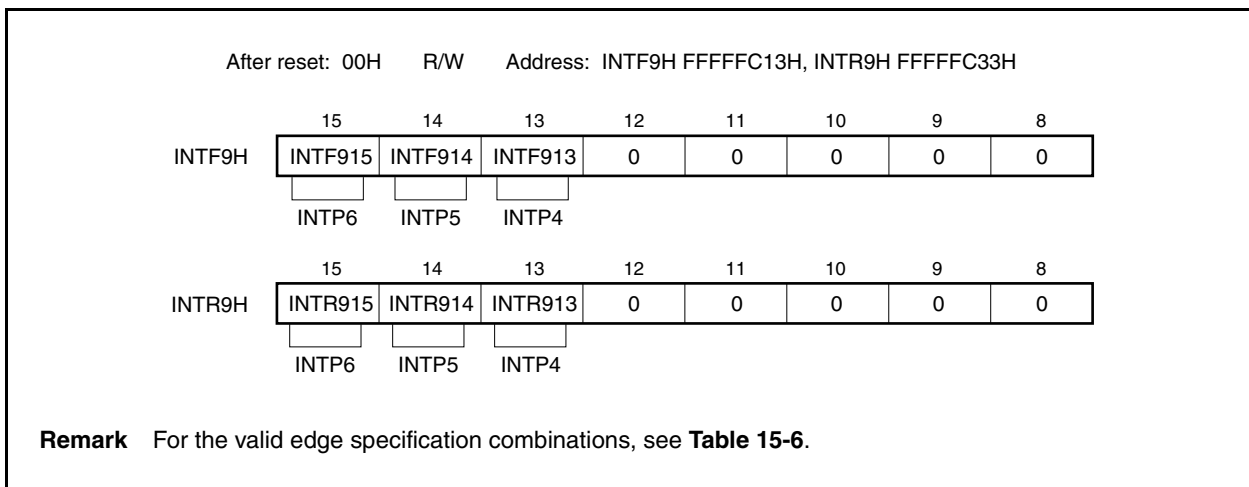
**(4) External interrupt falling, rising edge specification register 9H (INTF9H, INTR9H)**

The INTF9H and INTR9H registers are 8-bit registers that specify detection of the falling and rising edges of the external interrupt pins (INTP4 to INTP6).

These registers can be read or written in 8-bit or 1-bit units.

Reset sets these registers to 00H.

**Caution** When the function is changed from the external interrupt function (alternate function) to the port function, an edge may be detected. Therefore, clear the INTF9n and INTR9n bits to 0, and then set the port mode.



**Table 15-6. Valid Edge Specification**

INTF9n	INTR9n	Valid Edge Specification (n = 13 to 15)
0	0	No edge detected
0	1	Rising edge
1	0	Falling edge
1	1	Both rising and falling edges

**Caution** Be sure to clear the INTF9n and INTR9n bits to 00 if the corresponding pin is not used as INTP4 to INTP6 pins.

**Remark** n = 13 to 15: Control of INTP4 to INTP6 pins

**(5) Noise elimination control register (NFC)**

Digital noise elimination can be selected for the INTP3 pin. The noise elimination settings are performed using the NFC register.

When digital noise elimination is selected, the sampling clock for digital sampling can be selected from among  $f_{xx}/64$ ,  $f_{xx}/128$ ,  $f_{xx}/256$ ,  $f_{xx}/512$ ,  $f_{xx}/1,024$ , and  $f_{XT}$ . Sampling is performed three times.

When digital noise elimination is selected, if the clock that performs sampling in the standby mode is stopped, then the INTP3 interrupt request signal cannot be used for releasing the standby mode. When  $f_{XT}$  is used as the sampling clock, the INTP3 interrupt request signal can be used for releasing either the subclock operating mode or the IDLE1/IDLE2/STOP/sub-IDLE mode.

This register can be read or written in 8-bit units.

Reset sets this register to 00H.

**Caution** Time equal to the sampling clock  $\times$  the number of times set by the NFSTS bit is required until the digital noise eliminator is initialized after the sampling clock has been changed. If the valid edge of INTP3 is input after the sampling clock has been changed and before the time of the sampling clock  $\times$  the number of times set by the NFSTS bit passes, therefore, the interrupt request signal may be generated. Therefore, note the following points when using the interrupt and DMA functions.

- When using the interrupt function, after the sampling clock  $\times$  the number of times set by the NFSTS bit have elapsed, enable interrupts after the interrupt request flag (PIC3.PIF3 bit) has been cleared.
- When using the DMA function (started by INTP3), enable DMA after the sampling clock  $\times$  the number of times set by the NFSTS bit have elapsed.

After reset: 00H R/W Address: FFFF318H

	7	6	5	4	3	2	1	0
NFC	NFEN	NFSTS	0	0	0	NFC2	NFC1	NFC0

NFEN	Settings of INTP3 pin noise elimination
0	Analog noise elimination (60 ns (TYP.))
1	Digital noise elimination

NFSTS	Setting of number of times of sampling of digital noise elimination
0	Number of times of sampling × 3 times
1	Number of times of sampling × twice

NFC2	NFC1	NFC0	Digital sampling clock
0	0	0	$f_{xx}/64$
0	0	1	$f_{xx}/128$
0	1	0	$f_{xx}/256$
0	1	1	$f_{xx}/512$
1	0	0	$f_{xx}/1,024$
1	0	1	$f_{xt}$ (subclock)
Other than above			Setting prohibited

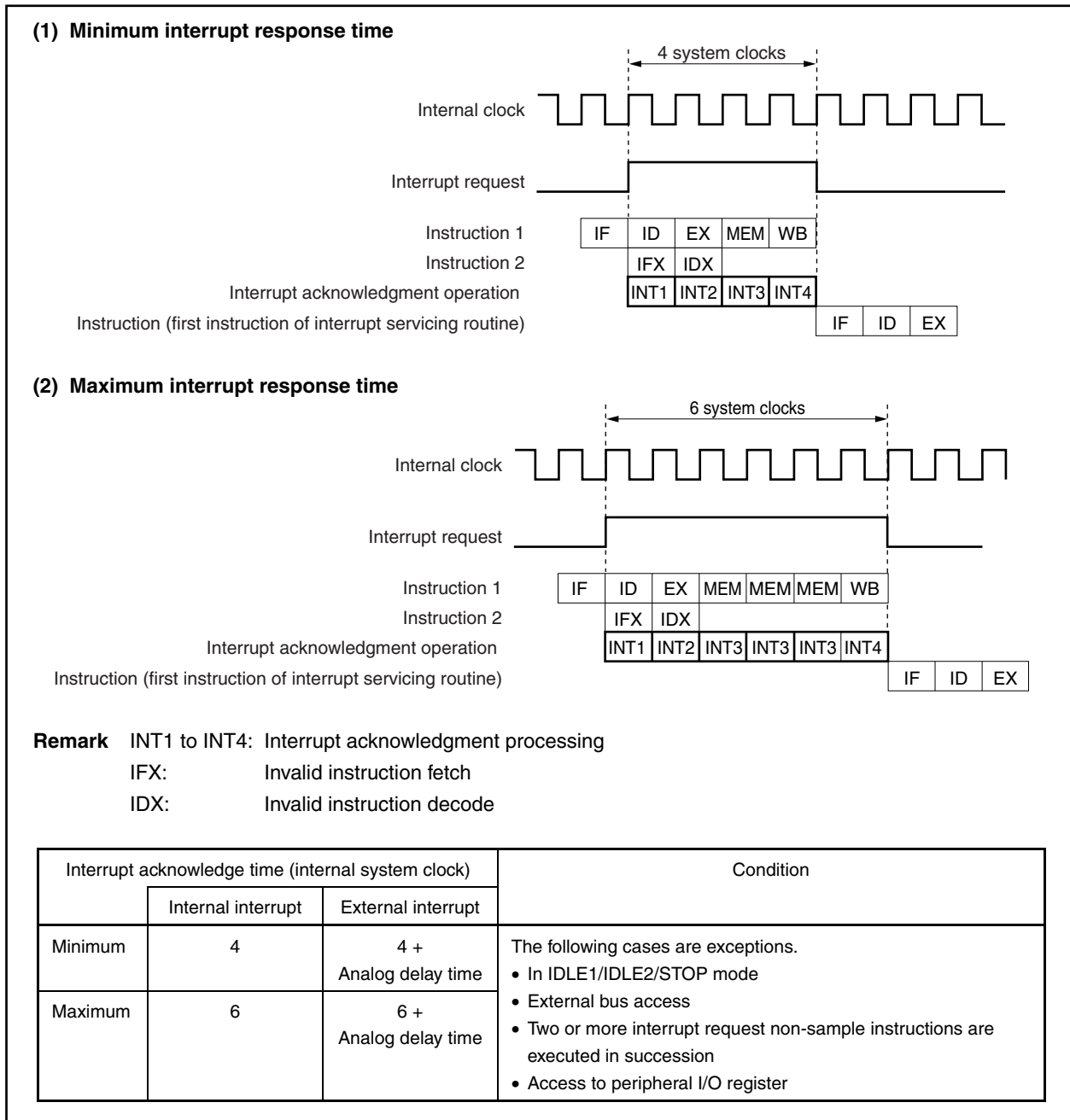
- Remarks**
1. Since sampling is performed three times, the reliably eliminated noise width is 2 sampling clocks.
  2. In the case of noise with a width smaller than 2 sampling clocks, an interrupt request signal is generated if noise synchronized with the sampling clock is input.

### 15.7 Interrupt Acknowledge Time of CPU

Except the following cases, the interrupt acknowledge time of the CPU is 4 clocks minimum. To input interrupt request signals successively, input the next interrupt request signal at least 5 clocks after the preceding interrupt.

- In IDLE1/IDLE2/STOP mode
- When the external bus is accessed
- When interrupt request non-sampling instructions are successively executed (see 15.8 Periods in Which Interrupts Are Not Acknowledged by CPU.)
- When the interrupt control register is accessed

Figure 15-15. Pipeline Operation at Interrupt Request Signal Acknowledgment (Outline)





## 15.8 Periods in Which Interrupts Are Not Acknowledged by CPU

An interrupt is acknowledged by the CPU while an instruction is being executed. However, no interrupt will be acknowledged between an interrupt request non-sample instruction and the next instruction (interrupt is held pending).

The interrupt request non-sample instructions are as follows.

- EI instruction
- DI instruction
- LDSR reg2, 0x5 instruction (for PSW)
- The store instruction for the PRCMD register
- The store, SET1, NOT1, or CLR1 instructions for the following registers:
  - Interrupt-related registers:  
Interrupt control register (xxICn), interrupt mask registers 0 to 4 (IMR0 to IMR3)
  - In-service priority register (ISPR):
  - Command register (PRCMD):
  - Power save control register (PSC)
  - On-chip debug mode register (OCDM)
  - Peripheral emulation register 1 (PEMU1):

**Remark** xx: Identification name of each peripheral unit (see **Table 15-2 Interrupt Control Registers (xxICn)**)

n: Peripheral unit number (see **Table 15-2 Interrupt Control Registers (xxICn)**).

## 15.9 Cautions

The NMI pin alternately functions as the P02 pin. It functions as a normal port pin after reset. To enable the NMI pin, validate the NMI pin with the PMC0 register. The initial setting of the NMI pin is “No edge detected”. Select the NMI pin valid edge using the INTF0 and INTRO registers.

## CHAPTER 16 KEY INTERRUPT FUNCTION

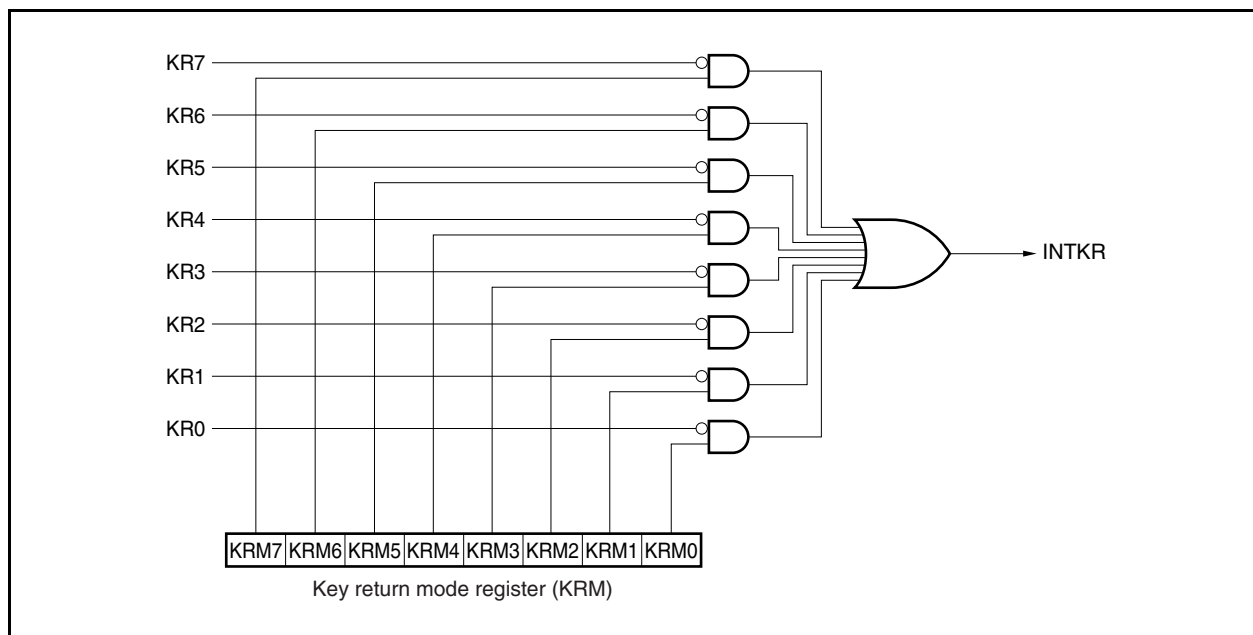
### 16.1 Function

A key interrupt request signal (INTKR) can be generated by inputting a falling edge to the eight key input pins (KR0 to KR7) by setting the KRM register.

**Table 16-1. Assignment of Key Return Detection Pins**

Flag	Pin Description
KRM0	Controls KR0 signal in 1-bit units
KRM1	Controls KR1 signal in 1-bit units
KRM2	Controls KR2 signal in 1-bit units
KRM3	Controls KR3 signal in 1-bit units
KRM4	Controls KR4 signal in 1-bit units
KRM5	Controls KR5 signal in 1-bit units
KRM6	Controls KR6 signal in 1-bit units
KRM7	Controls KR7 signal in 1-bit units

**Figure 16-1. Key Return Block Diagram**



## 16.2 Register

### (1) Key return mode register (KRM)

The KRM register controls the KRM0 to KRM7 bits using the KR0 to KR7 signals.

This register can be read or written in 8-bit or 1-bit units.

Reset sets this register to 00H.

After reset: 00H		R/W	Address: FFFFF300H					
	7	6	5	4	3	2	1	0
KRM	KRM7	KRM6	KRM5	KRM4	KRM3	KRM2	KRM1	KRM0
	KRMn	Control of key return mode						
	0	Does not detect key return signal						
	1	Detects key return signal						

**Caution** Rewrite the KRM register after once clearing the KRM register to 00H.

**Remark** For the alternate-function pin settings, see **Table 4-19 Using Port Pin as Alternate-Function Pin**.

## 16.3 Cautions

- (1) If a low level is input to any of the KR0 to KR7 pins, the INTKR signal is not generated even if the falling edge of another pin is input.
- (2) The RXDA1 and KR7 pins must not be used at the same time. To use the RXDA1 pin, do not use the KR7 pin. To use the KR7 pin, do not use the RXDA1 pin (it is recommended to set the PFC91 bit to 1 and clear PFCE91 bit to 0).
- (3) If the KRM register is changed, an interrupt request signal (INTKR) may be generated. To prevent this, change the KRM register after disabling interrupts (DI) or masking, then clear the interrupt request flag (KRIC.KRIF bit) to 0, and enable interrupts (EI) or clear the mask.
- (4) To use the key interrupt function, be sure to set the port pin to the key return pin and then enable the operation with the KRM register. To switch from the key return pin to the port pin, disable the operation with the KRM register and then set the port pin.

## CHAPTER 17 STANDBY FUNCTION

### 17.1 Overview

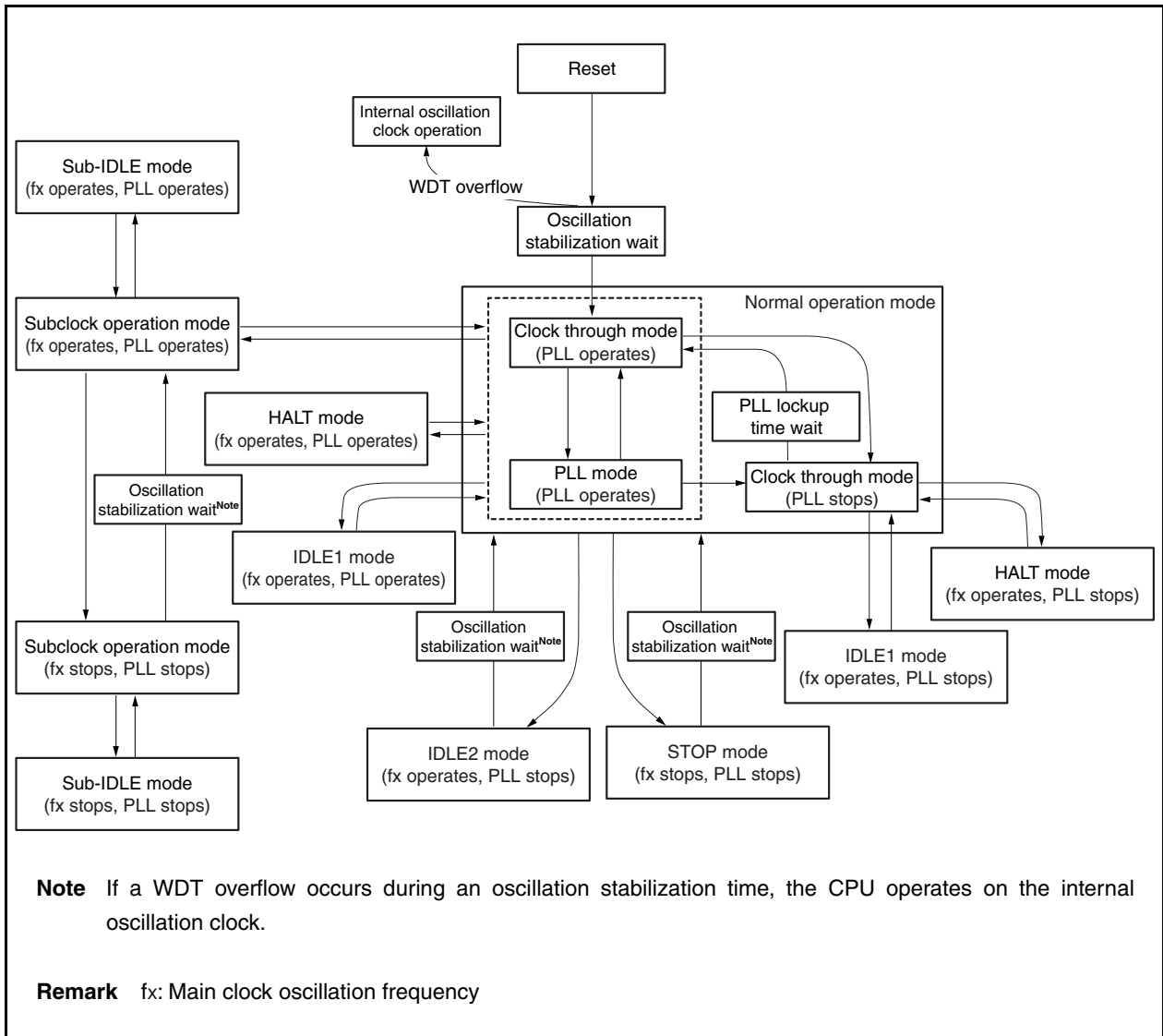
The power consumption of the system can be effectively reduced by using the standby modes in combination and selecting the appropriate mode for the application. The available standby modes are listed in Table 17-1.

**Table 17-1. Standby Modes**

Mode	Functional Outline
HALT mode	Mode in which only the operating clock of the CPU is stopped
IDLE1 mode	Mode in which all the operations of the internal circuits except the oscillator, PLL <sup>Note</sup> , and flash memory are stopped
IDLE2 mode	Mode in which all the internal operations of the chip except the oscillator are stopped
STOP mode	Mode in which all the internal operations of the chip except the subclock oscillator are stopped
Subclock operation mode	Mode in which the subclock is used as the internal system clock
Sub-IDLE mode	Mode in which all the internal operations of the chip except the oscillator are stopped, in the subclock operation mode

**Note** The PLL holds the previous operating status.

Figure 17-1. Status Transition



## 17.2 Registers

### (1) Power save control register (PSC)

The PSC register is an 8-bit register that controls the standby function. The STP bit of this register is used to specify the STOP mode. This register is a special register that can be written only by the special sequence combinations (see 3.4.7 Special registers).

This register can be read or written in 8-bit or 1-bit units.

Reset sets this register to 00H.

After reset: 00H    R/W    Address: FFFFF1FEH

	7	6	5	4	3	2	1	0
PSC	0	NMI1M	NMI0M	INTM	0	0	STP	0

NMI1M	Standby mode release control upon occurrence of INTWDT2 signal
0	Standby mode release by INTWDT2 signal enabled
1	Standby mode release by INTWDT2 signal disabled

NMI0M	Standby mode release control by NMI pin input
0	Standby mode release by NMI pin input enabled
1	Standby mode release by NMI pin input disabled

INTM	Standby mode release control via maskable interrupt request signal
0	Standby mode release by maskable interrupt request signal enabled
1	Standby mode release by maskable interrupt request signal disabled

STP	Standby mode <sup>Note</sup> setting
0	Normal mode
1	Standby mode

**Note** Standby mode set by STP bit: IDLE1, IDLE2, STOP, or sub-IDLE mode

- Cautions**
1. Before setting the IDLE1, IDLE2, STOP, or sub-IDLE mode, set the PSMR.PSM1 and PSMR.PSM0 bits and then set the STP bit.
  2. Settings of the NMI1M, NMI0M, and INTM bits are invalid when HALT mode is released.

**(2) Power save mode register (PSMR)**

The PSMR register is an 8-bit register that controls the operation status in the power save mode and the clock operation.

This register can be read or written in 8-bit or 1-bit units.

Reset sets this register to 00H.

After reset: 00H    R/W    Address: FFFFF820H

	7	6	5	4	3	2	1	0
PSMR	0	0	0	0	0	0	PSM1	PSM0

PSM1	PSM0	Specification of operation in software standby mode
0	0	IDLE1, sub-IDLE modes
0	1	STOP mode
1	0	IDLE2, sub-IDLE modes
1	1	STOP mode

**Cautions 1. Be sure to clear bits 2 to 7 to “0”.**

**2. The PSM0 and PSM1 bits are valid only when the PSC.STP bit is 1.**

**Remark** IDLE1: In this mode, all operations except the oscillator operation and some other circuits (flash memory and PLL) are stopped.  
After the IDLE1 mode is released, the normal operation mode is restored without needing to secure the oscillation stabilization time, like the HALT mode.

IDLE2: In this mode, all operations except the oscillator operation are stopped.  
After the IDLE2 mode is released, the normal operation mode is restored following the lapse of the setup time specified by the OSTS register (flash memory and PLL).

STOP: In this mode, all operations except the subclock oscillator operation are stopped.  
After the STOP mode is released, the normal operation mode is restored following the lapse of the oscillation stabilization time specified by the OSTS register.

Sub-IDLE: In this mode, all other operations are halted except for the oscillator. After the IDLE mode has been released by the interrupt request signal, the subclock operation mode will be restored after 12 cycles of the subclock have been secured.

**(3) Oscillation stabilization time select register (OSTS)**

The wait time until the oscillation stabilizes after the STOP mode is released or the wait time until the on-chip flash memory stabilizes after the IDLE2 mode is released is controlled by the OSTS register.

The OSTS register can be read or written 8-bit units.

Reset sets this register to 06H.

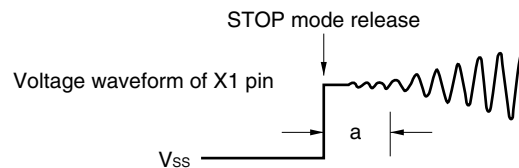
After reset: 06H R/W Address: FFFFF6C0H

	7	6	5	4	3	2	1	0
OSTS	0	0	0	0	0	OSTS2	OSTS1	OSTS0

OSTS2	OSTS1	OSTS0	Selection of oscillation stabilization time/setup time <sup>Note</sup>	f <sub>x</sub>	
				4 MHz	5 MHz
				0	0
0	0	1	$2^{11}/f_x$	0.512 ms	0.410 ms
0	1	0	$2^{12}/f_x$	1.024 ms	0.819 ms
0	1	1	$2^{13}/f_x$	2.048 ms	1.638 ms
1	0	0	$2^{14}/f_x$	4.096 ms	3.277 ms
1	0	1	$2^{15}/f_x$	8.192 ms	6.554 ms
1	1	0	$2^{16}/f_x$	16.38 ms	13.107 ms
1	1	1	Setting prohibited		

**Note** The oscillation stabilization time and setup time are required when the STOP mode and IDLE2 mode are released, respectively.

**Cautions** 1. The wait time following release of the STOP mode does not include the time until the clock oscillation starts (“a” in the figure below) following release of the STOP mode, regardless of whether the STOP mode is released by reset or the occurrence of an interrupt request signal.



2. Be sure to clear bits 3 to 7 to “0”.

3. The oscillation stabilization time following reset release is  $2^{16}/f_x$  (because the initial value of the OSTS register = 06H).

**Remark** f<sub>x</sub> = Main clock oscillation frequency



## 17.3 HALT Mode

### 17.3.1 Setting and operation status

The HALT mode is set when a dedicated instruction (HALT) is executed in the normal operation mode.

In the HALT mode, the clock oscillator continues operating. Only clock supply to the CPU is stopped; clock supply to the other on-chip peripheral functions continues.

As a result, program execution is stopped, and the internal RAM retains the contents before the HALT mode was set. The on-chip peripheral functions that are independent of instruction processing by the CPU continue operating.

Table 17-3 shows the operating status in the HALT mode.

The average current consumption of the system can be reduced by using the HALT mode in combination with the normal operation mode for intermittent operation.

- Cautions**
1. **Insert five or more NOP instructions after the HALT instruction.**
  2. **If the HALT instruction is executed while an unmasked interrupt request signal is being held pending, the status shifts to HALT mode, but the HALT mode is then released immediately by the pending interrupt request.**

### 17.3.2 Releasing HALT mode

The HALT mode is released by a non-maskable interrupt request signal (NMI pin input, INTWDT2 signal), unmasked external interrupt request signal (INTP0 to INTP10 pin input), unmasked internal interrupt request signal from a peripheral function operable in the HALT mode, or reset signal (reset by  $\overline{\text{RESET}}$  pin input, WDT2RES signal, power-on clear circuit (POC), low-voltage detector (LVI), or clock monitor (CLM)).

After the HALT mode has been released, the normal operation mode is restored.

#### (1) Releasing HALT mode by non-maskable interrupt request signal or unmasked maskable interrupt request signal

The HALT mode is released by a non-maskable interrupt request signal or an unmasked maskable interrupt request signal, regardless of the priority of the interrupt request signal. If the HALT mode is set in an interrupt servicing routine, however, an interrupt request signal that is issued later is serviced as follows.

- (a) If an interrupt request signal with a priority lower than that of the interrupt request currently being serviced is issued, the HALT mode is released, but that interrupt request signal is not acknowledged. The interrupt request signal itself is retained.
- (b) If an interrupt request signal with a priority higher than that of the interrupt request currently being serviced is issued (including a non-maskable interrupt request signal), the HALT mode is released and that interrupt request signal is acknowledged.

**Table 17-2. Operation After Releasing HALT Mode by Interrupt Request Signal**

Release Source	Interrupt Enabled (EI) Status	Interrupt Disabled (DI) Status
Non-maskable interrupt request signal	Execution branches to the handler address.	
Maskable interrupt request signal	Execution branches to the handler address or the next instruction is executed.	The next instruction is executed.

**(2) Releasing HALT mode by reset**

The same operation as the normal reset operation is performed.

**Table 17-3. Operating Status in HALT Mode**

Setting of HALT Mode		Operating Status	
		When Subclock Is Not Used	When Subclock Is Used
Main clock oscillator		Oscillation enabled	
Subclock oscillator		–	Oscillation enabled
Internal oscillator		Oscillation enabled	
PLL		Operable	
CPU		Stops operation	
DMA		Operable	
Interrupt controller		Operable	
Timer P (TMP0 to TMP3)		Operable	
Timer Q (TMQ0, TMQ1)		Operable	
Timer M (TMM0)		Operable when a clock other than $f_{XT}$ is selected as the count clock	Operable
Watch timer		Operable when $f_x$ (divided BRG) is selected as the count clock	Operable
Watchdog timer 2		Operable	
Serial interface	CSIB0, CSIB1	Operable	
	UARTA0 to UARTA2	Operable	
A/D converter		Operable	
Key interrupt function (KR)		Operable	
Port function		Retains status before HALT mode was set	
Internal data		The CPU registers, statuses, data, and all other internal data such as the contents of the internal RAM are retained as they were before the HALT mode was set.	

## 17.4 IDLE1 Mode

### 17.4.1 Setting and operation status

The IDLE1 mode is set by clearing the PSMR.PSM1 and PSMR.PSM0 bits to 00 and setting the PSC.STP bit to 1 in the normal operation mode.

In the IDLE1 mode, the clock oscillator, PLL, and flash memory continue operating but clock supply to the CPU and other on-chip peripheral functions stops.

As a result, program execution stops and the contents of the internal RAM before the IDLE1 mode was set are retained. The CPU and other on-chip peripheral functions stop operating. However, the on-chip peripheral functions that can operate with the subclock or an external clock continue operating.

Table 17-5 shows the operating status in the IDLE1 mode.

The IDLE1 mode can reduce the power consumption more than the HALT mode because it stops the operation of the on-chip peripheral functions. The main clock oscillator does not stop, so the normal operation mode can be restored without waiting for the oscillation stabilization time after the IDLE1 mode has been released, in the same manner as when the HALT mode is released.

- Cautions**
1. Insert five or more NOP instructions after the instruction that stores data in the PSC register to set the IDLE1 mode.
  2. If the IDLE1 mode is set while an unmasked interrupt request signal is being held pending, the IDLE1 mode is released immediately by the pending interrupt request.

### 17.4.2 Releasing IDLE1 mode

The IDLE1 mode is released by a non-maskable interrupt request signal (NMI pin input, INTWDT2 signal), unmasked external interrupt request signal (INTP0 to INTP10 pin input), unmasked internal interrupt request signal from a peripheral function operable in the IDLE1 mode, or reset signal (reset by  $\overline{\text{RESET}}$  pin input, WDT2RES signal, power-on clear circuit (POC), low-voltage detector (LVI), or clock monitor (CLM)).

After the IDLE1 mode has been released, the normal operation mode is restored.

#### (1) Releasing IDLE1 mode by non-maskable interrupt request signal or unmasked maskable interrupt request signal

The IDLE1 mode is released by a non-maskable interrupt request signal or an unmasked maskable interrupt request signal, regardless of the priority of the interrupt request signal. If the IDLE1 mode is set in an interrupt servicing routine, however, an interrupt request signal that is issued later is processed as follows.

- Cautions**
1. An interrupt request signal that is disabled by setting the PSC.NMI1M, PSC.NMI0M, and PSC.INTM bits to 1 becomes invalid and IDLE1 mode is not released.
  2. If eliminating digital noise is selected by using the NFC register and if the sampling clock is selected from  $f_{xx}/64$ ,  $f_{xx}/128$ ,  $f_{xx}/256$ ,  $f_{xx}/512$ , and  $f_{xx}/1024$ , the IDLE1 mode cannot be released by the interrupt request signal of the INTP3 pin. For details, see 15.6.2 (5) Noise elimination control register (NFC).

- (a) If an interrupt request signal with a priority lower than that of the interrupt request currently being serviced is issued, the IDLE1 mode is released, but that interrupt request signal is not acknowledged. The interrupt request signal itself is retained.
- (b) If an interrupt request signal with a priority higher than that of the interrupt request currently being serviced is issued (including a non-maskable interrupt request signal), the IDLE1 mode is released and that interrupt request signal is acknowledged.

**Table 17-4. Operation After Releasing IDLE1 Mode by Interrupt Request Signal**

Release Source	Interrupt Enabled (EI) Status	Interrupt Disabled (DI) Status
Non-maskable interrupt request signal	Execution branches to the handler address.	
Maskable interrupt request signal	Execution branches to the handler address or the next instruction is executed.	The next instruction is executed.

**(2) Releasing IDLE1 mode by reset**

The same operation as the normal reset operation is performed.

**Table 17-5. Operating Status in IDLE1 Mode**

Setting of IDLE1 Mode		Operating Status	
		When Subclock Is Not Used	When Subclock Is Used
Item			
Main clock oscillator		Oscillation enabled	
Subclock oscillator		–	Oscillation enabled
Internal oscillator		Oscillation enabled	
PLL		Operable	
CPU		Stops operation	
DMA		Stops operation	
Interrupt controller		Stops operation (but standby mode release is possible)	
Timer P (TMP0 to TMP3)		Stops operation	
Timer Q (TMQ0, TMQ1)		Stops operation	
Timer M (TMM0)		Operable when $f_{R/8}$ is selected as the count clock	Operable when $f_{R/8}$ or $f_{XT}$ is selected as the count clock
Watch timer		Operable when $f_x$ (divided BRG) is selected as the count clock	Operable
Watchdog timer 2		Operable	
Serial interface	CSIB0, CSIB1	Operable when the $\overline{SCKBn}$ input clock is selected as the count clock ( $n = 0, 1$ )	
	UARTA0 to UARTA2	Stops operation (but UARTA0 is operable when the ASCKA0 input clock is selected)	
A/D converter		Holds operation (conversion result held) <sup>Note</sup>	
Key interrupt function (KR)		Operable	
Port function		Retains status before IDLE1 mode was set	
Internal data		The CPU registers, statuses, data, and all other internal data such as the contents of the internal RAM are retained as they were before the IDLE1 mode was set.	

**Note** To realize low power consumption, stop the A/D converter before shifting to the IDLE1 mode.

## 17.5 IDLE2 Mode

### 17.5.1 Setting and operation status

The IDLE2 mode is set by setting the PSMR.PSM1 and PSMR.PSM0 bits to 10 and setting the PSC.STP bit to 1 in the normal operation mode.

In the IDLE2 mode, the clock oscillator continues operation but clock supply to the CPU, PLL, flash memory, and other on-chip peripheral functions stops.

As a result, program execution stops and the contents of the internal RAM before the IDLE2 mode was set are retained. The CPU, PLL, and other on-chip peripheral functions stop operating. However, the on-chip peripheral functions that can operate with the subclock or an external clock continue operating.

Table 17-7 shows the operating status in the IDLE2 mode.

The IDLE2 mode can reduce the power consumption more than the IDLE1 mode because it stops the operations of the on-chip peripheral functions, PLL, and flash memory. However, because the PLL and flash memory are stopped, a setup time for the PLL and flash memory is required when IDLE2 mode is released.

- Cautions 1. Insert five or more NOP instructions after the instruction that stores data in the PSC register to set the IDLE2 mode.**
- 2. If the IDLE2 mode is set while an unmasked interrupt request signal is being held pending, the IDLE2 mode is released immediately by the pending interrupt request.**

### 17.5.2 Releasing IDLE2 mode

The IDLE2 mode is released by a non-maskable interrupt request signal (NMI pin input, INTWDT2 signal), unmasked external interrupt request signal (INTP0 to INTP10 pin input), unmasked internal interrupt request signal from the peripheral functions operable in the IDLE2 mode, or reset signal (reset by  $\overline{\text{RESET}}$  pin input, WDT2RES signal, power-on clear circuit (POC), low-voltage detector (LVI), or clock monitor (CLM)). The PLL returns to the operating status it was in before the IDLE2 mode was set.

After the IDLE2 mode has been released, the normal operation mode is restored.

#### (1) Releasing IDLE2 mode by non-maskable interrupt request signal or unmasked maskable interrupt request signal

The IDLE2 mode is released by a non-maskable interrupt request signal or an unmasked maskable interrupt request signal, regardless of the priority of the interrupt request signal. If the IDLE2 mode is set in an interrupt servicing routine, however, an interrupt request signal that is issued later is processed as follows.

- Cautions 1. The interrupt request signal that is disabled by setting the PSC.NMI1M, PSC.NMI0M, and PSC.INTM bits to 1 becomes invalid and IDLE2 mode is not released.**
- 2. If eliminating digital noise is selected by using the NFC register and if the sampling clock is selected from  $f_{xx}/64$ ,  $f_{xx}/128$ ,  $f_{xx}/256$ ,  $f_{xx}/512$ , and  $f_{xx}/1024$ , the IDLE2 mode cannot be released by the interrupt request signal of the INTP3 pin. For details, see 15.6.2 (5) Noise elimination control register (NFC).**
- (a) If an interrupt request signal with a priority lower than that of the interrupt request currently being serviced is issued, the IDLE2 mode is released, but that interrupt request signal is not acknowledged. The interrupt request signal itself is retained.
- (b) If an interrupt request signal with a priority higher than that of the interrupt request currently being serviced is issued (including a non-maskable interrupt request signal), the IDLE2 mode is released and that interrupt request signal is acknowledged.

**Table 17-6. Operation After Releasing IDLE2 Mode by Interrupt Request Signal**

Release Source	Interrupt Enabled (EI) Status	Interrupt Disabled (DI) Status
Non-maskable interrupt request signal	Execution branches to the handler address after securing the prescribed setup time.	
Maskable interrupt request signal	Execution branches to the handler address or the next instruction is executed after securing the prescribed setup time.	The next instruction is executed after securing the prescribed setup time.

**(2) Releasing IDLE2 mode by reset**

The same operation as the normal reset operation is performed.

**Table 17-7. Operating Status in IDLE2 Mode**

Setting of IDLE2 Mode		Operating Status	
		When Subclock Is Not Used	When Subclock Is Used
Main clock oscillator		Oscillation enabled	
Subclock oscillator		–	Oscillation enabled
Internal oscillator		Oscillation enabled	
PLL		Stops operation	
CPU		Stops operation	
DMA		Stops operation	
Interrupt controller		Stops operation (but standby mode release is possible)	
Timer P (TMP0 to TMP3)		Stops operation	
Timer Q (TMQ0, TMQ1)		Stops operation	
Timer M (TMM0)		Operable when $f_{R/8}$ is selected as the count clock	Operable when $f_{R/8}$ or $f_{XT}$ is selected as the count clock
Watch timer		Operable when $f_x$ (divided BRG) is selected as the count clock	Operable
Watchdog timer 2		Operable	
Serial interface	CSIB0, CSIB1	Operable when the $\overline{SCKBn}$ input clock is selected as the count clock ( $n = 0, 1$ )	
	UARTA0 to UARTA2	Stops operation (but UARTA0 is operable when the ASCKA0 input clock is selected)	
A/D converter		Holds operation (conversion result held) <sup>Note</sup>	
Key interrupt function (KR)		Operable	
Port function		Retains status before IDLE2 mode was set	
Internal data		The CPU registers, statuses, data, and all other internal data such as the contents of the internal RAM are retained as they were before the IDLE2 mode was set.	

**Note** To realize low power consumption, stop the A/D converter before shifting to the IDLE2 mode.

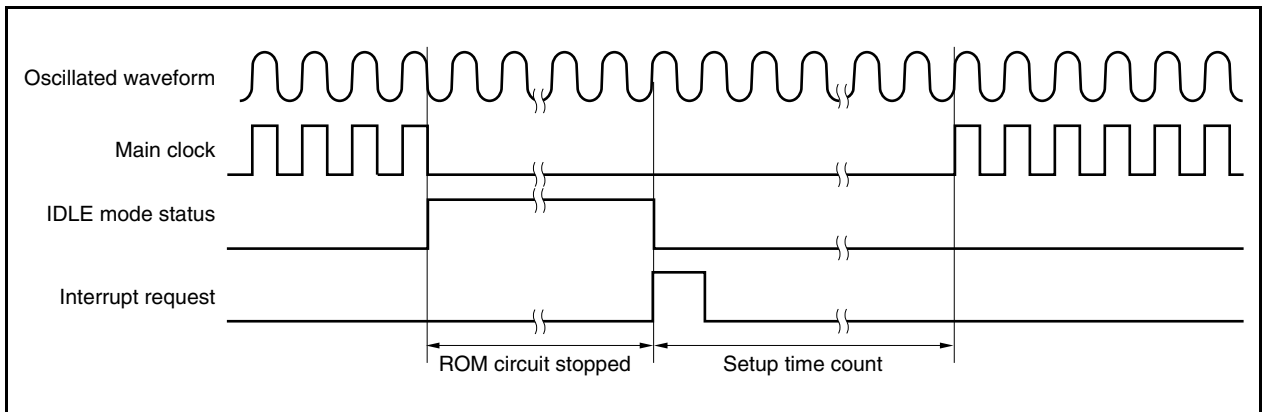
### 17.5.3 Securing setup time when releasing IDLE2 mode

Secure the setup time for the ROM (flash memory) after releasing the IDLE2 mode because the operation of the blocks other than the main clock oscillator stops after the IDLE2 mode is set.

#### (1) Releasing IDLE2 mode by non-maskable interrupt request signal or unmasked maskable interrupt request signal

Secure the specified setup time by setting the OSTS register.

When the releasing source is generated, the dedicated internal timer starts counting according to the OSTS register setting. When it overflows, the normal operation mode is restored.



#### (2) Release by reset ( $\overline{\text{RESET}}$ pin input, WDT2RES generation)

This operation is the same as that of a normal reset.

The oscillation stabilization time is the initial value of the OSTS register,  $2^{16}/f_x$ .

## 17.6 STOP Mode

### 17.6.1 Setting and operation status

The STOP mode is set by setting the PSMR.PSM1 and PSMR.PSM0 bits to 01 or 11 and setting the PSC.STP bit to 1 in the normal operation mode.

In the STOP mode, the subclock oscillator continues operating but the main clock oscillator stops. Clock supply to the CPU and the on-chip peripheral functions is stopped.

As a result, program execution stops, and the contents of the internal RAM before the STOP mode was set are retained. The on-chip peripheral functions that operate with the clock oscillated by the subclock oscillator or an external clock continue operating.

Table 17-9 shows the operating status in the STOP mode.

Because the STOP mode stops operation of the main clock oscillator, it reduces the power consumption to a level lower than the IDLE2 mode. If the subclock oscillator, internal oscillator, and external clock are not used, the power consumption can be minimized with only leakage current flowing.

- Cautions 1. Insert five or more NOP instructions after the instruction that stores data in the PSC register to set the STOP mode.**
- 2. If the STOP mode is set while an unmasked interrupt request signal is being held pending, the STOP mode is released immediately by the pending interrupt request.**

### 17.6.2 Releasing STOP mode

The STOP mode is released by a non-maskable interrupt request signal (NMI pin input, INTWDT2 signal), unmasked external interrupt request signal (INTP0 to INTP10 pin input), unmasked internal interrupt request signal from the peripheral functions operable in the STOP mode, or reset signal (reset by  $\overline{\text{RESET}}$  pin input, WDT2RES signal, power-on clear circuit (POC), or low-voltage detector (LVI)).

After the STOP mode has been released, the normal operation mode is restored after the oscillation stabilization time has been secured.

- Cautions 1. The interrupt request that is disabled by setting the PSC.NMI1M, PSC.NMI0M, and PSC.INTM bits to 1 becomes invalid and STOP mode is not released.**
- 2. If eliminating digital noise is selected by using the NFC register and if the sampling clock is selected from  $f_{xx}/64$ ,  $f_{xx}/128$ ,  $f_{xx}/256$ ,  $f_{xx}/512$ , and  $f_{xx}/1024$ , the STOP mode cannot be released by the interrupt request signal of the INTP3 pin. For details, see 15.6.2 (5) Noise elimination control register (NFC).**

#### (1) Releasing STOP mode by non-maskable interrupt request signal or unmasked maskable interrupt request signal

The STOP mode is released by a non-maskable interrupt request signal or an unmasked maskable interrupt request signal, regardless of the priority of the interrupt request signal. If the STOP mode is set in an interrupt servicing routine, however, an interrupt request signal that is issued later is serviced as follows.

- (a) If an interrupt request signal with a priority lower than that of the interrupt request currently being serviced is issued, the STOP mode is released, but that interrupt request signal is not acknowledged. The interrupt request signal itself is retained.
- (b) If an interrupt request signal with a priority higher than that of the interrupt request currently being serviced is issued (including a non-maskable interrupt request signal), the STOP mode is released and that interrupt request signal is acknowledged.



**Table 17-8. Operation After Releasing STOP Mode by Interrupt Request Signal**

Release Source	Interrupt Enabled (EI) Status	Interrupt Disabled (DI) Status
Non-maskable interrupt request signal	Execution branches to the handler address after securing the oscillation stabilization time.	
Maskable interrupt request signal	Execution branches to the handler address or the next instruction is executed after securing the oscillation stabilization time.	The next instruction is executed after securing the oscillation stabilization time.

**(2) Releasing STOP mode by reset**

The same operation as the normal reset operation is performed.

**Table 17-9. Operating Status in STOP Mode**

Setting of STOP Mode		Operating Status	
Item		When Subclock Is Not Used	When Subclock Is Used
Main clock oscillator		Stops oscillation	
Subclock oscillator		–	Oscillation enabled
Internal oscillator		Oscillation enabled	
PLL		Stops operation	
CPU		Stops operation	
DMA		Stops operation	
Interrupt controller		Stops operation (but standby mode release is possible)	
Timer P (TMP0 to TMP3)		Stops operation	
Timer Q (TMQ0, TMQ1)		Stops operation	
Timer M (TMM0)		Operable when $f_{R/8}$ is selected as the count clock	Operable when $f_{R/8}$ or $f_{XT}$ is selected as the count clock
Watch timer		Stops operation	Operable when $f_{XT}$ is selected as the count clock
Watchdog timer 2		Operable when $f_R$ is selected as the count clock	
Serial interface	CSIB0, CSIB1	Operable when the $\overline{SCKBn}$ input clock is selected as the count clock ( $n = 0, 1$ )	
	UARTA0 to UARTA2	Stops operation (but UARTA0 is operable when the ASCKA0 input clock is selected)	
A/D converter		Stops operation (conversion result undefined) <sup>Notes 1, 2</sup>	
Key interrupt function (KR)		Operable	
Port function		Retains status before STOP mode was set	
Internal data		The CPU registers, statuses, data, and all other internal data such as the contents of the internal RAM are retained as they were before the STOP mode was set.	

**Notes 1.** If the STOP mode is set while the A/D converter is operating, the A/D converter is automatically stopped and starts operating again after the STOP mode is released. However, in that case, the A/D conversion results after the STOP mode is released are invalid. All the A/D conversion results before the STOP mode is set are invalid.

**2.** Even if the STOP mode is set while the A/D converter is operating, the power consumption is reduced equivalently to when the A/D converter is stopped before the STOP mode is set.

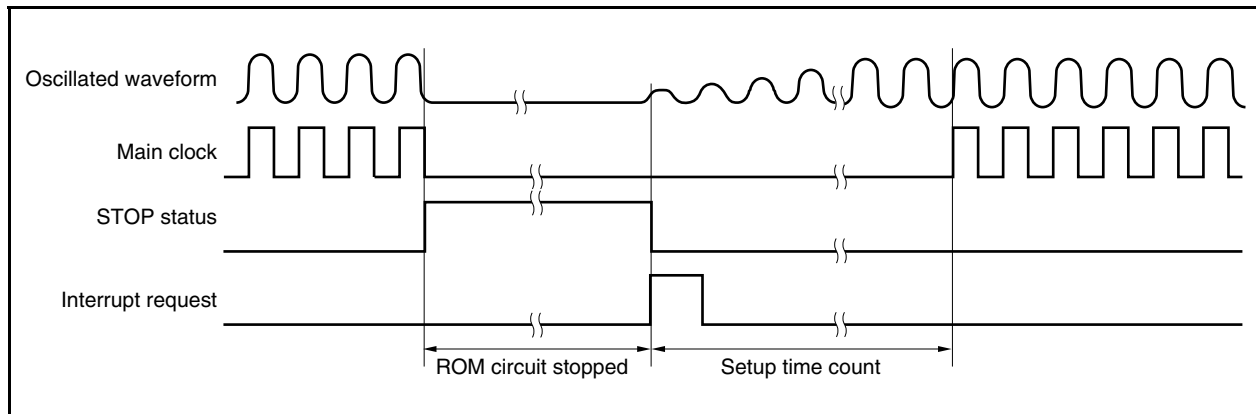
### 17.6.3 Securing oscillation stabilization time when releasing STOP mode

Secure the oscillation stabilization time for the main clock oscillator after releasing the STOP mode because the operation of the main clock oscillator stops after STOP mode is set.

#### (1) Releasing STOP mode by non-maskable interrupt request signal or unmasked maskable interrupt request signal

Secure the oscillation stabilization time by setting the OSTS register.

When the releasing source is generated, the dedicated internal timer starts counting according to the OSTS register setting. When it overflows, the normal operation mode is restored.



#### (2) Release by reset

This operation is the same as that of a normal reset.

The oscillation stabilization time is the initial value of the OSTS register,  $2^{16}/f_x$ .

## 17.7 Subclock Operation Mode

### 17.7.1 Setting and operation status

The subclock operation mode is set by setting the PCC.CK3 bit to 1 in the normal operation mode.

When the subclock operation mode is set, the internal system clock is changed from the main clock to the subclock. Check whether the clock has been switched by using the PCC.CLS bit.

When the PCC.MCK bit is set to 1, the operation of the main clock oscillator is stopped. As a result, the system operates only on the subclock.

In the subclock operation mode, the power consumption can be reduced to a level lower than in the normal operation mode because the subclock is used as the internal system clock. In addition, the power consumption can be further reduced to the level of the STOP mode by stopping the operation of the main clock oscillator.

Table 17-10 shows the operating status in subclock operation mode.

- Cautions**
1. When manipulating the CK3 bit, do not change the set values of the PCC.CK2 to PCC.CK0 bits (using a bit manipulation instruction to manipulate the bit is recommended). For details of the PCC register, see 5.3 (1) Processor clock control register (PCC).
  2. If the following conditions are not satisfied, change the CK2 to CK0 bits so that the conditions are satisfied and set the subclock operation mode.  
Internal system clock ( $f_{CLK}$ ) > Subclock ( $f_{XT} = 32.768 \text{ kHz}$ )  $\times 4$

**Remark** Internal system clock ( $f_{CLK}$ ): Clock generated from main clock ( $f_{XX}$ ) in accordance with the settings of the CK2 to CK0 bits

### 17.7.2 Releasing subclock operation mode

The subclock operation mode is released by a reset signal (reset by  $\overline{\text{RESET}}$  pin input, WDT2RES signal, power-on clear circuit (POC), low-voltage detector (LVI), or clock monitor (CLM)) when the CK3 bit is cleared to 0.

If the main clock is stopped (MCK bit = 1), set the MCK bit to 1, secure the oscillation stabilization time of the main clock by software, and clear the CK3 bit to 0.

The normal operation mode is restored when the subclock operation mode is released.

**Caution** When manipulating the CK3 bit, do not change the set values of the CK2 to CK0 bits (using a bit manipulation instruction to manipulate the bit is recommended).  
For details of the PCC register, see 5.3 (1) Processor clock control register (PCC).

Table 17-10. Operating Status in Subclock Operation Mode

Setting of Subclock Operation Mode Item		Operating Status	
		When Main Clock Is Oscillating	When Main Clock Is Stopped
Subclock oscillator		Oscillation enabled	
Internal oscillator		Oscillation enabled	
PLL		Operable	Stops operation <sup>Note</sup>
CPU		Operable	
DMA		Operable	
Interrupt controller		Operable	
Timer P (TMP0 to TMP3)		Operable	Stops operation
Timer Q (TMQ0, TMQ1)		Operable	Stops operation
Timer M (TMM0)		Operable	Operable when $f_{R/8}$ or $f_{XT}$ is selected as the count clock
Watch timer		Operable	Operable when $f_{XT}$ is selected as the count clock
Watchdog timer 2		Operable	Operable when $f_R$ is selected as the count clock
Serial interface	CSIB0, CSIB1	Operable	Operable when the $\overline{SCKBn}$ input clock is selected as the count clock ( $n = 0, 1$ )
	UARTA0 to UARTA2	Operable	Stops operation (but UARTA0 is operable when the ASCKA0 input clock is selected)
A/D converter		Operable	Stops operation
Key interrupt function (KR)		Operable	
Port function		Settable	
Internal data		Settable	

**Note** Be sure to stop the PLL (PLLCTL.PLLON = 0) before stopping the main clock.

**Caution** When the CPU is operating on the subclock and main clock oscillation is stopped, accessing a register in which a wait occurs is disabled. If a wait is generated, it can be released only by reset (see 3.4.8 (2)).

## 17.8 Sub-IDLE Mode

### 17.8.1 Setting and operation status

The sub-IDLE mode is set by setting the PSMR.PSM1 and PSMR.PSM0 bits to 00 or 10 and setting the PSC.STP bit to 1 in the subclock operation mode.

In this mode, the clock oscillator continues operating but clock supply to the CPU, flash memory, and the other on-chip peripheral functions is stopped.

As a result, program execution stops and the contents of the internal RAM before the sub-IDLE mode was set are retained. The CPU and the other on-chip peripheral functions are stopped. However, the on-chip peripheral functions that can operate with the subclock or an external clock continue operating.

Because the sub-IDLE mode stops operation of the CPU, flash memory, and other on-chip peripheral functions, it can reduce the power consumption more than the subclock operation mode. If the sub-IDLE mode is set after the main clock has been stopped, the current consumption can be reduced to a level as low as that in the STOP mode.

Table 17-12 shows the operating status in the sub-IDLE mode.

- Cautions**
- 1. Following the store instruction to set the PSC register to the sub-IDLE mode, insert five or more NOP instructions.**
  - 2. If the sub-IDLE mode is set while an unmasked interrupt request signal is being held pending, the sub-IDLE mode is then released immediately by the pending interrupt request.**

### 17.8.2 Releasing sub-IDLE mode

The sub-IDLE mode is released by a non-maskable interrupt request signal (NMI pin input, INTWDT2 signal), unmasked external interrupt request signal (INTP0 to INTP10 pin input), unmasked internal interrupt request signal from the peripheral functions operable in the sub-IDLE mode, or reset signal (reset by  $\overline{\text{RESET}}$  pin input, WDT2RES signal, power-on clear circuit (POC), low-voltage detector (LVI), or clock monitor (CLM)). The PLL returns to the operating status it was in before the sub-IDLE mode was set.

When the sub-IDLE mode is released by an interrupt request signal, the subclock operation mode is set.

#### (1) Releasing sub-IDLE mode by non-maskable interrupt request signal or unmasked maskable interrupt request signal

The sub-IDLE mode is released by a non-maskable interrupt request signal or an unmasked maskable interrupt request signal, regardless of the priority of the interrupt request signal.

If the sub-IDLE mode is set in an interrupt servicing routine, however, an interrupt request signal that is issued later is serviced as follows.

**Cautions 1. The interrupt request signal that is disabled by setting the PSC.NMI1M, PSC.NMI0M, and PSC.INTM bits to 1 becomes invalid and sub-IDLE mode is not released.**

**2. When the sub-IDLE mode is released, 12 cycles of the subclock (about 366  $\mu\text{s}$ ) elapse from when the interrupt request signal that releases the sub-IDLE mode is generated to when the mode is released.**

**3. If eliminating digital noise is selected by using the NFC register and if the sampling clock is selected from  $f_{xx}/64$ ,  $f_{xx}/128$ ,  $f_{xx}/256$ ,  $f_{xx}/512$ , and  $f_{xx}/1024$ , the sub-IDLE mode cannot be released by the interrupt request signal of the INTP3 pin. For details, see 15.6.2 (5) Noise elimination control register (NFC).**

(a) If an interrupt request signal with a priority lower than that of the interrupt request currently being serviced is issued, the sub-IDLE mode is released, but that interrupt request signal is not acknowledged. The interrupt request signal itself is retained.

(b) If an interrupt request signal with a priority higher than that of the interrupt request currently being serviced is issued (including a non-maskable interrupt request signal), the sub-IDLE mode is released and that interrupt request signal is acknowledged.

**Table 17-11. Operation After Releasing Sub-IDLE Mode by Interrupt Request Signal**

Release Source	Interrupt Enabled (EI) Status	Interrupt Disabled (DI) Status
Non-maskable interrupt request signal	Execution branches to the handler address.	
Maskable interrupt request signal	Execution branches to the handler address or the next instruction is executed.	The next instruction is executed.

**(2) Releasing sub-IDLE mode by reset**

The same operation as the normal reset operation is performed.

**Table 17-12. Operating Status in Sub-IDLE Mode**

Setting of Sub-IDLE Mode		Operating Status	
		When Main Clock Is Oscillating	When Main Clock Is Stopped
Subclock oscillator		Oscillation enabled	
Internal oscillator		Oscillation enabled	
PLL		Operable	Stops operation <sup>Note 1</sup>
CPU		Stops operation	
DMA		Stops operation	
Interrupt controller		Stops operation (but standby mode release is possible)	
Timer P (TMP0 to TMP3)		Stops operation	
Timer Q (TMQ0, TMQ1)		Stops operation	
Timer M (TMM0)		Operable when $f_{R/8}$ or $f_{XT}$ is selected as the count clock	
Watch timer		Stops operation	Operable when $f_{XT}$ is selected as the count clock
Watchdog timer 2		Operable when $f_{R}$ is selected as the count clock	
Serial interface	CSIB0, CSIB1	Operable when the $\overline{SCKBn}$ input clock is selected as the count clock ( $n = 0, 1$ )	
	UARTA0 to UARTA2	Stops operation (but UARTA0 is operable when the ASCKA0 input clock is selected)	
A/D converter		Holds operation (conversion result held) <sup>Note 2</sup>	
Key interrupt function (KR)		Operable	
Port function		Retains status before sub-IDLE mode was set	
Internal data		The CPU registers, statuses, data, and all other internal data such as the contents of the internal RAM are retained as they were before the sub-IDLE mode was set.	

**Notes 1.** Be sure to stop the PLL (PLLCTL.PLLON bit = 0) before stopping the main clock.

**2.** To realize low power consumption, stop the A/D converter before shifting to the sub-IDLE mode.

## CHAPTER 18 RESET FUNCTIONS

### 18.1 Overview

The following reset functions are available.

(1) Four kinds of reset sources

- External reset input via the  $\overline{\text{RESET}}$  pin
- Reset via the watchdog timer 2 (WDT2) overflow (WDT2RES)
- System reset via the comparison of the low-voltage detector (LVI) supply voltage and detected voltage
- System reset via the detecting clock monitor (CLM) oscillation stop
- System reset via the power-on clear circuit

After a reset is released, the source of the reset can be confirmed with the reset source flag register (RESF).

(2) Emergency operation mode

If the WDT2 overflows during the main clock oscillation stabilization time inserted after reset, a main clock oscillation anomaly is judged and the CPU starts operating on the internal oscillation clock.

**Caution** When the CPU is being operated with the internal oscillation clock, access to the register in which a wait state is generated is prohibited. For the register in which a wait state is generated, see 3.4.8 (2) Accessing specific on-chip peripheral I/O registers.



## 18.2 Registers to Check Reset Source

The V850ES/HG2 has four kinds of reset sources. After a reset has been released, the source of the reset that occurred can be checked with the reset source flag register (RESF).

### (1) Reset source flag register (RESF)

The RESF register is a special register that can be written only by a combination of specific sequences (see **3.4.7 Special registers**).

The RESF register indicates the source from which a reset signal is generated.

This register is read or written in 8-bit or 1-bit units.

$\overline{\text{RESET}}$  pin input or POC reset sets this register to 00H. The default value differs if the source of reset is other than the  $\overline{\text{RESET}}$  pin signal.

After reset: 00H<sup>Note</sup> R/W Address: FFFFF888H

	7	6	5	4	3	2	1	0
RESF	0	0	0	WDT2RF	0	0	CLMRF	LVIRF

WDT2RF	Reset signal from WDT2
0	Not generated
1	Generated

CLMRF	Reset signal from CLM
0	Not generated
1	Generated

LVIRF	Reset signal from LVI
0	Not generated
1	Generated

**Note** The value of the RESF register is cleared to 00H when a reset is executed via the  $\overline{\text{RESET}}$  pin. When a reset is executed by watchdog timer 2 (WDT2), low-voltage detector (LVI), or clock monitor (CLM), the reset flags of this register (WDT2RF bit, CLMRF bit, and LVIRF bit) are set. However, other sources are retained.

**Caution** Only “0” can be written to each bit of this register. If writing “0” conflicts with setting the flag (occurrence of reset), setting the flag takes precedence.

## 18.3 Operation

### 18.3.1 Reset operation via $\overline{\text{RESET}}$ pin

When a low level is input to the  $\overline{\text{RESET}}$  pin, the system is reset, and each hardware unit is initialized.

When the level of the  $\overline{\text{RESET}}$  pin is changed from low to high, the reset status is released.

**Table 18-1. Hardware Status on  $\overline{\text{RESET}}$  Pin Input**

Item	During Reset	After Reset
Main clock oscillator ( $f_x$ )	Oscillation stops	Oscillation starts
Subclock oscillator ( $f_{XT}$ )	Crystal oscillation	Oscillation continues
	RC oscillation	Oscillation stops
Internal oscillator	Oscillation stops	Oscillation starts
Peripheral clock ( $f_x$ to $f_x/1,024$ )	Operation stops	Operation starts after securing oscillation stabilization time
Internal system clock ( $f_{CLK}$ ), CPU clock ( $f_{CPU}$ )	Operation stops	Operation starts after securing oscillation stabilization time (initialized to $f_x/8$ )
CPU	Initialized	Program execution starts after securing oscillation stabilization time
Watchdog timer 2	Operation stops (initialized to 0)	Operation starts
Internal RAM	Undefined if power-on reset or CPU access and reset input conflict (data is damaged). Otherwise value immediately after reset input is retained <sup>Note 1</sup> .	
I/O lines (ports/alternate-function pins)	High impedance <sup>Note 2</sup>	
On-chip peripheral I/O registers	Initialized to specified status, OCDM register is set (01H).	
Other on-chip peripheral functions	Operation stops	Operation can be started after securing oscillation stabilization time

**Notes 1.** The firmware of the V850ES/HG2 uses a part of the internal RAM after the internal system reset status has been released because it supports a boot swap function. Therefore, the contents of some RAM areas (RAM size: 12 KB (3FFC000H to 3FFC095H)) are not retained after power-on reset.

**2.** When the power is turned on, the following pin may output an undefined level temporarily even during reset.

- P53/KR3/TIQ00/TOQ00/DDO pin

**Caution** The OCDM register is initialized by the  $\overline{\text{RESET}}$  pin input. Therefore, note with caution that, if a high level is input to the P05/ $\overline{\text{DRST}}$  pin after a reset release before the OCDM.OCDM0 bit is cleared, the on-chip debug mode is entered. For details, see CHAPTER 4 PORT FUNCTIONS.

Figure 18-1. Timing of Reset Operation by  $\overline{\text{RESET}}$  Pin Input

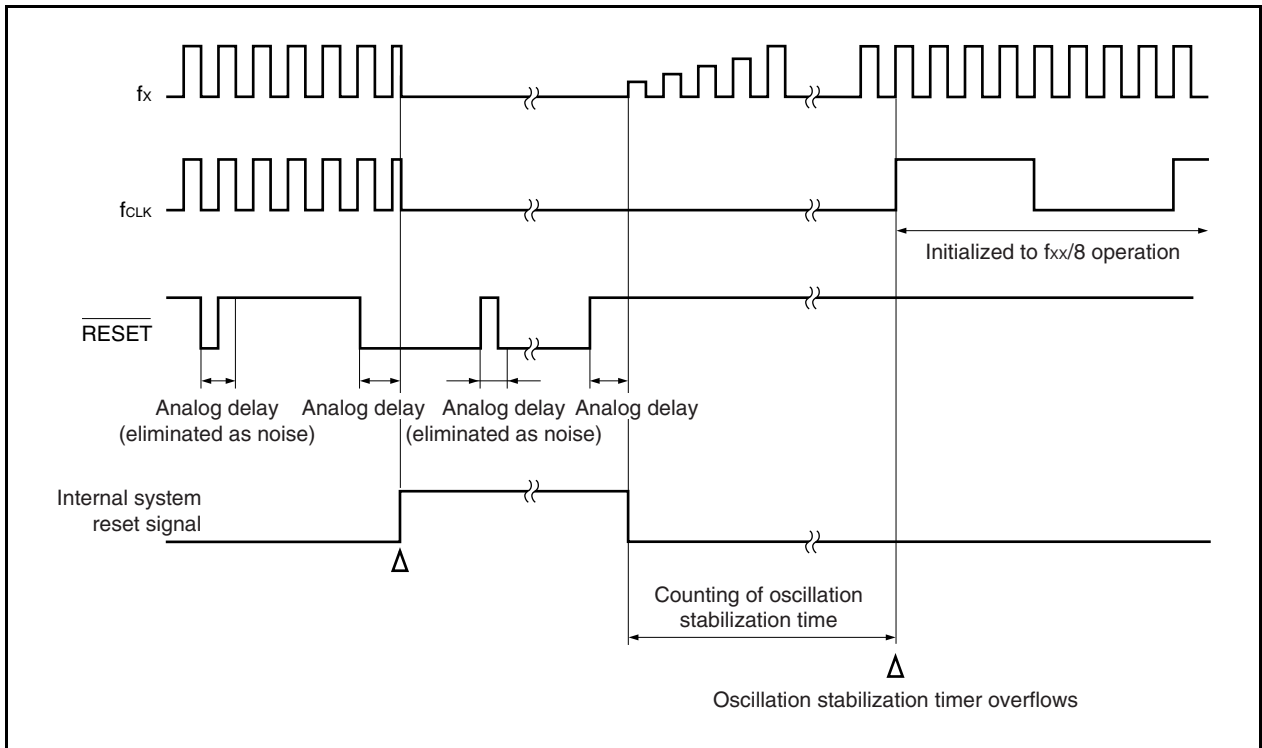
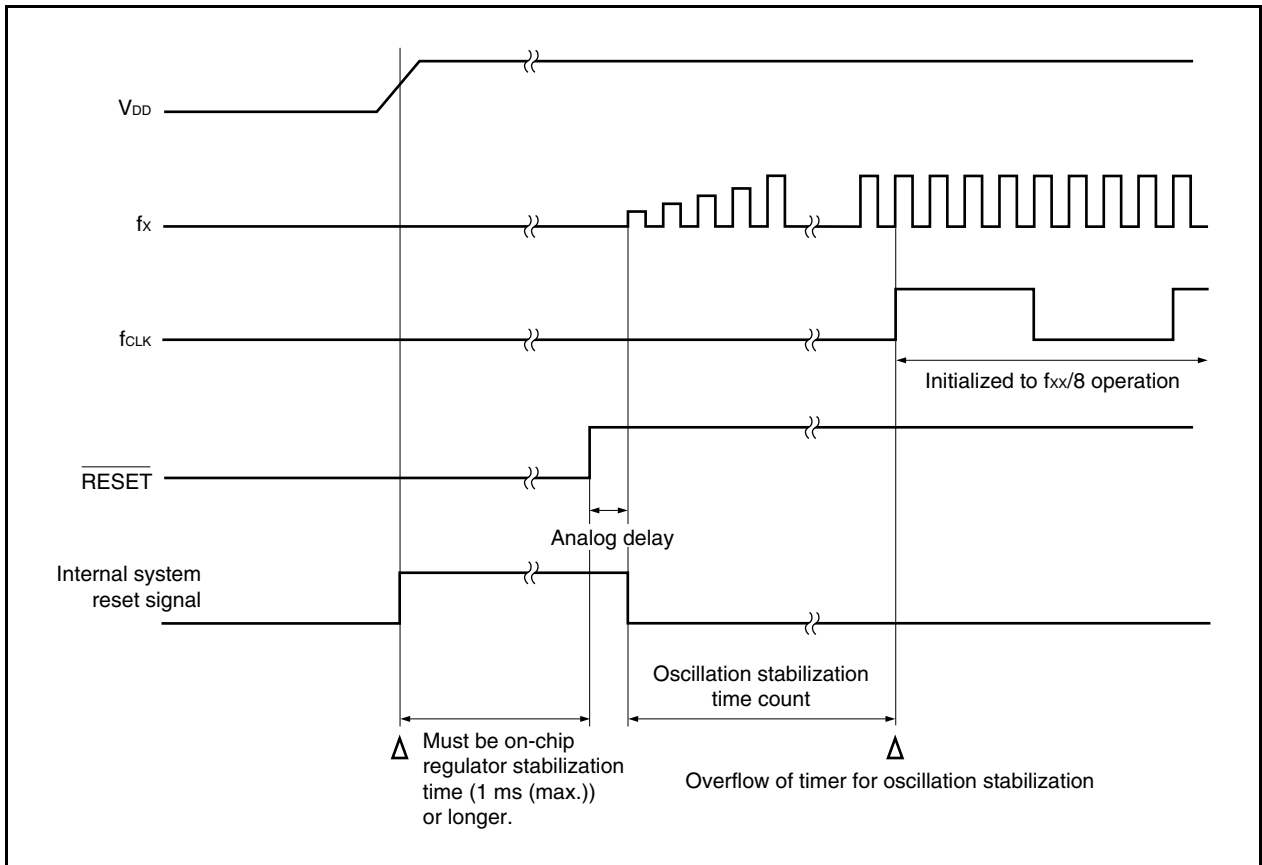


Figure 18-2. Timing of Power-on Reset Operation



### 18.3.2 Reset operation by watchdog timer 2

When watchdog timer 2 is set to the reset operation mode due to overflow, upon watchdog timer 2 overflow (WDT2RES signal generation), a system reset is executed and the hardware is initialized to the initial status.

Following watchdog timer 2 overflow, the reset status is entered and lasts the predetermined time (analog delay), and the reset status is then automatically released.

The main clock oscillator is stopped during the reset period.

**Table 18-2. Hardware Status During Watchdog Timer 2 Reset Operation**

Item		During Reset	After Reset
Main clock oscillator ( $f_x$ )		Oscillation stops	Oscillation starts
Subclock oscillator ( $f_{XT}$ )	Crystal oscillation	Oscillation continues	
	RC oscillation	Oscillation stops	Oscillation starts
Internal oscillator		Oscillation stops	Oscillation starts
Peripheral clock ( $f_{xx}$ to $f_{xx}/1,024$ )		Operation stops	Operation starts after securing oscillation stabilization time
Internal system clock ( $f_{xx}$ ), CPU clock ( $f_{CPU}$ )		Operation stops	Operation starts after securing oscillation stabilization time (initialized to $f_{xx}/8$ )
CPU		Initialized	Program execution after securing oscillation stabilization time
Watchdog timer 2		Operation stops (initialized to 0)	Operation starts
Internal RAM		Undefined if power-on reset or CPU access and reset input conflict (data is damaged). Otherwise value immediately after reset input is retained <sup>Note</sup> .	
I/O lines (ports/alternate-function pins)		High impedance	
On-chip peripheral I/O register		Initialized to specified status, OCDM register retains its value.	
On-chip peripheral functions other than above		Operation stops	Operation can be started after securing oscillation stabilization time.

**Note** The firmware of the V850ES/HG2 uses a part of the internal RAM after the internal system reset status has been released because it supports a boot swap function. Therefore, the contents of some RAM areas (RAM size: 12 KB (3FFC000H to 3FFC095H)) are not retained after power-on reset.

### 18.3.3 Reset operation by power-on clear circuit

The supply voltage and detection voltage are compared when the power-on clear operation is enabled. If the supply voltage drops below the detection voltage (including when power is applied), the system is reset and each hardware unit is initialized to the default status.

The reset status lasts since the voltage drop has been detected until the supply voltage rises above the detection voltage, and then is automatically cleared. After the reset status is cleared, time to stabilize oscillation of the main clock oscillator (default value of OSTS register:  $2^{16}/f_x$ ) elapses, and then the CPU starts program execution. For details, see **CHAPTER 20 POWER-ON CLEAR CIRCUIT**.

### 18.3.4 Reset operation by low-voltage detector

When LVI operation is enabled and when the LVIM.LVIMD bit is set to "1", the supply voltage and detection voltage are compared. If the supply voltage drops below the detection voltage, the system is reset and each hardware unit is initialized to the default status.

The reset status lasts from detection of the voltage drop until the supply voltage rises above the detection voltage, and then is automatically cleared. After the reset status is cleared, time to stabilize oscillation of the main clock oscillator (default value of OSTS register:  $2^{16}/f_x$ ) elapses, and then the CPU starts program execution.

For details, see **CHAPTER 21 LOW-VOLTAGE DETECTOR**.

### 18.3.5 Reset operation by clock monitor

When the clock monitor operation is enabled, the main clock is monitored by using the sampling clock (internal oscillator). If stoppage of the main clock is detected, the system is reset and each hardware unit is initialized to the default status.

For details, see **CHAPTER 19 CLOCK MONITOR**.

## CHAPTER 19 CLOCK MONITOR

### 19.1 Functions

The clock monitor samples the main clock by using the internal oscillation clock and generates a reset request signal when oscillation of the main clock is stopped.

Once the operation of the clock monitor has been enabled by an operation enable flag, it cannot be cleared to 0 by any means other than reset.

When a reset by the clock monitor occurs, the RESF.CLMRF bit is set. For details on the RESF register, see **18.2 Registers to Check Reset Source**.

The clock monitor automatically stops under the following conditions.

- During oscillation stabilization time after STOP mode is released
- When the main clock is stopped (from when the PCC.MCK bit = 1 during subclock operation, until the PCC.CLS bit = 0 during main clock operation)
- When the sampling clock (internal oscillation clock) is stopped
- When the CPU operates with the internal oscillation clock

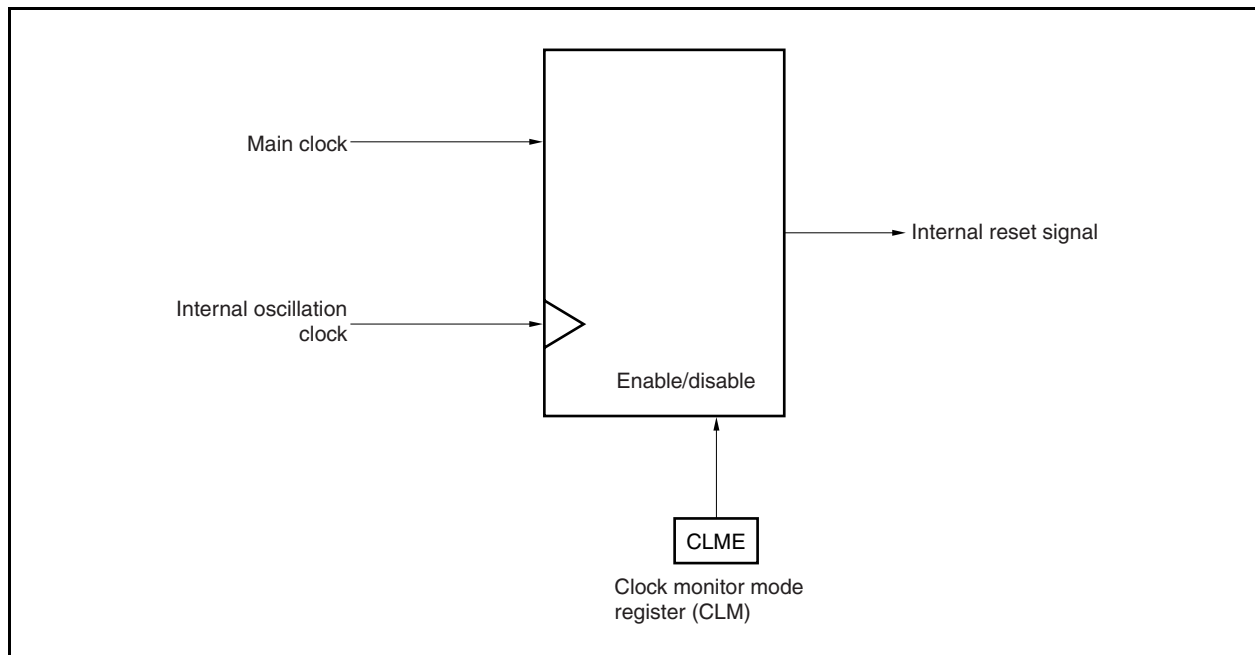
### 19.2 Configuration

The clock monitor includes the following hardware.

**Table 19-1. Configuration of Clock Monitor**

Item	Configuration
Control register	Clock monitor mode register (CLM)

**Figure 19-1. Block Diagram of Clock Monitor**



### 19.3 Register

The clock monitor is controlled by the clock monitor mode register (CLM).

#### (1) Clock monitor mode register (CLM)

The CLM register is a special register. This can be written only in a special combination of sequences (see **3.4.7 Special registers**).

This register is used to set the operation mode of the clock monitor.

This register can be read or written in 8-bit or 1-bit units.

Reset sets this register to 00H.

	After reset: 00H	R/W	Address: FFFFF870H					
	7	6	5	4	3	2	1	0
CLM	0	0	0	0	0	0	0	CLME
	CLME	Clock monitor operation enable or disable						
	0	Disable clock monitor operation.						
	1	Enable clock monitor operation.						

- Cautions**
1. Once the CLME bit has been set to 1, it cannot be cleared to 0 by any means other than reset.
  2. When a reset by the clock monitor occurs, the CLME bit is cleared to 0 and the RESF.CLMRF bit is set to 1.

## 19.4 Operation

This section explains the functions of the clock monitor. The start and stop conditions are as follows.

### <Start condition>

Enabling operation by setting the CLM.CLME bit to 1

### <Stop conditions>

- While oscillation stabilization time is being counted after STOP mode is released
- When the main clock is stopped (from when PCC.MCK bit = 1 during subclock operation to when PCC.CLS bit = 0 during main clock operation)
- When the sampling clock (internal oscillation clock) is stopped
- When the CPU operates using the internal oscillation clock

**Table 19-2. Operation Status of Clock Monitor  
(When CLM.CLME Bit = 1, During Internal Oscillation Clock Operation)**

CPU Operating Clock	Operation Mode	Status of Main Clock	Status of Internal Oscillation Clock	Status of Clock Monitor
Main clock	HALT mode	Oscillates	Oscillates <sup>Note 1</sup>	Operates <sup>Note 2</sup>
	IDLE1, IDLE2 modes	Oscillates	Oscillates <sup>Note 1</sup>	Operates <sup>Note 2</sup>
	STOP mode	Stops	Oscillates <sup>Note 1</sup>	Stops
Subclock (MCK bit of PCC register = 0)	Sub-IDLE mode	Oscillates	Oscillates <sup>Note 1</sup>	Operates <sup>Note 2</sup>
Subclock (MCK bit of PCC register = 1)	Sub-IDLE mode	Stops	Oscillates <sup>Note 1</sup>	Stops
Internal oscillation clock	–	Stops	Oscillates <sup>Note 1</sup>	Stops
During reset	–	Stops	Stops	Stops

**Notes 1.** The internal oscillator can be stopped by using the option byte function (see **CHAPTER 24**) to enable the internal oscillator to stop, and setting the RCM.RSTOP bit to 1.

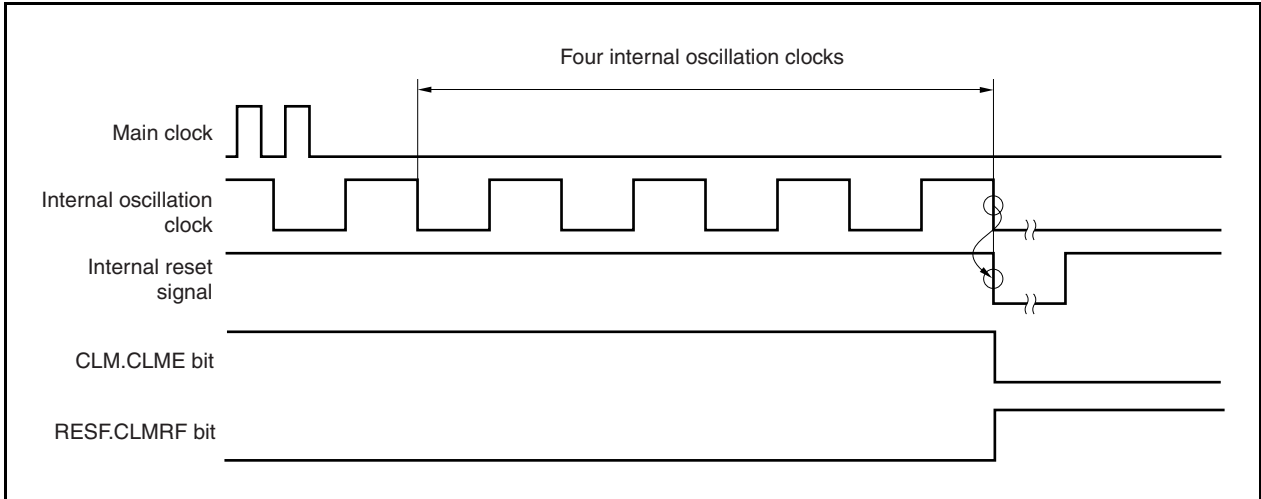
**2.** The clock monitor is stopped while the internal oscillator is stopped.



**(1) Operation when main clock oscillation is stopped (CLME bit = 1)**

If oscillation of the main clock is stopped when the CLME bit = 1, an internal reset signal is generated as shown in Figure 19-2.

**Figure 19-2. Reset Period Due to That Oscillation of Main Clock Is Stopped**

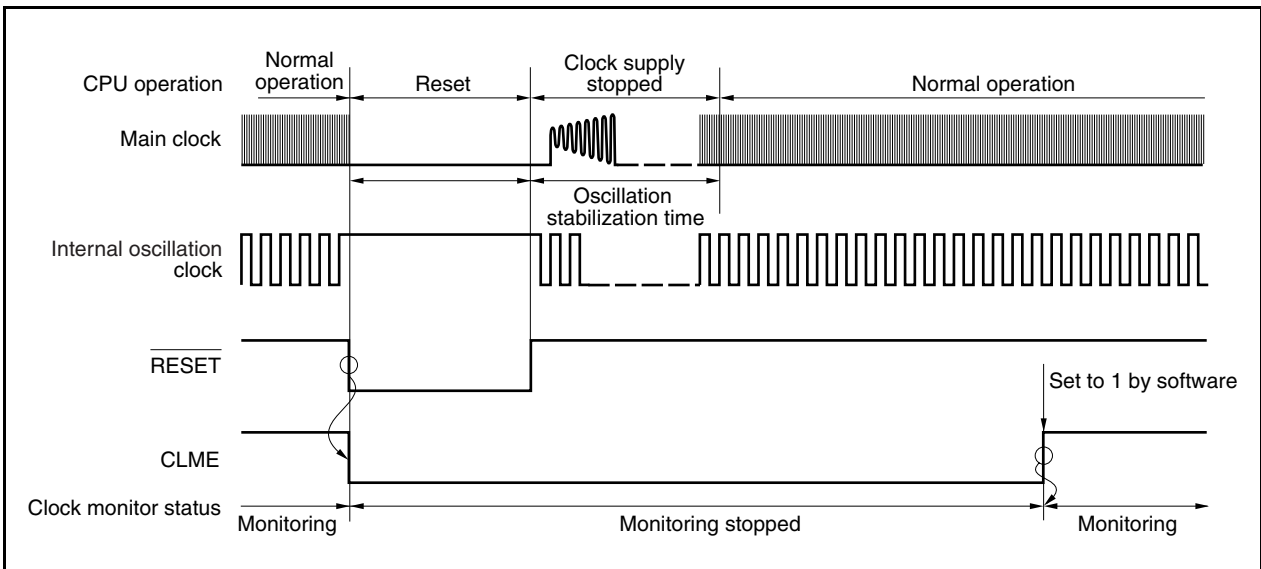


**(2) Clock monitor status after  $\overline{\text{RESET}}$  input**

$\overline{\text{RESET}}$  input clears the CLM.CLME bit to 0 and stops the clock monitor operation. When CLME bit is set to 1 by software at the end of the oscillation stabilization time of the main clock, monitoring is started.

**Figure 19-3. Clock Monitor Status After  $\overline{\text{RESET}}$  Input**

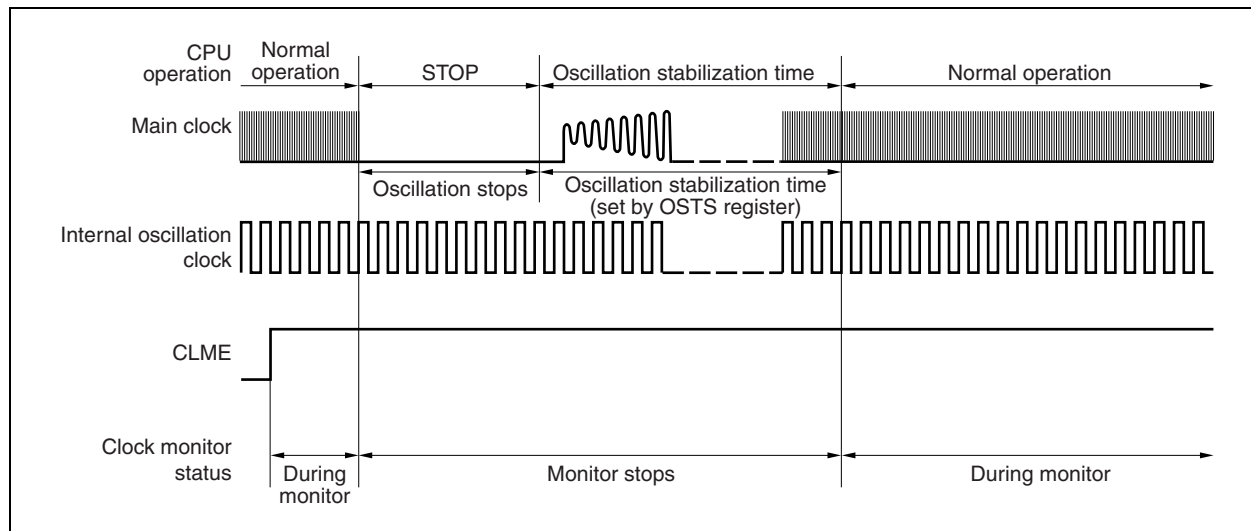
**(CLM.CLME bit = 1 is set after  $\overline{\text{RESET}}$  input and at the end of main clock oscillation stabilization time)**



**(3) Operation in STOP mode or after STOP mode is released**

If the STOP mode is set with the CLM.CLME bit = 1, the monitor operation is stopped in the STOP mode and while the oscillation stabilization time is being counted. After the oscillation stabilization time, the monitor operation is automatically started.

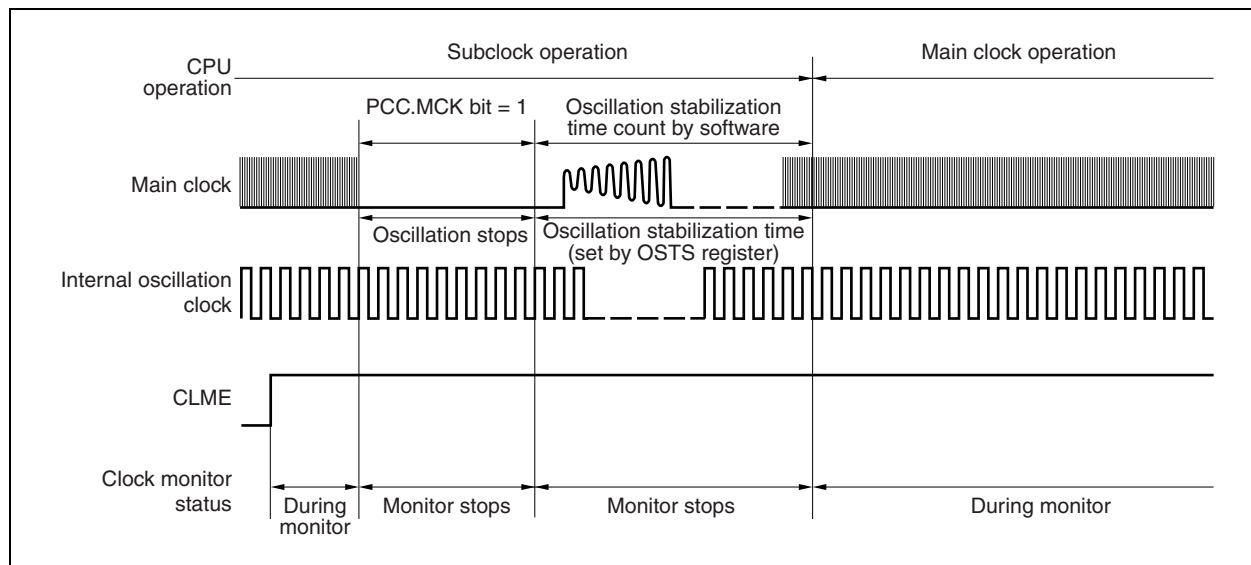
**Figure 19-4. Operation in STOP Mode or After STOP Mode Is Released**



**(4) Operation when main clock is stopped (arbitrary)**

During subclock operation (PCC.CLS bit = 1) or when the main clock is stopped by setting the PCC.MCK bit to 1, the monitor operation is stopped until the main clock operation is started (PCC.CLS bit = 0). The monitor operation is automatically started when the main clock operation is started.

**Figure 19-5. Operation When Main Clock Is Stopped (Arbitrary)**



**(5) Operation while CPU is operating on internal oscillation clock (CCLS.CCLS bit = 1)**

The monitor operation is not stopped when the CCLS bit is 1, even if the CLME bit is set to 1.

## CHAPTER 20 POWER-ON CLEAR CIRCUIT

### 20.1 Function

Functions of the power-on-clear (POC) circuit are shown below.

- Generates a reset signal upon power application.
- Compares the supply voltage ( $V_{DD}$ ) and detection voltage ( $V_{POC0}$ ), and generates a reset signal when  $V_{DD} < V_{POC0}$  (detection voltage ( $V_{POC0}$ ):  $3.7\text{ V} \pm 0.2\text{ V}$ ).

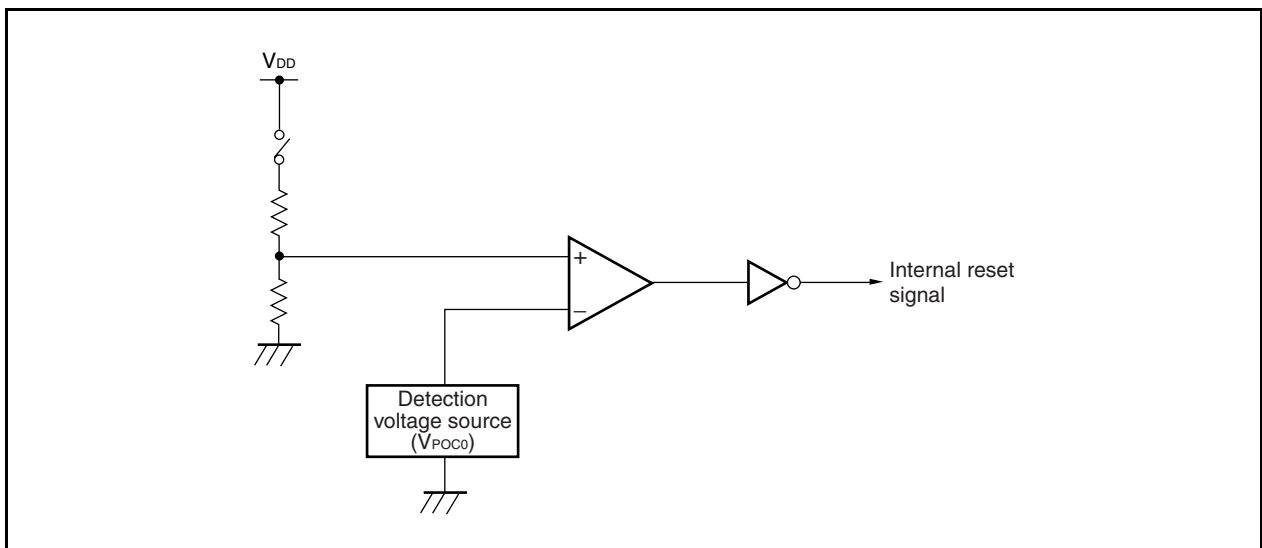
**Remarks 1.** The V850ES/HG2 has plural internal hardware units that generate an internal reset signal. When the system is reset by watchdog timer 2 (WDT2RES), low-voltage detector (LVI), or clock monitor (CLM), a flag corresponding to the reset source is allocated to the reset source flag register (RESF). The RESF register is not cleared when an internal reset signal is generated by WDT2RES, LVI, or clock monitor, and its flag corresponding to the reset source is set to 1. For details of the RESF register, see **CHAPTER 18 RESET FUNCTIONS**.

2. The time from power application to starting program execution is “Time from power application to releasing reset + 16 ms” if the operating frequency of a resonator externally connected is 5 MHz. However, it varies depending on the external cause (such as a status of supply voltage to the microcontroller and the stabilization time of the resonator).

### 20.2 Configuration

The block diagram is shown below.

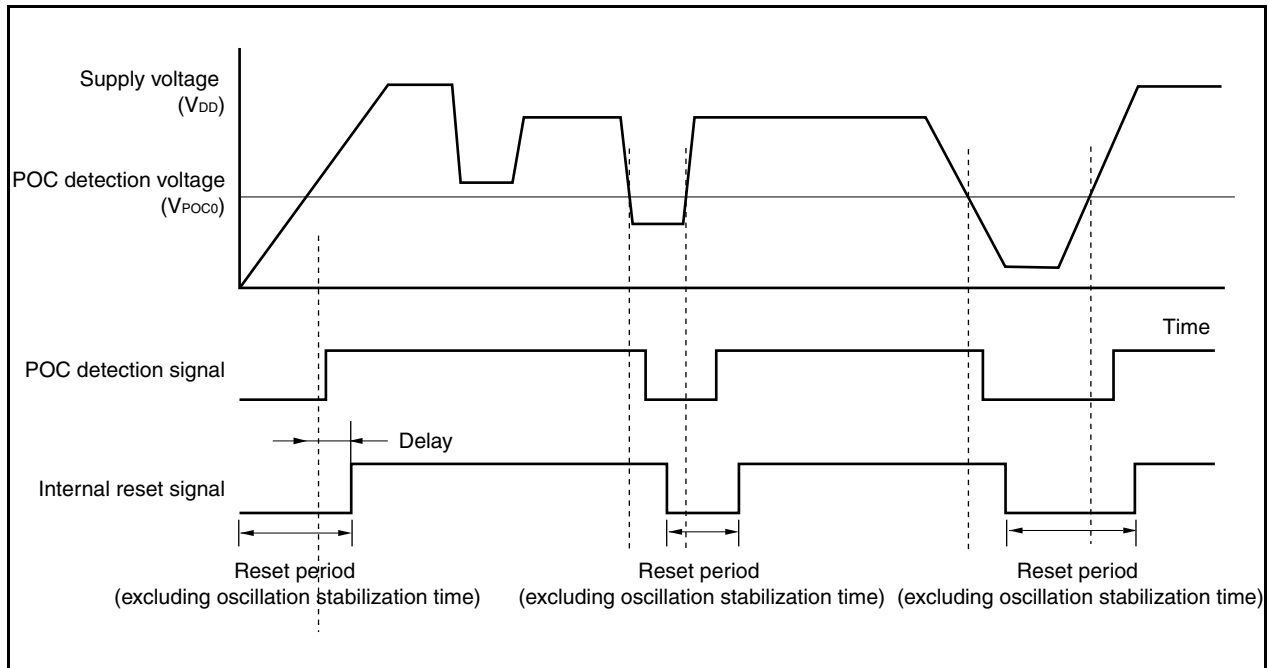
**Figure 20-1. Block Diagram of Power-on-Clear Circuit**



## 20.3 Operation

When the supply voltage and detection voltage are compared and if the supply voltage is lower than the detection voltage (including at power application), the system is reset and each hardware is returned to the specific status.

**Figure 20-2. Timing of Reset Signal Generation by Power-on-Clear Circuit**



## CHAPTER 21 LOW-VOLTAGE DETECTOR

### 21.1 Functions

The low-voltage detector (LVI) has the following functions.

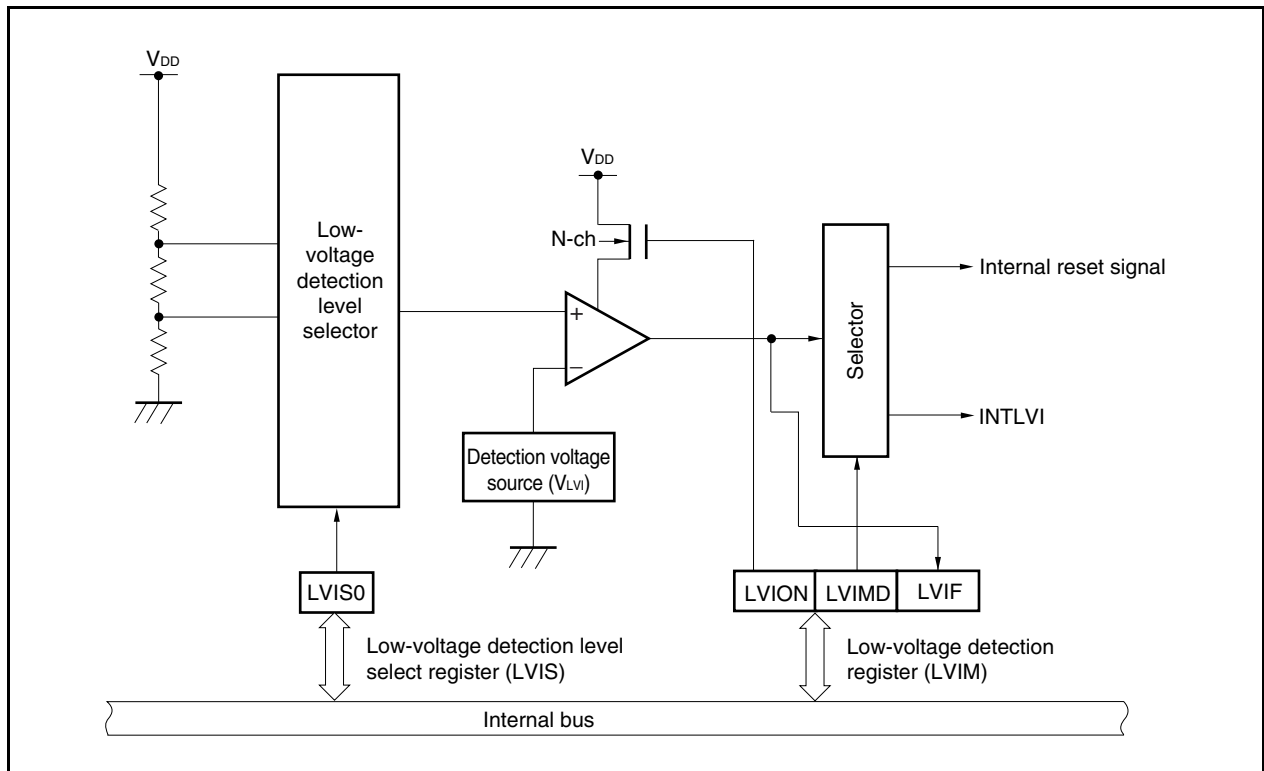
- Compares the supply voltage ( $V_{DD}$ ) and detection voltage ( $V_{LVI}$ ) and generates an interrupt request signal or internal reset signal when  $V_{DD} < V_{LVI}$ .
- The level of the supply voltage to be detected can be changed by software (in two steps).
- An interrupt request signal or internal reset signal can be selected.
- Can operate in STOP mode.
- Operation can be stopped by software.

If the low-voltage detector is used to generate a reset signal, the RESF.LVIRF bit is set to 1 when the reset signal is generated. For details of the RESF register, see **CHAPTER 18 RESET FUNCTIONS**.

### 21.2 Configuration

The block diagram is shown below.

**Figure 21-1. Block Diagram of Low-Voltage Detector**



## 21.3 Registers

### (1) Low-voltage detection register (LVIM)

The LVIM register is used to enable or disable low voltage detection, and to set the operation mode of the low-voltage detector. The LVIM register is a special register. It can be written only by a combination of specific sequences (see 3.4.7 Special registers).

This register can be read or written in 8-bit or 1-bit units. However, bit 0 is read-only.

After reset: 00H	R/W	Address: FFFFF890H							
		7	6	5	4	3	2	1	0
LVIM		LVION	0	0	0	0	0	LVIMD	LVIF
LVION	Low voltage detection operation enable or disable								
0	Disable operation.								
1	Enable operation.								
LVIMD	Selection of operation mode of low voltage detection								
0	Generate interrupt request signal INTLVI when supply voltage < detection voltage.								
1	Generate internal reset signal LVIRES when supply voltage < detection voltage.								
LVIF	Low voltage detection flag								
0	When supply voltage > detection voltage, or when operation is disabled								
1	Supply voltage < detection voltage								

- Cautions**
1. After setting the LVION bit to 1, wait for 0.2 ms (TYP.) (target value) before checking the voltage using the LVIF bit.
  2. The value of the LVIF flag is output as the output signal INTLVI when the LVION bit = 1 and LVIMD bit = 0.
  3. Be sure to clear bits 2 to 6 to "0".

**(2) Low-voltage detection level select register (LVIS)**

The LVIS register is used to select the level of low voltage to be detected.

This register can be read or written in 8-bit units.

After reset: 00H	R/W	Address: FFFFF891H							
		7	6	5	4	3	2	1	0
LVIS		0	0	0	0	0	0	0	LVIS0
	LVIS0	Detection level							
	0	4.4 V $\pm$ 0.2 V							
	1	4.2 V $\pm$ 0.2 V							

**Cautions** 1. This register cannot be written until a reset request due to something other than low-voltage detection is generated after the LVIM.LVION and LVIM.LVIMD bits are set to 1.

2. Be sure to clear bits 1 to 7 to "0".

**(3) Internal RAM data status register (RAMS)**

The RAMS register is a flag register that indicates whether the internal RAM is valid or not. The RAMS register is a special register. It can be written only by a combination of specific sequences (see 3.4.7 **Special registers**).

For the RAMS register, see 21.5 **RAM Retention Voltage Detection Operation**.

This register can be read or written in 8-bit or 1-bit units.

**Caution** The following shows the specific sequence after reset.

- **Setting conditions: Detection of voltage lower than detection level**
  - Set by instruction
  - Generation of reset signal by watchdog timer overflow
  - Generation of reset signal while RAM is being accessed
  - Generation of reset signal by clock monitor
- **Clearing condition: Writing of 0 in specific sequence**

After reset: 01H	R/W	Address: FFFFF892H							
		7	6	5	4	3	2	1	0
RAMS		0	0	0	0	0	0	0	RAMF
	RAMF	Internal RAM data valid/invalid							
	0	Valid							
	1	Invalid							

## 21.4 Operation

Depending on the setting of the LVIM.LVIMD bit, an interrupt request signal (INTLVI) or an internal reset signal is generated.

### 21.4.1 To use for internal reset signal

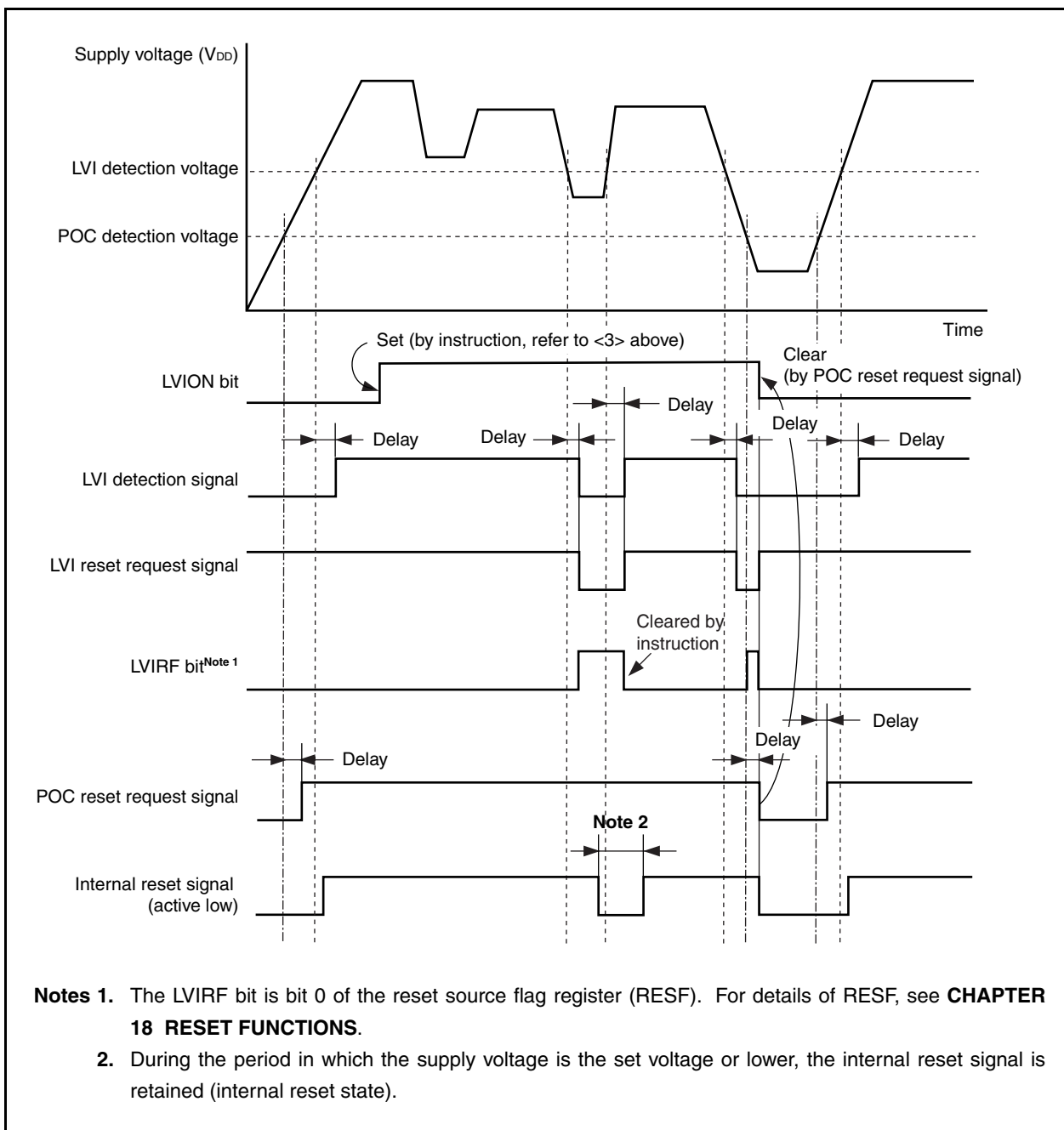
<To start operation>

- <1> Mask the interrupt of LVI.
- <2> Select the voltage to be detected by using the LVIS.LVIS0 bit.
- <3> Set the LVIM.LVION bit to 1 (to enable operation).
- <4> Insert a wait cycle of 0.2 ms MAX. by software.
- <5> By using the LVIM.LVIF bit, check if the supply voltage > detection voltage.
- <6> Set the LVIM.LVIMD bit to 1 (to generate an internal reset signal).

**Caution** If the LVIMD bit is set to 1, the contents of the LVIM and LVIS registers cannot be changed until a reset request other than LVI is generated.



Figure 21-2. Operation Timing of Low-Voltage Detector (LVIMD Bit = 1)



## 21.4.2 To use for interrupt

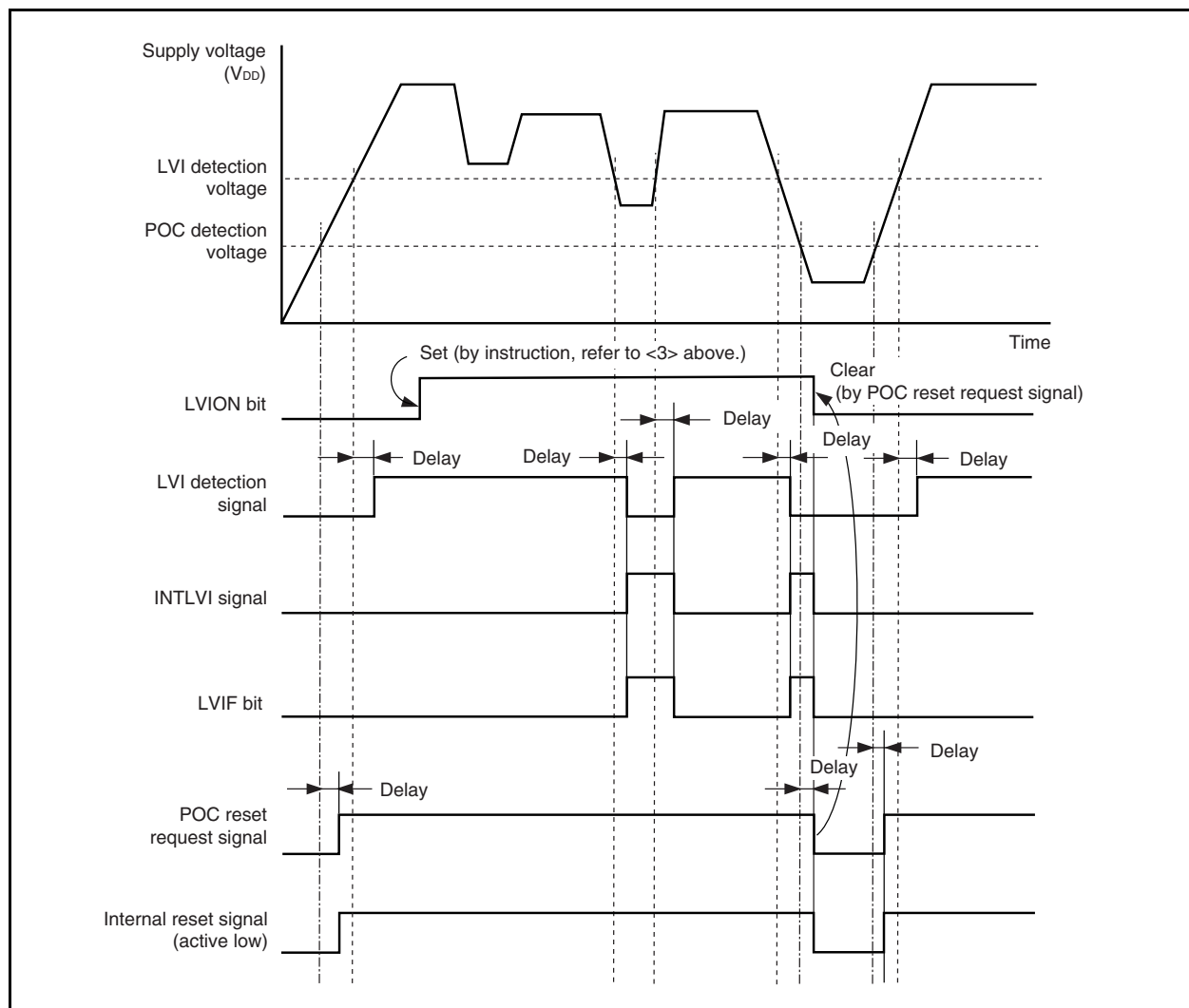
<To start operation>

- <1> Mask the interrupt of LVI.
- <2> Select the voltage to be detected by using the LVIS.LVIS0 bit.
- <3> Set the LVIM.LVION bit to 1 (to enable operation).
- <4> Insert a wait cycle of 0.2 ms MAX, by software.
- <5> By using the LVIM.LVIF bit, check if the supply voltage > detection voltage.
- <6> Clear the interrupt request flag of LVI.
- <7> Unmask the interrupt of LVI.

<To stop operation>

Clear the LVION bit to 0.

Figure 21-3. Operation Timing of Low-Voltage Detector (LVIM Bit = 0)

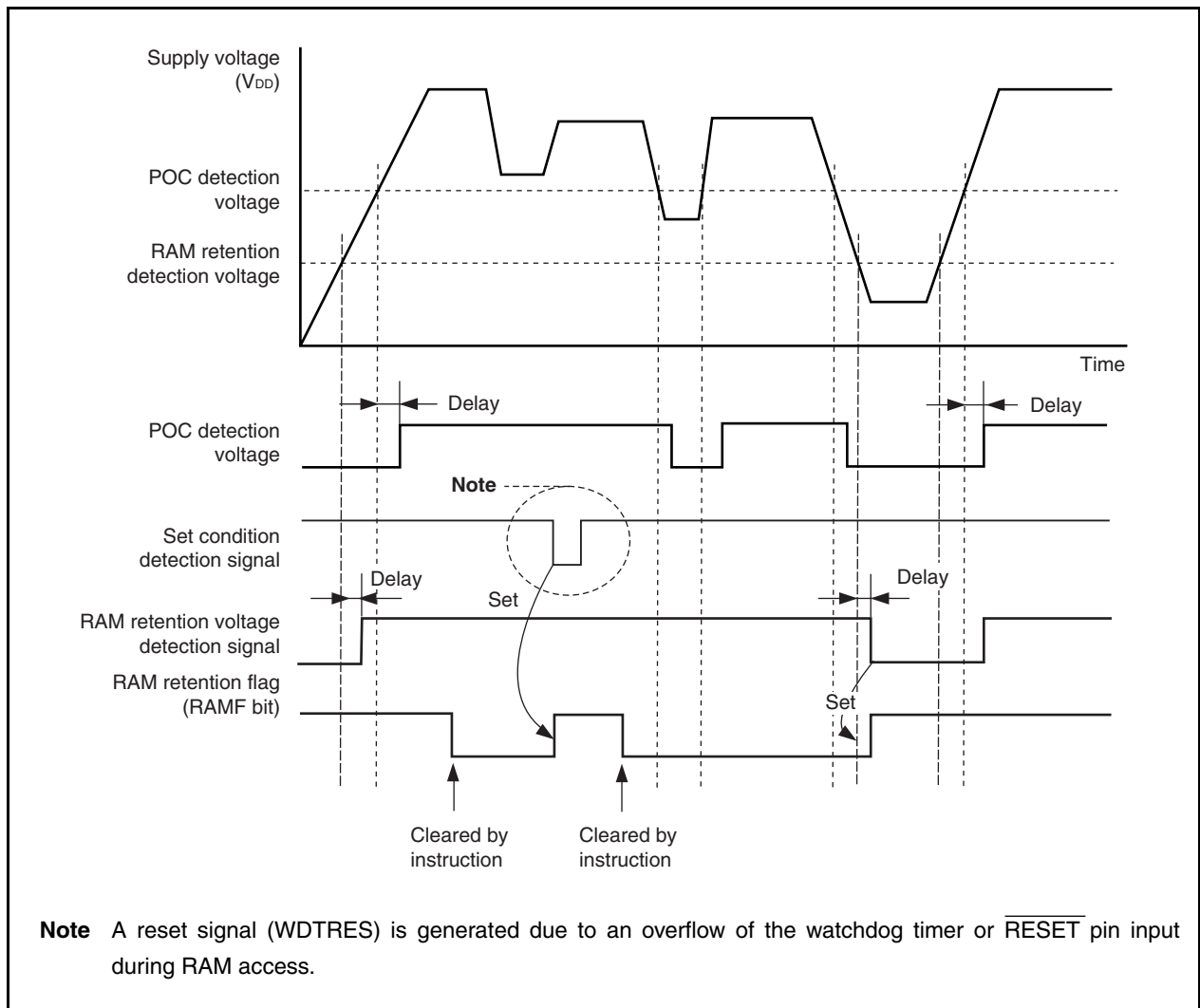


## 21.5 RAM Retention Voltage Detection Operation

The supply voltage and detection voltage are compared. When the supply voltage drops below the detection voltage (including on power application), the RAMS.RAMF bit is set (1).

When the POC function is not used and when the RAM retention voltage detection function is used, be sure to input an external reset signal if the detected voltage falls below the operating voltage.

**Figure 21-4. Operation Timing of RAM Retention Voltage Detection Function**



## 21.6 Emulation Function

When an in-circuit emulator is used, the operation of the RAM retention flag (RAMS.RAMF bit) can be pseudo-controlled and emulated by manipulating the PEMU1 register on the debugger.

This register is valid only in the emulation mode. It is invalid in the normal mode.

### (1) Peripheral emulation register 1 (PEMU1)

After reset: 00H	R/W	Address: FFFFF9FEH							
		7	6	5	4	3	2	1	0
PEMU1		0	0	0	0	0	EVARAMIN	0	0

EVARAMIN	Pseudo specification of RAM retention voltage detection signal
0	Do not detect voltage lower than RAM retention voltage.
1	Detect voltage lower than RAM retention voltage (set RAMF flag).

**Caution This bit is not automatically cleared.**

#### [Usage]

When an in-circuit emulator is used, pseudo emulation of RAMF is realized by rewriting this register on the debugger.

<1> CPU break (CPU operation stops.)

<2> Set the EVARAMIN bit to 1 by using a register write command.

By setting the EVARAMIN bit to 1, the RAMF bit is set to 1 on hardware (the internal RAM data is invalid).

<3> Clear the EVARAMIN bit to 0 by using a register write command again.

Unless this operation is performed (clearing the EVARAMIN bit to 0), the RAMF bit cannot be cleared to 0 by a CPU operation instruction.

<4> Run the CPU and resume emulation.

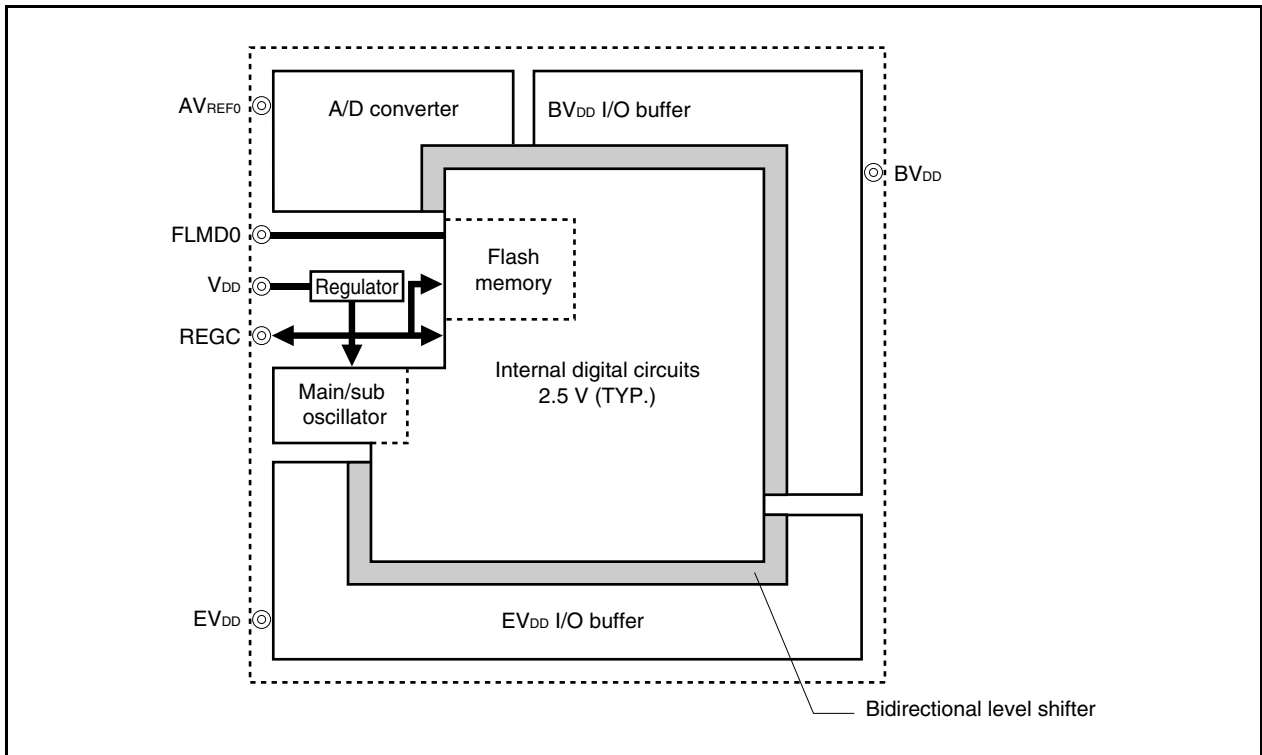
## CHAPTER 22 REGULATOR

### 22.1 Overview

The V850ES/HG2 includes a regulator to reduce power consumption and noise.

This regulator supplies a stepped-down  $V_{DD}$  power supply voltage to the oscillator block and internal logic circuits (except the A/D converter and output buffers). The regulator output voltage is set to 2.5 V (TYP.).

Figure 22-1. Regulator



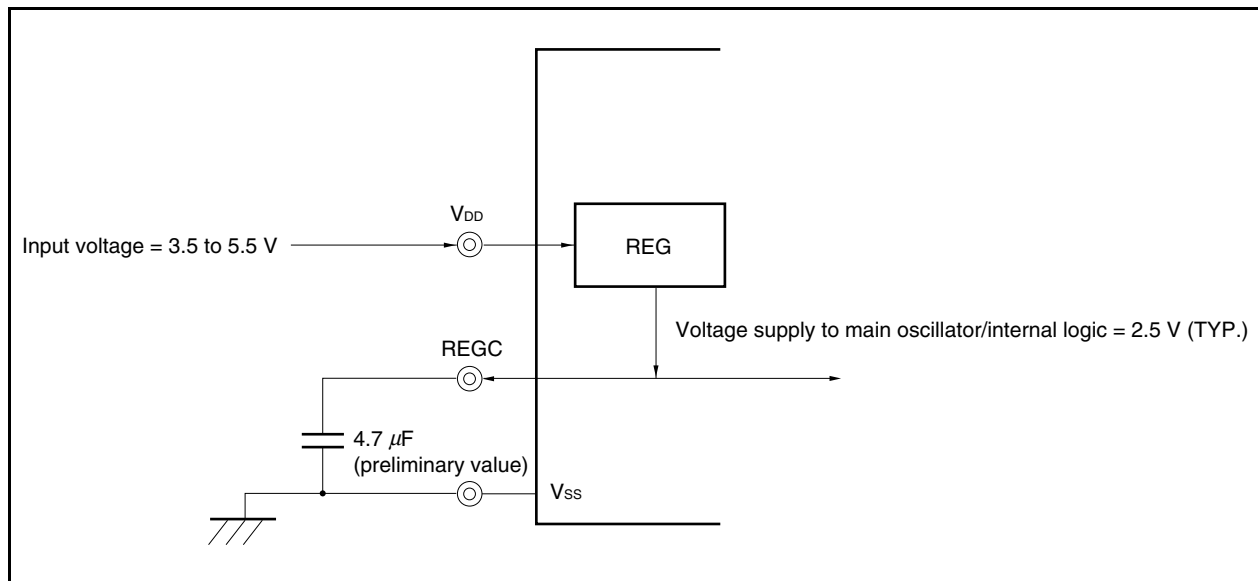
## 22.2 Operation

The regulator of this product always operates in any mode (normal operation mode, HALT mode, IDLE1 mode, IDLE2 mode, STOP mode, or during reset).

Be sure to connect a capacitor (4.7  $\mu\text{F}$  (preliminary value)) to the REGC pin to stabilize the regulator output.

A diagram of the regulator pin connection method is shown below.

Figure 22-2. REGC Pin Connection



## CHAPTER 23 FLASH MEMORY

The following can be considered as the development environment and mass production applications using flash memory versions.

- For altering software after the V850ES/HG2 is soldered onto the target system.
- For data adjustment when starting mass production.
- For differentiating software according to the specification in small scale production of various models.
- For facilitating inventory management.
- For updating software after shipment.

### 23.1 Features

- 4-byte/1-clock access (when instruction is fetched)
- Capacity: 256 KB/128 KB
- Write voltage: Erase/write with a single power supply
- Rewriting method
  - Rewriting by communication with dedicated flash programmer via serial interface (on-board/off-board programming)
  - Rewriting flash memory by user program (self programming)
- Flash memory write prohibit function supported (security function)
- Safe rewriting of entire flash memory area by self programming using boot swap function
- Interrupts can be acknowledged during self programming.

### 23.1.1 Erasure unit

The units in which the 256 or 128 KB flash memory can be erased are as follows.

#### (1) All-area erasure

The flash memory areas can be erased at the same time.

#### (2) Block erasure

The flash memory can be erased in block units<sup>Note</sup>.

Block 0: 56 KB

Block 1: 8 KB

Block 2: 56 KB

Block 3: 8 KB

Block 4: 56 KB

Block 5: 56 KB

Block 6: 8 KB

Block 7: 8 KB

**Note** 4 blocks, blocks 0 to 3, for the 128 KB version ( $\mu$ PD70F3706).

8 blocks, blocks 0 to 7, for the 256 KB version ( $\mu$ PD70F3707).



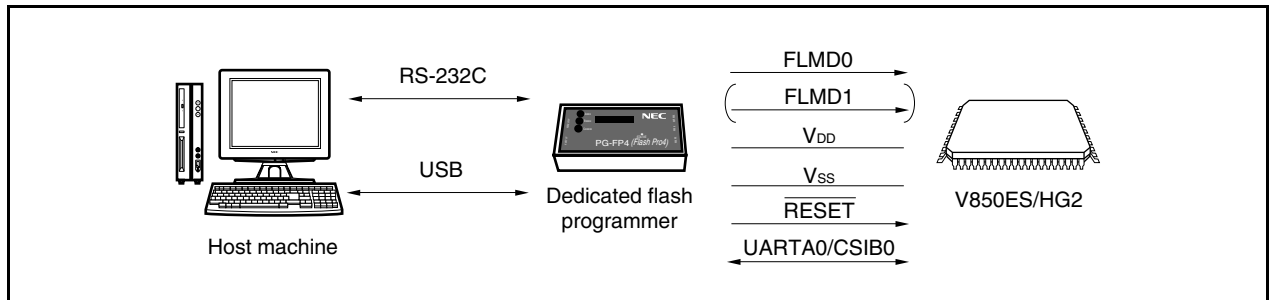
## 23.2 Rewriting by Dedicated Flash Programmer

The flash memory can be rewritten by using a dedicated flash programmer after the V850ES/HG2 is mounted on the target system (on-board programming). The flash memory can also be rewritten before the device is mounted on the target system (off-board programming) by using a dedicated program adapter (FA series).

### 23.2.1 Programming environment

The following shows the environment required for writing programs to the flash memory of the V850ES/HG2.

**Figure 23-1. Environment Required for Writing Programs to Flash Memory**



A host machine is required for controlling the dedicated flash programmer.

UARTA0 or CSIB0 is used for the interface between the dedicated flash programmer and the V850ES/HG2 to perform writing, erasing, etc. A dedicated program adapter (FA series) required for off-board writing.

**Remark** The FA series is a product of Naito Densai Machida Mfg. Co., Ltd.

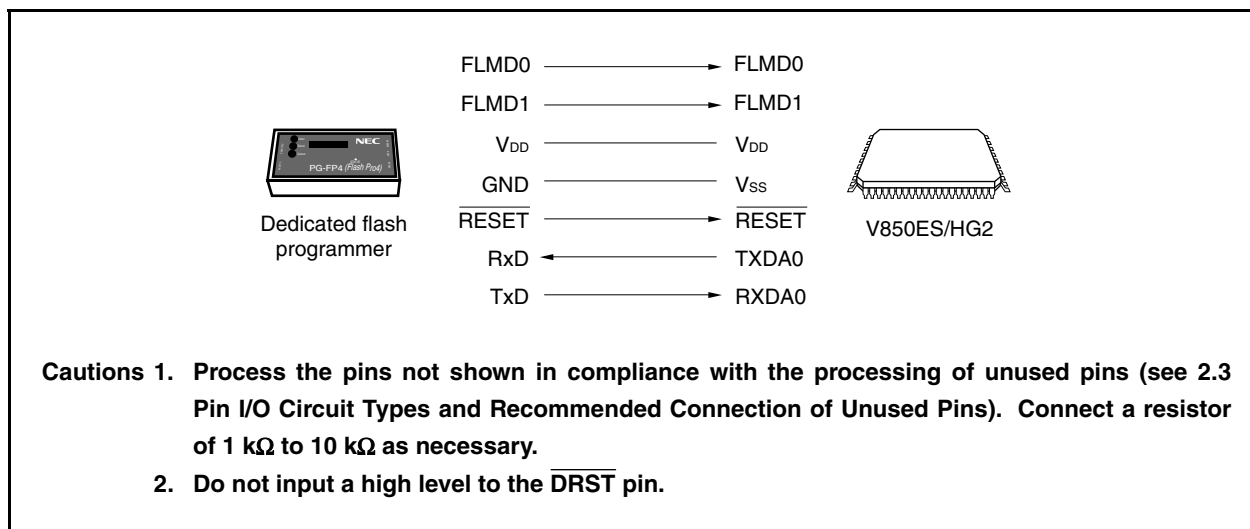
### 23.2.2 Communication mode

Communication between the dedicated flash programmer and the V850ES/HG2 is performed by serial communication using the UARTA0 or CSIB0 interfaces of the V850ES/HG2.

#### (1) UARTA0

Transfer rate: 9,600 to 153,600 bps

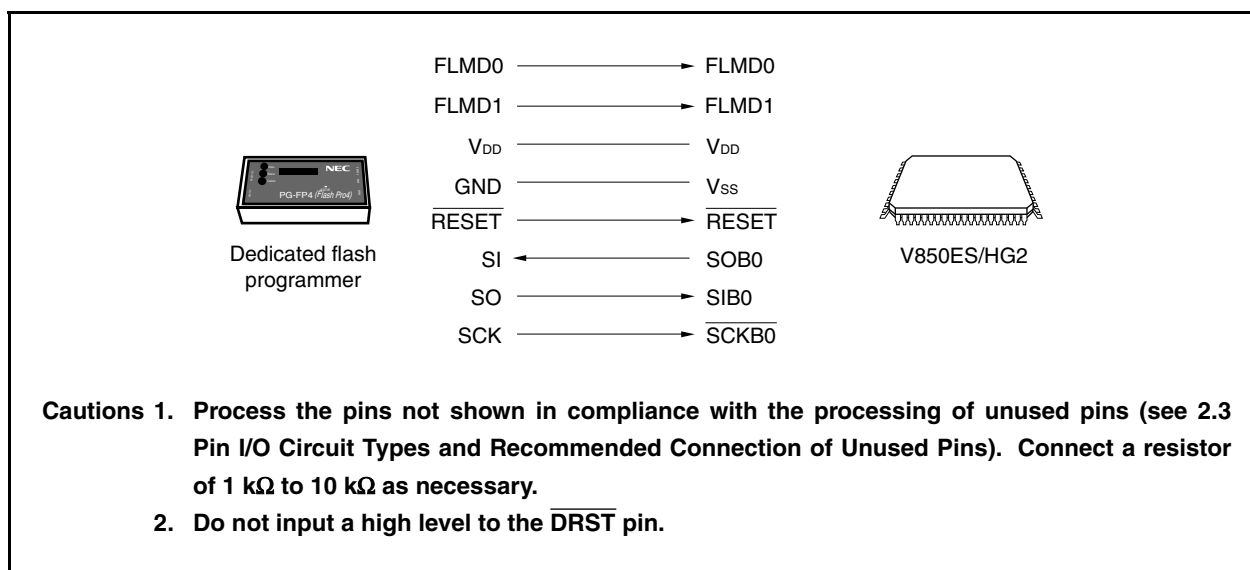
Figure 23-2. Communication with Dedicated Flash Programmer (UARTA0)



#### (2) CSIB0

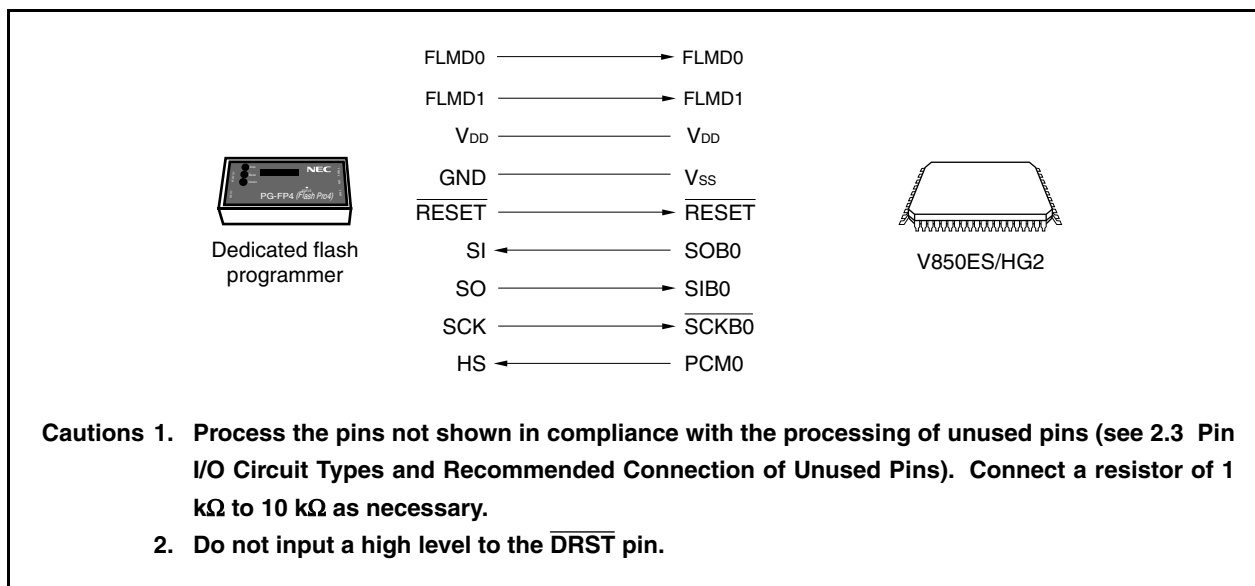
Serial clock: 2.4 kHz to 2.5 MHz (MSB first)

Figure 23-3. Communication with Dedicated Flash Programmer (CSIB0)



**(3) CSIB0 + HS**

Serial clock: 2.4 kHz to 2.5 MHz (MSB first)

**Figure 23-4. Communication with Dedicated Flash Programmer (CSIB0 + HS)**

The dedicated flash programmer outputs the transfer clock, and the V850ES/HG2 operates as a slave.

When the PG-FP4 is used as the dedicated flash programmer, it generates the following signals to the V850ES/HG2. For details, refer to the **PG-FP4 User's Manual (U15260E)**.

**Table 23-1. Signal Connections of Dedicated Flash Programmer (PG-FP4)**

PG-FP4			V850ES/HG2	Processing for Connection		
Signal Name	I/O	Pin Function	Pin Name	UARTA0	CSIB0	CSIB0 + HS
FLMD0	Output	Write enable/disable	FLMD0	○	○	○
FLMD1	Output	Write enable/disable	FLMD1	○ <sup>Note 1</sup>	○ <sup>Note 1</sup>	○ <sup>Note 1</sup>
VDD	–	V <sub>DD</sub> voltage generation/voltage monitor	V <sub>DD</sub>	○	○	○
GND	–	Ground	V <sub>SS</sub>	○	○	○
CLK	Output	Clock output to V850ES/HG2	X1, X2	× <sup>Note 2</sup>	× <sup>Note 2</sup>	× <sup>Note 2</sup>
$\overline{\text{RESET}}$	Output	Reset signal	$\overline{\text{RESET}}$	○	○	○
SI/RxD	Input	Receive signal	SOB0, TXDA0	○	○	○
SO/TxD	Output	Transmit signal	SIB0, RXDA0	○	○	○
SCK	Output	Transfer clock	$\overline{\text{SCKB0}}$	×	○	○
HS	Input	Handshake signal for CSIB0 + HS communication	PCM0	×	×	○

**Notes** 1. Wire these pins as shown in Figure 23-5, or connect them to GND via pull-down resistor on board.

2. Clock cannot be supplied via the CLK pin of the flash programmer. Create an oscillator on board and supply the clock.

**Remark** ○: Must be connected.

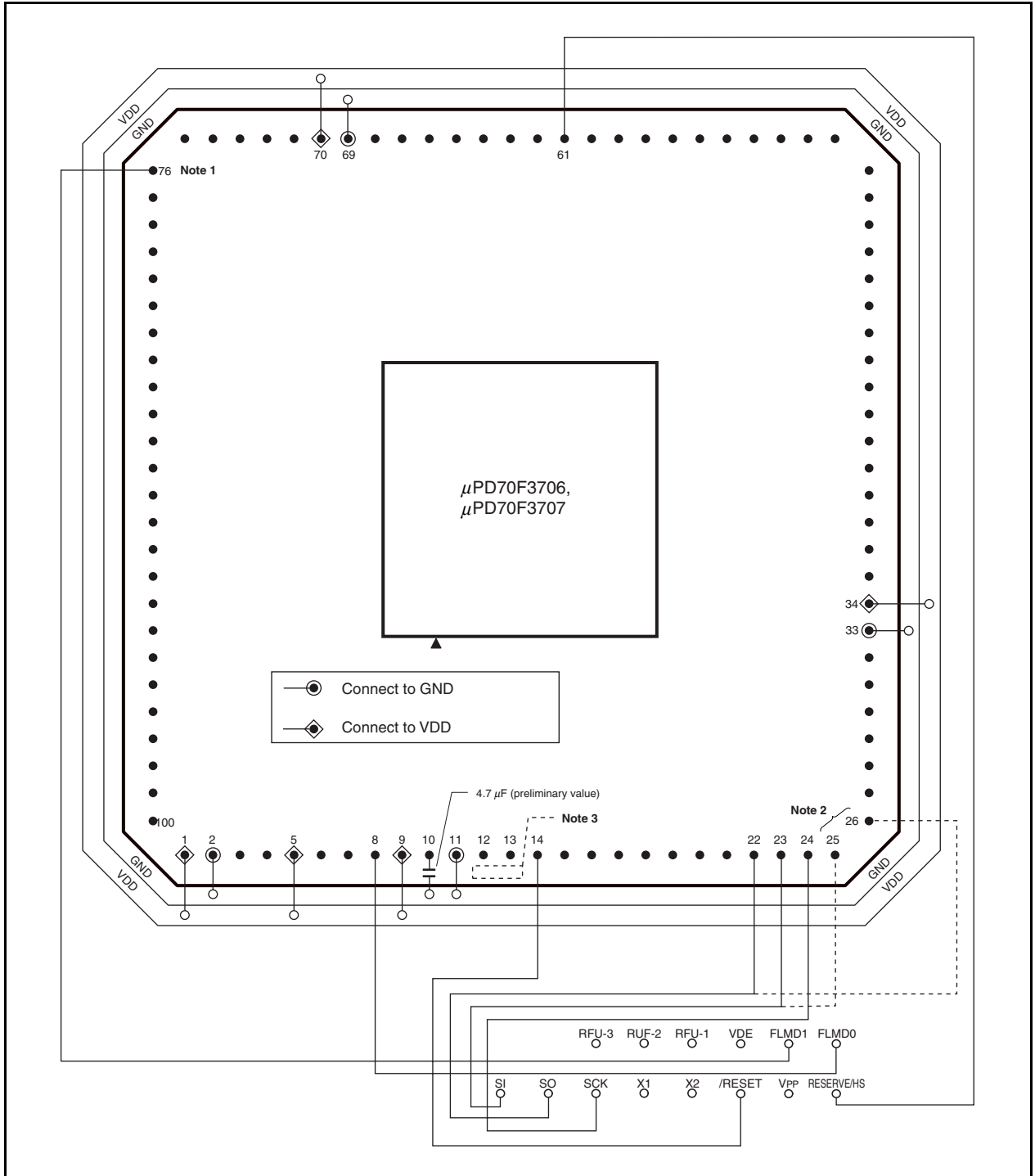
×: Does not have to be connected.

Table 23-2. Wiring of Flash Writing Adapter for V850ES/HG2 (FA-100GC-8EU)

Flash Programmer (PG-FP4) Connection Pins			Pin Name on FA Board	When CSIB0 + HS Is Used		When CSIB0 Is Used		When UARTA0 Is Used	
Signal Name	I/O	Pin Function		Pin Name	Pin No.	Pin Name	Pin No.	Pin Name	Pin No.
SI/RxD	Input	Receive signal	SI	P41/SOB0	23	P41/SOB0	23	P30/TXDA0	25
SO/TxD	Output	Transmit signal	SO	P40/SIB0	22	P40/SIB0	22	P31/RXDA0/INTP7	26
SCK	Output	Transfer clock	SCK	P42/ $\overline{\text{SCKB0}}$	24	P42/ $\overline{\text{SCKB0}}$	24	Not necessary	–
CLK	Output	Clock to V850ES/HG2	X1	Not necessary	–	Not necessary	–	Not necessary	–
			X2	Not necessary	–	Not necessary	–	Not necessary	–
/RESET	Output	Reset signal	/RESET	$\overline{\text{RESET}}$	14	$\overline{\text{RESET}}$	14	$\overline{\text{RESET}}$	14
FLMD0	Input	Write voltage	FLMD0	FLMD0	8	FLMD0	8	FLMD0	8
FLMD1	Input	Write voltage	FLMD1	PDL5/FLMD1	76	PDL5/FLMD1	76	PDL5/FLMD1	76
HS	Input	Handshake signal of CSIO + HS communication	RESERVE/ HS	PCM0	61	Not necessary	–	Not necessary	–
VDD	–	VDD voltage generation/ voltage monitor	VDD	V <sub>DD</sub>	9	V <sub>DD</sub>	9	V <sub>DD</sub>	9
				BV <sub>DD</sub>	70	BV <sub>DD</sub>	70	BV <sub>DD</sub>	70
				EV <sub>DD</sub>	5, 34	EV <sub>DD</sub>	5, 34	EV <sub>DD</sub>	5, 34
				AV <sub>REF0</sub>	1	AV <sub>REF0</sub>	1	AV <sub>REF0</sub>	1
GND	–	Ground	GND	V <sub>SS</sub>	11	V <sub>SS</sub>	11	V <sub>SS</sub>	11
				AV <sub>SS</sub>	2	AV <sub>SS</sub>	2	AV <sub>SS</sub>	2
				BV <sub>SS</sub>	69	BV <sub>SS</sub>	69	BV <sub>SS</sub>	69
				EV <sub>SS</sub>	33	EV <sub>SS</sub>	33	EV <sub>SS</sub>	33

- Cautions**
1. Be sure to connect the REGC pin to GND via a 4.7  $\mu\text{F}$  (preliminary value) capacitor.
  2. A clock cannot be supplied from the CLK pin of the flash programmer. Create an oscillator on the board and supply the clock from that oscillator.

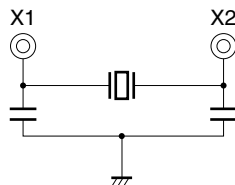
**Figure 23-5. Example of Wiring of V850ES/HG2 Flash Writing Adapter (FA-100GC-8EU)  
(in CSIB0 + HS Mode) (1/2)**



**Figure 23-5. Example of Wiring of V850ES/HG2 Flash Writing Adapter (FA-100GC-8EU)  
(in CSIB0 + HS Mode) (2/2)**

- Notes**
1. Wire the FLMD1 pin as shown below, or connect it to GND on board via a pull-down resistor.
  2. Pins used when UARTA0 is used
  3. Supply a clock by creating an oscillator on the flash writing adapter (enclosed by the broken lines). Here is an example of the oscillator.

**Example**



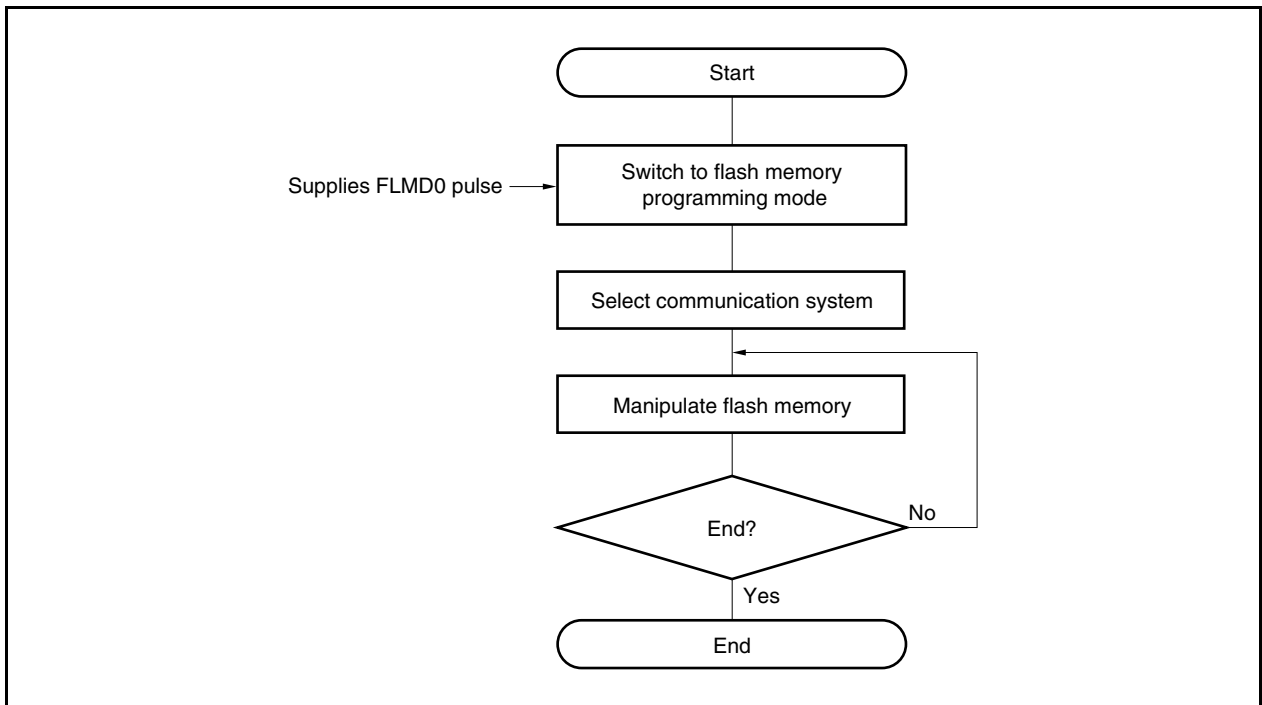
**Caution** Do not input a high level to the  $\overline{\text{DRST}}$  pin.

- Remarks**
1. Process the pins not shown in accordance with processing of unused pins (see 2.3 Pin I/O Circuit Types and Recommended Connection of Unused Pins).
  2. This adapter is used for the 100-pin plastic LQFP package.

### 23.2.3 Flash memory control

The following shows the procedure for manipulating the flash memory.

**Figure 23-6. Procedure for Manipulating Flash Memory**

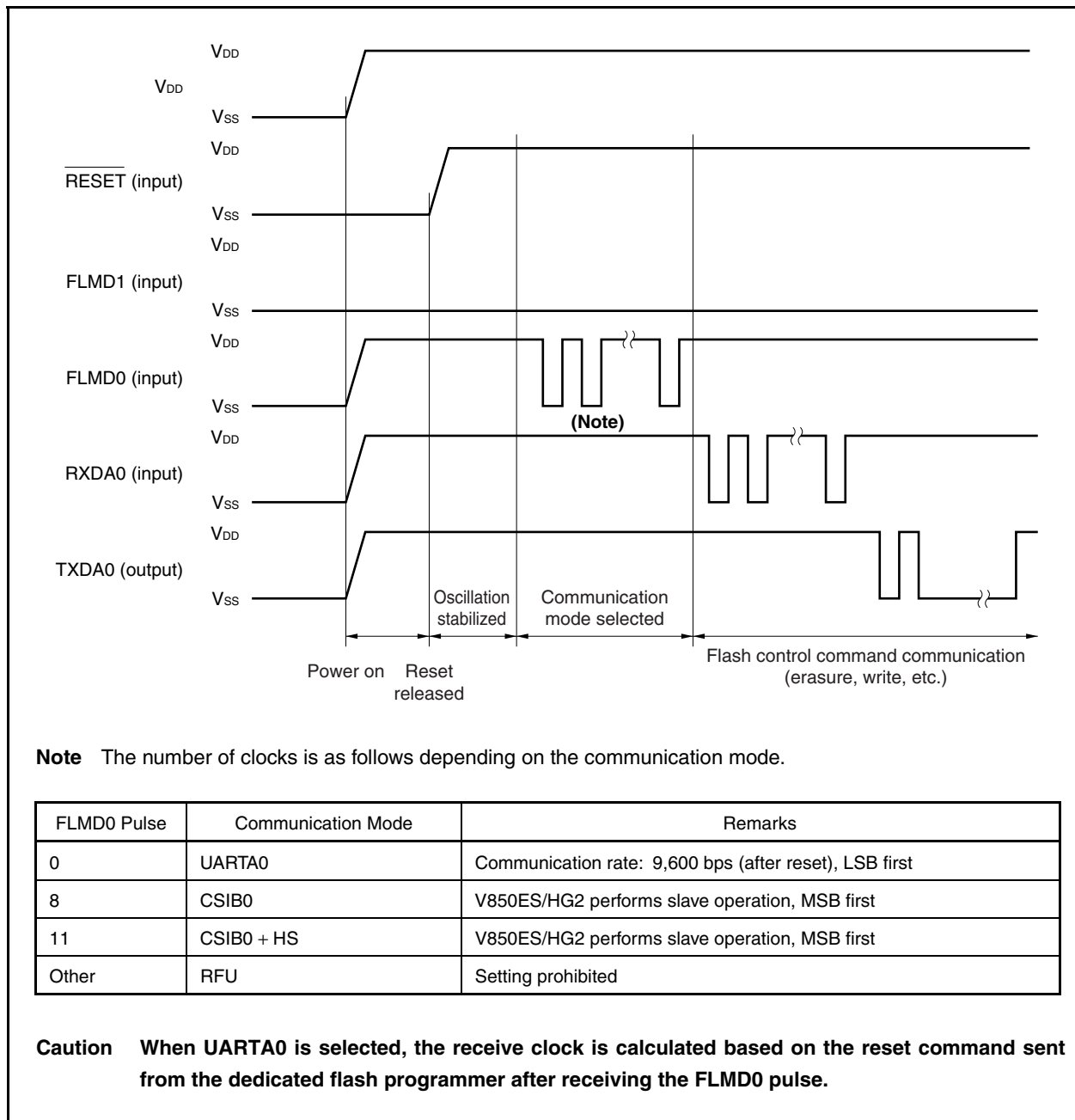


**23.2.4 Selection of communication mode**

In the V850ES/HG2, the communication mode is selected by inputting pulses (12 pulses max.) to the FLMD0 pin after switching to the flash memory programming mode. The FLMD0 pulse is generated by the dedicated flash programmer.

The following shows the relationship between the number of pulses and the communication mode.

**Figure 23-7. Selection of Communication Mode**

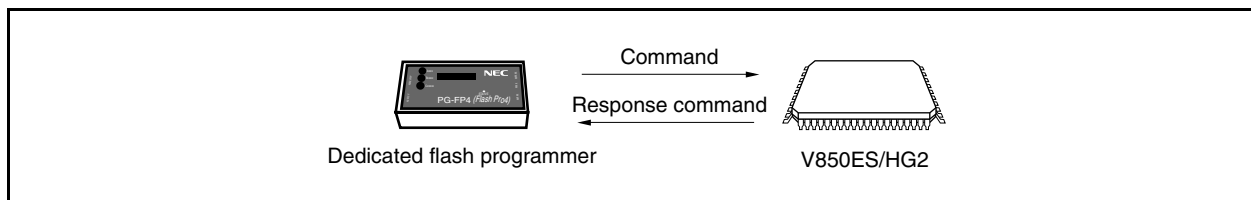




### 23.2.5 Communication commands

The V850ES/HG2 communicates with the dedicated flash programmer by means of commands. The signals sent from the dedicated flash programmer to the V850ES/HG2 are called “commands”. The response signals sent from the V850ES/HG2 to the dedicated flash programmer are called “response commands”.

**Figure 23-8. Communication Commands**



The following shows the commands for flash memory control in the V850ES/HG2. All of these commands are issued from the dedicated flash programmer, and the V850ES/HG2 performs the processing corresponding to the commands.

**Table 23-3. Flash Memory Control Commands**

Classification	Command Name	Support			Function
		CSIB0	CSIB0 + HS	UARTA0	
Blank check	Block blank check command	√	√	√	Checks if the contents of the memory in the specified block have been correctly erased.
Erase	Chip erase command	√	√	√	Erases the contents of the entire memory.
	Block erase command	√	√	√	Erases the contents of the memory of the specified block.
Write	Write command	√	√	√	Writes the specified address range, and executes a contents verify check.
Verify	Verify command	√	√	√	Compares the contents of memory in the specified address range with data transferred from the flash programmer.
	Checksum command	√	√	√	Reads the checksum in the specified address range.
System setting, control	Silicon signature command	√	√	√	Reads silicon signature information.
	Security setting command	√	√	√	Disables the block erase, chip erase, program, read commands, and rewriting of the boot area.

### 23.2.6 Pin connection

When performing on-board writing, mount a connector on the target system to connect to the dedicated flash programmer. Also, incorporate a function on-board to switch from the normal operation mode to the flash memory programming mode.

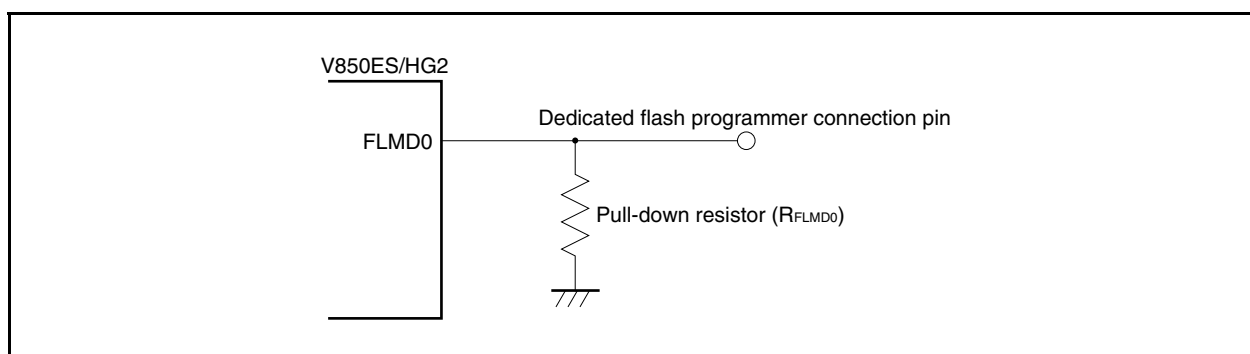
In the flash memory programming mode, all the pins not used for flash memory programming become the same status as that immediately after reset. Therefore, pin handling is required when the external device does not acknowledge the status immediately after a reset.

#### (1) FLMD0 pin

In the normal operation mode, input a voltage of  $V_{SS}$  level to the FLMD0 pin. In the flash memory programming mode, supply a write voltage of  $V_{DD}$  level to the FLMD0 pin.

Because the FLMD0 pin serves as a write protection pin in the self programming mode, a voltage of  $V_{DD}$  level must be supplied to the FLMD0 pin via port control, etc., before writing to the flash memory. For details, see **23.3.5 (1) FLMD0 pin**.

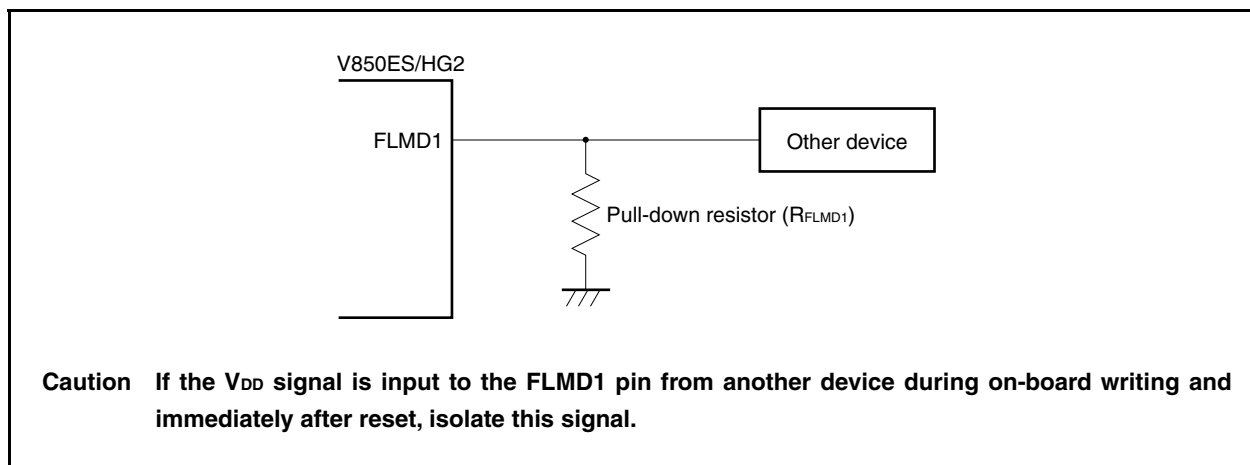
**Figure 23-9. FLMD0 Pin Connection Example**



#### (2) FLMD1 pin

When 0 V is input to the FLMD0 pin, the FLMD1 pin does not function. When  $V_{DD}$  is supplied to the FLMD0 pin, the flash memory programming mode is entered, so 0 V must be input to the FLMD1 pin. The following shows an example of the connection of the FLMD1 pin.

**Figure 23-10. FLMD1 Pin Connection Example**



**Table 23-4. Relationship Between FLMD0 and FLMD1 Pins and Operation Mode When Reset Is Released**

FLMD0	FLMD1	Operation Mode
0	Don't care	Normal operation mode
V <sub>DD</sub>	0	Flash memory programming mode
V <sub>DD</sub>	V <sub>DD</sub>	Setting prohibited

**(3) Serial interface pin**

The following shows the pins used by each serial interface.

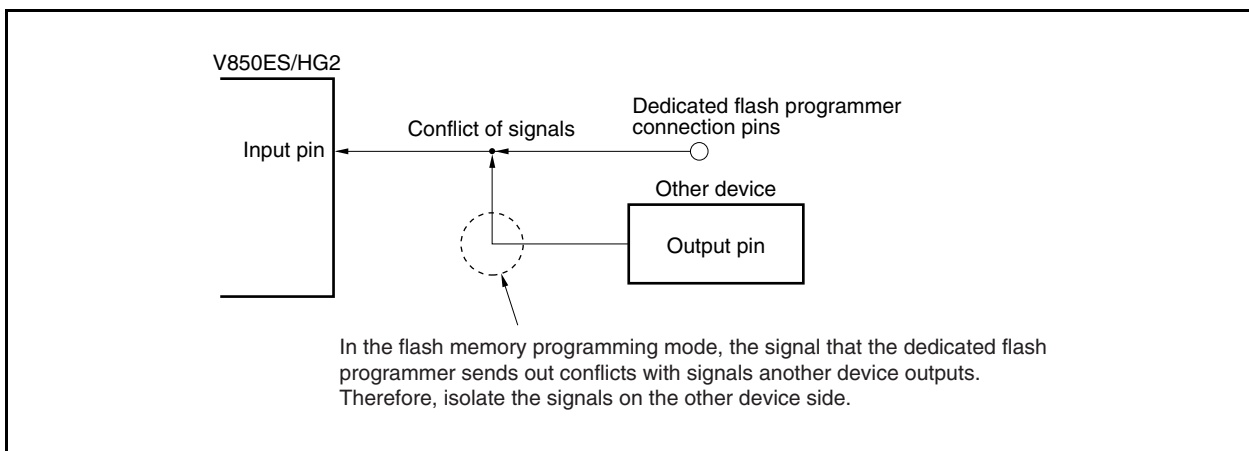
**Table 23-5. Pins Used by Serial Interfaces**

Serial Interface	Pins Used
UARTA0	TXDA0, RXDA0
CSIB0	SOB0, SIB0, $\overline{\text{SCKB0}}$
CSIB0 + HS	SOB0, SIB0, $\overline{\text{SCKB0}}$ , PCM0

When connecting a dedicated flash programmer to a serial interface pin that is connected to another device on-board, care should be taken to avoid conflict of signals and malfunction of the other device.

**(a) Conflict of signals**

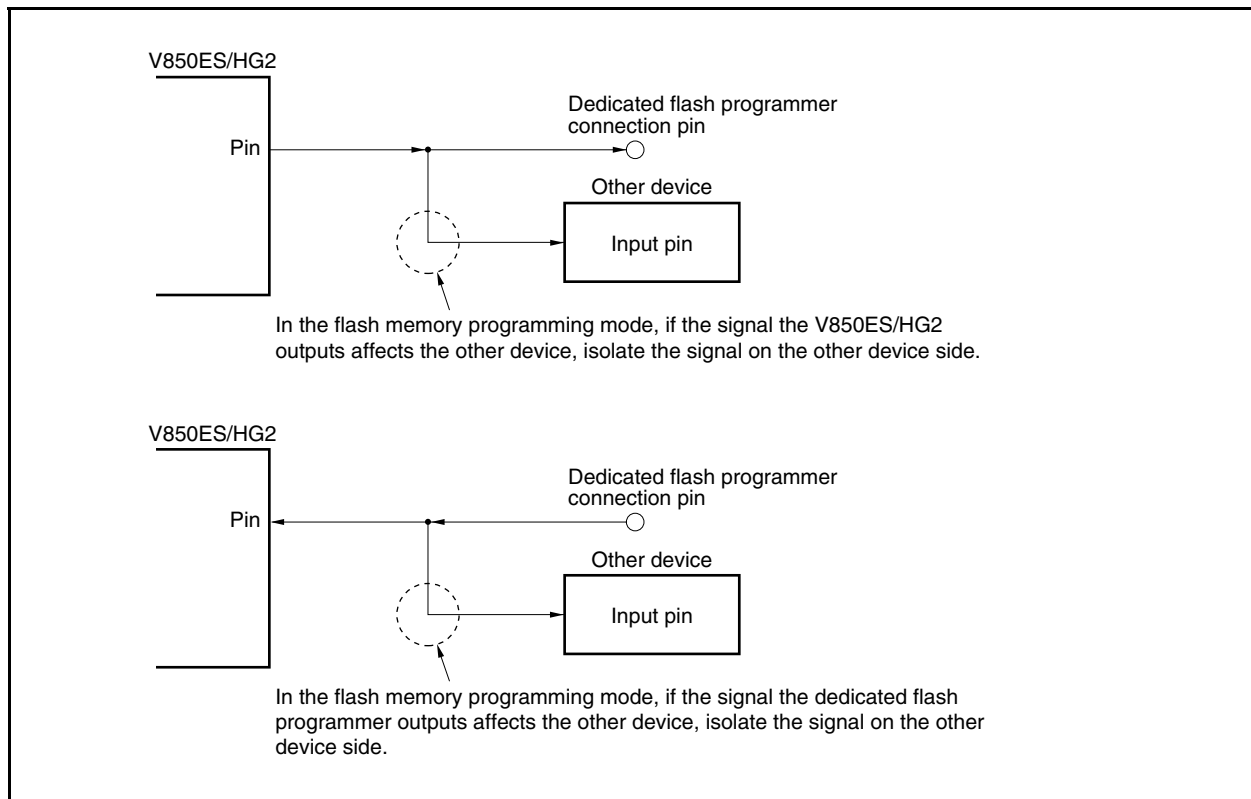
When the dedicated flash programmer (output) is connected to a serial interface pin (input) that is connected to another device (output), a conflict of signals occurs. To avoid the conflict of signals, isolate the connection to the other device or set the other device to the output high-impedance status.

**Figure 23-11. Conflict of Signals (Serial Interface Input Pin)**

**(b) Malfunction of other device**

When the dedicated flash programmer (output or input) is connected to a serial interface pin (input or output) that is connected to another device (input), the signal is output to the other device, causing the device to malfunction. To avoid this, isolate the connection to the other device.

**Figure 23-12. Malfunction of Other Device**

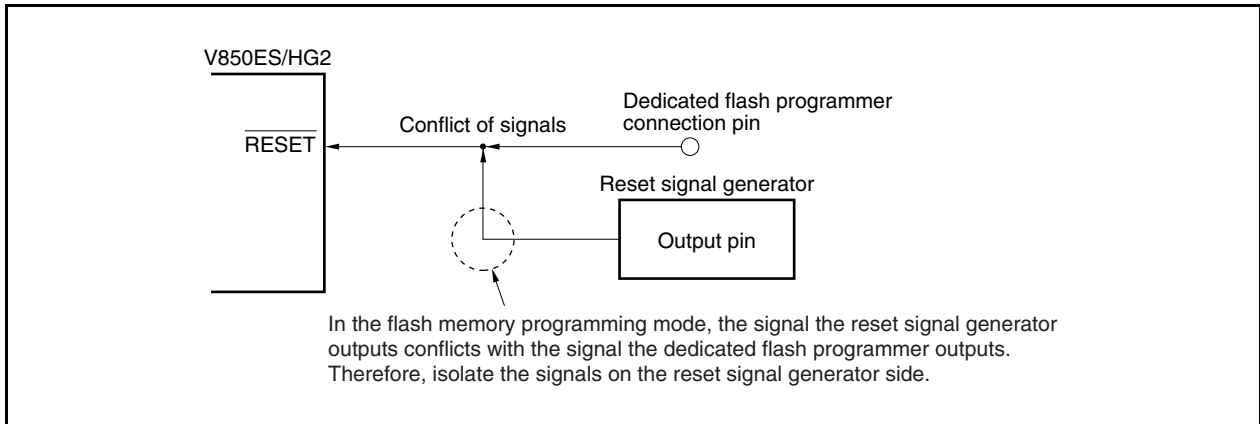


**(4) RESET pin**

When the reset signals of the dedicated flash programmer are connected to the  $\overline{\text{RESET}}$  pin that is connected to the reset signal generator on-board, a conflict of signals occurs. To avoid the conflict of signals, isolate the connection to the reset signal generator.

When a reset signal is input from the user system in the flash memory programming mode, the programming operation will not be performed correctly. Therefore, do not input signals other than the reset signals from the dedicated flash programmer.

**Figure 23-13. Conflict of Signals ( $\overline{\text{RESET}}$  Pin)**

**(5) Port pins (including NMI)**

When the system shifts to the flash memory programming mode, all the pins that are not used for flash memory programming are in the same status as that immediately after reset. If the external device connected to each port does not recognize the status of the port immediately after reset, pins require appropriate processing, such as connecting to  $V_{DD}$  via a resistor or connecting to  $V_{SS}$  via a resistor.

**(6) Other signal pins**

Connect X1, X2, XT1, and XT2 in the same status as that in the normal operation mode.

During flash memory programming, input a low level to the  $\overline{\text{DRST}}$  pin or leave it open. Do not input a high level.

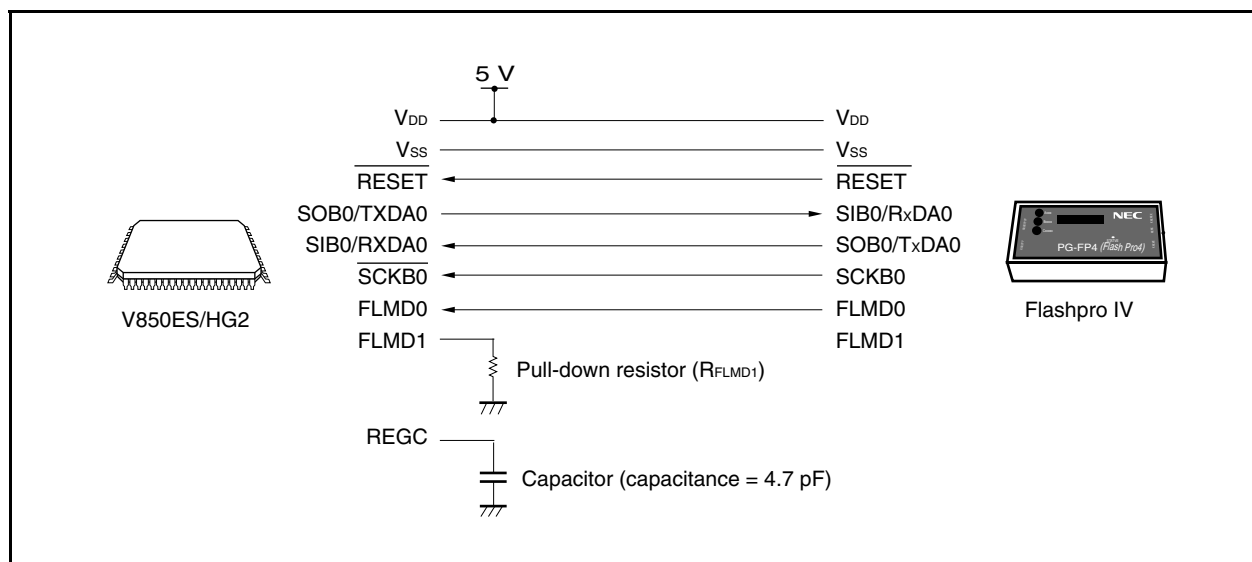
**(7) Power supply**

Supply the same power ( $V_{DD}$ ,  $V_{SS}$ ,  $EV_{DD}$ ,  $EV_{SS}$ ,  $BV_{DD}$ ,  $BV_{SS}$ ,  $AV_{REF0}$ ,  $AV_{SS}$ ,  $REGC$ ) as in normal operation mode.

23.2.7 Recommended circuit example for writing

Figure 23-14 shows the recommended circuit example for writing.

Figure 23-14. Procedure for Manipulating Flash Memory

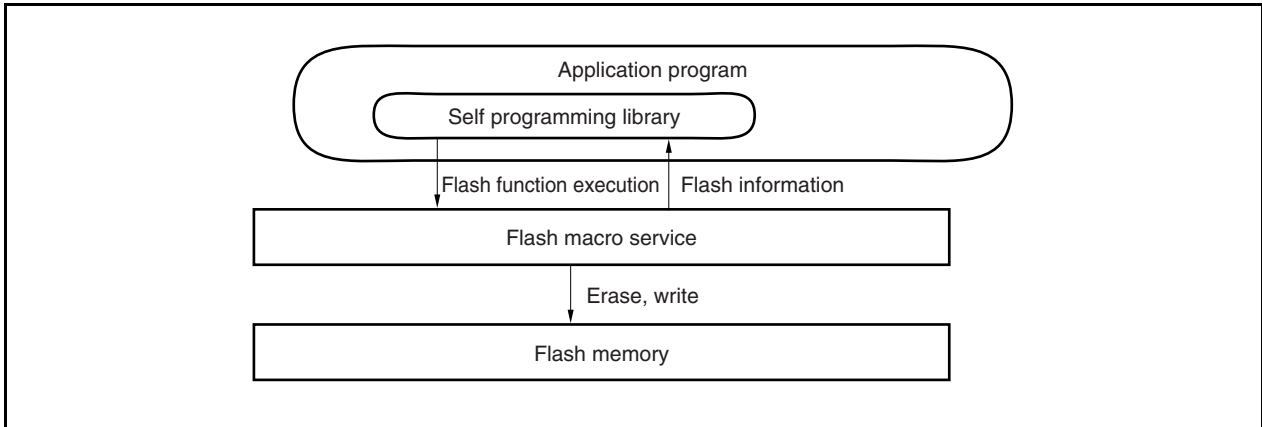


## 23.3 Rewriting by Self Programming

### 23.3.1 Overview

The V850ES/HG2 supports a flash macro service that allows the user program to rewrite the internal flash memory by itself. By using this interface and a self programming library that is used to rewrite the flash memory with a user application program, the flash memory can be rewritten by a user application transferred in advance to the internal RAM or external memory. Consequently, the user program can be upgraded and constant data can be rewritten in the field.

**Figure 23-15. Concept of Self Programming**

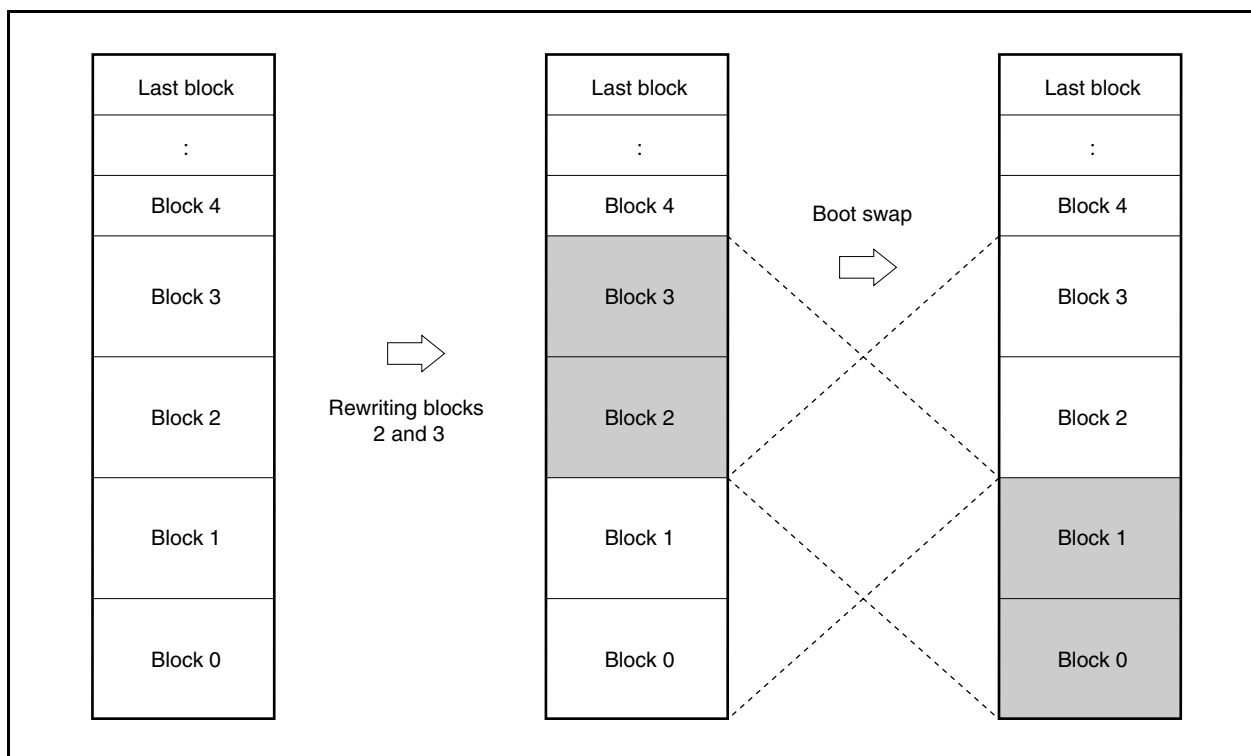


## 23.3.2 Features

## (1) Secure self programming (boot swap function)

The V850ES/HG2 supports a boot swap function that can exchange the physical memory of blocks 0 and 1 with the physical memory of blocks 2 and 3. By writing the start program to be rewritten to blocks 2 and 3 in advance and then swapping the physical memory, the entire area can be safely rewritten even if a power failure occurs during rewriting because the correct user program always exists in blocks 0 and 1.

Figure 23-16. Rewriting Entire Memory Area (Boot Swap)



## (2) Interrupt support

Instructions cannot be fetched from the flash memory during self programming. Conventionally, a user handler written to the flash memory could not be used even if an interrupt occurred.

Therefore, in the V850ES/HG2, to use an interrupt during self programming, processing transits to the specific address<sup>Note</sup> in the internal RAM. Allocate the jump instruction that transits processing to the user interrupt servicing at the specific address<sup>Note</sup> in the internal RAM.

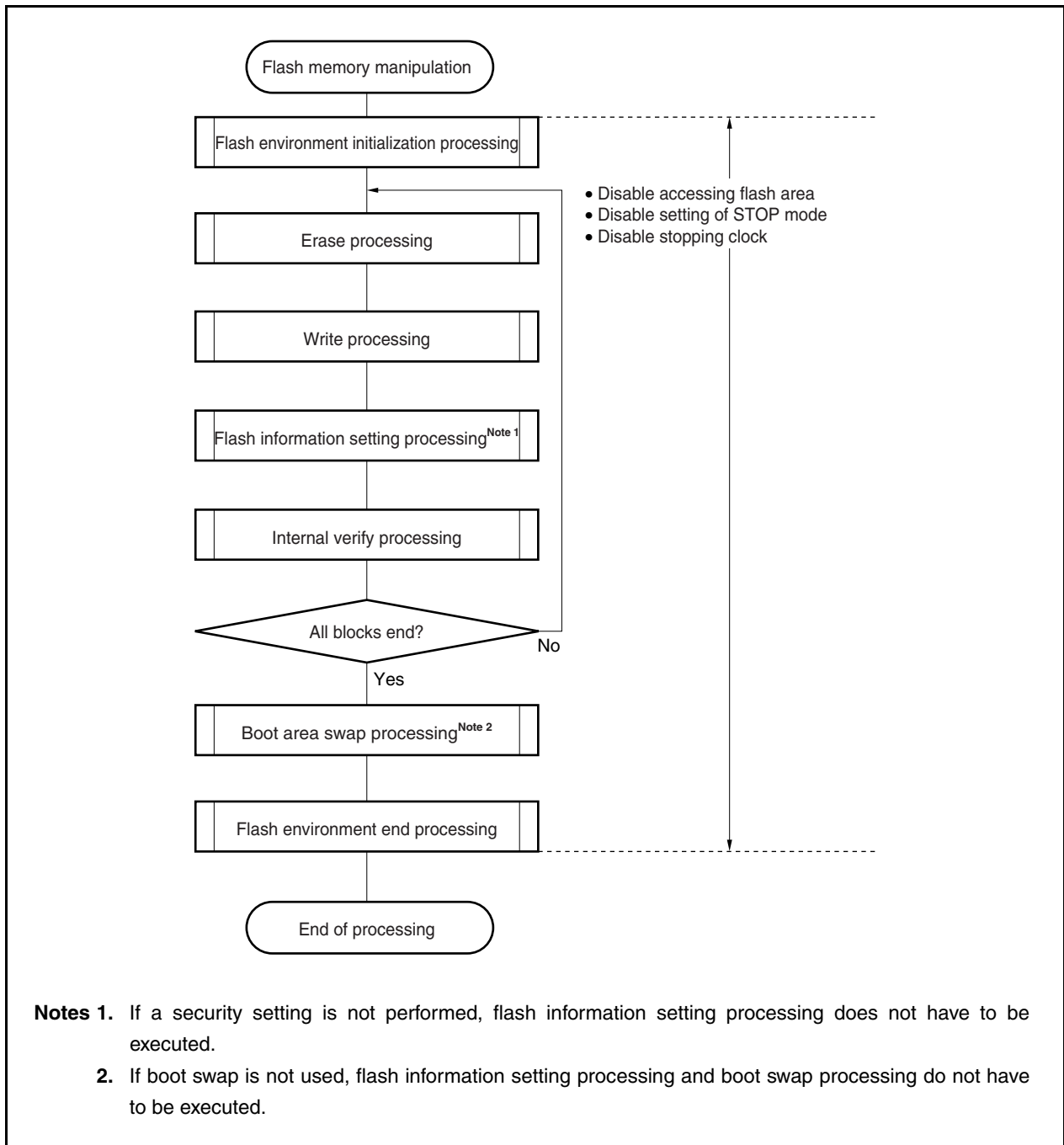
**Note** NMI interrupt: Start address of internal RAM  
 Maskable interrupt: Start address of internal RAM + 4 addresses



### 23.3.3 Standard self programming flow

The entire processing to rewrite the flash memory by flash self programming is illustrated below.

**Figure 23-17. Standard Self Programming Flow**



## 23.3.4 Flash functions

Table 23-6. Flash Function List

Function Name	Outline	Support
FlashEnv	Initialization of flash control macro	√
FlashBlockErase	Erasure of specified one block	√
FlashWordWrite	Writing from specified address	√
FlashBlockVerify	Internal verification of specified one block	√
FlashBlockBlankCheck	Blank check of specified one block	√
FlashFLMDCheck	Check of FLMD pin	√
FlashStatusCheck	Status check of operation specified immediately before	√
FlashGetInfo	Reading of flash information	√
FlashSetInfo	Setting of flash information	√
FlashBootSwap	Swapping of boot area	√
FlashWordRead	Data read from specified address	√
FlashSetUserHandler	User interrupt handler registration function	√

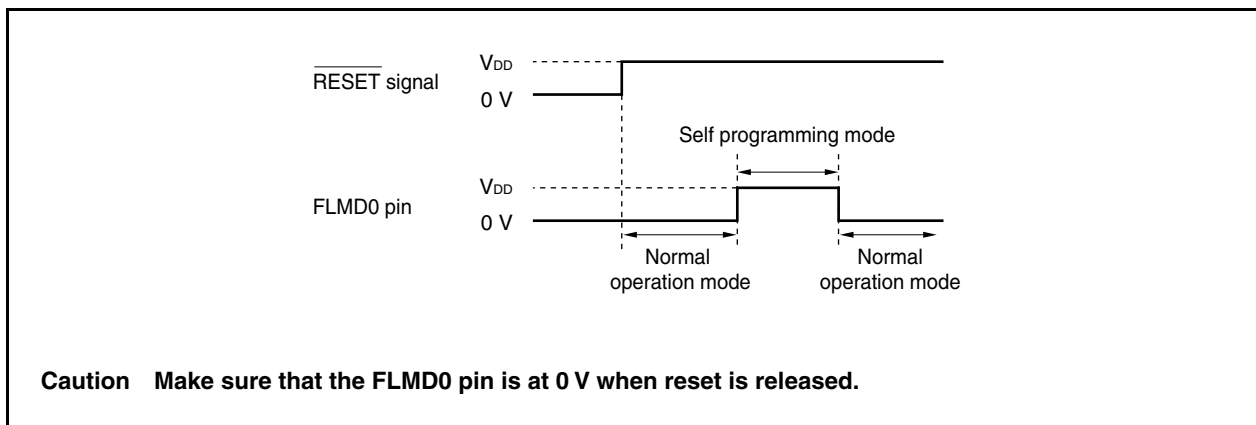
## 23.3.5 Pin processing

## (1) FLMD0 pin

The FLMD0 pin is used to set the operation mode when reset is released and to protect the flash memory from being written during self rewriting. It is therefore necessary to keep the voltage applied to the FLMD0 pin at 0 V when reset is released and a normal operation is executed. It is also necessary to apply a voltage of  $V_{DD}$  level to the FLMD0 pin during the self programming mode period via port control before the memory is rewritten.

When self programming has been completed, the voltage on the FLMD0 pin must be returned to 0 V.

Figure 23-18. Mode Change Timing



**23.3.6 Internal resources used**

The following table lists the internal resources used for self programming. These internal resources can also be used freely for purposes other than self programming.

**Table 23-7. Internal Resources Used**

Resource Name	Description
Stack area (user stack + (TBD) bytes)	An extension of the stack used by the user is used by the library (can be used in both the internal RAM and external RAM).
Library code ((TBD) bytes)	Program entity of library (can be used anywhere other than the flash memory block to be manipulated).
Application program	Executed as a user application. Calls flash functions.
Maskable interrupt	Can be used in user application execution status or self programming status. To use this interrupt in the self-programming status, since the processing transits to the address of the internal RAM start address + 4 addresses, allocate the jump instruction that transits the processing to the user interrupt servicing at the address of the internal RAM start address + 4 addresses in advance.
NMI interrupt	Can be used in user application execution status or self programming status. To use this interrupt in the self-programming status, since the processing transits to the address of the internal RAM start address, allocate the jump instruction that transits the processing to the user interrupt servicing at the internal RAM start address in advance.

## CHAPTER 24 OPTION BYTE FUNCTION

The option byte is stored in address 000007AH of the internal flash memory (internal ROM area) as 8-bit data.

When writing a program to the V850ES/HG2, be sure to set the option data corresponding to the following option in the program at address 000007AH as default data.

The data in this area cannot be rewritten during program execution.

Address: 000007AH

7	6	5	4	3	2	1	0
OPB7	OPB6	-	-	-	-	OPB1	OPB0

OPB7	OPB6	Subclock operation mode setting
0	0	Crystal resonator mode
1	1	RC oscillator mode

OPB1	Watchdog timer 2 mode setting
0	Operating clock ( $f_x/f_R$ ) selectable INTWDT2 mode/WDTRES mode selectable
1	Fixed to internal oscillation clock ( $f_R$ ) Fixed to WDTRES mode

OPB0	Stopping internal oscillator enable/disable
0	Stopping enabled
1	Stopping disabled

## CHAPTER 25 ON-CHIP DEBUG FUNCTION

The V850ES/HG2 has an on-chip debug function that uses the JTAG (Joint Test Action Group) interface ( $\overline{\text{DRST}}$ , DCK, DMS, DDI, and DDO pins) and that can be used via an on-chip debug emulator (MINICUBE<sup>®</sup>).

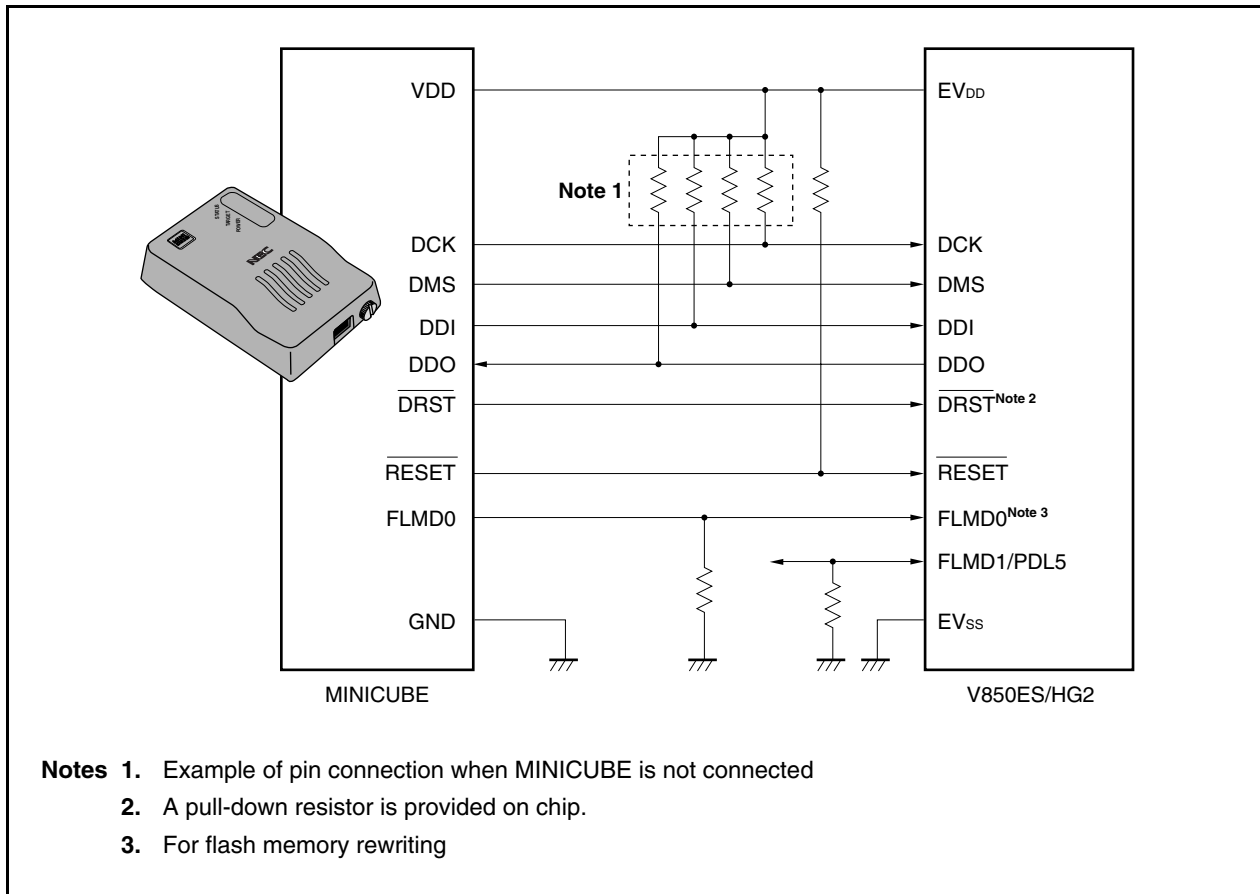
### 25.1 Features

- Hardware break function: 2 points
- Software break function: 4 points
- Real-time RAM monitor function: Memory contents can be read during program execution.
- Dynamic memory modification function (DMM function): RAM contents can be rewritten during program execution.
- Mask function:  $\overline{\text{RESET}}$ , NMI
- ROM security function: 10-byte ID code authentication

**Caution** The following functions are not supported.

- Trace function
- Event function
- Debug interrupt interface function (DBINT)

25.2 Connection Circuit Example



## 25.3 Interface Signals

The interface signals are described below.

### (1) $\overline{\text{DRST}}$

This is a reset input signal for the on-chip debug unit. It is a negative-logic signal that asynchronously initializes the debug control unit.

MINICUBE raises the  $\overline{\text{DRST}}$  signal when it detects  $V_{\text{DD}}$  of the target system after the integrated debugger is started, and starts the on-chip debug unit of the device.

When the  $\overline{\text{DRST}}$  signal goes high, a reset signal is also generated in the CPU.

When starting debugging by starting the integrated debugger, a CPU reset is always generated.

### (2) DCK

This is a clock input signal. It supplies a 20 MHz clock from MINICUBE. In the on-chip debug unit, the DMS and DDI signals are sampled at the rising edge of the DCK signal, and the data DDO is output at its falling edge.

### (3) DMS

This is a transfer mode select signal. The transfer status in the debug unit changes depending on the level of the DMS signal.

### (4) DDI

This is a data input signal. It is sampled in the on-chip debug unit at the rising edge of DCK.

### (5) DDO

This is a data output signal. It is output from the on-chip debug unit at the falling edge of the DCK signal.

### (6) $\text{EV}_{\text{DD}}$

This signal is used to detect  $V_{\text{DD}}$  of the target system. If  $V_{\text{DD}}$  from the target system is not detected, the signals output from MINICUBE ( $\overline{\text{DRST}}$ , DCK, DMS, DDI, FLMD0, and  $\overline{\text{RESET}}$ ) go into a high-impedance state.

**(7) FLMD0**

The flash self programming function is used for the function to download data to the flash memory via the integrated debugger. During flash self programming, the FLMD0 pin must be kept high. In addition, connect a pull-down resistor to the FLMD0 pin.

The FLMD0 pin can be controlled in either of the following two ways.

**<1> To control from MINICUBE**

Connect the FLMD0 signal of MINICUBE to the FLMD0 pin.

In the normal mode, nothing is driven by MINICUBE (high impedance).

During a break, MINICUBE raises the FLMD0 pin to the high level when the download function of the integrated debugger is executed.

**<2> To control from port**

Connect any port of the device to the FLMD0 pin.

The same port as the one used by the user program to realize the flash self programming function may be used.

On the console of the integrated debugger, make a setting to raise the port pin to high level before executing the download function, or lower the port pin after executing the download function.

For details, refer to the **ID850QB Ver. 3.10 Integrated Debugger Operation User's Manual (U17435E)**.

**(8)  $\overline{\text{RESET}}$** 

This is a system reset input pin. If the  $\overline{\text{DRST}}$  pin is made invalid by the value of the OCDM.OCDM0 bit set by the user program, on-chip debugging cannot be executed. Therefore, reset is effected by MINICUBE, using the  $\overline{\text{RESET}}$  pin, to make the  $\overline{\text{DRST}}$  pin valid (initialization).



## 25.4 Register

### (1) On-chip debug mode register (OCDM)

The OCDM register is used to select the normal operation mode or on-chip debug mode. This register is a special register and can be written only in a combination of specific sequences (see **3.4.7 Special registers**). This register is also used to specify whether a pin provided with an on-chip debug function is used as an on-chip debug pin or as an ordinary port/peripheral function pin. It also is used to disconnect the internal pull-down resistor of the P05 pin.

The OCDM register can be written only while a low level is input to the P05 pin.

This register can be read or written in 8-bit or 1-bit units.

After reset: 01H<sup>Note</sup>    R/W    Address: FFFFF9FCH

OCDM	7	6	5	4	3	2	1	0
	0	0	0	0	0	0	0	OCDM0

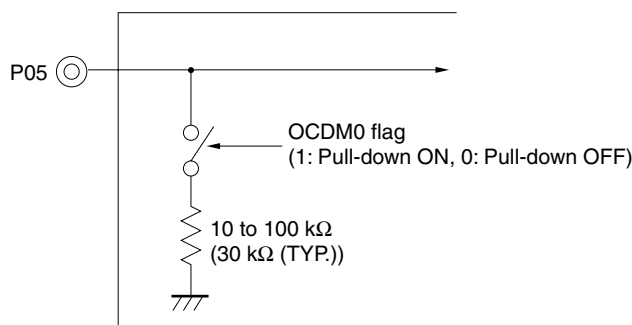
OCDM0	Operation mode
0	Selects normal operation mode (in which a pin that functions alternately as on-chip debug function pin is used as a port/peripheral function pin) and disconnects the on-chip pull-down resistor of the P05 pin.
1	When P05 pin is low: Normal operation mode (in which a pin that functions alternately as an on-chip debug function pin is used as a port/peripheral function pin) When P05 pin is high: On-chip debug mode (in which a pin that functions alternately as an on-chip debug function pin is used as an on-chip debug mode pin)

**Note** The value of this register is 01H after reset by the  $\overline{\text{RESET}}$  pin and is 00H after reset by power-on-clear circuit (POC). After reset by the WDTRES2 signal, clock monitor (CLM), or low-voltage detector (LVI), however, the value of the OCDM register is retained.

**Cautions** 1. When using the DDI, DDO, DCK, and DMS pins not as on-chip debug pins but as port pins after external reset, the following actions must be taken.

- Input a low level to the P05 pin.
- Set the OCDM0 bit. In this case, take the following actions.
  - <1> Clear the OCDM0 bit to 0.
  - <2> Fix the P05 pin to the low level until <1> is completed.

2. The P05 pin has an on-chip pull-down resistor. This resistor is disconnected when the OCDM0 flag is cleared to 0.



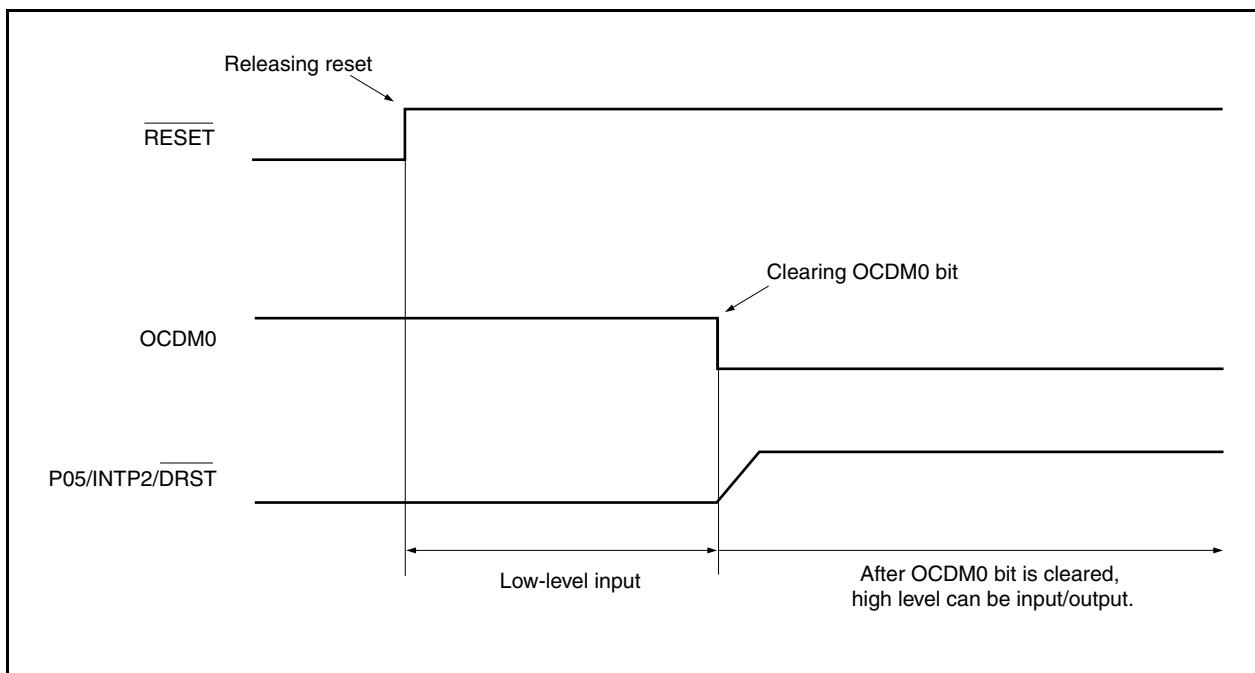
### 25.5 Operation

The on-chip debug function is made invalid under the conditions shown in the table below. When this function is not used, keep the  $\overline{\text{DRST}}$  pin low until the OCDM0 flag is cleared to 0.

OCDM0 Flag $\overline{\text{DRST}}$ Pin	0	1
L	Invalid	Invalid
H	Invalid	Valid

**Remark** L: Low-level input  
H: High-level input

**Figure 25-1. Timing When On-Chip Debug Function Is Not Used**



## 25.6 ROM Security Function

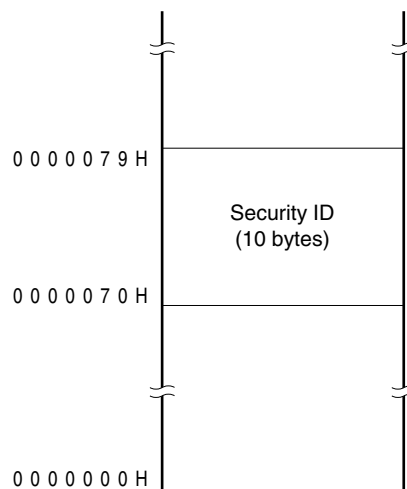
### 25.6.1 Security ID

The flash memory versions of the V850ES/HG2 perform authentication using a 10-byte ID code to prevent the contents of the flash memory from being read by an unauthorized person during on-chip debugging by the on-chip debug emulator.

Set the ID code in the 10-byte on-chip flash memory area from 0000070H to 0000079H to allow the debugger perform ID authentication.

If the IDs match, the security is released and reading flash memory and using the on-chip debug emulator are enabled.

- Set the 10-byte ID code to 0000070H to 0000079H.
- Bit 7 of 0000079H is the on-chip debug emulator enable flag.  
(0: Disable, 1: Enable)
- When the on-chip debug emulator is started, the debugger requests ID input. When the ID code input on the debugger and the ID code set in 0000070H to 0000079H match, the debugger starts.
- Debugging cannot be performed if the on-chip debug emulator enable flag is 0, even if the ID codes match.



**Caution** When the data in the flash memory has been deleted, all the bits are set to 1.

### 25.6.2 Setting

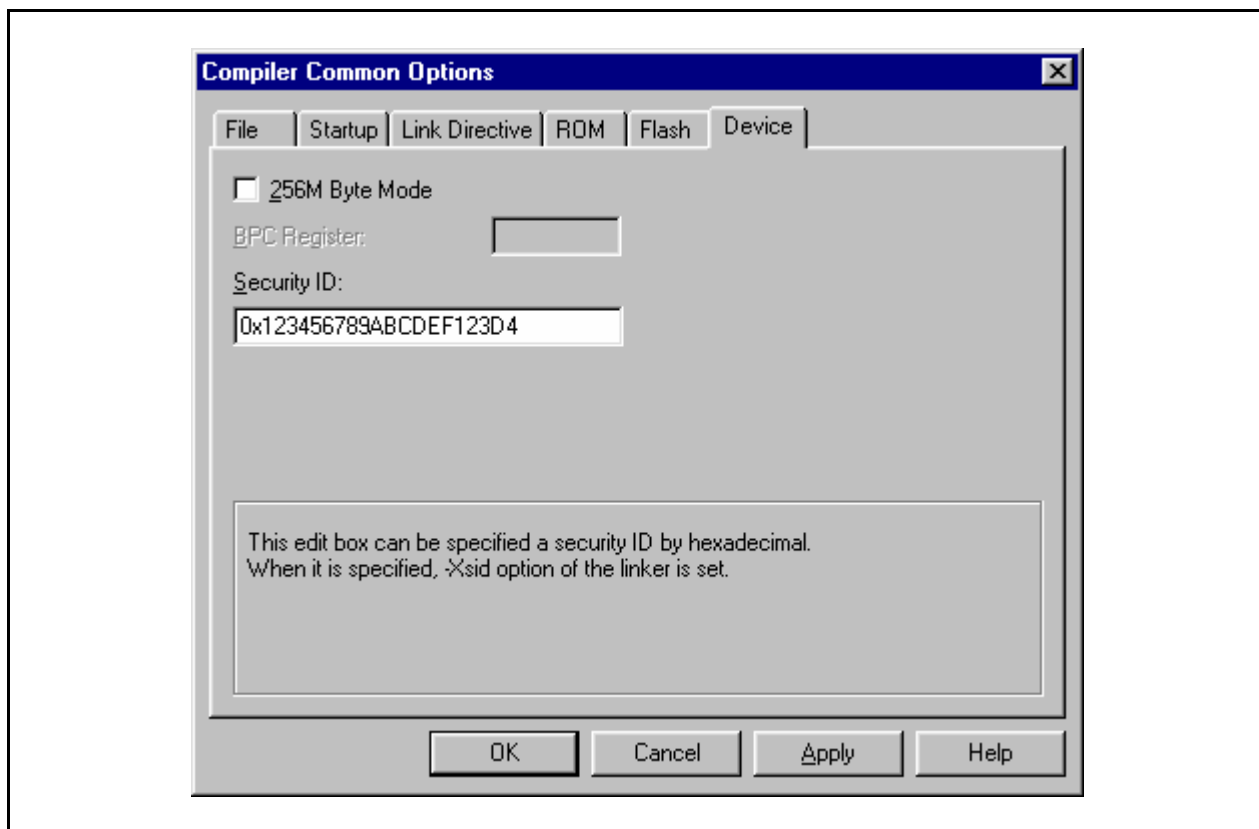
The following shows how to set the ID code as shown in Table 25-1.

When the ID code is set as shown in Table 25-1, the ID code input in the configuration dialog box of the ID850QB is "123456789ABCDEF123D4" (not case-sensitive).

**Table 25-1. ID Code**

Address	Value
0x70	0x12
0x71	0x34
0x72	0x56
0x73	0x78
0x74	0x9A
0x75	0xBC
0x76	0xDE
0x77	0xF1
0x78	0x23
0x79	0xD4

The ID code can be specified for the device file that supports the CA850 Ver. 2.60 or later and the security ID by the PM+ linker option setting.



**[Program example (when using CA850 Ver. 2.60 or later)]**

```

#-----
# SECURITYID (continue ILGOP handler)
#-----
.section "SECURITY_ID" --Interrupt handler address 0x70
.word 0x78563412 --0-3 byte code
.word 0xF1DEBC9A --4-7 byte code
.hword 0xD423 --8-9 byte code

```

**Remark** Add the above program example to the startup files.

**25.7 Cautions**

- (1) If a reset signal is input (from the target system or a reset signal from an internal reset source) during RUN (program execution), the break function may malfunction.
- (2) Even if the reset signal is masked by the mask function, the I/O buffer (port pin) may be reset if a reset signal is input from a pin.
- (3) Because a software breakpoint set in the internal flash memory is realized by the ROM correction function, it is made temporarily invalid by target reset or internal reset generated by watchdog timer 2. The breakpoint becomes valid again when a hardware break or forced break occurs, but a software break does not occur until then.
- (4) Pin reset during a break is masked and the CPU and peripheral I/O are not reset. If pin reset or internal reset is generated as soon as the flash memory is rewritten by DMA or read by the RAM monitor function while the user program is being executed, the CPU and peripheral I/O may not be correctly reset.
- (5) In the on-chip debug mode, the DDO pin is forcibly set to the high-level output.

## CHAPTER 26 ELECTRICAL SPECIFICATIONS (TARGET)

### 26.1 Absolute Maximum Ratings

#### Absolute Maximum Ratings ( $T_A = 25^\circ\text{C}$ ) (1/2)

Parameter	Symbol	Conditions	Ratings	Unit
Supply voltage	$V_{DD}$	$V_{DD} = EV_{DD} = BV_{DD}$	-0.5 to +6.5	V
	$BV_{DD}$	$V_{DD} = EV_{DD} = BV_{DD}$	-0.5 to +6.5	V
	$EV_{DD}$	$V_{DD} = EV_{DD} = BV_{DD}$	-0.5 to +6.5	V
	$AV_{REF0}$		-0.5 to +6.5	V
	$V_{SS}$	$V_{SS} = EV_{SS} = BV_{SS} = AV_{SS}$	-0.5 to +0.5	V
	$AV_{SS}$	$V_{SS} = EV_{SS} = BV_{SS} = AV_{SS}$	-0.5 to +0.5	V
	$BV_{SS}$	$V_{SS} = EV_{SS} = BV_{SS} = AV_{SS}$	-0.5 to +0.5	V
	$EV_{SS}$	$V_{SS} = EV_{SS} = BV_{SS} = AV_{SS}$	-0.5 to +0.5	V
Input voltage	$V_{I1}$	P00 to P06, P10, P11, P30 to P39, P40 to P42, P50 to P55, P90 to P915, RESET, FLMD0	-0.5 to $EV_{DD} + 0.5^{\text{Note}}$	V
	$V_{I2}$	PCM0 to PCM3, PCS0, PCS1, PCT0, PCT1, PCT4, PCT6, PDL0 to PDL13	-0.5 to $BV_{DD} + 0.5^{\text{Note}}$	V
	$V_{I3}$	X1, X2, XT1, XT2	-0.5 to $V_{RO} + 0.5^{\text{Note}}$	V
Analog input voltage	$V_{IAN}$	P70 to P715	-0.5 to $AV_{REF0} + 0.5^{\text{Note}}$	V

**Note** Be sure not to exceed the absolute maximum ratings (MAX. value) of each supply voltage.

**Cautions** 1. Avoid direct connections among the IC device output (or I/O) pins and between  $V_{DD}$  or  $V_{CC}$  and GND.

2. Product quality may suffer if the absolute maximum rating is exceeded even momentarily for any parameter. That is, the absolute maximum ratings are rated values at which the product is on the verge of suffering physical damage, and therefore the product must be used under conditions that ensure that the absolute maximum ratings are not exceeded.

The ratings and conditions indicated for DC characteristics and AC characteristics represent the quality assurance range during normal operation.

3. When directly connecting the external circuit to the pin that becomes high impedance state, the timing must be designed such that output conflict is avoided on the external circuit.

**Remark** Unless specified otherwise, the characteristics of alternate-function pins are the same as those of port pins.

**Absolute Maximum Ratings (T<sub>A</sub> = 25°C) (2/2)**

Parameter	Symbol	Conditions	Ratings	Unit	
Output current, low	I <sub>OL</sub>	P00 to P06, P10, P11, P30 to P39, P40 to P42, P50 to P55, P90 to P915	Per pin	4	mA
			Total of all pins	50	mA
		P70 to P715	Per pin	4	mA
			Total of all pins	20	mA
		PCM0 to PCM3, PCS0, PCS1, PCT0, PCT1, PCT4, PCT6, PDL0 to PDL13	Per pin	4	mA
			Total of all pins	50	mA
Output current, high	I <sub>OH</sub>	P00 to P06, P10, P11, P30 to P39, P40 to P42, P50 to P55, P90 to P915	Per pin	-4	mA
			Total of all pins	-50	mA
		P70 to P715	Per pin	-4	mA
			Total of all pins	-20	mA
		PCM0 to PCM3, PCS0, PCS1, PCT0, PCT1, PCT4, PCT6, PDL0 to PDL13	Per pin	-4	mA
			Total of all pins	-50	mA
Operating ambient temperature	T <sub>A</sub>	Normal operation mode	-40 to +85	°C	
		Flash memory programming mode			
Storage temperature	T <sub>stg</sub>		-40 to +125	°C	

- Cautions**
1. Do not directly connect the output (or I/O) pins of IC products to each other, or to V<sub>DD</sub>, V<sub>CC</sub> and GND.
  2. Product quality may suffer if the absolute maximum rating is exceeded even momentarily for any parameter. That is, the absolute maximum ratings are rated values at which the product is on the verge of suffering physical damage, and therefore the product must be used under conditions that ensure that the absolute maximum ratings are not exceeded.  
The ratings and conditions indicated for DC characteristics and AC characteristics represent the quality assurance range during normal operation.
  3. When directly connecting the external circuit to the pin that becomes high impedance state, the timing must be designed such that output conflict is avoided on the external circuit.

**Remark** Unless specified otherwise, the characteristics of alternate-function pins are the same as those of port pins.

## 26.2 Capacitance

( $T_A = 25^\circ\text{C}$ ,  $V_{DD} = EV_{DD} = AV_{REF0} = BV_{DD} = V_{SS} = EV_{SS} = BV_{SS} = AV_{SS} = 0\text{ V}$ )

Parameter	Symbol	Conditions	MIN.	TYP.	MAX.	Unit
I/O capacitance	$C_{IO}$	$f_x = 1\text{ MHz}$ , Unmeasured pins returned to 0 V.			10	pF

## 26.3 Operating Conditions

( $T_A = -40\text{ to }+85^\circ\text{C}$ ,  $V_{DD} = EV_{DD} = BV_{DD} = 3.5\text{ V to }5.5\text{ V}$ ,  $4.0\text{ V} \leq AV_{REF0} \leq 5.5\text{ V}$ ,  $V_{SS} = EV_{SS} = BV_{SS} = AV_{SS} = 0\text{ V}$ )

Parameter	Symbol	Conditions	MIN.	TYP.	MAX.	Unit
Internal system clock frequency	$f_{CLK}$	REGC = 4.7 $\mu\text{F}$ , at operation with main clock	4		20	MHz
		REGC = 4.7 $\mu\text{F}$ , at operation with subclock (crystal resonator)	32		35	kHz
		REGC = 4.7 $\mu\text{F}$ , at operation with subclock (RC resonator)	12.5 <sup>Note</sup>		27.5 <sup>Note</sup>	kHz

**Note** The internal system clock frequency is half the oscillation frequency.



## 26.4 Oscillator Characteristics

### 26.4.1 Main clock oscillator characteristics

( $T_A = -40$  to  $+85^\circ\text{C}$ ,  $V_{DD} = EV_{DD} = BV_{DD} = 3.5\text{ V to }5.5\text{ V}$ ,  $4.0\text{ V} \leq AV_{REF0} \leq 5.5\text{ V}$ ,  $V_{SS} = EV_{SS} = BV_{SS} = AV_{SS} = 0\text{ V}$ )

Resonator	Recommended Circuit	Parameter	Conditions	MIN.	TYP.	MAX.	Unit
Ceramic resonator		Oscillation frequency ( $f_x$ ) <sup>Note 1</sup>		4		5	MHz
		Oscillation stabilization time <sup>Note 2</sup>	After reset release			$2^{16}/f_x$	s
			After STOP mode release	0.5 <sup>Note 3</sup>	<b>Note 4</b>	ms	
Crystal resonator		Oscillation frequency ( $f_x$ ) <sup>Note 1</sup>		4		5	MHz
		Oscillation stabilization time <sup>Note 2</sup>	After reset release			$2^{16}/f_x$	s
			After STOP mode release	0.5 <sup>Note 3</sup>	<b>Note 4</b>	ms	
			After IDLE2 mode release	0.35	<b>Note 4</b>	ms	

**Notes** 1. Indicates only oscillator characteristics.

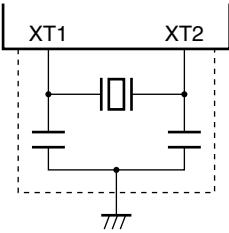
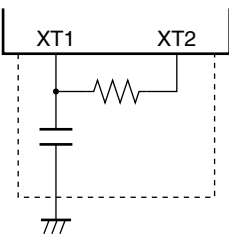
2. Time required to stabilize the crystal resonator after reset or STOP mode is released.
3. Time required to stabilize access to the internal flash memory.
4. The value differs depending on the OSTS register settings.

**Cautions** 1. When using the main clock oscillator, wire as follows in the area enclosed by the broken lines in the above figures to avoid an adverse effect from wiring capacitance.

- Keep the wiring length as short as possible.
  - Do not cross the wiring with the other signal lines.
  - Do not route the wiring near a signal line through which a high fluctuating current flows.
  - Always make the ground point of the oscillator capacitor the same potential as  $V_{SS}$ .
  - Do not ground the capacitor to a ground pattern through which a high current flows.
  - Do not fetch signals from the oscillator.
2. When the main clock is stopped and the subclock is operating, wait until the oscillation stabilization time has been secured by the program before switching back to the main clock.

## 26.4.2 Subclock oscillator characteristics

(T<sub>A</sub> = -40 to +85°C, V<sub>DD</sub> = EV<sub>DD</sub> = BV<sub>DD</sub> = 3.5 V to 5.5 V, 4.0 V ≤ AV<sub>REF0</sub> ≤ 5.5 V, V<sub>SS</sub> = EV<sub>SS</sub> = BV<sub>SS</sub> = AV<sub>SS</sub> = 0 V)

Resonator	Recommended Circuit	Parameter	Conditions	MIN.	TYP.	MAX.	Unit
Crystal resonator		Oscillation frequency (f <sub>XT</sub> ) <sup>Note 1</sup>		32	32.768	35	kHz
		Oscillation stabilization time <sup>Note 2</sup>				10	s
RC resonator		Oscillation frequency (f <sub>XT</sub> ) <sup>Notes 1, 4</sup>	R = 390 kΩ ±5% <sup>Note 3</sup> C = 47 pF ±10% <sup>Note 3</sup>	25	40	55	kHz
		Oscillation stabilization time <sup>Note 2</sup>				100	μs

- Notes**
1. Indicates only oscillator characteristics. For the CPU operation clock, see **26.8 AC Characteristics**.
  2. Time required from when V<sub>DD</sub> reaches oscillation voltage range (MIN.: 3.5 V) to when the crystal resonator stabilizes.
  3. To avoid an adverse effect from wiring capacitance, keep the wiring length as short as possible.
  4. RC oscillation frequency is 40 kHz (TYP.). This clock is internally divided by 2. In the case of the RC resonator, the internal system clock frequency is half the oscillation frequency: MIN. = 12.5 kHz, TYP. = 20 kHz, MAX. = 27.5 kHz.

**Cautions**

1. When using the subclock oscillator, wire as follows in the area enclosed by the broken lines in the above figures to avoid an adverse effect from wiring capacitance.

- Keep the wiring length as short as possible.
  - Do not cross the wiring with the other signal lines.
  - Do not route the wiring near a signal line through which a high fluctuating current flows.
  - Always make the ground point of the oscillator capacitor the same potential as V<sub>SS</sub>.
  - Do not ground the capacitor to a ground pattern through which a high current flows.
  - Do not fetch signals from the oscillator.
2. The subclock oscillator is designed as a low-amplitude circuit for reducing current consumption, and is more prone to malfunction due to noise than the main clock oscillator. Particular care is therefore required with the wiring method when the subclock is used.

## 26.4.3 PLL characteristics

(T<sub>A</sub> = -40 to +85°C, V<sub>DD</sub> = E<sub>VDD</sub> = B<sub>VDD</sub> = 3.5 V to 5.5 V, 4.0 V ≤ A<sub>VREF0</sub> ≤ 5.5 V, V<sub>SS</sub> = E<sub>VSS</sub> = B<sub>VSS</sub> = A<sub>VSS</sub> = 0 V)

Parameter	Symbol	Conditions	MIN.	TYP.	MAX.	Unit
Input frequency	f <sub>x</sub>		4		5	MHz
Output frequency	f <sub>xx</sub>		16		20	MHz
Lock time	t <sub>PLL</sub>	After V <sub>DD</sub> reaches MIN.: 3.5 V			800	μs

## 26.4.4 Internal oscillator characteristics

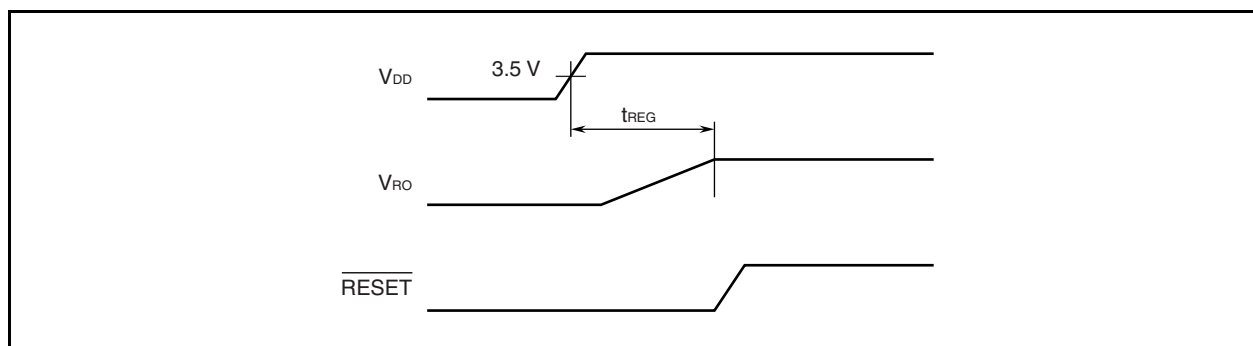
(T<sub>A</sub> = -40 to +85°C, V<sub>DD</sub> = E<sub>VDD</sub> = B<sub>VDD</sub> = 3.5 V to 5.5 V, 4.0 V ≤ A<sub>VREF0</sub> ≤ 5.5 V, V<sub>SS</sub> = E<sub>VSS</sub> = B<sub>VSS</sub> = A<sub>VSS</sub> = 0 V)

Parameter	Symbol	Conditions	MIN.	TYP.	MAX.	Unit
Output frequency	f <sub>r</sub>		100	200	400	kHz

## 26.5 Voltage Regulator Characteristics

(T<sub>A</sub> = -40 to +85°C, V<sub>DD</sub> = E<sub>VDD</sub> = B<sub>VDD</sub>, V<sub>SS</sub> = E<sub>VSS</sub> = B<sub>VSS</sub> = A<sub>VSS</sub> = 0 V)

Parameter	Symbol	Conditions	MIN.	TYP.	MAX.	Unit
Input frequency	V <sub>DD</sub>		3.5		5.5	V
Output frequency	V <sub>RO</sub>			2.5		V
Lock time	t <sub>REG</sub>	After V <sub>DD</sub> reaches MIN.: 3.5 V, C = 4.7 μF ±20% connected to REGC pin			1	ms



## 26.6 DC Characteristics

### 26.6.1 I/O level

( $T_A = -40$  to  $+85^\circ\text{C}$ ,  $V_{DD} = EV_{DD} = BV_{DD} = 3.5\text{ V to }5.5\text{ V}$ ,  $4.0\text{ V} \leq AV_{REF0} \leq 5.5\text{ V}$ ,  $V_{SS} = EV_{SS} = BV_{SS} = AV_{SS} = 0\text{ V}$ )

(1/2)

Parameter	Symbol	Conditions	MIN.	TYP.	MAX.	Unit
Input voltage, high	$V_{IH1}$	P30, P34, P36 to P38, P41, P98, P911	$0.7EV_{DD}$		$EV_{DD}$	V
	$V_{IH2}$	P00 to P06, P10, P11, P31 to P33, P35, P39, P40, P42, P50 to P55, P90 to P97, P99, P910, P912 to P915	$0.8EV_{DD}$		$EV_{DD}$	V
	$V_{IH3}$	PCM0 to PCM3, PCS0, PCS1, PCT0, PCT1, PCT4, PCT6, PDL0 to PDL13	$0.7BV_{DD}$		$BV_{DD}$	V
	$V_{IH4}$	P70 to P715	$0.7AV_{REF0}$		$AV_{REF0}$	V
	$V_{IH5}$	$\overline{\text{RESET}}$ , FLMD0	$0.8EV_{DD}$		$EV_{DD}$	V
Input voltage, low	$V_{IL1}$	P30, P34, P36 to P38, P41, P98, P911	$EV_{SS}$		$0.3EV_{DD}$	V
	$V_{IL2}$	P00 to P06, P10, P11, P31 to P33, P35, P39, P40, P42, P50 to P55, P90 to P97, P99, P910, P912 to P915	$EV_{SS}$		$0.2EV_{DD}$	V
	$V_{IL3}$	PCM0 to PCM3, PCS0, PCS1, PCT0, PCT1, PCT4, PCT6, PDL0 to PDL13	$BV_{SS}$		$0.3BV_{DD}$	V
	$V_{IL4}$	P70 to P715	$AV_{SS}$		$0.3AV_{REF0}$	V
	$V_{IL5}$	$\overline{\text{RESET}}$ , FLMD0	$EV_{SS}$		$0.2EV_{DD}$	V

**Remark** Unless specified otherwise, the characteristics of alternate-function pins are the same as those of port pins.

( $T_A = -40$  to  $+85^\circ\text{C}$ ,  $V_{DD} = EV_{DD} = BV_{DD} = 3.5$  V to  $5.5$  V,  $4.0$  V  $\leq AV_{REF0} \leq 5.5$  V,  $V_{SS} = EV_{SS} = BV_{SS} = AV_{SS} = 0$  V)

(2/2)

Parameter	Symbol	Conditions	MIN.	TYP.	MAX.	Unit	
Output voltage, high <sup>Note 1</sup>	V <sub>OH1</sub>	P00 to P06, P10, P11, P30 to P39, P40 to P42, P50 to P55, P90 to P915	I <sub>OH</sub> = -1.0 mA	EV <sub>DD</sub> - 1.0		EV <sub>DD</sub>	V
			I <sub>OH</sub> = -0.1 mA	EV <sub>DD</sub> - 0.5		EV <sub>DD</sub>	V
	V <sub>OH2</sub>	PCM0 to PCM3, PCS0, PCS1, PCT0, PCT1, PCT4, PCT6, PDL0 to PDL13	I <sub>OH</sub> = -1.0 mA	BV <sub>DD</sub> - 1.0		BV <sub>DD</sub>	V
			I <sub>OH</sub> = -0.1 mA	BV <sub>DD</sub> - 0.5		BV <sub>DD</sub>	V
	V <sub>OH3</sub>	P70 to P715	I <sub>OH</sub> = -1.0 mA	AV <sub>REF0</sub> - 1.0		AV <sub>REF0</sub>	V
			I <sub>OH</sub> = -0.1 mA	AV <sub>REF0</sub> - 0.5		AV <sub>REF0</sub>	V
Output voltage, low <sup>Note 1</sup>	V <sub>OL1</sub>	P00 to P06, P10, P11, P30 to P39, P40 to P42, P50 to P55, P90 to P915	I <sub>OL</sub> = 1.0 mA	0		0.4	V
	V <sub>OL2</sub>	PCM0 to PCM3, PCS0, PCS1, PCT0, PCT1, PCT4, PCT6, PDL0 to PDL13	I <sub>OL</sub> = 1.0 mA	0		0.4	V
	V <sub>OL3</sub>	P70 to P715	I <sub>OL</sub> = 1.0 mA	0		0.4	V
Pull-up resistor	R <sub>1</sub>	V <sub>I</sub> = 0 V		10	30	100	k $\Omega$
Pull-down resistor <sup>Note 2</sup>	R <sub>2</sub>	V <sub>I</sub> = V <sub>DD</sub>		10	30	100	k $\Omega$

- Notes**
- The maximum value of the total of I<sub>OH</sub>/I<sub>OL</sub> is 20 mA/-20 mA for each power supply (EV<sub>DD</sub>, BV<sub>DD</sub>, AV<sub>REF0</sub>).
  - DRST pin only

**Remark** Unless specified otherwise, the characteristics of alternate-function pins are the same as those of port pins.

### 26.6.2 Pin leakage current

( $T_A = -40$  to  $+85^\circ\text{C}$ ,  $V_{DD} = EV_{DD} = BV_{DD} = 3.5$  V to  $5.5$  V,  $4.0$  V  $\leq AV_{REF0} \leq 5.5$  V,  $V_{SS} = EV_{SS} = BV_{SS} = AV_{SS} = 0$  V)

Parameter	Symbol	Conditions	MIN.	TYP.	MAX.	Unit
Input leakage current, high	I <sub>LIH1</sub>	V <sub>IN</sub> = V <sub>DD</sub>	Analog pin		+0.2	$\mu\text{A}$
			Other than analog pin		+0.5	
Input leakage current, low	I <sub>LIL1</sub>	V <sub>IN</sub> = 0 V	Analog pin		-0.2	$\mu\text{A}$
			Other than analog pin		-0.5	
Output leakage current, high	I <sub>LOH1</sub>	V <sub>O</sub> = V <sub>DD</sub>	Analog pin		+0.2	$\mu\text{A}$
			Other than analog pin		+0.5	
Output leakage current, low	I <sub>LOL1</sub>	V <sub>O</sub> = 0 V	Analog pin		-0.2	$\mu\text{A}$
			Other than analog pin		-0.5	

**Caution** The value of the FLMD0 pin is as follows.

- Input leakage current, high: 2  $\mu\text{A}$  (MAX.)
- Input leakage current, low: -2  $\mu\text{A}$  (MAX.)

## 26.6.3 Supply current

(T<sub>A</sub> = -40 to +85°C, V<sub>DD</sub> = EV<sub>DD</sub> = BV<sub>DD</sub> = 3.5 V to 5.5 V, 4.0 V ≤ AV<sub>REF0</sub> ≤ 5.5 V, V<sub>SS</sub> = EV<sub>SS</sub> = BV<sub>SS</sub> = AV<sub>SS</sub> = 0 V)

Parameter	Symbol	Conditions		MIN.	TYP.	MAX.	Unit	
Supply current <sup>Note 1</sup>	I <sub>DD1</sub>	Normal operation mode	f <sub>XX</sub> = 20 MHz (f <sub>X</sub> = 5 MHz)	All peripheral function operating		30	45	mA
				All peripheral function stopped		23		mA
	I <sub>DD2</sub>	HALT mode	f <sub>XX</sub> = 20 MHz (f <sub>X</sub> = 5 MHz)	All peripheral function operating		18	28	mA
				All peripheral function stopped		11		mA
	I <sub>DD3</sub>	IDLE1 mode	f <sub>XX</sub> = 5 MHz (f <sub>X</sub> = 5 MHz), PLL off			0.6	0.9	mA
	I <sub>DD4</sub>	IDLE2 mode	f <sub>XX</sub> = 5 MHz (f <sub>X</sub> = 5 MHz), PLL off			0.25	0.7	mA
	I <sub>DD5</sub>	Subclock operation mode <sup>Notes 2, 3</sup>	Crystal resonator (f <sub>XT</sub> = 32.768 kHz)			200	400	μA
			RC resonator (f <sub>XT</sub> = 40 kHz <sup>Note 4</sup> )			200	400	μA
	I <sub>DD6</sub>	Sub-IDLE mode <sup>Notes 2, 3</sup>	Crystal resonator (f <sub>XT</sub> = 32.768 kHz)			20	120	μA
			RC resonator (f <sub>XT</sub> = 40 kHz <sup>Note 4</sup> )			35	140	μA
I <sub>DD7</sub>	Stop mode <sup>Notes 2, 5</sup>	POC stopped, internal oscillator stopped			7	50	μA	
		POC operating, internal oscillator stopped			10	55	μA	
		POC stopped, internal oscillator operating			15	65	μA	
		POC operating, internal oscillator operating			18	70	μA	

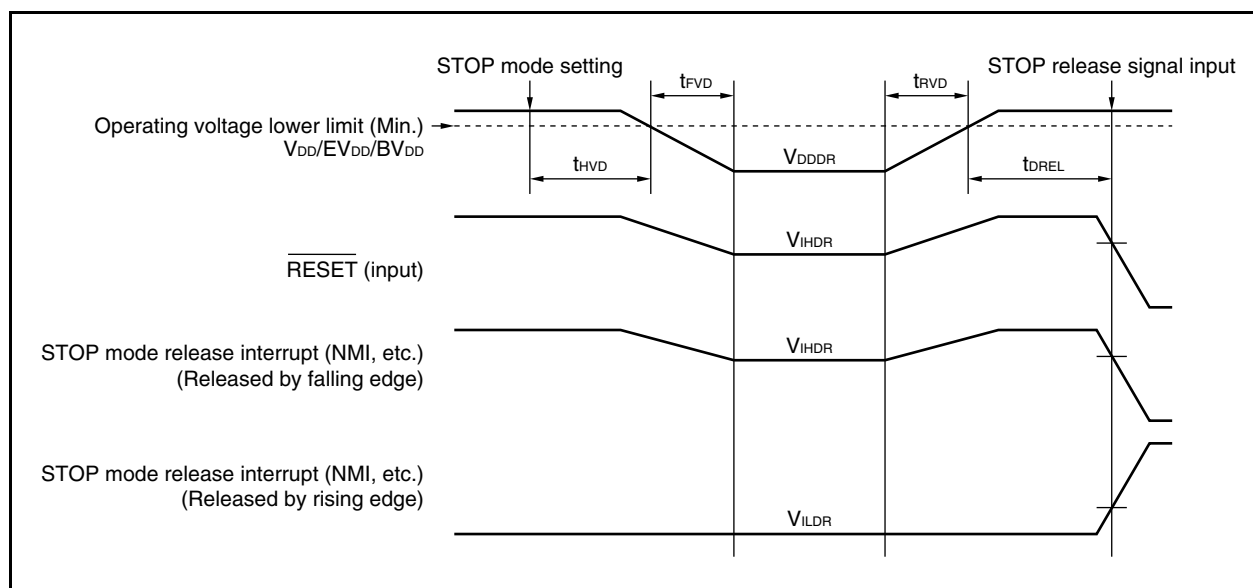
- Notes**
- Total current of V<sub>DD</sub>, EV<sub>DD</sub>, and BV<sub>DD</sub> (all ports stopped). The current of AV<sub>REF0</sub> and the port buffer current including the current flowing through the on-chip pull-up/pull-down resistors are not included.
  - When the main clock oscillation is stopped.
  - POC operating, internal oscillator operating.
  - The RC oscillation frequency is 40 kHz (TYP.). This clock is internally divided by 2.
  - When the subclock oscillation is not used.

## 26.7 Data Retention Characteristics

**STOP Mode ( $T_A = -40$  to  $+85^\circ\text{C}$ ,  $V_{DD} = EV_{DD} = BV_{DD} = 1.9$  V to  $5.5$  V,  $V_{SS} = EV_{SS} = BV_{SS} = AV_{SS} = 0$  V)**

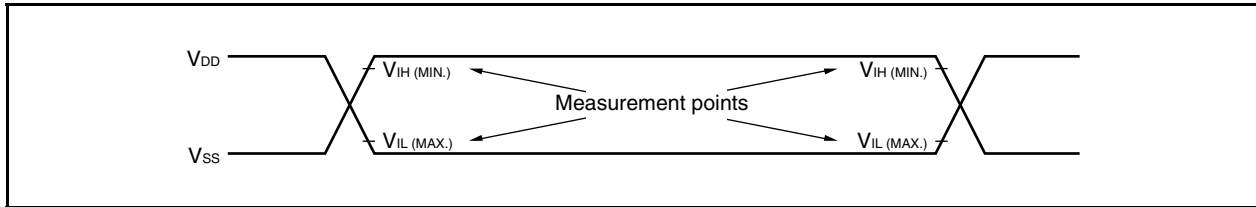
Parameter	Symbol	Conditions	MIN.	TYP.	MAX.	Unit
Data retention voltage	$V_{DDDR}$	In STOP mode	1.9		5.5	V
Data retention current	$I_{DDDR}$	$V_{DDDR} = 2.0$ V		6	45	$\mu\text{A}$
Supply voltage rise time	$t_{RVDD}$		1			$\mu\text{s}$
Supply voltage fall time	$t_{FVDD}$		1			$\mu\text{s}$
Supply voltage retention time	$t_{HVD}$	After STOP mode release	0			ms
STOP release signal input time	$t_{DREL}$	After $V_{DD}$ reaches MIN.: 3.5 V	0			ms
Data retention input voltage, high	$V_{IHDR}$	All input ports	$0.9V_{DDDR}$		$V_{DDDR}$	V
Data retention input voltage, low	$V_{ILDR}$	All input ports	0		$0.1V_{DDDR}$	V

**Caution** Shifting to STOP mode and restoring from STOP mode must be performed within the rated operating range.

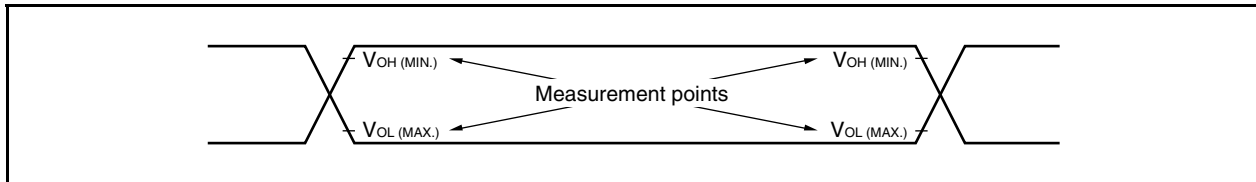


## 26.8 AC Characteristics

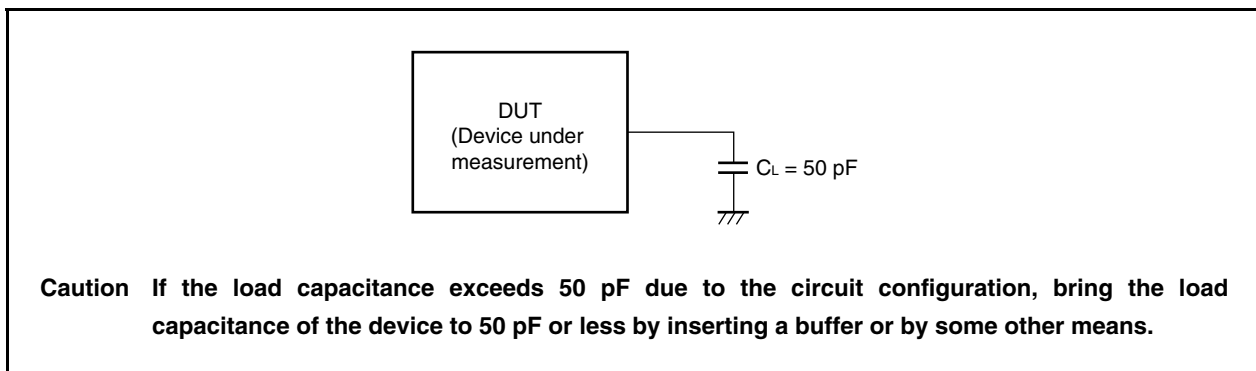
### (1) AC test input measurement points ( $V_{DD}$ , $AV_{REF0}$ , $EV_{DD}$ , $BV_{DD}$ )



### (2) AC test output measurement points



### (3) Load conditions



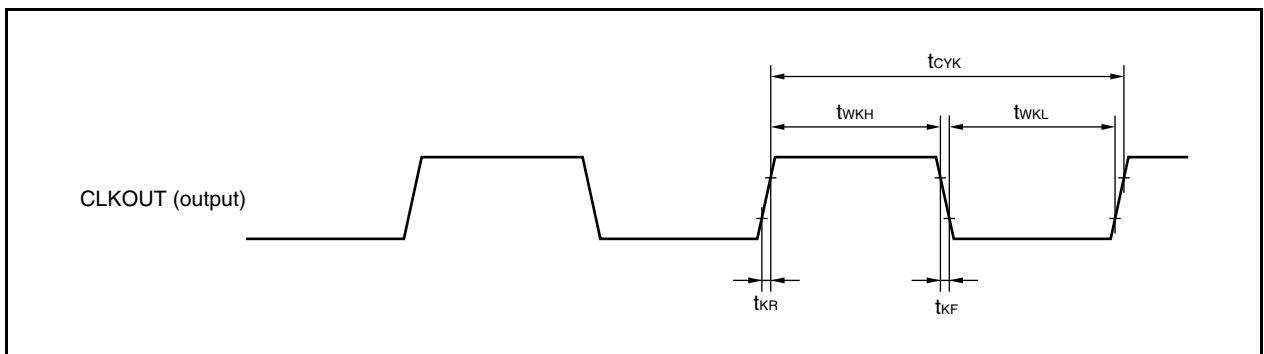


## 26.8.1 CLKOUT output timing

( $T_A = -40$  to  $+85^\circ\text{C}$ ,  $V_{DD} = EV_{DD} = BV_{DD} = 3.5$  V to  $5.5$  V,  $4.0$  V  $\leq AV_{REF0} \leq 5.5$  V,  $V_{SS} = EV_{SS} = BV_{SS} = AV_{SS} = 0$  V,  $C_L = 50$  pF)

Parameter	Symbol	Conditions	MIN.	MAX.	Unit
Output cycle	$t_{CYK}$		50 ns	80 $\mu\text{s}$	
High-level width	$t_{WKH}$		$t_{CYK}/2 - 15$		ns
Low-level width	$t_{WKL}$		$t_{CYK}/2 - 15$		ns
Rise time	$t_{KR}$			15	ns
Fall time	$t_{KF}$			15	ns

## Clock Timing



## 26.9 Basic Operation

### (1) Reset, interrupt timing

( $T_A = -40$  to  $+85^\circ\text{C}$ ,  $V_{DD} = EV_{DD} = BV_{DD} = 3.5$  V to  $5.5$  V,  $4.0$  V  $\leq$   $AV_{REF0} \leq 5.5$  V,  $V_{SS} = EV_{SS} = BV_{SS} = AV_{SS} = 0$  V,  $C_L = 50$  pF)

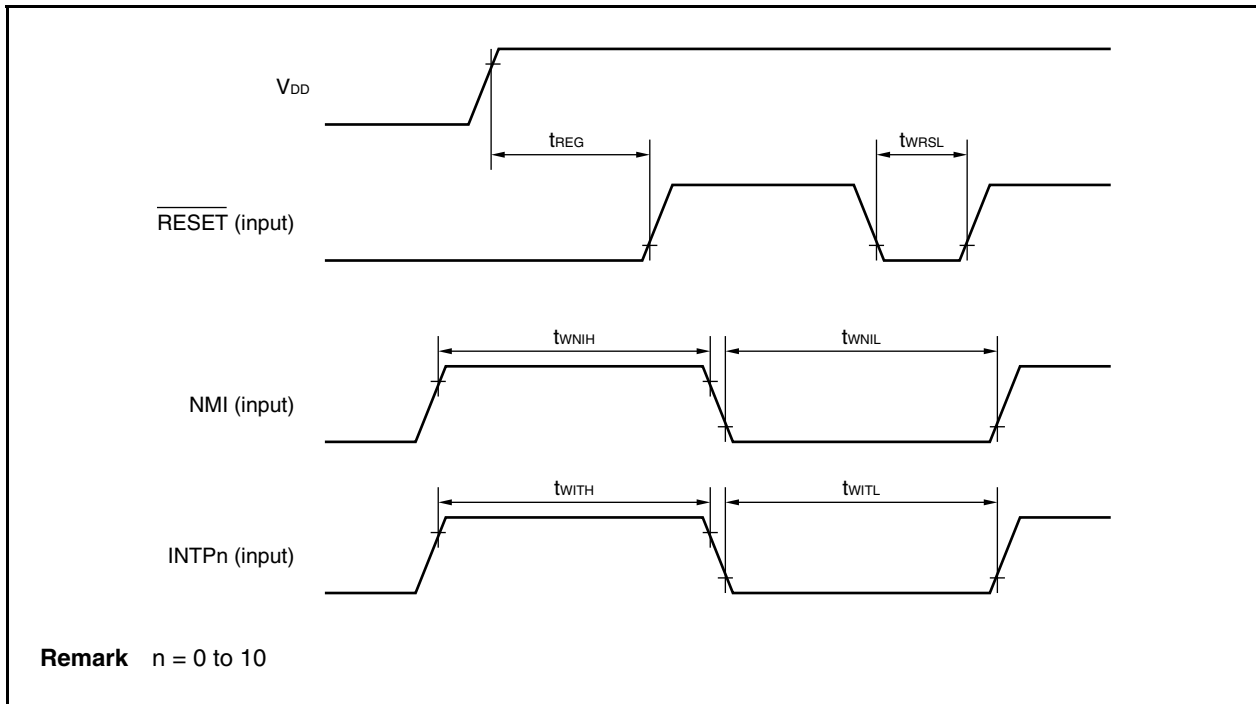
Parameter	Symbol	Conditions	MIN.	MAX.	Unit
RESET low-level width	$t_{WRSL}$		500		ns
NMI high-level width	$t_{WNIH}$	Analog noise elimination	500		ns
NMI low-level width	$t_{WNIL}$	Analog noise elimination	500		ns
INTPn <sup>Note 1</sup> high-level width	$t_{WITH}$	Analog noise elimination (n = 0 to 10)	500		ns
		Digital noise elimination (n = 3)	<b>Note 2</b>		ns
INTPn <sup>Note 1</sup> low-level width	$t_{WITL}$	Analog noise elimination (n = 0 to 10)	500		ns
		Digital noise elimination (n = 3)	<b>Note 2</b>		ns

**Notes** 1. The same value as the INTP0/P03 pin applies in the case of the ADTRG pin. The same value as the INTP2/P05 pin applies in the case of the  $\overline{DRST}$  pin.

2.  $2T_{\text{samp}} + 20$  or  $3T_{\text{samp}} + 20$

$T_{\text{samp}}$ : Sampling clock for noise elimination

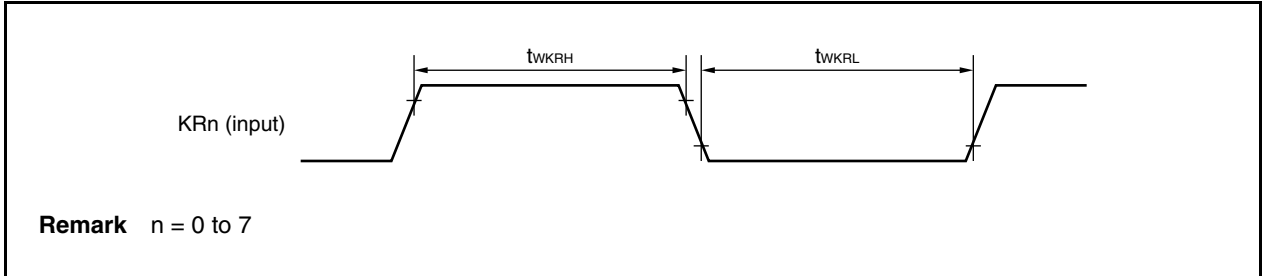
### Reset/Interrupt



(2) Key interrupt timing

( $T_A = -40$  to  $+85^\circ\text{C}$ ,  $V_{DD} = EV_{DD} = BV_{DD} = 3.5$  V to  $5.5$  V,  $4.0$  V  $\leq AV_{REF0} \leq 5.5$  V,  $V_{SS} = EV_{SS} = BV_{SS} = AV_{SS} = 0$  V,  $C_L = 50$  pF)

Parameter	Symbol	Conditions	MIN.	MAX.	Unit
KRn input high-level width	$t_{WKRH}$	Analog noise elimination (n = 0 to 7)	500		ns
KRn input low-level width	$t_{WKRL}$		500		ns

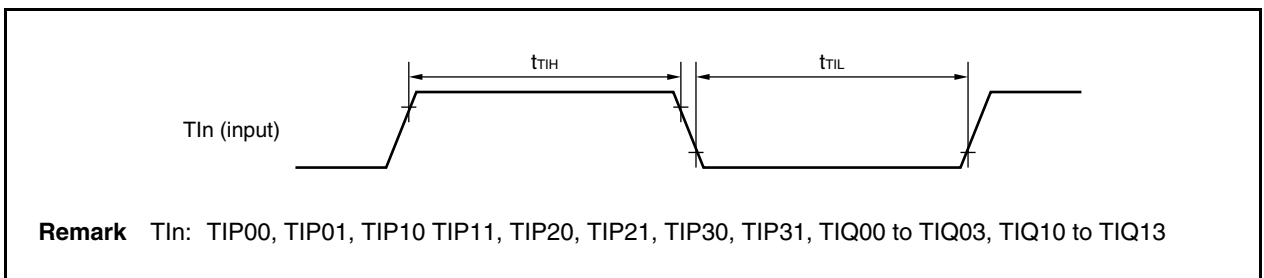


(3) Timer input timing

( $T_A = -40$  to  $+85^\circ\text{C}$ ,  $V_{DD} = EV_{DD} = BV_{DD} = 3.5$  V to  $5.5$  V,  $4.0$  V  $\leq AV_{REF0} \leq 5.5$  V,  $V_{SS} = EV_{SS} = BV_{SS} = AV_{SS} = 0$  V,  $C_L = 50$  pF)

Parameter	Symbol	Conditions	MIN.	MAX.	Unit
TIn high-level width	$t_{TIH}$	TIP00, TIP01, TIP10, TIP11, TIP20, TIP21, TIP30, TIP31,	<b>Note 2</b>		ns
TIn low-level width	$t_{TIL}$	TIQ00 to TIQ03, TIQ10 to TIQ13			

- Notes**
- Noise on the TIP00, TIP10, TIP20, TIP30, TIQ00, and TIQ10 pins can be eliminated only when a capture signal is input.  
The noise cannot be eliminated when an external trigger signal or an external event counter signal is input.
  - $2T_{\text{samp}} + 20$  or  $3T_{\text{samp}} + 20$   
 $T_{\text{samp}}$ : Sampling clock for noise elimination



**(4) CSIB timing****(a) Master mode**

( $T_A = -40$  to  $+85^\circ\text{C}$ ,  $V_{DD} = EV_{DD} = BV_{DD} = 3.5$  V to  $5.5$  V,  $4.0$  V  $\leq AV_{REF0} \leq 5.5$  V,  $V_{SS} = EV_{SS} = BV_{SS} = AV_{SS} = 0$  V,  $C_L = 50$  pF)

Parameter	Symbol	Conditions	MIN.	MAX.	Unit
$\overline{\text{SCKBn}}$ cycle time	$t_{KCYn}$		125		ns
$\overline{\text{SCKBn}}$ high-level width	$t_{KHn}$		$t_{KCYn}/2 - 15$		ns
$\overline{\text{SCKBn}}$ low-level width	$t_{KLn}$		$t_{KCYn}/2 - 15$		ns
SIBn setup time (to $\overline{\text{SCKBn}}\uparrow$ )	$t_{SIKn}$		30		ns
SIBn hold time (from $\overline{\text{SCKBn}}\uparrow$ )	$t_{SIn}$		25		ns
Output delay time from $\overline{\text{SCKBn}}\downarrow$ to SOBn	$t_{KSO n}$			25	ns

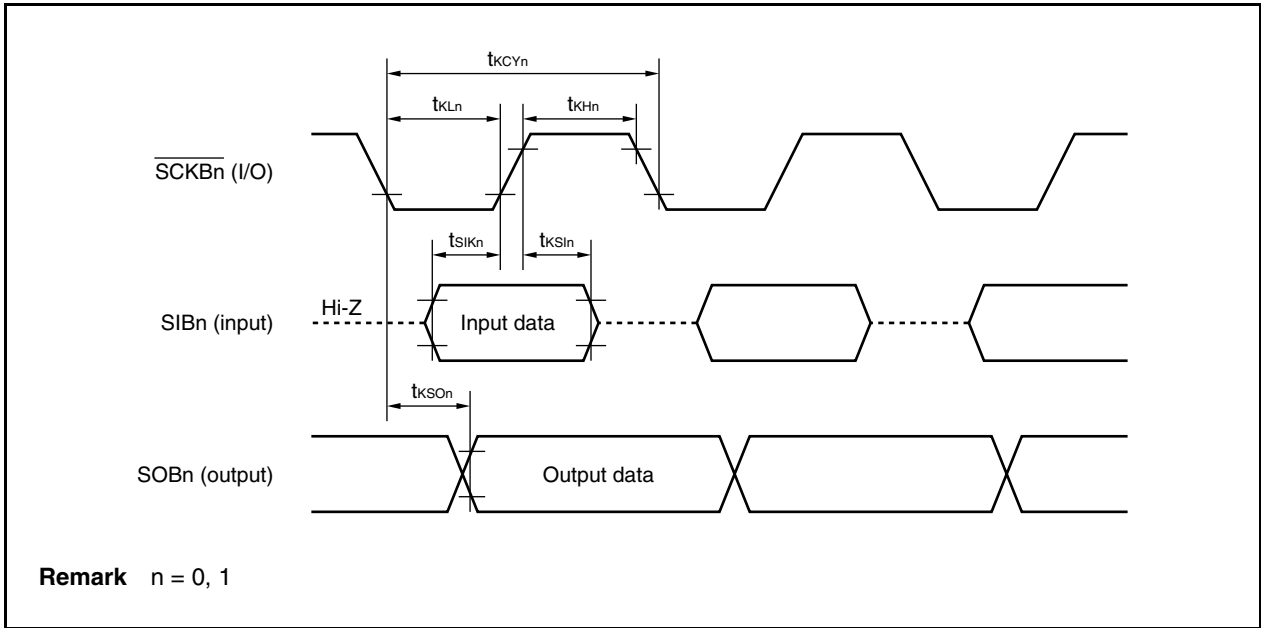
**Remark**  $n = 0, 1$

**(b) Slave mode**

( $T_A = -40$  to  $+85^\circ\text{C}$ ,  $V_{DD} = EV_{DD} = BV_{DD} = 3.5$  V to  $5.5$  V,  $4.0$  V  $\leq AV_{REF0} \leq 5.5$  V,  $V_{SS} = EV_{SS} = BV_{SS} = AV_{SS} = 0$  V,  $C_L = 50$  pF)

Parameter	Symbol	Conditions	MIN.	MAX.	Unit
$\overline{\text{SCKBn}}$ cycle time	$t_{KCYn}$		200		ns
$\overline{\text{SCKBn}}$ high-level width	$t_{KHn}$		90		ns
$\overline{\text{SCKBn}}$ low-level width	$t_{KLn}$		90		ns
SIBn setup time (to $\overline{\text{SCKBn}}\uparrow$ )	$t_{SIKn}$		50		ns
SIBn hold time (from $\overline{\text{SCKBn}}\uparrow$ )	$t_{SIn}$		50		ns
Output delay time from $\overline{\text{SCKBn}}\downarrow$ to SOBn	$t_{KSO n}$			50	ns

**Remark**  $n = 0, 1$



**(5) UARTA timing**

( $T_A = -40$  to  $+85^\circ\text{C}$ ,  $V_{DD} = EV_{DD} = BV_{DD} = 3.5$  V to  $5.5$  V,  $4.0$  V  $\leq AV_{REF0} \leq 5.5$  V,  $V_{SS} = EV_{SS} = BV_{SS} = AV_{SS} = 0$  V,  $C_L = 50$  pF)

Parameter	Symbol	Conditions	MIN.	MAX.	Unit
Communication rate				312.5	kbps
ASCK0 cycle time				10	MHz

**(6) A/D converter**

( $T_A = -40$  to  $+85^\circ\text{C}$ ,  $V_{DD} = EV_{DD} = BV_{DD} = 3.5$  V to  $5.5$  V,  $4.0$  V  $\leq AV_{REF0} \leq 5.5$  V,  $V_{SS} = EV_{SS} = BV_{SS} = AV_{SS} = 0$  V,  $C_L = 50$  pF)

Parameter	Symbol	Conditions	MIN.	TYP.	MAX.	Unit
Resolution					10	bit
Overall error <sup>Note</sup>		$4.0 \leq AV_{REF0} \leq 5.5$ V		$\pm 0.15$	$\pm 0.3$	%FSR
Conversion time	$t_{CONV}$		3.1		16	$\mu\text{s}$
Analog input voltage	$V_{IAN}$		$AV_{SS}$		$AV_{REF0}$	V
$AV_{REF0}$ current	$I_{AREF0}$	When using A/D converter		5	10	mA
		When not using A/D converter		1	10	$\mu\text{A}$

**Note** Excluding quantization error ( $\pm 0.05$  %FSR). Indicates the ratio to the full-scale value (%FSR).

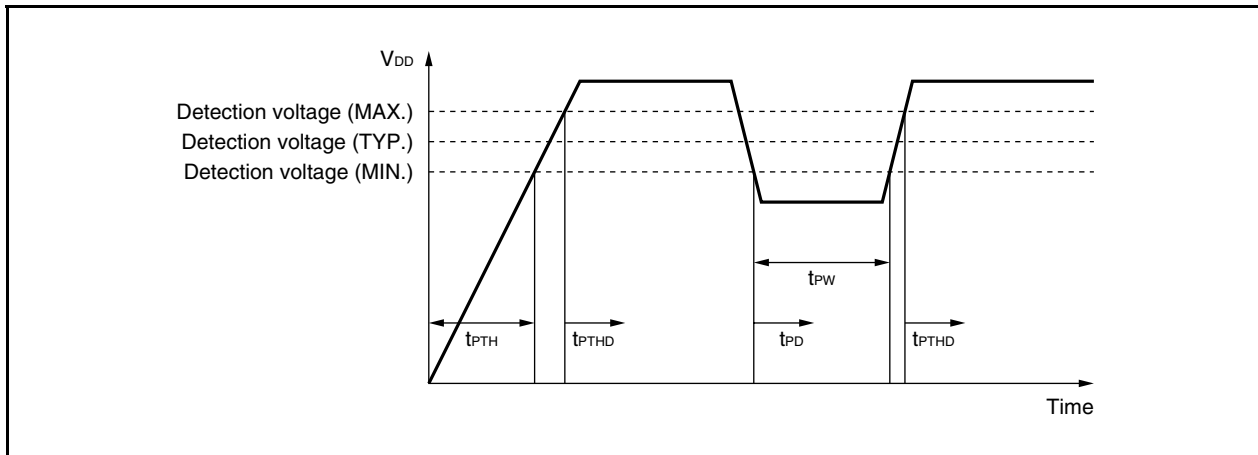
**Remark** FSR: Full Scale Range

(7) POC circuit characteristics

( $T_A = -40$  to  $+85^\circ\text{C}$ ,  $V_{DD} = EV_{DD} = BV_{DD} = 3.5$  V to  $5.5$  V,  $4.0$  V  $\leq AV_{REF0} \leq 5.5$  V,  $V_{SS} = EV_{SS} = BV_{SS} = AV_{SS} = 0$  V,  $C_L = 50$  pF)

Parameter	Symbol	Conditions	MIN.	TYP.	MAX.	Unit
Detection voltage	$V_{POCO}$		3.5	3.7	3.9	V
Power supply startup time	$t_{PTH}$	$V_{DD} = 0$ V $\rightarrow$ 3.5 V	0.002			ms
Response delay time 1 <sup>Note 1</sup>	$t_{PTHD}$	After $V_{DD}$ reaches 3.9 V on power application			3.0	ms
Response delay time 2 <sup>Note 2</sup>	$t_{PD}$	After $V_{DD}$ drops below 3.5 V on power drop			1	ms
Minimum $V_{DD}$ width	$t_{PW}$		0.2			ms

- Notes**
1. The time required to release a reset after the detection voltage is detected.
  2. The time required to output a reset after the detection voltage is detected.

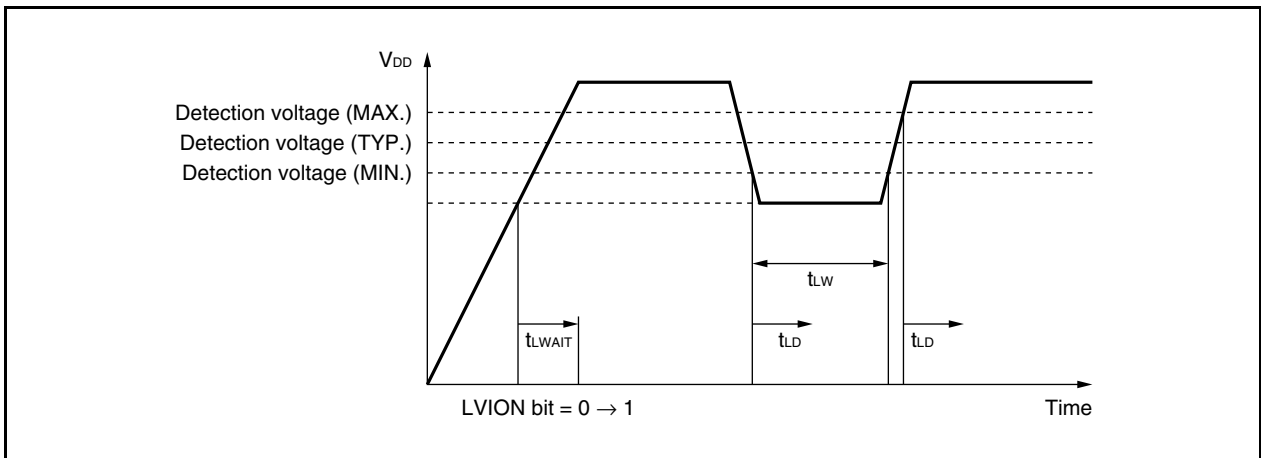


(8) LVI circuit characteristics

( $T_A = -40$  to  $+85^\circ\text{C}$ ,  $V_{DD} = EV_{DD} = BV_{DD} = 3.5$  V to  $5.5$  V,  $4.0$  V  $\leq AV_{REF0} \leq 5.5$  V,  $V_{SS} = EV_{SS} = BV_{SS} = AV_{SS} = 0$  V,  $C_L = 50$  pF)

Parameter	Symbol	Conditions	MIN.	TYP.	MAX.	Unit
Detection voltage	$V_{LV10}$		4.2	4.4	4.6	V
	$V_{LV11}$		4.0	4.2	4.4	V
Response time <sup>Note 1</sup>	$t_{LD}$	After $V_{DD}$ reaches $V_{LV10}/V_{LV11}$ (MAX.) or drops below $V_{LV10}/V_{LV11}$ (MIN.)		0.2	2	ms
Minimum $V_{DD}$ width	$t_{LW}$		0.2			ms
Reference voltage stabilization wait time <sup>Note 2</sup>	$t_{LWAIT}$	After $V_{DD}$ reaches 3.5 V or LVION bit (LVIM.bit7) changes from 0 to 1		0.1	0.2	ms

- Notes**
1. The time required to output an interrupt/reset after the detection voltage is detected.
  2. Unnecessary when the POC function is used.

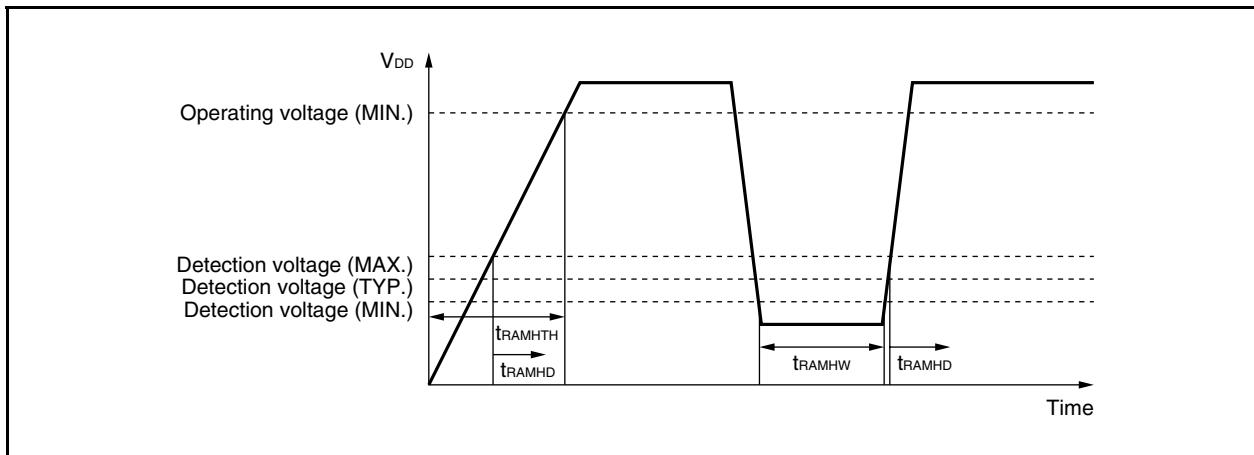


(9) RAM retention flag characteristics

( $T_A = -40$  to  $+85^\circ\text{C}$ ,  $V_{DD} = EV_{DD} = BV_{DD} = 3.5$  V to  $5.5$  V,  $4.0$  V  $\leq AV_{REF0} \leq 5.5$  V,  $V_{SS} = EV_{SS} = BV_{SS} = AV_{SS} = 0$  V,  $C_L = 50$  pF)

Parameter	Symbol	Conditions	MIN.	TYP.	MAX.	Unit
Detection voltage	$V_{RAMH}$		1.9	2.0	2.1	V
Supply voltage rise time	$t_{RAMHTH}$	$V_{DD} = 0$ V $\rightarrow$ 3.5 V	0.002		1800	ms
Response time <sup>Note</sup>	$t_{RAMHD}$	After the supply voltage reaches the detection voltage (MAX.)		0.2	2.0	ms
Minimum $V_{DD}$ width	$t_{RAMHW}$		0.2			ms

**Note** Time required to set the RAMF bit after the detection voltage is detected.





### 26.10 Flash Memory Programming Characteristics

#### (1) Basic characteristics

( $T_A = -40$  to  $+85^\circ\text{C}$ ,  $V_{DD} = EV_{DD} = BV_{DD} = 3.5\text{ V to }5.5\text{ V}$ ,  $4.0\text{ V} \leq AV_{REF0} \leq 5.5\text{ V}$ ,  $V_{SS} = EV_{SS} = BV_{SS} = AV_{SS} = 0\text{ V}$ ,  $C_L = 50\text{ pF}$ )

Parameter	Symbol	Conditions	MIN.	TYP.	MAX.	Unit
Operating frequency	$f_{CPU}$		4		20	MHz
Supply voltage	$V_{DD}$		3.5		5.5	V
Number of writes	$C_{WRT}^{Note}$				100	Times
Input voltage, high	$V_{IH}$	FLMD0	$0.8EV_{DD}$		$EV_{DD}$	V
Input voltage, low	$V_{IL}$	FLMD0	$EV_{SS}$		$0.2EV_{SS}$	V
Write time + erase time	$t_{IWRT} + t_{ERASE}$				TBD	s
Programming temperature	$t_{PRG}$		-40		+85	$^\circ\text{C}$

**Note** When writing initially to shipped products, it is counted as one rewrite for both “erase to write” and “write only”.

**Example** (P: Write, E: Erase)

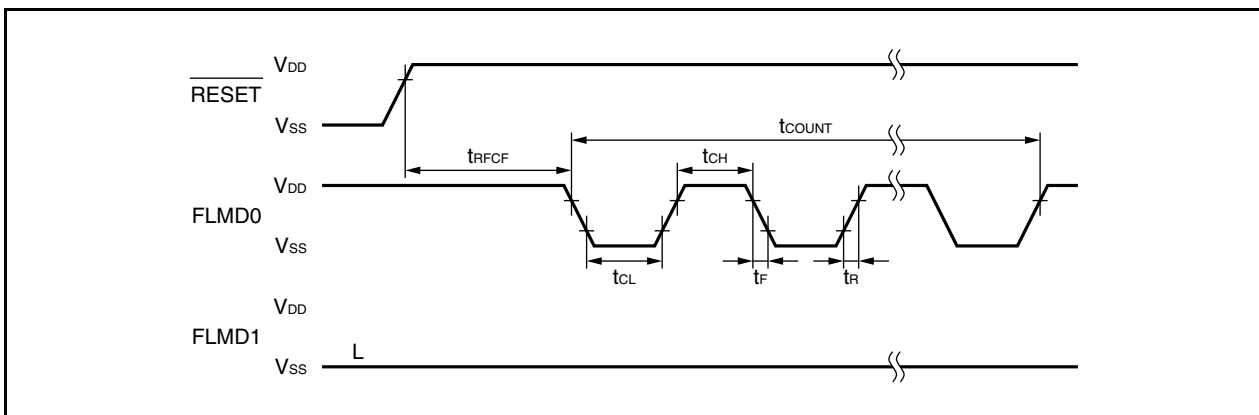
Shipped product → P → E → P → E → P: 3 rewrites

Shipped product → E → P → E → P → E → P: 3 rewrites

#### (2) Serial write operation characteristics

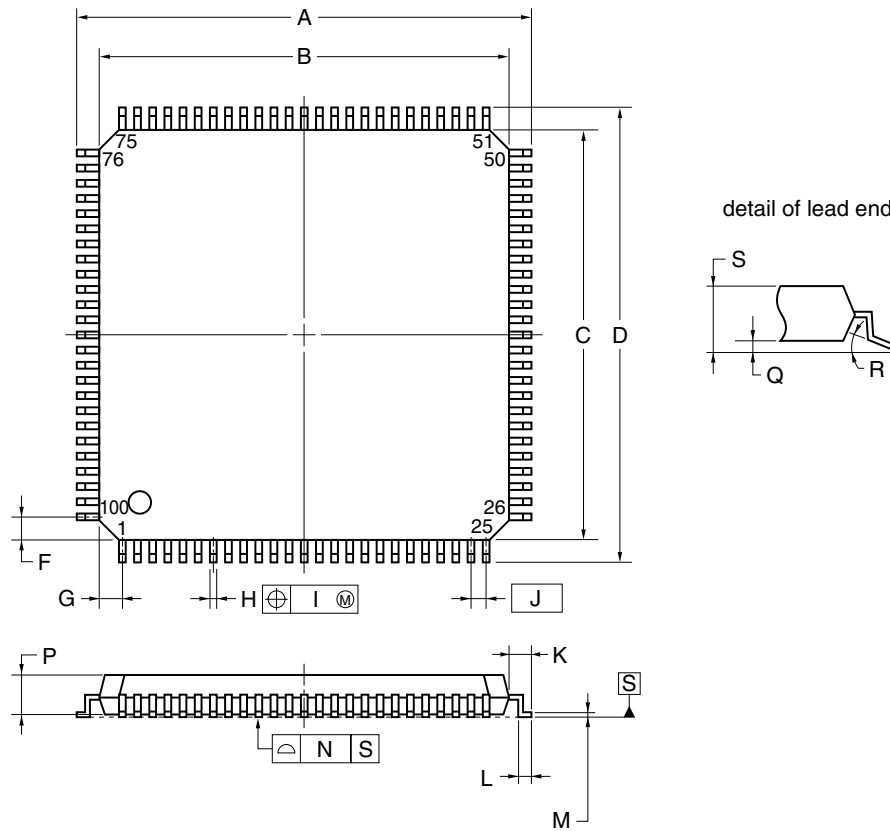
( $T_A = -40$  to  $+85^\circ\text{C}$ ,  $V_{DD} = EV_{DD} = BV_{DD} = 3.5\text{ V to }5.5\text{ V}$ ,  $4.0\text{ V} \leq AV_{REF0} \leq 5.5\text{ V}$ ,  $V_{SS} = EV_{SS} = BV_{SS} = AV_{SS} = 0\text{ V}$ ,  $C_L = 50\text{ pF}$ )

Parameter	Symbol	Conditions	MIN.	TYP.	MAX.	Unit
FLMD0 setup time from $\overline{\text{RESET}}\uparrow$	$t_{RFCF}$		70536/fx			s
Count execution time	$t_{COUNT}$				3	ms
FLMD0 high-level width	$t_{CH}$		10		100	$\mu\text{s}$
FLMD0 low-level width	$t_{CL}$		10		100	$\mu\text{s}$
FLMD0 rise time	$t_R$				50	ns
FLMD0 fall time	$t_F$				50	ns



CHAPTER 27 PACKAGE DRAWING

100-PIN PLASTIC LQFP (FINE PITCH) (14x14)



**NOTE**  
 Each lead centerline is located within 0.08 mm of its true position (T.P.) at maximum material condition.

ITEM	MILLIMETERS
A	16.00±0.20
B	14.00±0.20
C	14.00±0.20
D	16.00±0.20
F	1.00
G	1.00
H	0.22 <sup>+0.05</sup> <sub>-0.04</sub>
I	0.08
J	0.50 (T.P.)
K	1.00±0.20
L	0.50±0.20
M	0.17 <sup>+0.03</sup> <sub>-0.07</sub>
N	0.08
P	1.40±0.05
Q	0.10±0.05
R	3° <sup>+7°</sup> <sub>-3°</sub>
S	1.60 MAX.

S100GC-50-8EU, 8EA-2

## APPENDIX A REGISTER INDEX

(1/9)

Symbol	Name	Unit	Page
ADA0CR0	A/D conversion result register 0	ADC	407
ADA0CR0H	A/D conversion result register 0H	ADC	407
ADA0CR1	A/D conversion result register 1	ADC	407
ADA0CR10	A/D conversion result register 10	ADC	407
ADA0CR10H	A/D conversion result register 10H	ADC	407
ADA0CR11	A/D conversion result register 11	ADC	407
ADA0CR11H	A/D conversion result register 11H	ADC	407
ADA0CR12	A/D conversion result register 12	ADC	407
ADA0CR12H	A/D conversion result register 12H	ADC	407
ADA0CR13	A/D conversion result register 13	ADC	407
ADA0CR13H	A/D conversion result register 13H	ADC	407
ADA0CR14	A/D conversion result register 14	ADC	407
ADA0CR14H	A/D conversion result register 14H	ADC	407
ADA0CR15	A/D conversion result register 15	ADC	407
ADA0CR15H	A/D conversion result register 15H	ADC	407
ADA0CR1H	A/D conversion result register 1H	ADC	407
ADA0CR2	A/D conversion result register 2	ADC	407
ADA0CR2H	A/D conversion result register 2H	ADC	407
ADA0CR3	A/D conversion result register 3	ADC	407
ADA0CR3H	A/D conversion result register 3H	ADC	407
ADA0CR4	A/D conversion result register 4	ADC	407
ADA0CR4H	A/D conversion result register 4H	ADC	407
ADA0CR5	A/D conversion result register 5	ADC	407
ADA0CR5H	A/D conversion result register 5H	ADC	407
ADA0CR6	A/D conversion result register 6	ADC	407
ADA0CR6H	A/D conversion result register 6H	ADC	407
ADA0CR7	A/D conversion result register 7	ADC	407
ADA0CR7H	A/D conversion result register 7H	ADC	407
ADA0CR8	A/D conversion result register 8	ADC	407
ADA0CR8H	A/D conversion result register 8H	ADC	407
ADA0CR9	A/D conversion result register 9	ADC	407
ADA0CR9H	A/D conversion result register 9H	ADC	407
ADA0M0	A/D converter mode register 0	ADC	402
ADA0M1	A/D converter mode register 1	ADC	404
ADA0M2	A/D converter mode register 2	ADC	405
ADA0PFM	Power-fail compare mode register	ADC	409
ADA0PFT	Power-fail compare threshold value register	ADC	409
ADA0S	A/D converter channel specification register 0	ADC	406
ADIC	Interrupt control register	INTC	533
CB0CTL0	CSIB0 control register 0	CSI	466
CB0CTL1	CSIB0 control register 1	CSI	469
CB0CTL2	CSIB0 control register 2	CSI	470

Symbol	Name	Unit	Page
CB0RIC	Interrupt control register	INTC	533
CB0RX	CSIB0 receive data register	CSI	465
CB0RXL	CSIB0 receive data register L	CSI	465
CB0STR	CSIB0 status register	CSI	472
CB0TIC	Interrupt control register	INTC	533
CB0TX	CSIB0 transmit data register	CSI	465
CB0TXL	CSIB0 transmit data register L	CSI	465
CB1CTL0	CSIB1 control register 0	CSI	466
CB1CTL1	CSIB1 control register 1	CSI	469
CB1CTL2	CSIB1 control register 2	CSI	470
CB1RIC	Interrupt control register	INTC	533
CB1RX	CSIB1 receive data register	CSI	465
CB1RXL	CSIB1 receive data register L	CSI	465
CB1STR	CSIB1 status register	CSI	472
CB1TIC	Interrupt control register	INTC	533
CB1TX	CSIB1 transmit data register	CSI	465
CB1TXL	CSIB1 transmit data register L	CSI	465
CCLS	CPU operation clock status register	CG	165
CLM	Clock monitor mode register	CLM	583
CTBP	CALLT base pointer	CPU	49
CTPC	CALLT execution status saving register	CPU	48
CTPSW	CALLT execution status saving register	CPU	48
DADC0	DMA addressing control register 0	DMA	498
DADC1	DMA addressing control register 1	DMA	498
DADC2	DMA addressing control register 2	DMA	498
DADC3	DMA addressing control register 3	DMA	498
DBC0	DMA transfer count register 0	DMA	497
DBC1	DMA transfer count register 1	DMA	497
DBC2	DMA transfer count register 2	DMA	497
DBC3	DMA transfer count register 3	DMA	497
DBPC	Exception/debug trap status saving register	CPU	49
DBPSW	Exception/debug trap status saving register	CPU	49
DCHC0	DMA channel control register 0	DMA	499
DCHC1	DMA channel control register 1	DMA	499
DCHC2	DMA channel control register 2	DMA	499
DCHC3	DMA channel control register 3	DMA	499
DDA0H	DMA destination address register 0H	DMA	496
DDA0L	DMA destination address register 0L	DMA	496
DDA1H	DMA destination address register 1H	DMA	496
DDA1L	DMA destination address register 1L	DMA	496
DDA2H	DMA destination address register 2H	DMA	496
DDA2L	DMA destination address register 2L	DMA	496
DDA3H	DMA destination address register 3H	DMA	496
DDA3L	DMA destination address register 3L	DMA	496
DMAIC0	Interrupt control register	INTC	534

Symbol	Name	Unit	Page
DMAIC1	Interrupt control register	INTC	534
DMAIC2	Interrupt control register	INTC	534
DMAIC3	Interrupt control register	INTC	534
DSA0H	DMA source address register 0H	DMA	495
DSA0L	DMA source address register 0L	DMA	495
DSA1H	DMA source address register 1H	DMA	495
DSA1L	DMA source address register 1L	DMA	495
DSA2H	DMA source address register 2H	DMA	495
DSA2L	DMA source address register 2L	DMA	495
DSA3H	DMA source address register 3H	DMA	495
DSA3L	DMA source address register 3L	DMA	495
DTFR0	DMA trigger factor register 0	DMA	500
DTFR1	DMA trigger factor register 1	DMA	500
DTFR2	DMA trigger factor register 2	DMA	500
DTFR3	DMA trigger factor register 3	DMA	500
ECR	Interrupt source register	CPU	46
EIPC	Interrupt status saving register	CPU	45
EIPSW	Interrupt status saving register	CPU	45
FEPC	NMI status saving register	CPU	46
FEPSW	NMI status saving register	CPU	46
IMR0	Interrupt mask register 0	INTC	534
IMR0H	Interrupt mask register 0H	INTC	534
IMR0L	Interrupt mask register 0L	INTC	534
IMR1	Interrupt mask register 1	INTC	534
IMR1H	Interrupt mask register 1H	INTC	534
IMR1L	Interrupt mask register 1L	INTC	534
IMR2	Interrupt mask register 2	INTC	534
IMR2H	Interrupt mask register 2H	INTC	534
IMR2L	Interrupt mask register 2L	INTC	534
IMR3	Interrupt mask register 3	INTC	534
IMR3H	Interrupt mask register 3H	INTC	534
IMR3L	Interrupt mask register 3L	INTC	534
INTF0	External interrupt falling edge specification register 0	INTC	84, 546
INTF1	External interrupt falling edge specification register 1	INTC	89, 547
INTF3	External interrupt falling edge specification register 3	INTC	95, 548
INTF3H	External interrupt falling edge specification register 3H	INTC	95, 548
INTF3L	External interrupt falling edge specification register 3L	INTC	95, 548
INTF9H	External interrupt falling edge specification register 9H	INTC	115, 549
INTR0	External interrupt rising edge specification register 0	INTC	84, 546
INTR1	External interrupt rising edge specification register 1	INTC	89, 547
INTR3	External interrupt rising edge specification register 3	INTC	96, 548
INTR3H	External interrupt rising edge specification register 3H	INTC	96, 548
INTR3L	External interrupt rising edge specification register 3L	INTC	96, 548
INTR9H	External interrupt rising edge specification register 9H	INTC	116, 549
ISPR	In-service priority register	INTC	536

Symbol	Name	Unit	Page
KRIC	Interrupt control register	INTC	533
KRM	Key return mode register	KR	555
LOCKR	Lock register	CG	168
LVIIC	Interrupt control register	INTC	533
LVIM	Low-voltage detection register	LVI	590
LVIS	Low-voltage detection level select register	LVI	591
NFC	Noise elimination control register	INTC	550
OCDM	On-chip debug mode register	Debug	625
OSTS	Oscillation stabilization time select register	WDT	560
P0	Port 0	Port	81
P00NFC	TIP00 pin noise elimination control register	Timer	188
P01NFC	TIP01 pin noise elimination control register	Timer	188
P1	Port 1	Port	87
P10NFC	TIP10 pin noise elimination control register	Timer	188
P11NFC	TIP11 pin noise elimination control register	Timer	188
P20NFC	TIP20 pin noise elimination control register	Timer	188
P21NFC	TIP21 pin noise elimination control register	Timer	188
P3	Port 3	Port	91
P30NFC	TIP30 pin noise elimination control register	Timer	188
P31NFC	TIP31 pin noise elimination control register	Timer	188
P3H	Port 3H	Port	91
P3L	Port 3L	Port	91
P4	Port 4	Port	98
P5	Port 5	Port	101
P7	Port 7	Port	107
P7H	Port 7H	Port	107
P7L	Port 7L	Port	107
P9	Port 9	Port	109
P9H	Port 9H	Port	109
P9L	Port 9L	Port	109
PC	Program counter	CPU	43
PCC	Processor clock control register	CG	161
PCLM	Programmable clock mode register	CG	170
PCM	Port CM	Port	118
PCS	Port CS	Port	120
PCT	Port CT	Port	122
PDL	Port DL	Port	124
PDLH	Port DLH	Port	124
PDLL	Port DLL	Port	124
PEMU1	Peripheral emulation register 1	LVI	596
PFC0	Port function control register 0	Port	83
PFC3L	Port function control register 3L	Port	93
PFC5	Port function control register 5	Port	103
PFC9	Port function control register 9	Port	112

Symbol	Name	Unit	Page
PFC9H	Port function control register 9H	Port	112
PFC9L	Port function control register 9L	Port	112
PFCE3L	Port function control expansion register 3L	Port	94
PFCE5	Port function control expansion register 5	Port	103
PFCE9	Port function control expansion register 9	Port	112
PFCE9H	Port function control expansion register 9H	Port	112
PFCE9L	Port function control expansion register 9L	Port	112
PIC0	Interrupt control register	INTC	533
PIC1	Interrupt control register	INTC	533
PIC10	Interrupt control register	INTC	533
PIC2	Interrupt control register	INTC	533
PIC3	Interrupt control register	INTC	533
PIC4	Interrupt control register	INTC	533
PIC5	Interrupt control register	INTC	533
PIC6	Interrupt control register	INTC	533
PIC7	Interrupt control register	INTC	533
PIC8	Interrupt control register	INTC	533
PIC9	Interrupt control register	INTC	533
PLLCTL	PLL control register	CG	167
PLLS	PLL lockup time specification register	CG	169
PM0	Port mode register 0	Port	81
PM1	Port mode register 1	Port	87
PM3	Port mode register 3	Port	91
PM3H	Port mode register 3H	Port	91
PM3L	Port mode register 3L	Port	91
PM4	Port mode register 4	Port	98
PM5	Port mode register 5	Port	101
PM7	Port mode register 7	Port	107
PM7H	Port mode register 7H	Port	107
PM7L	Port mode register 7L	Port	107
PM9	Port mode register 9	Port	109
PM9H	Port mode register 9H	Port	109
PM9L	Port mode register 9L	Port	109
PMC0	Port mode control register 0	Port	82
PMC1	Port mode control register 1	Port	88
PMC3	Port mode control register 3	Port	92
PMC3H	Port mode control register 3H	Port	92
PMC3L	Port mode control register 3L	Port	92
PMC4	Port mode control register 4	Port	99
PMC5	Port mode control register 5	Port	102
PMC9	Port mode control register 9	Port	110
PMC9H	Port mode control register 9H	Port	110
PMC9L	Port mode control register 9L	Port	110
PMCCM	Port mode control register CM	Port	118
PMCM	Port mode register CM	Port	118

Symbol	Name	Unit	Page
PMCS	Port mode register CS	Port	120
PMCT	Port mode register CT	Port	122
PMDL	Port mode register DL	Port	124
PMDLH	Port mode register DLH	Port	124
PMDLL	Port mode register DLL	Port	124
PRCMD	Command register	CPU	71
PRSCM0	Prescaler compare register 0	WT	386, 491
PRSM0	Prescaler mode register 0	WT	385, 490
PSC	Power save control register	CG	558
PSMR	Power save mode register	CG	559
PSW	Program status word	CPU	47
PU0	Pull-up resistor option register 0	Port	83
PU1	Pull-up resistor option register 1	Port	88
PU3	Pull-up resistor option register 3	Port	95
PU3H	Pull-up resistor option register 3H	Port	95
PU3L	Pull-up resistor option register 3L	Port	95
PU4	Pull-up resistor option register 4	Port	99
PU5	Pull-up resistor option register 5	Port	105
PU9	Pull-up resistor option register 9	Port	115
PU9H	Pull-up resistor option register 9H	Port	115
PU9L	Pull-up resistor option register 9L	Port	115
Q00NFC	TIQ00 pin noise elimination control register	Timer	288
Q01NFC	TIQ01 pin noise elimination control register	Timer	288
Q02NFC	TIQ02 pin noise elimination control register	Timer	288
Q03NFC	TIQ03 pin noise elimination control register	Timer	288
Q10NFC	TIQ10 pin noise elimination control register	Timer	288
Q11NFC	TIQ11 pin noise elimination control register	Timer	288
Q12NFC	TIQ12 pin noise elimination control register	Timer	288
Q13NFC	TIQ13 pin noise elimination control register	Timer	288
r0 to r31	General-purpose register	CPU	43
RAMS	Internal RAM data status register	CG	591
RCM	Internal oscillation mode register	CG	165
RESF	Reset source flag register	CG	577
SELCNT0	Selector operation control register 0	Timer	265
SYS	System status register	CPU	72
TM0CMP0	TMM0 compare register 0	Timer	375
TM0CTL0	TMM0 control register 0	Timer	376
TM0EQIC0	Interrupt control register	INTC	533
TP0CCIC0	Interrupt control register	INTC	533
TP0CCIC1	Interrupt control register	INTC	533
TP0CCR0	TMP0 capture/compare register 0	Timer	183
TP0CCR1	TMP0 capture/compare register 1	Timer	185
TP0CNT	TMP0 counter read buffer register	Timer	187
TP0CTL0	TMP0 control register 0	Timer	176
TP0CTL1	TMP0 control register 1	Timer	177



Symbol	Name	Unit	Page
TP0IOC0	TMP0 I/O control register 0	Timer	179
TP0IOC1	TMP0 I/O control register 1	Timer	180
TP0IOC2	TMP0 I/O control register 2	Timer	181
TP0OPT0	TMP0 option register 0	Timer	182
TP0OVIC	Interrupt control register	INTC	533
TP1CCIC0	Interrupt control register	INTC	533
TP1CCIC1	Interrupt control register	INTC	533
TP1CCR0	TMP1 capture/compare register 0	Timer	183
TP1CCR1	TMP1 capture/compare register 1	Timer	185
TP1CNT	TMP1 counter read buffer register	Timer	187
TP1CTL0	TMP1 control register 0	Timer	176
TP1CTL1	TMP1 control register 1	Timer	177
TP1IOC0	TMP1 I/O control register 0	Timer	179
TP1IOC1	TMP1 I/O control register 1	Timer	180
TP1IOC2	TMP1 I/O control register 2	Timer	181
TP1OPT0	TMP1 option register 0	Timer	182
TP1OVIC	Interrupt control register	INTC	533
TP2CCIC0	Interrupt control register	INTC	533
TP2CCIC1	Interrupt control register	INTC	533
TP2CCR0	TMP2 capture/compare register 0	Timer	183
TP2CCR1	TMP2 capture/compare register 1	Timer	185
TP2CNT	TMP2 counter read buffer register	Timer	187
TP2CTL0	TMP2 control register 0	Timer	176
TP2CTL1	TMP2 control register 1	Timer	177
TP2IOC0	TMP2 I/O control register 0	Timer	179
TP2IOC1	TMP2 I/O control register 1	Timer	180
TP2IOC2	TMP2 I/O control register 2	Timer	181
TP2OPT0	TMP2 option register 0	Timer	182
TP2OVIC	Interrupt control register	INTC	533
TP3CCIC0	Interrupt control register	INTC	533
TP3CCIC1	Interrupt control register	INTC	533
TP3CCR0	TMP3 capture/compare register 0	Timer	183
TP3CCR1	TMP3 capture/compare register 1	Timer	185
TP3CNT	TMP3 counter read buffer register	Timer	187
TP3CTL0	TMP3 control register 0	Timer	176
TP3CTL1	TMP3 control register 1	Timer	177
TP3IOC0	TMP3 I/O control register 0	Timer	179
TP3IOC1	TMP3 I/O control register 1	Timer	180
TP3IOC2	TMP3 I/O control register 2	Timer	181
TP3OPT0	TMP3 option register 0	Timer	182
TP3OVIC	Interrupt control register	INTC	533
TQ0CCIC0	Interrupt control register	INTC	533
TQ0CCIC1	Interrupt control register	INTC	533
TQ0CCIC2	Interrupt control register	INTC	533
TQ0CCIC3	Interrupt control register	INTC	533

Symbol	Name	Unit	Page
TQ0CCR0	TMQ0 capture/compare register 0	Timer	279
TQ0CCR1	TMQ0 capture/compare register 1	Timer	281
TQ0CCR2	TMQ0 capture/compare register 2	Timer	283
TQ0CCR3	TMQ0 capture/compare register 3	Timer	285
TQ0CNT	TMQ0 counter read buffer register	Timer	287
TQ0CTL0	TMQ0 control register 0	Timer	272
TQ0CTL1	TMQ0 control register 1	Timer	273
TQ0IOC0	TMQ0 I/O control register 0	Timer	275
TQ0IOC1	TMQ0 I/O control register 1	Timer	276
TQ0IOC2	TMQ0 I/O control register 2	Timer	277
TQ0OPT0	TMQ0 option register 0	Timer	278
TQ0OVIC	Interrupt control register	INTC	533
TQ1CCIC0	Interrupt control register	INTC	534
TQ1CCIC1	Interrupt control register	INTC	534
TQ1CCIC2	Interrupt control register	INTC	534
TQ1CCIC3	Interrupt control register	INTC	534
TQ1CCR0	TMQ1 capture/compare register 0	Timer	279
TQ1CCR1	TMQ1 capture/compare register 1	Timer	281
TQ1CCR2	TMQ1 capture/compare register 2	Timer	283
TQ1CCR3	TMQ1 capture/compare register 3	Timer	285
TQ1CNT	TMQ1 counter read buffer register	Timer	287
TQ1CTL0	TMQ1 control register 0	Timer	272
TQ1CTL1	TMQ1 control register 1	Timer	273
TQ1IOC0	TMQ1 I/O control register 0	Timer	275
TQ1IOC1	TMQ1 I/O control register 1	Timer	276
TQ1IOC2	TMQ1 I/O control register 2	Timer	277
TQ1OPT0	TMQ1 timer option register 0	Timer	278
TQ1OVIC	Interrupt control register	INTC	534
UA0CTL0	UARTA0 control register 0	UART	433
UA0CTL1	UARTA0 control register 1	UART	455
UA0CTL2	UARTA0 control register 2	UART	456
UA0OPT0	UARTA0 option control register 0	UART	435
UA0RIC	Interrupt control register	INTC	533
UA0RX	UARTA0 receive data register	UART	438
UA0STR	UARTA0 status register	UART	436
UA0TIC	Interrupt control register	INTC	533
UA0TX	UARTA0 transmit data register	UART	438
UA1CTL0	UARTA1 control register 0	UART	433
UA1CTL1	UARTA1 control register 1	UART	455
UA1CTL2	UARTA1 control register 2	UART	456
UA1OPT0	UARTA1 option control register 0	UART	435
UA1RIC	Interrupt control register	INTC	533
UA1RX	UARTA1 receive data register	UART	438
UA1STR	UARTA1 status register	UART	436
UA1TIC	Interrupt control register	INTC	533

Symbol	Name	Unit	Page
UA1TX	UARTA1 transmit data register	UART	438
UA2CTL0	UARTA2 control register 0	UART	433
UA2CTL1	UARTA2 control register 1	UART	455
UA2CTL2	UARTA2 control register 2	UART	456
UA2OPT0	UARTA2 option control register 0	UART	435
UA2RIC	Interrupt control register	INTC	534
UA2RX	UARTA2 receive data register	UART	438
UA2STR	UARTA2 status register	UART	436
UA2TIC	Interrupt control register	INTC	534
UA2TX	UARTA2 transmit data register	UART	438
VSWC	System wait control register	CPU	73
WDTE	Watchdog timer enable register	WDT	396
WDTM2	Watchdog timer mode register 2	WDT	394, 537
WTIC	Interrupt control register	INTC	533
WTIIC	Interrupt control register	INTC	533
WTM	Watch timer operation mode register	WT	387

## APPENDIX B INSTRUCTION SET LIST

### B.1 Conventions

#### (1) Register symbols used to describe operands

Register Symbol	Explanation
reg1	General-purpose registers: Used as source registers.
reg2	General-purpose registers: Used mainly as destination registers. Also used as source register in some instructions.
reg3	General-purpose registers: Used mainly to store the remainders of division results and the higher 32 bits of multiplication results.
bit#3	3-bit data for specifying the bit number
immX	X bit immediate data
dispX	X bit displacement data
regID	System register number
vector	5-bit data that specifies the trap vector (00H to 1FH)
cccc	4-bit data that shows the conditions code
sp	Stack pointer (r3)
ep	Element pointer (r30)
listX	X item register list

#### (2) Register symbols used to describe opcodes

Register Symbol	Explanation
R	1-bit data of a code that specifies reg1 or regID
r	1-bit data of the code that specifies reg2
w	1-bit data of the code that specifies reg3
d	1-bit displacement data
l	1-bit immediate data (indicates the higher bits of immediate data)
i	1-bit immediate data
cccc	4-bit data that shows the condition codes
CCCC	4-bit data that shows the condition codes of Bcond instruction
bbb	3-bit data for specifying the bit number
L	1-bit data that specifies a program register in the register list

**(3) Register symbols used in operations**

Register Symbol	Explanation
←	Input for
GR [ ]	General-purpose register
SR [ ]	System register
zero-extend (n)	Expand n with zeros until word length.
sign-extend (n)	Expand n with signs until word length.
load-memory (a, b)	Read size b data from address a.
store-memory (a, b, c)	Write data b into address a in size c.
load-memory-bit (a, b)	Read bit b of address a.
store-memory-bit (a, b, c)	Write c to bit b of address a.
saturated (n)	Execute saturated processing of n (n is a 2's complement). If, as a result of calculations, n ≥ 7FFFFFFFH, let it be 7FFFFFFFH. n ≤ 80000000H, let it be 80000000H.
result	Reflects the results in a flag.
Byte	Byte (8 bits)
Halfword	Half word (16 bits)
Word	Word (32 bits)
+	Addition
−	Subtraction
	Bit concatenation
×	Multiplication
÷	Division
%	Remainder from division results
AND	Logical product
OR	Logical sum
XOR	Exclusive OR
NOT	Logical negation
logically shift left by	Logical shift left
logically shift right by	Logical shift right
arithmetically shift right by	Arithmetic shift right

**(4) Register symbols used in execution clock**

Register Symbol	Explanation
i	If executing another instruction immediately after executing the first instruction (issue).
r	If repeating execution of the same instruction immediately after executing the first instruction (repeat).
l	If using the results of instruction execution in the instruction immediately after the execution (latency).

**(5) Register symbols used in flag operations**

Identifier	Explanation
(Blank)	No change
0	Clear to 0
X	Set or cleared in accordance with the results.
R	Previously saved values are restored.

**(6) Condition codes**

Condition Code (cccc)	Condition Formula	Explanation
0 0 0 0	$OV = 1$	Overflow
1 0 0 0	$OV = 0$	No overflow
0 0 0 1	$CY = 1$	Carry Lower (Less than)
1 0 0 1	$CY = 0$	No carry Not lower (Greater than or equal)
0 0 1 0	$Z = 1$	Zero
1 0 1 0	$Z = 0$	Not zero
0 0 1 1	$(CY \text{ or } Z) = 1$	Not higher (Less than or equal)
1 0 1 1	$(CY \text{ or } Z) = 0$	Higher (Greater than)
0 1 0 0	$S = 1$	Negative
1 1 0 0	$S = 0$	Positive
0 1 0 1	–	Always (Unconditional)
1 1 0 1	$SAT = 1$	Saturated
0 1 1 0	$(S \text{ xor } OV) = 1$	Less than signed
1 1 1 0	$(S \text{ xor } OV) = 0$	Greater than or equal signed
0 1 1 1	$((S \text{ xor } OV) \text{ or } Z) = 1$	Less than or equal signed
1 1 1 1	$((S \text{ xor } OV) \text{ or } Z) = 0$	Greater than signed

B.2 Instruction Set (in Alphabetical Order)

(1/6)

Mnemonic	Operand	Opcode	Operation	Execution Clock			Flags					
				i	r	l	CY	OV	S	Z	SAT	
ADD	reg1,reg2	rrrrr001110RRRRR	GR[reg2]←GR[reg2]+GR[reg1]	1	1	1	x	x	x	x		
	imm5,reg2	rrrrr010010iiii	GR[reg2]←GR[reg2]+sign-extend(imm5)	1	1	1	x	x	x	x		
ADDI	imm16,reg1,reg2	rrrrr110000RRRRR iiiiiiiiiiiiiiii	GR[reg2]←GR[reg1]+sign-extend(imm16)	1	1	1	x	x	x	x		
AND	reg1,reg2	rrrrr001010RRRRR	GR[reg2]←GR[reg2]AND GR[reg1]	1	1	1		0	x	x		
ANDI	imm16,reg1,reg2	rrrrr110110RRRRR iiiiiiiiiiiiiiii	GR[reg2]←GR[reg1]AND zero-extend(imm16)	1	1	1		0	x	x		
Bcond	disp9	dddd1011dddcccc <b>Note 1</b>	if conditions are satisfied then PC←PC+sign-extend(disp9)	When conditions are satisfied	2	2	2					
				When conditions are not satisfied	1	1	1					
BSH	reg2,reg3	rrrrr11111100000 wwwww01101000010	GR[reg3]←GR[reg2] (23 : 16)    GR[reg2] (31 : 24)    GR[reg2] (7 : 0)    GR[reg2] (15 : 8)	1	1	1	x	0	x	x		
BSW	reg2,reg3	rrrrr11111100000 wwwww01101000000	GR[reg3]←GR[reg2] (7 : 0)    GR[reg2] (15 : 8)    GR [reg2] (23 : 16)    GR[reg2] (31 : 24)	1	1	1	x	0	x	x		
CALLT	imm6	0000001000iiii	CTPC←PC+2(return PC) CTPSW←PSW adr←CTBP+zero-extend(imm6 logically shift left by 1) PC←CTBP+zero-extend(Load-memory(adr,Halfword))	4	4	4						
CLR1	bit#3,disp16[reg1]	10bbb111110RRRRR dddddddddddd	adr←GR[reg1]+sign-extend(disp16) Z flag←Not(Load-memory-bit(adr,bit#3)) Store-memory-bit(adr,bit#3,0)	3	3	3				x		
	reg2,[reg1]	rrrrr111111RRRRR 0000000011100100	adr←GR[reg1] Z flag←Not(Load-memory-bit(adr,reg2)) Store-memory-bit(adr,reg2,0)	3	3	3				x		
CMOV	cccc,imm5,reg2,reg3	rrrrr111111iiii wwwww01100cccc0	if conditions are satisfied then GR[reg3]←sign-extended(imm5) else GR[reg3]←GR[reg2]	1	1	1						
	cccc,reg1,reg2,reg3	rrrrr111111RRRRR wwwww011001cccc0	if conditions are satisfied then GR[reg3]←GR[reg1] else GR[reg3]←GR[reg2]	1	1	1						
CMP	reg1,reg2	rrrrr001111RRRRR	result←GR[reg2]-GR[reg1]	1	1	1	x	x	x	x		
	imm5,reg2	rrrrr010011iiii	result←GR[reg2]-sign-extend(imm5)	1	1	1	x	x	x	x		
CTRET		000001111100000 0000000101000100	PC←CTPC PSW←CTPSW	3	3	3	R	R	R	R	R	
DBRET		000001111100000 0000000101000110	PC←DBPC PSW←DBPSW	3	3	3	R	R	R	R	R	

APPENDIX B INSTRUCTION SET LIST

Mnemonic	Operand	Opcode	Operation	Execution Clock			Flags				
				i	r	l	CY	OV	S	Z	SAT
DBTRAP		1111100001000000	DBPC←PC+2 (restored PC) DBPSW←PSW PSW.NP←1 PSW.EP←1 PSW.ID←1 PC←00000060H	3	3	3					
DI		0000011111100000 0000000101100000	PSW.ID←1	1	1	1					
DISPOSE	imm5,list12	0000011001iiiiL LLLLLLLLLLLL00000	sp←sp+zero-extend(imm5 logically shift left by 2) GR[reg in list12]←Load-memory(sp,Word) sp←sp+4 repeat 2 steps above until all regs in list12 is loaded	n+1 Note 4	n+1 Note 4	n+1 Note 4					
	imm5,list12,[reg1]	0000011001iiiiL LLLLLLLLLLLLRRRRR <b>Note 5</b>	sp←sp+zero-extend(imm5 logically shift left by 2) GR[reg in list12]←Load-memory(sp,Word) sp←sp+4 repeat 2 steps above until all regs in list12 is loaded PC←GR[reg1]	n+3 Note 4	n+3 Note 4	n+3 Note 4					
DIV	reg1,reg2,reg3	rrrrr11111RRRRR www01011000000	GR[reg2]←GR[reg2]÷GR[reg1] GR[reg3]←GR[reg2]%GR[reg1]	35	35	35		×	×	×	
DIVH	reg1,reg2	rrrrr000010RRRRR	GR[reg2]←GR[reg2]÷GR[reg1] <sup>Note 6</sup>	35	35	35		×	×	×	
	reg1,reg2,reg3	rrrrr11111RRRRR www01010000000	GR[reg2]←GR[reg2]÷GR[reg1] <sup>Note 6</sup> GR[reg3]←GR[reg2]%GR[reg1]	35	35	35		×	×	×	
DIVHU	reg1,reg2,reg3	rrrrr11111RRRRR www01010000010	GR[reg2]←GR[reg2]÷GR[reg1] <sup>Note 6</sup> GR[reg3]←GR[reg2]%GR[reg1]	34	34	34		×	×	×	
DIVU	reg1,reg2,reg3	rrrrr11111RRRRR www01011000010	GR[reg2]←GR[reg2]÷GR[reg1] GR[reg3]←GR[reg2]%GR[reg1]	34	34	34		×	×	×	
EI		1000011111100000 0000000101100000	PSW.ID←0	1	1	1					
HALT		0000011111100000 0000000100100000	Stop	1	1	1					
HSW	reg2,reg3	rrrrr11111100000 www01101000100	GR[reg3]←GR[reg2](15 : 0)    GR[reg2] (31 : 16)	1	1	1	×	0	×	×	
JARL	disp22,reg2	rrrrr11110dddddd ddddddddddddddd0 <b>Note 7</b>	GR[reg2]←PC+4 PC←PC+sign-extend(disp22)	2	2	2					
JMP	[reg1]	0000000011RRRRR	PC←GR[reg1]	3	3	3					
JR	disp22	0000011110dddddd ddddddddddddddd0 <b>Note 7</b>	PC←PC+sign-extend(disp22)	2	2	2					
LD.B	disp16[reg1],reg2	rrrrr111000RRRRR ddddddddddddddd	adr←GR[reg1]+sign-extend(disp16) GR[reg2]←sign-extend(Load-memory(adr,Byte))	1	1	Note 11					
LD.BU	disp16[reg1],reg2	rrrrr11110bRRRRR ddddddddddddddd1 <b>Notes 8, 10</b>	adr←GR[reg1]+sign-extend(disp16) GR[reg2]←zero-extend(Load-memory(adr,Byte))	1	1	Note 11					



APPENDIX B INSTRUCTION SET LIST

Mnemonic	Operand	Opcode	Operation	Execution Clock			Flags					
				i	r	l	CY	OV	S	Z	SAT	
LD.H	disp16[reg1],reg2	rrrrr111001RRRRR dddddddddddddd0	adr←GR[reg1]+sign-extend(disp16) GR[reg2]←sign-extend(Load-memory(adr,Halfword))	1	1	Note 11						
LDSR	reg2,regID	rrrrr11111RRRRR 0000000000100000	SR[regID]←GR[reg2]	Other than regID = PSW	1	1	1					
				regID = PSW	1	1	1	x	x	x	x	x
LD.HU	disp16[reg1],reg2	rrrrr11111RRRRR dddddddddddddd1	adr←GR[reg1]+sign-extend(disp16) GR[reg2]←zero-extend(Load-memory(adr,Halfword))	1	1	Note 11						
LD.W	disp16[reg1],reg2	rrrrr111001RRRRR dddddddddddddd1	adr←GR[reg1]+sign-extend(disp16) GR[reg2]←Load-memory(adr,Word)	1	1	Note 11						
MOV	reg1,reg2	rrrrr00000RRRRR	GR[reg2]←GR[reg1]	1	1	1						
	imm5,reg2	rrrrr010000iiii	GR[reg2]←sign-extend(imm5)	1	1	1						
	imm32,reg1	00000110001RRRRR iiiiiiiiiiiiiiii iiiiiiiiiiiiiiii	GR[reg1]←imm32	2	2	2						
MOVEA	imm16,reg1,reg2	rrrrr110001RRRRR iiiiiiiiiiiiiiii	GR[reg2]←GR[reg1]+sign-extend(imm16)	1	1	1						
MOVHI	imm16,reg1,reg2	rrrrr110010RRRRR iiiiiiiiiiiiiiii	GR[reg2]←GR[reg1]+(imm16 ll 0 <sup>16</sup> )	1	1	1						
MUL	reg1,reg2,reg3	rrrrr11111RRRRR wwwww01000100000	GR[reg3] ll GR[reg2]←GR[reg2]xGR[reg1]	1	4	5						
	imm9,reg2,reg3	rrrrr11111iiii wwwww01001111100	GR[reg3] ll GR[reg2]←GR[reg2]xsign-extend(imm9)	1	4	5						
MULH	reg1,reg2	rrrrr000111RRRRR	GR[reg2]←GR[reg2] <sup>Note 6</sup> xGR[reg1] <sup>Note 6</sup>	1	1	2						
	imm5,reg2	rrrrr010111iiii	GR[reg2]←GR[reg2] <sup>Note 6</sup> xsign-extend(imm5)	1	1	2						
MULHI	imm16,reg1,reg2	rrrrr110111RRRRR iiiiiiiiiiiiiiii	GR[reg2]←GR[reg1] <sup>Note 6</sup> ximm16	1	1	2						
MULU	reg1,reg2,reg3	rrrrr11111RRRRR wwwww01000100010	GR[reg3] ll GR[reg2]←GR[reg2]xGR[reg1]	1	4	5						
	imm9,reg2,reg3	rrrrr11111iiii wwwww01001111110	GR[reg3] ll GR[reg2]←GR[reg2]xzero-extend(imm9)	1	4	5						
NOP		0000000000000000	Pass at least one clock cycle doing nothing.	1	1	1						
NOT	reg1,reg2	rrrrr000001RRRRR	GR[reg2]←NOT(GR[reg1])	1	1	1	0	x	x			
NOT1	bit#3,disp16[reg1]	01bbb111110RRRRR dddddddddddddd	adr←GR[reg1]+sign-extend(disp16) Z flag←Not(Load-memory-bit(adr,bit#3)) Store-memory-bit(adr,bit#3,Z flag)	Note 3	Note 3	Note 3				x		
	reg2,[reg1]	rrrrr11111RRRRR 0000000011100010	adr←GR[reg1] Z flag←Not(Load-memory-bit(adr,reg2)) Store-memory-bit(adr,reg2,Z flag)	Note 3	Note 3	Note 3				x		

APPENDIX B INSTRUCTION SET LIST

Mnemonic	Operand	Opcode	Operation	Execution Clock			Flags				
				i	r	l	CY	OV	S	Z	SAT
OR	reg1,reg2	rrrrr001000RRRRR	GR[reg2]←GR[reg2]OR GR[reg1]	1	1	1		0	×	×	
ORI	imm16,reg1,reg2	rrrrr110100RRRRR iiiiiiiiiiiiiiii	GR[reg2]←GR[reg1]OR zero-extend(imm16)	1	1	1		0	×	×	
PREPARE	list12,imm5	0000011110iiiiL LLLLLLLLLLLL00001	Store-memory(sp-4,GR[reg in list12],Word) sp←sp-4 repeat 1 step above until all regs in list12 is stored sp←sp-zero-extend(imm5)	n+1 Note 4	n+1 Note 4	n+1 Note 4					
	list12,imm5, sp/imm <sup>Note 15</sup>	0000011110iiiiL LLLLLLLLLLLLff011 imm16/imm32  <b>Note 16</b>	Store-memory(sp-4,GR[reg in list12],Word) sp←sp+4 repeat 1 step above until all regs in list12 is stored sp←sp-zero-extend (imm5) ep←sp/imm	n+2 Note 4 Note 17	n+2 Note 4 Note 17	n+2 Note 4 Note 17					
RETI		000001111100000 0000000101000000	if PSW.EP=1 then PC ←EIPC PSW ←EIPSW else if PSW.NP=1 then PC ←FEPC PSW ←FEPSW else PC ←EIPC PSW ←EIPSW	3	3	3	R	R	R	R	R
SAR	reg1,reg2	rrrrr111111RRRRR 0000000010100000	GR[reg2]←GR[reg2]arithmetically shift right by GR[reg1]	1	1	1	×	0	×	×	
	imm5,reg2	rrrrr010101iiii	GR[reg2]←GR[reg2]arithmetically shift right by zero-extend (imm5)	1	1	1	×	0	×	×	
SASF	cccc,reg2	rrrrr1111110cccc 0000001000000000	if conditions are satisfied then GR[reg2]←(GR[reg2]Logically shift left by 1) OR 00000001H else GR[reg2]←(GR[reg2]Logically shift left by 1) OR 00000000H	1	1	1					
SATADD	reg1,reg2	rrrrr000110RRRRR	GR[reg2]←saturated(GR[reg2]+GR[reg1])	1	1	1	×	×	×	×	×
	imm5,reg2	rrrrr010001iiii	GR[reg2]←saturated(GR[reg2]+sign-extend(imm5))	1	1	1	×	×	×	×	×
SATSUB	reg1,reg2	rrrrr000101RRRRR	GR[reg2]←saturated(GR[reg2]-GR[reg1])	1	1	1	×	×	×	×	×
SATSUBI	imm16,reg1,reg2	rrrrr110011RRRRR iiiiiiiiiiiiiiii	GR[reg2]←saturated(GR[reg1]-sign-extend(imm16))	1	1	1	×	×	×	×	×
SATSUBR	reg1,reg2	rrrrr000100RRRRR	GR[reg2]←saturated(GR[reg1]-GR[reg2])	1	1	1	×	×	×	×	×
SETF	cccc,reg2	rrrrr1111110cccc 0000000000000000	If conditions are satisfied then GR[reg2]←00000001H else GR[reg2]←00000000H	1	1	1					

APPENDIX B INSTRUCTION SET LIST

Mnemonic	Operand	Opcode	Operation	Execution Clock			Flags					
				i	r	l	CY	OV	S	Z	SAT	
SET1	bit#3,disp16[reg1]	00bbb111110RRRRR dddddddddddddd	adr←GR[reg1]+sign-extend(disp16) Z flag←Not (Load-memory-bit(adr,bit#3)) Store-memory-bit(adr,bit#3,1)	3 Note 3	3 Note 3	3 Note 3					×	
	reg2,[reg1]	rrrrr11111RRRRR 0000000011100000	adr←GR[reg1] Z flag←Not(Load-memory-bit(adr,reg2)) Store-memory-bit(adr,reg2,1)	3 Note 3	3 Note 3	3 Note 3					×	
SHL	reg1,reg2	rrrrr11111RRRRR 0000000011000000	GR[reg2]←GR[reg2] logically shift left by GR[reg1]	1	1	1	×	0	×	×		
	imm5,reg2	rrrrr010110iiii	GR[reg2]←GR[reg2] logically shift left by zero-extend(imm5)	1	1	1	×	0	×	×		
SHR	reg1,reg2	rrrrr11111RRRRR 0000000010000000	GR[reg2]←GR[reg2] logically shift right by GR[reg1]	1	1	1	×	0	×	×		
	imm5,reg2	rrrrr010100iiii	GR[reg2]←GR[reg2] logically shift right by zero-extend(imm5)	1	1	1	×	0	×	×		
SLD.B	disp7[ep],reg2	rrrrr0110dddddd	adr←ep+zero-extend(disp7) GR[reg2]←sign-extend(Load-memory(adr,Byte))	1	1	Note 9						
SLD.BU	disp4[ep],reg2	rrrrr0000110ddd Note 18	adr←ep+zero-extend(disp4) GR[reg2]←zero-extend(Load-memory(adr,Byte))	1	1	Note 9						
SLD.H	disp8[ep],reg2	rrrrr1000dddddd Note 19	adr←ep+zero-extend(disp8) GR[reg2]←sign-extend(Load-memory(adr,Halfword))	1	1	Note 9						
SLD.HU	disp5[ep],reg2	rrrrr0000111ddd Notes 18, 20	adr←ep+zero-extend(disp5) GR[reg2]←zero-extend(Load-memory(adr,Halfword))	1	1	Note 9						
SLD.W	disp8[ep],reg2	rrrrr1010dddddd0 Note 21	adr←ep+zero-extend(disp8) GR[reg2]←Load-memory(adr,Word)	1	1	Note 9						
SST.B	reg2,disp7[ep]	rrrrr0111dddddd	adr←ep+zero-extend(disp7) Store-memory(adr,GR[reg2],Byte)	1	1	1						
SST.H	reg2,disp8[ep]	rrrrr1001dddddd Note 19	adr←ep+zero-extend(disp8) Store-memory(adr,GR[reg2],Halfword)	1	1	1						
SST.W	reg2,disp8[ep]	rrrrr1010dddddd1 Note 21	adr←ep+zero-extend(disp8) Store-memory(adr,GR[reg2],Word)	1	1	1						
ST.B	reg2,disp16[reg1]	rrrrr111010RRRRR dddddddddddddd	adr←GR[reg1]+sign-extend(disp16) Store-memory(adr,GR[reg2],Byte)	1	1	1						
ST.H	reg2,disp16[reg1]	rrrrr111011RRRRR dddddddddddddd0 Note 8	adr←GR[reg1]+sign-extend(disp16) Store-memory (adr,GR[reg2], Halfword)	1	1	1						
ST.W	reg2,disp16[reg1]	rrrrr111011RRRRR dddddddddddddd1 Note 8	adr←GR[reg1]+sign-extend(disp16) Store-memory (adr,GR[reg2], Word)	1	1	1						
STSR	regID,reg2	rrrrr11111RRRRR 0000000010000000	GR[reg2]←SR[regID]	1	1	1						



**Notes 12.** In this instruction, for convenience of mnemonic description, the source register is made reg2, but the reg1 field is used in the opcode. Therefore, the meaning of register specification in the mnemonic description and in the opcode differs from other instructions.

rrrrr = regID specification

RRRRR = reg2 specification

**13.** iiiii: Lower 5 bits of imm9.

IIII: Higher 4 bits of imm9.

**14.** Do not specify the same register for general-purpose registers reg1 and reg3.

**15.** sp/imm: specified by bits 19 and 20 of the sub-opcode.

**16.** ff = 00: Load sp in ep.

01: Load sign expanded 16-bit immediate data (bits 47 to 32) in ep.

10: Load 16-bit logically left shifted 16-bit immediate data (bits 47 to 32) in ep.

11: Load 32-bit immediate data (bits 63 to 32) in ep.

**17.** If imm = imm32, n + 3 clocks.

**18.** rrrrr: Other than 00000.

**19.** ddddddd: Higher 7 bits of disp8.

**20.** dddd: Higher 4 bits of disp5.

**21.** ddddddd: Higher 6 bits of disp8.

For further information,  
please contact:

**NEC Electronics Corporation**  
1753, Shimonumabe, Nakahara-ku,  
Kawasaki, Kanagawa 211-8668,  
Japan  
Tel: 044-435-5111  
<http://www.necel.com/>

**[America]**

**NEC Electronics America, Inc.**  
2880 Scott Blvd.  
Santa Clara, CA 95050-2554, U.S.A.  
Tel: 408-588-6000  
800-366-9782  
<http://www.am.necel.com/>

**[Europe]**

**NEC Electronics (Europe) GmbH**  
Arcadiastrasse 10  
40472 Düsseldorf, Germany  
Tel: 0211-65030  
<http://www.eu.necel.com/>

**Hanover Office**  
Podbielskistrasse 164  
30177 Hannover  
Tel: 0 511 33 40 2-0

**Munich Office**  
Werner-Eckert-Strasse 9  
81829 München  
Tel: 0 89 92 10 03-0

**Stuttgart Office**  
Industriestrasse 3  
70565 Stuttgart  
Tel: 0 711 99 01 0-0

**United Kingdom Branch**  
Cygnus House, Sunrise Parkway  
Linford Wood, Milton Keynes  
MK14 6NP, U.K.  
Tel: 01908-691-133

**Succursale Française**  
9, rue Paul Dautier, B.P. 52180  
78142 Velizy-Villacoublay Cédex  
France  
Tel: 01-3067-5800

**Sucursal en España**  
Juan Esplandiu, 15  
28007 Madrid, Spain  
Tel: 091-504-2787

**Tyskland Filial**  
Täby Centrum  
Entrance S (7th floor)  
18322 Täby, Sweden  
Tel: 08 638 72 00

**Filiale Italiana**  
Via Fabio Filzi, 25/A  
20124 Milano, Italy  
Tel: 02-667541

**Branch The Netherlands**  
Limburglaan 5  
5616 HR Eindhoven  
The Netherlands  
Tel: 040 265 40 10

**[Asia & Oceania]**

**NEC Electronics (China) Co., Ltd**  
7th Floor, Quantum Plaza, No. 27 ZhiChunLu Haidian  
District, Beijing 100083, P.R.China  
TEL: 010-8235-1155  
<http://www.cn.necel.com/>

**NEC Electronics Shanghai Ltd.**  
Room 2509-2510, Bank of China Tower,  
200 Yincheng Road Central,  
Pudong New Area, Shanghai P.R. China P.C:200120  
Tel: 021-5888-5400  
<http://www.cn.necel.com/>

**NEC Electronics Hong Kong Ltd.**  
12/F., Cityplaza 4,  
12 Taikoo Wan Road, Hong Kong  
Tel: 2886-9318  
<http://www.hk.necel.com/>

**Seoul Branch**  
11F., Samik Lavied'or Bldg., 720-2,  
Yeoksam-Dong, Kangnam-Ku,  
Seoul, 135-080, Korea  
Tel: 02-558-3737

**NEC Electronics Taiwan Ltd.**  
7F, No. 363 Fu Shing North Road  
Taipei, Taiwan, R. O. C.  
Tel: 02-2719-2377

**NEC Electronics Singapore Pte. Ltd.**  
238A Thomson Road,  
#12-08 Novena Square,  
Singapore 307684  
Tel: 6253-8311  
<http://www.sg.necel.com/>