

PLEASE CHECK WWW.MOLEX.COM FOR LATEST PART INFORMATION

Part Number: [0357180810](#)
Status: **Active**
Description: 4.75mm (.187") Tab Slip-On Receptacle Terminal, Quick Disconnect, Female, 1.00mm (.039") Tab Thickness, Wire Range 16-20 AWG (1.31-0.52mm²), Post-Tin Plated

Documents:

[Drawing \(PDF\)](#) [RoHS Certificate of Compliance \(PDF\)](#)
[Product Specification PS-35703-001 \(PDF\)](#)

Agency Certification

| | |
|-----|----------|
| CSA | LR95446 |
| TUV | R9451159 |
| UL | E92853 |

General

| | |
|-------------------------|-----------------------|
| Product Family | Quick Disconnects |
| Series | 35718 |
| Crimp Quality Equipment | Yes |
| Product Name | Slip-On |
| Type | Quick Disconnect |

Physical

| | |
|--------------------------------|----------------------|
| Barrel Type | Open |
| Gender | Female |
| Glow-Wire Compliant | No |
| Insulation | None |
| Lock to Mating Part | Yes |
| Material - Metal | Brass |
| Material - Plating Mating | Tin |
| Material - Plating Termination | Tin |
| Orientation | Straight |
| Packaging Type | Reel |
| Plating min: Mating (µin) | 40 |
| Plating min: Mating (µm) | 1 |
| Plating min: Termination (µin) | 40 |
| Plating min: Termination (µm) | 1 |
| Polarized to Mating Part | No |
| Tab Thickness | 1.00mm (.039") |
| Tab Width | 4.75mm (.187") |
| Temperature Range - Operating | -40°C to +105°C |
| Termination Interface: Style | Crimp or Compression |
| Wire Insulation Diameter | 3.10mm (.122") max. |
| Wire Size AWG | 16, 18, 20 |
| Wire Size mm ² | 0.50 - 1.30 |

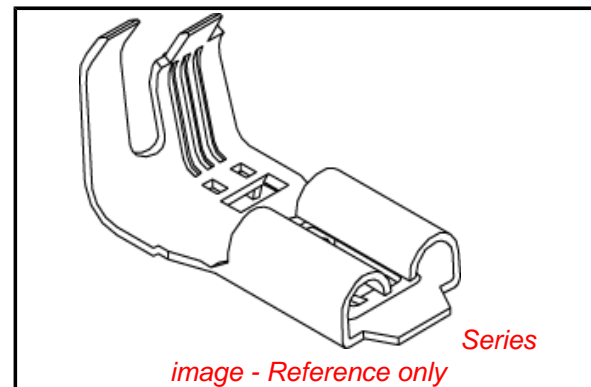
Electrical

| | |
|-------------------|------|
| Voltage - Maximum | 250V |
|-------------------|------|

Material Info

Reference - Drawing Numbers

| | |
|-----------------------|---------------|
| Product Specification | PS-35703-001 |
| Sales Drawing | SD-35718-08*0 |



EU RoHS

ELV and RoHS Compliant
REACH SVHC Contains SVHC: No
Halogen-Free Status

China RoHS



Need more information on product environmental compliance?

Email productcompliance@molex.com
 For a multiple part number RoHS Certificate of Compliance, [click here](#)

Please visit the [Contact Us](#) section for any non-product compliance questions.

Search Parts in this Series

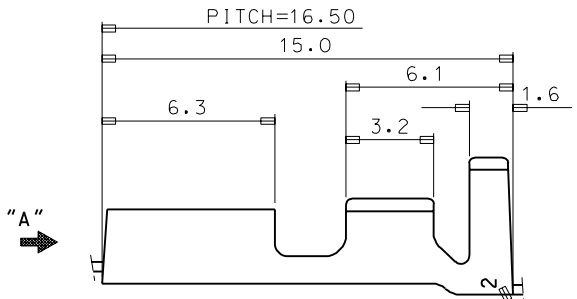
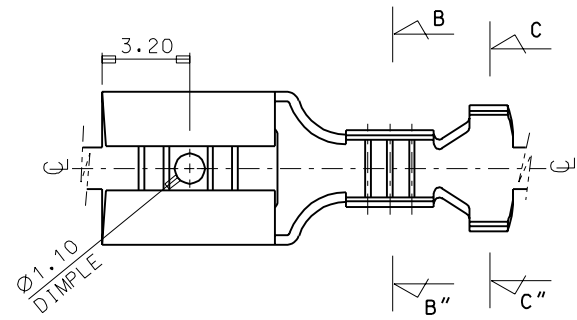
[35718Series](#)

Use With

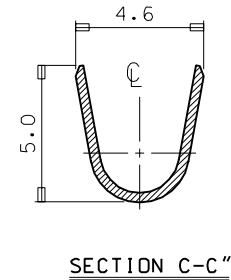
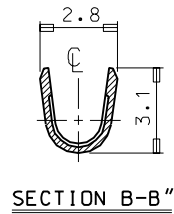
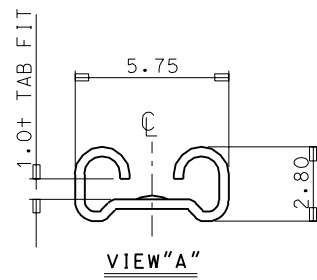
4.75mm (.187") Tab

PLEASE CHECK WWW.MOLEX.COM FOR LATEST PART INFORMATION

PROJECT NO. EDP NO. SIMILAR ITEM ENG. NO. SD 35718-08*0



TRADE MARK
(MK2)



- NOTES
1. MATERIAL: BRASS , 0.35THICKNESS
 2. FINISH: 35718-0800:UNPLATED
35718-0810:POST-TIN PLATED

| | | | | | | | |
|--|------------------------------|-----------------|--------|----------|---|-----------------------------|-----------------------------|
| WIRE RANGE AWG #20-#16 (0.52-1.31mm ²) | | | | MATERIAL | SEE NOTES | MOLEX-KOREA CO.,LTD. | |
| | INSULATION RANGE Ø2.6-3.5 | | | | GENERAL TOLERANCE DIMENSION : 1p1cs:±0.30 ANGLE : 2p1cs:±0.20 | | DRAWN BY W. Y. YANG |
| DIE FEED: // | B | REVISED | 95-007 | 95.1.17 | DIMENSION CLASSIFICATION ▽ : CRITICAL ▼ : MAJOR () : REFERENCE | APP'D BY | SCALE 6:1 |
| APPLICATOR FEED: 16.5 | A | CAD REDRAWING | 93-011 | 93.5.24 | ASS'Y PART | TITLE: .187 SLIP-ON REC' | |
| O'TY/ REEL OR PACK 7,000 O'ty/Reel | LTR | REVISION RECORD | ECN | DATE | DESCRIPTION | ENG. NO. SD 35718-08*0 | SHEET 1 of 1 REV B |
| REVISE ONLY ON CAD SYSTEM | | | | | // | // | |