

**PLEASE CHECK WWW.MOLEX.COM FOR LATEST PART INFORMATION**

**Part Number:** [0757840157](#)  
**Status:** **Active**  
**Overview:** ipass  
**Description:** 0.80mm (.031") Pitch, iPass™ I/O SMT Receptacle, Vertical, Internal Application, 36 Circuit, 0.76µm (30µ") Gold (Au), Through Hole 3.56 Shell, Left Key

**Documents:**

[Application Specification \(PDF\)](#)                      [RoHS Certificate of Compliance \(PDF\)](#)  
[Drawing \(PDF\)](#)

**Agency Certification**

CSA                      LR19980  
 UL                      E29179

**General**

Product Family                      I/O Connectors  
 Series                      [75784](#)  
 Application                      Wire-to-Board  
 Comments                      Positive or passive latching cable available  
 Component Type                      Receptacle  
 Overview                      [ipass](#)  
 Product Name                      iPass™, PCI Express\*, SAS, Serial ATA  
 Type                      N/A

**Physical**

Boot Color                      N/A  
 Circuits (Loaded)                      36  
 Circuits (maximum)                      36  
 Color - Resin                      Black  
 Durability (mating cycles max)                      250  
 Flammability                      94V-0  
 Gender                      Female  
 Keying to Mating Part                      Yes  
 Lock to Mating Part                      None  
 Material - Metal                      Copper-Nickel-Zinc, High Performance Alloy (HPA)  
 Material - Plating Mating                      Gold  
 Material - Plating Termination                      Tin  
 Material - Resin                      High Temperature Thermoplastic  
 Number of Rows                      2  
 Orientation                      Vertical  
 PCB Locator                      Yes  
 PCB Retention                      Yes  
 Packaging Type                      Embossed Tape on Reel  
 Panel Mount                      No  
 Pitch - Mating Interface (in)                      0.031 In  
 Pitch - Mating Interface (mm)                      0.80 mm  
 Pitch - Term. Interface (in)                      0.031 In  
 Pitch - Term. Interface (mm)                      0.80 mm  
 Plating min: Mating (µin)                      30.4  
 Plating min: Mating (µm)                      0.76  
 Plating min: Termination (µin)                      101.6  
 Plating min: Termination (µm)                      2.54  
 Polarized to Mating Part                      Yes  
 Polarized to PCB                      Yes  
 Ports                      1  
 Surface Mount Compatible (SMC)                      Yes



**EU RoHS**

**ELV and RoHS  
 Compliant**  
**REACH SVHC  
 Contains SVHC: No**  
**Halogen-Free  
 Status**

**China RoHS**



**Need more information on product  
 environmental compliance?**

Email [productcompliance@molex.com](mailto:productcompliance@molex.com)  
 For a multiple part number RoHS Certificate of Compliance, [click here](#)

Please visit the [Contact Us](#) section for any non-product compliance questions.

**Search Parts in this Series**

[75784Series](#)

**Mates With**

iPass™ Cable Assemblies, [79575](#) , [79576](#) , [74562](#) , [74563](#) , [79536](#)

|                               |                             |
|-------------------------------|-----------------------------|
| Temperature Range - Operating | -40°C to +80°C              |
| Termination Interface: Style  | Surface Mount, Through Hole |
| Waterproof / Dustproof        | No                          |

### **Electrical**

|                               |                 |
|-------------------------------|-----------------|
| Current - Maximum per Contact | 0.5A            |
| Grounding to Panel            | None            |
| Shield Type                   | Full Shield     |
| Shielded                      | Yes             |
| Voltage - Maximum             | 30V AC (RMS)/DC |

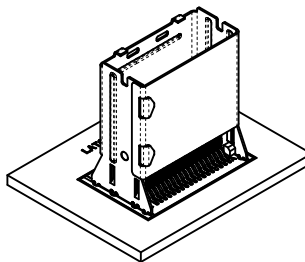
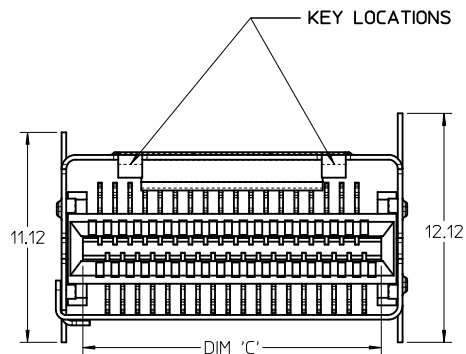
### **Material Info**

#### **Reference - Drawing Numbers**

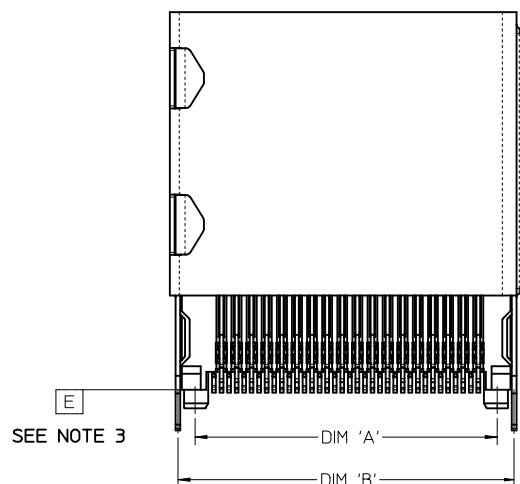
|                           |              |
|---------------------------|--------------|
| Application Specification | AS-75783-001 |
| Packaging Specification   | PK-75783-001 |
| Sales Drawing             | SD-75784-001 |

This document was generated on 05/28/2010

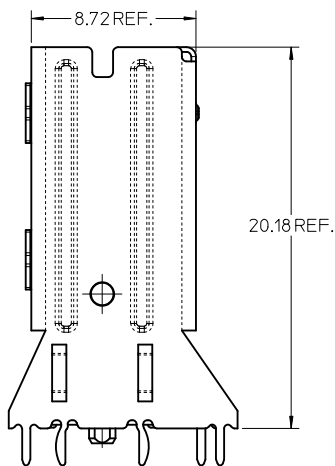
**PLEASE CHECK [WWW.MOLEX.COM](http://WWW.MOLEX.COM) FOR LATEST PART INFORMATION**



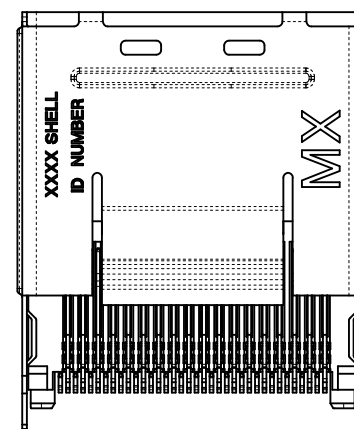
- NOTES:
- MATERIAL:
    - CONNECTOR:
      - HOUSING - HIGH TEMPERATURE THERMOPLASTIC GLASS FILLED, UL 94V-0, BLACK
      - TERMINALS - COPPER ALLOY
    - SHELL
      - NICKEL SILVER, C770, THICKNESS: 0.250/0.254
  - FINISH:
    - CONNECTOR
      - OPTION 1
        - CONTACT AREA - 0.38 $\mu$ m MIN GOLD OVER 2.54  $\mu$ m NICKEL
        - SOLDER FOOT AREA - 2.54-5.09 $\mu$ m TIN OVER 1.27  $\mu$ m NICKEL
      - OPTION 2
        - CONTACT AREA - 0.76 $\mu$ m MIN GOLD OVER 2.54  $\mu$ m NICKEL
        - SOLDER FOOT AREA - 2.54-5.09 $\mu$ m TIN OVER 1.27  $\mu$ m NICKEL
  - TERMINAL SOLDER FEET TO BE COPLANAR WITHIN 0.10 MEASURED FROM DATUM E
  - DATE CODE: 4 DIGIT (3 DIGIT DAY, 1 DIGIT YEAR) ON CONNECTOR ONLY
  - CIRCUIT IDENTIFIER: SEE APPROPRIATE INDUSTRY SPECIFICATION FOR LOCATION OF PIN 1
  - TO BE USED WITH THE FOLLOWING CABLE SERIES:
    - 79575/74563/79576/74573/79536/74562/74569/74586
  - PACKAGED PER PACKAGING SPECIFICATION: PK-75783-001
  - CONFORMS TO PRODUCT SPECIFICATION: PS-75783-001
  - PROCESS PER APPLICATION SPECIFICATION: AS-75783-001
  - THIS PART CONFORMS TO CLASS C REQUIREMENTS OF COSMETIC SPEC PS-45499-002



SEE NOTE 3



36 CIRCUIT  
RETENTION FIT  
SHELL OPTION SHOWN



iPass™ IS A TRADEMARK OF MOLEX

| CIRCUIT SIZE | DIM 'A' | DIM 'B' | DIM 'C' |
|--------------|---------|---------|---------|
| 26           | 12.00   | 13.80   | 11.80   |
| 36           | 16.00   | 17.80   | 15.80   |
| 50           | 21.60   | 23.40   | 21.40   |
| 68           | 28.80   | 30.60   | 28.60   |

| GEOMETRY UPDATE | EC NO:        | DATE       | DESCRIPTION |
|-----------------|---------------|------------|-------------|
|                 | UCP2010-1913  | 2010/02/03 |             |
|                 | DRWINKLANG    | 2010/03/24 |             |
|                 | CHKD:JSWENSON | 2010/03/24 |             |
|                 | APPR:MBANAKIS | 2010/03/25 |             |
| REV             | D2            |            |             |

| QUALITY SYMBOLS |
|-----------------|
| ▽=0             |
| ▽=0             |

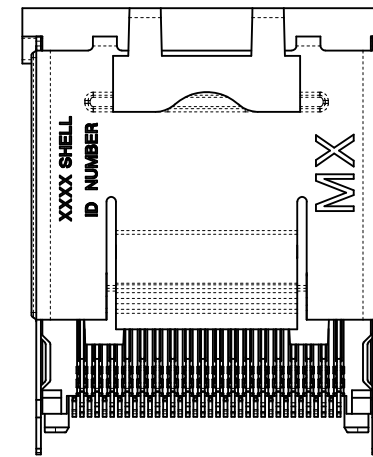
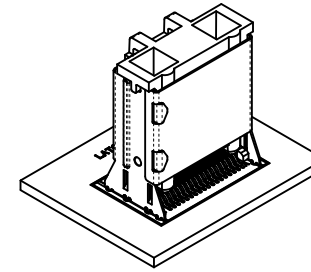
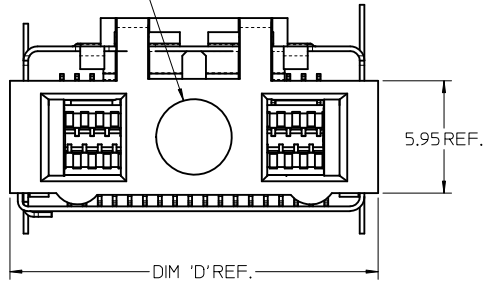
| GENERAL TOLERANCES (UNLESS SPECIFIED)                |       |
|--|-------|
| mm   | INCH  |
| 4 PLACES ± ---                                       | ± --- |
| 3 PLACES ± ---                                       | ± --- |
| 2 PLACES ± 0.13                                      | ± --- |
| 1 PLACE ± 0.25                                       | ± --- |
| ANGULAR ±1/2°  |       |
| DRAFT WHERE APPLICABLE MUST REMAIN WITHIN DIMENSIONS |       |

| DIMENSION STYLE   |          |
|---|----------|
| MM ONLY   |          |
| DRAWN BY  | DATE     |
| KLANG   | 02/09/05 |
| CHECKED BY  | DATE     |
| JSWENSON  | 02/09/05 |
| APPROVED BY   | DATE     |
| MBANAKIS  | 02/02/05 |
| MATERIAL NO.  |          |
| SEE CHART   |          |
| SIZE  |          |
| THIS DRAWING CONTAINS INFORMATION THAT IS PROPRIETARY TO MOLEX INCORPORATED AND SHOULD NOT BE USED WITHOUT WRITTEN PERMISSION |          |

| SCALE   | DESIGN UNITS | THIRD ANGLE PROJECTION |
|---|--------------|------------------------|
| 5:1   | METRIC       |                        |
| TITLE   |              |                        |
| I-PASS VERT CONNECTOR<br>INTERNAL ASSY W/SHELL<br>0.8MM PITCH I/O |              |                        |
| MOLEX MOLEX INCORPORATED  |              |                        |
| DOCUMENT NO.  | SHEET NO.    |                        |
| SD-75784-001  | 1 OF 12      |                        |

# ASSEMBLY WITH PRE-POSITIONING DEVICE

PICK & PLACE  
NOZZLE AREA



36 CIRCUIT RETENTION FIT SHOWN

NOTES:

1. PICK AND PLACE LOCATION DEFINED ON APPLICATION SPECIFICATION AS-75783-001
2. PACKAGING CONSISTS OF CONNECTOR AND SHELL WITH A PRE-POSITIONING PICK AND PLACE DEVICE THAT ARE PACKAGED IN 'TAPE AND REEL' FOR ROBOTIC PICK AND PLACE.

iPass™ IS A TRADEMARK OF MOLEX

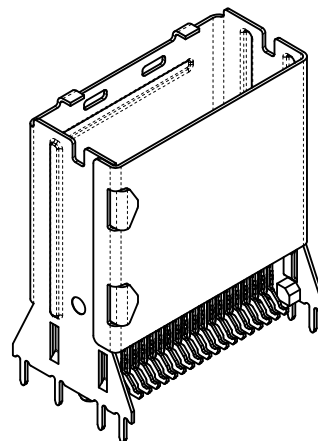
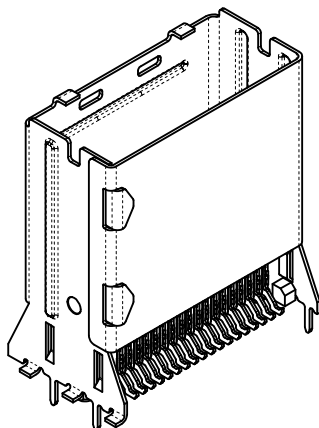
| CIRCUIT SIZE | DIM 'D' |
|--------------|---------|
| 26           | 15.50   |
| 36           | 19.50   |
| 50           | 25.10   |
| 68           | 32.30   |

| SEE SHEET 1<br>EC NO: UCP2010-1913<br>DRW: KLANG 2010/02/03<br>CHKD: JSWENSON 2010/03/24<br>APPR: MBANAK IS 2010/03/25 | DESCRIPTION<br>REV | QUALITY SYMBOLS<br>▽=0<br>▽=0 | GENERAL TOLERANCES (UNLESS SPECIFIED)<br><table border="1"> <thead> <tr> <th></th> <th>mm</th> <th>INCH</th> </tr> </thead> <tbody> <tr> <td>4 PLACES</td> <td>± ---</td> <td>± ---</td> </tr> <tr> <td>3 PLACES</td> <td>± ---</td> <td>± ---</td> </tr> <tr> <td>2 PLACES</td> <td>± 0.13</td> <td>± ---</td> </tr> <tr> <td>1 PLACE</td> <td>± 0.25</td> <td>± ---</td> </tr> </tbody> </table> |       | mm                           | INCH                 | 4 PLACES | ± --- | ± --- | 3 PLACES | ± --- | ± --- | 2 PLACES | ± 0.13 | ± --- | 1 PLACE | ± 0.25 | ± --- | DIMENSION STYLE<br><b>MM ONLY</b> | SCALE<br>5:1 | DESIGN UNITS<br>METRIC | THIRD ANGLE PROJECTION |
|--|--------------------|-------------------------------|--|-------|------------------------------|----------------------|----------|-------|-------|----------|-------|-------|----------|--------|-------|---------|--------|-------|-----------------------------------|--------------|------------------------|------------------------|
|  |                    |                               | mm   | INCH  |                              |                      |          |       |       |          |       |       |          |        |       |         |        |       |                                   |              |                        |                        |
|  |                    | 4 PLACES                      | ± ---  | ± --- |                              |                      |          |       |       |          |       |       |          |        |       |         |        |       |                                   |              |                        |                        |
|  |                    | 3 PLACES                      | ± ---  | ± --- |                              |                      |          |       |       |          |       |       |          |        |       |         |        |       |                                   |              |                        |                        |
| 2 PLACES   | ± 0.13             | ± ---                         |  |       |                              |                      |          |       |       |          |       |       |          |        |       |         |        |       |                                   |              |                        |                        |
| 1 PLACE  | ± 0.25             | ± ---                         |  |       |                              |                      |          |       |       |          |       |       |          |        |       |         |        |       |                                   |              |                        |                        |
| DRAWN BY<br>KLANG  |                    | DATE<br>02/09/05              | TITLE<br>I-PASS VERT CONNECTOR<br>INTERNAL ASSY W/SHELL<br>0.8MM PITCH I/O   |       |                              |                      |          |       |       |          |       |       |          |        |       |         |        |       |                                   |              |                        |                        |
| CHECKED BY<br>JSWENSON   |                    | DATE<br>02/09/05              | MOLEX MOLEX INCORPORATED   |       |                              |                      |          |       |       |          |       |       |          |        |       |         |        |       |                                   |              |                        |                        |
| APPROVED BY<br>MBANAK IS   |                    | DATE<br>02/02/05              | MATERIAL NO.<br>SEE CHART  |       | DOCUMENT NO.<br>SD-75784-001 | SHEET NO.<br>2 OF 12 |          |       |       |          |       |       |          |        |       |         |        |       |                                   |              |                        |                        |

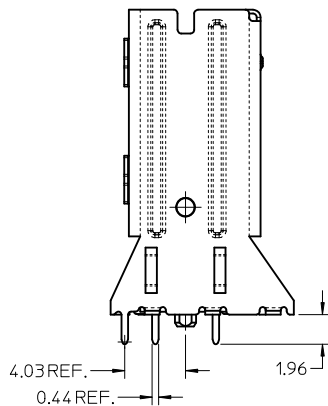
DRAFT WHERE APPLICABLE  
MUST REMAIN  
WITHIN DIMENSIONS

THIS DRAWING CONTAINS INFORMATION THAT IS PROPRIETARY TO MOLEX INCORPORATED AND SHOULD NOT BE USED WITHOUT WRITTEN PERMISSION

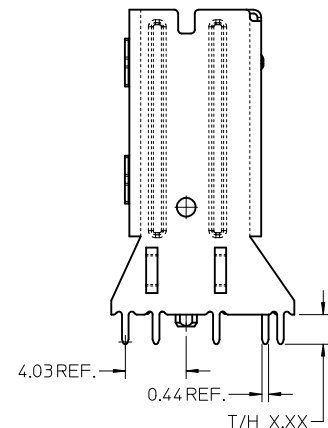
# SHELL PCB INTERFACE



**RETENTION-FIT  
SHELL OPTION**



**SMT SHELL OPTION**



**THRU-HOLE SHELL OPTION  
SEE TABLE FOR LENGTH  
(X.XX DENOTES LENGTH)**

RECOMMENDED PCB THICKNESS  
FOR SPECIFIED TAIL LENGTH

| TAIL LENGTH | PCB THICKNESS |
|-------------|---------------|
| 1.96        | 1.57 (.062)   |
| 2.79        | 2.36 (.093)   |
| 3.18        | 2.79 (.110)   |
| 3.56        | 3.18 (.125)   |

**NOTE:**  
RETENTION FIT DENOTES TAILS THAT OFFER RETENTION  
TO PCB DURING REFLOW PROCESS  
SMT DENOTES SURFACE MOUNT TERMINATION  
T/H X.XX DENOTES THRU-HOLE TAIL OF LENGTH X.XX

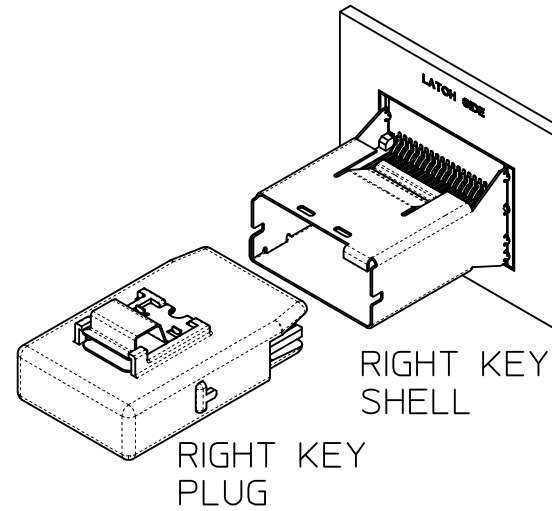
|   |                               |  |  |  |                     |                               |                        |  |  |
|---|-------------------------------|--|--|--|---------------------|-------------------------------|------------------------|--|--|
| SEE SHEET 1<br>EC NO: UCP2010-1913<br>DRW:KLANG 2010/02/03<br>CHKD:JSWENSON 2010/03/24<br>APPR:MBANAKIS 2010/03/25<br>D2      | QUALITY SYMBOLS<br>▽=0<br>▽=0 | GENERAL TOLERANCES (UNLESS SPECIFIED)  |  | DIMENSION STYLE<br><b>MM ONLY</b>  | SCALE<br><b>4:1</b> | DESIGN UNITS<br><b>METRIC</b> | THIRD ANGLE PROJECTION |  |  |
|   |                               |  |  |  |                     |                               |                        |  |  |
|   |                               |  |  |  |                     |                               |                        |  |  |
|   |                               |  |  |  |                     |                               |                        |  |  |
| DRAFT WHERE APPLICABLE<br>MUST REMAIN<br>WITHIN DIMENSIONS  |                               | DRAWN BY: KLANG<br>CHECKED BY: JSWENSON<br>APPROVED BY: MBANAKIS<br>DATE: 02/09/05<br>DATE: 02/09/05<br>DATE: 02/02/05 |  | TITLE:<br><b>I-PASS VERT CONNECTOR<br/>                 INTERNAL ASSY W/SHELL<br/>                 0.8MM PITCH I/O</b> |                     | MOLEX INCORPORATED            |                        |  |  |
|   |                               | SEE CHART  |  | DOCUMENT NO.<br><b>SD-75784-001</b>  |                     | SHEET NO.<br><b>3 OF 12</b>   |                        |  |  |
| THIS DRAWING CONTAINS INFORMATION THAT IS PROPRIETARY TO MOLEX INCORPORATED AND SHOULD NOT BE USED WITHOUT WRITTEN PERMISSION |                               |  |  |  |                     |                               |                        |  |  |

# KEYING OPTIONS



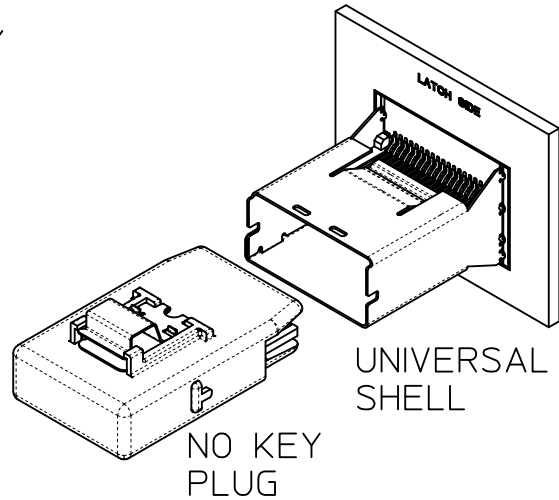
LEFT KEY SHELL

LEFT KEY PLUG



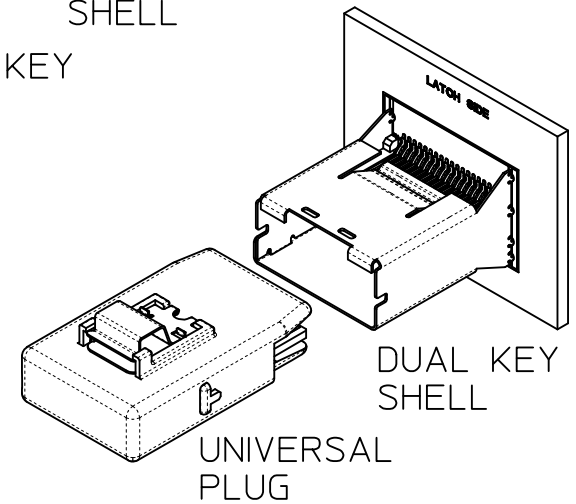
RIGHT KEY SHELL

RIGHT KEY PLUG



UNIVERSAL SHELL

NO KEY PLUG



DUAL KEY SHELL

UNIVERSAL PLUG

|                | UNIVERSAL SHELL | LEFT KEY SHELL | RIGHT KEY SHELL | DUAL KEY SHELL |
|----------------|-----------------|----------------|-----------------|----------------|
| NO KEY PLUG    | YES             | NO             | NO              | NO             |
| LEFT KEY PLUG  | YES             | YES            | NO              | NO             |
| RIGHT KEY PLUG | YES             | NO             | YES             | NO             |
| UNIVERSAL PLUG | YES             | YES            | YES             | YES            |

iPass™ IS A TRADEMARK OF MOLEX

| SEE SHEET 1<br>EC NO: UCP2010-1913<br>DRW:KLANG 2010/02/03<br>CHKD:JSWENSON 2010/03/24<br>APPR:MBANAKIS 2010/03/25 | QUALITY SYMBOLS<br>▽=0<br>▽=0 | GENERAL TOLERANCES (UNLESS SPECIFIED)<br><table border="1"> <thead> <tr> <th></th> <th>mm</th> <th>INCH</th> </tr> </thead> <tbody> <tr> <td>4 PLACES</td> <td>± .---</td> <td>± .---</td> </tr> <tr> <td>3 PLACES</td> <td>± .---</td> <td>± .---</td> </tr> <tr> <td>2 PLACES</td> <td>± 0.13</td> <td>± .---</td> </tr> <tr> <td>1 PLACE</td> <td>± 0.25</td> <td>± .---</td> </tr> </tbody> </table> |   | mm                | INCH | 4 PLACES | ± .--- | ± .--- | 3 PLACES | ± .--- | ± .--- | 2 PLACES | ± 0.13 | ± .--- | 1 PLACE | ± 0.25 | ± .--- | DIMENSION STYLE<br><b>MM ONLY</b><br>DRAWN BY: KLANG<br>DATE: 02/09/05<br>CHECKED BY: JSWENSON<br>DATE: 02/09/05<br>APPROVED BY: MBANAKIS<br>DATE: 02/02/05 | SCALE: 2:1<br>DESIGN UNITS: METRIC<br>THIRD ANGLE PROJECTION |
|--|-------------------------------|--|---|-------------------|------|----------|--------|--------|----------|--------|--------|----------|--------|--------|---------|--------|--------|---|--|
|  |                               | mm   | INCH  |                   |      |          |        |        |          |        |        |          |        |        |         |        |        |   |  |
|  | 4 PLACES                      | ± .---   | ± .---  |                   |      |          |        |        |          |        |        |          |        |        |         |        |        |   |  |
|  | 3 PLACES                      | ± .---   | ± .---  |                   |      |          |        |        |          |        |        |          |        |        |         |        |        |   |  |
| 2 PLACES   | ± 0.13                        | ± .---   |   |                   |      |          |        |        |          |        |        |          |        |        |         |        |        |   |  |
| 1 PLACE  | ± 0.25                        | ± .---   |   |                   |      |          |        |        |          |        |        |          |        |        |         |        |        |   |  |
| DRAFT WHERE APPLICABLE MUST REMAIN WITHIN DIMENSIONS   |                               | SEE CHART  | I-PASS VERT CONNECTOR<br>INTERNAL ASSY W/SHELL<br>0.8MM PITCH I/O |                   |      |          |        |        |          |        |        |          |        |        |         |        |        |   |  |
|  |                               | MOLEX INCORPORATED   |   | SHEET NO. 4 OF 12 |      |          |        |        |          |        |        |          |        |        |         |        |        |   |  |
|  |                               | THIS DRAWING CONTAINS INFORMATION THAT IS PROPRIETARY TO MOLEX INCORPORATED AND SHOULD NOT BE USED WITHOUT WRITTEN PERMISSION  |   |                   |      |          |        |        |          |        |        |          |        |        |         |        |        |   |  |

# 26 CIRCUIT ITEM NUMBERS

| CIRCUIT SIZE | ITEM NUMBER | PLATING OPTION | SHELL PCB OPTION | SHELL KEY OPTION |
|--------------|-------------|----------------|------------------|------------------|
| 26           | 75784-0007  | OPTION 1       | RETENTION        | LEFT             |
| 26           | 75784-0008  | OPTION 1       | RETENTION        | RIGHT            |
| 26           | 75784-0009  | OPTION 1       | RETENTION        | DUAL             |
| 26           | 75784-0010  | OPTION 1       | SMT              | LEFT             |
| 26           | 75784-0011  | OPTION 1       | SMT              | RIGHT            |
| 26           | 75784-0012  | OPTION 1       | SMT              | DUAL             |
| 26           | 75784-0019  | OPTION 2       | RETENTION        | LEFT             |
| 26           | 75784-0020  | OPTION 2       | RETENTION        | RIGHT            |
| 26           | 75784-0021  | OPTION 2       | RETENTION        | DUAL             |
| 26           | 75784-0022  | OPTION 2       | SMT              | LEFT             |
| 26           | 75784-0023  | OPTION 2       | SMT              | RIGHT            |
| 26           | 75784-0024  | OPTION 2       | SMT              | DUAL             |
| 26           | 75784-0025  | OPTION 1       | RETENTION        | UNIVERSAL        |
| 26           | 75784-0026  | OPTION 1       | SMT              | UNIVERSAL        |
| 26           | 75784-0027  | OPTION 2       | RETENTION        | UNIVERSAL        |
| 26           | 75784-0028  | OPTION 2       | SMT              | UNIVERSAL        |
| 26           | 75784-0029  | OPTION 1       | T/H 1.96         | LEFT             |
| 26           | 75784-0030  | OPTION 1       | T/H 1.96         | RIGHT            |
| 26           | 75784-0031  | OPTION 1       | T/H 1.96         | DUAL             |
| 26           | 75784-0032  | OPTION 1       | T/H 1.96         | UNIVERSAL        |
| 26           | 75784-0033  | OPTION 2       | T/H 1.96         | LEFT             |
| 26           | 75784-0034  | OPTION 2       | T/H 1.96         | RIGHT            |
| 26           | 75784-0035  | OPTION 2       | T/H 1.96         | DUAL             |
| 26           | 75784-0036  | OPTION 2       | T/H 1.96         | UNIVERSAL        |

| CIRCUIT SIZE | ITEM NUMBER | PLATING OPTION | SHELL PCB OPTION | SHELL KEY OPTION |
|--------------|-------------|----------------|------------------|------------------|
| 26           | 75784-0037  | OPTION 1       | T/H 2.79         | LEFT             |
| 26           | 75784-0038  | OPTION 1       | T/H 2.79         | RIGHT            |
| 26           | 75784-0039  | OPTION 1       | T/H 2.79         | DUAL             |
| 26           | 75784-0040  | OPTION 1       | T/H 2.79         | UNIVERSAL        |
| 26           | 75784-0041  | OPTION 2       | T/H 2.79         | LEFT             |
| 26           | 75784-0042  | OPTION 2       | T/H 2.79         | RIGHT            |
| 26           | 75784-0043  | OPTION 2       | T/H 2.79         | DUAL             |
| 26           | 75784-0044  | OPTION 2       | T/H 2.79         | UNIVERSAL        |
| 26           | 75784-0045  | OPTION 1       | T/H 3.18         | LEFT             |
| 26           | 75784-0046  | OPTION 1       | T/H 3.18         | RIGHT            |
| 26           | 75784-0047  | OPTION 1       | T/H 3.18         | DUAL             |
| 26           | 75784-0048  | OPTION 1       | T/H 3.18         | UNIVERSAL        |
| 26           | 75784-0049  | OPTION 2       | T/H 3.18         | LEFT             |
| 26           | 75784-0050  | OPTION 2       | T/H 3.18         | RIGHT            |
| 26           | 75784-0051  | OPTION 2       | T/H 3.18         | DUAL             |
| 26           | 75784-0052  | OPTION 2       | T/H 3.18         | UNIVERSAL        |

iPass™ IS A TRADEMARK OF MOLEX

| SEE SHEET 1<br>EC NO: UCP2010-1913<br>DRW:KLANG<br>CHKD:JSWENSON<br>APPR:MBANAKIS | 2010/02/03<br>2010/03/24<br>2010/03/25 | DESCRIPTION<br>REV               | QUALITY SYMBOLS<br>▽=0<br>▽=0                             | GENERAL TOLERANCES (UNLESS SPECIFIED)<br><table border="1"> <tr> <th></th> <th>mm</th> <th>INCH</th> </tr> <tr> <td>4 PLACES</td> <td>± ---</td> <td>± ---</td> </tr> <tr> <td>3 PLACES</td> <td>± ---</td> <td>± ---</td> </tr> <tr> <td>2 PLACES</td> <td>± 0.13</td> <td>± ---</td> </tr> <tr> <td>1 PLACE</td> <td>± 0.25</td> <td>± ---</td> </tr> </table> ANGULAR ±1/2° |       | mm | INCH | 4 PLACES | ± --- | ± --- | 3 PLACES | ± --- | ± --- | 2 PLACES | ± 0.13 | ± --- | 1 PLACE | ± 0.25 | ± --- | DIMENSION STYLE<br><b>MM ONLY</b><br>DRAWN BY: KLANG<br>DATE: 02/09/05<br>CHECKED BY: JSWENSON<br>DATE: 02/09/05<br>APPROVED BY: MBANAKIS<br>DATE: 02/02/05 | SCALE: 2:1<br>DESIGN UNITS: METRIC<br>THIRD ANGLE PROJECTION | TITLE:<br><b>I-PASS VERT CONNECTOR<br/>                 INTERNAL ASSY W/SHELL<br/>                 0.8MM PITCH I/O</b> |
|---|--|----------------------------------|---|--|-------|----|------|----------|-------|-------|----------|-------|-------|----------|--------|-------|---------|--------|-------|---|--|--|
|   |  |                                  |   | mm   | INCH  |    |      |          |       |       |          |       |       |          |        |       |         |        |       |   |  |  |
|   |  |                                  | 4 PLACES  | ± ---  | ± --- |    |      |          |       |       |          |       |       |          |        |       |         |        |       |   |  |  |
|   |  |                                  | 3 PLACES  | ± ---  | ± --- |    |      |          |       |       |          |       |       |          |        |       |         |        |       |   |  |  |
| 2 PLACES  | ± 0.13                                 | ± ---                            |   |  |       |    |      |          |       |       |          |       |       |          |        |       |         |        |       |   |  |  |
| 1 PLACE   | ± 0.25                                 | ± ---                            |   |  |       |    |      |          |       |       |          |       |       |          |        |       |         |        |       |   |  |  |
| DRAFT WHERE APPLICABLE<br>MUST REMAIN<br>WITHIN DIMENSIONS                        |  | MATERIAL NO.<br><b>SEE CHART</b> | MOLEX INCORPORATED<br>DOCUMENT NO.<br><b>SD-75784-001</b> | SHEET NO.<br>5 OF 12   |       |    |      |          |       |       |          |       |       |          |        |       |         |        |       |   |  |  |
| SIZE C  |  |                                  |   | THIS DRAWING CONTAINS INFORMATION THAT IS PROPRIETARY TO MOLEX INCORPORATED AND SHOULD NOT BE USED WITHOUT WRITTEN PERMISSION  |       |    |      |          |       |       |          |       |       |          |        |       |         |        |       |   |  |  |

# 36 CIRCUIT ITEM NUMBERS

| CIRCUIT SIZE | ITEM NUMBER | PLATING OPTION | SHELL PCB OPTION | SHELL KEY OPTION |
|--------------|-------------|----------------|------------------|------------------|
| 36           | 75784-0107  | OPTION 1       | RETENTION        | LEFT             |
| 36           | 75784-0108  | OPTION 1       | RETENTION        | RIGHT            |
| 36           | 75784-0109  | OPTION 1       | RETENTION        | DUAL             |
| 36           | 75784-0110  | OPTION 1       | SMT              | LEFT             |
| 36           | 75784-0111  | OPTION 1       | SMT              | RIGHT            |
| 36           | 75784-0112  | OPTION 1       | SMT              | DUAL             |
| 36           | 75784-0119  | OPTION 2       | RETENTION        | LEFT             |
| 36           | 75784-0120  | OPTION 2       | RETENTION        | RIGHT            |
| 36           | 75784-0121  | OPTION 2       | RETENTION        | DUAL             |
| 36           | 75784-0122  | OPTION 2       | SMT              | LEFT             |
| 36           | 75784-0123  | OPTION 2       | SMT              | RIGHT            |
| 36           | 75784-0124  | OPTION 2       | SMT              | DUAL             |
| 36           | 75784-0125  | OPTION 1       | RETENTION        | UNIVERSAL        |
| 36           | 75784-0126  | OPTION 1       | SMT              | UNIVERSAL        |
| 36           | 75784-0127  | OPTION 2       | RETENTION        | UNIVERSAL        |
| 36           | 75784-0128  | OPTION 2       | SMT              | UNIVERSAL        |
| 36           | 75784-0129  | OPTION 1       | T/H 1.96         | LEFT             |
| 36           | 75784-0130  | OPTION 1       | T/H 1.96         | RIGHT            |
| 36           | 75784-0131  | OPTION 1       | T/H 1.96         | DUAL             |
| 36           | 75784-0132  | OPTION 1       | T/H 1.96         | UNIVERSAL        |
| 36           | 75784-0133  | OPTION 2       | T/H 1.96         | LEFT             |
| 36           | 75784-0134  | OPTION 2       | T/H 1.96         | RIGHT            |
| 36           | 75784-0135  | OPTION 2       | T/H 1.96         | DUAL             |
| 36           | 75784-0136  | OPTION 2       | T/H 1.96         | UNIVERSAL        |

| CIRCUIT SIZE | ITEM NUMBER | PLATING OPTION | SHELL PCB OPTION | SHELL KEY OPTION |
|--------------|-------------|----------------|------------------|------------------|
| 36           | 75784-0137  | OPTION 1       | T/H 2.79         | LEFT             |
| 36           | 75784-0138  | OPTION 1       | T/H 2.79         | RIGHT            |
| 36           | 75784-0139  | OPTION 1       | T/H 2.79         | DUAL             |
| 36           | 75784-0140  | OPTION 1       | T/H 2.79         | UNIVERSAL        |
| 36           | 75784-0141  | OPTION 2       | T/H 2.79         | LEFT             |
| 36           | 75784-0142  | OPTION 2       | T/H 2.79         | RIGHT            |
| 36           | 75784-0143  | OPTION 2       | T/H 2.79         | DUAL             |
| 36           | 75784-0144  | OPTION 2       | T/H 2.79         | UNIVERSAL        |
| 36           | 75784-0145  | OPTION 1       | T/H 3.18         | LEFT             |
| 36           | 75784-0146  | OPTION 1       | T/H 3.18         | RIGHT            |
| 36           | 75784-0147  | OPTION 1       | T/H 3.18         | DUAL             |
| 36           | 75784-0148  | OPTION 1       | T/H 3.18         | UNIVERSAL        |
| 36           | 75784-0149  | OPTION 2       | T/H 3.18         | LEFT             |
| 36           | 75784-0150  | OPTION 2       | T/H 3.18         | RIGHT            |
| 36           | 75784-0151  | OPTION 2       | T/H 3.18         | DUAL             |
| 36           | 75784-0152  | OPTION 2       | T/H 3.18         | UNIVERSAL        |
| 36           | 75784-0153  | OPTION 1       | T/H 3.56         | LEFT             |
| 36           | 75784-0154  | OPTION 1       | T/H 3.56         | RIGHT            |
| 36           | 75784-0155  | OPTION 1       | T/H 3.56         | DUAL             |
| 36           | 75784-0156  | OPTION 1       | T/H 3.56         | UNIVERSAL        |
| 36           | 75784-0157  | OPTION 2       | T/H 3.56         | LEFT             |
| 36           | 75784-0158  | OPTION 2       | T/H 3.56         | RIGHT            |
| 36           | 75784-0159  | OPTION 2       | T/H 3.56         | DUAL             |
| 36           | 75784-0160  | OPTION 2       | T/H 3.56         | UNIVERSAL        |

iPass™ IS A TRADEMARK OF MOLEX

| SEE SHEET 1<br>EC NO: UCP2010-1913<br>DRW:KLANG<br>CHKD:JSWENSON<br>APPR:MBANAKIS | 2010/02/03<br>2010/03/24<br>2010/03/25 | DESCRIPTION<br>REV  | QUALITY SYMBOLS<br>▽=0<br>▽=0       | GENERAL TOLERANCES (UNLESS SPECIFIED)<br><table border="1"> <tr> <th></th> <th>mm</th> <th>INCH</th> </tr> <tr> <td>4 PLACES</td> <td>± .005</td> <td>± .0004</td> </tr> <tr> <td>3 PLACES</td> <td>± .005</td> <td>± .0004</td> </tr> <tr> <td>2 PLACES</td> <td>± 0.13</td> <td>± .005</td> </tr> <tr> <td>1 PLACE</td> <td>± 0.25</td> <td>± .010</td> </tr> </table> |         | mm | INCH | 4 PLACES | ± .005 | ± .0004 | 3 PLACES | ± .005 | ± .0004 | 2 PLACES | ± 0.13 | ± .005 | 1 PLACE | ± 0.25 | ± .010 | DIMENSION STYLE<br><b>MM ONLY</b> | SCALE<br><b>2:1</b> | DESIGN UNITS<br><b>METRIC</b> | THIRD ANGLE PROJECTION |
|---|--|---|-------------------------------------|--|---------|----|------|----------|--------|---------|----------|--------|---------|----------|--------|--------|---------|--------|--------|-----------------------------------|---------------------|-------------------------------|------------------------|
|   |  |   |                                     | mm   | INCH    |    |      |          |        |         |          |        |         |          |        |        |         |        |        |                                   |                     |                               |                        |
|   |  |   | 4 PLACES                            | ± .005   | ± .0004 |    |      |          |        |         |          |        |         |          |        |        |         |        |        |                                   |                     |                               |                        |
|   |  |   | 3 PLACES                            | ± .005   | ± .0004 |    |      |          |        |         |          |        |         |          |        |        |         |        |        |                                   |                     |                               |                        |
| 2 PLACES  | ± 0.13                                 | ± .005  |                                     |  |         |    |      |          |        |         |          |        |         |          |        |        |         |        |        |                                   |                     |                               |                        |
| 1 PLACE   | ± 0.25                                 | ± .010  |                                     |  |         |    |      |          |        |         |          |        |         |          |        |        |         |        |        |                                   |                     |                               |                        |
| DRAWN BY<br>KLANG   | DATE<br>02/09/05                       | TITLE<br><b>I-PASS VERT CONNECTOR<br/>                 INTERNAL ASSY W/SHELL<br/>                 0.8MM PITCH I/O</b> |                                     |  |         |    |      |          |        |         |          |        |         |          |        |        |         |        |        |                                   |                     |                               |                        |
| CHECKED BY<br>JSWENSON  | DATE<br>02/09/05                       | MOLEX MOLEX INCORPORATED  |                                     |  |         |    |      |          |        |         |          |        |         |          |        |        |         |        |        |                                   |                     |                               |                        |
| APPROVED BY<br>MBANAKIS   | DATE<br>02/02/05                       | MATERIAL NO.<br><b>SEE CHART</b>  | DOCUMENT NO.<br><b>SD-75784-001</b> | SHEET NO.<br>6 OF 12   |         |    |      |          |        |         |          |        |         |          |        |        |         |        |        |                                   |                     |                               |                        |

DRAFT WHERE APPLICABLE MUST REMAIN WITHIN DIMENSIONS

SEE CHART

THIS DRAWING CONTAINS INFORMATION THAT IS PROPRIETARY TO MOLEX INCORPORATED AND SHOULD NOT BE USED WITHOUT WRITTEN PERMISSION



# 50 CIRCUIT ITEM NUMBERS

| CIRCUIT SIZE | ITEM NUMBER | PLATING OPTION | SHELL PCB OPTION | SHELL KEY OPTION |
|--------------|-------------|----------------|------------------|------------------|
| 50           | 75784-0207  | OPTION 1       | RETENTION        | LEFT             |
| 50           | 75784-0208  | OPTION 1       | RETENTION        | RIGHT            |
| 50           | 75784-0209  | OPTION 1       | RETENTION        | DUAL             |
| 50           | 75784-0210  | OPTION 1       | SMT              | LEFT             |
| 50           | 75784-0211  | OPTION 1       | SMT              | RIGHT            |
| 50           | 75784-0212  | OPTION 1       | SMT              | DUAL             |
| 50           | 75784-0219  | OPTION 2       | RETENTION        | LEFT             |
| 50           | 75784-0220  | OPTION 2       | RETENTION        | RIGHT            |
| 50           | 75784-0221  | OPTION 2       | RETENTION        | DUAL             |
| 50           | 75784-0222  | OPTION 2       | SMT              | LEFT             |
| 50           | 75784-0223  | OPTION 2       | SMT              | RIGHT            |
| 50           | 75784-0224  | OPTION 2       | SMT              | DUAL             |
| 50           | 75784-0225  | OPTION 1       | RETENTION        | UNIVERSAL        |
| 50           | 75784-0226  | OPTION 1       | SMT              | UNIVERSAL        |
| 50           | 75784-0227  | OPTION 2       | RETENTION        | UNIVERSAL        |
| 50           | 75784-0228  | OPTION 2       | SMT              | UNIVERSAL        |
| 50           | 75784-0229  | OPTION 1       | T/H 1.96         | LEFT             |
| 50           | 75784-0230  | OPTION 1       | T/H 1.96         | RIGHT            |
| 50           | 75784-0231  | OPTION 1       | T/H 1.96         | DUAL             |
| 50           | 75784-0232  | OPTION 1       | T/H 1.96         | UNIVERSAL        |
| 50           | 75784-0233  | OPTION 2       | T/H 1.96         | LEFT             |
| 50           | 75784-0234  | OPTION 2       | T/H 1.96         | RIGHT            |
| 50           | 75784-0235  | OPTION 2       | T/H 1.96         | DUAL             |
| 50           | 75784-0236  | OPTION 2       | T/H 1.96         | UNIVERSAL        |

| CIRCUIT SIZE | ITEM NUMBER | PLATING OPTION | SHELL PCB OPTION | SHELL KEY OPTION |
|--------------|-------------|----------------|------------------|------------------|
| 50           | 75784-0237  | OPTION 1       | T/H 2.79         | LEFT             |
| 50           | 75784-0238  | OPTION 1       | T/H 2.79         | RIGHT            |
| 50           | 75784-0239  | OPTION 1       | T/H 2.79         | DUAL             |
| 50           | 75784-0240  | OPTION 1       | T/H 2.79         | UNIVERSAL        |
| 50           | 75784-0241  | OPTION 2       | T/H 2.79         | LEFT             |
| 50           | 75784-0242  | OPTION 2       | T/H 2.79         | RIGHT            |
| 50           | 75784-0243  | OPTION 2       | T/H 2.79         | DUAL             |
| 50           | 75784-0244  | OPTION 2       | T/H 2.79         | UNIVERSAL        |
| 50           | 75784-0245  | OPTION 1       | T/H 3.18         | LEFT             |
| 50           | 75784-0246  | OPTION 1       | T/H 3.18         | RIGHT            |
| 50           | 75784-0247  | OPTION 1       | T/H 3.18         | DUAL             |
| 50           | 75784-0248  | OPTION 1       | T/H 3.18         | UNIVERSAL        |
| 50           | 75784-0249  | OPTION 2       | T/H 3.18         | LEFT             |
| 50           | 75784-0250  | OPTION 2       | T/H 3.18         | RIGHT            |
| 50           | 75784-0251  | OPTION 2       | T/H 3.18         | DUAL             |
| 50           | 75784-0252  | OPTION 2       | T/H 3.18         | UNIVERSAL        |

iPass™ IS A TRADEMARK OF MOLEX

|  |                               |  |       |                                   |  |   |   |  |  |
|--|-------------------------------|--|-------|-----------------------------------|--|---|---|--|--|
| SEE SHEET 1<br>EC NO: UCP2010-1913<br>DRW:KLANG 2010/02/03<br>CHKD:JSWENSON 2010/03/24<br>APPR:MBANAKIS 2010/03/25 | QUALITY SYMBOLS<br>▽=0<br>▽=0 | GENERAL TOLERANCES (UNLESS SPECIFIED)                      |       | DIMENSION STYLE<br><b>MM ONLY</b> | SCALE<br><b>2:1</b>  | DESIGN UNITS<br><b>METRIC</b>   | THIRD ANGLE PROJECTION  |  |  |
|  |                               |  |       | DRAWN BY<br>KLANG                 | DATE<br>02/09/05   | TITLE<br><b>I-PASS VERT CONNECTOR<br/>INTERNAL ASSY W/SHELL<br/>0.8MM PITCH I/O</b> |   |  |  |
|  |                               | 4 PLACES ± ---   | ± --- | CHECKED BY<br>JSWENSON            | DATE<br>02/09/05   |   |   |  |  |
|  |                               | 3 PLACES ± ---   | ± --- | APPROVED BY<br>MBANAKIS           |  | DATE<br>02/02/05  | MOLEX MOLEX INCORPORATED<br>DOCUMENT NO. <b>SD-75784-001</b> SHEET NO. <b>7 OF 12</b> |  |  |
| ANGULAR ±1/2°  |                               | DRAFT WHERE APPLICABLE<br>MUST REMAIN<br>WITHIN DIMENSIONS |       | SEE CHART                         | THIS DRAWING CONTAINS INFORMATION THAT IS PROPRIETARY TO MOLEX<br>INCORPORATED AND SHOULD NOT BE USED WITHOUT WRITTEN PERMISSION |   |   |  |  |

# 68 CIRCUIT ITEM NUMBERS

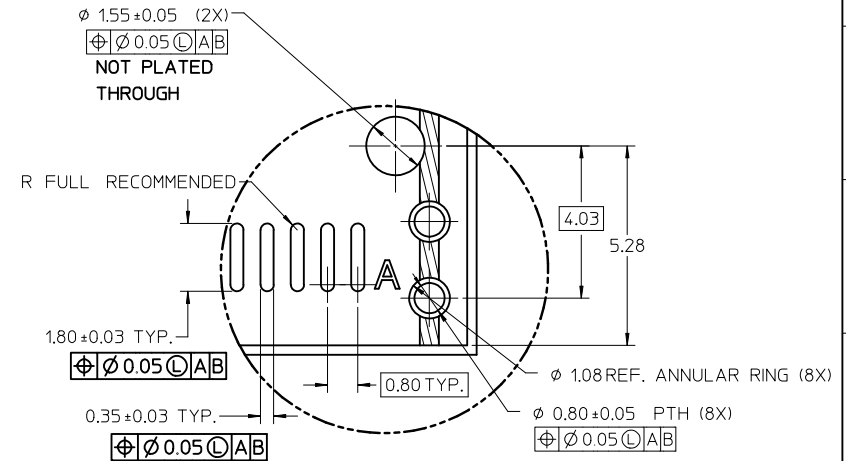
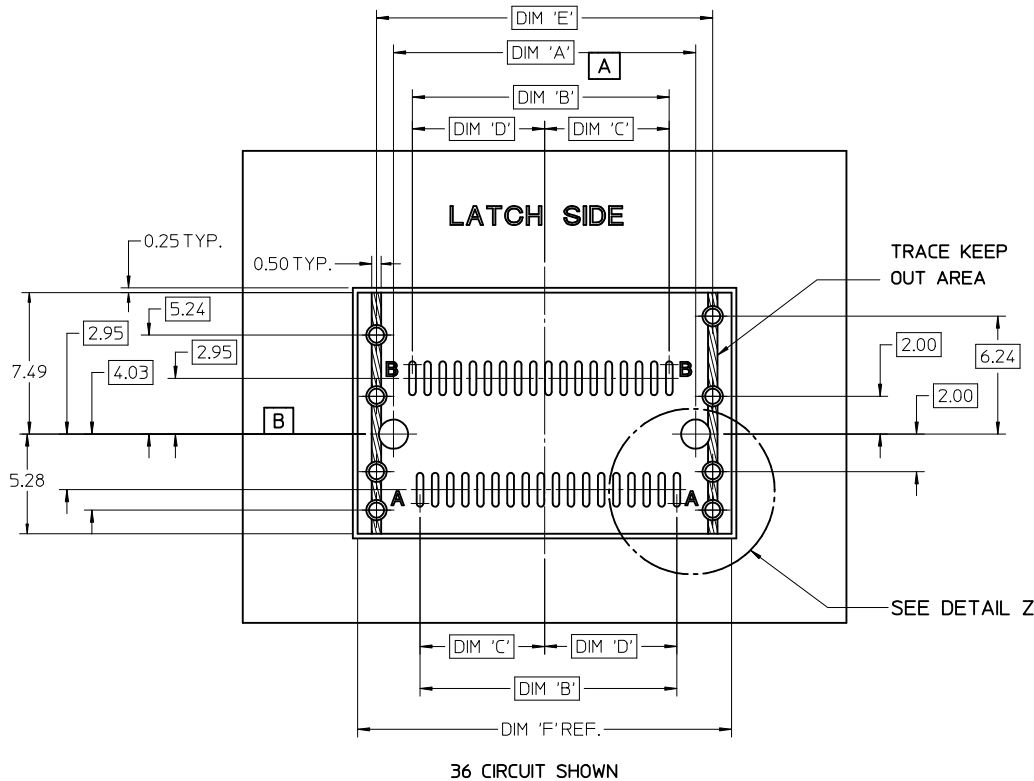
| CIRCUIT SIZE | ITEM NUMBER | PLATING OPTION | SHELL PCB OPTION | SHELL KEY OPTION |
|--------------|-------------|----------------|------------------|------------------|
| 68           | 75784-0307  | OPTION 1       | RETENTION        | LEFT             |
| 68           | 75784-0308  | OPTION 1       | RETENTION        | RIGHT            |
| 68           | 75784-0309  | OPTION 1       | RETENTION        | DUAL             |
| 68           | 75784-0310  | OPTION 1       | SMT              | LEFT             |
| 68           | 75784-0311  | OPTION 1       | SMT              | RIGHT            |
| 68           | 75784-0312  | OPTION 1       | SMT              | DUAL             |
| 68           | 75784-0319  | OPTION 2       | RETENTION        | LEFT             |
| 68           | 75784-0320  | OPTION 2       | RETENTION        | RIGHT            |
| 68           | 75784-0321  | OPTION 2       | RETENTION        | DUAL             |
| 68           | 75784-0322  | OPTION 2       | SMT              | LEFT             |
| 68           | 75784-0323  | OPTION 2       | SMT              | RIGHT            |
| 68           | 75784-0324  | OPTION 2       | SMT              | DUAL             |
| 68           | 75784-0325  | OPTION 1       | RETENTION        | UNIVERSAL        |
| 68           | 75784-0326  | OPTION 1       | SMT              | UNIVERSAL        |
| 68           | 75784-0327  | OPTION 2       | RETENTION        | UNIVERSAL        |
| 68           | 75784-0328  | OPTION 2       | SMT              | UNIVERSAL        |
| 68           | 75784-0329  | OPTION 1       | T/H 1.96         | LEFT             |
| 68           | 75784-0330  | OPTION 1       | T/H 1.96         | RIGHT            |
| 68           | 75784-0331  | OPTION 1       | T/H 1.96         | DUAL             |
| 68           | 75784-0332  | OPTION 1       | T/H 1.96         | UNIVERSAL        |
| 68           | 75784-0333  | OPTION 2       | T/H 1.96         | LEFT             |
| 68           | 75784-0334  | OPTION 2       | T/H 1.96         | RIGHT            |
| 68           | 75784-0335  | OPTION 2       | T/H 1.96         | DUAL             |
| 68           | 75784-0336  | OPTION 2       | T/H 1.96         | UNIVERSAL        |

| CIRCUIT SIZE | ITEM NUMBER | PLATING OPTION | SHELL PCB OPTION | SHELL KEY OPTION |
|--------------|-------------|----------------|------------------|------------------|
| 68           | 75784-0337  | OPTION 1       | T/H 2.79         | LEFT             |
| 68           | 75784-0338  | OPTION 1       | T/H 2.79         | RIGHT            |
| 68           | 75784-0339  | OPTION 1       | T/H 2.79         | DUAL             |
| 68           | 75784-0340  | OPTION 1       | T/H 2.79         | UNIVERSAL        |
| 68           | 75784-0341  | OPTION 2       | T/H 2.79         | LEFT             |
| 68           | 75784-0342  | OPTION 2       | T/H 2.79         | RIGHT            |
| 68           | 75784-0343  | OPTION 2       | T/H 2.79         | DUAL             |
| 68           | 75784-0344  | OPTION 2       | T/H 2.79         | UNIVERSAL        |
| 68           | 75784-0345  | OPTION 1       | T/H 3.18         | LEFT             |
| 68           | 75784-0346  | OPTION 1       | T/H 3.18         | RIGHT            |
| 68           | 75784-0347  | OPTION 1       | T/H 3.18         | DUAL             |
| 68           | 75784-0348  | OPTION 1       | T/H 3.18         | UNIVERSAL        |
| 68           | 75784-0349  | OPTION 2       | T/H 3.18         | LEFT             |
| 68           | 75784-0350  | OPTION 2       | T/H 3.18         | RIGHT            |
| 68           | 75784-0351  | OPTION 2       | T/H 3.18         | DUAL             |
| 68           | 75784-0352  | OPTION 2       | T/H 3.18         | UNIVERSAL        |

iPass™ IS A TRADEMARK OF MOLEX

| SEE SHEET 1<br>EC NO: UCP2010-1913<br>DRW:KLANG 2010/02/03<br>CHKD:JSWENSON 2010/03/24<br>APPR:MBANAKIS 2010/03/25 | QUALITY SYMBOLS<br>▼=0<br>▽=0 | GENERAL TOLERANCES (UNLESS SPECIFIED)                      | DIMENSION STYLE<br><b>MM ONLY</b>   | SCALE<br><b>2:1</b> | DESIGN UNITS<br><b>METRIC</b> | THIRD ANGLE PROJECTION                                    |       |                |       |                 |       |                |       |                   |                  |   |  |
|--|-------------------------------|--|---|---------------------|-------------------------------|---|-------|----------------|-------|-----------------|-------|----------------|-------|-------------------|------------------|---|--|
|  |                               |  | <table border="1" style="width: 100%; border-collapse: collapse;"> <tr> <th>mm</th> <th>INCH</th> </tr> <tr> <td>4 PLACES ± ---</td> <td>± ---</td> </tr> <tr> <td>3 PLACES ± ---</td> <td>± ---</td> </tr> <tr> <td>2 PLACES ± 0.13</td> <td>± ---</td> </tr> <tr> <td>1 PLACE ± 0.25</td> <td>± ---</td> </tr> </table> | mm                  | INCH                          | 4 PLACES ± ---  | ± --- | 3 PLACES ± --- | ± --- | 2 PLACES ± 0.13 | ± --- | 1 PLACE ± 0.25 | ± --- | DRAWN BY<br>KLANG | DATE<br>02/09/05 | TITLE<br><b>I-PASS VERT CONNECTOR<br/>                 INTERNAL ASSY W/SHELL<br/>                 0.8MM PITCH I/O</b> |  |
|  | mm                            | INCH   |   |                     |                               |   |       |                |       |                 |       |                |       |                   |                  |   |  |
|  | 4 PLACES ± ---                | ± ---  |   |                     |                               |   |       |                |       |                 |       |                |       |                   |                  |   |  |
| 3 PLACES ± ---   | ± ---                         |  |   |                     |                               |   |       |                |       |                 |       |                |       |                   |                  |   |  |
| 2 PLACES ± 0.13  | ± ---                         |  |   |                     |                               |   |       |                |       |                 |       |                |       |                   |                  |   |  |
| 1 PLACE ± 0.25   | ± ---                         |  |   |                     |                               |   |       |                |       |                 |       |                |       |                   |                  |   |  |
|  |                               | CHECKED BY<br>JSWENSON                                     | DATE<br>02/09/05  |                     |                               |   |       |                |       |                 |       |                |       |                   |                  |   |  |
|  |                               | ANGULAR ±1/2°  | APPROVED BY<br>MBANAKIS   |                     | DATE<br>02/02/05              | MOLEX INCORPORATED<br>DOCUMENT NO.<br><b>SD-75784-001</b> |       |                |       |                 |       |                |       |                   |                  |   |  |
|  |                               | DRAFT WHERE APPLICABLE<br>MUST REMAIN<br>WITHIN DIMENSIONS | SEE CHART   |                     | SHEET NO.<br>8 OF 12          |   |       |                |       |                 |       |                |       |                   |                  |   |  |

# VERTICAL CONNECTOR WITH RETENTION FIT & THRU-HOLE SHELL PCB FOOT PRINT

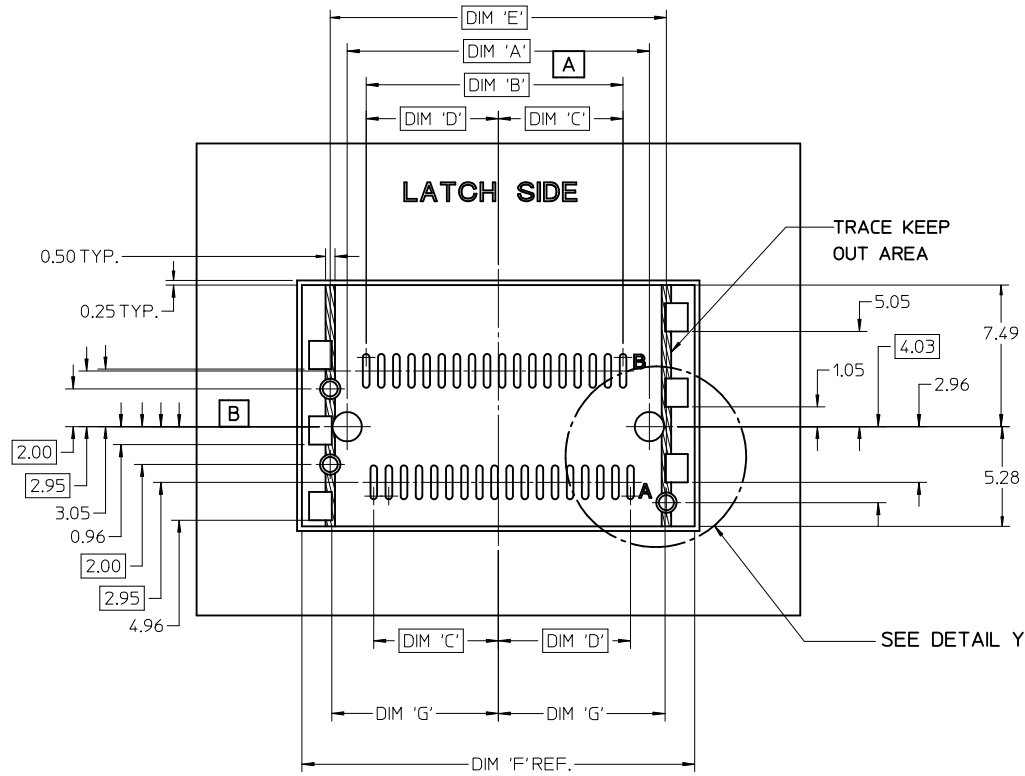


DETAIL Z  
SCALE 10:1

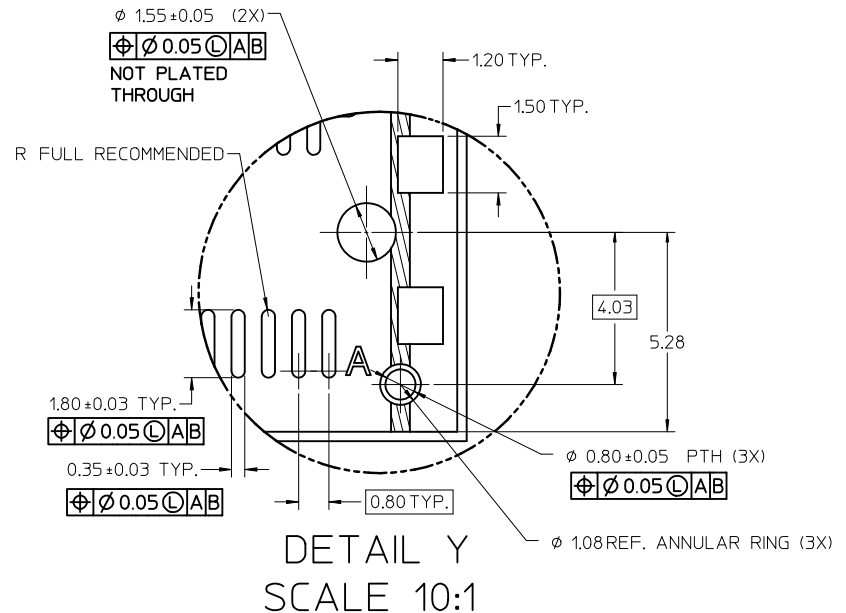
| CIRCUIT SIZE | DIMENSIONS |         |         |         |         |         |
|--------------|------------|---------|---------|---------|---------|---------|
|              | DIM 'A'    | DIM 'B' | DIM 'C' | DIM 'D' | DIM 'E' | DIM 'F' |
| 26           | 12.00      | 9.60    | 4.60    | 5.00    | 13.80   | 15.80   |
| 36           | 16.00      | 13.60   | 6.60    | 7.00    | 17.80   | 19.80   |
| 50           | 21.60      | 19.20   | 9.40    | 9.80    | 23.40   | 25.40   |
| 68           | 28.80      | 26.40   | 13.00   | 13.40   | 30.60   | 32.60   |

|  |                               |   |  |                                   |                     |                                     |                        |   |
|--|-------------------------------|---|--|-----------------------------------|---------------------|-------------------------------------|------------------------|---|
| SEE SHEET 1<br>EC NO: UCP2010-1913<br>DRW:KLANG 2010/02/03<br>CHKD:JSWENSON 2010/03/24<br>APPR:MBANAKIS 2010/03/25<br>D2 | QUALITY SYMBOLS<br>▽=0<br>▽=0 | GENERAL TOLERANCES (UNLESS SPECIFIED)   |  | DIMENSION STYLE<br><b>MM ONLY</b> | SCALE<br><b>5:1</b> | DESIGN UNITS<br><b>METRIC</b>       | THIRD ANGLE PROJECTION |   |
|  |                               | 4 PLACES ± --- ± ---<br>3 PLACES ± --- ± ---<br>2 PLACES ± 0.13 ± ---<br>1 PLACE ± 0.25 ± --- |  | DRAWN BY<br>KLANG                 |                     | DATE<br>02/09/05                    |                        | I-PASS VERT CONNECTOR<br>INTERNAL ASSY W/SHELL<br>0.8MM PITCH I/O<br>MOLEX INCORPORATED |
|  |                               | ANGULAR ± 1/2°  |  | CHECKED BY<br>JSWENSON            |                     | DATE<br>02/09/05                    |                        |   |
|  |                               | DRAFT WHERE APPLICABLE<br>MUST REMAIN<br>WITHIN DIMENSIONS                                    |  | APPROVED BY<br>MBANAKIS           |                     | DATE<br>02/02/05                    |                        |   |
|  |                               |   |  | MATERIAL NO.<br><b>SEE CHART</b>  |                     | DOCUMENT NO.<br><b>SD-75784-001</b> |                        |   |
|  |                               |   |  | SIZE<br>C                         |                     | SHEET NO.<br>9 OF 12                |                        |   |

# VERTICAL CONNECTOR WITH SMT SHELL PCB FOOT PRINT



36 CIRCUIT SHOWN



DETAIL Y  
SCALE 10:1

PEG TO PEG  
FIRST TO LAST PAD  
CENTERLINE TO PAD  
CENTERLINE TO PAD  
SHELL PEG TO PEG  
SHELL FOOTPRINT WIDTH  
CENTERLINE TO PAD EDGE

| CIRCUIT SIZE | DIM 'A' | DIM 'B' | DIM 'C' | DIM 'D' | DIM 'E' | DIM 'F' | DIM 'G' |
|--------------|---------|---------|---------|---------|---------|---------|---------|
| 26           | 12.00   | 9.60    | 4.60    | 5.00    | 13.80   | 16.80   | 6.825   |
| 36           | 16.00   | 13.60   | 6.60    | 7.00    | 17.80   | 20.80   | 8.825   |
| 50           | 21.60   | 19.20   | 9.40    | 9.80    | 23.40   | 26.40   | 11.625  |
| 68           | 28.80   | 26.40   | 13.00   | 13.40   | 30.60   | 33.60   | 15.225  |

| SEE SHEET 1<br>EC NO: UCP2010-1913<br>DRW:KLANG 2010/02/03<br>CHKD:JSWENSON 2010/03/24<br>APPR:MBANAKIS 2010/03/25<br>D2      | QUALITY SYMBOLS<br>▽=0<br>▽=0 | GENERAL TOLERANCES (UNLESS SPECIFIED)<br><table border="1" style="font-size: small;"> <tr> <th></th> <th>mm</th> <th>INCH</th> </tr> <tr> <td>4 PLACES</td> <td>± ---</td> <td>± ---</td> </tr> <tr> <td>3 PLACES</td> <td>± ---</td> <td>± ---</td> </tr> <tr> <td>2 PLACES</td> <td>± 0.13</td> <td>± ---</td> </tr> <tr> <td>1 PLACE</td> <td>± 0.25</td> <td>± ---</td> </tr> </table> ANGULAR ±1/2°<br><br>DRAFT WHERE APPLICABLE MUST REMAIN WITHIN DIMENSIONS |          | mm    | INCH  | 4 PLACES | ± --- | ± --- | 3 PLACES | ± --- | ± --- | 2 PLACES | ± 0.13 | ± --- | 1 PLACE | ± 0.25 | ± --- | DIMENSION STYLE<br><b>MM ONLY</b> | SCALE<br><b>5:1</b> | DESIGN UNITS<br><b>METRIC</b> | THIRD ANGLE PROJECTION |
|---|-------------------------------|--|----------|-------|-------|----------|-------|-------|----------|-------|-------|----------|--------|-------|---------|--------|-------|-----------------------------------|---------------------|-------------------------------|------------------------|
|   |                               |  |          | mm    | INCH  |          |       |       |          |       |       |          |        |       |         |        |       |                                   |                     |                               |                        |
|   |                               |  | 4 PLACES | ± --- | ± --- |          |       |       |          |       |       |          |        |       |         |        |       |                                   |                     |                               |                        |
|   |                               |  | 3 PLACES | ± --- | ± --- |          |       |       |          |       |       |          |        |       |         |        |       |                                   |                     |                               |                        |
| 2 PLACES  | ± 0.13                        | ± ---  |          |       |       |          |       |       |          |       |       |          |        |       |         |        |       |                                   |                     |                               |                        |
| 1 PLACE   | ± 0.25                        | ± ---  |          |       |       |          |       |       |          |       |       |          |        |       |         |        |       |                                   |                     |                               |                        |
| DRAWN BY: KLANG DATE: 02/09/05<br>CHECKED BY: JSWENSON DATE: 02/09/05<br>APPROVED BY: MBANAKIS DATE: 02/02/05                 |                               | TITLE<br><b>I-PASS VERT CONNECTOR<br/>INTERNAL ASSY W/SHELL<br/>0.8MM PITCH I/O</b>  |          |       |       |          |       |       |          |       |       |          |        |       |         |        |       |                                   |                     |                               |                        |
| MATERIAL NO.<br><b>SEE CHART</b>  |                               | DOCUMENT NO.<br><b>SD-75784-001</b>  |          |       |       |          |       |       |          |       |       |          |        |       |         |        |       |                                   |                     |                               |                        |
| THIS DRAWING CONTAINS INFORMATION THAT IS PROPRIETARY TO MOLEX INCORPORATED AND SHOULD NOT BE USED WITHOUT WRITTEN PERMISSION |                               |  |          |       |       |          |       |       |          |       |       |          |        |       |         |        |       |                                   |                     |                               |                        |

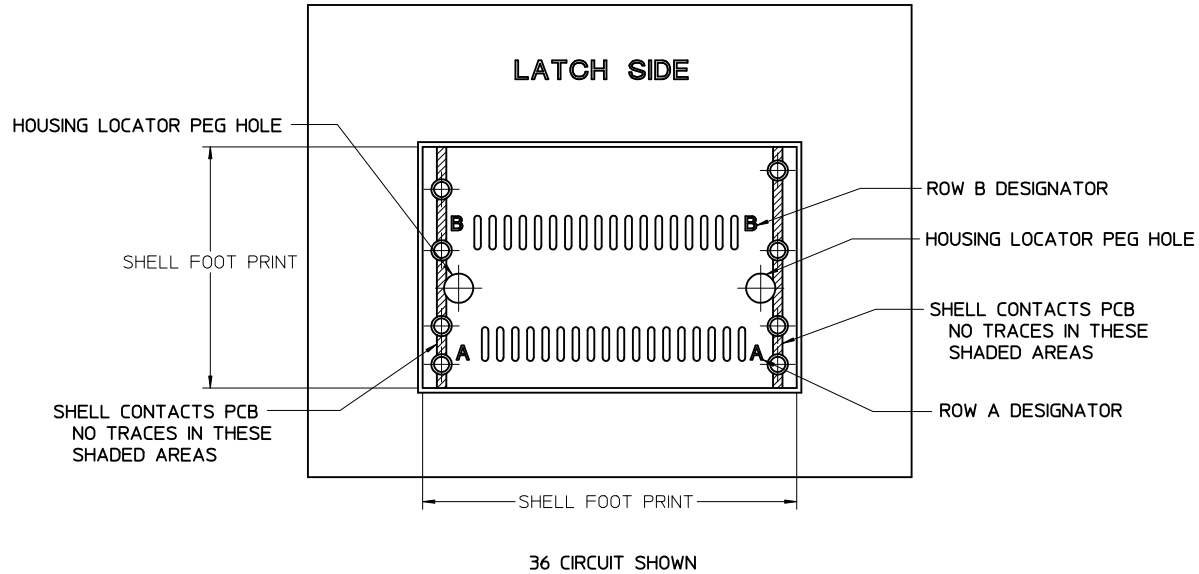
iPass™ IS A TRADEMARK OF MOLEX



**MOLEX INCORPORATED**

SHEET NO.  
10 OF 12

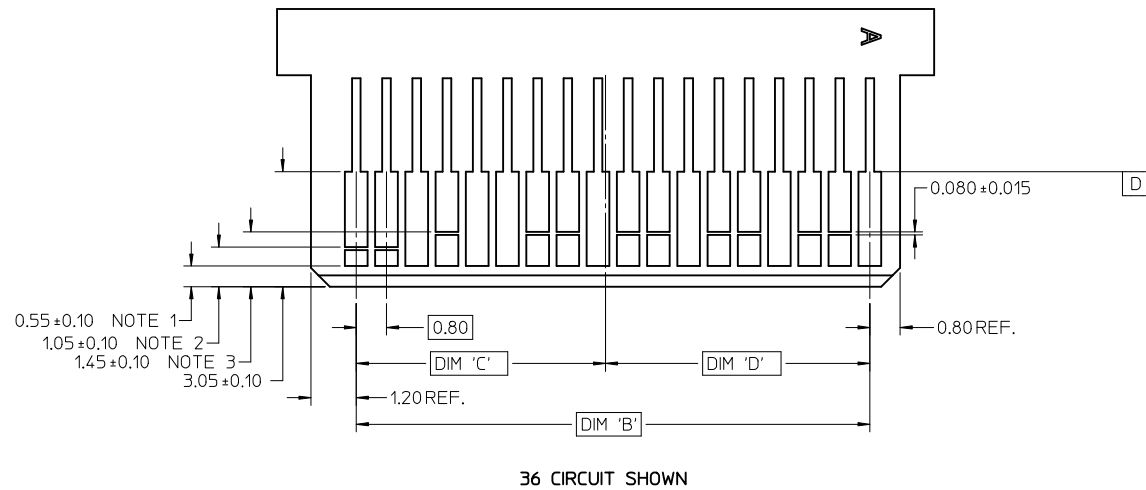
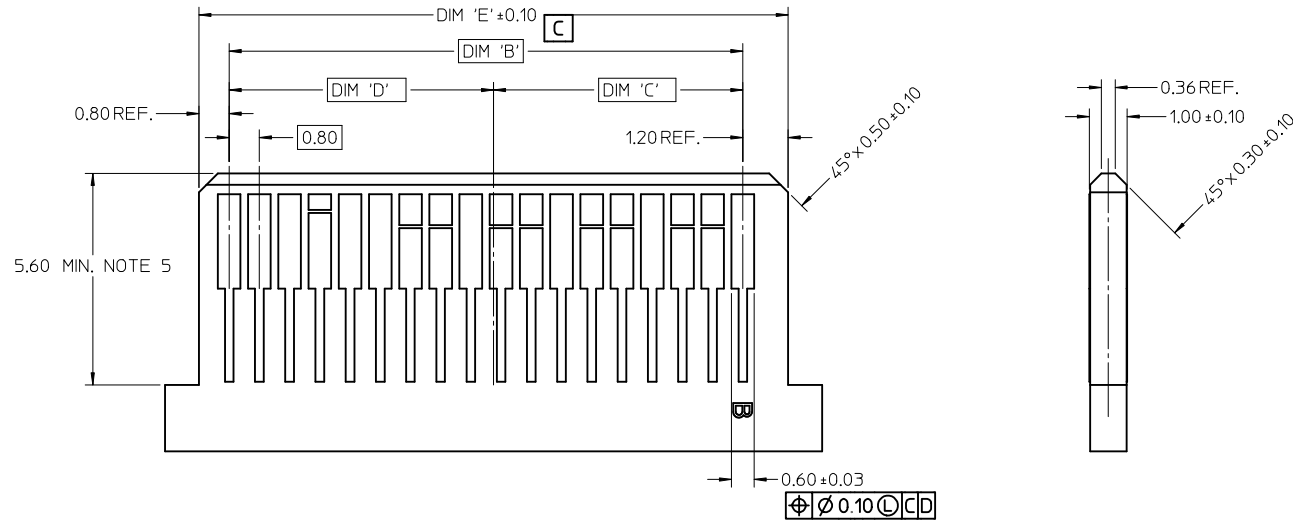
# VERTICAL CONNECTOR WITH SHELL PCB FOOT PRINT DESCRIPTIONS



iPass™ IS A TRADEMARK OF MOLEX

|  |                               |  |  |                                   |                                     |                               |   |  |
|--|-------------------------------|--|--|-----------------------------------|-------------------------------------|-------------------------------|---|--|
| SEE SHEET 1<br>EC NO: UCP2010-1913<br>DRW:KLANG 2010/02/03<br>CHKD:JSWENSON 2010/03/24<br>APPR:MBANAKIS 2010/03/25               | QUALITY SYMBOLS<br>▼=0<br>▽=0 | GENERAL TOLERANCES (UNLESS SPECIFIED)                      |  | DIMENSION STYLE<br><b>MM ONLY</b> | SCALE<br><b>5:1</b>                 | DESIGN UNITS<br><b>METRIC</b> | THIRD ANGLE PROJECTION  |  |
|  |                               |  |  |                                   | DRAWN BY<br>KLANG                   | DATE<br>02/09/05              | TITLE<br><b>I-PASS VERT CONNECTOR<br/>INTERNAL ASSY W/SHELL<br/>0.8MM PITCH I/O</b> |  |
|  |                               |  |  |                                   | CHECKED BY<br>JSWENSON              | DATE<br>02/09/05              |   |  |
|  |                               |  |  |                                   | APPROVED BY<br>MBANAKIS             | DATE<br>02/02/05              | MOLEX<br><b>MOLEX INCORPORATED</b>  |  |
| D2   | REV                           | DRAFT WHERE APPLICABLE<br>MUST REMAIN<br>WITHIN DIMENSIONS |  | MATERIAL NO.<br><b>SEE CHART</b>  | DOCUMENT NO.<br><b>SD-75784-001</b> | SHEET NO.<br>11 OF 12         |   |  |
| THIS DRAWING CONTAINS INFORMATION THAT IS PROPRIETARY TO MOLEX<br>INCORPORATED AND SHOULD NOT BE USED WITHOUT WRITTEN PERMISSION |                               |  |  |                                   |                                     |                               |   |  |

# MATING INTERFACE (FOR REFERENCE ONLY)



**NOTES:**

- PAD CONFIGURATION FOR FIRST MATE.
- PAD CONFIGURATION FOR SECOND MATE.
- PAD CONFIGURATION FOR THIRD MATE.  
(HIGH SPEED SIGNALS)
- FOR PIN ASSIGNMENTS AND MATING SEQUENCE  
(1ST, 2ND, 3RD), SEE APPLICABLE  
SPECIFICATION.
- MINIMUM STEP REQUIRED IF PCB MADE  
WIDER THAN TOUNGE.

iPass™ IS A TRADEMARK OF MOLEX

| CIRCUIT SIZE | TERM/SIDE 'N' | DIM 'B' | DIM 'C' | DIM 'D' | DIM 'E' |
|--------------|---------------|---------|---------|---------|---------|
| 26           | 13            | 9.60    | 4.60    | 5.00    | 11.60   |
| 36           | 18            | 13.60   | 6.60    | 7.00    | 15.60   |
| 50           | 25            | 19.20   | 9.40    | 9.80    | 21.20   |
| 68           | 34            | 26.40   | 13.00   | 13.40   | 28.40   |

|  |             |            |            |
|--|-------------|------------|------------|
| SEE SHEET 1<br>EC NO: UCP2010-1913<br>DRAWN BY: DRWINKLANG<br>CHKD: JSWENSON<br>APPR: MBANAKIS | 2010/02/03  | 2010/03/24 | 2010/03/25 |
|  | DESCRIPTION |            |            |
|  | REV         |            |            |
|  | D2          |            |            |

QUALITY SYMBOLS  
 =0  
 <math>\nabla</math>=0

GENERAL TOLERANCES (UNLESS SPECIFIED)

|          | mm     | INCH  |
|----------|--------|-------|
| 4 PLACES | ± ---  | ± --- |
| 3 PLACES | ± ---  | ± --- |
| 2 PLACES | ± 0.13 | ± --- |
| 1 PLACE  | ± 0.25 | ± --- |

ANGULAR ±1/2°

DRAFT WHERE APPLICABLE  
MUST REMAIN  
WITHIN DIMENSIONS

DIMENSION STYLE  
**MM ONLY**

|             |          |
|-------------|----------|
| DRAWN BY    | DATE     |
| KLANG       | 02/09/05 |
| CHECKED BY  | DATE     |
| JSWENSON    | 02/09/05 |
| APPROVED BY | DATE     |
| MBANAKIS    | 02/02/05 |

MATERIAL NO.  
**SEE CHART**

SIZE  
C

|   |                        |                        |
|---|------------------------|------------------------|
| SCALE<br>10:1   | DESIGN UNITS<br>METRIC | THIRD ANGLE PROJECTION |
| TITLE<br><b>I-PASS VERT CONNECTOR<br/>INTERNAL ASSY W/SHELL<br/>0.8MM PITCH I/O</b> |                        |                        |
| MOLEX MOLEX INCORPORATED  |                        | SHEET NO.<br>12 OF 12  |
| DOCUMENT NO.<br><b>SD-75784-001</b>   |                        |                        |

THIS DRAWING CONTAINS INFORMATION THAT IS PROPRIETARY TO MOLEX INCORPORATED AND SHOULD NOT BE USED WITHOUT WRITTEN PERMISSION