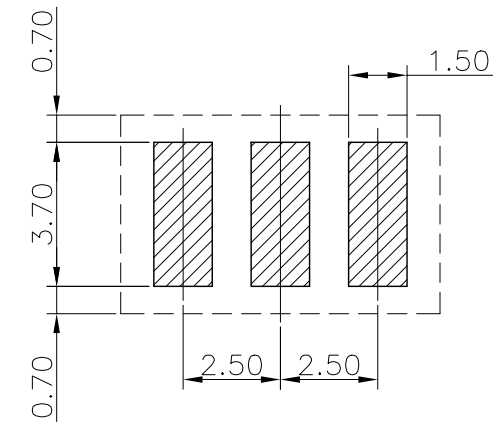


Recommended P.C.B. Layout
(Component Side)



NOTE:
250007MA003□□04ZR
1

1. Selective plating
 G1-05u"Gold over Nickel.
 G2-Indicate Gold flash.
 G3-10u"Gold over Nickel.
 G4-15u"Gold over Nickel.
 G5-30u"Gold over Nickel.

SPECIFICATION:

- ① Insulation: L.C.P. UL94V-0, Black
Terminal: Phosphor Bronze.
- ② Plating thickness:
15u"min(0.381 um) Gold plating over
Nickel plated at contact area.
- ③ ALL Push force: 165g min



4				
3				
2	Terminal	C5210 H		Gold plated
1	HOUSING	High temp plastic	BLACK	UL 94V-0
NO.	DESCRIPTION	MATERIAL	COLOR	REMARK

SUYIN
CONNECTOR

CUSTOMER COPY TITLE: 2.5mm Pitch Battery Connector

PART NO.	250007MA003GX04ZR
PART NO. (OLD)	
DRAWING NO.	250007MA003GX04ZR
SCALE	5:1
UNIT	mm
A4	

Angle	±2°	DRAW	蔡志鴻	03/08/11
30 ~	±0.50	DESIGN	蔡志鴻	03/08/11
10 ~ 30	±0.30	CHECK	陳清照	03/08/11
~ 10	±0.15	APPRO.	陳清照	03/08/11
GENERAL TOLERANCE UNLESS OTHERWISE NOTED				

ECN (DCN) NO.	REV	DATE	DESCRIPTION	CHANGE	APPRO.
	0	03/08/14	A1:取消SX之電鍍規格; A2:修改料號 NEW		