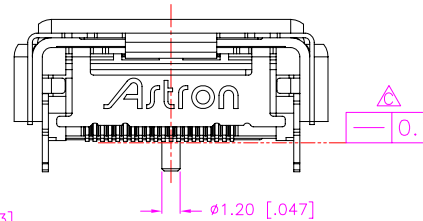
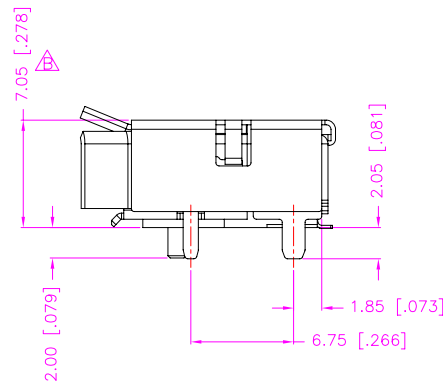
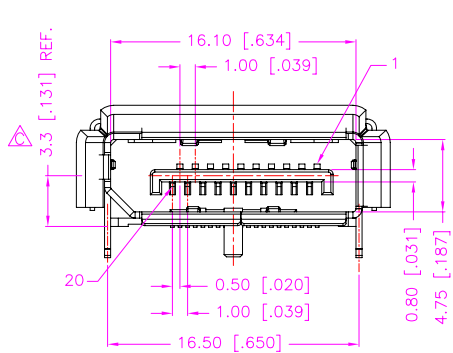
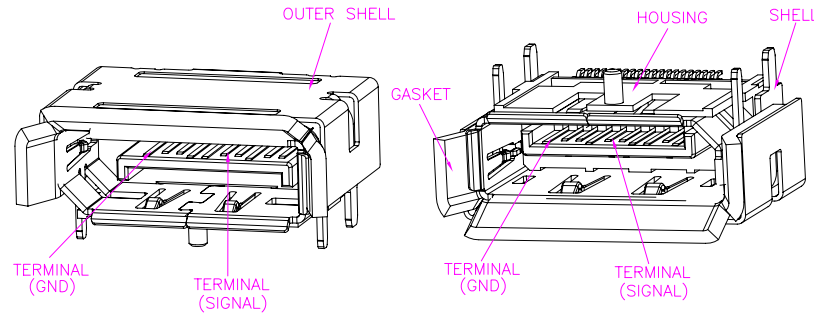
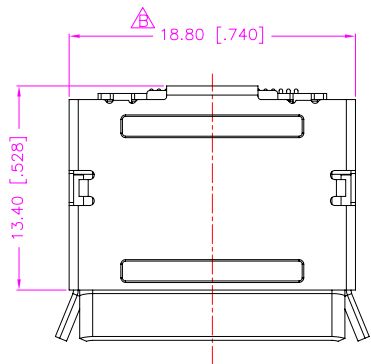


REV.	DESCRIPTION	DATE
A	RELEASE	Feb. 14, 2008
B	MODIFY DRAW	Feb. 19, 2008
C	DIM. MODIFY	Jun. 13, 2008
D	ADD PACKING	Sep. 04, 2008



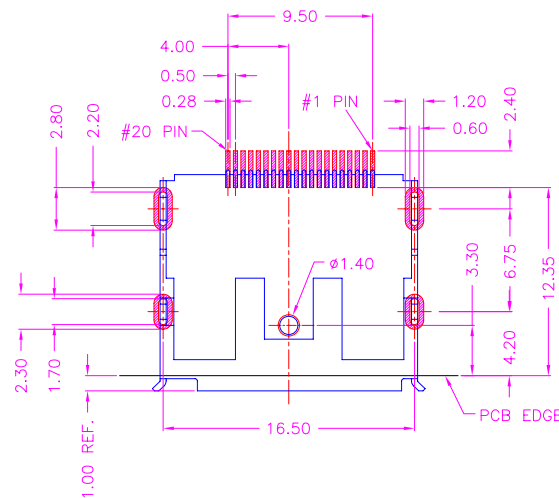
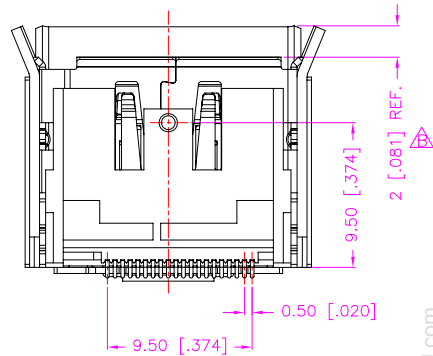
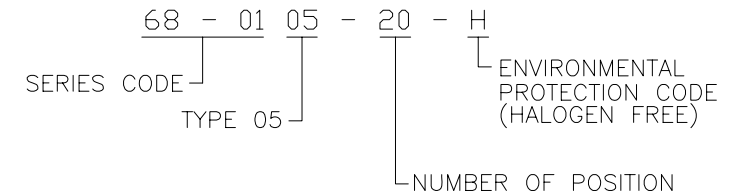
MATERIALS

1. HOUSING : L.C.P. (UL 94V-0), BLACK.
2. TERMINAL : PHOSPHOR BRONZE, GOLD PLATING.
3. SHELL : PHOSPHOR BRONZE, NICKEL PLATING.
4. OUTER SHELL : STAINLESS STEEL.

SPECIFICATION

1. CURRENT RATING : 0.5 AMP. MAX.
2. DIELECTRIC WITHSTANDING VOLTAGE : 500V AC R.M.S. FOR ONE MINUTE.
3. INSULATION RESISTANCE : 100M OHMS MIN. AT 500V DC
4. CONTACT RESISTANCE : 30m OHMS MAX.
5. OPERATING TEMPERATURE : -40°C TO +85°C.
6. DURABILITY : 10000 CYCLES.
7. MATING FORCE : 4.5kgf MAX.
8. UNMATING FORCE : 1.0kgf MIN.

PART NUMBER INFORMATION

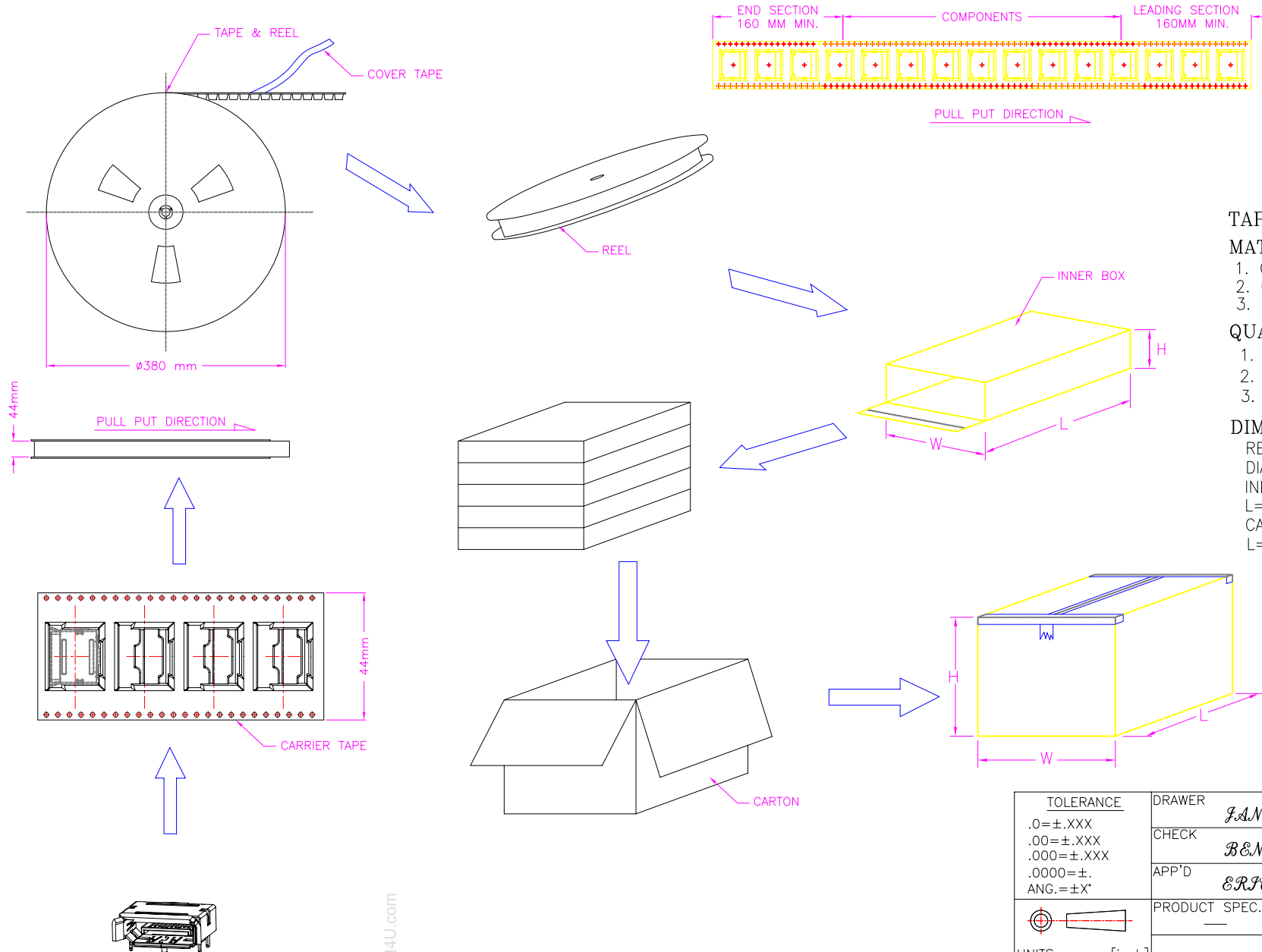


RECOMMEND P.C.B. LAYOUT
TOP VIEW

TOLERANCE .0=±.30 [0.12] .00=±.20 [0.008] .000=±.XXX .0000=±. ANG.=±3°		DRAWER <i>JANPE</i>	 WWW.ASTRON.COM.TW
UNITS : mm [inch]		CHECK <i>BEN</i>	
SCALE NONE	SIZE A4	APP'D <i>ERH</i>	DRAW NO. 68-0105-20-H
SHEET 1 OF 2	REV. D	PRODUCT SPEC. ---	08005

REV.	DESCRIPTION	DATE
A	RELEASE	Feb. 14, 2008
B	MODIFY DRAW	Feb. 19, 2008
C	DIM. MODIFY	Jun. 13, 2008
D	ADD PACKING	Sep. 04, 2008

www.DataSheet4U.com



TAPE & PACKAGE :

MATERIAL :

- CARRIER TAPE : PS
- COVER TAPE: PE
- REEL : PS

QUANTITY:


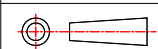
- 300 PCS PER REEL
- 300 PCS REEL PER INNER BOX
- 1500 PCS INNER BOX PER CARTON

DIMENSION :

REEL SIZE :
 DIA=380.0mm, W=44.0mm

INNER BOX :
 L=387mm, W=387mm H=67mm

CARTON :
 L=420mm, W=406mm, H=380mm

TOLERANCE		DRAWER		 WWW.ASTRON.COM.TW
.0=±.XXX		JANPE		
.00=±.XXX		CHECK		
.000=±.XXX		BEN		
.0000=±.		APP'D		NAME
ANG.=±X°		ERP		DISPLAY PORT P.C.B. END WITH CONDUCTIVE GASKET TAPE & REEL PACKAGE
		PRODUCT SPEC.		DRAW NO.
UNITS : mm [inch]				68-0105-20-H
SCALE	SIZE	SHEET	REV.	08005
NONE	A4	2 OF 2	D	

www.DataSheet4U.com