

This document was generated on 03/26/2010

**PLEASE CHECK WWW.MOLEX.COM FOR LATEST PART INFORMATION**

**Part Number:** **0082285750**  
**Status:** **Active**  
**Description:** 1.27mm (.050") Pitch Round Conductor Flat Cable - 28 AWG (7 x 36) Stranded Tinned, 50 Circuits, Reel 30.48m (100.0' ) Length

**Documents:**

[Drawing \(PDF\)](#) [RoHS Certificate of Compliance \(PDF\)](#)

**Agency Certification**

CSA LR61126  
 UL E61522

**General**

Product Family Cable  
 Series **6800**  
 Crimp Quality Equipment Yes  
 Geographic Area Asia  
 Product Name Ribbon

**Physical**

Cable Length 30.48m (100.0' )  
 Circuits (Loaded) 50  
 Insulation PVC  
 Packaging Type Reel  
 Pitch - Term. Interface (in) 0.050 In  
 Pitch - Term. Interface (mm) 1.27 mm  
 Temperature Range - Operating -20°C to +105°C  
 Wire Size AWG 28  
 Wire/Cable Type (7x36) Stranded, Tinned

**Electrical**

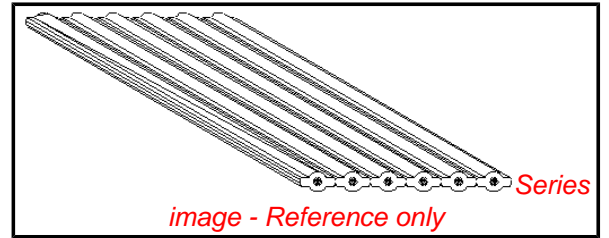
Current - Maximum per Contact N/A  
 Voltage - Maximum 300V

**Material Info**

Old Part Number 6800-50-100B

**Reference - Drawing Numbers**

Sales Drawing SD-6800-001



**EU RoHS**

**ELV and RoHS Compliant**  
**REACH SVHC**  
 Not Reviewed  
**Halogen-Free Status**  
 Not Reviewed

**China RoHS**



**Need more information on product environmental compliance?**

Email [productcompliance@molex.com](mailto:productcompliance@molex.com)  
 For a multiple part number RoHS Certificate of Compliance, [click here](#)

Please visit the [Contact Us](#) section for any non-product compliance questions.

**Search Parts in this Series**

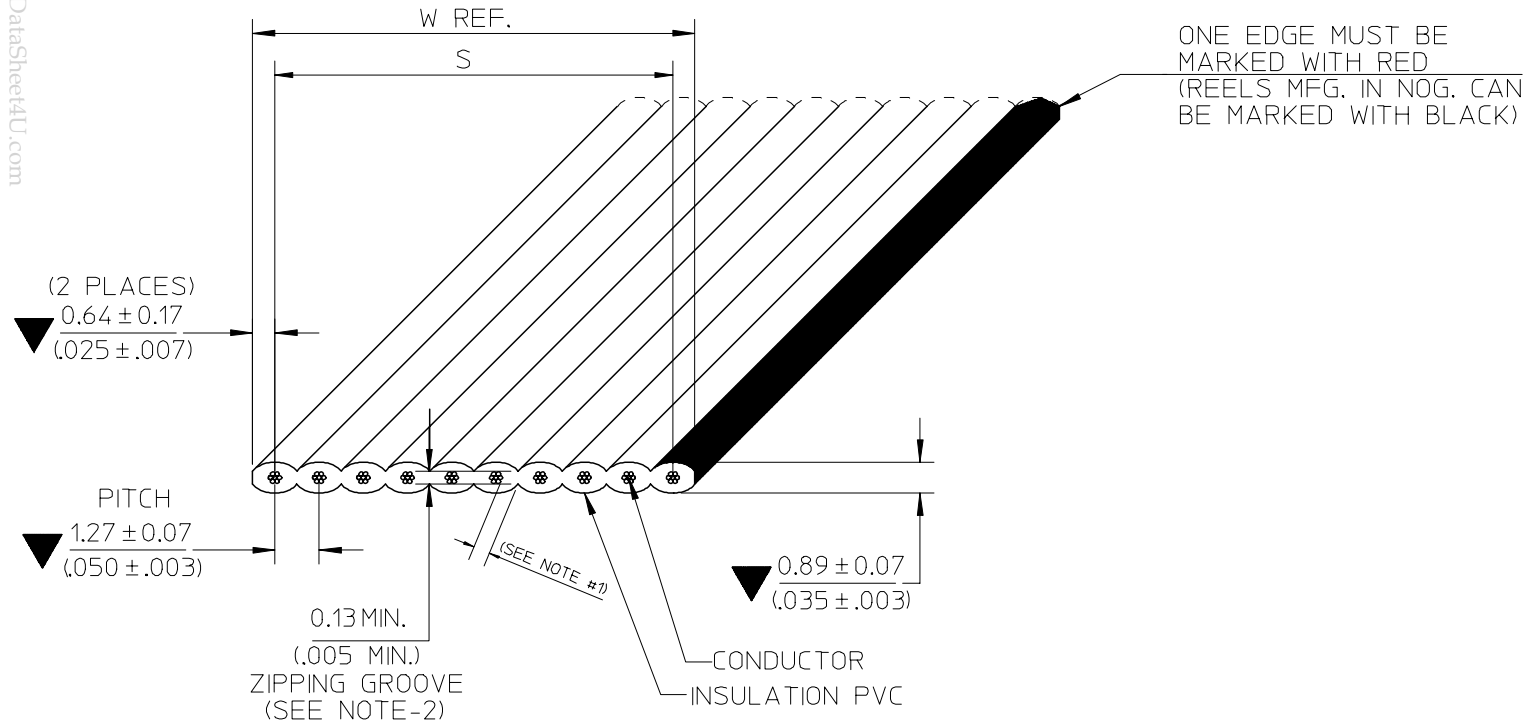
6800Series

**Use With**

[70121](#) MX-50™ Slimline Ribbon Cable.  
[90584](#) Picoflex® PF-50 IDT Receptacle

This document was generated on 03/26/2010

**PLEASE CHECK WWW.MOLEX.COM FOR LATEST PART INFORMATION**



- NOTE :
1. THE CABLE SHALL HAVE A MINIMUM OF 0.178mm. (.007") THICKNESS INSULATION AT ANY POINT
  2. RIP TEST:
    - THE 0.13mm. (.005") ZIPPING GROOVE SHALL BE CAPABLE OF BEING RIPPED BY HAND WITHIN THE RECESS, WITHOUT EXPOSING THE ADJACENT CONDUCTORS
  3. RoHS AND LEAD FREE COMPLIANT
  4. SPECIAL REQUIREMENT: N/A

E-07-0748	B <sub>1</sub> : ADD NON-OPERATING TEMP.	07/11/23
N/A	NEW RELEASE	06/07/12
EC NO.	DETAIL	DATE

SEE CHANGE DETAIL. EC NO: THL2008-0015 DRWN: CPANSAKHOM 2007/11/28 CHKD: DNARINTARA 2007/11/29 APPR: SVIRATJAPOL 2007/12/04	QUALITY SYMBOLS ▽=3 ∇=0	GENERAL TOLERANCES (UNLESS SPECIFIED)		DIMENSION STYLE MM/IN	SCALE NTS	DESIGN UNITS INCH	THIRD ANGLE PROJECTION
			mm	INCH	DRAWN BY CPANSAKHOM	DATE 2006/07/12	TITLE FCB ROUND CONDUCTOR 1.27MM(.050)CENTERS PVC. 28AWG STR TINNED
		4 PLACES	±---	±---	CHECKED BY PMEECHAI	DATE 2006/07/12	MOLEX INCORPORATED
		3 PLACES	±---	±---	APPROVED BY SVIRATJAPOL	DATE 2006/07/12	
			ANGULAR ±---°		MATERIAL NO. SEE CHART	DOCUMENT NO. SD-6800-001	SHEET NO. 1 OF 3
		DRAFT WHERE APPLICABLE MUST REMAIN WITHIN DIMENSIONS		THIS DRAWING CONTAINS INFORMATION THAT IS PROPRIETARY TO MOLEX INCORPORATED AND SHOULD NOT BE USED WITHOUT WRITTEN PERMISSION			

SPECIFICATIONS

PHYSICAL

CONDUCTOR SPACING ..... 1.27(.050")  $\overline{C_L}$  TO  $\overline{C_L}$   
 WIRE GAUGE ..... 28 AWG(7/36) AWG, STRANDED TINNED  
 INSULATION ..... P.V.C GRAY (LEAD FREE)

AGENCY

U.L. STYLE NO. .... 2651  
 TEMPERATURE RATING ..... -20°C TO 105°C  
 VOLTAGE RATING ..... 300V.MAX.  
 FLAMMABILITY RATING ..... VW-1

ELECTRICAL

CONDUCTOR RESISTANCE (D.C.) ..... 68 m OHMS/FT. MAX.  
 CHARACTERISTIC IMPEDANCE ..... 123 OHMS NOM. (GS)  
 100 OHMS NOM. (GSG)  
 CAPACITANCE ..... 9.1 pF/FT. NOM. (GS)  
 17.0 pF/FT. NOM. (GSG)  
 PROPAGATION DELAY ..... 1.4 ns/FT. NOM.  
 INSULATION RESISTANCE ..... 10M OHMS (10FT. SAMPLE)  
 DIELECTRIC WITHSTAND VOLTAGE ..... 2000 VRMS/MINUTE

GENERAL

$\triangle$  NON-OPERATING TEMPERATURE ..... -20°C TO 105°C  
 FAULTS AND/OR SPLICES ..... 1/REEL MAX. 100<sup>+3</sup><sub>0</sub> FT. (30.48<sup>+0.914</sup><sub>0</sub> M.)/REEL  
 20FT. (6.096M.) MIN. LENGTH

SEE CHANGE DETAIL. EC NO: THL2008-0015 DRWN: CPANSAKHOM 2007/11/28 CHKD: DNARINTARA 2007/11/29 APPR: SVIRATJAPOL 2007/12/04	DESCRIPTION REV	QUALITY SYMBOLS		GENERAL TOLERANCES (UNLESS SPECIFIED)		DIMENSION STYLE		SCALE	DESIGN UNITS	THIRD ANGLE PROJECTION			
						MM/IN		NTS	INCH				
		$\blacktriangledown$ = $\triangle$ =		mm	INCH	DRAWN BY	DATE	TITLE					
				4 PLACES	± ---	± ---	CPANSAKHOM	2006/07/12	FCB ROUND CONDUCTOR 1.27MM(.050)CENTERS PVC. 28AWG STR TINNED				
				3 PLACES	± ---	± ---	CHECKED BY	DATE	MOLEX INCORPORATED				
		2 PLACES	± ---	± ---	PMEECHAI	2006/07/12							
		1 PLACE	± ---	± ---	APPROVED BY	DATE							
		ANGULAR ± ---°		SVIRATJAPOL		2006/07/12							
		DRAFT WHERE APPLICABLE MUST REMAIN WITHIN DIMENSIONS				MATERIAL NO. SEE CHART		DOCUMENT NO. SD-6800-001		SHEET NO. 2 OF 3			
		SIZE $\triangle$ THIS DRAWING CONTAINS INFORMATION THAT IS PROPRIETARY TO MOLEX INCORPORATED AND SHOULD NOT BE USED WITHOUT WRITTEN PERMISSION											

F

D

C

B

A

1

ENGINEERING NO.

6800-XX-XXXX

A B C D

A : CABLE 1.27mm. (.050") CENTERS 28AWG STRANDED TINNED
B : CONDUCTOR SIZE ( AVAILABLE 3 THROUGH 50 )
C : CABLE LENGTH 100FT. (30.48M)
D : A = INCHES
B = FEET

2

3

4

5

6

Table with columns: ENG. NO., NO. OF COND., DIMENSIONS INCHES (MM), DIM. W (REF), SHIPPED ON 100FT. REELS, ORDER NO.

www.DataSheet4U.com

THIRD ANGLE PROJECTION

DESIGN UNITS INCH

SCALE NTS

FCB ROUND CONDUCTOR 1.27MM(.050)CENTERS PVC. 28AWG STR TINNED

MOLEX INCORPORATED

SD-6800-001 3 OF 3

DRAWN BY DATE CPANSAKHOM 2006/07/12
CHECKED BY DATE PMEECHAI 2006/07/12
APPROVED BY DATE SVIRATJAPOL 2006/07/12

MATERIAL NO. SEE CHART

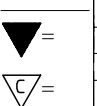
THIS DRAWING CONTAINS INFORMATION THAT IS PROPRIETARY TO MOLEX INCORPORATED AND SHOULD NOT BE USED WITHOUT WRITTEN PERMISSION

GENERAL TOLERANCES (UNLESS SPECIFIED)

Table with columns: mm, INCH. Rows: 4 PLACES, 3 PLACES, 2 PLACES, 1 PLACE, ANGULAR

DRAFT WHERE APPLICABLE MUST REMAIN WITHIN DIMENSIONS

QUALITY SYMBOLS



DESCRIPTION

REV 01 DRW:CPANSAKHOM 2007/07/29
CHKD:JWARINARA 2007/11/11
APPR:SVIRATJAPOL 2007/12/12

6

5

4

3

2

1