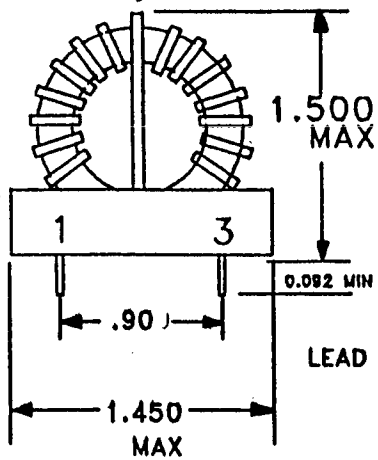
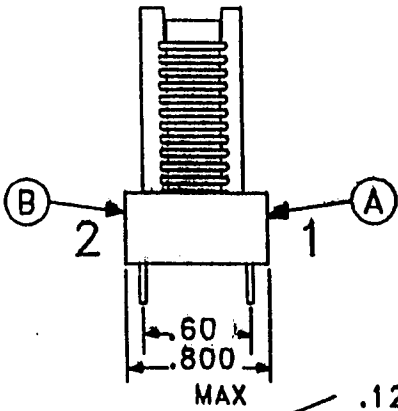
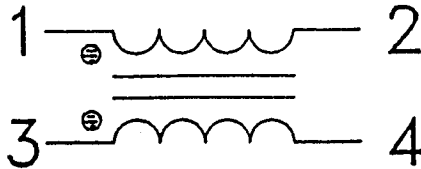


DWG NO. CMT908-V4

**COPY**

**SCHEMATIC**



**B** 4 MagneTek 2  
MARKING DETAIL

**A** CMT908-V4  
1 • XXXX XX 3 •  
MARKING DETAIL

DATE CODE

TWO DIGIT VENDOR IDENTIFICATION CODE TO BE ASSIGNED AFTER VENDOR APPROVAL.

LEAD DIA .029

\* Note: All parts used in construction of this device are UL Rated to 130°C. Unsure of Bottom end.

DC RESISTANCE IN OHMS	1 TO 2 .160 MAX
	3 TO 4 .160 MAX
POLARITY MUST BE CORRECT	
APPLY = .1V @ 10 KHZ	
INDUCTANCE = 1 TO 2 16.0 mHYS MIN	
IND 1-2 ≈ 3-4, WITHIN .32 mHY	
LEAKAGE INDUCTANCE = 180.0 uHYS	
1-3 WITH 2 & 4 SHORTED	
HI POT = 2850 V FOR 1 SEC MIN	
WDG TO WDG	
CONTINUITY =	
IMPREGNATION NOTES =	
PINS TO BE FREE OF DEBRIS TO MTG SURFACE MIN	

REV	CHANGE	DATE
A	RELEASED	X.O.R. 4-23-92
B	EON G7594	HA 5-17-91
C	EON G8252	HA 10-9-91

UNLESS OTHERWISE SPECIFIED DIMENSIONS ARE IN INCHES:  
TOLERANCES:  
X/4 ± .1/64 XX ± .01  
XXX ± .005 4 ± .0130  
THIS DRAWING CONTAINS INFORMATION PROPRIETARY TO MAGNETEK. ANY REPRODUCTION, DISCLOSURE OR USE OF THIS DRAWING IS EXPRESSLY PROHIBITED EXCEPT AS MAGNETEK MAY OTHERWISE AGREE IN WRITING. DO NOT SCALE DRAWING.

MATERIAL  
FINISH



DWN BY *Heber*  
CHK BY  
APVD BY *J. Chen*

SCALE  
DATE 4-22-92

TITLE  
COMMON MODE  
FILTER INDUCTOR

SIZE DRAWING NO.  
**A** CMT908-V4