

EXAMINED BY :	EMERGING DISPLAY TECHNOLOGIES CORPORATION	FILE NO . CAS-10411
<i>Kevin kuo</i>		ISSUE :JUL.26,2005
APPROVED BY:		TOTAL PAGE : 8
<i>Eric Lee</i>		VERSION : 1

CUSTOMER ACCEPTANCE SPECIFICATIONS

MODEL :

162A0(WHITE LED TYPES)
(RoHS)

FOR MESSRS :

CUSTOMER'S APPROVAL

DATE :

BY :

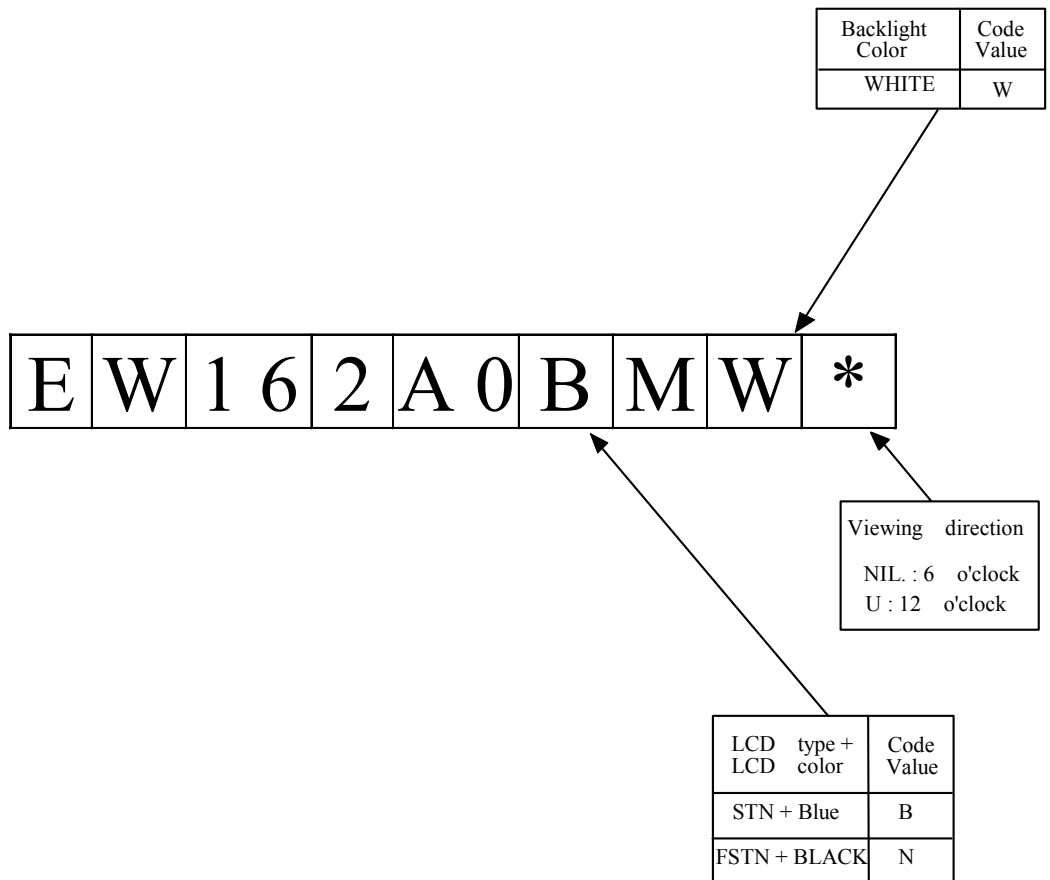
EMERGING DISPLAY
TECHNOLOGIES CORPORATION

MODEL NO.	VERSION	PAGE
162A0(WHITE LED TYPES)(RoHS)	1	0-1

RECORDS OF REVISION	DOC . FIRST ISSUE	JUL.26,2005
---------------------	-------------------	-------------

DATE	REVISED PAGE NO.	SUMMARY

NUMBERING SYSTEM



* : AVAILABLE ONLY FOR TN TYPE

MODEL NO.	VERSION	PAGE
162A0(WHITE LED TYPES)(RoHS)	1	0-3

TABLE OF CONTENTS

NO.	ITEM	PAGE
1.	GENERAL SPECIFICATIONS -----	1
2.	MECHANICAL SPECIFICATIONS -----	1
3.	ABSOLUTE MAXIMUM RATINGS -----	2
4.	ELECTRICAL CHARACTERISTICS -----	3
5.	OPTICAL CHARACTERISTICS -----	4
6.	OUTLINE DIMENSION -----	5
7.	DETAIL DRAWING OF DOT MATRIX -----	6
8.	BLOCK DIAGRAM -----	6
9.	INTERFACE SIGNALS -----	7
10.	POWER SUPPLY -----	8
11.	DISPLAY DATA RAM ADDRESS -----	8

1. GENERAL SPECIFICATIONS

1.1 GENERAL SPECIFICATIONS
PLEASE REFER TO:

CUSTOMER ACCEPTANCE STANDARD SPECIFICATIONS:

E U - 0 0 2 B

1.2 APPLICATION NOTES FOR CONTROLLER / DRIVER:
PLEASE REFER TO:

CUSTOMER ACCEPTANCE STANDARD SPECIFICATIONS:

E U - K S 0 0 6 6

1.3 THIS INDIVIDUAL SPECIFICATIONS IS PRIOR TO GENERAL SPECIFICATIONS.

1.4 MATERIAL SAFETY DESCRIPTION
ASSEMBLIES SHALL COMPLY WITH EUROPEAN ROHS REQUIREMENTS, INCLUDING PROHIBITED MATERIALS/COMPONENTS CONTAINING LEAD, MERCURY, CADMIUM, HEXAVALENT CHROMIUM, POLYBROMINATED BIPHENYLS (PBB) AND POLYBROMINATED DIPHENYL ETHERS (PBDE)

2. MECHANICAL SPECIFICATIONS

- (1) NUMBER OF CHARACTER ----- 16 CH * 2 LINES
- (2) MODULE SIZE ----- 80.0W * 36.0H * 13.0D (max.) mm
- (3) EFFECTIVE AREA ----- 66.0W * 16.0H mm
- (4) CHARACTER FONT ----- 5 * 7 DOTS + CURSOR
- (5) CHARACTER SIZE ----- 2.95W * 4.35H mm
- (6) CHARACTER PITCH ----- 3.65W * 5.05H mm
- (7) DOT SIZE ----- 0.55W * 0.50H mm
- (8) DOT PITCH ----- 0.60W * 0.55H mm
- (9) LCD TYPE *
- (10) DRIVING METHOD ----- 1 / 16 DUTY MULTIPLEX DRIVE
- (11) VIEWING DIRECTION *
- (12) BACK-LIGHT ----- LED ; COLOR : WHITE

* PLEASE REFER TO NUMBERING SYSTEM .

3. ABSOLUTE MAXIMUM RATINGS

3.1 ELECTRICAL ABSOLUTE MAXIMUM RATINGS.

PARAMETER	SYMBOL	MIN.	MAX.	UNIT	REMARK
POWER SUPPLY FOR LOGIC	VDD – VSS	0	7.0	V	
POWER SUPPLY FOR LCD DRIVE	VDD – VO	0	13.0	V	
INPUT VOLTAGE	VI	VSS	VDD	V	
STATIC ELECTRICITY	—	—	100	V	NOTE (1)
LED POWER DISSIPATION	PD	—	0.2	W	
LED FORWARD CURRENT	IF	—	50	mA	
LED REVERSE VOLTAGE	VR	—	5	V	

NOTE (1) : TEST METHOD AND CONDITIONS:
AFTER CHARGING UP 200 pF CAPACITOR BY STATED VOLTAGE ,
THE CAPACITOR IS CONNECTED WITH INTERFACE PINS OF THE
MODULE.

3.2 ENVIRONMENTAL ABSOLUTE MAXIMUM RATINGS.

I T E M	OPERATING		STORAGE		REMARK
	MIN.	MAX.	MIN.	MAX.	
AMBIENT TEMPERATURE	-20 °C	70 °C	-30 °C	80 °C	NOTE (2) , (4)
HUMIDITY	NOTE (3)		NOTE (3)		WITHOUT CONDENSATION
VIBRATION	—	4.9 m/s ² (0.5 G)	—	19.6 m/s ² (2 G)	
SHOCK	—	29.4 m/s ² (3 G)	—	490.0 m/s ² (50 G)	XYZ DIRECTIONS
CORROSIVE GAS	NOT ACCEPTABLE		NOT ACCEPTABLE		

NOTE (2) : BACKGROUND COLOR CHANGES SLIGHTLY DEPENDING ON AMBIENT TEMPERATURE THIS PHENOMENON IS REVERSIBLE.

NOTE (3) : Ta ≤ 70°C : 75%RH MAX.

Ta > 70°C : ABSOLUTE HUMIDITY MUST BE
LOWER THAN THE HUMIDITY OF 75%RH AT 70°C

NOTE (4) : Ta AT -30°C: WILL BE < 48hrs
80°C: WILL BE < 168hrs

4. ELECTRICAL CHARACTERISTICS

Ta = 25 °C VDD = 5.0 ±0.25 V

PARAMETER	SYMBOL	CONDITION	MIN.	TYP.	MAX.	UNIT
H LEVEL INPUT VOLTAGE	VIH	—	2.2	—	—	V
L LEVEL INPUT VOLTAGE	VIL	—	—	—	0.6	V
H LEVEL OUTPUT VOLTAGE	VOH	-IOH = 0.2 mA	2.4	—	—	V
L LEVEL OUTPUT VOLTAGE	VOL	IOL = 1.2 mA	—	—	0.4	V
POWER SUPPLY CURRENT (LOGIC)	IDD	VDD = 5.0 V	—	1.0	3.0	mA
RECOMMENDED LCD DRIVING VOLTAGE	VDD - VO ** DUTY = 1/16	Ta = -20 °C	4.5	4.8	5.1	V
		Ta = 25 °C	4.4	4.7	5.0	V
		Ta = 70 °C	4.1	4.4	4.7	V
CLOCK OSCILLATION FREQUENCY	FOSC	Ta = 25 °C	—	270	—	KHz
LED FORWARD VOLTAGE	VF	IF = 20 mA	—	3.6	4	V
LED FORWARD CURRENT	IF	—	—	20	50	mA
LED REVERSE CURRENT	IR	VR = 5V	—	—	0.2	mA

** $\theta_{y-} = 10^\circ$, $\theta_x = 0^\circ$ WHEN VIEWING DIRECTION IS 6 O'CLOCK

$\theta_{y+} = 10^\circ$, $\theta_x = 0^\circ$ WHEN VIEWING DIRECTION IS 12 O'CLOCK

5. OPTICAL CHARACTERISTICS.

Ta = 25 °C

VDD = 5.0 V

ITEM	SYMBOL	CONDITION	MIN.	TYP.	MAX.	UNIT	NOTE	
VIEWING AREA	θ_{y+}	$\theta_x = 0^\circ$	(35)	(40)	—	deg.	1	
	θ_{y-}		(35)	(40)				
	θ_{x+}	$\theta_y = 0^\circ$	(25)	(30)				
	θ_{x-}		(35)	(40)				
CONTRAST RATIO	K	**	5	—	—	—	1	
RESPONSE TIME	tr (rise)	**	Ta = -20°C	—	5538	7199	ms	1
			Ta = 25°C	—	228	296		
			Ta = 70°C	—	104	135		
	tf (fall)		Ta = -20°C	—	2316	3011		
			Ta = 25°C	—	174	226		
			Ta = 70°C	—	85	111		
THE BRIGHTNESS OF MODULE	L	IF = 20.0 mA	9	12	—	cd/m ²	1, 3	
			6	8	—		1, 2	

K* = STN K ≥ 1.5 , FSTN K ≥ 2.0

** $\theta_{y-} = 10^\circ$, $\theta_x = 0^\circ$ WHEN VIEWING DIRECTION IS 6 O'CLOCK

$\theta_{y+} = 10^\circ$, $\theta_x = 0^\circ$ WHEN VIEWING DIRECTION IS 12 O'CLOCK

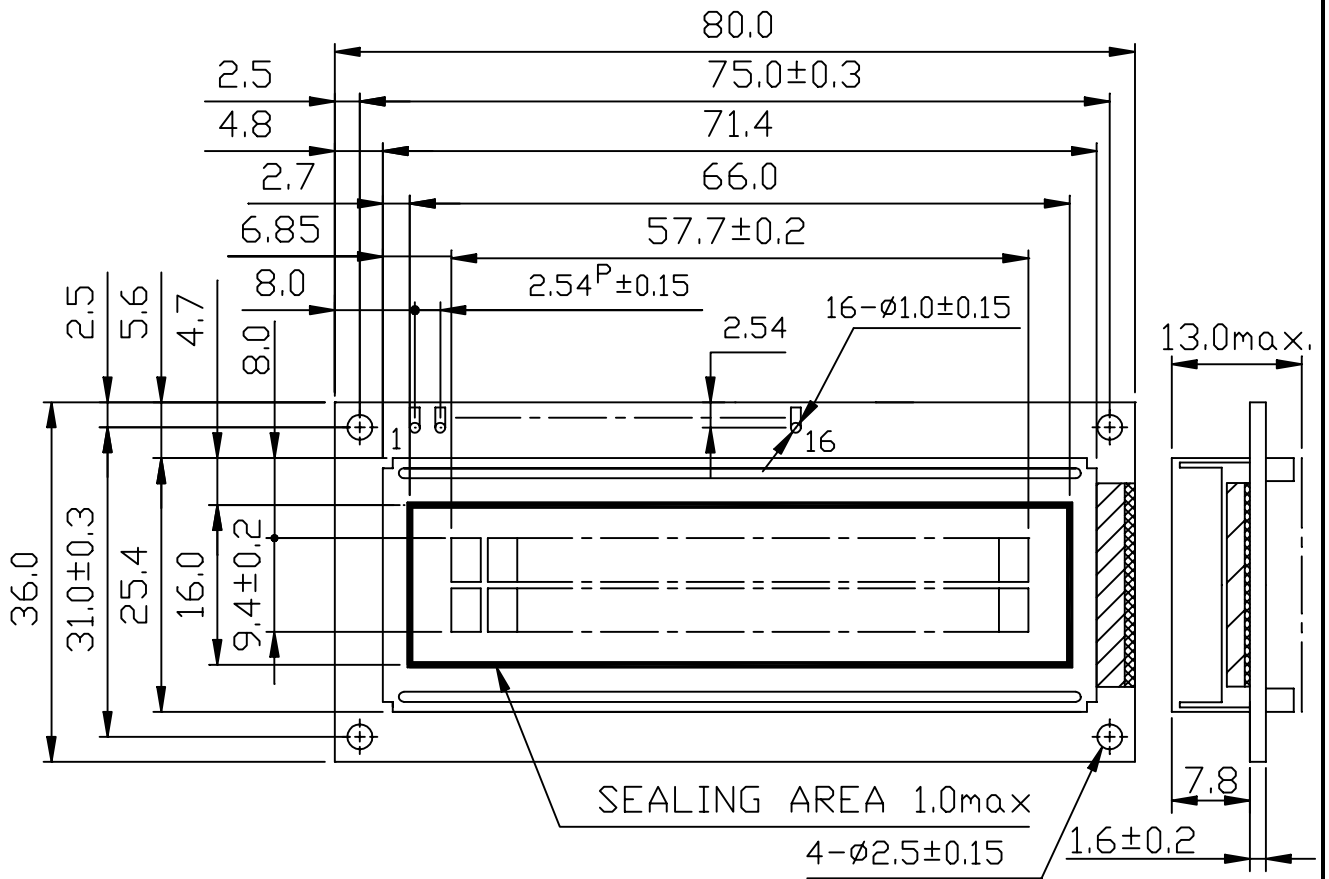
NOTE (1) : PLEASE REFER TO:

CUSTOMER ACCEPTANCE STANDARD SPECIFICATIONS:EU-002B

NOTE (2) : POLARIZER MODE : TRANSFLECTIVE

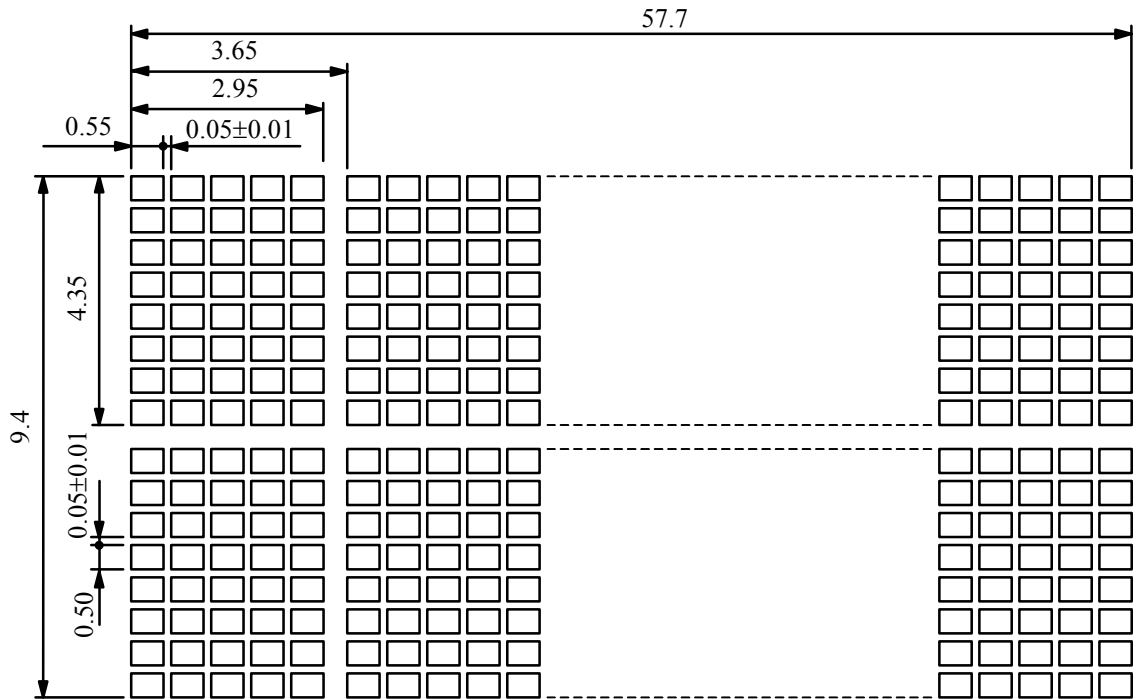
NOTE (3) : POLARIZER MODE : TRANSMISSIVE

6. OUTLINE DIMENSION



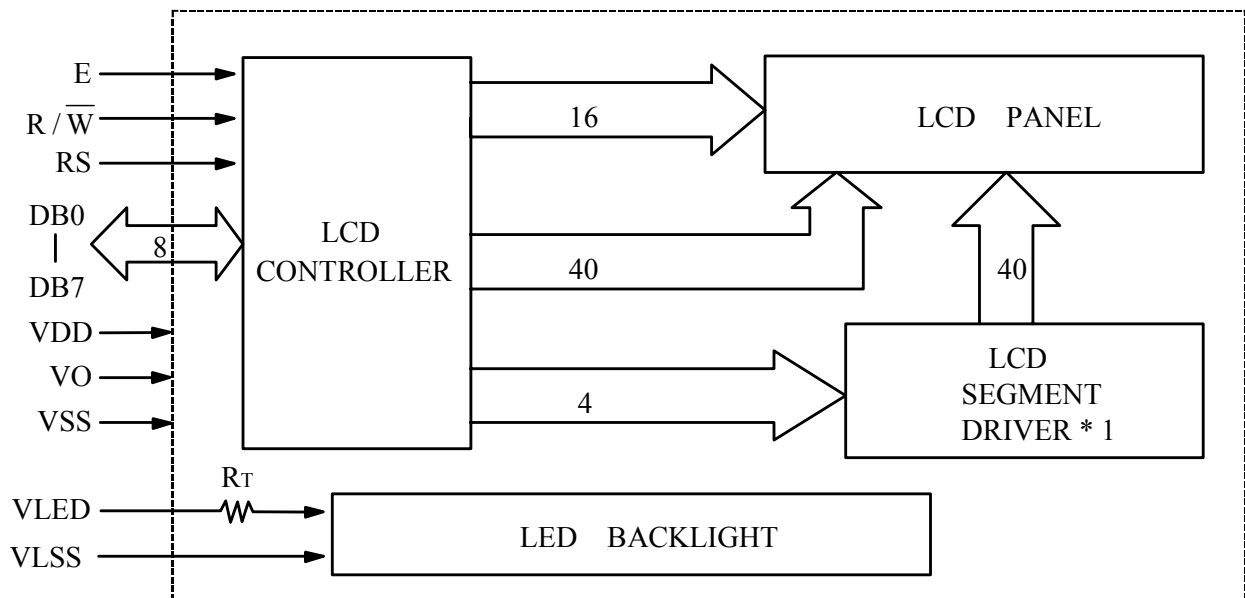
UNIT : mm
SCALE : NTS
NOT SPECIFIED TOLERANCE IS ± 0.5

7. DETAIL DRAWING OF DOT MATRIX



UNIT : mm
SCALE : NTS
NOT SPECIFIED TOLERANCE IS ± 0.1

8. BLOCK DIAGRAM



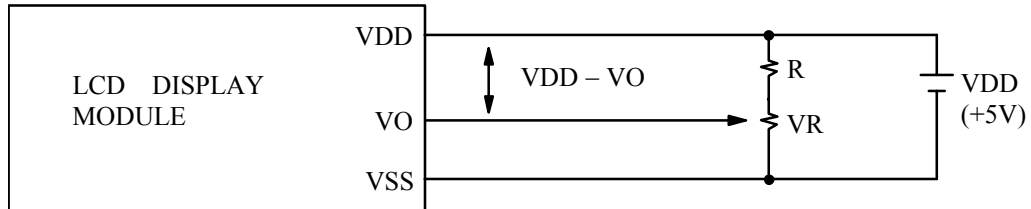
$R_T : 75 \Omega$

9. INTERFACE SIGNALS

PIN NO.	SYMBOL	DESCRIPTION	FUNCTION
1	VSS	GROUND	0V (GND)
2	VDD	POWER SUPPLY FOR LOGIC CIRCUIT	+5V
3	VO	LCD CONTRAST FOR LOGIC CIRCUIT	
4	RS	INSTRUCTION/DATA REGISTER SELECTION	RS = 0 : INSTRUCTION REGISTER RS = 1 : DATA REGISTER
5	R / \overline{W}	READ/WRITE SELECTION	R / \overline{W} = 0 : REGISTER WRITE R / \overline{W} = 1 : REGISTER READ
6	E	ENABLE INPUT	
7	DB0	DATA INPUT/OUTPUT LINES	4 BIT/8BIT SELECTABLE 4 BIT : DB4 - DB7 8 BIT : DB0 - DB7
8	DB1		
9	DB2		
10	DB3		
11	DB4		
12	DB5		
13	DB6		
14	DB7		
15	VLED	POWER SUPPLY FOR LED LED BACKLIGHT (ANODE)	
16	VLSS	POWER SUPPLY FOR LED LED BACKLIGHT (CATHODE)	0V (GND)

10. POWER SUPPLY

10.1 POWER SUPPLY FOR LCD MODULE

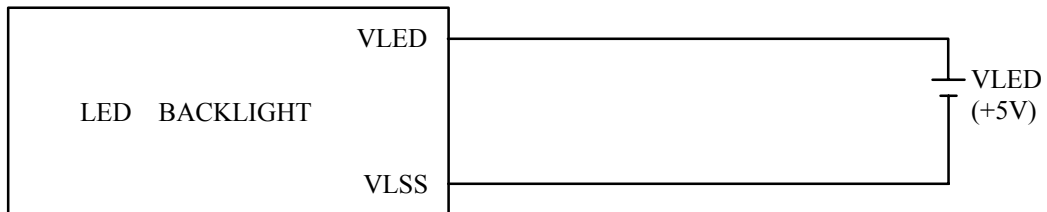


VDD - VO : LCD DRIVING VOLTAGE

VR : 10KΩ ~ 20KΩ

RECOMMENDED RESISTOR R : $VDD - VO \geq 1.5V$

10.2 POWER SUPPLY FOR LED BACKLIGHT



11. DISPLAY DATA RAM ADDRESS

CHARACTER	1	2	3	4	5	6	7	8	9	10	11	12	13	14	15	16
LINE 1	80	81	82	83	84	85	86	87	88	89	8A	8B	8C	8D	8E	8F
LINE 2	C0	C1	C2	C3	C4	C5	C6	C7	C8	C9	CA	CB	CC	CD	CE	CF