

10, 20, 50, 100 and 250 Watt High Power, Resistors with Heat Sink



RPF Series



Actual Size

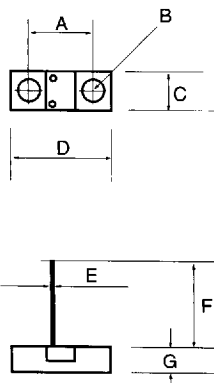
FEATURES

- Non-inductive & high power, allows for optimal fit for high frequency inverters installation
- A complete thermal design ensured by: standard thermal resistance between the resistive element and heat sink : air or water cooling fins mounted
- Small size & thin type fit for high density compacted electronic instruments
- Superior vibration with heat sink mounting
- Termination resistors in speaker dividing network, installation power supplies, RF appliances
- Without terminals or with bendable terminals/connectors

Test	Specifications						Conditions
	RPF-10	RPK-10	RPF-20	RPF-50	RPF-100	RPF-250	
Material							
TCR: Absolute (ppm/°C)	-	±50	±50	±50	±50	± 250	-55°C to +125°C
Tolerance: Absolute	±1% ±5%	±1% ±5%	±1% ±5%	±1% ±5%	±10%	±10%	
Power Rating: Resistor	10 Watt	10 Watt	20 Watt	50 Watt	100 Watt	250 Watt	With heat sink 2.8°C/W
Stability (Δ R Ratio)	±1 %	±5 %	±5 %	±5 %	±5 %	±5 %	1000x hrs. @ 70°C
Working Voltage	500 Volts			1000 Volts			Volt accordance with √PR
Operating Temperature Range	-55°C to +125°C						
Storage Temperature Range	-55°C to +125°C						

Dimensions

RPF-10



Dimension	Inches	Millimeters
A	0.512 ± 0.008	13 ± 0.2
B	0.079 - Ø 0.126	2 - Ø 3.2
C	0.315 ± 0.020	8 ± 0.5
D	0.787 ± 0.020	20 ± 0.5
E	0.020Ø	0.5Ø
F	0.591	15 min.
G	0.197 ± 0.020	5 ± 0.5

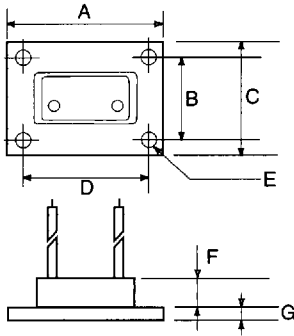
10, 20, 50, 100 and 250 Watt High Power, Resistors with Heat Sink



RPF Series

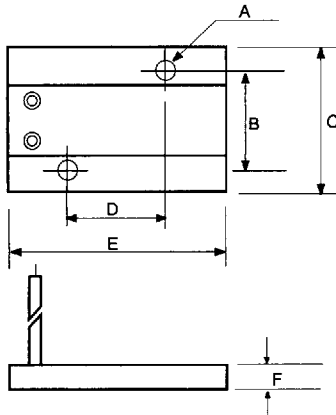
Dimensions

RPK-10



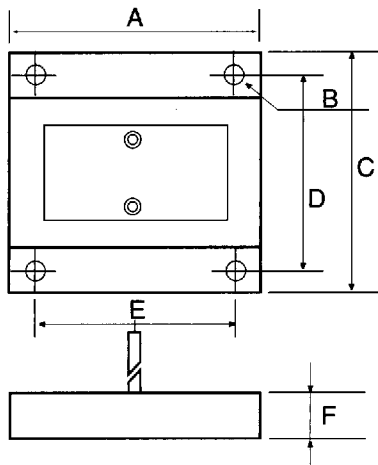
Dimension	Inches	Millimeters
A	1.575 ± 0.020	40 ± 0.5
B	0.866 ± 0.008	22 ± 0.2
C	1.181 ± 0.020	30 ± 0.5
D	1.260 ± 0.008	32 ± 0.2
E	0.157-Ø 0.138	4-Ø 3.5
F	0.276 max.	7 max.
G	0.118 ± 0.008	3 ± 0.2

RPF-20,
RPF-50



Dimension	Inches	Millimeters
A	0.079-Ø 0.126	2-Ø 3.2
B	0.787 ± 0.008	20 ± 0.2
C	1.181 ± 0.020	30 ± 0.5
D	0.760 ± 0.008	19.3 ± 0.2
E	1.732 ± 0.020	44 ± 0.5
F	0.197 ± 0.020	5 ± 0.5

RPF-100



Dimension	Inches	Millimeters
A	1.969 ± 0.020	50 ± 0.5
B	0.157 Ø 0.177	4-Ø 4.5
C	1.969 ± 0.020	50 ± 0.5
D	1.575 ± 0.008	40 ± 0.2
E	1.575 ± 0.008	40 ± 0.2
F	0.394 ± 0.020	10 ± 0.5

POWER & ATTENUATORS

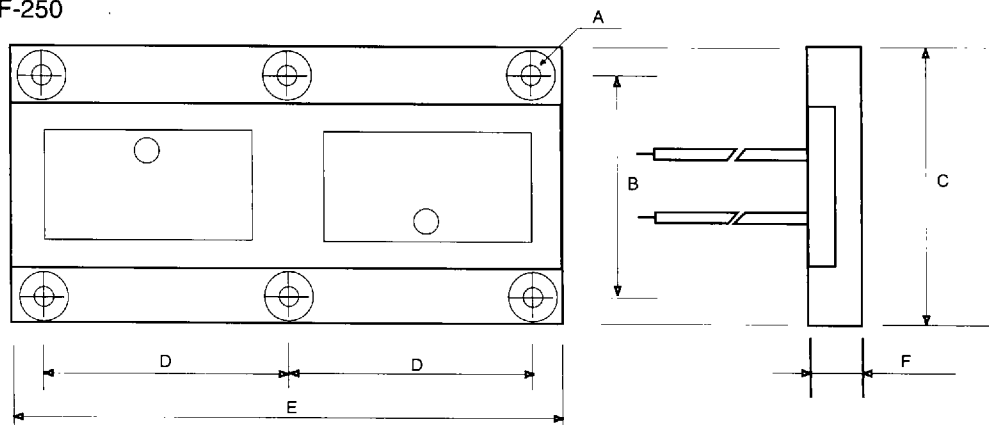
10, 20, 50, 100 and 250 Watt High Power, Resistors with Heat Sink



RPF Series

Dimensions

RPF-250



Dimension	Inches	Millimeters
A	0.236-Ø 0.177Ø 0.323	6-Ø 4.5 Ø8.2
B	1.575 ±0.008	40 ±0.2
C	1.969 ±0.020	50 ±0.5
D	1.772 ±0.008	45 ±0.2
E	3.937 ±0.020	100 ±0.5
F	0.394 ±0.020	10 ±0.5

Mechanical Specifications

Substrate Material Alumina
 Body Cu plated by Ni
 Terminals AWG 14 Silicon Insulated

Molded epoxy Silicon
 Marking Resistance to Solvents JIS C5202

How to Order

Series	Resistance Value	Absolute Tolerance	Package
RFP-100	5.0Ω	H = ±100 ppm K = ±10%	Bulk only

RPF 500,1000, and 2000 series available at 500, 1000, 2000 watts. Contact factory for information.