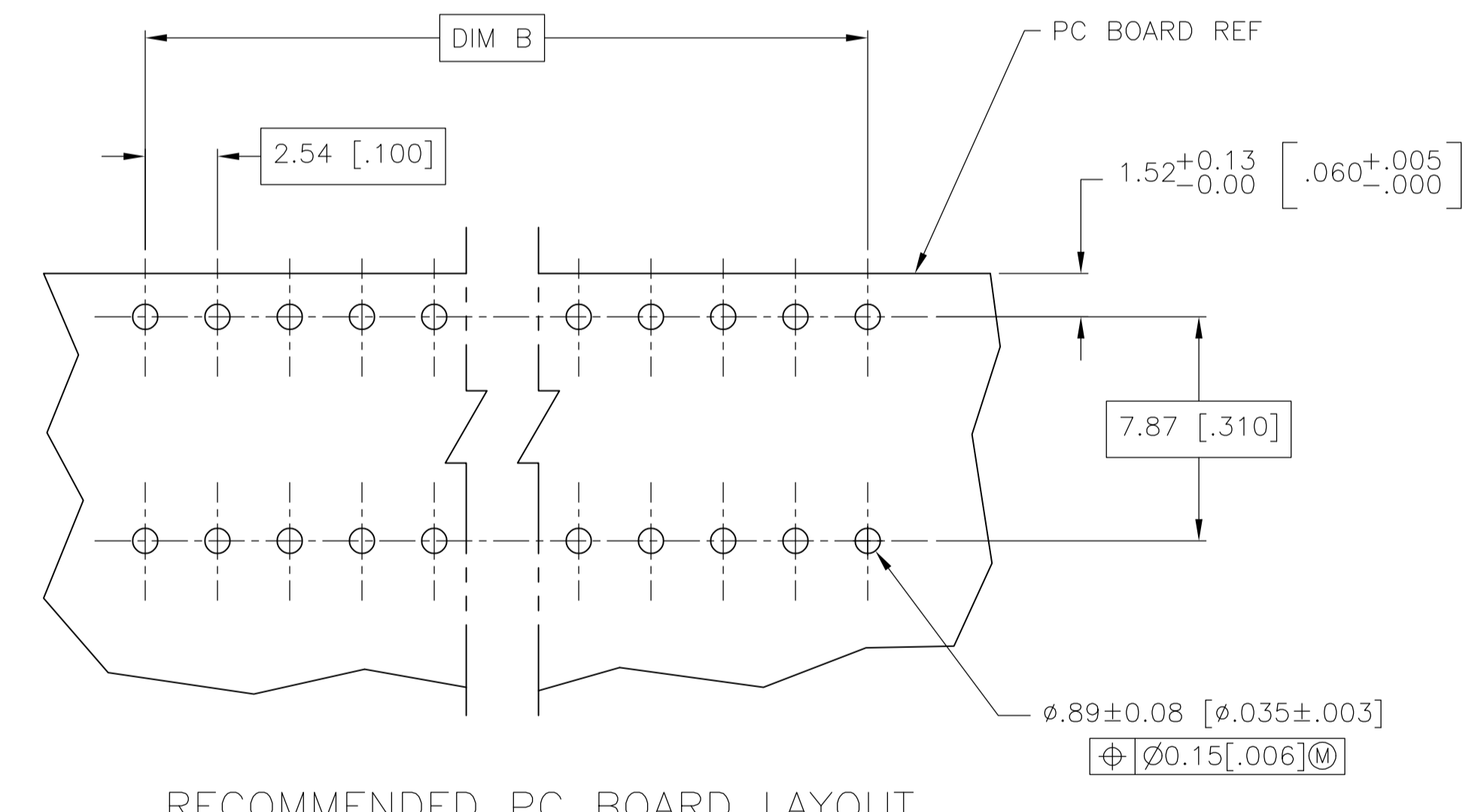
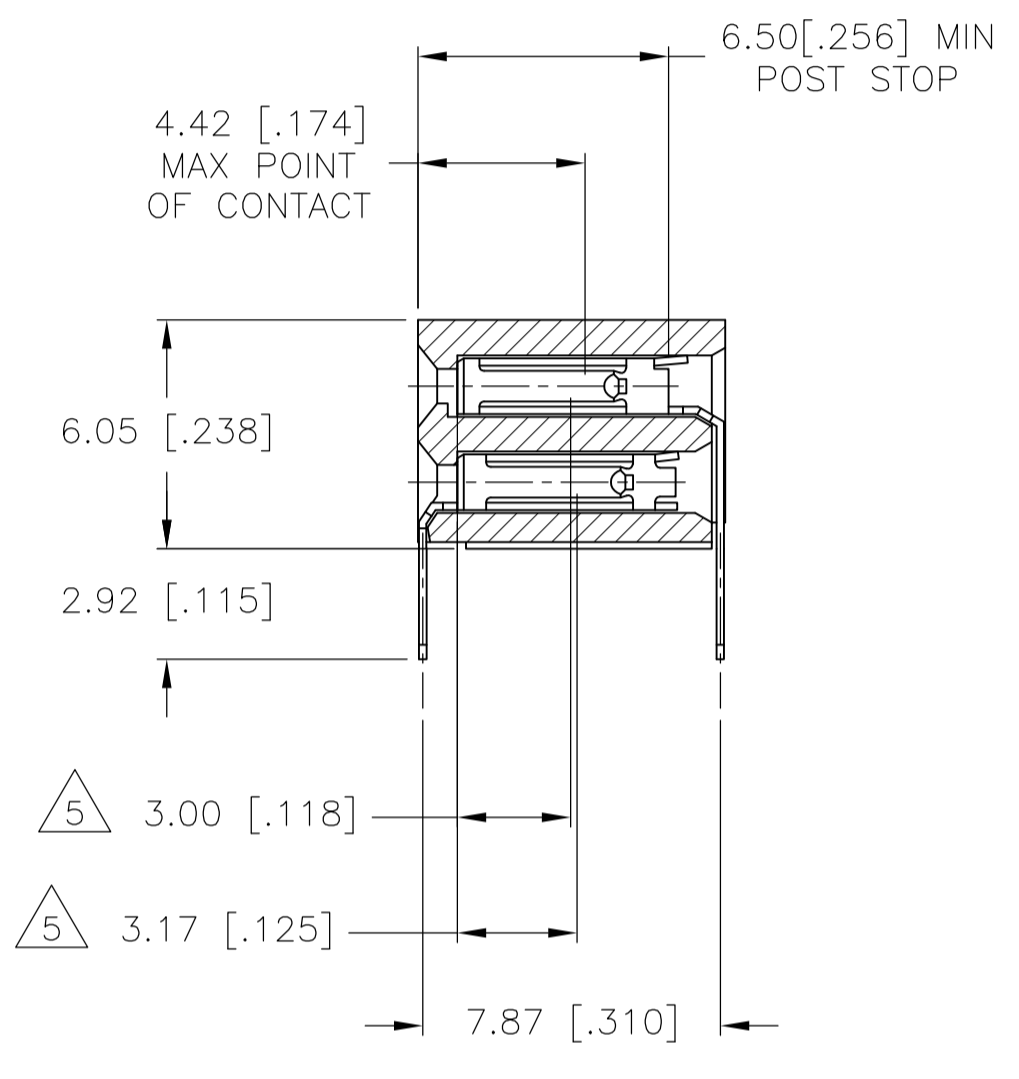
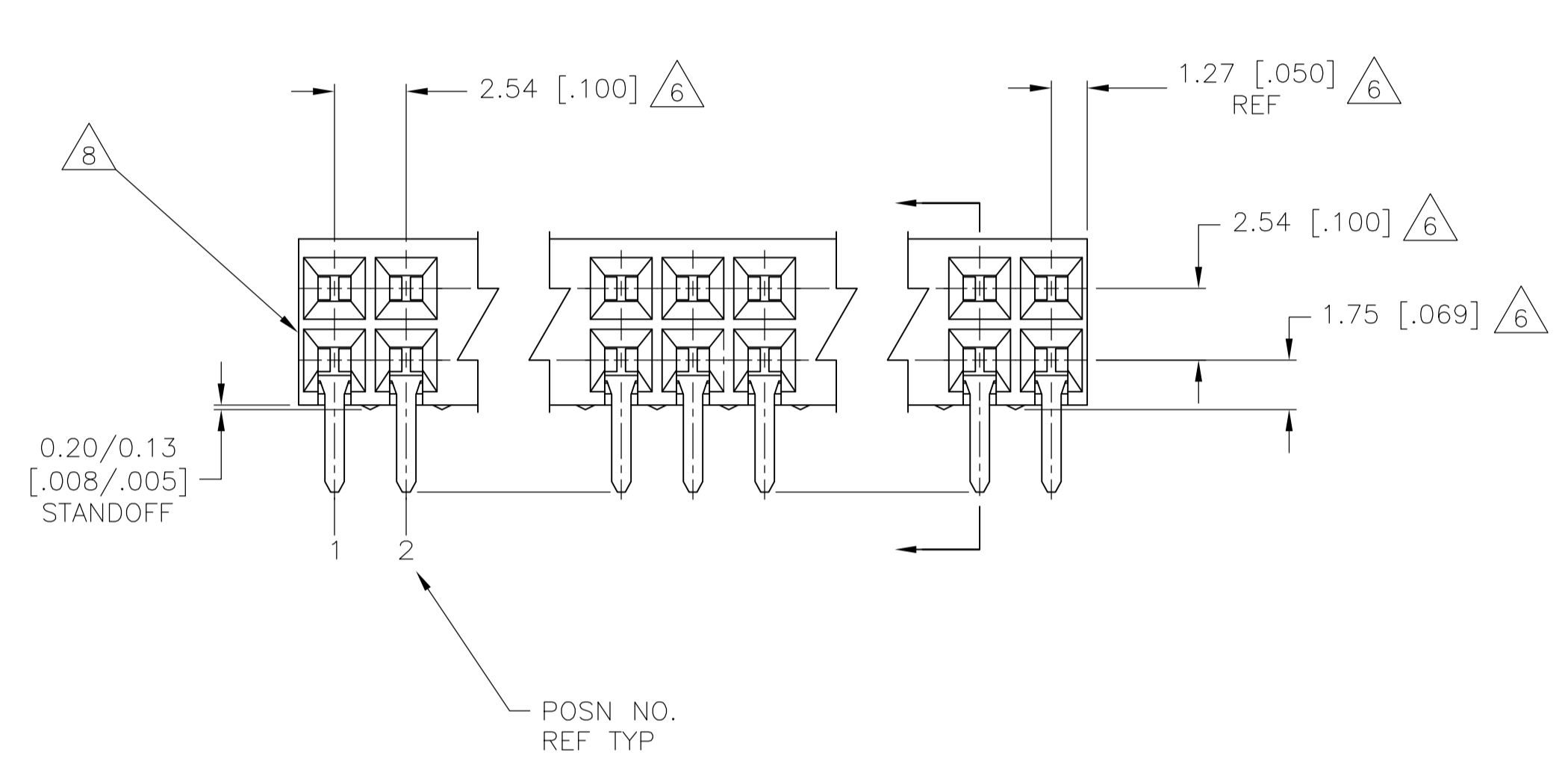
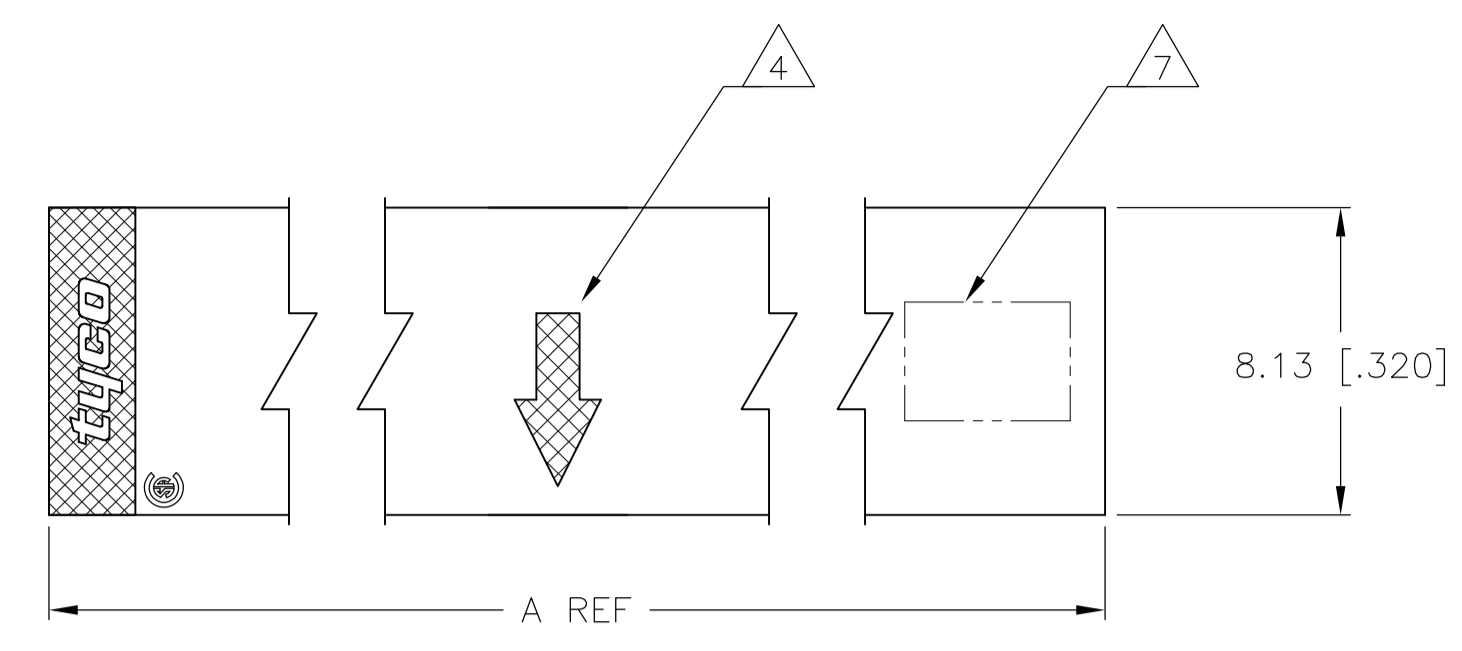


REVISONS		DATE	DMN	APVO
Y	REV PER OG3C-0528-04	20DEC04	JR	JO
Y1	REVISED PER ECO-09-021826	06JAN10	KK	AEG



RECOMMENDED PC BOARD LAYOUT

- 1 HOUSING MATERIAL: GLASS FILLED POLYESTER, COLOR- BLACK
- 2 CONTACT MATERIAL: PHOSPHOR BRONZE
- 3 CONTACT FINISH: 0.00254-0.00508[.000100-.000200] THK BRIGHT TIN-LEAD, ALL OVER 0.00127[.000050] NICKEL, ENTIRE CONTACT
- 4 MOLDED IN ARROW DESIGNATES THE MATING FACE OF THE CONNECTOR
- 5 POINT OF MEASUREMENT FOR PLATING THICKNESS OF CONTACT AREA
- 6 DIMENSIONS PERTAIN TO HOUSING CAVITY CENTERLINES
- 7 DATE CODE AND PART NUMBER MARKED IN APPROXIMATE LOCATION SHOWN.
- 8 ALTERNATE LOCATION FOR DATE CODE FOR 4 AND 6 POSITION.
- 9 NO PART NUMBER MARKING REQUIRED FOR THIS PART.
- 10 OBSOLETE PARTS: OBSOLETE CIS STREAMLINING PER D.RENAUD/D.SINISI

REV	DESCRIPTION	DATE	DMN	APVO	
9	2.54 [.100]	5.08 [.200]	4	8	6-102084-4
9	5.08 [.200]	7.62 [.300]	6	8	6-102084-3
9	7.62 [.300]	10.16 [.400]	8		6-102084-2
9	10.16 [.400]	12.70 [.500]	10		6-102084-1
10	OBSOLETE	12.70 [.500]	12		6-102084-0
10	SUPERSEDED BY 5-5102084-9	15.24 [.600]	14		5-102084-9
10	OBSOLETE	17.78 [.700]	16		5-102084-8
		20.32 [.800]	18		5-102084-7
		22.86 [.900]	20		5-102084-6
		25.40 [1.000]	22		5-102084-5
		27.94 [1.100]	24		5-102084-4
		30.48 [1.200]	26		5-102084-3
		33.02 [1.300]	28		5-102084-2
		35.56 [1.400]	30		5-102084-1
		38.10 [1.500]	32		5-102084-0
		40.64 [1.600]	34		4-102084-9
		43.18 [1.700]	36		4-102084-8
		45.72 [1.800]	38		4-102084-7
		48.26 [1.900]	40		4-102084-6
		50.8 [2.000]	42		4-102084-5
		53.34 [2.100]	44		4-102084-4
		55.88 [2.200]	46		4-102084-3
		58.42 [2.300]	48		4-102084-2
		60.96 [2.400]	50		4-102084-1
		63.50 [2.500]	52		4-102084-0
		66.04 [2.600]	54		3-102084-9
		68.58 [2.700]	56		3-102084-8
		71.12 [2.800]	58		3-102084-7
		73.66 [2.900]	60		3-102084-6
		76.20 [3.000]	62		3-102084-5
		78.74 [3.100]	64		3-102084-4
		81.28 [3.200]	66		3-102084-3
		83.82 [3.300]	68		3-102084-2
		86.36 [3.400]	70		3-102084-1
		88.90 [3.500]	72		3-102084-0
		91.44 [3.600]	74		2-102084-9
		93.98 [3.700]	76		2-102084-8
		96.52 [3.800]	78		2-102084-7
		99.06 [3.900]	80		2-102084-6
		101.6 [4.000]	82		2-102084-5
		104.14 [4.100]	84		2-102084-4
		106.68 [4.200]	86		2-102084-3
		109.22 [4.300]	88		2-102084-2
		111.76 [4.400]	90		2-102084-1
		114.30 [4.500]	92		2-102084-0
		116.84 [4.600]	94		1-102084-9
		119.38 [4.700]	96		1-102084-8
		121.92 [4.800]	98		1-102084-7
		124.46 [4.900]	100		1-102084-6
		127.00 [5.000]	102		1-102084-5
		129.54 [5.100]	104		1-102084-4
		132.08 [5.200]	106		1-102084-3
		134.62 [5.300]	108		1-102084-2
		137.16 [5.400]	110		1-102084-1
		139.70 [5.500]	112		1-102084-0
		142.24 [5.600]	114		102084-9
		144.78 [5.700]	116		102084-8
		147.32 [5.800]	118		102084-7
		149.86 [5.900]	120		102084-6
		152.40 [6.000]	122		102084-5
		154.94 [6.100]	124		102084-4
		157.48 [6.200]	126		102084-3
		160.02 [6.300]	128		102084-2
		162.56 [6.400]	130		102084-1

THIS DRAWING IS A CONTROLLED DOCUMENT.		DIN R BROWN 03JUN02		Tyco Electronics Corporation Harrisburg, PA 17105	
DIMENSIONS: 1/16		TOLERANCES UNLESS OTHERWISE SPECIFIED:		NAME: AMPMODU MOD II RECEPTACLE ASSEMBLY, HORIZONTAL, .100 CL, 2 ROW, CLOSED-ENTRY, SHORT POINT OF CONTACT, END-TO-END STACKABLE	
0 PLC ± -		1 PLC ± -		APPLICATION SPEC	
2 PLC ± -		3 PLC ± 0.1X(.005)		SIZE: A1	
4 PLC ± -		ANGLES ± -		CAGE CODE: 00779	
MATERIAL: 1/2		FINISH: 3		DRAWING NO: 102084	
CUSTOMER DRAWING		SCALE: 5:1		SHEET 1 OF 1	