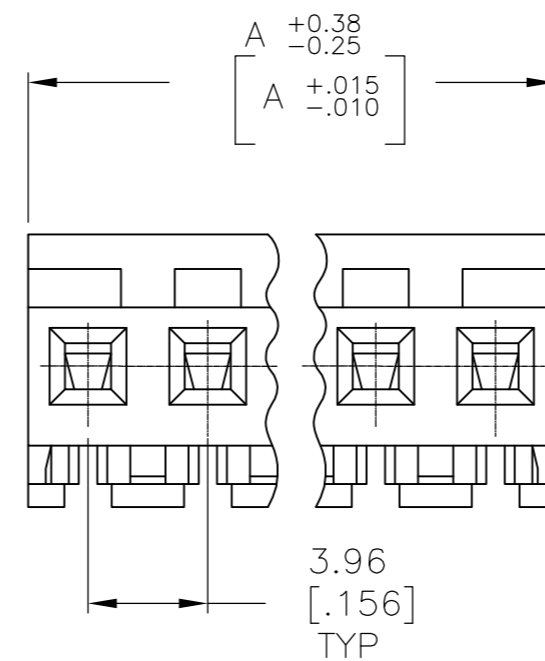
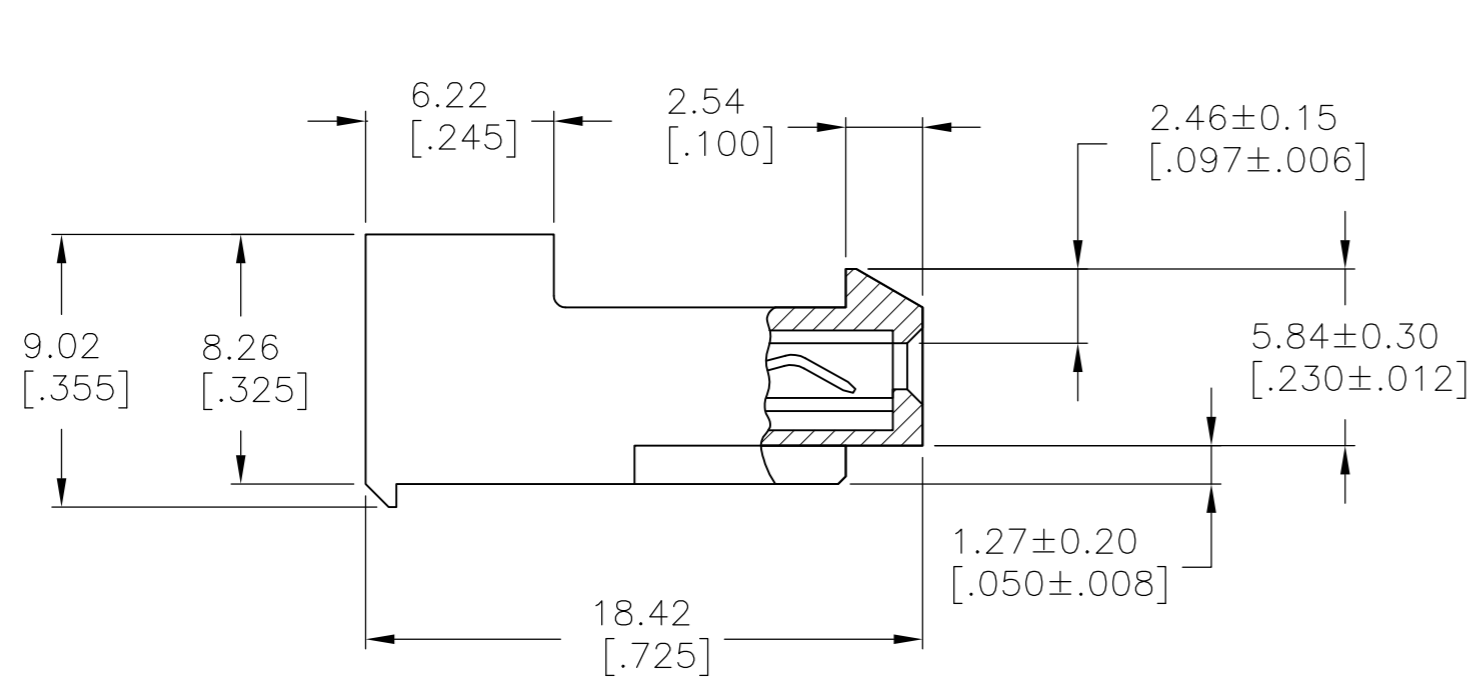
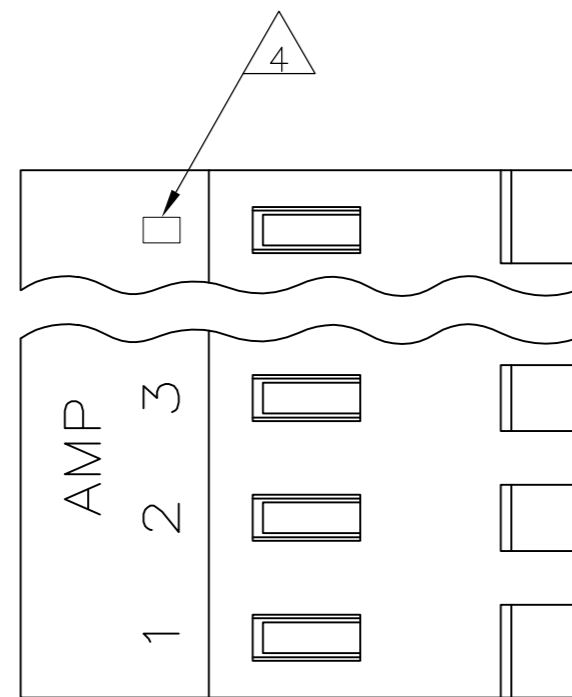


THIS DRAWING IS UNPUBLISHED. RELEASED FOR PUBLICATION
 © COPYRIGHT BY TYCO ELECTRONICS CORPORATION. ALL RIGHTS RESERVED.

LOC	DIST	REVISIONS					
		P	LTR	DESCRIPTION	DATE	DWN	APVD
CM	OO		U	ECO-07-012866	13JUN07	KWDP	B
			U1	REVISED PER ECO-09-022424	30SEP09	KK	AEG



95.10[3.744]	24	5-640430-4	
91.13[3.588]	23	5-640430-3	
87.17[3.432]	22	5-640430-2	
83.21[3.276]	21	5-640430-1	
79.25[3.120]	20	5-640430-0	
75.29[2.964]	19	4-640430-9	
71.32[2.808]	18	4-640430-8	
67.36[2.652]	17	4-640430-7	
63.40[2.496]	16	4-640430-6	
59.44[2.340]	15	4-640430-5	
55.47[2.184]	14	4-640430-4	
51.51[2.028]	13	4-640430-3	
47.55[1.872]	12	4-640430-2	
43.59[1.716]	11	4-640430-1	
39.62[1.560]	10	4-640430-0	
35.66[1.404]	9	3-640430-9	
31.70[1.248]	8	3-640430-8	
27.74[1.092]	7	3-640430-7	
23.77[.936]	6	3-640430-6	
19.81[.780]	5	3-640430-5	
15.85[.624]	4	3-640430-4	
11.89[.468]	3	3-640430-3	
7.92[.312]	2	3-640430-2	
△ SUPERCEDED	95.10[3.744]	24	2-640430-4
△ SUPERCEDED	91.13[3.588]	23	2-640430-3
△ SUPERCEDED	87.17[3.432]	22	2-640430-2
△ SUPERCEDED	83.21[3.276]	21	2-640430-1
△ SUPERCEDED	79.25[3.120]	20	1-640430-0
△ SUPERCEDED	75.29[2.964]	19	1-640430-9
△ SUPERCEDED	71.32[2.808]	18	1-640430-8
△ SUPERCEDED	67.36[2.652]	17	1-640430-7
△ SUPERCEDED	63.40[2.496]	16	1-640430-6
△ SUPERCEDED	59.44[2.340]	15	1-640430-5
△ SUPERCEDED	55.47[2.184]	14	1-640430-4
△ SUPERCEDED	51.51[2.028]	13	1-640430-3
△ SUPERCEDED	47.55[1.872]	12	1-640430-2
△ SUPERCEDED	43.59[1.716]	11	1-640430-1
△ SUPERCEDED	39.62[1.560]	10	1-640430-0
△ SUPERCEDED	35.66[1.404]	9	640430-9
△ SUPERCEDED	31.70[1.248]	8	640430-8
△ SUPERCEDED	27.74[1.092]	7	640430-7
	23.77[.936]	6	640430-6
	19.81[.780]	5	640430-5
	15.85[.624]	4	640430-4
	11.89[.468]	3	640430-3
	7.92[.312]	2	640430-2
	DIM A	NO. OF CIRCUITS	PART NO.

1 MATERIAL: CONNECTOR - NYLON UL94-V2 (ORANGE)
 CONTACTS - 0.30[.012] THICK COPPER ALLOY
 (BRIGHT TIN-LEAD 0.00203[.000080] MIN. THICK FOR CONTACTS 640430-2 THRU 2-640430-4).
 (MATTE WHISKER MITIGATED TIN 0.00203[.000080] MIN. THICKNESS OVER NICKEL UNDERPLATE FOR 3-640430-2 THRU 5-640430-4).

2. CONTACTS ACCEPT 26 AWG WIRE WITH 2.41[.095] MAX INSULATION DIAMETER.

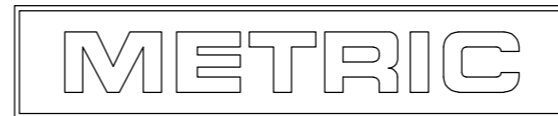
3. CONTACTS MUST ACCEPT 1.14±0.03[.045] POST AND REMAIN LOCKED IN POSITION.

4 IDENTIFICATION NUMBER FOR LAST CIRCUIT MAY NOT APPEAR ON ALL ASSEMBLIES.

5. DIMENSIONS IN BRACKETS ARE IN INCHES.

6. HOUSING FEATURES ARE: CLOSED END WITH LOCKING RAMP.

7 OBSOLETE PARTS: OBSOLETE CIS STREAMLINING PER D.RENAUD/D.SINISI



THIS DRAWING IS A CONTROLLED DOCUMENT.		DWN S. CARPENTER 08JUL2003	Tyco Electronics Corporation Harrisburg, Pa 17105-3608	
DIMENSIONS: mm [INCHES]		CHK D. BOSSI 08JUL2003	NAME MTA 156 CONNECTOR ASSEMBLY, 26 AWG, STANDARD	
TOLERANCES UNLESS OTHERWISE SPECIFIED: 0 PLC ± - 1 PLC ± - 2 PLC ± - 3 PLC ± 0.13 [.005] 4 PLC ± - ANGLES ± -		APVD D. BOSSI 08JUL2003	PRODUCT SPEC 108-1051	
MATERIAL		APPLICATION SPEC 114-1020	SIZE A2	CAGE CODE 00779
FINISH		WEIGHT -	DRAWING NO C=640430	RESTRICTED TO -
CUSTOMER DRAWING			SCALE 4:1	SHEET 1 OF 1
			REV U1	