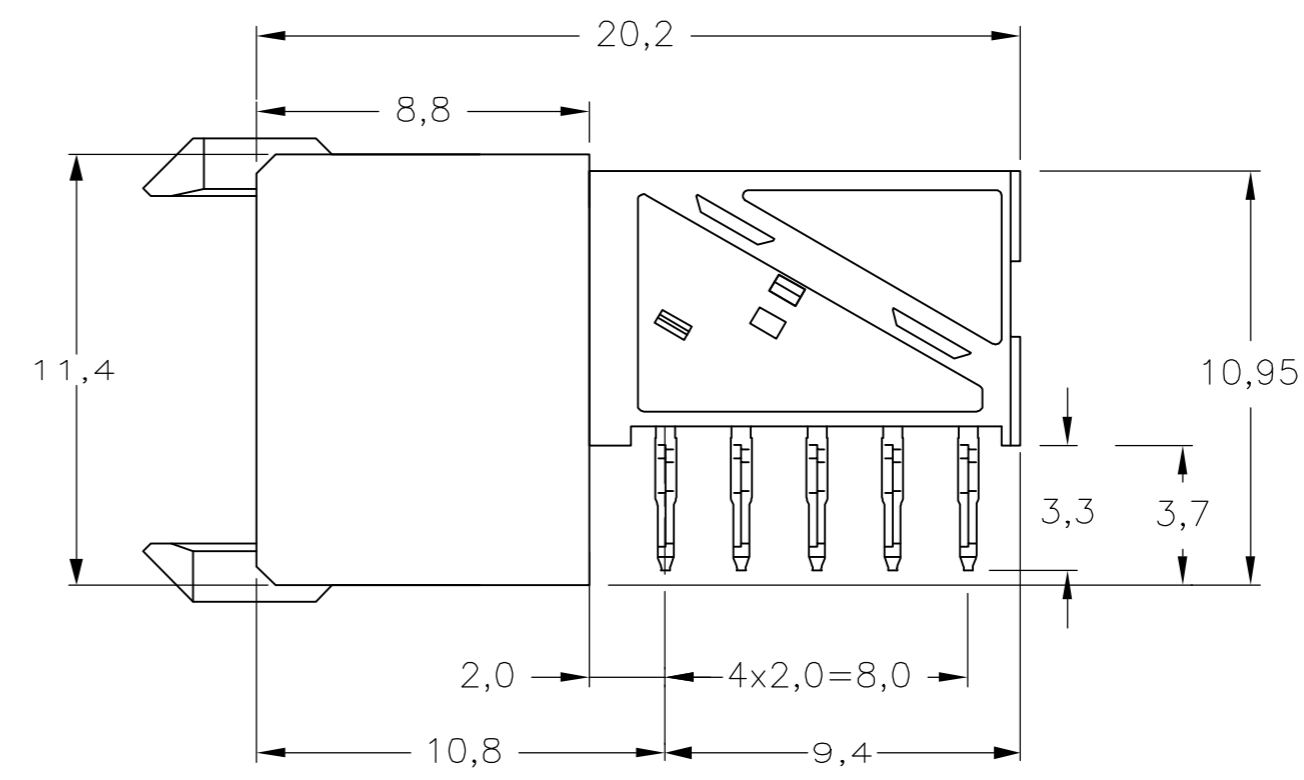
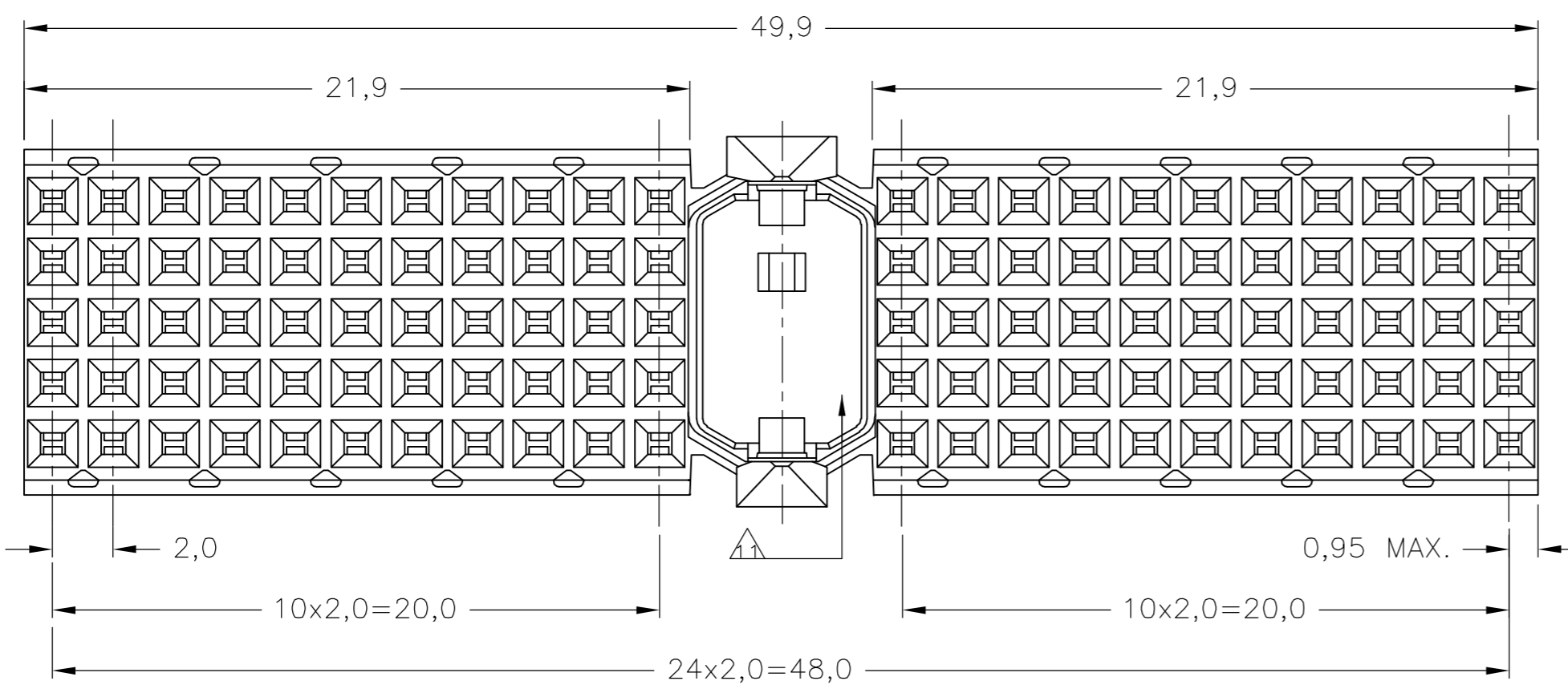
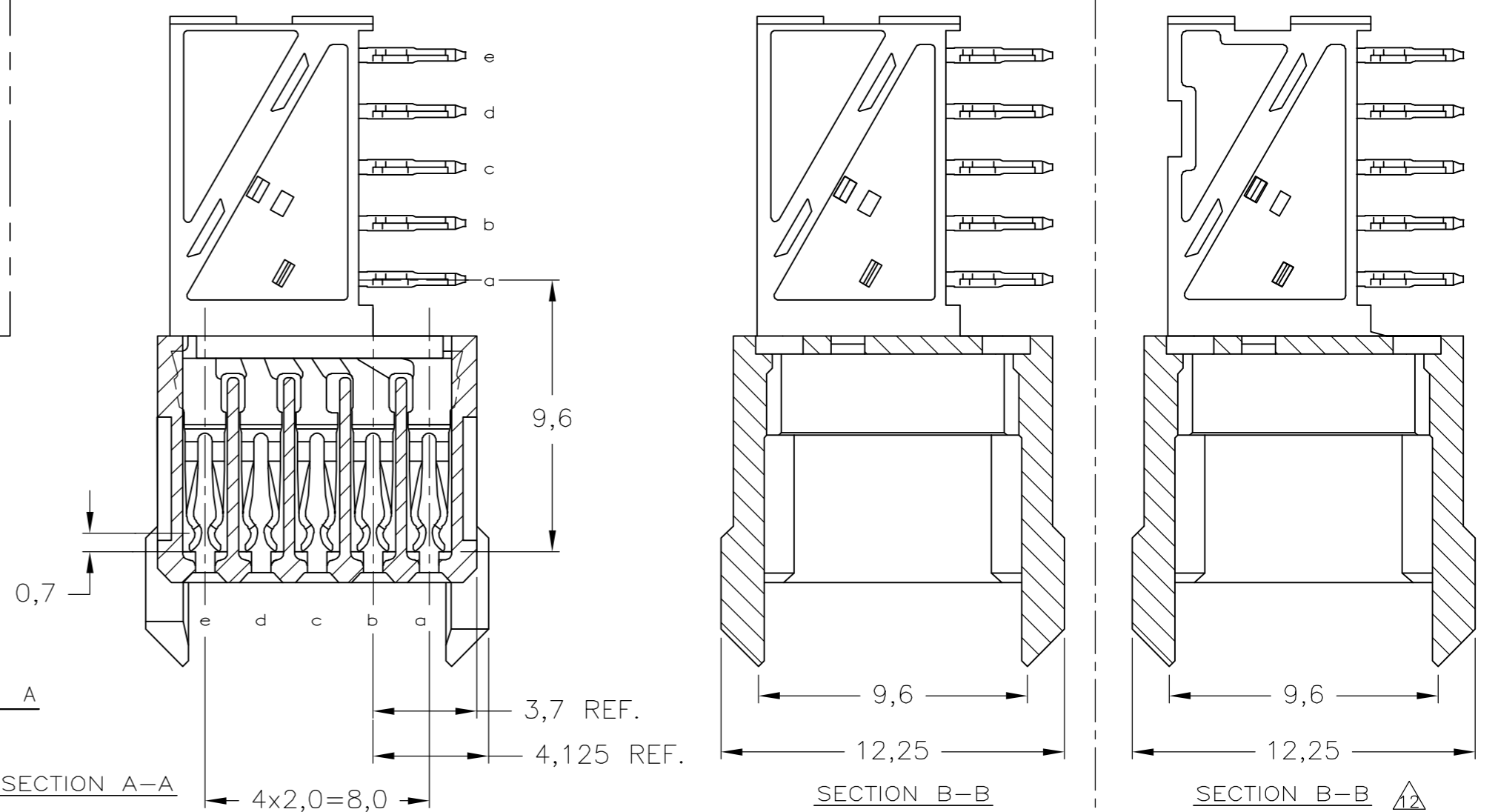
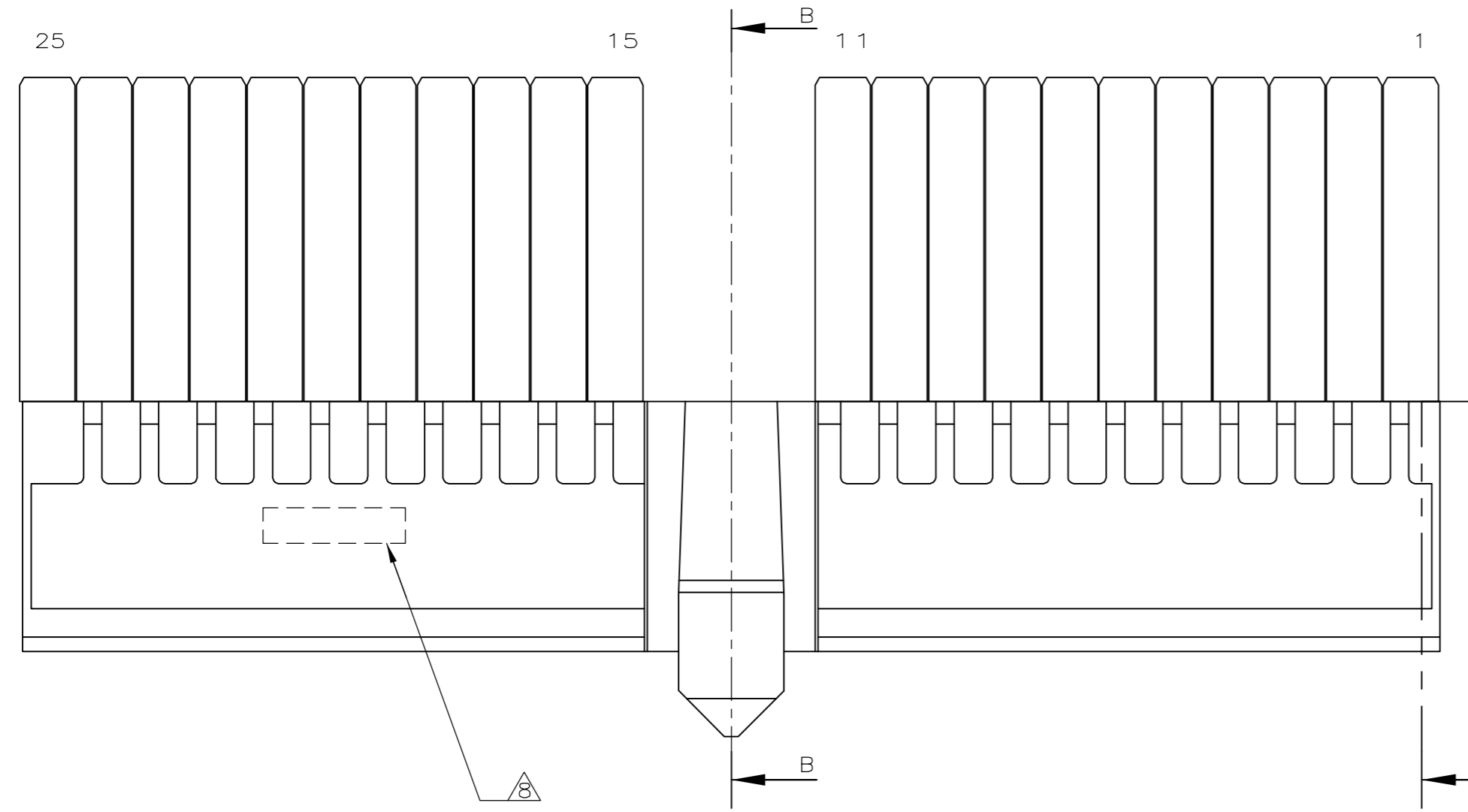
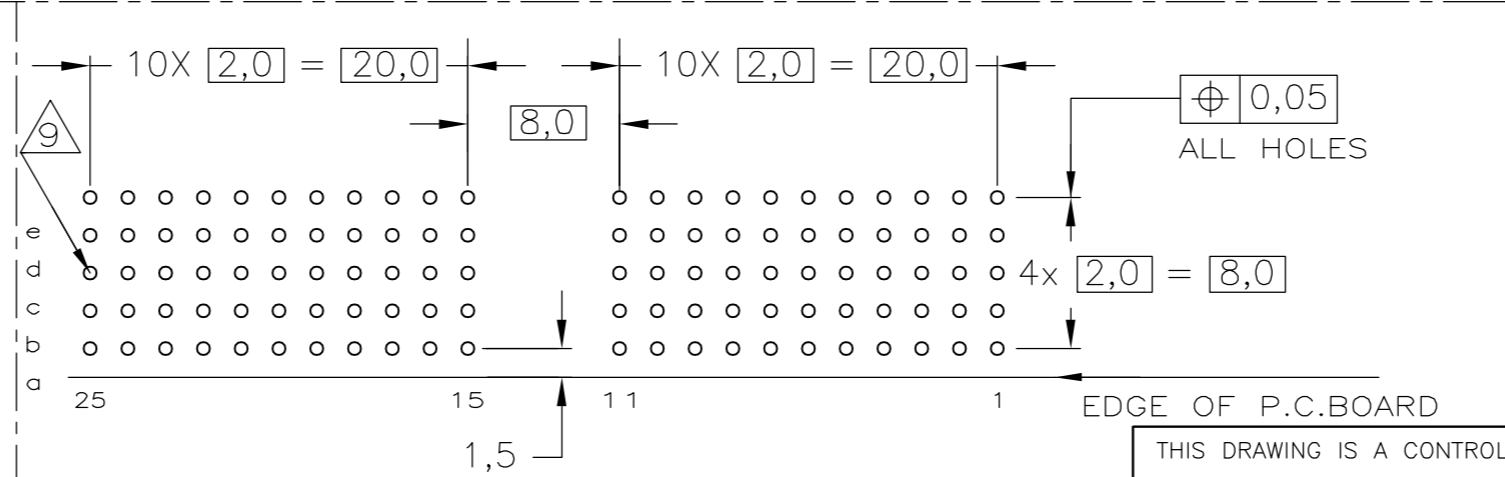


THIS DRAWING IS UNPUBLISHED. RELEASED FOR PUBLICATION
 © COPYRIGHT BY TYCO ELECTRONICS CORPORATION. ALL RIGHTS RESERVED.

| Loc | | DIST | | REVISIONS | | | |
|-----|-----|--------------|---------|-----------|------|--|--|
| P | LTR | DESCRIPTION | DATE | DWN | APVD | | |
| B | | EH10-0680-05 | 30MAY05 | BSV | BM | | |



- NOTES:**
- ① MATERIAL CONTACT; PHOSPHORBRONZE
 - ② MATERIAL HOUSING; GLASSFILLED POLYESTER (GRAY) UL-RATING 49V0
 - ③ GENERAL PLATING SPECIFICATION: UNDERPLATING (ENTIRE CONTACT): 1,27µm NICKEL MIN. AND ACTION PIN: 0,5µm TIN MIN. FOR PLATING OF MATING SURFACES SEE APPLICABLE SPECIFICATION REFERENCE FOR EACH DASH NUMBER.
 - ④ CONFORMS TO ALL TESTING ACCORDING IEC 61076-4-101 PERFORMANCE LEVEL 2.
 - ⑤ CONFORMS TO ALL TESTING ACCORDING IEC 61076-4-101 PERFORMANCE LEVEL 1.
 - ⑥ CONNECTOR TESTED AND QUALIFIED AGAINST TELCORDIA GR-1217-CORE QUALITY LEVEL III, CENTRAL OFFICE APPLICATIONS.
 - ⑦ CONNECTOR TESTED AND QUALIFIED AGAINST TELCORDIA GR-1217-CORE QUALITY LEVEL III, UNCONTROLLED ENVIRONMENT APPLICATIONS.
 - ⑧ CONNECTOR LUBRICATED WITH TELCORDIA GR-1217-CORE APPROVED LUBRICANT.
 - ⑨ CONNECTOR MARKED WITH PARTNUMBER AND DATECODE. THE MARKING CAN APPEAR ON THE FRONT SIDE OR ON THE BACK SIDE.
 - ⑩ PLATED-THROUGH HOLES AT 2x2mm SQUARE GRID. 110 HOLES.
 - ⑪ FITS WITH INTEGRATED GROUND RETURN UPPERSHIELD, BASIC P.N. 5338107 AND INTEGRATED GROUND RETURN LOWERSHIELD, BASIC P.N. 5338108
 - ⑫ AREA RESERVED FOR CODING KEY, BASIC P.N. 100526
 - ⑬ CONNECTOR ASSEMBLED WITH ALTERNATE FEMALE CONTACTS.



SCALE 2,5:1
 COMPONENT SIDE AS SHOWN
 RECOMMENDED PCB-HOLE LAY-OUT

P.C.B. HOLE DIM. ACTION PIN
 FOR DETAILS SEE APPLICATION SPECIFICATION

| FINISH | MATERIAL | PARTNUMBER |
|--------|----------|---------------|
| ②⑥③ | ① | 1-5100147-9 ⑬ |
| ②⑤③ | ① | 5100147-9 ⑬ |
| ②④ | ① | 5100147-4 ⑬ |
| ②③ | ① | 5100147-1 ⑬ |

THIS DRAWING IS A CONTROLLED DOCUMENT.

| | | |
|------------------|-----------|-----------|
| DWN | K.N.KIRAN | 05AUG2004 |
| CHK | B.MOOIJ | 22SEP2004 |
| APVD | B.MOOIJ | 22SEP2004 |
| PRODUCT SPEC | 108-19082 | |
| APPLICATION SPEC | 114-19029 | |
| WEIGHT | - | |
| CUSTOMER DRAWING | | |

tyco Electronics Tyco Electronics Corporation
 's-Hertogenbosch, 5222AR-32

NAME: Z-PACK 2mm HM TYPE A
 110 POS. FEMALE CONNECTOR

| | | | | | | | |
|-------|-----|-----------|-------|------------|-----------|---------------|---|
| SIZE | A2 | CAGE CODE | 00779 | DRAWING NO | C=5100147 | RESTRICTED TO | - |
| SCALE | 5:1 | SHEET | 1 | OF | 1 | REV | B |