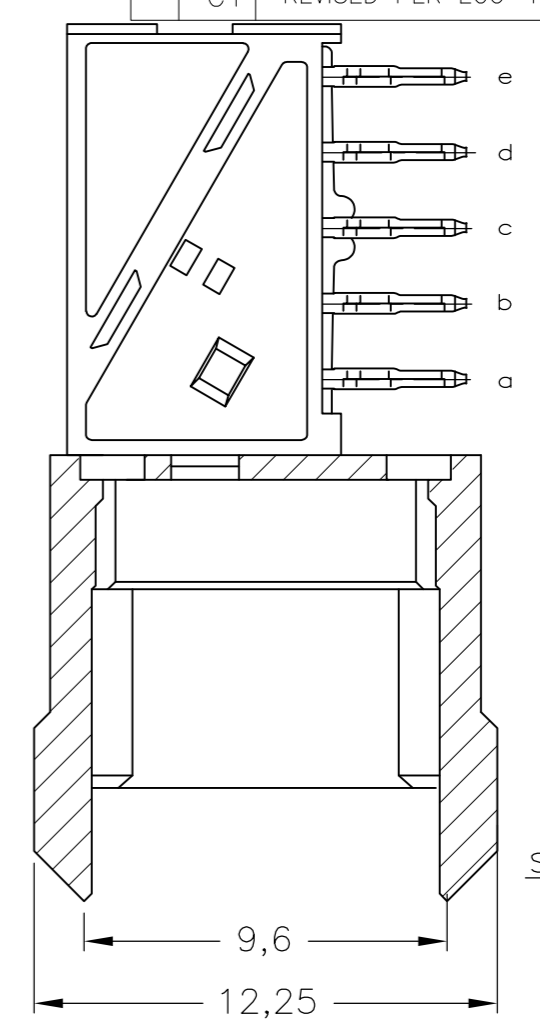
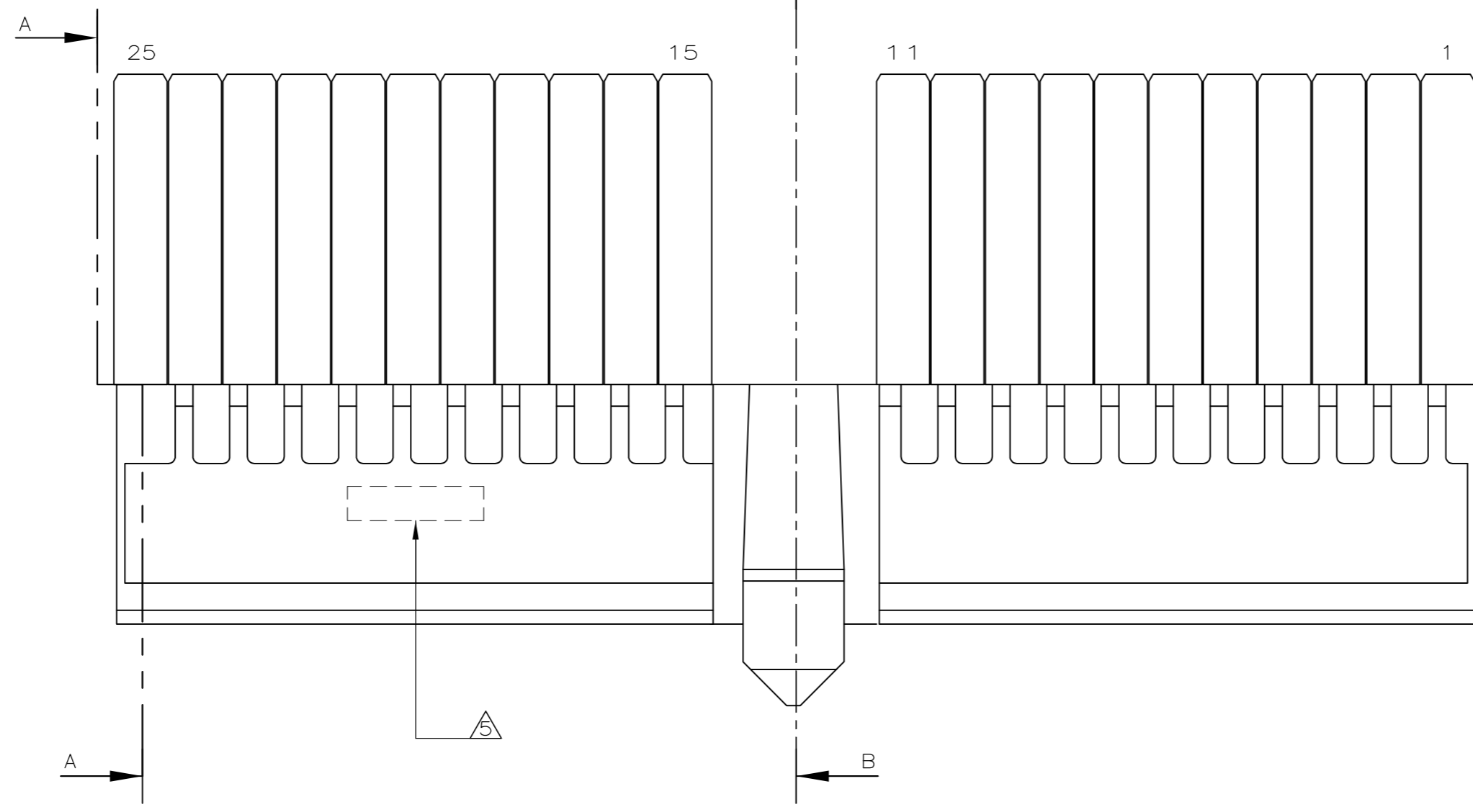
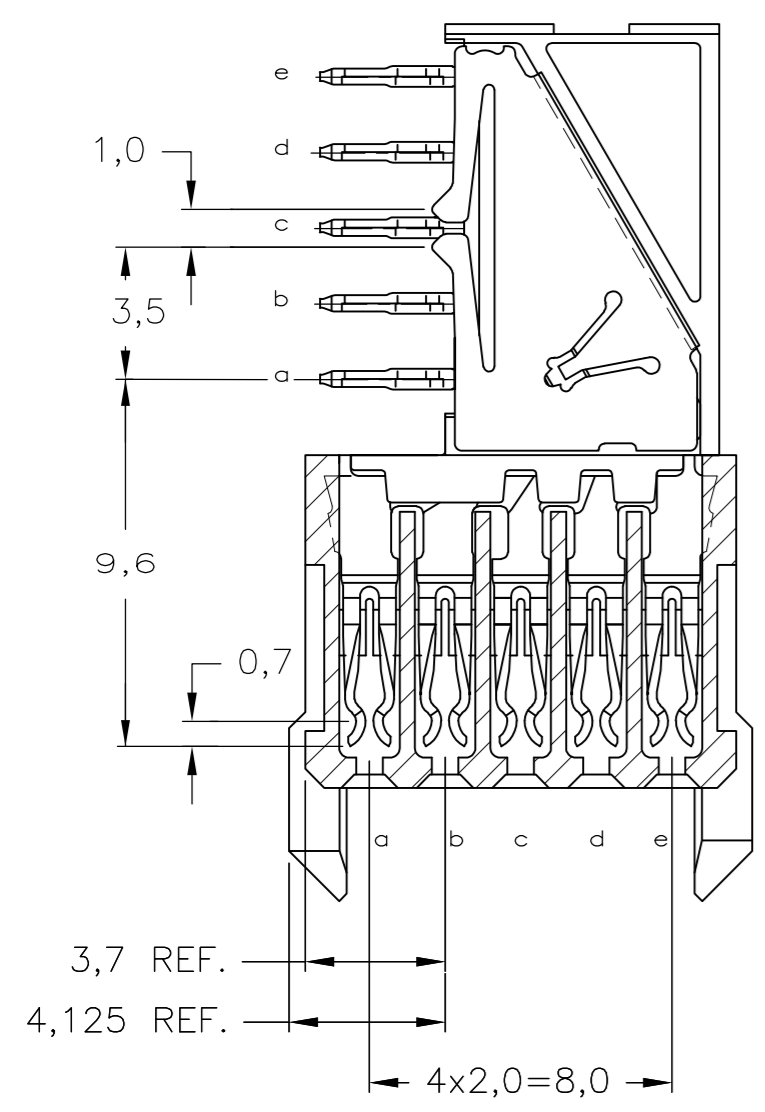


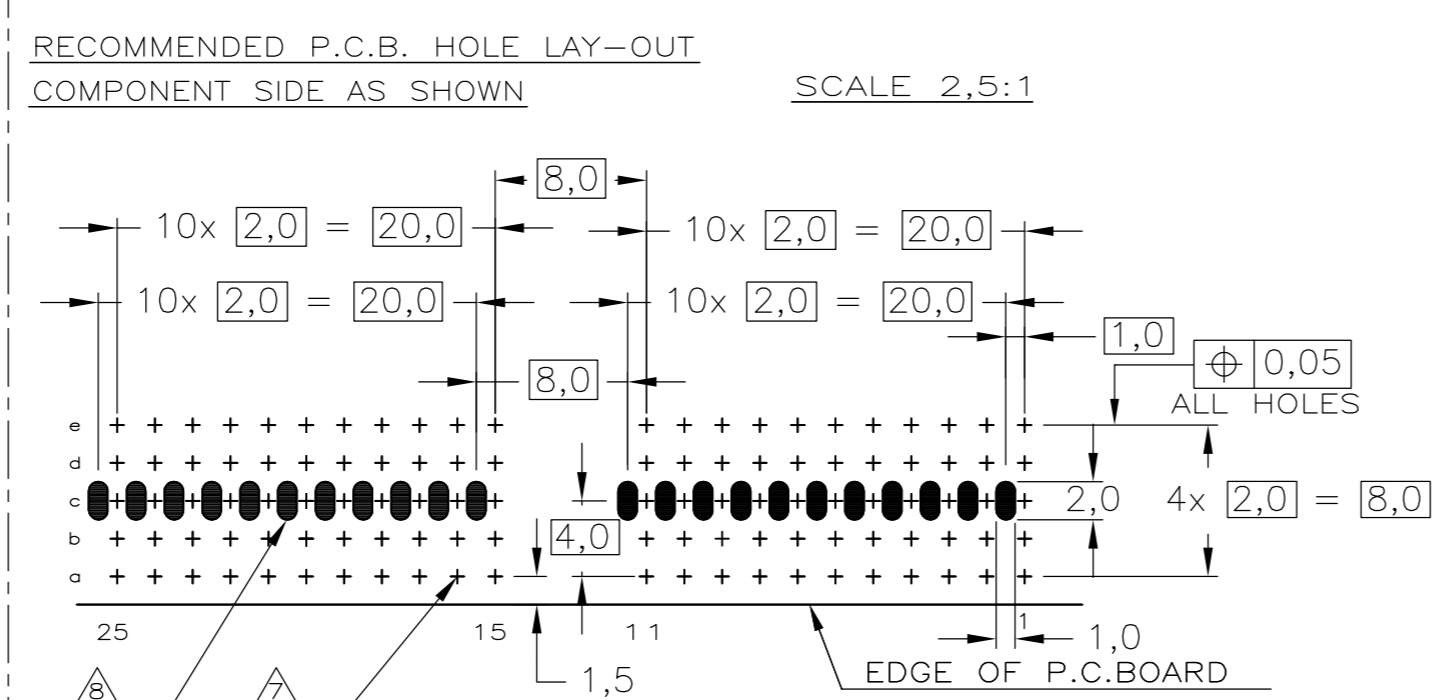
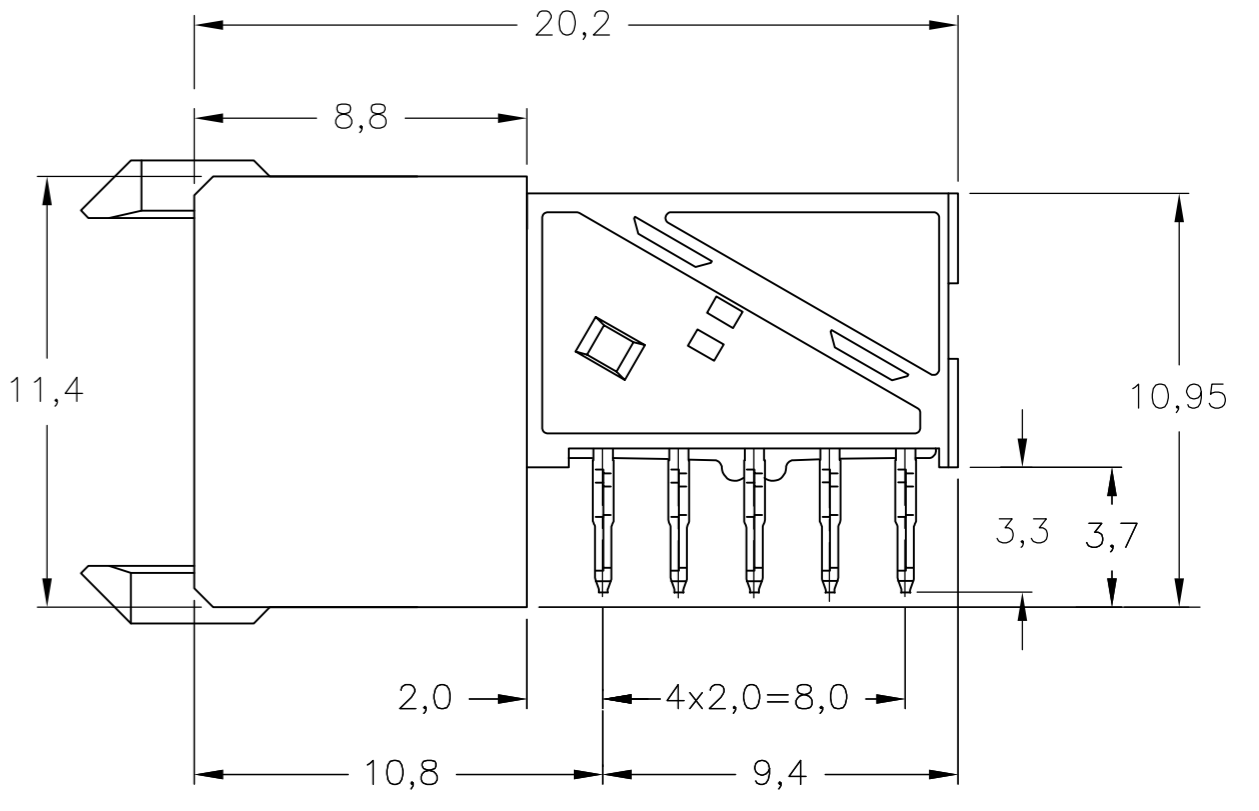
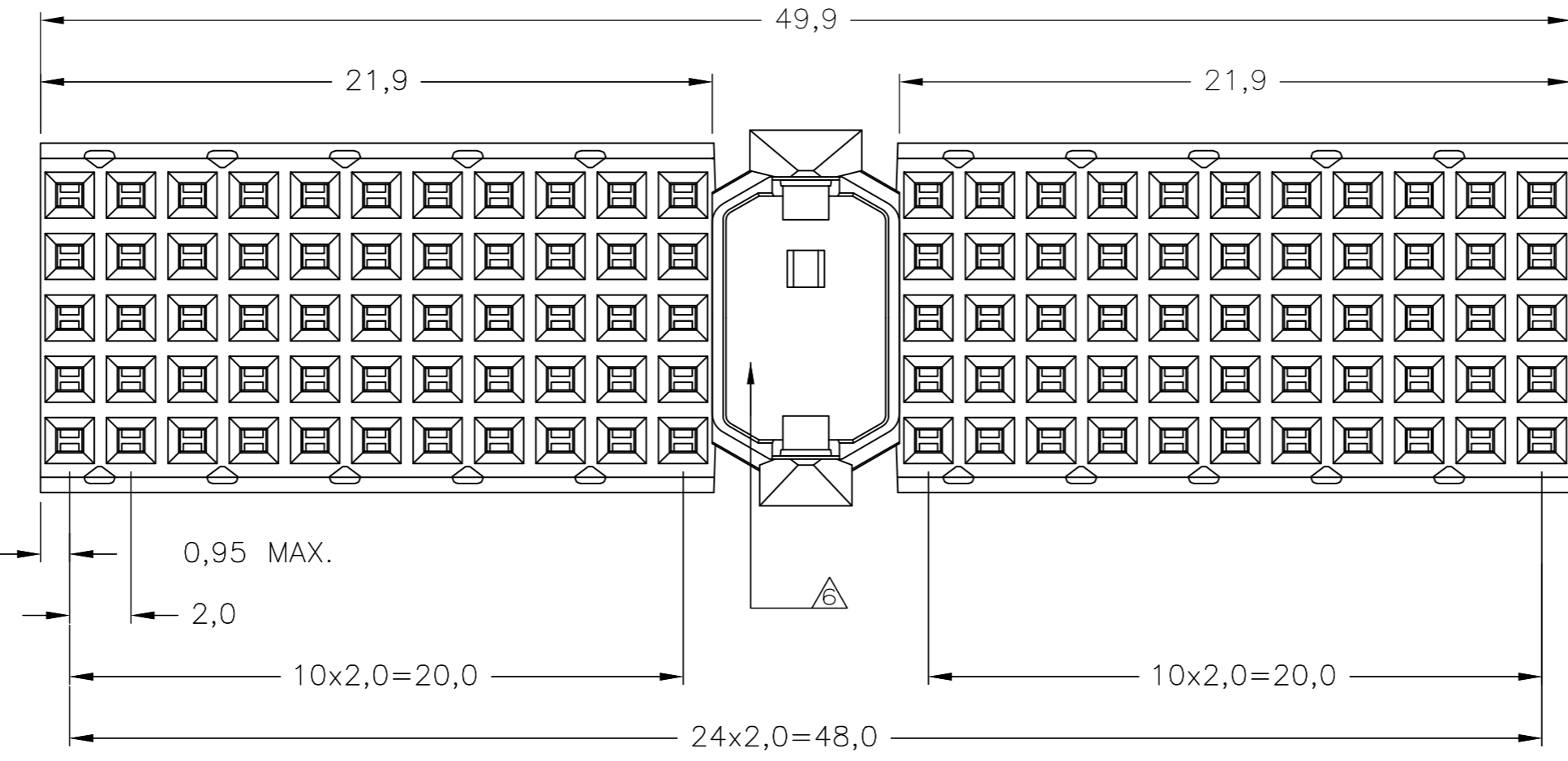
THIS DRAWING IS UNPUBLISHED. RELEASED FOR PUBLICATION
 © COPYRIGHT BY TYCO ELECTRONICS CORPORATION. ALL RIGHTS RESERVED.

LOC	DIST	REVISIONS					
		P	LTR	DESCRIPTION	DATE	DWN	APVD
H	-	C		ECR-06-026577	14-11-06	BSV	BM
		C1		REVISED PER ECO-10-000444	19JAN10	KK	HMR

SECTION A-A



- NOTES:
- 1 MATERIAL : CONTACT; PHOSPHORBRONZE
REDUCED CROSS-TALK SHIELD; PHOSPHORBRONZE
HOUSING; GLASSFILLED POLYESTER (GRAY)
 - 2 GENERAL CONTACT PLATING SPECIFICATION: UNDERPLATING
(ENTIRE CONTACT): 1,27µm NICKEL MIN. AND
ACTION PIN: 0,5µm TIN MIN.FOR PLATING OF MATING
SURFACES SEE APPLICABLE SPECIFICATION REFERENCE FOR
EACH DASH NUMBER.
REDUCED CROSS-TALK SHIELD PLATING:
GOLD FLASH OVER 1,27 µm NICKEL MIN.
 - 3 CONFORMS TO ALL TESTING ACCORDING IEC 61076-4-101
PERFORMANCE LEVEL 2.
 - 4 CONFORMS TO ALL TESTING ACCORDING IEC 61076-4-101
PERFORMANCE LEVEL 1.
 - 5 CONNECTOR PRINTED WITH PARTNUMBER AND
DATECODE THE MARKING CAN APPEAR ON THE
FRONT SIDE OR ON THE BACK SIDE.
 - 6 AREA RESERVED FOR KEYING PART
(BASIC P.N.100526)
 - 7 PLATED-THROUGH HOLES AT 2x2mm SQUARE GRID
TOTAL 110 HOLES.
 - 8 PLATED SPOT ONLY ON COMPONENT SIDE, FORMING
ONE CONTACT WITH PLATED THROUGH HOLES
OF ROW C
 - 9. FITS WITH INTEGRATED GROUND RETURN
UPPERSHIELD 5338107-2 AND LOWERSHIELD
5338108-2.
 - 10 OBSOLETE PARTS: OBSOLETE CIS STREAMLINING PER
D.RENAUD/D.SINISI



P.C.B. HOLE DIM. ACTION PIN
FOR DETAILS SEE
APPLICATION SPECIFICATION

THIS DRAWING IS A CONTROLLED DOCUMENT.

DIMENSIONS:	TOLERANCES UNLESS OTHERWISE SPECIFIED:
mm	0 PLC ± -
	1 PLC ± -
	2 PLC ± -
	3 PLC ± -
	4 PLC ± -
	ANGLES ± -
MATERIAL	FINISH
-	-

2	4	1	10	5100623-4
2	3	1		5100623-1
FINISH		MATERIAL		PARTNUMBER

DWN K.N.KIRAN 10AUG2004		Tyco Electronics Corporation	
CHK B.MOOIJ 22SEP2004		s-HertogenBosch, Netherlands,	
APVD B.MOOIJ 22SEP2004		NAME	
PRODUCT SPEC 108-19082		Z-PACK 2mm HM TYPE A	
APPLICATION SPEC 114-19029		110 POS. FEMALE CONNECTOR	
WEIGHT -		WITH REDUCED CROSSTALK SHIELD	
SIZE A2	CAGE CODE 00779	DRAWING NO C=5100623	RESTRICTED TO -
CUSTOMER DRAWING		SCALE 5:1	SHEET 1 OF 1 REV C1