

**PLEASE CHECK WWW.MOLEX.COM FOR LATEST PART INFORMATION**

**Part Number:** [0510150500](#)  
**Status:** **Active**  
**Description:** 2.00mm (.079") Pitch Board-In Crimp Housing, Low Profile, 5 Circuits

**Documents:**

<a href="#">3D Model</a>	<a href="#">Product Specification PS-51015-002 (PDF)</a>
<a href="#">Drawing (PDF)</a>	<a href="#">RoHS Certificate of Compliance (PDF)</a>
<a href="#">Product Specification PS-51015-001 (PDF)</a>	

**General**

Product Family	Crimp Housings
Series	51015
Product Name	Board-In

**Physical**

Circuits (maximum)	5
Color - Resin	Natural
Flammability	94V-0
Gender	Male
Glow-Wire Compliant	No
Material - Resin	Nylon
Number of Rows	1
Packaging Type	Bag
Panel Mount	No
Pitch - Mating Interface (in)	0.079 In
Pitch - Mating Interface (mm)	2.00 mm
Stackable	No
Temperature Range - Operating	-40°C to +105°C

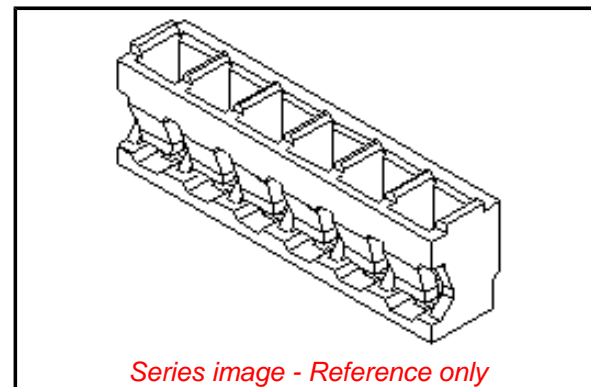
**Electrical**

UL	E29179
----	--------

**Material Info**

**Reference - Drawing Numbers**

Product Specification	PS-51015-001
Product Specification	PS-51015-002
Product Specification	RPS-51015-001
Product Specification	RPS-51015-003
Product Specification	RPS-51015-004
Product Specification	RPS-51015-006
Sales Drawing	SD-51015-**00



**EU RoHS**

**ELV and RoHS  
Compliant**  
**REACH SVHC  
Contains SVHC: No  
Halogen-Free  
Status**

**China RoHS**



**Need more information on product  
environmental compliance?**

Email [productcompliance@molex.com](mailto:productcompliance@molex.com)  
Please visit the [Contact Us](#) section for any  
non-product compliance questions.

**Search Parts in this Series**  
51015 Series

**Use With**  
50034