

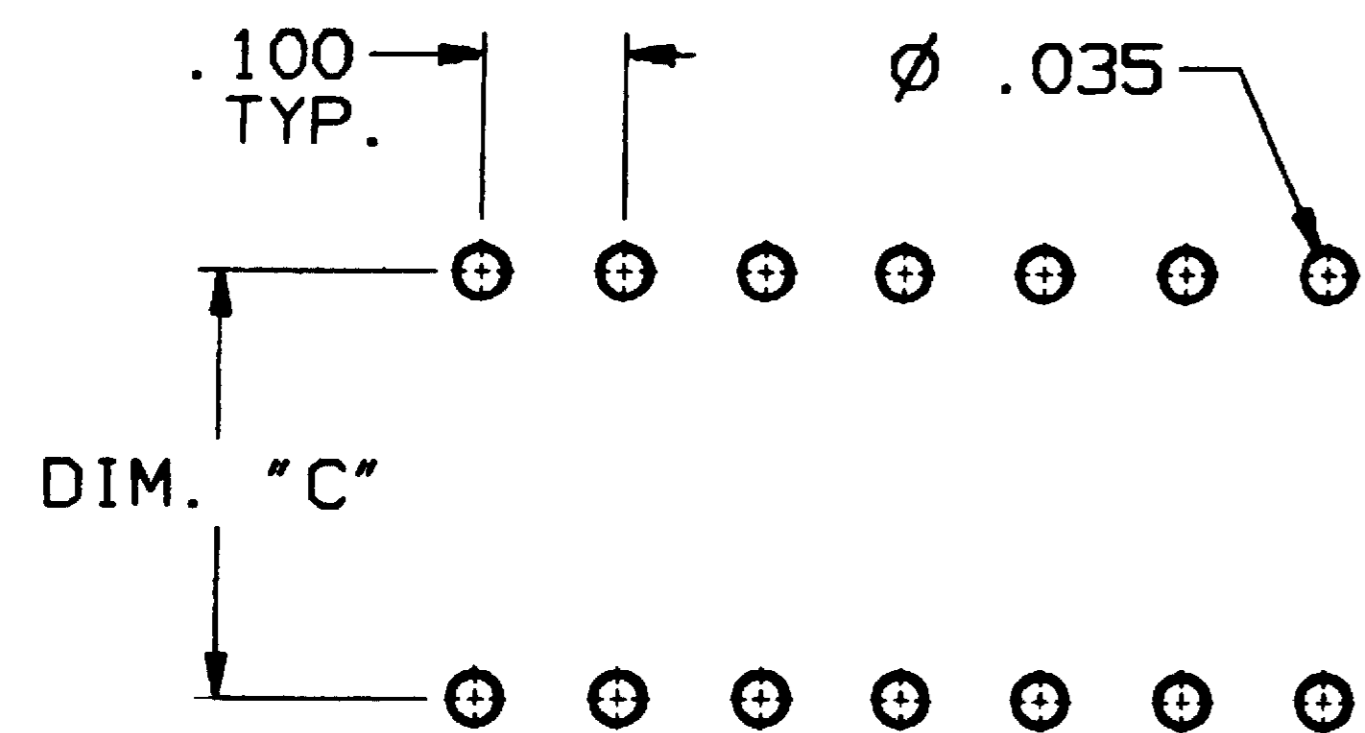
CONVERSION CHART	
INCH	MM
.002	0.05
.005	0.13
.010	0.25
.020	0.51
.035	0.89
.100	2.54
.125	3.18
.135	3.43
.180	4.57
.180	4.57
.150	3.82
.300	7.62
.400	10.16
.600	15.24
.700	17.78
.800	20.32
1.000	25.40
1.200	30.48
1.400	35.56
1.800	45.72
2.000	50.8
2.100	53.34
2.400	60.96
3.200	81.28



FIG. 1



FIG. 2



P.C.B. HOLE LAYOUT

TOLERANCE ±.002

THIS IS A C.A.D. GENERATED DRAWING. DO NOT MAKE MANUAL REVISIONS TO MASTER.

PART NUMBER	FIG.	DIM. "A"	DIM. "B"	DIM. "C"
514-AG10D-ES 514-AG11D-ES 514-AG11D-ESL	1	.700	.400	.300
516-AG10D-ES 516-AG11D-ES 516-AG11D-ESL	1	.800	.400	.300
520-AG10D-ES 520-AG11D-ES 520-AG11D-ESL	1	1.000	.400	.300
524-AG10D-ES 524-AG11D-ES 524-AG11D-ESL	2	1.200	.700	.600
528-AG10D-ES 528-AG11D-ES 528-AG11D-ESL	2	1.400	.700	.600
532-AG10D-ES 532-AG11D-ES 532-AG11D-ESL	2	1.600	.700	.600
540-AG10D-ES 540-AG11D-ES 540-AG11D-ESL	2	2.000	.700	.600

SPECIFICATIONS:

MATERIALS:

INSULATOR: POLYESTER, UL RATED 94V-0.  
CONTACT: COPPER ALLOY  
SLEEVE: COPPER ALLOY.  
PLATING: 10D-ES - CONTACT - GOLD OVER NICKEL.  
SLEEVE - GOLD OVER NICKEL.  
11D-ES - CONTACT - GOLD OVER NICKEL.  
SLEEVE - TIN/LEAD.  
11D-ESL - CONTACT - LOW GOLD OVER NICKEL.  
SLEEVE - TIN/LEAD.

ELECTRICAL:

CONTACT RESISTANCE: 10 MILLIOHMS MAX.  
CONTACT RATING: 3 AMPS.  
CAPACITANCE: 1.0 pF PER MIL-STD-202, METHOD 305.  
INSULATION RESISTANCE: 5000 MΩ MIN. @ 500 VDC PER MIL-STD-1344, METHOD 3003.1.  
DIELECTRIC WITHSTANDING VOLTAGE: 1000 VOLTS (RMS) PER MIL-STD-1344, METHOD 3001.1.

MECHANICAL:

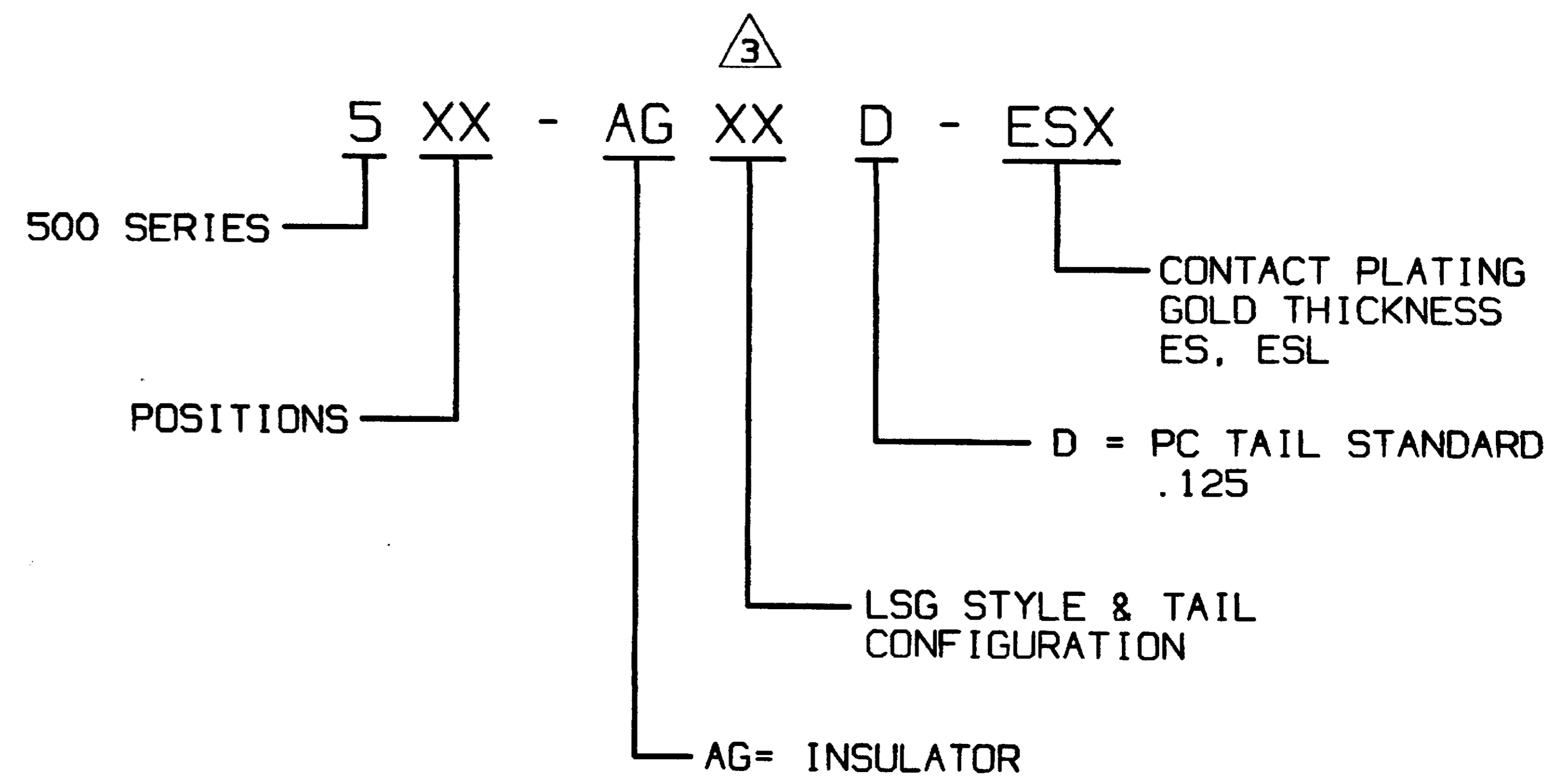
INSERTION FORCE: 179 GRAMS AVERAGE WHEN MEASURED WITH Ø .018 POLISHED STEEL PIN.  
WITHDRAWAL FORCE: 63 GRAMS AVERAGE WHEN MEASURED WITH Ø .018 POLISHED STEEL PIN.

ENVIRONMENTAL:

OPERATING TEMPERATURE:  
TIN/LEAD CONTACT: -63°F TO +221°F (-55°C TO +105°C).  
GOLD CONTACT: -63°F TO +261°F (-55°C TO +125°C).

NOTES:

1. INTERPRET DRAWING PER ASME Y14.5M-1994.



OUTLINE DRAWING

SPECIFICATIONS ARE SUBJECT TO CHANGES WITHOUT NOTICE

REV	REVISIONS
0	INITIAL RELEASE ESR#6572 S. KIRCORIAN 5-31-95 APP'D: D.O'NEILL 6-2-95
1	REVISED ECO#676-95 S. KIRCORIAN 9-25-95 APP'D: D.O. 9-26-95
2	REVISED ECO# 473-96 L.S. 8-7-96 APP'D: D.O. 8-13-96
3	REVISED ECO# 186-97 CAT 6-23-97 APP'D: D. O'NEILL 6/27/97

THIRD ANGLE PROJECTION

TOLERANCES (EXCEPT AS NOTED)  
ANGULAR = ±1°  
DECIMAL .XX = ±  
DECIMAL .XXX = ±.010  
DECIMAL .XXXX = ±

AUGAT CONFIDENTIAL  
This document contains information which is the exclusive property of Augat Inc.  
Distribution, reproduction or use by others is not permitted without the expressed written consent of Augat Inc.

UNLESS OTHERWISE SPECIFIED DIMENSIONS ARE IN INCHES DO NOT SCALE PRINT

FILE NAME: SXXADU1  
DIRECTORY: PNCODEAS

MATERIAL: SEE SPECIFICATIONS

FINISH: SEE SPECIFICATIONS

ORIGINAL DATE OF DRAWING: 5-31-95

DRAWN: S. KIRCORIAN  
DATE: 5-31-95

CHECKED: DATE:

APPROVED: D.O'NEILL  
DATE: 6-2-95

CODE IDENT. NO. 91506  
DWG. SIZE C

NEXT ASSY:

**AUGAT** INC. 452 JOHN DIETSCH BLVD. ATTLEBORO FALLS, MASS. 02763

TITLE: OUTLINE DRAWING  
500 SERIES

DWG. NO. 5XX-AGXXD-ES, ESL-SD  
REV. 3

PRODUCT CODE: 6231  
SCALE: SHEET 1 OF 1