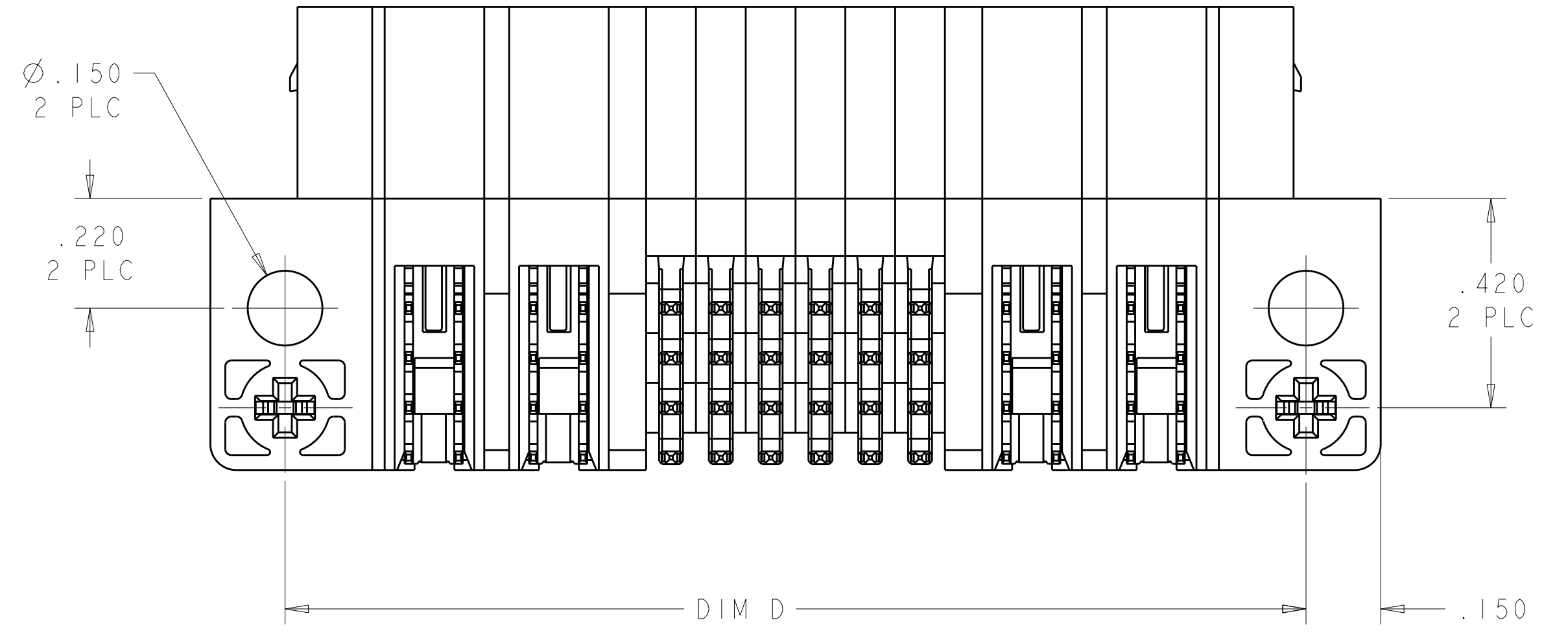
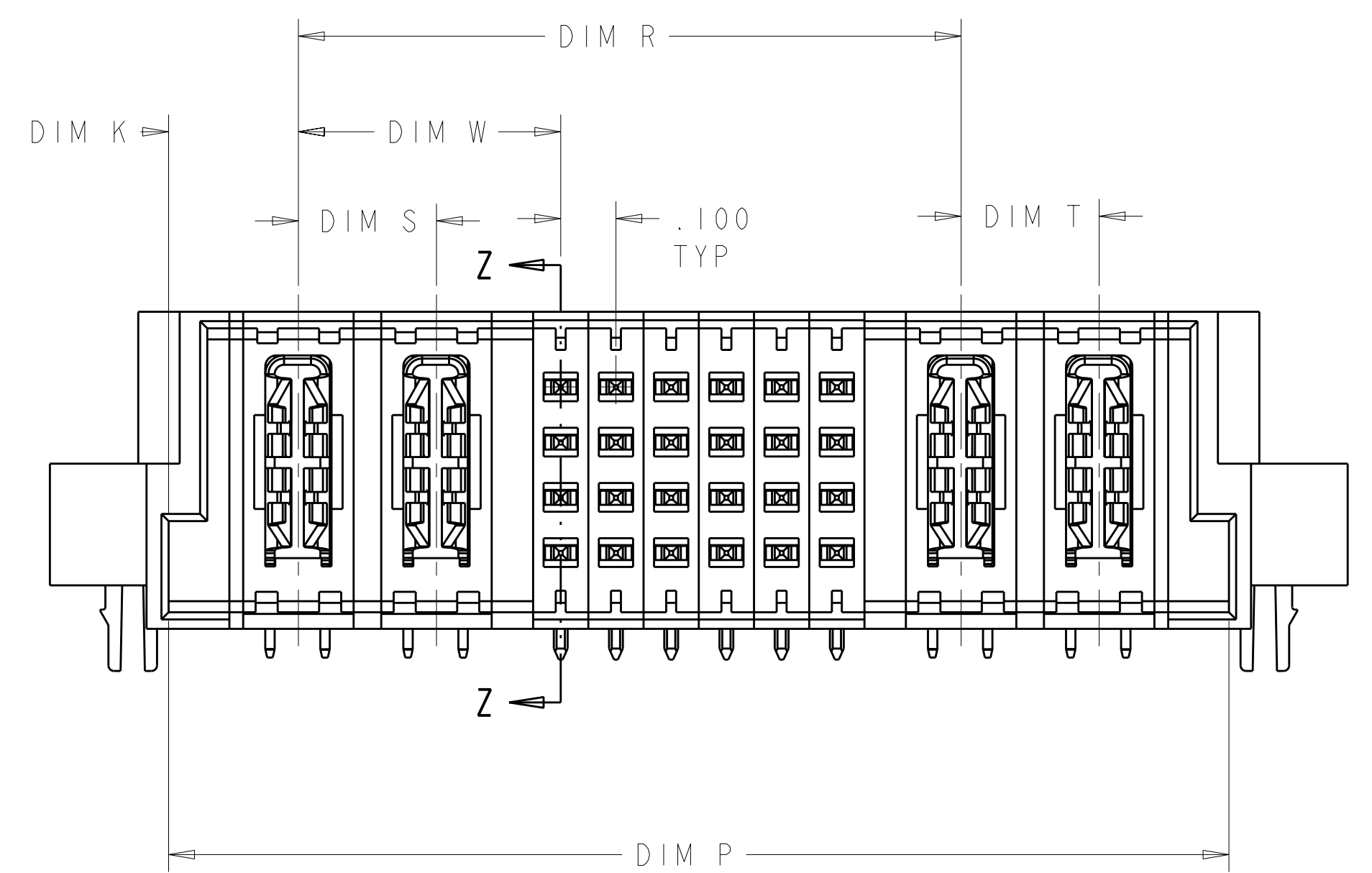
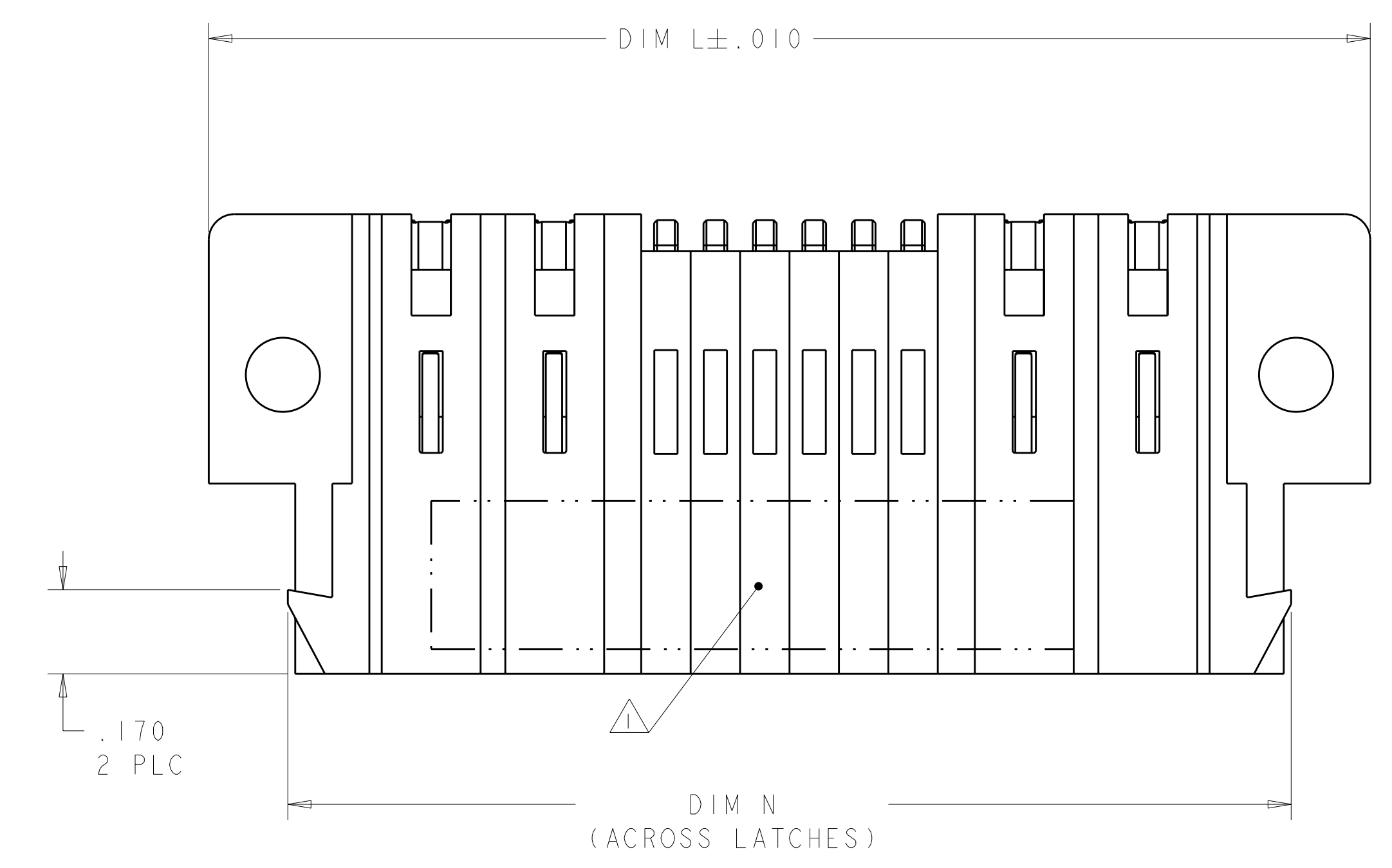
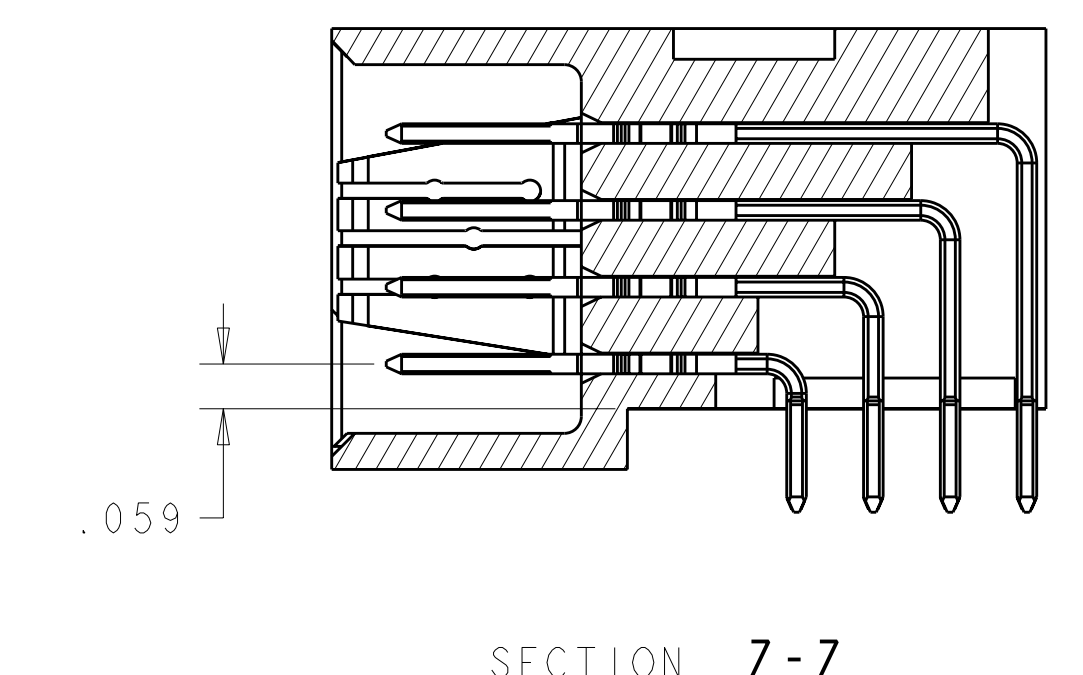
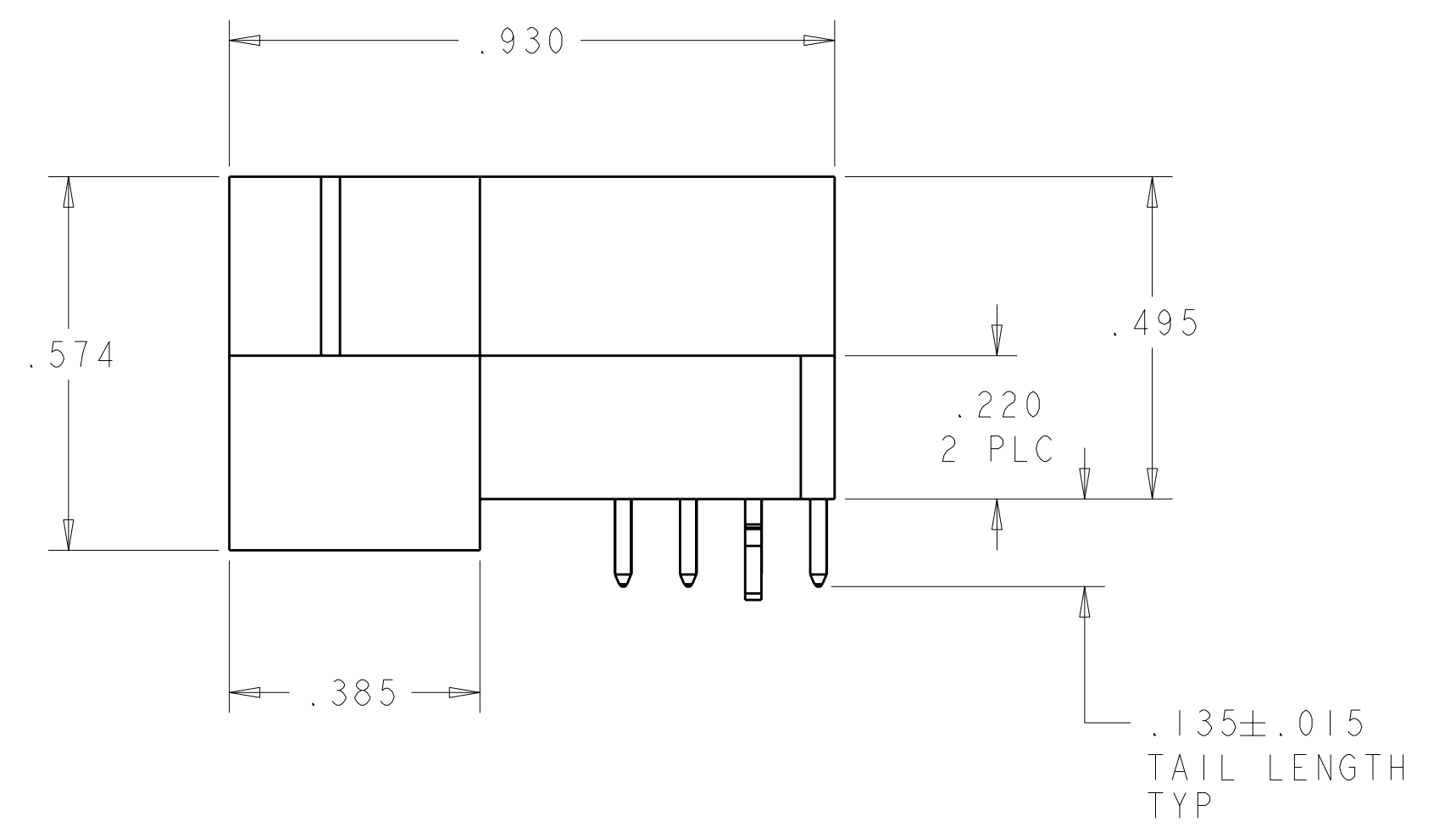


LOC	DIST	REV	DATE	DWN	APVD
GP	00				
A2		ADD NEW DASH NUMBER -8	12JUN2008	CZ	SY
B		REV PER ECR-08-016652	08JUL2008	CZ	SY
B1		REVISED	18AUG2008	HL	SY
B2		REV PER ECR-08-022038	02SEP2008	HL	SY



- 1 "AMP" PART NUMBER AND DATE CODE TO BE MARKED IN AREA SHOWN. PARTS UNDER 2.500 LONG MAY BE MARKED ON BOTH SIDES.
- 2 MATERIAL: HOUSING - GLASS FILLED HIGH TEMP THERMO PLASTIC, UL 94 V-0
 SIGNAL CONTACT - COPPER ALLOY
 POWER CONTACT - HIGH CONDUCTIVITY COPPER ALLOY.
- 3 CONTACT PLATING:
 SIGNAL CONTACTS: .000050 MIN Ni UNDER ALL
 .000030 MIN Au ON CONTACT AREA
 .000100 MIN Sn AT PCB INTERFACE.
 POWER CONTACTS: .000050 MIN Ni UNDER ALL
 .000030 MIN Au ON CONTACT AREA
 .000100 MIN Sn AT PCB INTERFACE.
- 4 MECHANICAL CONNECTOR KEEP OUT ZONE. WHEN PLACING CONNECTORS END-TO-END, ALLOW ADDITIONAL 0.1 CLEARANCE BETWEEN CONNECTORS FOR LATCH ACTIVATION.
- 5 DATUM AND BASIC DIMENSIONS ESTABLISHED BY CUSTOMER.
- 6 PCB - ALL HOLE DIAMETERS ARE FINISHED HOLE SIZES.
- 7 PCB - .0453±.0010 DRILLED HOLES PLATED WITH .0003 MIN Sn OVER .001 TO .003 Cu PLATING TO ACHIEVE A .040 DIA HOLE.
- 8 NOT RELEASED FOR PRODUCTION.



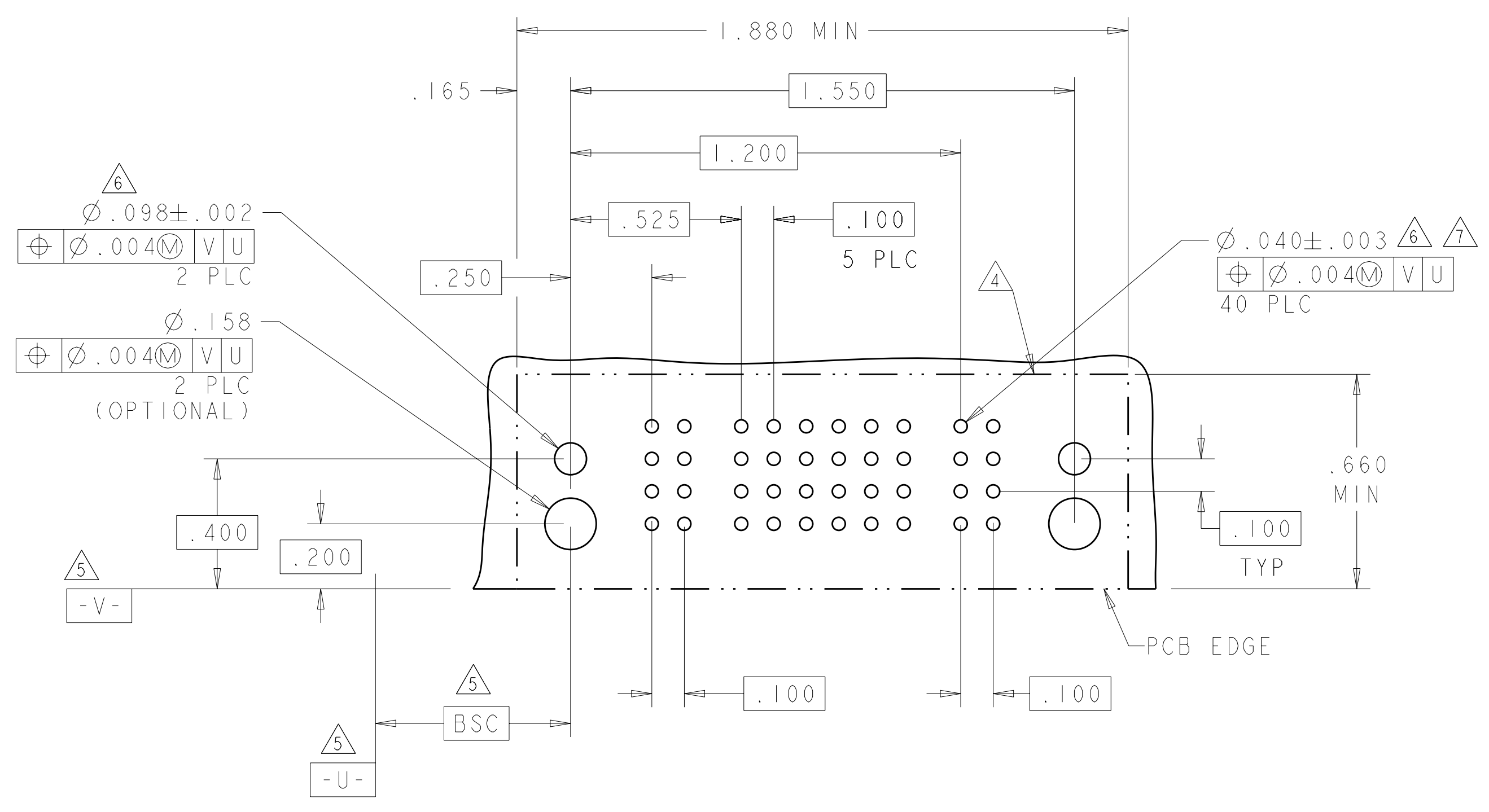
3.920	4.030	4.050	2.200	1.475	.250	.250	4.350	.235	6P + 24S + 6P	6450128-8
2.920	3.030	3.050	1.700	.975	.250	.250	3.350	.235	4P + 24S + 4P	6450128-5
1.920	2.030	2.050	1.200	.475	.250	.250	2.350	.235	2P + 24S + 2P	6450128-2
1.420	1.530	1.550	.950	.225	-	-	1.850	.235	1P + 24S + 1P	6450128-1
DIM P	DIM N	DIM D	DIM R	DIM W	DIM T	DIM S	DIM L	DIM K	DESCRIPTION	PART NUMBER

DIMENSIONS: INCHES 		TOLERANCES UNLESS OTHERWISE SPECIFIED: 9 PLC ±.01 5 PLC ±.005 4 PLC ±.0020 ANGLES ±.02		DWN: R. GRZYBOWSKI CHK: M. PERCHERKE APVD: M. PERCHERKE		10FEB05 10FEB05 NAME: M. PERCHERKE		Tyco Electronics Corporation Harrisburg, PA 17105-3608	
MATERIAL:		FINISH:		PRODUCT SPEC: 108-1973 APPLICATION SPEC: 114-13038		RIGHT ANGLE HEADER ASSEMBLY W/END LATCHES MULTI-BEAM XL		SIZE: A1 CAGE CODE: 00779 DRAWING NO: C=6450128	
CUSTOMER DRAWING				WEIGHT: -		SCALE: 4:1		SHEET 1 OF 3 REV B2	

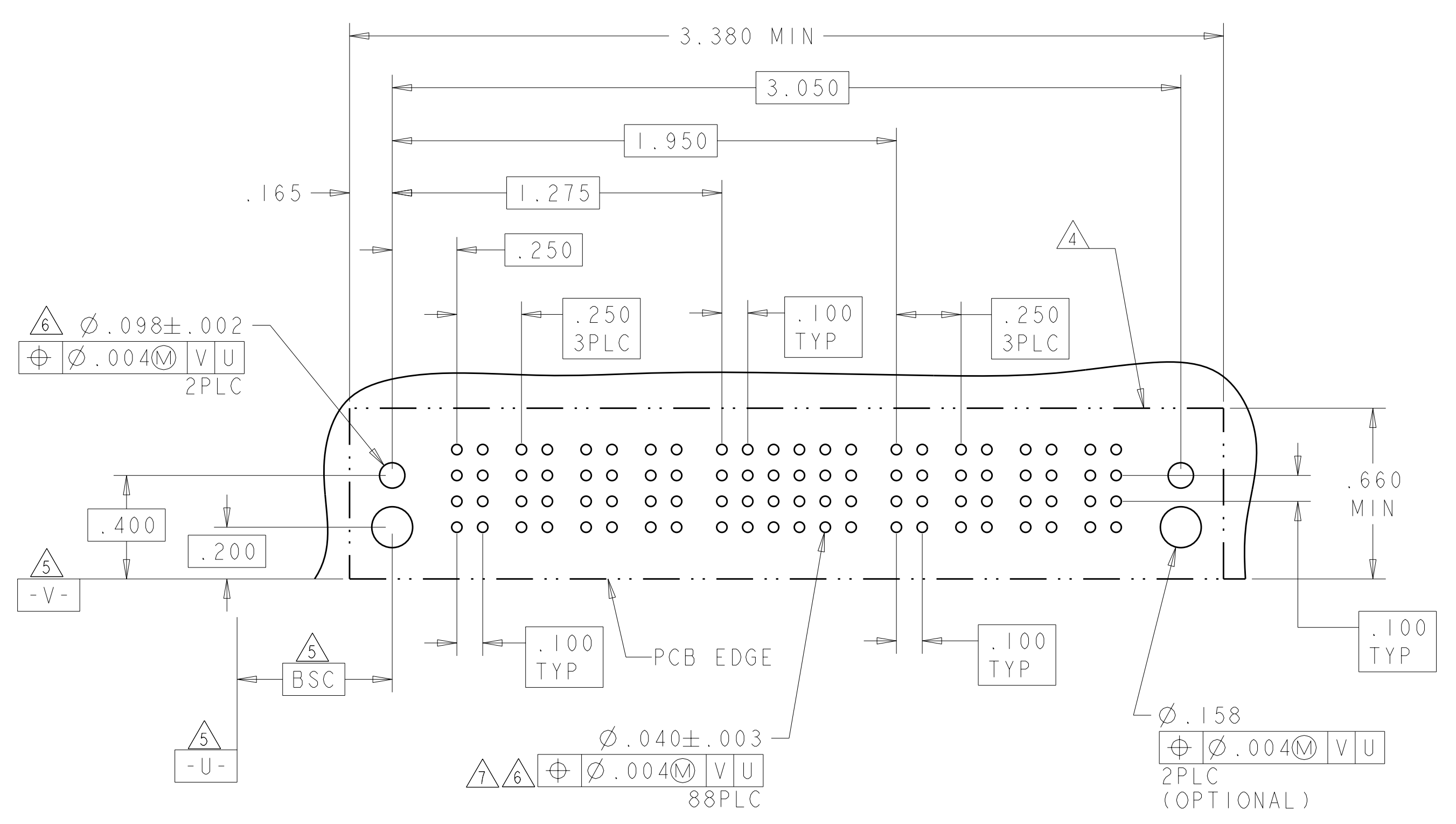
LOC	DIST	REV	DATE	BY	APPD
GP	00				

REVISIONS			
REV	DATE	BY	APPD
-	-	-	-
SEE SHEET 1			

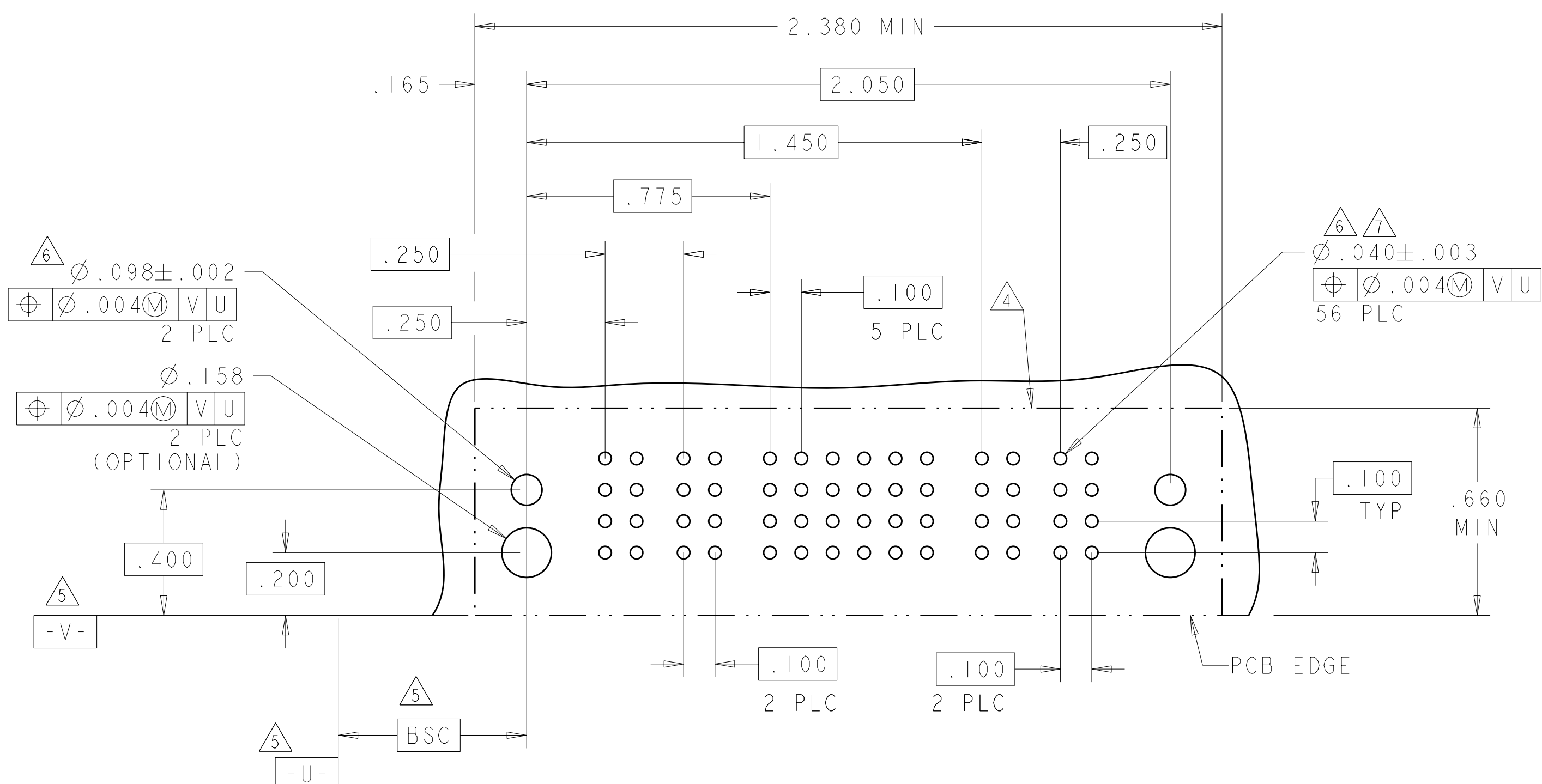
PART NUMBER	ROWS	POWER		SIGNAL						POWER			
		P1	P2	1	2	3	4	5	6	P1	P2		
6450128-1	D C B A	PM	PM	J	J	J	J	J	J	J	J	PM	PM
				K	K	K	K	K	K	K	K		
				N	N	N	N	N	N	N	N		
				S	S	S	S	S	S	S	S		
IP + 24S + IP													



PART NUMBER	ROWS	POWER				SIGNAL						POWER					
		P1	P2	P3	P4	1	2	3	4	5	6	P5	P6	P7	P8		
6450128-5	D C B A	PM	PM	PM	PM	J	J	J	J	J	J	J	J	PM	PM	PM	PM
						K	K	K	K	K	K	K	K				
						N	N	N	N	N	N	N	N				
						S	S	S	S	S	S	S	S				
4P + 24S + 4P																	



PART NUMBER	ROWS	POWER		SIGNAL						POWER			
		P1	P2	1	2	3	4	5	6	P3	P4		
6450128-2	D C B A	PM	PM	J	J	J	J	J	J	J	J	PM	PM
				K	K	K	K	K	K	K	K		
				N	N	N	N	N	N	N	N		
				S	S	S	S	S	S	S	S		
2P + 24S + 2P													



CODE	TAIL LENGTH
PA	.090
PM	.135

CODE	MATING SEQUENCE	TAIL LENGTH	ROW
E	MLBF	.135	D
F	MLBF	.135	C
G	MLBF	.135	B
H	MLBF	.135	A
J	STD	.135	D
K	STD	.135	C
N	STD	.135	B
S	STD	.135	A

DIMENSIONS: INCHES 		TOLERANCES UNLESS OTHERWISE SPECIFIED: 9 PLC ±. 1 PLC ±.01 5 PLC ±.005 4 PLC ±.0020 ANGLES ±.020		DWN R. GRZYBOWSKI TOFEB05 CHK M. PERCHERKE TOFEB05 APVD M. PERCHERKE PRODUCT SPEC 108-1973 APPLICATION SPEC 114-13038 WEIGHT CUSTOMER DRAWING		Tyco Electronics Corporation Harrisburg, PA 17105-3608 NAME RIGHT ANGLE HEADER ASSEMBLY W/END LATCHES MULTI-BEAM XL SIZE CAGE CODE DRAWING NO. RESTRICTED TO A1 00779 C=6450128 SCALE 4:1 SHEET 2 OF 3 REV B2	
------------------------	--	---	--	---	--	---	--

