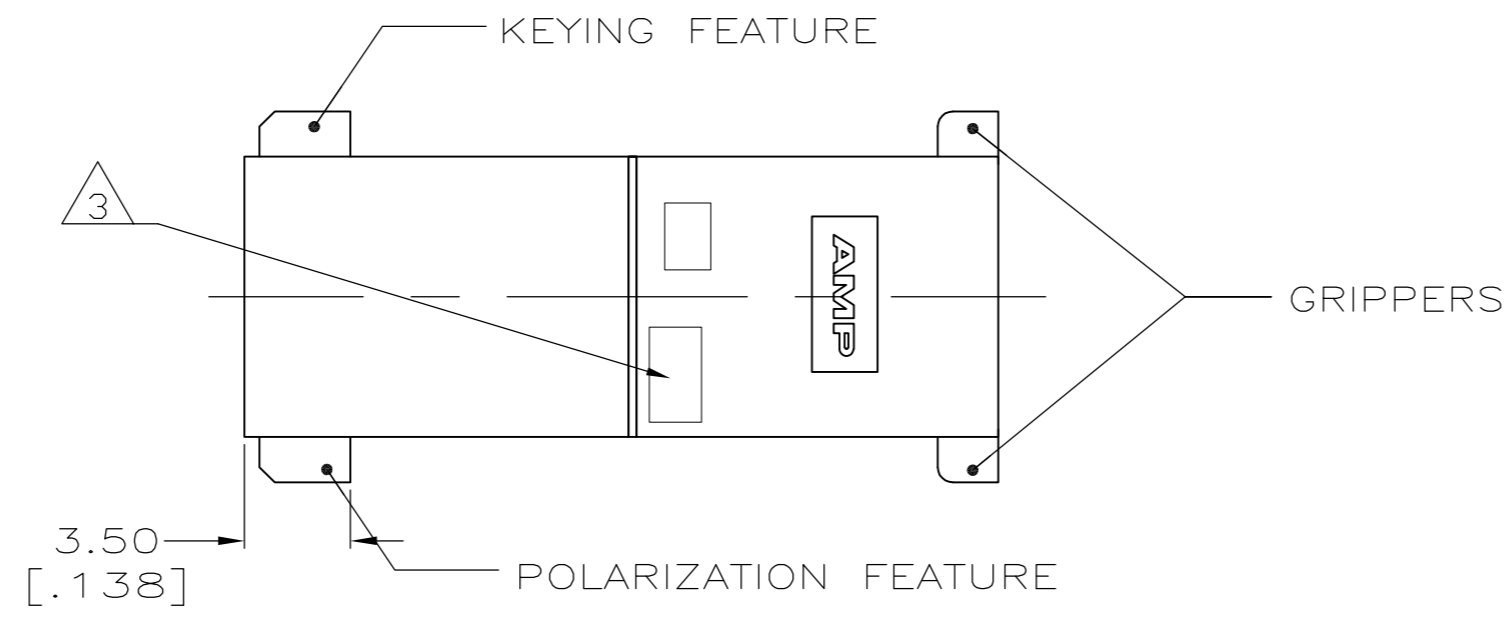


THIS DRAWING IS UNPUBLISHED. RELEASED FOR PUBLICATION  
 © COPYRIGHT BY TYCO ELECTRONICS CORPORATION. ALL RIGHTS RESERVED.

LOC		DIST		REVISIONS			
AF	50	P	LTR	DESCRIPTION	DATE	DWN	APVD
		R4		REV PER ECR 09-017741	08SEPT09	JR	RL

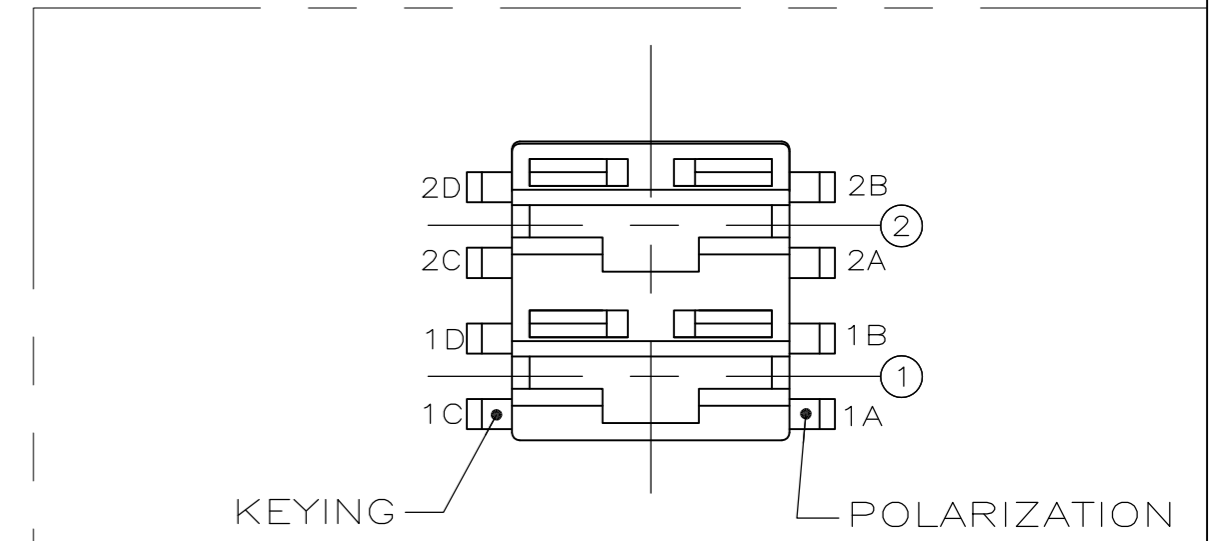
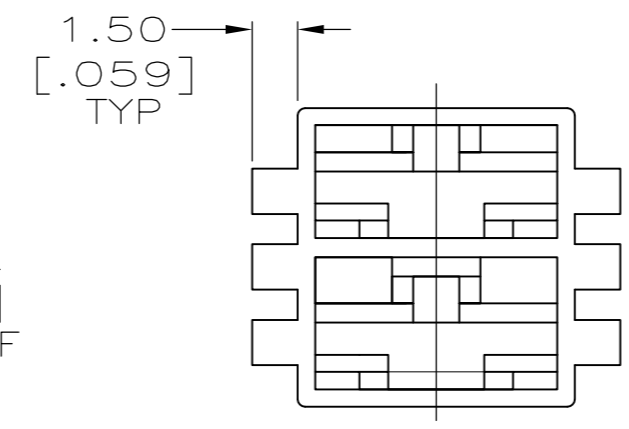
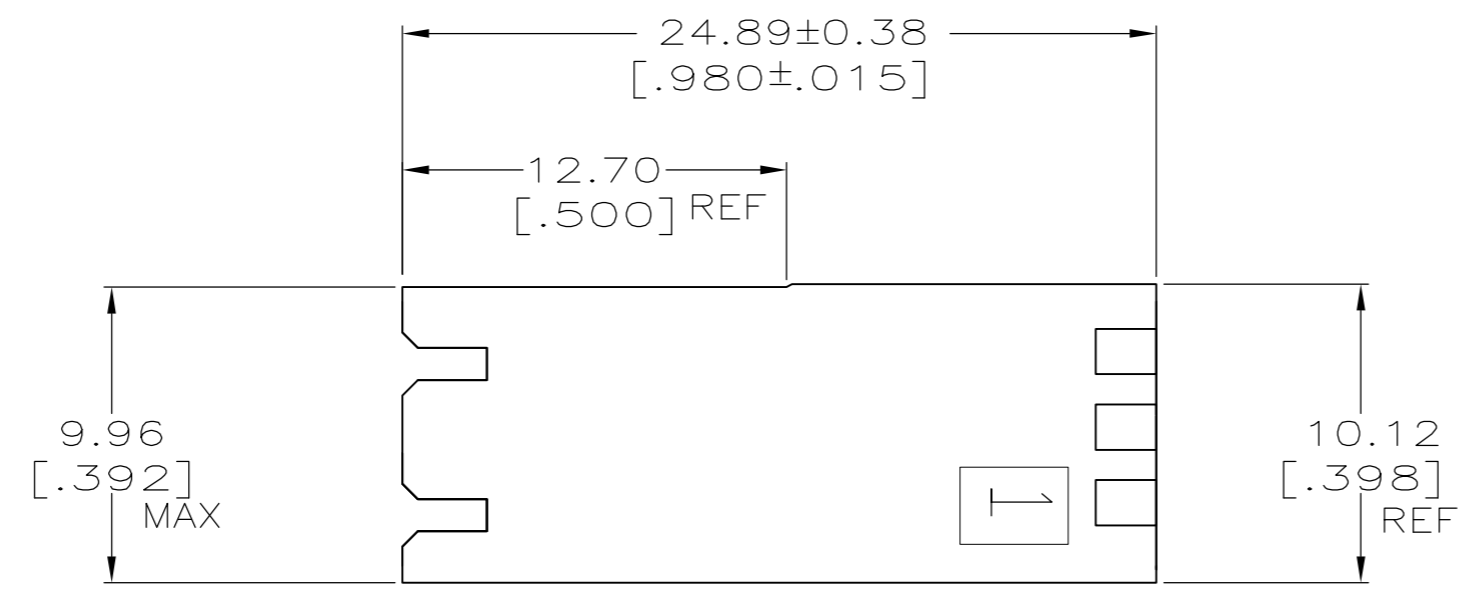
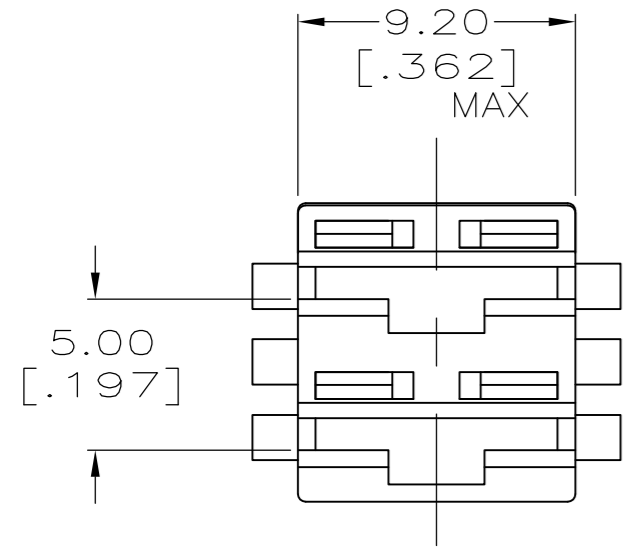


1 ACCEPTS RECEPTACLE CONTACTS 1217378(#18-#22 AWG SINGLE WIRE), 1217094(#18-#14 AWG SINGLE WIRE) AND 1217095 (TWO #18'S OR TWO #16'S OR A #16 + #18 COMBINATION).

2 FRONT AND BACK VIEWS SHOW ONLY THE GRIPPERS. FOR KEYING AND POLARIZATION FEATURES, SEE SPECIAL FRONT VIEW.

3 DFE SYMBOL

4 PRELIMINARY - NOT FOR PRODUCTION



KEYING & POLARIZATION CODING AND COMBINATIONS  
SPECIAL FRONT VIEW

PA 66/6	02-A	NATURAL	1C,2D	1B & 2A	4 1-521204-2
PA 6	02-A	NATURAL	1C,2D	1B & 2A	4 1-521204-1
PA 66/6	-	BLUE	1C,2D	1A,1B,2A,2B	4 1-521204-0
PA 66/6	02-C	BLUE	1C,2D	2A	4 521204-9
PA 66/6	02-K	BLUE	1C	1A & 2A	4 521204-8
PA 66/6	02-B	BLUE	1C	1A & 2B	4 521204-7
PA 66/6	02-A	BLUE	1C,2D	1B & 2A	521204-6
PA 66/6	-	BLUE	NONE	NONE	521204-5
PA 66/6	-	NATURAL	1D	1A & 2B	4 521204-4
PA 66/6	02-E	NATURAL	2D	1A & 2B	4 521204-3
PA 66/6	-	BLUE	1D	1A & 2B	521204-2
PA 66/6	02-E	BLUE	2D	1A & 2B	521204-1
3 DFE SYMBOL	RAST CONFIGURATION	FINISH/COLOR	KEYING FEATURE	POLARIZATION FEATURES	PART NO.

THIS DRAWING IS A CONTROLLED DOCUMENT.

DWN	JR RUTH	10/20/98	Tyco Electronics Corporation Harrisburg, PA 17105-3608								
CHK	MS FEHER	10/20/98									
APVD	J GILLESPIE	10/20/98									
PRODUCT SPEC											
APPLICATION SPEC			NAME								
			HOUSING, RECEPT, POSITIVE-LOCK, MKIII, 6.35 [.250] SERIES, 2 POSITION								
MATERIAL	NYLON 3	FINISH	SEE TABLE	SIZE	A2	CAGE CODE	00779	DRAWING NO	C=521204	RESTRICTED TO	-
				WEIGHT	-			SCALE	4:1	SHEET	1 OF 1
				CUSTOMER DRAWING				REV	R4		