

PLEASE CHECK WWW.MOLEX.COM FOR LATEST PART INFORMATION

Part Number: [0525592492](#)
Status: **Contact Molex**
Description: 0.50mm (.020") Pitch FFC/FPC Connector, Vertical, SMT, ZIF, 24 Circuits

Documents:

[3D Model](#) [Product Specification PS-52559-010 \(PDF\)](#)
[Drawing \(PDF\)](#) [RoHS Certificate of Compliance \(PDF\)](#)

General

Product Family FFC/FPC Connectors
 Series [52559](#)
 Product Name N/A

Physical

Circuits (Loaded) 24
 Color - Resin Natural
 Contact Position N/A
 Entry Angle Vertical
 Flammability 94V-0
 Mated Height (in) 0.154 In
 Mated Height (mm) 3.90 mm
 Material - Metal Phosphor Bronze
 Material - Plating Mating Tin-Lead
 Material - Plating Termination Tin-Lead
 Material - Resin High Temperature Thermoplastic
 Number of Rows 1
 Orientation Vertical
 PCB Locator No
 PCB Retention Yes
 Packaging Type Embossed Tape on Reel
 Pitch - Mating Interface (in) 0.020 In
 Pitch - Mating Interface (mm) 0.50 mm
 Plating min: Mating (µin) 120
 Plating min: Mating (µm) 3
 Plating min: Termination (µin) 120
 Plating min: Termination (µm) 3
 Polarized to PCB No
 Stackable No
 Surface Mount Compatible (SMC) N/A
 Temperature Range - Operating -20°C to +85°C
 Termination Interface: Style Surface Mount
 Wire/Cable Type FFC/FPC

Electrical

Current - Maximum 0.5A
 UL E29179
 Voltage - Maximum 50V

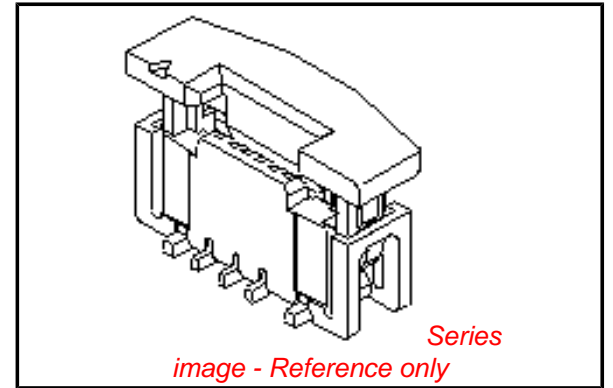
Solder Process Data

Replacement RoHS Compliant Part Number 0525592472

Material Info

Reference - Drawing Numbers

Product Specification PS-52559-010, RPS-52559-001, RPS-52559-002,
 RPS-52559-004, RPS-52559-005, RPS-52559-006,
 RPS-52559-007, RPS-52559-013, RPS-52559-031,



EU RoHS

Not RoHS Compliant
REACH SVHC
Contains SVHC: No
Halogen-Free
Status
Not Reviewed

China RoHS



Need more information on product environmental compliance?

Email productcompliance@molex.com
 For a multiple part number RoHS Certificate of Compliance, [click here](#)

Please visit the [Contact Us](#) section for any non-product compliance questions.

Search Parts in this Series

[52559Series](#)

Sales Drawing

RPS-52559-032, RPS-52559-034, RPS-52559-035,
RPS-52559-038, RPS-52559-040, RPS-52559-041,
RPS-52559-043, RPS-52559-045, RPS-52559-056,
RPS-52559-058, RPS-52559-060, RPS-52559-063
SD-52559-**92, SD-52559-044

This document was generated on 02/02/2010

PLEASE CHECK WWW.MOLEX.COM FOR LATEST PART INFORMATION