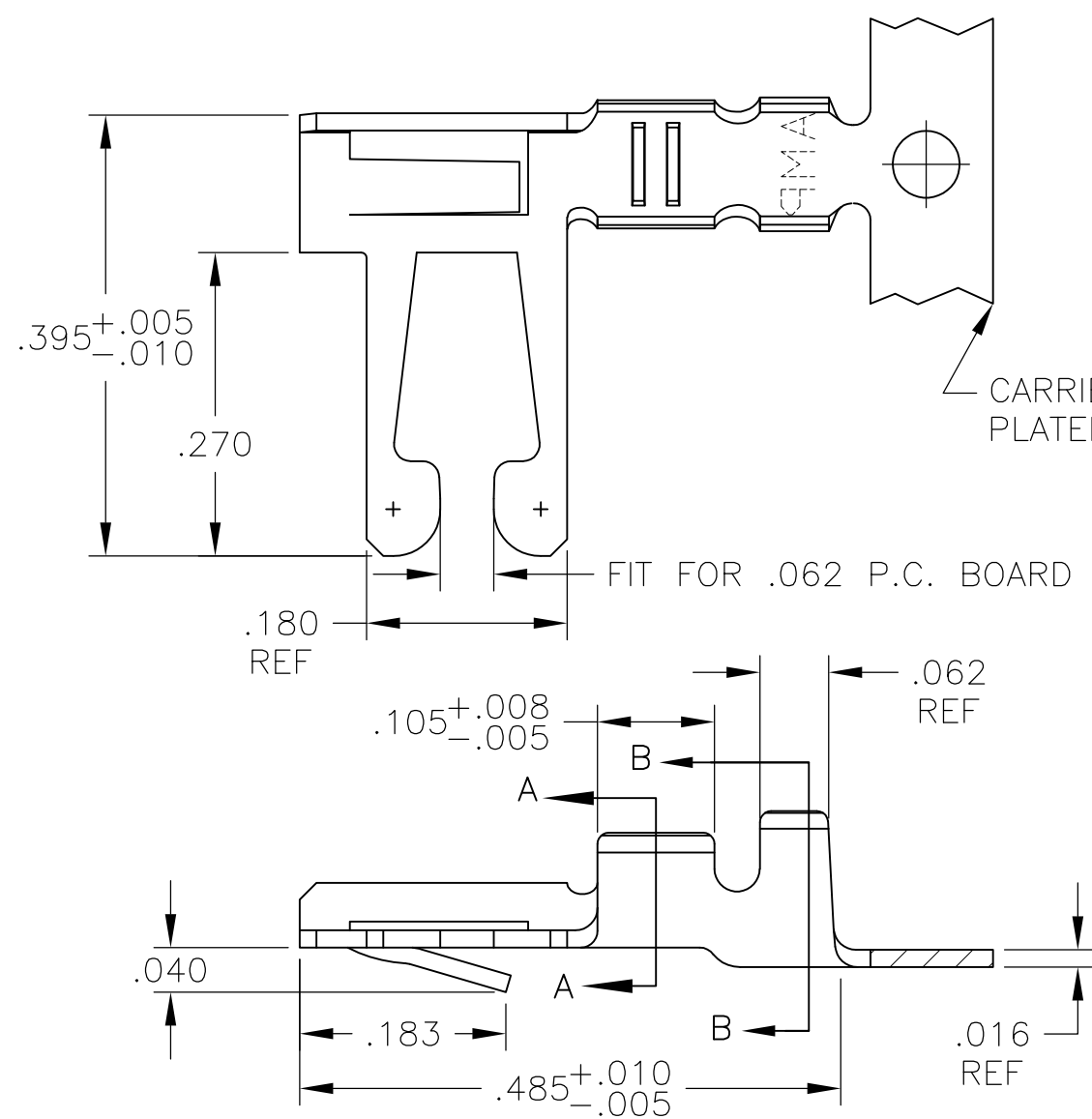
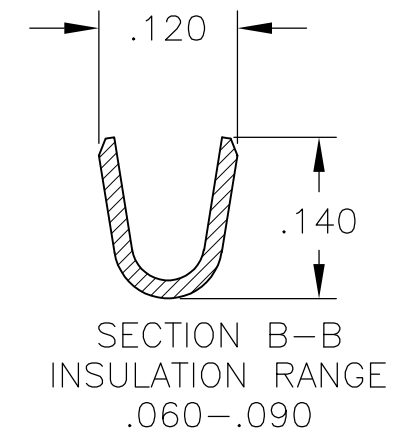
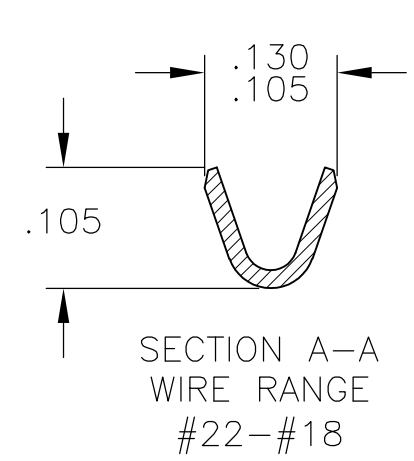


THIS DRAWING IS UNPUBLISHED. RELEASED FOR PUBLICATION
 © COPYRIGHT BY TYCO ELECTRONICS CORPORATION. ALL RIGHTS RESERVED.

LOC	DIST	REVISIONS			
P	LTR	DESCRIPTION	DATE	DWN	APVD
AD	00	H	ECO 05 006319	22MAY06	BSV MK
		H1	REV PER ECO-09-021510	10SEP09	KK AEG



- REFER TO CUSTOMER 582370 SERIES AND CUSTOMER 582380 SERIES FOR HOUSING AND P.C. BOARD REQUIREMENTS
- $\triangle 2$.000015 GOLD OVER .000050 NICKEL IN CONTACT AREA. REMAINDER OF CONTACT .000050 NICKEL.
- $\triangle 3$.000030 GOLD OVER .000050 NICKEL IN CONTACT AREA. .000050 NICKEL ON REMAINDER OF CONTACT.
- $\triangle 4$ L-R FEED FOR MINI-APPL.
- $\triangle 5$ OBSOLETE PARTS: OBSOLETE CIS STREAMLINING PER D.RENAUD/D.SINISI



$\triangle 5$	OBSOLETE	MATTE TIN	$\triangle 4$	5-530006-5
		MATTE TIN	$\triangle 4$	5-530006-2
$\triangle 5$	OBSOLETE	$\triangle 2$	$\triangle 4$	530006-7
		$\triangle 3$	$\triangle 4$	530006-6
		$\triangle 3$	$\triangle 4$	530006-5
$\triangle 5$	OBSOLETE	$\triangle 2$		530006-4
		$\triangle 3$		530006-3
		$\triangle 3$		530006-2
		TIN PLATE		530006-2
		FINISH	PART NUMBER	

THIS DRAWING IS A CONTROLLED DOCUMENT.		DWN M.BINNER 29MAR01	Tyco Electronics Corporation Harrisburg, Pa 17105-3608		
DIMENSIONS: INCHES		CHK M.MILLER 05APR01	NAME CONTACT, 22-18 AWG, DUO-TYNE FLAG WITH TAPERED BEAMS		
TOLERANCES UNLESS OTHERWISE SPECIFIED:		APVD M.MILLER 05APR01	PRODUCT SPEC		
0 PLC ± - 1 PLC ± - 2 PLC ± - 3 PLC ± .005 4 PLC ± .0005 ANGLES ± -		APPLICATION SPEC		RESTRICTED TO	
MATERIAL BERYLLIUM COPPER	FINISH SEE TABLE	WEIGHT -	SIZE A3	CAGE CODE 00779	DRAWING NO C-530006
CUSTOMER DRAWING			SCALE 6:1	SHEET 1 OF 1	REV H1