

PLEASE CHECK WWW.MOLEX.COM FOR LATEST PART INFORMATION

Part Number: [0877057911](#)
Status: **Active**
Description: 1.00mm (.039") Pitch DDR-II DIMM 240 Circuits Socket, Vertical, 1.8 Voltage, 2.54mm (.100") Tail Length, Black Latches, Nylon 4/6 Glass-filled, Black Housing, Gold (Au) Flash, with Plastic Peg, Lead Free

Documents:

3D Model	Product Specification PS-87705-802 (PDF)
Drawing (PDF)	RoHS Certificate of Compliance (PDF)
Product Specification PS-87705-801 (PDF)	

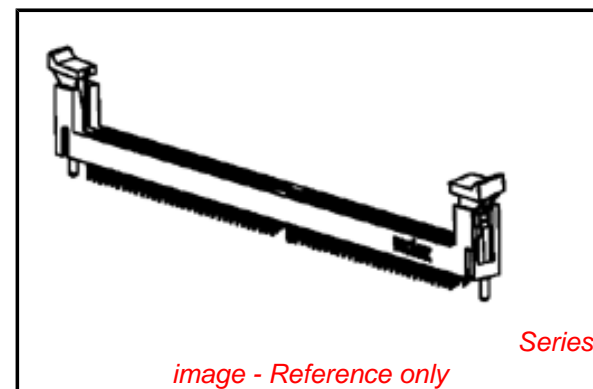


image - Reference only

Agency Certification

CSA	LR19980
UL	E29179

General

Product Family	Memory Module Sockets
Series	87705
Comments	Black Latches
Component Type	Socket
JEDEC Outline	MO-237
Product Name	DDR2 DIMM

Physical

Circuits (Loaded)	240
Durability (mating cycles max)	25
Entry Angle	Vertical (Top Entry)
Flammability	94V-0
Keying to Mating Part	Yes
Material - Plating Mating	Gold
PC Tail Length (in)	0.100 In
PC Tail Length (mm)	2.54 mm
PCB Retention	Yes
PCB Thickness Recommended (in)	0.062 In
PCB Thickness Recommended (mm)	1.60 mm
Packaging Type	Tray
Pitch - Mating Interface (in)	0.039 In
Pitch - Mating Interface (mm)	1.00 mm
Temperature Range - Operating	-10°C to +85°C
Termination Interface: Style	Through Hole

Electrical

Current - Maximum per Contact	0.5A
Voltage - Maximum	30V
Voltage Key	1.8V, Center

Material Info

Reference - Drawing Numbers

Product Specification	PS-87705-801, PS-87705-802
Sales Drawing	SD-87705-802

EU RoHS

**ELV and RoHS
Compliant**
REACH SVHC
 Not Reviewed
**Halogen-Free
Status**
Not Reviewed

China RoHS



**Need more information on product
environmental compliance?**

Email productcompliance@molex.com
 For a multiple part number RoHS Certificate of Compliance, [click here](#)

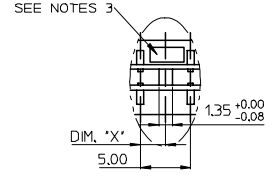
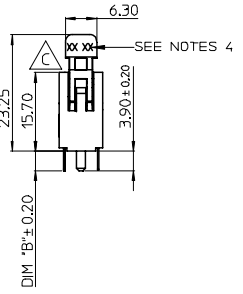
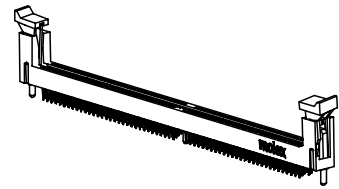
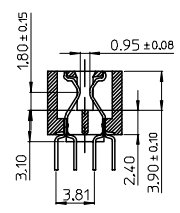
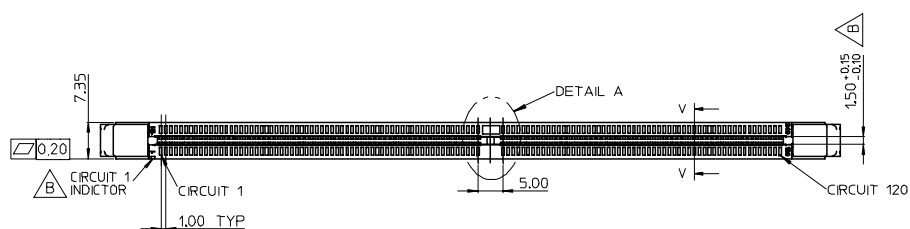
Please visit the [Contact Us](#) section for any non-product compliance questions.

Search Parts in this Series

[87705Series](#)

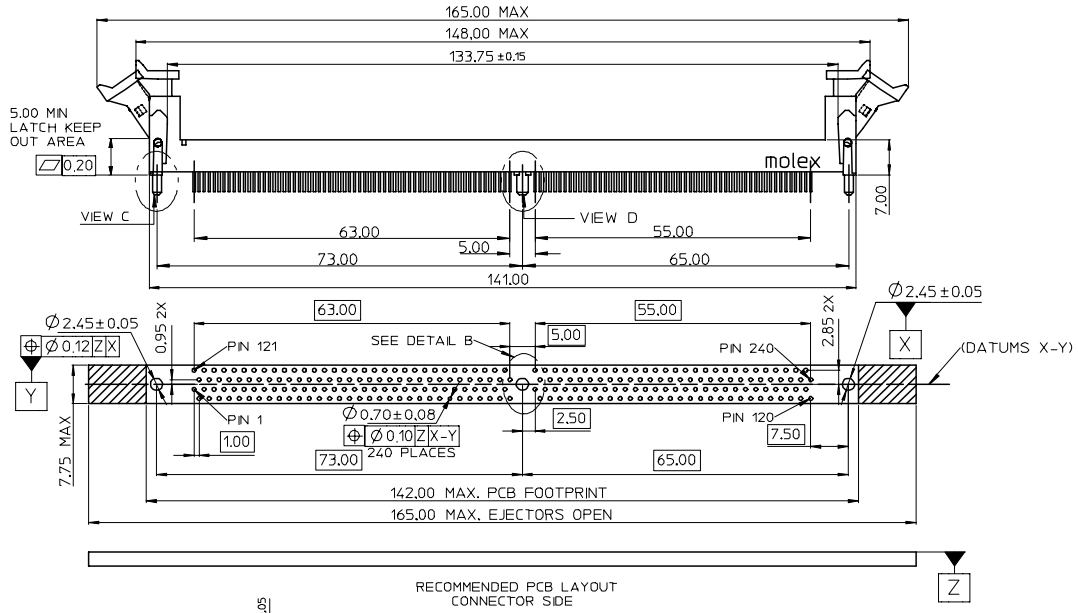
Mates With

JEDEC standard 1.27mm modules

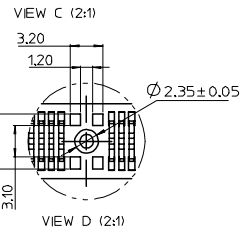
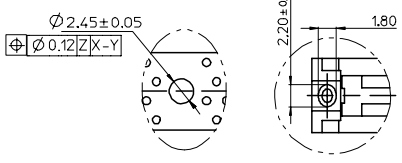


KEY LOCATION	VOLTAGE	DM.'X'
LEFT	2.5V	1.50
CENTER	1.8V	2.50

- NOTES:
 1.MATERIAL:
 HOUSING:SEE TABLE ,GLASS FIBER FILLED UL94V-0,COLOR:SEE TABLE,
 LATCH:NYLON, GLASS FIBER FILLED UL94V-0,COLOR:SEE TABLE,
 TERMINAL:SEE TABLE
 2.PLATING:
 TERMINAL:
 CONTACT AREA:SEE TABLE.
 SOLDER TAL:SEE TABLE.
 UNDER PLATING:SEE TABLE.
 3.VOLTAGE:SEE TABLE
 4.DATE CODE=XXXXYYWW
 5.PRODUCT SPECIFICATION REFER TO PS-87705-801.
 6.PACKAGING SPECIFICATION REFER TO PK-87705-802.
 7.TEST SUMMARY:REFER TO TS-87705-801.
 8.LEAD FREE AND ROHS COMPLIANT PRODUCT.



RECOMMENDED PCB LAYOUT
CONNECTOR SIDE



EWR 2005-0087 /0111 / 0079 EC NO: SH2007-0145 DRWN: BKANG 2006/11/22 CHKD: 2006/11/24 APPR: WWSCHANG 2006/11/24	QUALITY SYMBOLS ▽=0 ∇=0	GENERAL TOLERANCES (UNLESS SPECIFIED)		DIMENSION STYLE MM ONLY		SCALE	DESIGN UNITS METRIC	THIRD ANGLE PROJECTION	
			mm	INCH	DRAWN BY TOM	DATE 2004/07/25	TITLE 1.0MM PITCH DDR II 240 CKT WITH PLASTIC PEG	MOLEX INCORPORATED DOCUMENT NO. SD-87705-802 SHEET NO. 1 OF 4	
		4 PLACES ± --- ± ---	3 PLACES ± --- ± ---	2 PLACES ± 0.25 ± ---	1 PLACE ± 0.25 ± ---	ANGULAR ± 3 °	APPROVED BY WWSCHANG		
REV	DESCRIPTION	DRAFT WHERE APPLICABLE MUST REMAIN WITHIN DIMENSIONS		SIZE A 4	THIS DRAWING CONTAINS INFORMATION THAT IS PROPRIETARY TO MOLEX INCORPORATED AND SHOULD NOT BE USED WITHOUT WRITTEN PERMISSION				

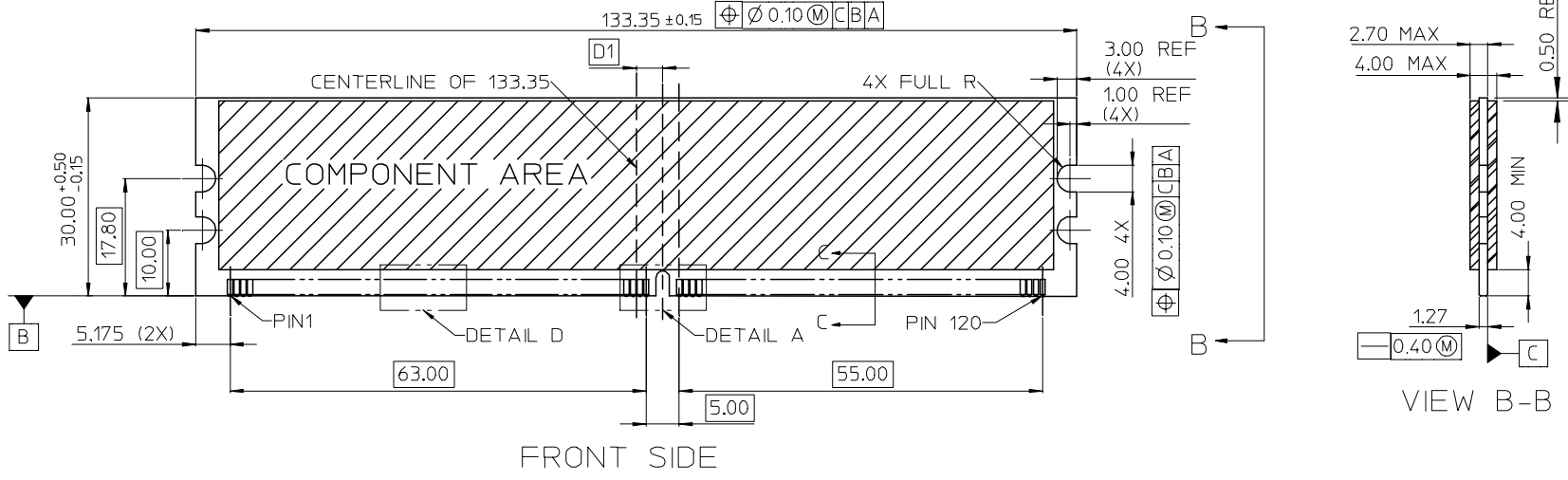
7 6 5 4 3 2 1

E

E

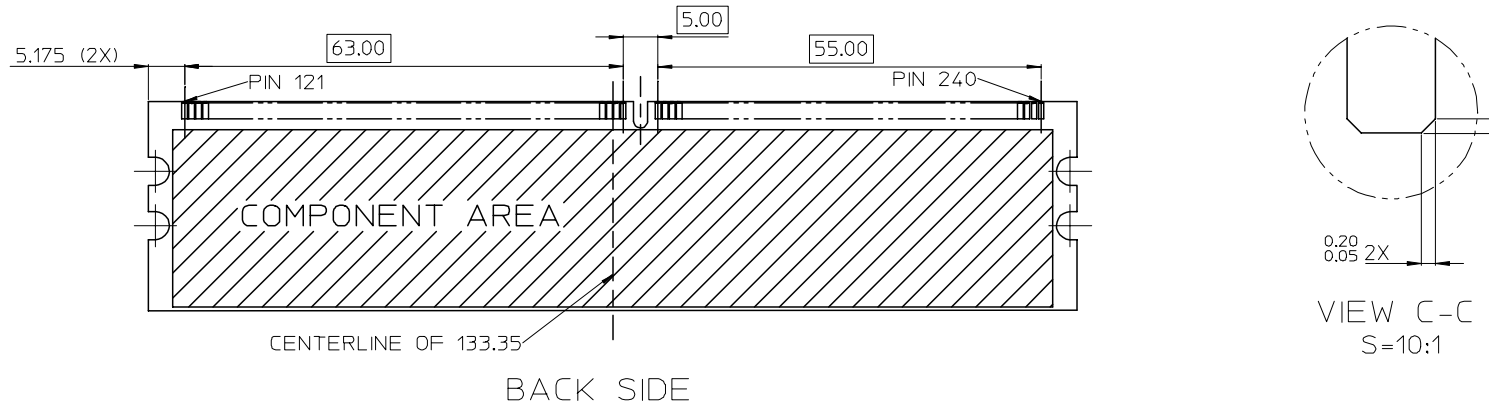
D

D



C

C



B

B

A

A

SEE SHEET 1 EC NO: SH2007-0145 DRWN: BKANG 2006/11/22 CHKD: 2006/11/24 APPR: WWSCHANG 2006/11/24	QUALITY SYMBOLS ▽=0 ∇=0	GENERAL TOLERANCES (UNLESS SPECIFIED)		DIMENSION STYLE MM ONLY		SCALE 1:1	DESIGN UNITS METRIC	THIRD ANGLE PROJECTION		
			mm	INCH	DRAWN BY TOM	DATE 2004/07/25	TITLE 1.0MM PITCH DDR II 240 CKT WITH PLASTIC PEG			
		4 PLACES	± ---	± ---	CHECKED BY ALL IN	DATE 2004/07/25	MOLEX INCORPORATED			
		3 PLACES	± ---	± ---	APPROVED BY WWSCHANG	DATE 2004/07/25	DOCUMENT NO. SD-87705-802	SHEET NO. 2 OF 4		
	2 PLACES	± 0.25	± ---	MATERIAL NO. SEE TABLE		THIS DRAWING CONTAINS INFORMATION THAT IS PROPRIETARY TO MOLEX INCORPORATED AND SHOULD NOT BE USED WITHOUT WRITTEN PERMISSION				
	1 PLACE	± 0.25	± ---	DRAFT WHERE APPLICABLE MUST REMAIN WITHIN DIMENSIONS						
	ANGULAR ± 3 °									

6

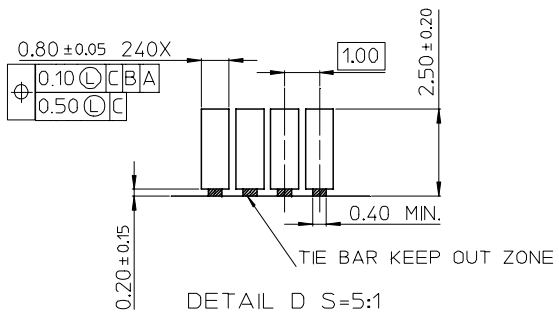
5

4

3

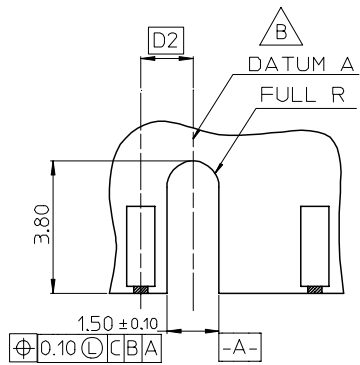
2

1

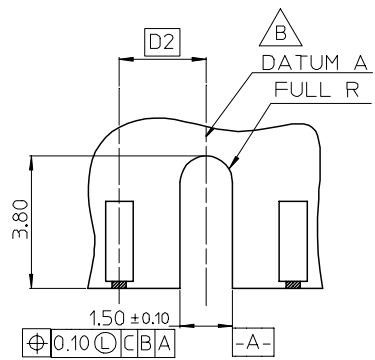


B VARIATIONS

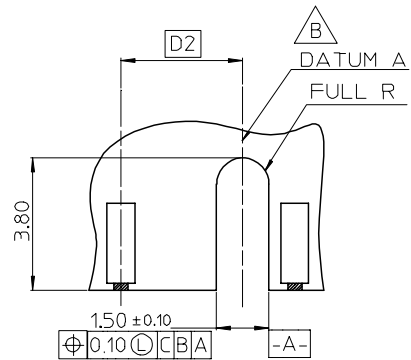
VAR SYMBOL	AA	AB	AC
D1	3.00 BASIC	4.00 BASIC	5.00 BASIC
D2	1.50 BASIC	2.50 BASIC	3.50 BASIC



B LEFT OFFSET KEYWAY REFER TO VARIATIONS (AA)



B CENTER KEYWAY REFER TO VARIATIONS (AB)



B RIGHT OFFSET KEYWAY REFER TO VARIATIONS (AC)

DETAIL A S=5:1
CENTER KEY ZONE

THIS DESIGN IS BASED ON DESIGN OBJECTIVES AND IS STRICTLY TENTATIVE. IT MAY CHANGE BASED ON RESULTS OF ADDITIONS DESIGN REVIEWS AND VERIFICATIONS

SEE SHEET 1 EC NO: SH2007-0145 DRWN: BKANG 2006/11/22 CHKD: 2006/11/24 APPR: WWSCHANG 2006/11/24	QUALITY SYMBOLS ▽ = 0 ◻ = 0	GENERAL TOLERANCES (UNLESS SPECIFIED) <table border="1"> <thead> <tr> <th></th> <th>mm</th> <th>INCH</th> </tr> </thead> <tbody> <tr> <td>4 PLACES</td> <td>± ---</td> <td>± ---</td> </tr> <tr> <td>3 PLACES</td> <td>± ---</td> <td>± ---</td> </tr> <tr> <td>2 PLACES</td> <td>± 0.25</td> <td>± ---</td> </tr> <tr> <td>1 PLACE</td> <td>± 0.25</td> <td>± ---</td> </tr> </tbody> </table>		mm	INCH	4 PLACES	± ---	± ---	3 PLACES	± ---	± ---	2 PLACES	± 0.25	± ---	1 PLACE	± 0.25	± ---	DIMENSION STYLE MM ONLY DRAWN BY: TOM DATE: 2004/07/25 CHECKED BY: ALL IN DATE: 2004/07/25 APPROVED BY: WWSCHANG DATE: 2004/07/25	SCALE: 1:1 DESIGN UNITS: METRIC THIRD ANGLE PROJECTION	TITLE: 1.0MM PITCH DDR II 240 CKT WITH PLASTIC PEG MOLEX MOLEX INCORPORATED MATERIAL NO. SEE TABLE DOCUMENT NO. SD-87705-802 SHEET NO. 3 OF 4
		mm	INCH																	
	4 PLACES	± ---	± ---																	
	3 PLACES	± ---	± ---																	
	2 PLACES	± 0.25	± ---																	
1 PLACE	± 0.25	± ---																		
DRAFT WHERE APPLICABLE MUST REMAIN WITHIN DIMENSIONS	SIZE: A 4 THIS DRAWING CONTAINS INFORMATION THAT IS PROPRIETARY TO MOLEX INCORPORATED AND SHOULD NOT BE USED WITHOUT WRITTEN PERMISSION																			

