

## ADP3308

### FEATURES

- ±1.2% Accuracy Over Line and Load Regulations @ 25°C
- Ultralow Dropout Voltage: 80 mV Typical @ 50 mA
- Requires Only C<sub>O</sub> = 0.47 μF for Stability
- anyCAP = Stable with All Types of Capacitors (Including MLCC)
- Current and Thermal Limiting
- Low Noise
- Low Shutdown Current: 1 μA
- 2.8 V to 12 V Supply Range
- 20°C to +85°C Ambient Temperature Range
- Several Fixed Voltage Options
- Ultrasmall SOT-23-5 Package
- Excellent Line and Load Regulations

### APPLICATIONS

- Cellular Telephones
- Notebook, Palmtop Computers
- Battery Powered Systems
- PCMCIA Regulator
- Bar Code Scanners
- Camcorders, Cameras

### GENERAL DESCRIPTION

The ADP3308 is a member of the ADP330x family of precision low dropout anyCAP voltage regulators. It is pin-for-pin and functionally compatible with National's LP2980, but offers performance advantages. The ADP3308 stands out from the conventional LDOs with a novel architecture and an enhanced process. Its patented design requires only a 0.47 μF output capacitor for stability. This device is stable with any type of capacitor regardless of its ESR (Equivalent Serial Resistance) value, including ceramic types for space restricted applications. The ADP3308 achieves ±1.2% accuracy at room temperature and ±2.2% overall accuracy over temperature, line and load regulations. The dropout voltage of the ADP3308 is only 80 mV (typical) at 50 mA. This device also includes a current limit and a shutdown feature. In shutdown mode, the ground current is reduced to ~1 μA.

The ADP3308 operates with a wide input voltage range from 2.8 V to 12 V and delivers a load current in excess of 100 mA. The ADP3308 anyCAP LDO offers a wide range of output voltages. For 100 mA version, refer to the ADP3309 data sheet.

### FUNCTIONAL BLOCK DIAGRAM

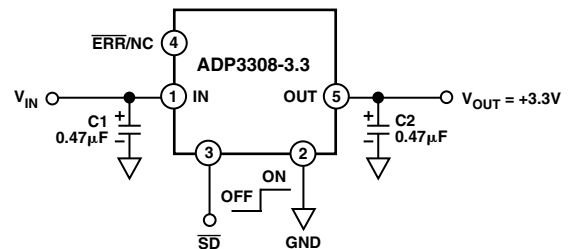
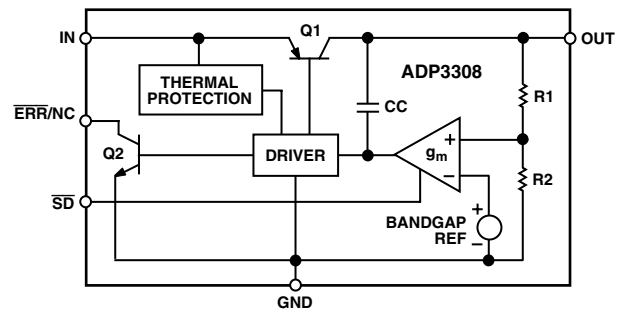


Figure 1. Typical Application Circuit

anyCAP is a registered trademark of Analog Devices, Inc.

### REV. B

Information furnished by Analog Devices is believed to be accurate and reliable. However, no responsibility is assumed by Analog Devices for its use, nor for any infringements of patents or other rights of third parties which may result from its use. No license is granted by implication or otherwise under any patent or patent rights of Analog Devices.

# ADP3308-xx—SPECIFICATIONS

(@  $T_A = -20^\circ\text{C}$  to  $+85^\circ\text{C}$ ,  $V_{IN} = 7\text{ V}$ ,  $C_{IN} = 0.47\ \mu\text{F}$ ,  $C_{OUT} = 0.47\ \mu\text{F}$ , unless otherwise noted.)<sup>1</sup> The following specifications apply to all voltage options.

Parameter	Symbol	Conditions	Min	Typ	Max	Unit
OUTPUT VOLTAGE ACCURACY	$V_{OUT}$	$V_{IN} = V_{OUTNOM} + 0.3\text{ V}$ to $12\text{ V}$ $I_L = 0.1\text{ mA}$ to $50\text{ mA}$ $T_A = 25^\circ\text{C}$	-1.2		+1.2	%
		$V_{IN} = V_{OUTNOM} + 0.3\text{ V}$ to $12\text{ V}$ $I_L = 0.1\text{ mA}$ to $50\text{ mA}$	-2.2		+2.2	%
LINE REGULATION	$\frac{\Delta V_O}{\Delta V_{IN}}$	$V_{IN} = V_{OUTNOM} + 0.3\text{ V}$ to $12\text{ V}$ $T_A = 25^\circ\text{C}$		0.02		mV/V
LOAD REGULATION	$\frac{\Delta V_O}{\Delta I_L}$	$I_L = 0.1\text{ mA}$ to $50\text{ mA}$ $T_A = 25^\circ\text{C}$		0.06		mV/mA
GROUND CURRENT	$I_{GND}$	$I_L = 50\text{ mA}$		0.54	1.4	mA
		$I_L = 0.1\text{ mA}$		0.19	0.3	mA
GROUND CURRENT IN DROPOUT	$I_{GND}$	$V_{IN} = 2.4\text{ V}$ $I_L = 0.1\text{ mA}$		0.9	1.7	mA
DROPOUT VOLTAGE	$V_{DROP}$	$V_{OUT} = 98\%$ of $V_{OUTNOM}$				
		$I_L = 50\text{ mA}$		0.08	0.17	V
		$I_L = 10\text{ mA}$		0.025	0.07	V
		$I_L = 1\text{ mA}$		0.004	0.030	V
SHUTDOWN THRESHOLD	$V_{THSD}$	ON	2.0	0.75		V
		OFF		0.75	0.3	V
SHUTDOWN PIN INPUT CURRENT	$I_{SDIN}$	$0 < V_{SD} \leq 5\text{ V}$			1	$\mu\text{A}$
		$5 < V_{SD} \leq 12\text{ V}$ @ $V_{IN} = 12\text{ V}$			9	$\mu\text{A}$
GROUND CURRENT IN SHUTDOWN MODE	$I_Q$	$V_{SD} = 0\text{ V}$ , $V_{IN} = 12\text{ V}$ $T_A = 25^\circ\text{C}$		0.005	1	$\mu\text{A}$
		$V_{SD} = 0\text{ V}$ , $V_{IN} = 12\text{ V}$ $T_A = 85^\circ\text{C}$		0.01	3	$\mu\text{A}$
OUTPUT CURRENT IN SHUTDOWN MODE	$I_{OSD}$	$T_A = 25^\circ\text{C}$ @ $V_{IN} = 12\text{ V}$			2	$\mu\text{A}$
		$T_A = 85^\circ\text{C}$ @ $V_{IN} = 12\text{ V}$			4	$\mu\text{A}$
ERROR PIN OUTPUT LEAKAGE	$I_{EL}$				13	$\mu\text{A}$
ERROR PIN OUTPUT “LOW” VOLTAGE	$V_{EOL}$	$I_{SINK} = 400\ \mu\text{A}$		0.12	0.3	V
PEAK LOAD CURRENT	$I_{LDPK}$	$V_{IN} = V_{OUTNOM} + 1\text{ V}$ , $T_A = 25^\circ\text{C}$		150		mA
OUTPUT NOISE @ 5 V OUTPUT	$V_{NOISE}$	$f = 10\text{ Hz}$ – $100\text{ kHz}$		100		$\mu\text{V rms}$

## NOTES

<sup>1</sup>Ambient temperature of  $85^\circ\text{C}$  corresponds to a junction temperature of  $125^\circ\text{C}$  under typical full load test conditions.

Specifications subject to change without notice.

### ABSOLUTE MAXIMUM RATINGS\*

Input Supply Voltage	−0.3 V to +16 V
Shutdown Input Voltage	−0.3 V to +16 V
Power Dissipation	Internally Limited
Operating Ambient Temperature Range	−55°C to +125°C
Operating Junction Temperature Range	−55°C to +125°C
θ <sub>JA</sub>	165°C/W
θ <sub>JC</sub>	92°C/W
Storage Temperature Range	−65°C to +150°C
Lead Temperature Range (Soldering 10 sec)	300°C
Vapor Phase (60 sec)	215°C
Infrared (15 sec)	220°C

\*This is a stress rating only; operation beyond these limits can cause the device to be permanently damaged.

### ORDERING GUIDE

Model	Voltage Output	Package Option*	Marking Code
ADP3308ART-2.5	2.5 V	SOT-23	LAC
ADP3308ART-2.7	2.7 V	SOT-23	DAC
ADP3308ART-2.85	2.85 V	SOT-23	DJC
ADP3308ART-2.9	2.9 V	SOT-23	DKC
ADP3308ART-3	3.0 V	SOT-23	DCC
ADP3308ART-3.3	3.3 V	SOT-23	DEC
ADP3308ART-3.6	3.6 V	SOT-23	DFC

\*SOT = Surface Mount.

Contact the factory for the availability of other output voltage options.

### Other Member of anyCAP Family<sup>1</sup>

Model	Output Current	Package Option <sup>2</sup>
ADP3309	100 mA	SOT-23-5 Lead

#### NOTES

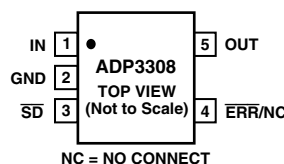
<sup>1</sup>See individual data sheet for detailed ordering information.

<sup>2</sup>SOT = Surface Mount.

### PIN FUNCTION DESCRIPTIONS

Pin	Name	Function
1	IN	Regulator Input.
2	GND	Ground Pin.
3	$\overline{SD}$	Active Low Shutdown Pin. Connect to ground to disable the regulator output. When shutdown is not used, this pin should be connected to the input pin.
4	$\overline{ERR/NC}$	Open Collector. Output that goes low to indicate the output is about to go out of regulation or no connect.
5	OUT	Output of the Regulator, fixed 2.5, 2.7, 2.85, 2.9, 3.0, 3.3, or 3.6 volts output voltage. Bypass to ground with a 0.47 $\mu$ F or larger capacitor.

### PIN CONFIGURATION

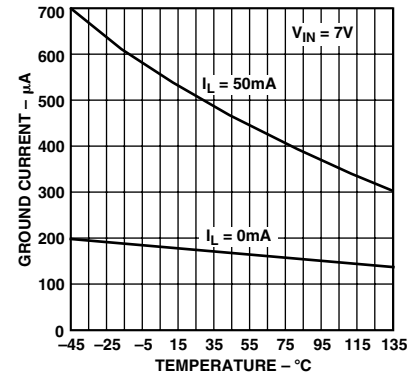
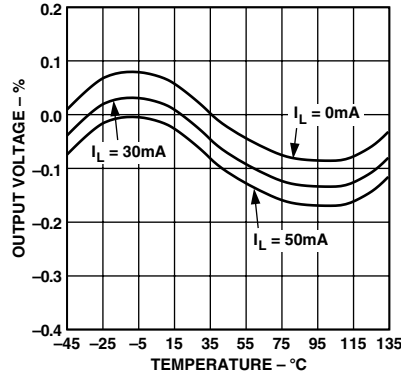
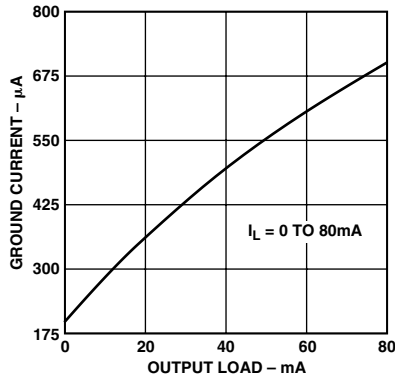
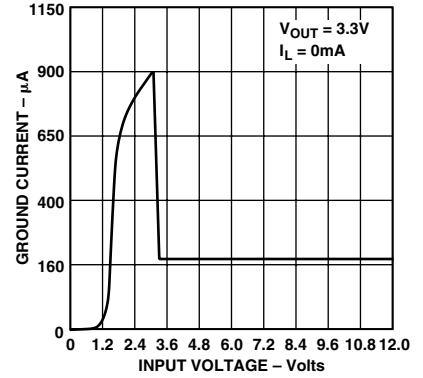
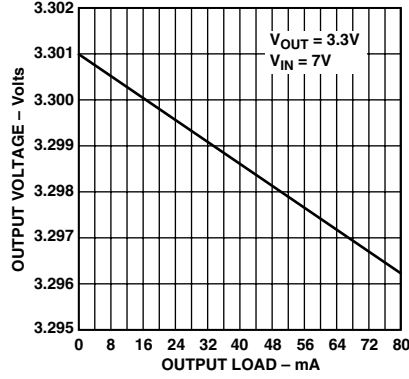
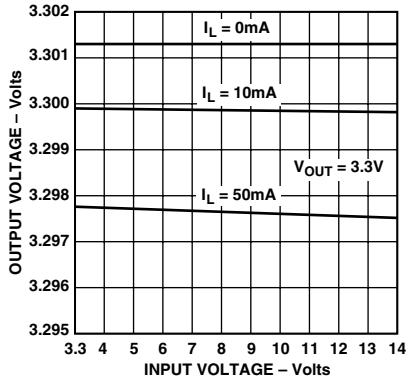


### CAUTION

ESD (electrostatic discharge) sensitive device. Electrostatic charges as high as 4000 V readily accumulate on the human body and test equipment and can discharge without detection. Although the ADP3308 features proprietary ESD protection circuitry, permanent damage may occur on devices subjected to high energy electrostatic discharges. Therefore, proper ESD precautions are recommended to avoid performance degradation or loss of functionality.



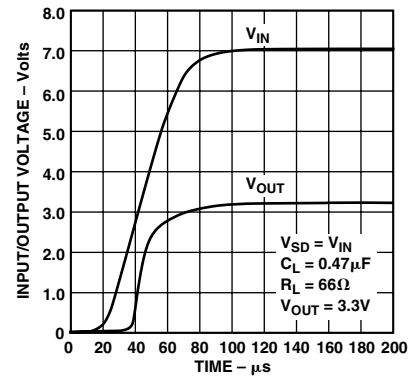
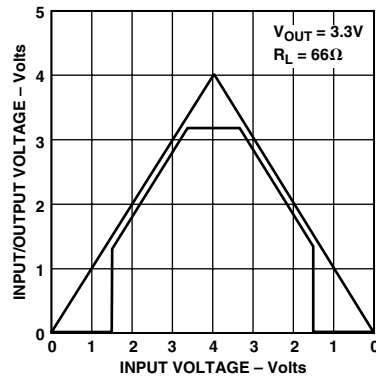
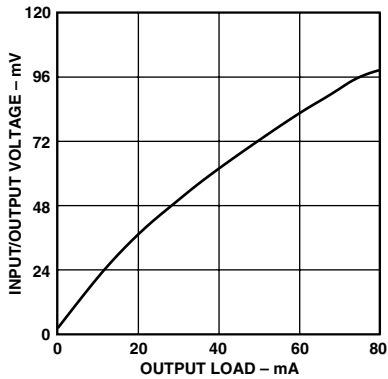
# ADP3308—Typical Performance Characteristics



TPC 4. Quiescent Current vs. Load Current

TPC 5. Output Voltage Variation % vs. Temperature

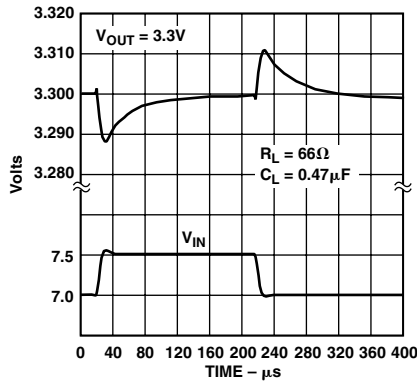
TPC 6. Quiescent Current vs. Temperature



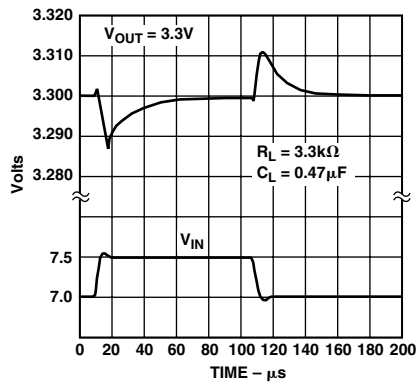
TPC 7. Dropout Voltage vs. Output Current

TPC 8. Power-Up/Power-Down

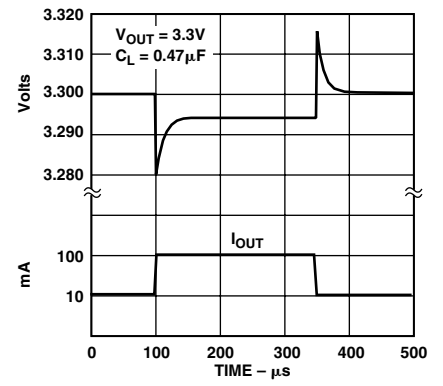
TPC 9. Power-Up Overshoot



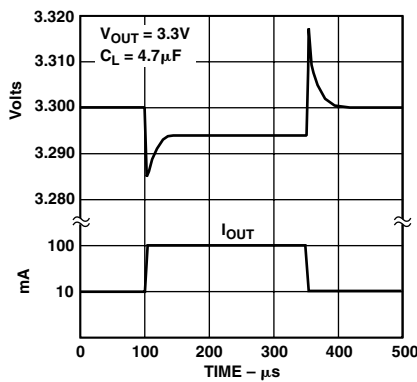
TPC 10. Line Transient Response



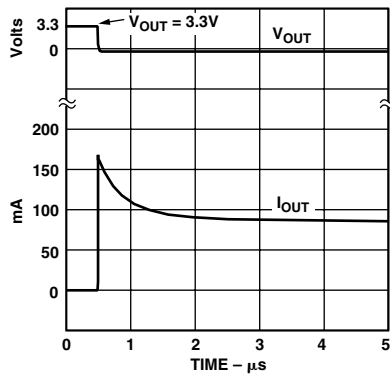
TPC 11. Line Transient Response



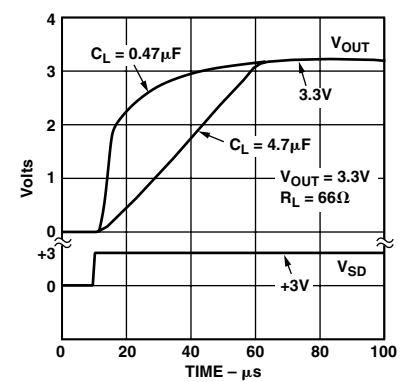
TPC 12. Load Transient



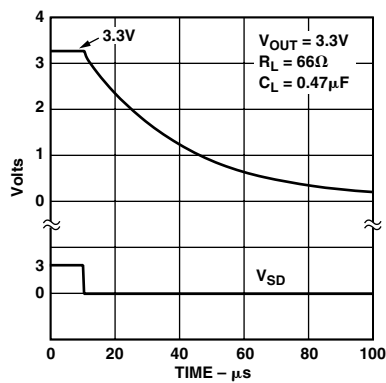
TPC 13. Load Transient



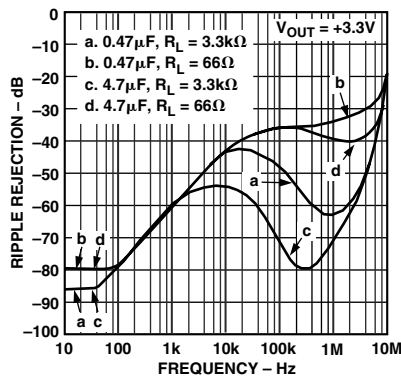
TPC 14. Short Circuit Current



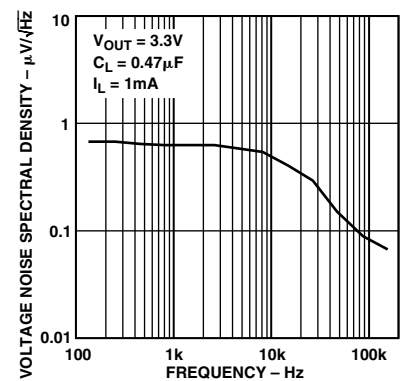
TPC 15. Turn On



TPC 16. Turn Off



TPC 17. Power Supply Ripple Rejection



TPC 18. Output Noise Density

# ADP3308

## THEORY OF OPERATION

The new anyCAP LDO ADP3308 uses a single control loop for regulation and reference functions. The output voltage is sensed by a resistive voltage divider consisting of R1 and R2, which is varied to provide the available output voltage option. Feedback is taken from this network by way of a series diode (D1) and a second resistor divider (R3 and R4) to the input of an amplifier.

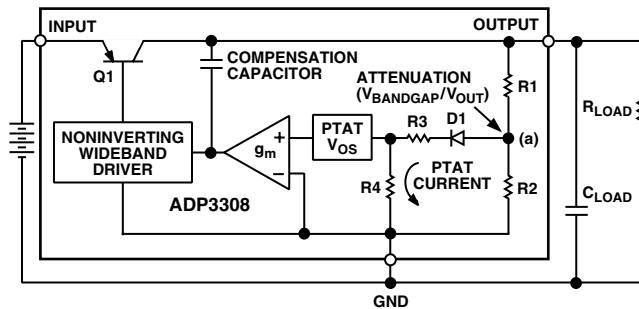


Figure 2. Functional Block Diagram

A very high gain error amplifier is used to control this loop. The amplifier is constructed in such a way that at equilibrium it produces a large, temperature proportional input “offset voltage” that is repeatable and very well controlled. The temperature proportional offset voltage is combined with the complementary diode voltage to form a “virtual bandgap” voltage, implicit in the network, although it never appears explicitly in the circuit. Ultimately, this patented design makes it possible to control the loop with only one amplifier. This technique also improves the noise characteristics of the amplifier by providing more flexibility on the tradeoff of noise sources that leads to a low noise design.

The R1, R2 divider is chosen in the same ratio as the bandgap voltage to the output voltage. Although the R1, R2 resistor divider is loaded by the diode D1 and a second divider consisting of R3 and R4, the values can be chosen to produce a temperature stable output. This unique arrangement specifically corrects for the loading of the divider so that the error resulting from base current loading in conventional circuits is avoided.

The patented amplifier controls a new and unique noninverting driver that drives the pass transistor, Q1. The use of this special noninverting driver enables the frequency compensation to include the load capacitor in a pole splitting arrangement to achieve reduced sensitivity to the value, type and ESR of the load capacitance.

Most LDOs place very strict requirements on the range of ESR values for the output capacitor because they are difficult to stabilize due to the uncertainty of load capacitance and resistance. Moreover, the ESR value required to keep conventional LDOs stable, changes, depending on load and temperature. These ESR limitations make designing with LDOs more difficult because of their unclear specifications and extreme variations over temperature.

This is no longer true with the ADP3308 anyCAP LDO. It can be used with virtually any capacitor, with no constraint on the minimum ESR. This innovative design allows the circuit to be stable with just a small 0.47  $\mu\text{F}$  capacitor on the output. Additional advantages of the design scheme include superior line noise rejection and very high regulator gain which leads to excellent line and load regulation. An impressive  $\pm 2.2\%$  accuracy is guaranteed over line, load and temperature.

Additional features of the circuit include current limit and thermal shutdown. Compared to the standard solutions that give warning after the output has lost regulation, the ADP3308 provides improved system performance by enabling the ERR pin to give warning before the device loses regulation.

As the chip’s temperature rises above 165°C, the circuit activates a soft thermal shutdown, indicated by a signal low on the  $\overline{\text{ERR}}$  pin, to reduce the current to a safe level.

## APPLICATION INFORMATION

### Capacitor Selection: anyCAP

**Output Capacitors:** as with any micropower device, output transient response is a function of the output capacitance. The ADP3308 is stable with a wide range of capacitor values, types and ESR (anyCAP). A capacitor as low as 0.47  $\mu\text{F}$  is all that is needed for stability. However, larger capacitors can be used if high output current surges are anticipated. The ADP3308 is stable with extremely low ESR capacitors ( $\text{ESR} \approx 0$ ), such as multilayer ceramic capacitors (MLCC) or OSCON.

**Input Bypass Capacitor:** an input bypass capacitor is not required. However, for applications where the input source is high impedance or far from the input pin, a bypass capacitor is recommended. Connecting a 0.47  $\mu\text{F}$  capacitor from the input pin (Pin 1) to ground reduces the circuit’s sensitivity to PC board layout. If a bigger output capacitor is used, the input capacitor must be 1  $\mu\text{F}$  minimum.

### Thermal Overload Protection

The ADP3308 is protected against damage due to excessive power dissipation by its thermal overload protection circuit which limits the die temperature to a maximum of 165°C. Under extreme conditions (i.e., high ambient temperature and power dissipation) where die temperature starts to rise above 165°C, the output current is reduced until the die temperature has dropped to a safe level. The output current is restored when the die temperature is reduced.

Current and thermal limit protections are intended to protect the device against accidental overload conditions. For normal operation, device power dissipation should be externally limited so that junction temperatures will not exceed 125°C.

### Calculating Junction Temperature

Device power dissipation is calculated as follows:

$$P_D = (V_{IN} - V_{OUT}) I_{LOAD} + (V_{IN}) I_{GND}$$

Where  $I_{LOAD}$  and  $I_{GND}$  are load current and ground current,  $V_{IN}$  and  $V_{OUT}$  are input and output voltages respectively.

Assuming  $I_{LOAD} = 50 \text{ mA}$ ,  $I_{GND} = 2 \text{ mA}$ ,  $V_{IN} = 5.5 \text{ V}$  and  $V_{OUT} = 2.7 \text{ V}$ , device power dissipation is:

$$P_D = (5.5 - 2.7) 50 \text{ mA} + 5.5 \times 2 \text{ mA} = 151 \text{ mW}$$

$$\Delta T = T_J - T_A = P_D \times \theta_{JA} = 151 \times 165 = 24.9^\circ\text{C}$$

With a maximum junction temperature of 125°C, this yields a maximum ambient temperature of  $\sim 100^\circ\text{C}$ .

### Printed Circuit Board Layout Consideration

Surface mount components rely on the conductive traces or pads to transfer heat away from the device. Appropriate PC board layout techniques should be used to remove heat from the immediate vicinity of the package.

The following general guidelines will be helpful when designing a board layout:

1. PC board traces with larger cross section areas will remove more heat. For optimum results, use PC boards with thicker copper and or wider traces.
2. Increase the surface area exposed to open air so heat can be removed by convection or forced air flow.
3. Do not use solder mask or silk screen on the heat dissipating traces because it will increase the junction to ambient thermal resistance of the package.

### Shutdown Mode

Applying a TTL high signal to the shutdown pin or tying it to the input pin will turn the output ON. Pulling the shutdown pin down to a TTL low signal or tying it to ground will turn the output OFF. In shutdown mode, quiescent current is reduced to less than 1  $\mu$ A.

## APPLICATION CIRCUITS

### Crossover Switch

The circuit in Figure 3 shows that two ADP3308s can be used to form a mixed supply voltage system. The output switches between two different levels selected by an external digital input. Output voltages can be any combination of voltages from the Ordering Guide of the data sheet.

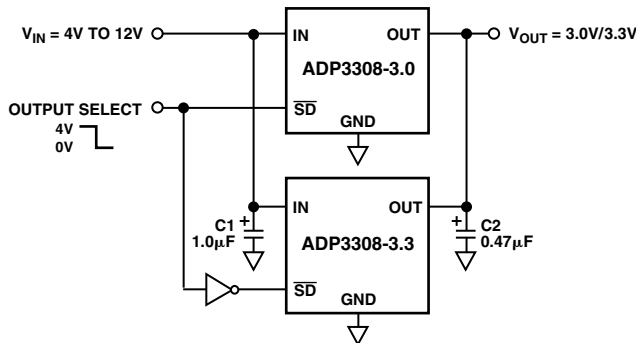


Figure 3. Crossover Switch

### Higher Output Current

The ADP3308 can source up to 50 mA without any heatsink or pass transistor. If higher current is needed, an appropriate pass transistor can be used, as in Figure 4, to increase the output current to 1 A.

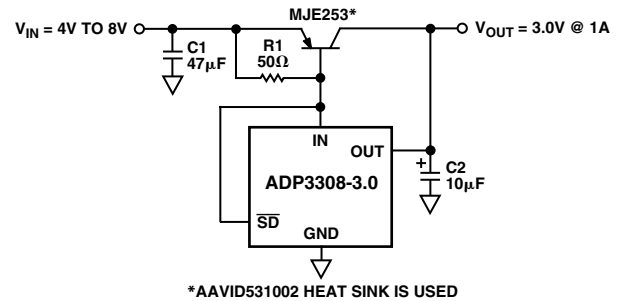


Figure 4. Higher Output Current Linear Regulator

### Constant Dropout Post Regulator

The circuit in Figure 5 provides high precision with low dropout for any regulated output voltage. It significantly reduces the ripple from a switching regulator while providing a constant dropout voltage, which limits the power dissipation of the LDO to 30 mW. The ADP3000 used in this circuit is a switching regulator in the step-up configuration.

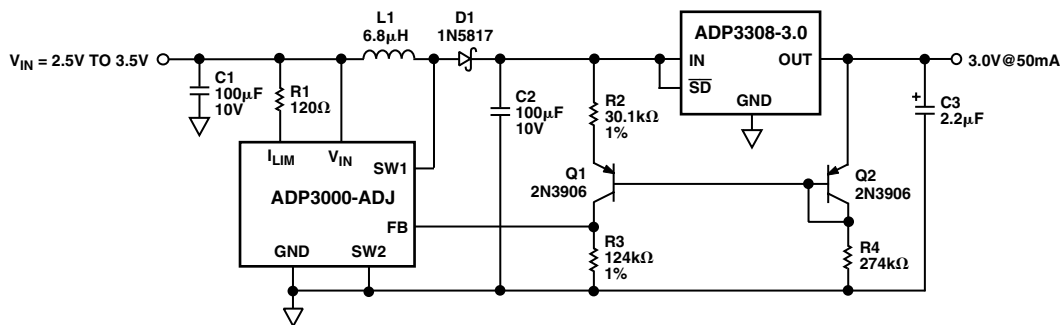


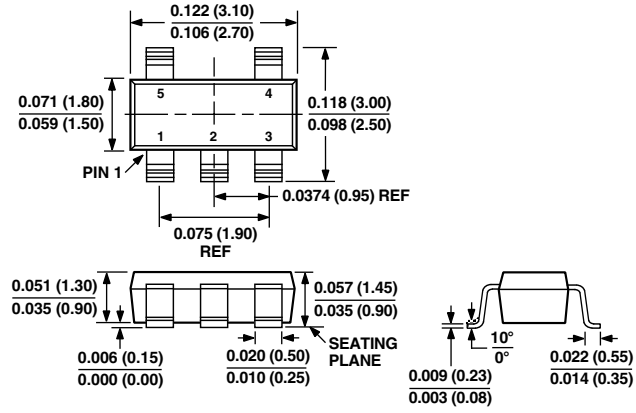
Figure 5. Constant Dropout Post Regulator

# ADP3308

## OUTLINE DIMENSIONS

Dimensions shown in inches and (mm).

### 5-Lead Surface Mount Package (SOT-23)



C00140b-5-12/00 (rev. B)

PRINTED IN U.S.A.