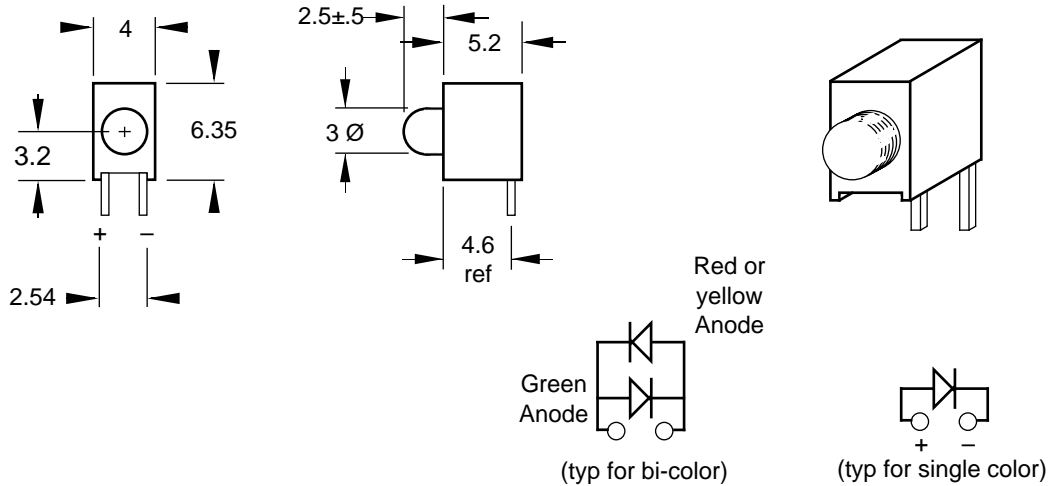


# T-1, (3-mm) Round, PCB Mount, Low Current Right Angle Indicator, J60B Series



The J60B is a T-1 size right-angle indicator suitable as logic status, position, or fault indication. The J60B allows denser packaging where space is a premium and can be CMOS driven to save components. The J60B has the lamp located at 3.2mm, (.125") above the PCB. The J60B series can be supplied with pinout reversed from that shown by adding "-RL" to the order code..



Specify part desired as follows:

J60B/Order Code

For example: "J60B/G" designates an assembly with a standard diffused green LED.  
"J60B/G-RL" designates the same assembly with pins reversed.

## ORDER CODE AND INFORMATION (ALL RATINGS AT 25°C AMBIENT)

LED Lamp			Typical Characteristics				Recom. Op. If (mA)
Epoxy & Type	Color	Order Code	Peak $\lambda$ (nm)	Vf (V) @ If=2mA	Iv (mcd) @ If=2mA	$2\Theta_{1/2}$ (Deg)	
Tinted Diffused	Red	I	639	1.8	4.0	50	2 - 10
	Green	G	574	1.9	2.5	55	2 - 10
	Yellow	Y	591	1.85	4.0	45	2 - 10

\* Specifications subject to change without notice. Dimensions are in mm±0.25 unless stated otherwise.