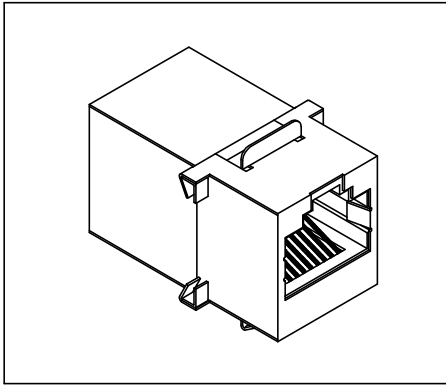


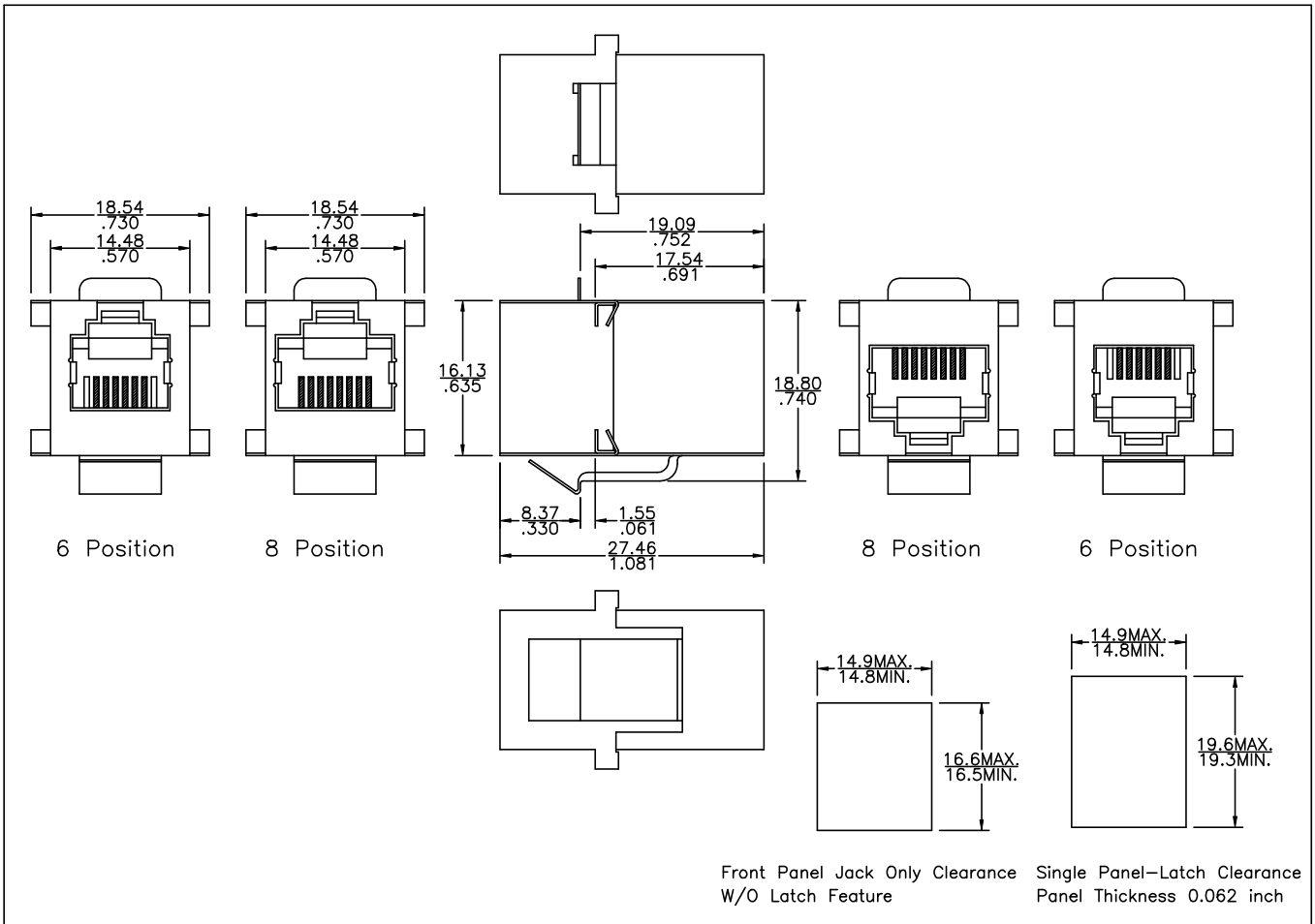
Modular Coupler Jack (Shielded)

3101S Series



Material and Finish:

- * Housing: Standard Material: Glass Filled Polyester UL94V-0.
Standard Color: Black.
- * Contact: 0.35mm(0.014") Thickness Phosphor Bronze.
Gold Plating over Nickel.
- * Shielded: Stainless Steel.
- * Cavity confirms to FCC rules and regulations part 68,
subpart F.



Ordering Information

Series No.	No. of Position	No. of Contact	Keyed	Contact Plating	Color Option
3101S	8	8	2	1	1
	6	2	w/o key [2]	6μ" [1]	Black [1] White [2]
	8	4		15μ" [2]	Ivory [3] Gray [4]
	10	6		30μ" [3]	Yellow [5] Red [6]
		8		50μ" [4]	Green [7] Blue [8]
		10			

SINGATRON U.S.A. Tel: (909)464-1883 Fax: (909)464-1884 Email: sales@singatron.com