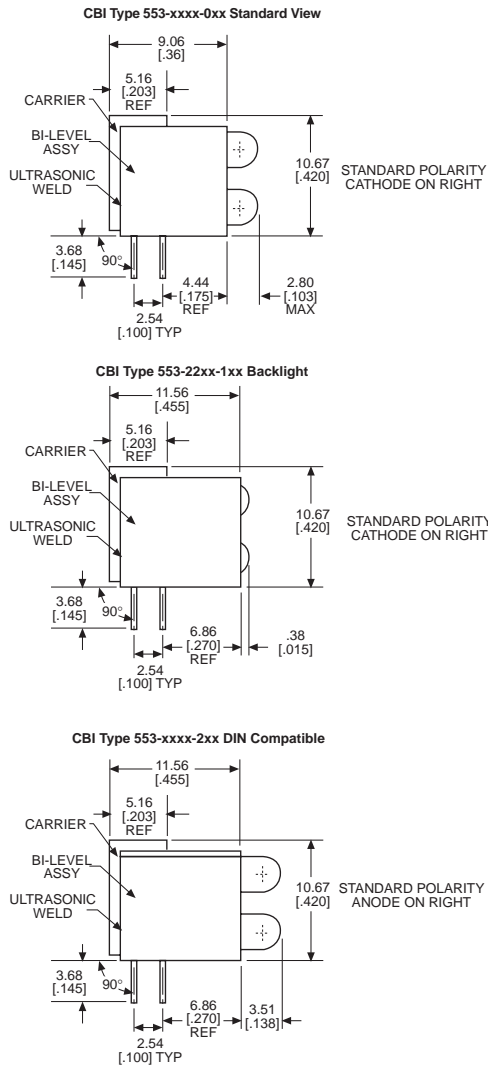




# 3mm LED CBI Circuit Board Indicator Ganged Arrays

# Dialight

## 553-xxxx-xxx

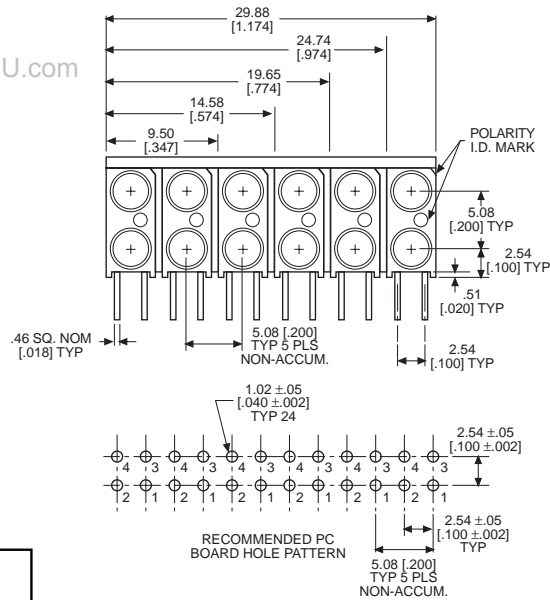


### Features

- 2 through 12 LEDs
- Mount on .200 center lines
- Standard View: 553-xxxx-0xx compatible with: 553-xxxx single bi-level
- Backlight: 553-22xx-1xx compatible with: 553-22xx-100 single backlighting bi-level
- DIN Compatible: 553-xxxx-2xx compatible with: 553-xxxx-200 single DIN41494 bi-level
- Reduces insertion labor cost
- Welded angle bracket construction assures rigidity
- Carrier and housing material meets UL 94 V-0

### Custom Combinations

- Consult factory for color or LED variations
- Narrow .185 mounting pitches available, consult factory



Standard Polarity Shown in Above Drawings

**PART NUMBER ORDERING CODE**

LED Type	Top LED Color	Bottom LED Color
01 - High Efficiency		
02 - Low Current, 2mA		
03 - Integral Resistor, 5V		
07 - Bi-color		
22 - Non-diffused		
Series	CBI Type	# of Positions 2-6
	0 - Standard View	
	1 - Backlight	
	2 - DIN 41494 Compatible	

**5 5 3 - x x x x - x x x**

**Polarity Option**

0) Standard Polarity	1) Reverse Polarity
Cathode Right Standard View	Cathode Left Standard View
Cathode Right Backlight	Cathode Left Backlight
Anode Right DIN Compatible	Anode Left DIN Compatible

Colors: 0) Blank 1) Red or Red/Green Bi-Color 2) Green 3) Yellow 4) Yellow/Green Bi-Color 7) Orange



**CLICK HERE**

To Construct Custom Color Combinations of This Part

**Standard View**

**Backlight**

**DIN 41494 Compatible**

## 553-XXXX-XXX

Typical Operating Characteristics ( $T_A = 25^\circ\text{C}$ )

## STANDARD VIEW

Part Number	Color	Peak Wavelength nm	I <sub>v</sub> mcd	V <sub>F</sub> Volts	Test Current (mA)	Viewing Angle 2 $\Theta_{1/2}$	LED Data sheet	Page #
553-0111-0xx	Red	650	10	2	10	45°	521-9427	4-63
553-0122-0xx	Green	563	16	2.1	10	45°	521-9408	4-63
553-0133-0xx	Yellow	585	6.3	2.1	10	45°	521-9428	4-63
553-0177-0xx	Orange	600	6.5	2.2	10	60°	521-9498	4-53
553-0211-0xx	Red	635	1.8	1.8	2	50°	521-9324	4-55
553-0222-0xx	Green	565	1.6	1.8	2	50°	521-9326	4-55
553-0233-0xx	Yellow	583	1.6	1.9	2	50°	521-9325	4-55
553-0311-0xx	Red	635	4	5†	10††	60°	521-9215	4-54
553-0322-0xx	Green	565	8	5†	12††	60°	521-9323	4-54
553-0333-0xx	Yellow	583	8	5†	10††	60°	521-9322	4-54
553-0711-0xx	Red/Green	635/565	5	2	10	50°	521-9459	4-58
553-0744-0xx	Yellow/Green	585/565	4.3/6.3	2.1*/2.1*	10	80°	521-9478	4-57
553-2211-0xx	Red	635	12	2.2	10	45°	521-9432	4-56
553-2222-0xx	Green	565	12	2.3	10	45°	521-9430	4-56
553-2233-0xx	Yellow	583	12	2.2	10	45°	521-9431	4-56

\* I<sub>F</sub> = 20mA † Test Voltage †† Forward Current mA

## BACKLIGHT

Part Number	Color*	Peak Wavelength nm	I <sub>v</sub> mcd	V <sub>F</sub> Volts	Test Current (mA)	Viewing Angle 2 $\Theta_{1/2}$	LED Data sheet	Page #
553-2211-1xx	Red-Red	635/635	12/12	2.2/2.2	10	45°	521-9432	4-56
553-2222-1xx	Green-Green	565/565	12/12	2.3/2.3	10	45°	521-9430	4-56
553-2223-1xx	Green-Yellow	565/583	12/12	2.3/2.2	10	45°	521-9430/-9431	4-56
553-2232-1xx	Yellow-Green	583/565	12/12	2.2/2.3	10	45°	521-9431/-9430	4-56
553-2233-1xx	Yellow-Yellow	583/583	12/12	2.2/2.2	10	45°	521-9431	4-56

\* Top-Bottom LED

## DIN COMPATIBLE

Part Number	Color	Peak Wavelength nm	I <sub>v</sub> mcd	V <sub>F</sub> Volts	Test Current (mA)	Viewing Angle 2 $\Theta_{1/2}$	LED Data sheet	Page #
553-0111-2xx	Red	635	10	2*	10	60°	521-9216	4-53
553-0122-2xx	Green	565	12.6	2.1*	10	60°	521-9210	4-53
553-0133-2xx	Yellow	583	10	2.2	10	60°	521-9211	4-53
553-0177-2xx	Orange	600	7	2.2*	10	60°	521-9498	4-53
553-0211-2xx	Red	635	1.8	1.8	2	50°	521-9324	4-55
553-0222-2xx	Green	565	1.6	1.8	2	50°	521-9326	4-55
553-0233-2xx	Yellow	583	1.6	1.9	2	50°	521-9325	4-55
553-0311-2xx	Red	635	4	5†	10†	60°	521-9215	4-54
553-0322-2xx	Green	565	8	5†	12†	60°	521-9323	4-54
553-0333-2xx	Yellow	583	8	5†	10†	60°	521-9322	4-54
553-0711-2xx	Red/Green	635/565	5	2	10	50°	521-9459	4-58
553-0744-2xx	Yellow/Green	585/565	4.3/6.3	2.1*/2.1*	10	80°	521-9478	4-57
553-2211-2xx	Red	635	12	2.2	10	45°	521-9432	4-56
553-2222-2xx	Green	565	12	2.3	10	45°	521-9430	4-56
553-2233-2xx	Yellow	583	12	2.2	10	45°	521-9431	4-56

\* I<sub>F</sub> = 20mA † Test Voltage †† Forward Current mA

www.DataSheet4U.com