

# AC-162D

•16 Charsx2 Line 1/16 Duty

## FEATURE

液晶之友 电话: 020-33819057  
[Http://www.lcdfriends.com](http://www.lcdfriends.com)

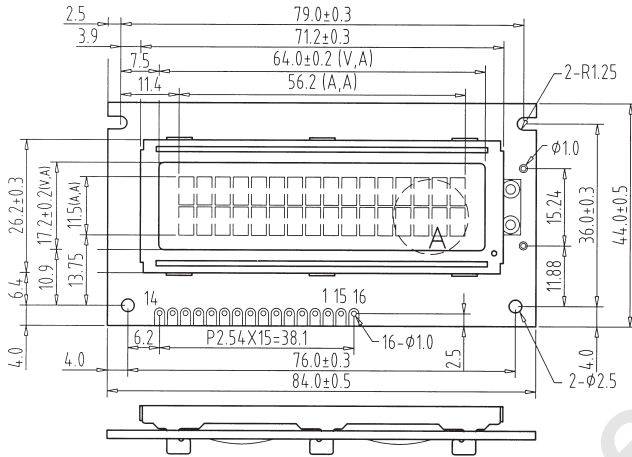
- 1.Construction : TN / STN LCD panel, Bezel, Zebra and PCB.
- 2.Optional Array LED or EL back-light,yellow,green,blue,white light LED available.
- 3.Controller : KS0066U or Equivalent.
- 4.5V or 3.3V single power input. Built-in DC/DC converter while using 3.3V power input.
- 5.Normal / Extended temperature type.

## ELECTRICAL CHARACTERISTICS

Item	Sym.	Condition	Typ.Value	Unit.
LCD Driving Voltage	VDD-V0	25°C	5.0	V
Supply Current	IDD	VDD=5.0V	1.0	mA

## INTERFACE

1	2	3	4	5	6	7	8	9	10	11	12	13	14	15	16
VSS	VDD	V0	RS	R/W	E	DB0	DB1	DB2	DB3	DB4	DB5	DB6	DB7	A/EL1	K/EL2



### THICKNESS:

VERSION	T1	T2
EL&NO BACKLIGHT	4.9 ± 0.3	10.0Max
EDGE BACK LIGHT	6.0 ± 0.3	11.0Max
LED BACK LIGHT	9.4 ± 0.3	14.5Max

# AC-162E

•16 Charsx2 Line 1/16 Duty

## FEATURE

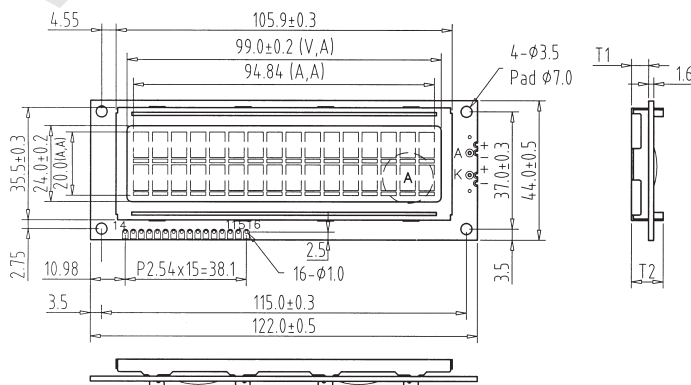
- 1.Construction : HTN / STN LCD panel, Bezel, Zebra and PCB.
- 2.Optional LED or EL back-light,white edge LED available.
- 3.Controller : KS0066U or Equivalent.
- 4.5V or 3.3V single power input. Built-in DC/DC converter while using 3.3V power input.
- 5.Normal / Extended temperature type.

## ELECTRICAL CHARACTERISTICS

Item	Sym.	Condition	Typ.Value	Unit.
LCD Driving Voltage	VDD-V0	25°C	5.0	V
Supply Current	IDD	VDD=5.0V	1.5	mA

## INTERFACE

1	2	3	4	5	6	7	8	9	10	11	12	13	14	15	16
VSS	VDD	V0	RS	R/W	E	DB0	DB1	DB2	DB3	DB4	DB5	DB6	DB7	A/EL1	K/EL2



### THICKNESS:

VERSION	T1	T2
EL&NO BACKLIGHT	5.4 ± 0.3	10.5Max
LED BACK LIGHT	9.5 ± 0.3	14.5Max

AC-162D  
 AC-162B  
 AC-162E  
 AC-162C