

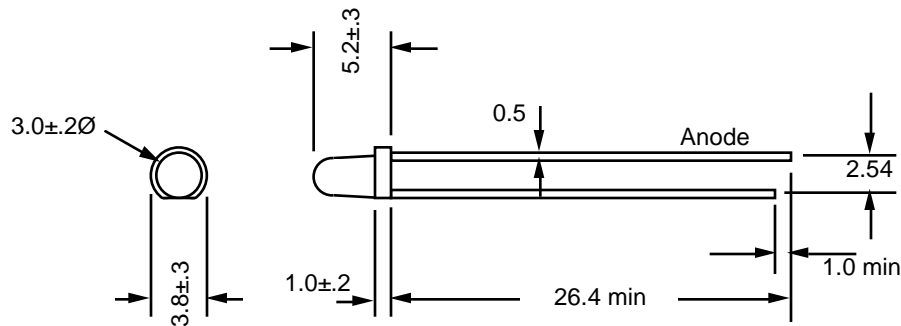
J Series, Blue and White LEDs, Water Clear LED, 2381 Series T-1, 3mm Round



The J series lamps are made with AlInGaP chips which can be used for standard brightness at low current (2mA) or super brightness at standard current (20mA). The Blue LEDs are made with GaN/SiC (428nm) and InGaN/SiC (468nm) chips. The White LEDs are made with GaN chips. Blue and white should only be used when these colors are necessary for the application and higher cost is acceptable.



RoHS Compliant
Aug 2004



GENERAL INFORMATION

Operating Temperature Range	-30 °C to +85 °C
Storage Temperature Range	-55 °C to +100 °C
Reflow Soldering Temperature	260 °C for 5 sec max

APPLICATION INFORMATION (ALL RATINGS AT 25 °C AMBIENT)

Part No.	Emitted Color	Peak		Absolute Maximum Ratings					E/O Characteristics					
		λ	$\Delta\lambda$	Pd (mW)	If (mA)		Ir @Vr=5V (μ A)	Vr (V)	Iv (mcd) @If=20mA			Vf (V) @ If=20mA		$2\Theta_{1/2}$ (Deg)
		(nm)	(nm)		dc	1/10 duty @ 1 kHz			2mA	Min	Typ	Min	Typ	
JRC2381	Red	632	20	60	25	160	10	5	9	60	160	2.0	2.4	25
JGC2381	Green	575	20	60	25	160	10	5	4	40	70	2.0	2.4	25
JYC2381	Yellow	591	15	60	25	160	10	5	12	80	210	2.0	2.4	25
JOC2381	Orange	621	18	60	25	160	10	5	12	80	210	2.0	2.4	25
JEC2381	Red	639	20	60	25	160	10	5	7	60	110	2.0	2.4	25
JYOC2381	YelOrng	611	17	60	25	160	10	5	12	80	210	2.0	2.4	25
IUBC2381	Blue	428	65	140	25	70	50	5	-	100	200	3.8	4.5	25
IUBC2381-7	Blue	468	26	120	25	-	50	5	-	250	550	3.5	4.0	25
IUWC2381	White	-	-	120	25	100	10	5	-	600	1000	3.6	4.0	25

www.DataSheet4U.com

Specifications subject to change without notice. Dimensions are in mm±0.3 unless stated otherwise.

IDEA, Inc., 1351 Titan Way, Brea, CA 92821 Ph:714-525-3302, 800-LED-IDEA; Fax: 714-525-3304 0508