



T-51-19

MC1455

Specifications and Applications Information

TIMING CIRCUIT

The MC1455 monolithic timing circuit is a highly stable controller capable of producing accurate time delays, or oscillation. Additional terminals are provided for triggering or resetting if desired. In the time delay mode of operation, the time is precisely controlled by one external resistor and capacitor. For astable operation as an oscillator, the free running frequency and the duty cycle are both accurately controlled with two external resistors and one capacitor. The circuit may be triggered and reset on falling waveforms, and the output structure can source or sink up to 200 mA or drive MTTL circuits.

- Direct Replacement for NE555 Timers
- Timing From Microseconds Through Hours
- Operates in Both Astable and Monostable Modes
- Adjustable Duty Cycle
- High Current Output Can Source or Sink 200 mA
- Output Can Drive MTTL
- Temperature Stability of 0.005% per °C
- Normally "On" or Normally "Off" Output

FIGURE 1 — 22-SECOND SOLID-STATE TIME DELAY RELAY CIRCUIT

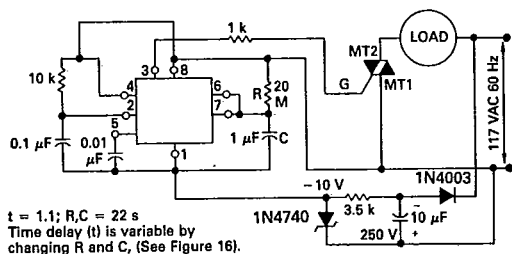
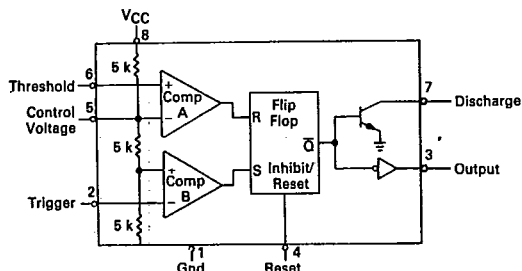


FIGURE 2 — BLOCK DIAGRAM



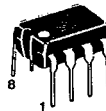
TIMING CIRCUIT

SILICON MONOLITHIC INTEGRATED CIRCUIT



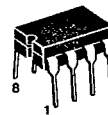
G SUFFIX
METAL PACKAGE
CASE 601-04

- | | |
|------------|--------------------|
| 1. Ground | 5. Control Voltage |
| 2. Trigger | 6. Threshold |
| 3. Output | 7. Discharge |
| 4. Reset | 8. VCC |



P1 SUFFIX
PLASTIC PACKAGE
CASE 626-05

U SUFFIX
CERAMIC PACKAGE
CASE 693-02



D SUFFIX
PLASTIC PACKAGE
CASE 751-02
SO-8



ORDERING INFORMATION

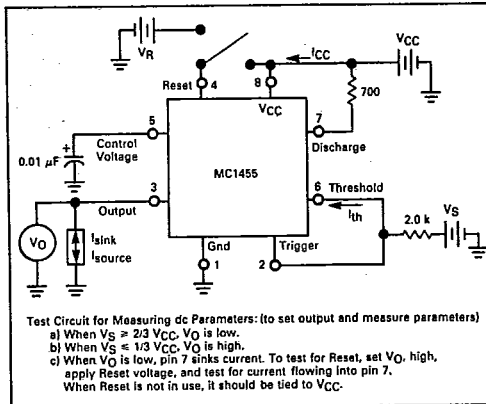
Device	Alternate	Temperature Range	Package
MC1455G	—	0°C to +70°C	Metal Can
MC1455P1	NE555V	0°C to +70°C	Plastic DIP
MC1455D	—	0°C to +70°C	SO-8
MC1455U	—	0°C to +70°C	Ceramic DIP
MC1455BP1	—	-40°C to +85°C	Plastic DIP

MC1455

MAXIMUM RATINGS ($T_A = +25^\circ\text{C}$ unless otherwise noted.)

Rating	Symbol	Value	Unit
Power Supply Voltage	V_{CC}	+18	Vdc
Discharge Current (Pin 7)	I_7	200	mA
Power Dissipation (Package Limitation)	P_D		
Metal Can		680	mW
Derate above $T_A = +25^\circ\text{C}$		4.6	mW/ $^\circ\text{C}$
Plastic Dual In-Line Package		625	mW
Derate above $T_A = +25^\circ\text{C}$		5.0	mW/ $^\circ\text{C}$
Operating Temperature Range (Ambient)	T_A		$^\circ\text{C}$
MC1455B		-40 to +85	
MC1455		0 to +70	
Storage Temperature Range	T_{stg}	-65 to +150	$^\circ\text{C}$

FIGURE 3 — GENERAL TEST CIRCUIT



ELECTRICAL CHARACTERISTICS ($T_A = +25^\circ\text{C}$, $V_{CC} = +5.0\text{ V to } +15\text{ V}$ unless otherwise noted.)

Characteristics	Symbol	Min	Typ	Max	Unit
Operating Supply Voltage Range	V_{CC}	4.5	—	16	V
Supply Current	I_{CC}	—	3.0	6.0	mA
$V_{CC} = 5.0\text{ V}$, $R_L = \infty$		—	10	15	
$V_{CC} = 15\text{ V}$, $R_L = \infty$					
Low State, (Note 1)					
Timing Error (Note 2)					
$R = 1.0\text{ k}\Omega$ to $100\text{ k}\Omega$		—	1.0	—	%
Initial Accuracy $C = 0.1\ \mu\text{F}$		—	50	—	PPM/ $^\circ\text{C}$
Drift with Temperature		—	0.1	—	%/Volt
Drift with Supply Voltage					
Threshold Voltage	V_{th}	—	2/3	—	$\times V_{CC}$
Trigger Voltage	V_T	—	5.0	—	V
$V_{CC} = 15\text{ V}$		—	1.67	—	
$V_{CC} = 5.0\text{ V}$					
Trigger Current	I_T	—	0.5	—	μA
Reset Voltage	V_R	0.4	0.7	1.0	V
Reset Current	I_R	—	0.1	—	mA
Threshold Current (Note 3)	I_{th}	—	0.1	0.25	μA
Discharge Leakage Current (Pin 7)	I_{dis}	—	—	100	nA
Control Voltage Level	V_{CL}				V
$V_{CC} = 15\text{ V}$		9.0	10	11	
$V_{CC} = 5.0\text{ V}$		2.6	3.33	4.0	
Output Voltage Low	V_{OL}				V
($V_{CC} = 15\text{ V}$)					
$I_{sink} = 10\text{ mA}$		—	0.1	0.25	
$I_{sink} = 50\text{ mA}$		—	0.4	0.75	
$I_{sink} = 100\text{ mA}$		—	2.0	2.5	
$I_{sink} = 200\text{ mA}$		—	2.5	—	
($V_{CC} = 5.0\text{ V}$)					
$I_{sink} = 8.0\text{ mA}$		—	—	—	
$I_{sink} = 5.0\text{ mA}$		—	0.25	0.35	
Output Voltage High	V_{OH}				V
($I_{source} = 200\text{ mA}$)					
$V_{CC} = 15\text{ V}$		—	12.5	—	
($I_{source} = 100\text{ mA}$)					
$V_{CC} = 15\text{ V}$		12.75	13.3	—	
$V_{CC} = 5.0\text{ V}$		2.75	3.3	—	
Rise Time of Output	t_{OLH}	—	100	—	ns
Fall Time of Output	t_{OHL}	—	100	—	ns

- NOTES:**
- Supply current when output is high is typically 1.0 mA less.
 - Tested at $V_{CC} = 5.0\text{ V}$ and $V_{CC} = 15\text{ V}$. Monostable mode
 - This will determine the maximum value of $R_A + R_B$ for 15 V operation. The maximum total $R = 20$ megohms.

11

MC1455

TYPICAL CHARACTERISTICS
($T_A = +25^\circ\text{C}$ unless otherwise noted.)

FIGURE 4 — TRIGGER PULSE WIDTH

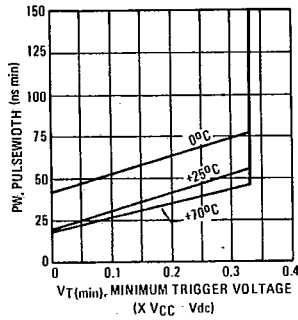


FIGURE 5 — SUPPLY CURRENT

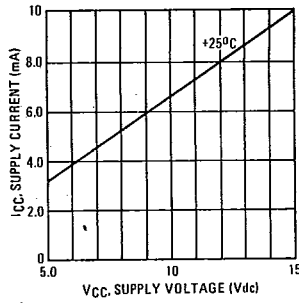


FIGURE 6 — HIGH OUTPUT VOLTAGE

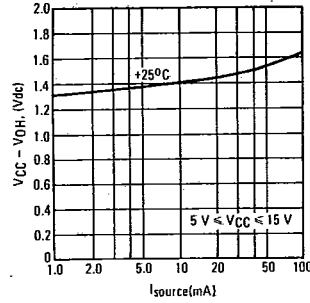


FIGURE 7 — LOW OUTPUT VOLTAGE @ $V_{CC} = 5.0 \text{ Vdc}$

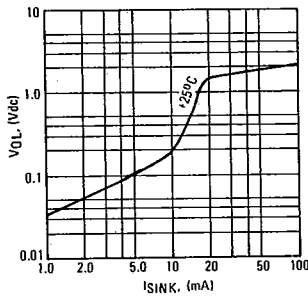


FIGURE 8 — LOW OUTPUT VOLTAGE @ $V_{CC} = 10 \text{ Vdc}$

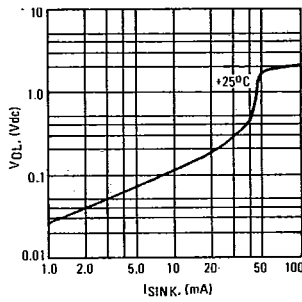


FIGURE 9 — LOW OUTPUT VOLTAGE @ $V_{CC} = 15 \text{ Vdc}$

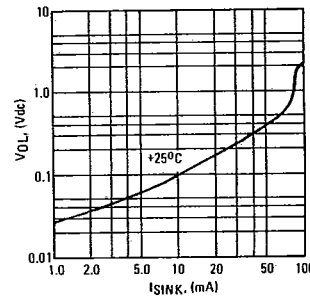


FIGURE 10 — DELAY TIME versus SUPPLY VOLTAGE

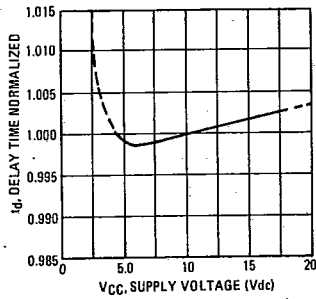


FIGURE 11 — DELAY TIME versus TEMPERATURE

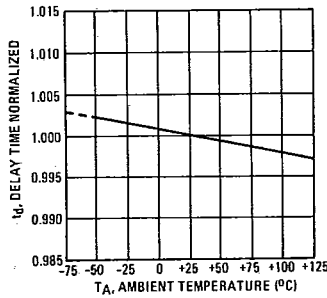
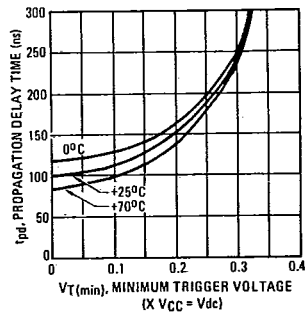
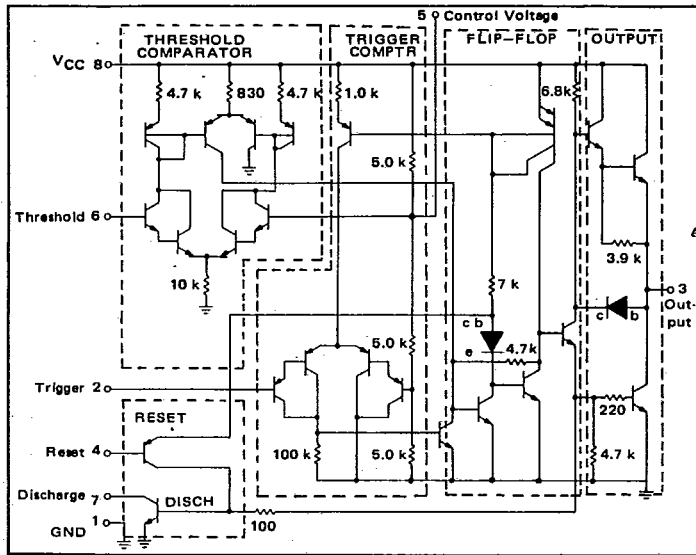


FIGURE 12 — PROPAGATION DELAY versus TRIGGER VOLTAGE



MC1455

FIGURE 13 — REPRESENTATIVE CIRCUIT SCHEMATIC



GENERAL OPERATION

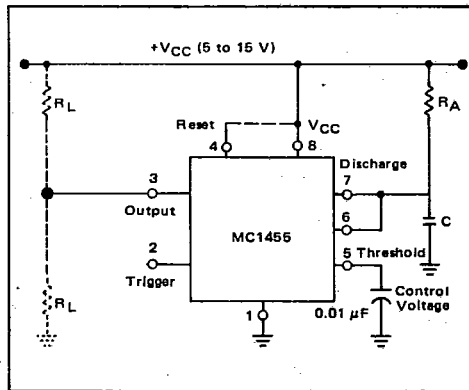
The MC1455 is a monolithic timing circuit which uses as its timing elements an external resistor — capacitor network. It can be used in both the monostable (one-shot) and astable modes with frequency and duty cycle controlled by the capacitor and resistor values. While the timing is dependent upon the external passive components, the monolithic circuit provides the starting circuit, voltage comparison and other functions needed for a complete timing circuit. Internal to the integrated circuit are two comparators, one for the input signal and the other for capacitor voltage; also a flip-flop and digital output are included. The comparator reference voltages are always a fixed ratio of the supply voltage thus providing output timing independent of supply voltage.

A reset pin is provided to discharge the capacitor thus interrupting the timing cycle. As long as the reset pins is low, the capacitor discharge transistor is turned "on" and prevents the capacitor from charging. While the reset voltage is applied the digital output will remain the same. The reset pin should be tied to the supply voltage when not in use.

Monostable Mode

In the monostable mode, a capacitor and a single resistor are used for the timing network. Both the threshold terminal and the discharge transistor terminal are connected together in this mode, refer to circuit Figure 14. When the input voltage to the trigger comparator falls below $1/3 V_{CC}$ the comparator output triggers the flip-flop so that its output sets low. This turns the capacitor discharge transistor "off" and drives the digital output to the high state. This condition allows the capacitor to charge at an exponential rate which is set by the RC time constant. When the capacitor voltage reaches $2/3 V_{CC}$ the threshold comparator resets the flip-flop. This action discharges the timing capacitor and returns the digital output to the low state. Once the flip-flop has been triggered by an input signal, it cannot be retriggered until the present timing period has been completed. The time that the output is high is given by the equation $t = 1.1 R_A C$. Various combinations of R and C and their associated times are shown in Figure 16. The trigger pulse width must be less than the timing period.

FIGURE 14 — MONOSTABLE CIRCUIT

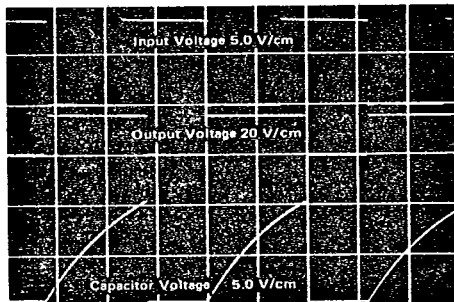


11

MC1455

GENERAL OPERATION (continued)

FIGURE 15 — MONOSTABLE WAVEFORMS



$t = 50 \mu\text{s/cm}$
 $(R_A = 10 \text{ k}\Omega, C = 0.01 \mu\text{F}, R_L = 1.0 \text{ k}\Omega, V_{CC} = 15 \text{ V})$

FIGURE 16 — TIME DELAY

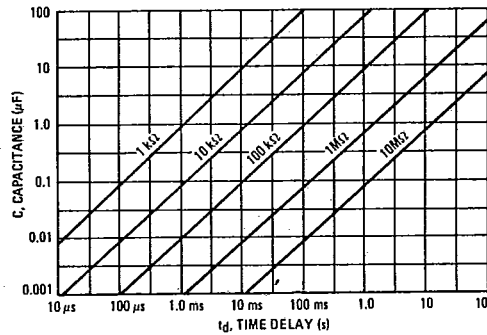
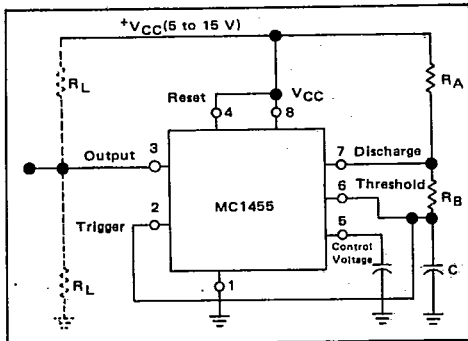


FIGURE 17 — ASTABLE CIRCUIT



Astable Mode

In the astable mode the timer is connected so that it will retrigger itself and cause the capacitor voltage to oscillate between $1/3 V_{CC}$ and $2/3 V_{CC}$. See Figure 17.

The external capacitor charges to $2/3 V_{CC}$ through R_A and discharges to $1/3 V_{CC}$ through R_B . By varying the ratio of these resistors the duty cycle can be varied. The charge and discharge times are independent of the supply voltage.

The charge time (output high) is given by: $t_1 = 0.695 (R_A + R_B) C$
 The discharge time (output low) by: $t_2 = 0.695 (R_B) C$
 Thus the total period is given by: $T = t_1 + t_2 = 0.695 (R_A + 2R_B) C$

The frequency of oscillation is then: $f = \frac{1}{T} = \frac{1.44}{(R_A + 2R_B) C}$
 and may be easily found as shown in Figure 19.

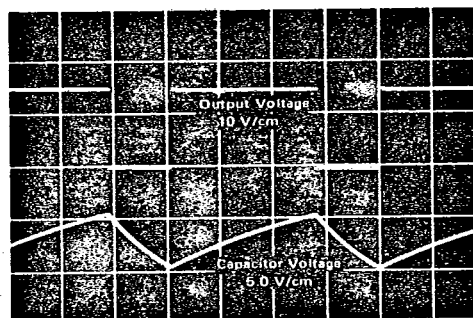
The duty cycle is given by: $DC = \frac{R_B}{R_A + 2R_B}$

To obtain the maximum duty cycle R_A must be as small as possible; but it must also be large enough to limit the discharge current (pin 7 current) within the maximum rating of the discharge transistor (200 mA).

The minimum value of R_A is given by:

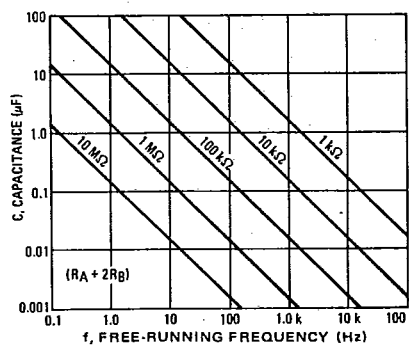
$$R_A \geq \frac{V_{CC} (V_{dc})}{I_7 (A)} \geq \frac{V_{CC} (V_{dc})}{0.2}$$

FIGURE 18 — ASTABLE WAVEFORMS



$(R_A = 5.1 \text{ k}\Omega, C = 0.01 \mu\text{F}, R_L = 1.0 \text{ k}\Omega;$
 $R_B = 3.9 \text{ k}\Omega, V_{CC} = 15 \text{ V})$

FIGURE 19 — FREE-RUNNING FREQUENCY



MC1455

APPLICATIONS INFORMATION

Linear Voltage Ramp

In the monostable mode, the resistor can be replaced by a constant current source to provide a linear ramp voltage. The capacitor still charges from 0 to 2/3 V_{CC}. The linear ramp time is given by

$$t = \frac{2}{3} \frac{V_{CC}}{I}$$

where $I = \frac{V_{CC} - V_B - V_{BE}}{R_E}$. If V_B is much larger than V_{BE}, then t can be made independent of V_{CC}.

Missing Pulse Detector

The timer can be used to produce an output when an input pulse fails to occur within the delay of the timer. To accomplish this, set the time delay to be slightly longer than the time between successive input pulses. The timing cycle is then continuously reset by the input pulse train in frequency or a missing pulse allows completion of the timing cycle, causing a change in the output level.

FIGURE 20 — LINEAR VOLTAGE SWEEP CIRCUIT

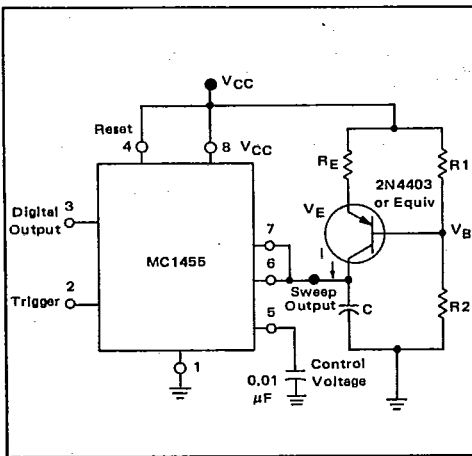


FIGURE 22

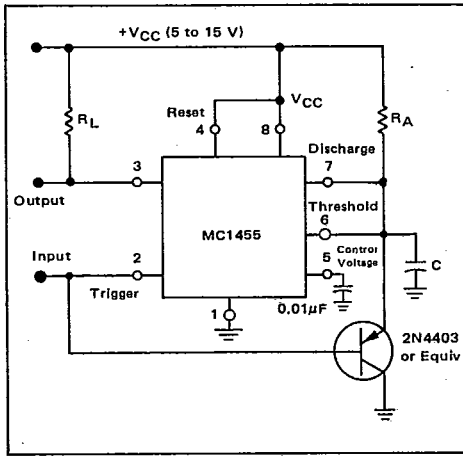


FIGURE 21 — LINEAR VOLTAGE RAMP WAVEFORMS (R_E = 10 kΩ, R₂ = 100 kΩ, R₁ = 39 kΩ, C = 0.01 μF, V_{CC} = 15 V)

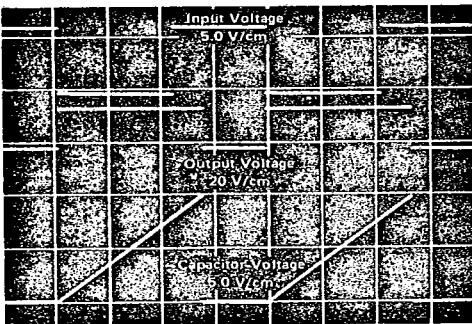
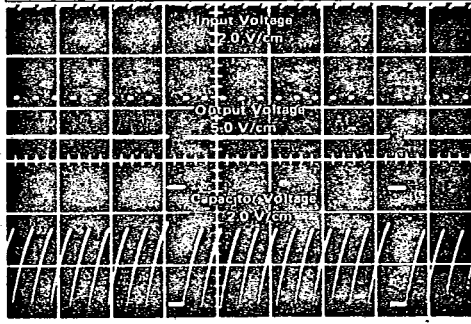


FIGURE 23 — MISSING PULSE DETECTOR WAVEFORMS (R_A = 2.0 kΩ, R_L = 1.0 kΩ, C = 0.1 μF, V_{CC} = 15 V)



11

MC1455

APPLICATIONS INFORMATION (continued)

Pulse Width Modulation

If the timer is triggered with a continuous pulse train in the monostable mode of operation, the charge time of the capacitor can be varied by changing the control voltage at pin 5. In this manner, the output pulse width can be modulated by applying a modulating signal that controls the threshold voltage.

FIGURE 24

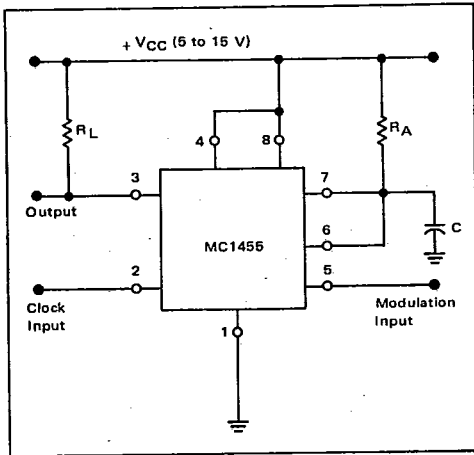
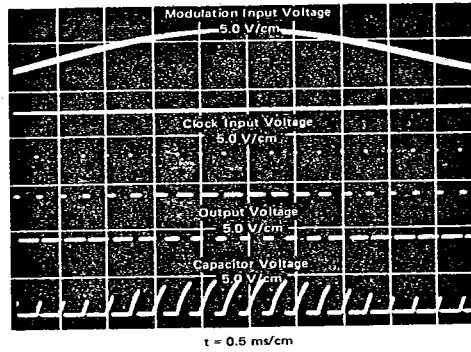


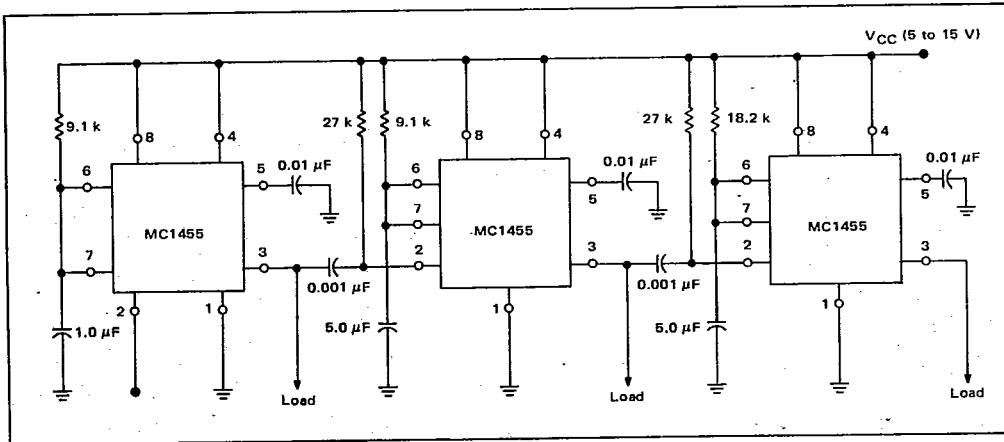
FIGURE 25 — PULSE WIDTH MODULATION WAVEFORMS
($R_A = 10\text{ k}\Omega$, $C = 0.02\ \mu\text{F}$, $V_{CC} = 15\text{ V}$)



Test Sequences

Several timers can be connected to drive each other for sequential timing. An example is shown in Figure 26 where the sequence is started by triggering the first timer which runs for 10 ms. The output then switches low momentarily and starts the second timer which runs for 50 ms and so forth.

FIGURE 26



11