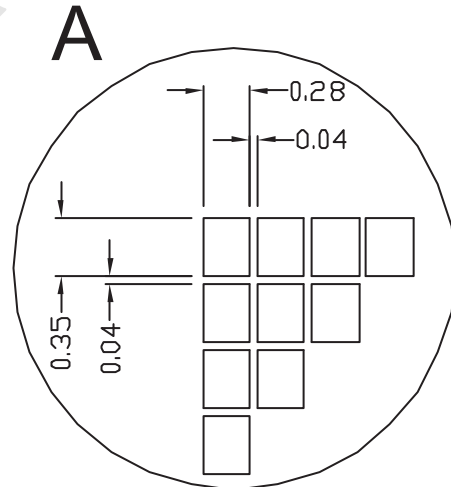
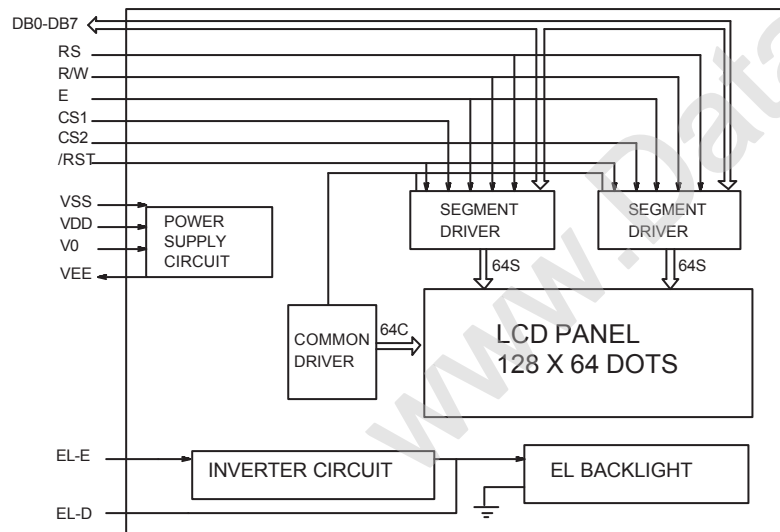
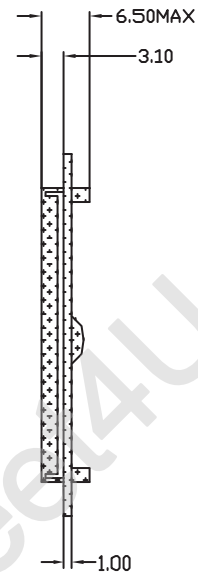
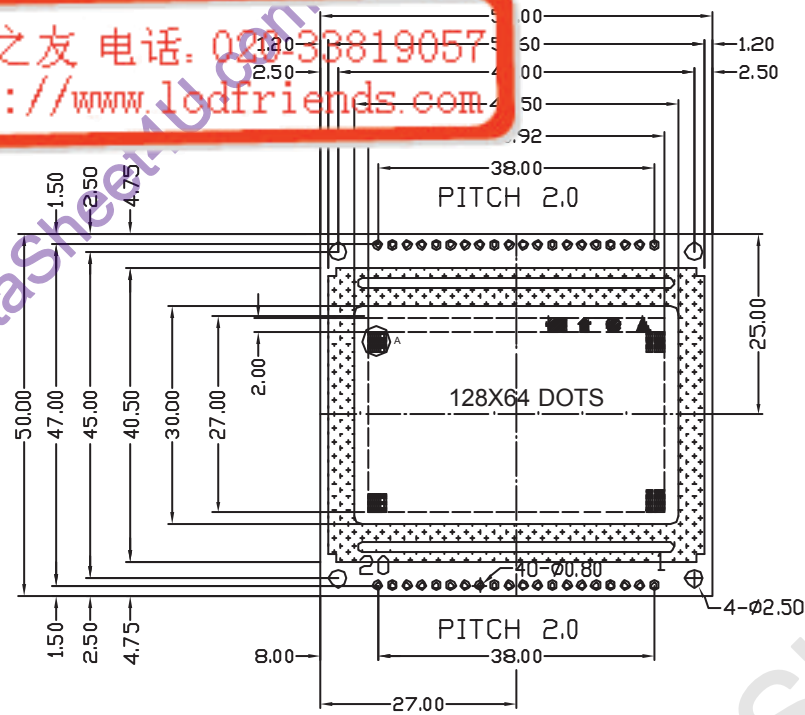


液晶之友 电话: 020-38819057
 Http://www.lcdfriends.com



REVISIONS			
NO.	DATE	BY	DESCRIPTION
1	01/06/18	A.CH	NEW RELEASE

PINS ASSIGNMENT		
NO.	SYMBOL	DESCRIPTION
1	VSS	GROUND
2	VDD	POWER SUPPLY FOR LOGIC AND LCD
3	V0	OPERATING VOLTAGE FOR LCD
4	RS	DATA/INSTRUCTION SELECT
5	R/W	READ/WRITE SELECT
6	E	ENABLE SIGNAL
7-14	DB0-DB7	DATA BUS
15	CS1	CHIP SELECT OF IC1 (HIGH EFFECTIVE)
16	CS2	CHIP SELECT OF IC2 (HIGH EFFECTIVE)
17	/RST	RESET SIGNAL(LOW EFFECTIVE)
18	VEE	NEGATIVE VOLTAGE OUTPUT/INPUT
19	EL-E	EL ON/OFF CONTROL(HIGH ON)
20	EL-D	DIRECT EL DRIVE INPUT

ABSOLUTE MAXIMUM RATING				
ITEM	SYMBOL	MIN	MAX	UNIT
POWER SUPPLY(LOGIC)	VDD-VSS	0	6.5	V
POWER SUPPLY(LCD DRV.)	VDD-V0	0	18.0	V
INPUT VOLTAGE	Vi	Vi	VDD	V

ELECTRICAL CHARACTERISTICS					
ITEM	SYMBOL	MIN	TYP	MAX	UNIT
VOLTAGE FOR LOGIC	VDD-VSS	4.75	5.0	5.25	V
SUPPLY CURRENT	IDD	-	25	30	mA
LCD OPERATING VOLTAGE	0C	-	9.2	-	V
	25C	-	9.0	-	V
	40C	-	8.8	-	V
INPUT VOLTAGE	H	0.7VDD	-	VDD	V
	L	VIL	0	0.3VDD	V

MECHANICAL SPECIFICATIONS		
ITEM	SPECIFICATION	UNIT
OVERALL SIZE	54.0W x 50.0H x 6.5T	MM
VIEWING AREA	43.5W x 29.0H	MM
DOT NUMBER	128 x 64	DOTS
DOT SIZE	0.28W x 0.35H	MM
DOT PITCH	0.32W x 0.39H	MM

- OPTIONS
- LCD TYPE: Y/G STN;
 - BACKLIGHT: WITHOUT BACKLIGHT;EL
 - COLOR OF BACKLIGHT: Y/G; BLUE; WHITE
 - TEMPERATURE RANGE: NORMAL(0-50C); EXTENDED(-20-70C)
 - POWER SUPPLY: ON BOARD DC/DC(SINGLE 5.0V); DUAL POWER SUPPLY(5.0V & -10.0V)
 - VIEWING ANGLE: 6H;