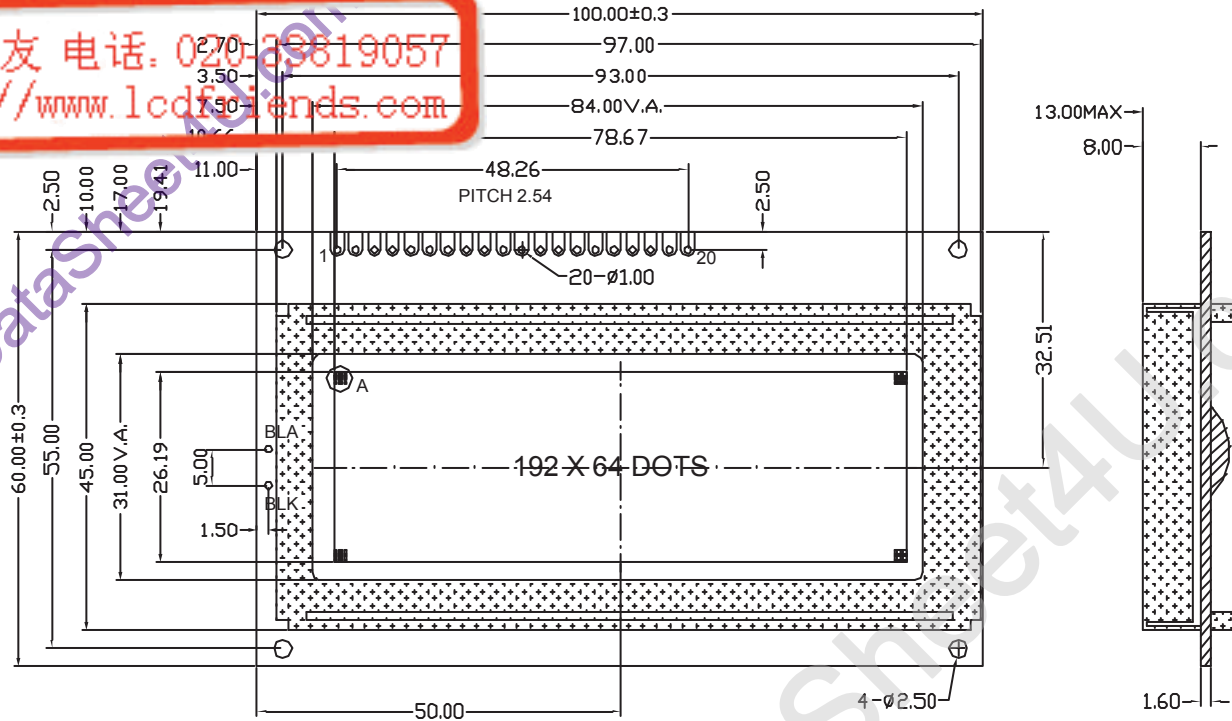


液晶之友 电话: 020-33819057  
 Http://www.lcdfriends.com



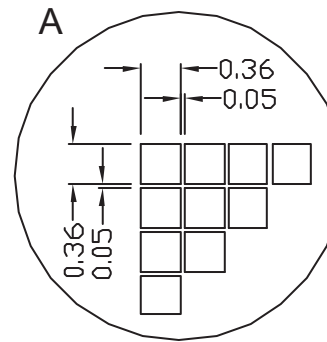
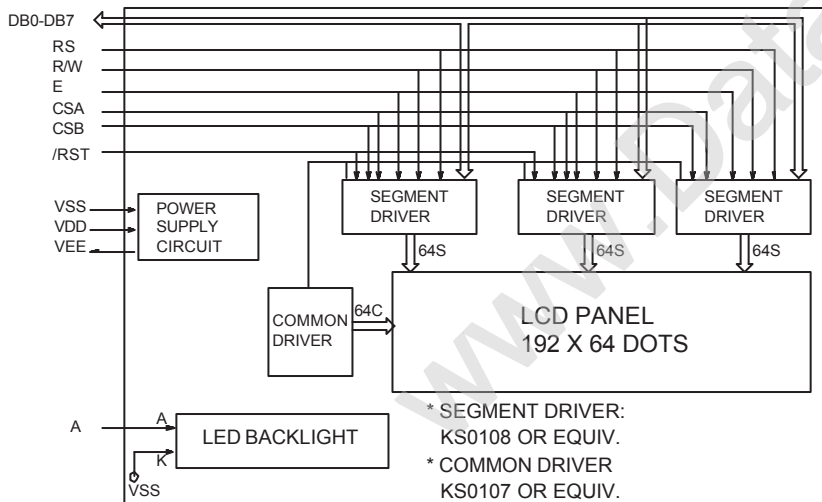
REVISIONS

NO.	DATE	BY	DESCRIPTION
1	01/06/18	A.CH	NEW RELEASE

PINS ASSIGNMENT		
NO.	SYMBOL	DESCRIPTION
1-8	DB7-DB0	DATA BUS
9	E	ENABLE SIGNAL
10	R/W	READ/WRITE SELECT
11	RS	DATA/INSTRUCTION SELECT
12	V0	OPERATING VOLTAGE FOR LCD
13	VDD	POWER SUPPLY FOR LOGIC AND LCD
14	VSS	GROUND
15	CSB	CHIP SELECT SIGNAL A
16	CSA	RESET SIGNAL B
17	VEE	NEGATIVE VOLTAGE OUTPUT/INPUT(-10V)
18	/RST	RESET SIGNAL
19	BLA	POWER SUPPLY FOR LED B.L.(+4.2V)
20	BLK	POWER SUPPLY FOR LED B.L.(0V)

ABSOLUTE MAXIMUM RATING				
ITEM	SYMBOL	MIN	MAX	UNIT
POWER SUPPLY(LOGIC)	VDD-VSS	0	6.5	V
POWER SUPPLY(LCD DRV.)	VDD-V0	0	18.0	V
INPUT VOLTAGE	$V_i$	$V_i$	VDD	V

ELECTRICAL CHARACTERISTICS					
ITEM	SYMBOL	MIN	TYP	MAX	UNIT
VOLTAGE FOR LOGIC	VDD-VSS	4.75	5.0	5.25	V
SUPPLY CURRENT	IDD	-	5.1	9.8	mA
LCD OPERATING VOLTAGE	0C	-	9.2	-	V
	25C	-	9.0	-	V
	40C	-	8.8	-	V
INPUT VOLTAGE	H $V_{iH}$	0.7VDD	-	VDD	V
	L $V_{iL}$	0	-	0.3VDD	V
VOLTAGE FOR LED BL	VA-VSS	4.0	4.10	4.40	V



MECHANICAL SPECIFICATIONS		
ITEM	SPECIFICATION	UNIT
OVERALL SIZE	100.0W x 60.0H x 13.0T(10.0T)	MM
VIEWING AREA	84.0W x 31.0H	MM
DOT NUMBER	192 x 64	DOTS
DOT SIZE	0.36W x 0.36H	MM
DOT PITCH	0.41W x 0.41H	MM

OPTIONS	
1.	LCD TYPE: Y/G STN; GRAY STN; B/W FSTN
2.	BACKLIGHT: WITHOUT BACKLIGHT; LED; EL
3.	COLOR OF BACKLIGHT: Y/G; BLUE; WHITE
4.	TEMPERATURE RANGE: NORMAL(0-50C); EXTENDED(-20-70C)
5.	POWER SUPPLY: ON BOARD DC/DC(SINGLE 5.0V); DUAL POWER SUPPLY(5.0V & -10.0V)
6.	VIEWING ANGLE: 6H; 12H