

## Features

- IEEE.802.3 Ethernet compatible
- Dual channel 16-pin SMD
- Lead free versions available (see How to Order)
- Lead free versions are RoHS compliant\*

## Applications

www.DataSheet4U.com

- Ethernet

# PT61018 - LAN 10/100 Base-Tx

### Electrical Specifications @ 25 °C

Inductance - Open Circuit ....350  $\mu$ H min.  
(100 KHz, 0.2 V with 8 mA DC bias)

Turns Ratio ( $\pm 2\%$ )  
.....TX 1CT : 1CT; RX 1CT : 1 CT

Leakage Inductance .....0.5  $\mu$ H max.

DCR .....0.9 ohms max.

Insertion Loss  
0.3 - 100 MHz .....-1.1 dB max.

Return Loss (@ 100 ohms)  
0.3 - 30 MHz .....-18 dB min.  
40 MHz .....-16 dB min.  
50 MHz .....-14.5 dB min.  
60 - 80 MHz .....-12 dB min.

Cross Talk  
0.3 - 60 MHz .....-42 dB min.  
60 - 100 MHz .....-35 dB min.

Common Mode Rejection Ratio  
0.3 - 30 MHz .....-40 dB typ.  
60 MHz .....-35 dB typ.  
80 - 100 MHz .....-30 dB typ.

Cww .....20 pF max.

Isolation .....1500 VAC

Operating Temperature...-40 °C to +85 °C

\*CT: Center tap

### Packaging Specifications

Tube .....18 pcs./tube  
Reel.....750 pcs./reel

### How to Order

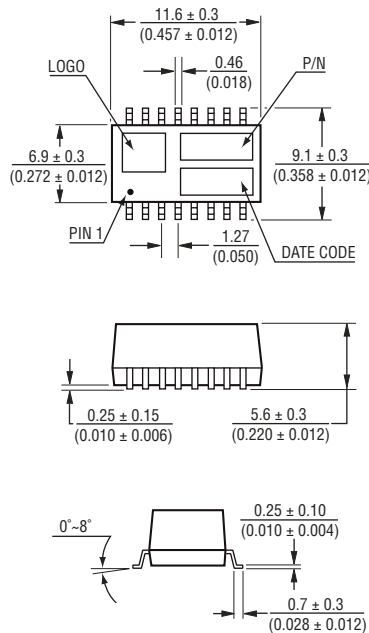
**PT61018**

Model \_\_\_\_\_

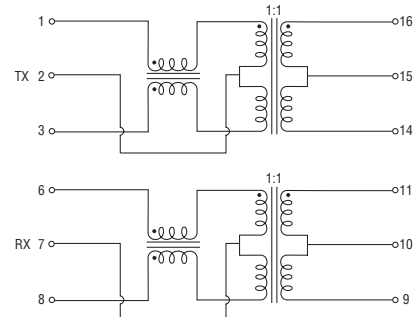
Packaging \_\_\_\_\_  
Blank = 18 pcs./tube  
E = 750 pcs./reel

Termination Coating \_\_\_\_\_  
Blank = Tin-lead  
L = 100 % Tin (lead free)

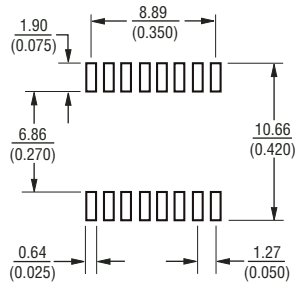
### Product Dimensions



### Electrical Schematic



### Recommended Layout



DIMENSIONS ARE:  $\frac{\text{MM}}{\text{(INCHES)}}$



Reliable Electronic Solutions

#### Asia-Pacific:

TEL +886-2 25624117 • FAX +886-2 25624116

#### Europe:

TEL +41-41 7685555 • FAX +41-41 7685510

#### The Americas:

TEL +1-951 781-5500 • FAX +1-951 781-5700

www.bourns.com

REV. 04/06

\*RoHS Directive 2002/95/EC Jan 27 2003 including Annex Specifications are subject to change without notice.

Customers should verify actual device performance in their specific applications.

www.DataSheet4U.com

COPYRIGHT©2006, BOURNS, INC. LITHO IN U.S.A. e 03/06 IC0614