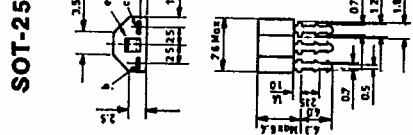
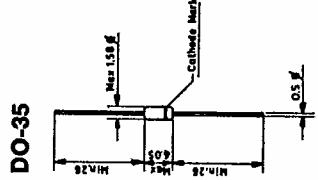
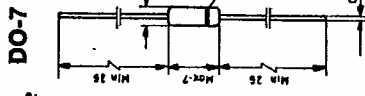
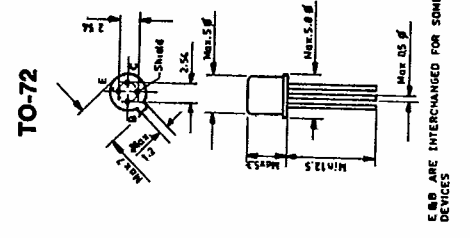
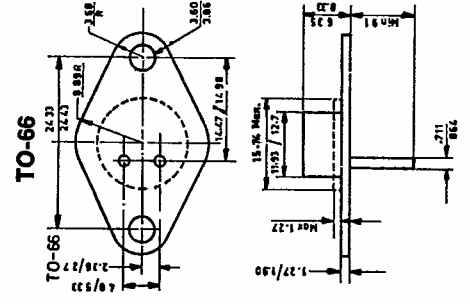
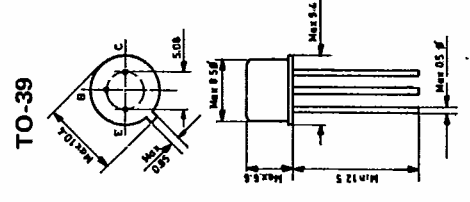
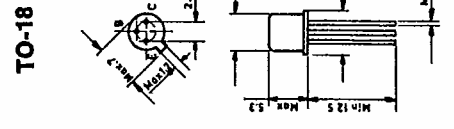
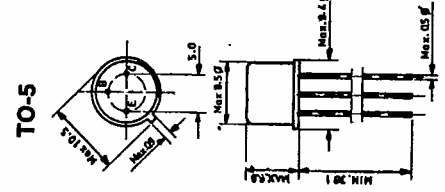
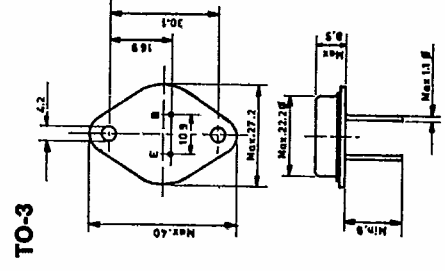


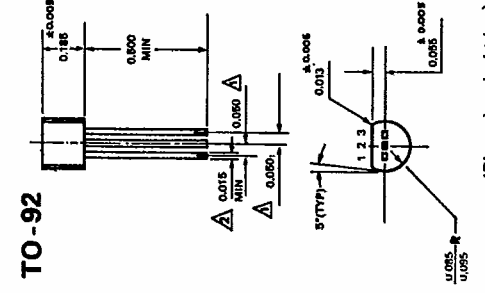
CASE OUTLINES



E 88 ARE INTERCHANGED FOR SOME DEVICES



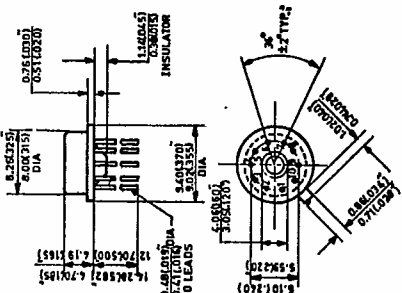
E 88 ARE INTERCHANGED FOR SOME DEVICES



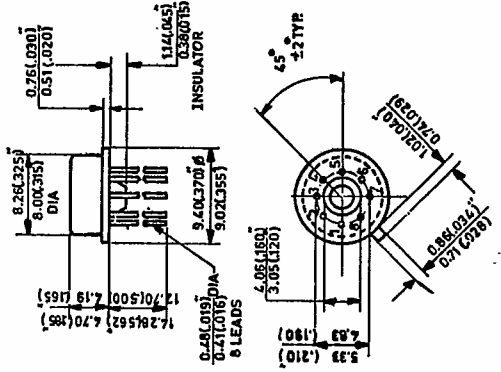
(Dimensions in inches)

Note : Dimensions in mm unless otherwise specified

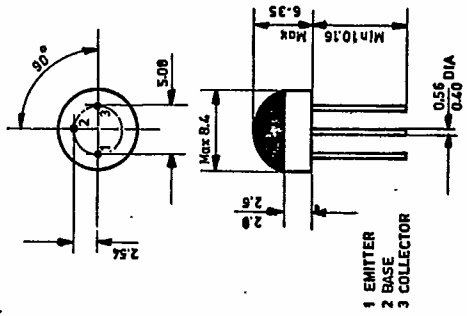
TO-96



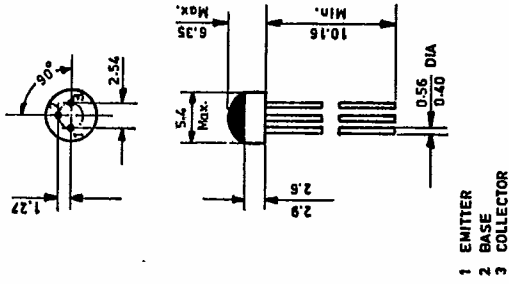
TO-99



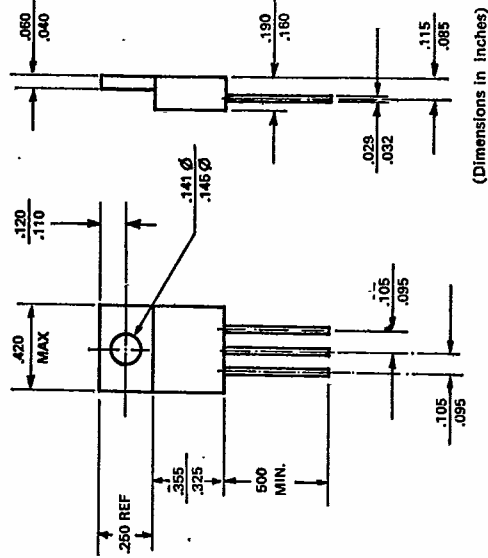
TO-105



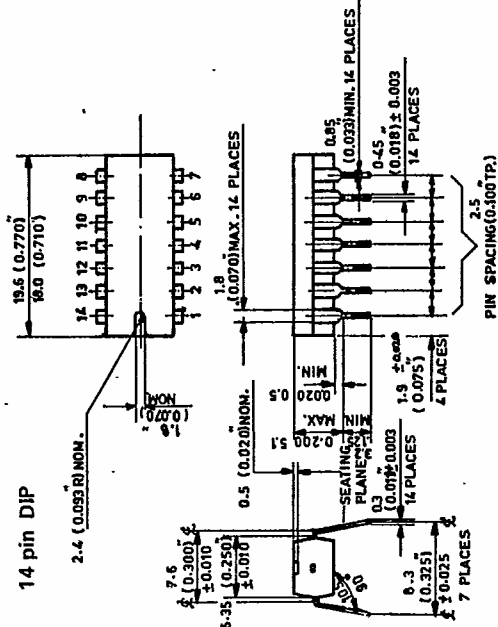
TO-106



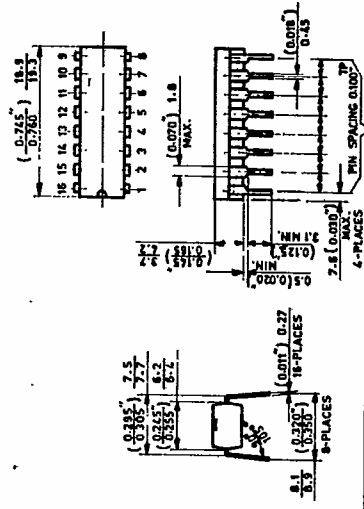
TO-220



14 pin DIP



16 pin DIP



(Dimensions in inches)

Note : Dimensions in mm unless otherwise specified