

VM6SSM1



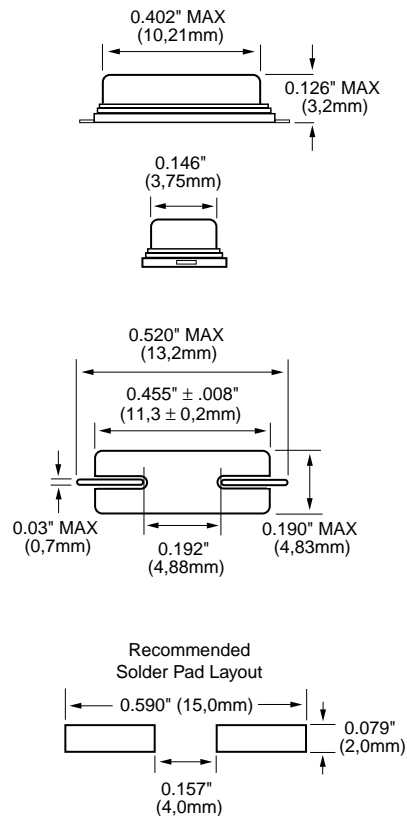
Resistance Weld Very Low Profile Surface Mount Crystal (3,2mm height)

FEATURES

- Low Profile (3,2mm)
- Cost Effective
- AT Strip
- Surface Mount

OPTIONS

- Tape & Reel



Parameter	Unit	Condition	Min	Typ	Max	Note
Frequency Range	MHz		8.00		70.0	
Frequency Tolerance	ppm	@25°C		±50		Additional Tolerances Available
Frequency Stability	ppm	0°C to +70°C		±50		Ref: @25°C
Operating Temperature Range	°C		0		+70	Additional Ranges Available
Storage Temperature Range	°C		-30		+85	
Shunt Capacitance (C ₀)	pF				7.0	
Load Capacitance (C _L)	pF	Customer Specified	10.0	18	Series	
Drive Level	mW				0.5	
Aging Per Year	ppm	@25°C			±5.0	
Frequency Range	Mode		Max ESR (Ω)			
8.000 - 9.000	Fundamental		80			
9.000 - 13.000	Fundamental		60			
13.000 - 20.000	Fundamental		40			
20.000 - 36.000	Fundamental		30			
27.000 - 70.000	3rd Overtone		100			

Note: Please reference "Building a Part Number" on page 36 if the desired specification is not found in the "Standard Crystal Part Number Chart" on pages 13-14.

All specifications are subject to change without notice.