



Series X508 Single and Dual Row Collet Sockets with Wire Wrap Pins

FEATURES:

- Aries collet sockets are available in single or dual rows.
- Cuttable to the number of pins desired to fit the application.
- Side-to-side and end-to-end stackable.

SPECIFICATIONS:

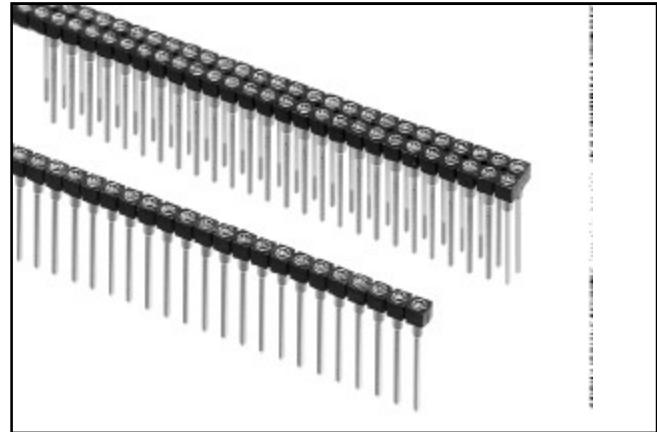
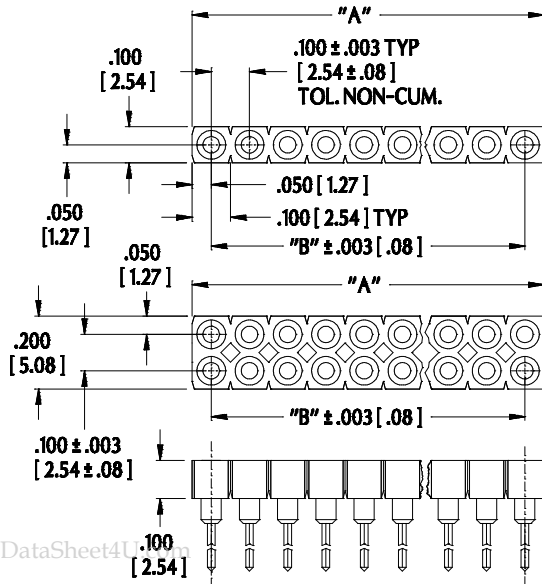
- Body material is black UL 94V-0 Nylon 4/6.
- Pin body is Brass Alloy 360 1/2 hard per UNS C36000 ASTM-B16-85.
- Pin body plating is either 10μ [.25μm] min. Gold per MIL-G-45204 or 200μ [5.08μm] min. 93/7 Tin/Lead per MIL-P-81728 over 100μ [2.54μm] min. Nickel per QQ-N-290.
- 4-fingered collet contact is Beryllium Copper Alloy per UNS C17200 ASTM-B194-92.
- Contact plating is 30μ [.76μm] min. Gold per MIL-G-45204 over 50μ [1.27μm] min. Nickel per QQ-N-290.
- Contact current rating=3 Amps.
- Operating temperature=221°F [105°C] Tin plating, =257°F [125°C] Gold plating.
- Insertion Force=180 grams/pin; Withdrawal Force=90 grams/pin; Normal Force=140 grams/pin; based on a .018 [.46] dia. test lead.
- Accepts leads .015-.025 [.38-.64] in diameter, .110-.160 [2.79-4.06] long.

MOUNTING CONSIDERATIONS:

- Suggested PCB hole size=.045 ± .002 [1.14 ± .05] dia.

ALL DIMENSIONS: INCHES [MILLIMETERS]

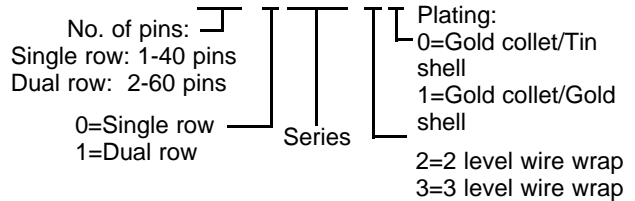
"A"=(NO. OF PINS PER ROW) X .100 [2.54]
 "B"=(NO. OF PINS PER ROW - 1) X .100 [2.54]



Note: Aries specializes in custom design and production. In addition to the standard products shown on this page, special materials, platings, sizes, and configurations can be furnished, depending on quantities. Aries reserves the right to change product specifications without notice.

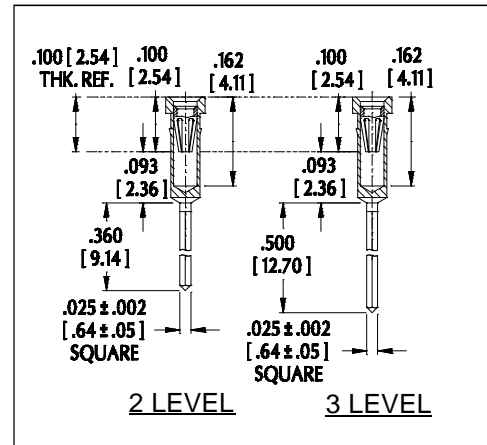
ORDERING INFORMATION

XX-X508-XX



Consult Data Sheet No. 12020 for Series X518 Collet Sockets with solder tail pins.

All tolerances ± .005 [.13] unless otherwise specified



http://www.arieselec.com • info@arieselec.com

NORTH AMERICA
 Frenchtown, NJ USA
 TEL: (908) 996-6841
 FAX: (908) 996-3891



EUROPE
 TEL: +44 870 240 0249
 FAX: +44 871 919 6033
 europe@arieselec.com

12021
 REV.D