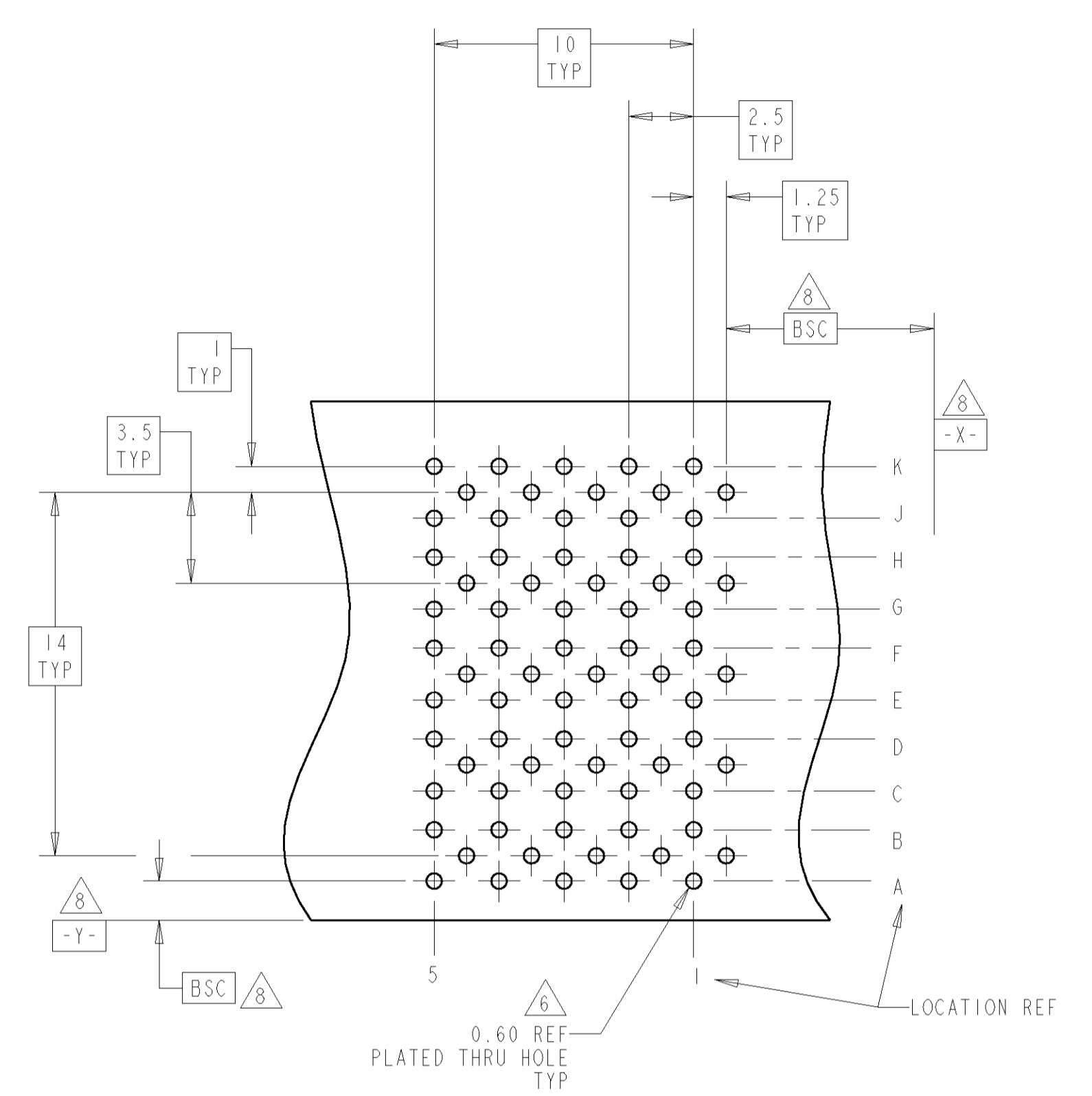
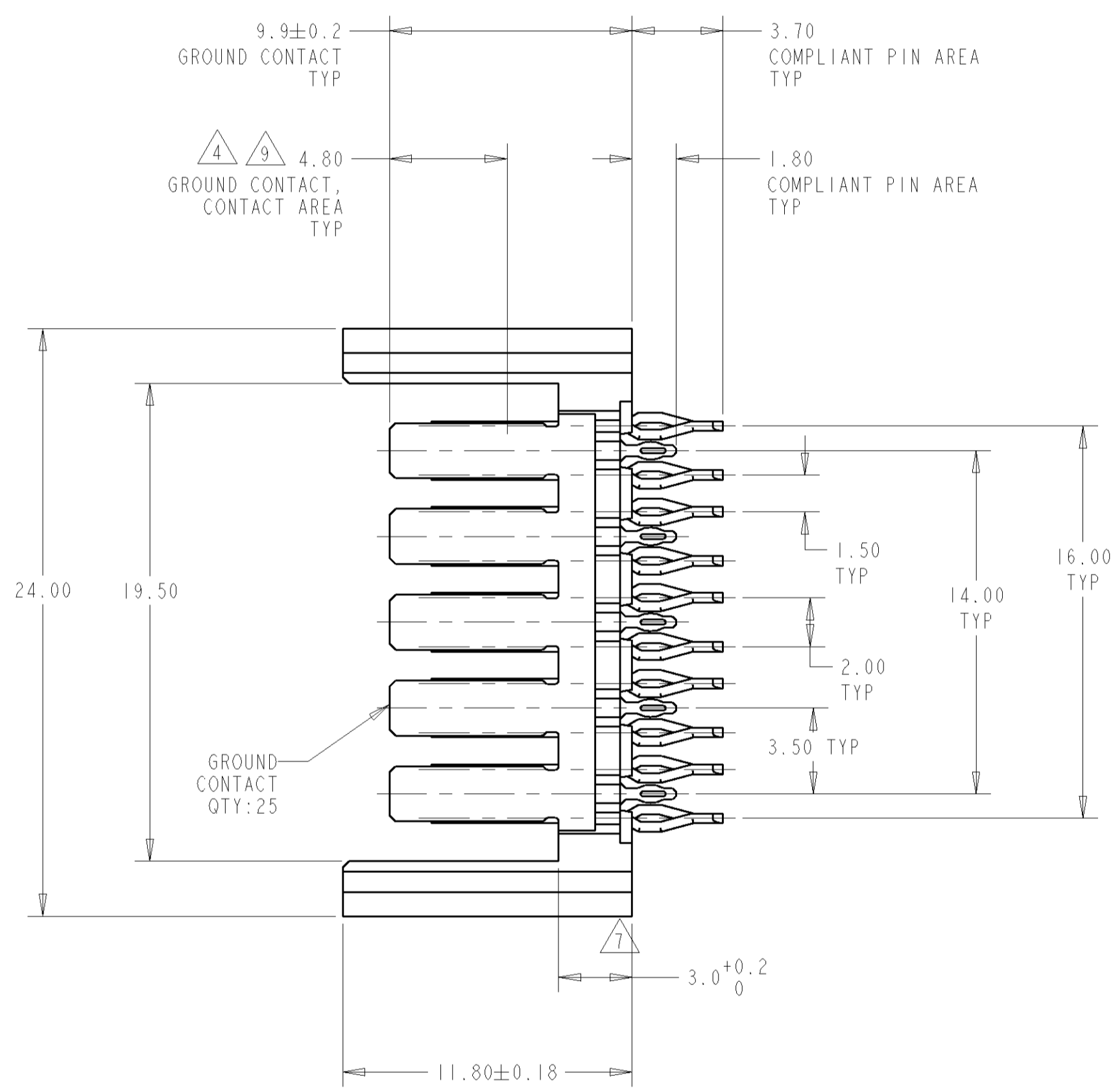
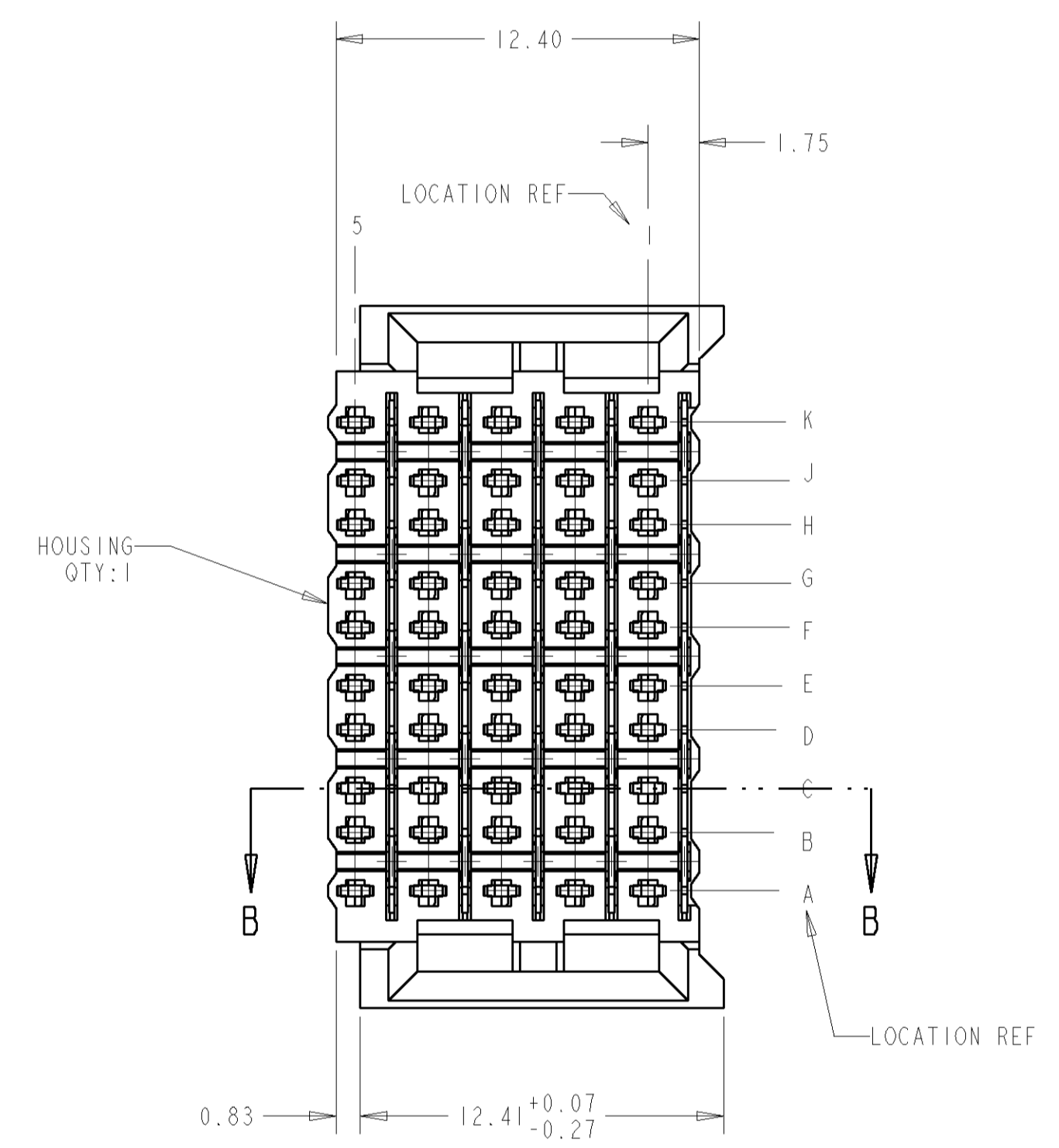
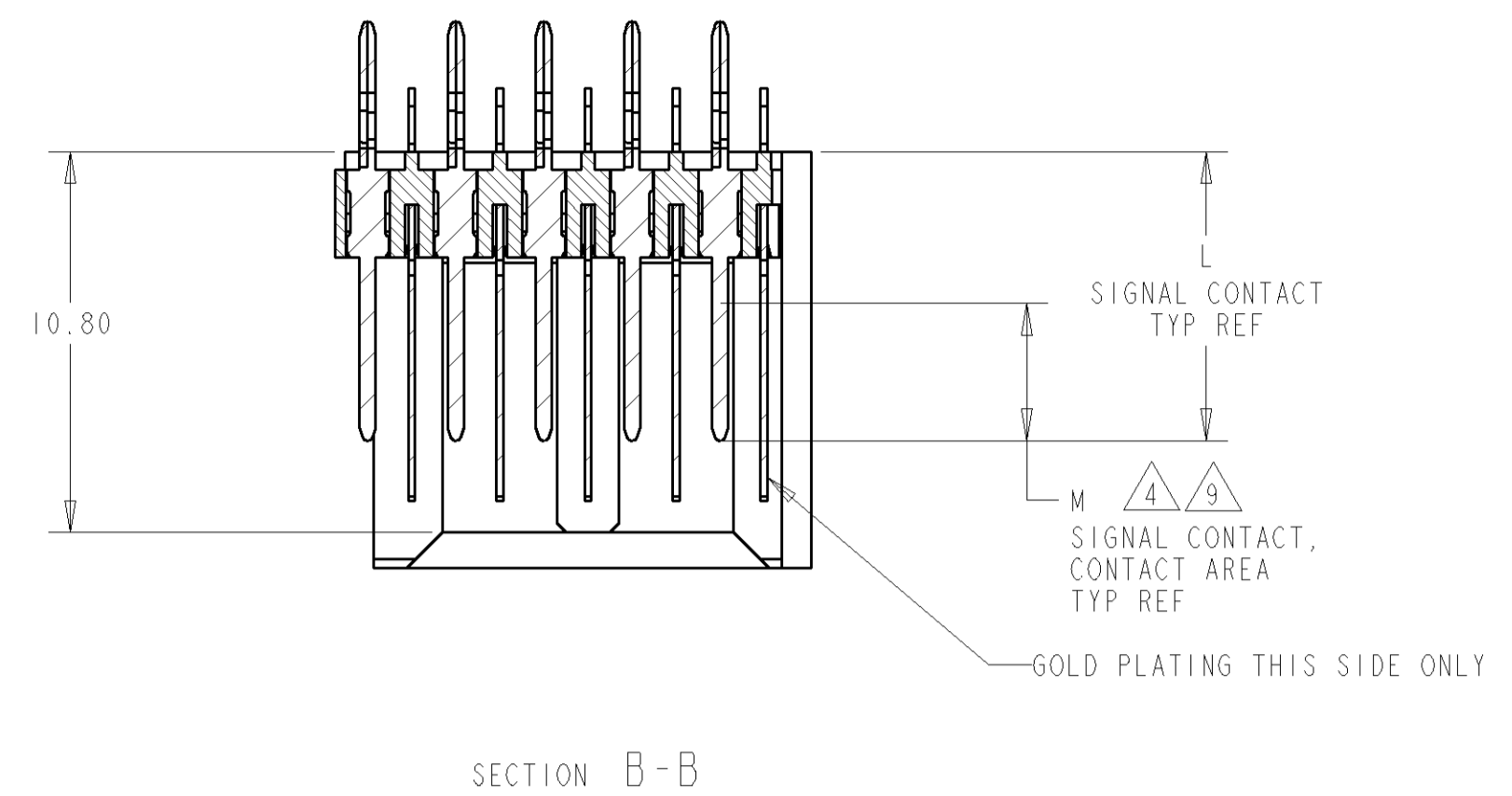
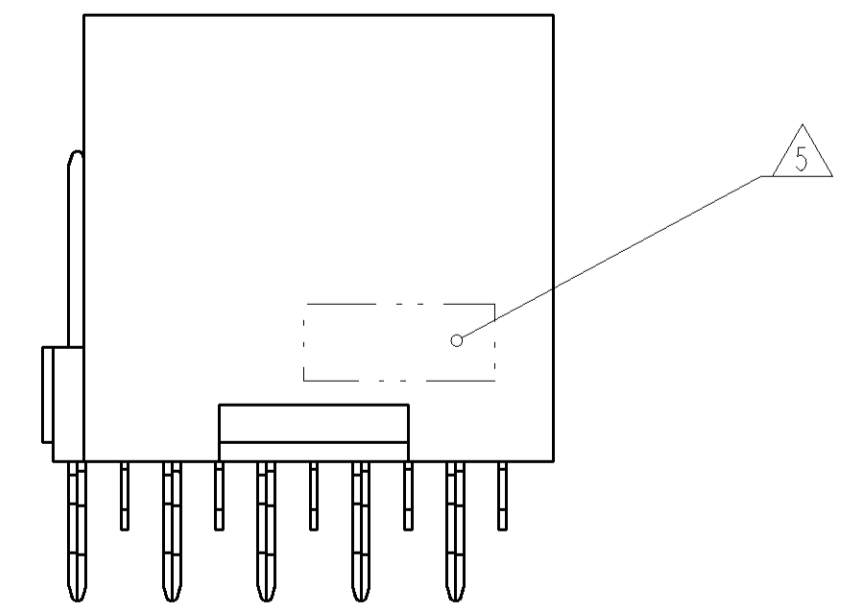


LOC	DIST	REV	DATE	BY	APPD
AD	00	0	REV PER EC 0512-0324-04	07DEC2004	BC RP
		01	REV PER ECO-06-024579	18JAN2007	JRP RAP

- 2 PHOSPHOR BRONZE
- 3 LCP, UL94V-0
- 4 0.76µm MIN GOLD OVER 1.27µm MIN NICKEL UNDERPLATE OR GOLD FLASH OVER 0.76µm MIN PALLADIUM-NICKEL OVER 1.27µm MIN NICKEL UNDERPLATE ON CONTACT AREA. 0.76µm MIN TIN LEAD OVER 1.27µm MIN NICKEL ON COMPLIANT PIN AREA
- 5 CONNECTOR MARKED WITH PART NUMBER AND DATE CODE
- 6 REFERENCE APPLICATION SPEC 114-13020 FOR RECOMMENDED PLATED THRU HOLE DIAMETER AND PLATING THICKNESS.
- 7 APPLICATION SEATING HEIGHT TO PRINTED CIRCUIT BOARD
- 8 DATUMS AND BASIC DIMENSIONS ESTABLISHED BY CUSTOMER
- 9 CONTACT AREA LUBRICATED WITH BELLCORE APPROVED LUBRICANT TECHNICAL REFERENCE: GR-1217-CORE, ISSUE 1, NOVEMBER 1995



RECOMMENDED  
 PRINTED CIRCUIT BOARD  
 LAYOUT  
 COMPONENT SIDE OF PRINTED CIRCUIT BOARD



5.30	9.7	5120747-2
3.90	8.2	5120747-1
M	L	PART NUMBER

DIMENSIONS: mm 		TOLERANCES UNLESS OTHERWISE SPECIFIED: 0 PLC ± 1 PLC ±0.13 2 PLC ±0.05 3 PLC ± 4 PLC ± ANGLES ±		DWN B CARBO 07DEC04 ENR R PATTERSON 07DEC04 APVD R PATTERSON 07DEC04 PRODUCT SPEC APPLICATION SPEC WEIGHT CUSTOMER DRAWING		<b>tyco</b> <b>Electronics</b> Tyco Electronics Harrisburg, PA 17105-3608	
MATERIAL HOUSING: 3 CONTACTS: 2 SIGNAL CONTACT: 4		FINISH WEIGHT CUSTOMER DRAWING		NAME HEATER ASSEMBLY, 50 POSITION, 10 ROW, BACKPLANE CONNECTOR, Z-PACK HS3		SIZE CAGE CODE DRAWING NO RESTRICTED TO A1 00779 C=5120747 SCALE 5:1 SHEET 1 OF 1 REV 01	