

This document was generated on 04/22/2010

PLEASE CHECK WWW.MOLEX.COM FOR LATEST PART INFORMATION

Part Number: [0387006314](#)
Status: **Active**
Description: 8.26mm (.325") Pitch Beau™ PCB Terminal Strip, without Mounting Ends, 14 Circuits

Documents:

[3D Model](#) [RoHS Certificate of Compliance \(PDF\)](#)
[Drawing \(PDF\)](#)

General

Product Family	Terminal Blocks
Series	38700
Application	Wire-to-Board
Component Type	One Piece
Product Name	Fixed Mount Barrier
Type	Barrier Strip

Physical

Circuits (Loaded)	14
Circuits (maximum)	14
Color - Resin	Black
Entry Angle	Horizontal
Lock to Mating Part	None
Material - Metal	Brass
Material - Plating Mating	Tin
Material - Plating Termination	Tin
Material - Resin	Polyester
Number of Rows	1
Orientation	Horizontal
PC Tail Length (in)	0.140 In
PC Tail Length (mm)	3.56 mm
PCB Retention	None
Panel Mount	No
Pitch - Mating Interface (in)	0.325 In
Pitch - Mating Interface (mm)	8.26 mm
Pitch - Term. Interface (in)	0.325 In
Pitch - Term. Interface (mm)	8.25 mm
Plating min: Mating (µin)	150
Plating min: Mating (µm)	3.75
Plating min: Termination (µin)	150
Plating min: Termination (µm)	3.75
Polarized to Mating Part	No
Shrouded	Dual-Barrier
Stackable	Yes
Surface Mount Compatible (SMC)	No
Temperature Range - Operating	-40°C to +130°C
Termination Interface: Style	Through Hole
Wire Size AWG	14, 16, 18, 20, 22
Wire Size mm²	0.50 - 1.50

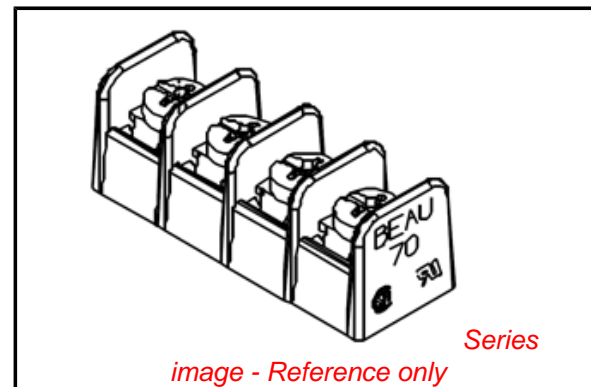
Electrical

Current - Maximum per Contact	15A
Voltage - Maximum	300V

Solder Process Data

Lead-free Process Capability	Wave Capable (TH only)
------------------------------	------------------------

Material Info



EU RoHS

ELV and RoHS Compliant
REACH SVHC
 Not Reviewed
Halogen-Free Status
Not Reviewed

China RoHS



Need more information on product environmental compliance?

Email productcompliance@molex.com
 For a multiple part number RoHS Certificate of Compliance, [click here](#)

Please visit the [Contact Us](#) section for any non-product compliance questions.

Search Parts in this Series
[38700Series](#)

Mates With
 N/A

Old Part Number

70514-C

www.D919216610.com

Reference - Drawing Numbers

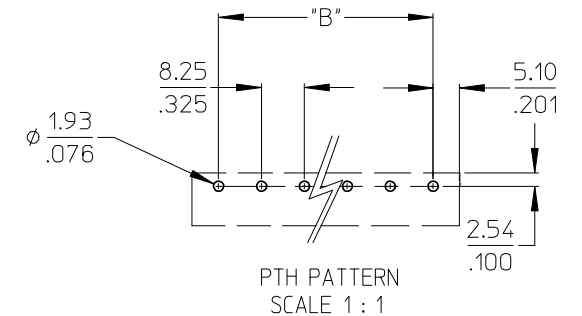
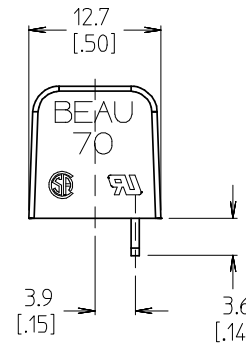
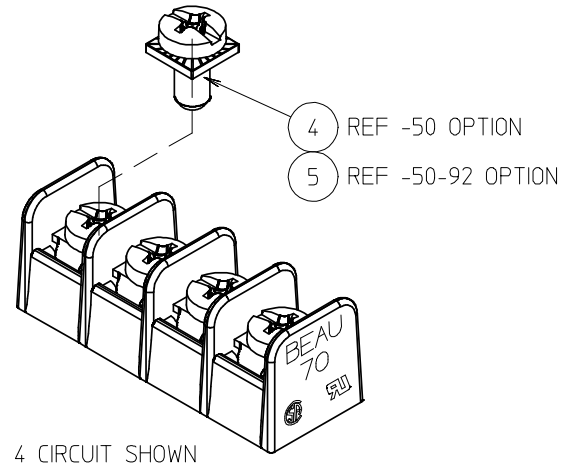
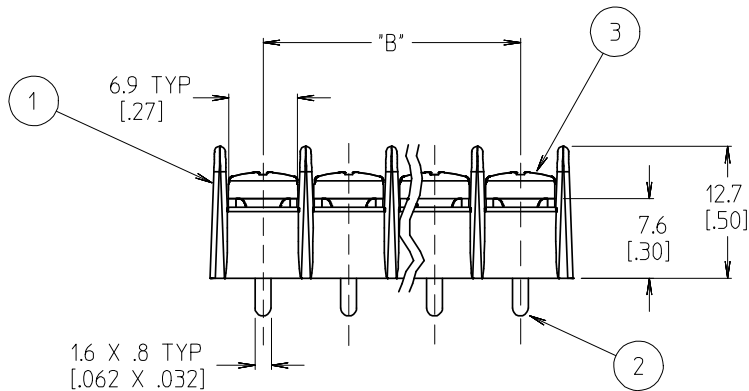
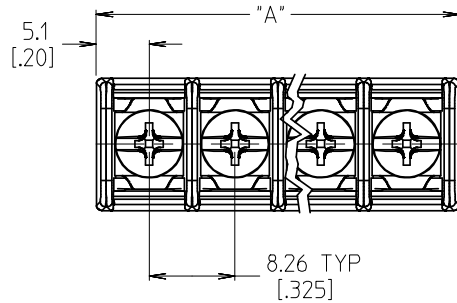
Sales Drawing

SD-38700-001

This document was generated on 04/22/2010

PLEASE CHECK WWW.MOLEX.COM FOR LATEST PART INFORMATION

www.D919216610.com



NOTES:

1. MATERIAL: SEE TABLE.
2. FINISHES: SEE TABLE.
3. PRODUCT SPECIFICATION: NOT REQUIRED.
4. INCH DIMENSIONS ARE SHOWN IN BRACKETS [XXX].
5. "XX" REFERS TO THE QUANTITY OF CIRCUITS POSITIONS.
6. MATERIAL NUMBER 387090319 IS THE SAME AS MATERIAL NUMBER 387007516, EXCEPT BY THE SPECIAL PACKING.
7. ROHS COMPLIANT

ITEM	QTY	DESCRIPTION	MATERIAL	FINISH
5	"XX"	SCREW, #6-32, PAN HD, PH-SL, W/SQ WSHR (-50-92)	STEEL	ZN, NOKROM COATING
4	"XX"	SCREW, #6-32, PAN HD, PH-SL, W/SQ WSHR (-50)	STEEL	ZN, CLEAR CHROMATE
3	"XX"	SCREW, #6-32, PAN HD, PH-SL (STANDARD)	STEEL	ZN, CLEAR CHROMATE
2	"XX"	TERMINAL	BRASS	TIN
1	1	BARRIER	THERMOPLASTIC	BLACK

ADD 1 CIRC. OPTION
 EC NO: WNA2008-0019
 DRAWN: JENCINAS 2008/01/23
 CHKD: CYORK 2008/01/24
 APPR: JMACNEIL 2008/01/24

QUALITY SYMBOLS

GENERAL TOLERANCES (UNLESS SPECIFIED)

	mm	INCH
4 PLACES	±---	±---
3 PLACES	±---	±.005
2 PLACES	±0.13	±.01
1 PLACE	±0.3	±---

ANGULAR ± 2 °

DRAFT WHERE APPLICABLE MUST REMAIN WITHIN DIMENSIONS

DIMENSION STYLE
 MM/IN

DRAWN BY: R. KEMP
 DATE: 2003/07/16

CHECKED BY: R. STONE
 DATE: 2003/07/16

APPROVED BY: P. WALTZ
 DATE: 2003/07/17

MATERIAL NO. SEE CHART

SIZE B

SCALE 2:1
 DESIGN UNITS INCH
 THIRD ANGLE PROJECTION

TITLE
 8.26/.325 SR BTS ASSY, PC, NO MTG ENDS

MOLEX INCORPORATED

DOCUMENT NO. SD-38700-001
 SHEET NO. 1 OF 2

THIS DRAWING CONTAINS INFORMATION THAT IS PROPRIETARY TO MOLEX INCORPORATED AND SHOULD NOT BE USED WITHOUT WRITTEN PERMISSION

NUMBER OF CIRCUITS "XX"	DIM "A"	DIM "B"	STANDARD MATERIAL NO.	-50 OPTION MATERIAL NO.	-50-92 OPTION MATERIAL NO.	BARRIER MATERIAL NO.
01	10.2 [.40]	-	387006301	387007501	-	387080034
02	18.5 [.73]	8.26 [.325]	387006302	387007502	387090370	387080035
03	26.9 [1.06]	16.51 [.650]	387006303	387007503	-	387080036
04	35.1 [1.38]	24.77 [.975]	387006304	387007504	-	387080037
05	43.2 [1.70]	33.02 [1.300]	387006305	387007505	-	387080038
06	51.2 [2.03]	41.28 [1.625]	387006306	387007506	-	387080039
07	59.7 [2.35]	49.53 [1.950]	387006307	387007507	-	387080040
08	68.1 [2.68]	57.79 [2.275]	387006308	387007508	387090371	387080041
09	76.2 [3.00]	66.04 [2.600]	387006309	387007509	-	387080042
10	84.6 [3.33]	74.30 [2.925]	387006310	387007510	-	387080043
11	92.7 [3.65]	82.55 [3.250]	387006311	387007511	-	387080044
12	101.0 [3.98]	90.81 [3.575]	387006312	387007512	-	387080045
13	109.2 [4.30]	99.06 [3.900]	387006313	387007513	-	387080046
14	117.5 [4.63]	107.32 [4.225]	387006314	387007514	-	387080047
15	125.7 [4.95]	115.57 [4.550]	387006315	387007515	-	387080048
16	134.0 [5.28]	123.83 [4.875]	387006316	387007516	387090368	387080049
17	142.2 [5.60]	132.80 [5.200]	387006317	387007517	-	387080050
18	150.5 [5.93]	140.34 [5.525]	387006318	387007518	-	387080051
19	158.8 [6.25]	148.59 [5.850]	387006319	387007519	-	387080052
20	167.0 [6.58]	156.85 [6.175]	387006320	387007520	-	387080053
21	175.3 [6.90]	165.10 [6.500]	387006321	387007521	-	387080054
22	183.5 [7.23]	173.36 [6.825]	387006322	387007522	-	387080055
23	191.8 [7.55]	181.61 [7.150]	387006323	387007523	-	387080056
24	200.0 [7.88]	189.87 [7.475]	387006324	387007524	387090372	387080057
25	208.3 [8.20]	198.12 [7.800]	387006325	387007525	-	387080058
26	216.5 [8.53]	206.38 [8.125]	387006326	387007526	-	387080059
27	224.8 [8.85]	214.63 [8.450]	387006327	387007527	-	387080060
28	233.0 [9.18]	222.89 [8.775]	387006328	387007528	-	387080061
29	241.3 [9.50]	231.14 [9.100]	387006329	387007529	-	387080062
30	249.6 [9.83]	239.40 [9.425]	387006330	387007530	387090373	387080063

MAT. #387090319 IS THE SAME AS 387007516 (SEE NOTE 6, SHEET #1)

www.DataSheet4U.com

SEE SHEET 1 EC NO: WNA2008-0019 DRWN: ENCINAS 2008/01/23 CHKD: CYORK 2008/01/24 APPR: JMACNEIL 2008/01/24 REV DESCRIPTION	QUALITY SYMBOLS	GENERAL TOLERANCES (UNLESS SPECIFIED)		DIMENSION STYLE		SCALE	DESIGN UNITS	THIRD ANGLE PROJECTION
	▽=0	mm INCH		MM/IN		2:1	INCH	
	∇=0	4 PLACES ± --- ± ---	3 PLACES ± --- ± .005	DRAWN BY	DATE	TITLE		
		2 PLACES ± 0.13 ± .01	1 PLACE ± 0.3 ± ---	R. KEMP	2003/07/16	8.26/.325 SR BTS ASSY, PC, NO MTG ENDS		
	ANGULAR ± 2 °	DRAFT WHERE APPLICABLE MUST REMAIN WITHIN DIMENSIONS		CHECKED BY	DATE	MOLEX INCORPORATED		
				R. STONE	2003/07/16	DOCUMENT NO.		
				APPROVED BY	DATE	SHEET NO.		
				P. WALTZ	2003/07/17	2 OF 2		
				MATERIAL NO.		SD-38700-001		
				SIZE		THIS DRAWING CONTAINS INFORMATION THAT IS PROPRIETARY TO MOLEX INCORPORATED AND SHOULD NOT BE USED WITHOUT WRITTEN PERMISSION		
				B		www.DataSheet4U.com		