

**FEATURES AND SPECIFICATIONS**
**Features and Benefits**

- Very low profile — about 3/4 that of industry standard
- Automatic placement possible
- Foot pattern identical to industry standard
- High reliability, square contact

**Reference Information**

Product Specification: PS-95001-E  
 Packaging: Tray  
 UL File No.: 89082  
 CSA File No.: 89083  
 Mates With: FCC 68 plugs  
 Designed In: Millimeters

**Electrical**

Voltage: 125V  
 Current: 1.5A  
 Contact Resistance: 20mΩ max.  
 Dielectric Withstanding Voltage: 1000V  
 Insulation Resistance: 500 MΩ min.

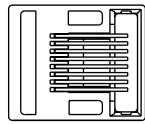
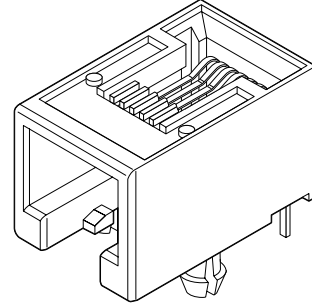
**Physical**

Housing: Black polyester, UL 94V-0  
 Contact: Phosphor Bronze  
 Plating: Post plate 1.27 to 1.52μm (50 to 60μ") Gold in contact area, 1.90μm (75μ") min. (90/10) Tin/Lead in tail area both over Nickel overall  
 Temperature: -40 to +80°C

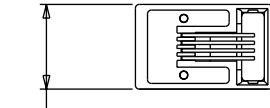
# 95001

## Right Angle

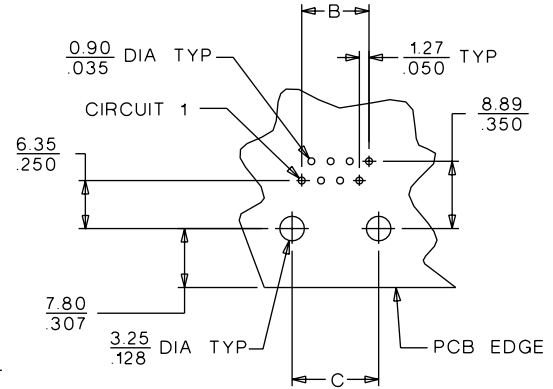
## Low Profile



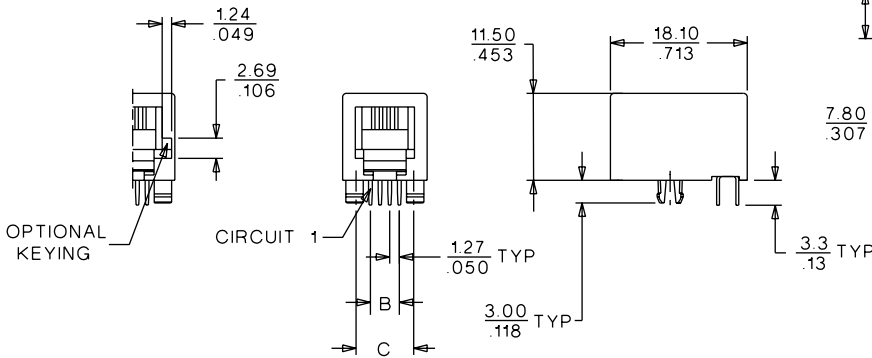
8 AND 6 VERSION



4 VERSION ONLY



PCB LAYOUT: COMPONENT SIDE  
 RECOMMENDED PCB THICKNESS: 1.57  
 .062


**ORDERING INFORMATION AND DIMENSIONS**

Circuits	Loaded Contacts	Order No.	Key	Dimension		
				A	B	C
4	4	• 95001-2441	No	11.18 (.440)	3.81 (.150)	7.62 (.300)
6	4	• 95001-2641	No	13.21 (.520)	3.81 (.150)	10.16 (.400)
6	6	• 95001-2661	No	13.21 (.520)	6.35 (.250)	10.16 (.400)
8*	4	• 95001-9841	No	15.24 (.600)	8.89 (.350)	11.43 (.450)
8	8	• 95001-2881	No	15.24 (.600)	8.89 (.350)	11.43 (.450)
8	8	• 95001-2882	Yes	15.24 (.600)	8.89 (.350)	11.43 (.450)

• US Standard Product, available through Molex franchised distributors

\* Power Jack, contacts 1, 2, 7, 8 loaded only