

Silicon PNP Power Transistors

BD534/536/538

DESCRIPTION

www.datasheet4u.com

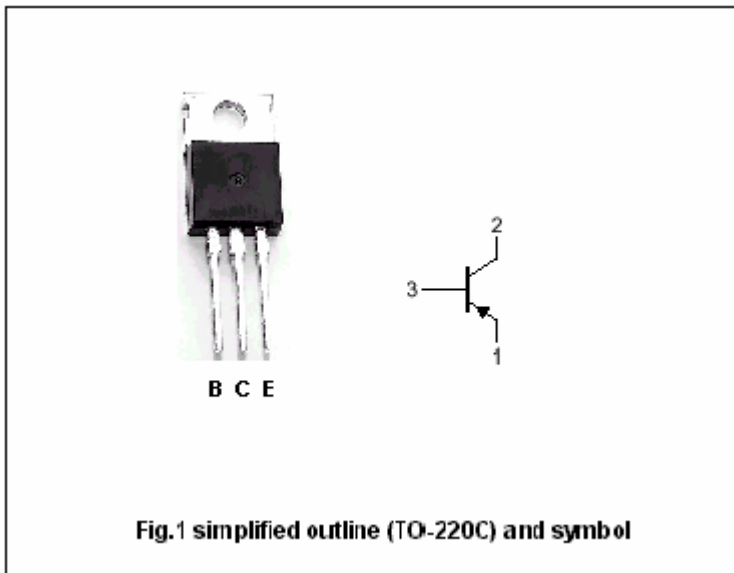
- With TO-220C package
- Complement to type BD533/535/537
- Low saturation voltage

APPLICATIONS

- For medium power linear and switching applications

PINNING

PIN	DESCRIPTION
1	Emitter
2	Collector;connected to mounting base
3	Base



Absolute maximum ratings (Ta=25°C)

SYMBOL	PARAMETER	CONDITIONS	VALUE	UNIT
V _{CBO}	Collector-base voltage	BD534	-45	V
		BD536	-60	
		BD538	-80	
V _{CEO}	Collector-emitter voltage	BD534	-45	V
		BD536	-60	
		BD538	-80	
V _{EBO}	Emitter-base voltage	Open collector	-5	V
I _C	Collector current		-8	A
I _E	Emitter current		-8	A
I _B	Base current		-1	A
P _C	Collector power dissipation	T _C =25°C	50	W
T _j	Junction temperature		150	°C
T _{stg}	Storage temperature		-65~150	°C

Silicon PNP Power Transistors

BD534/536/538

CHARACTERISTICS

www.datasheet4u.com

T_j=25 °C unless otherwise specified

SYMBOL	PARAMETER	CONDITIONS	MIN	TYP.	MAX	UNIT	
V _{CEsat-1}	Collector-emitter saturation voltage	I _C =-2 A; I _B =-0.2 A			-0.8	V	
V _{CEsat-2}	Collector-emitter saturation voltage	I _C =-6 A; I _B =-0.6 A		-0.8		V	
V _{BE}	Base-emitter on voltage	I _C =-2A ; V _{CE} =-2V			-1.5	V	
I _{CBO}	Collector cut-off current	BD534			-0.1	mA	
		BD536					V _{CB} =-60V; I _E =0
		BD538					V _{CB} =-80V; I _E =0
I _{CES}	Collector cut-off current	BD534			-0.1	mA	
		BD536					V _{CE} =-60V; V _{BE} =0
		BD538					V _{CE} =-80V; V _{BE} =0
I _{EBO}	Emitter cut-off current	V _{EB} =5V; I _C =0			-1	mA	
h _{FE-1}	DC current gain	BD534/536	I _C =-10mA ; V _{CE} =-5V				
		BD538					20
h _{FE-2}	DC current gain	I _C =-0.5A ; V _{CE} =-2V	40				
h _{FE-3}	DC current gain (All device)	Group: J	I _C =-2A ; V _{CE} =-2V		75		
		Group: K					30
h _{FE-4}	DC current gain (All device)	Group: J	I _C =-3A ; V _{CE} =-2V				
		Group: K					40
f _T	Transition frequency	I _C =-0.5A ; V _{CE} =-1V	3	12		MHz	

Silicon PNP Power Transistors

BD534/536/538

PACKAGE OUTLINE

www.datasheet4u.com

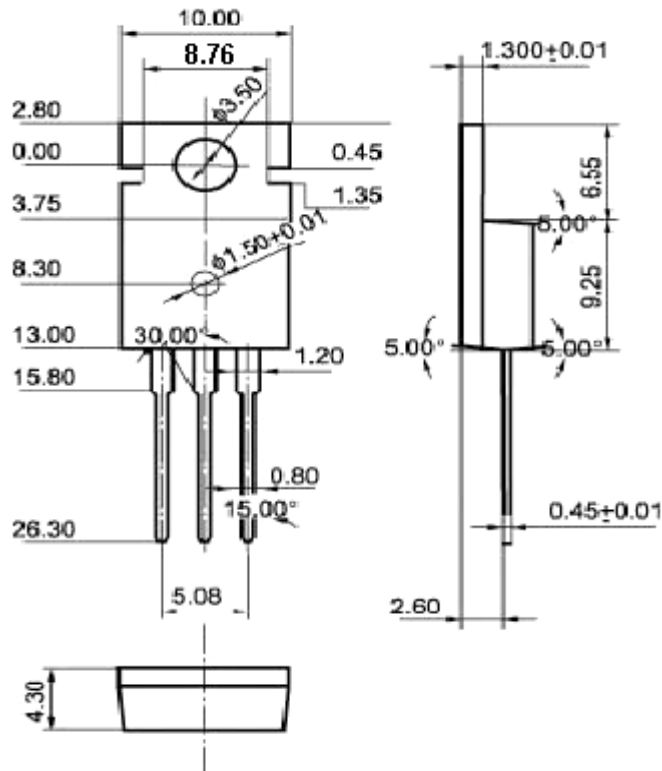


Fig.2 Outline dimensions (unindicated tolerance: ± 0.10 mm)