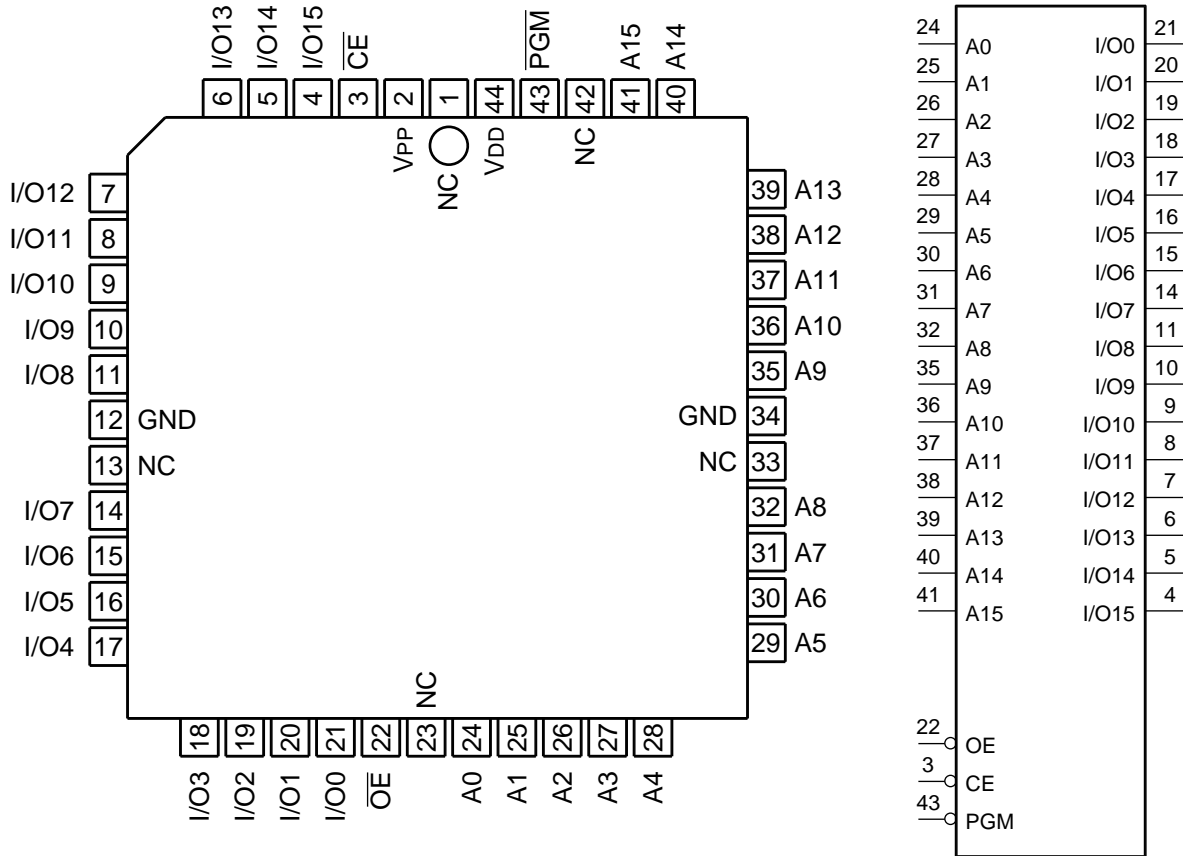


C-MOS 1M (65,536 × 16)-BIT EPROM

—TOP VIEW—



- A0 - A15 ; ADDRESS INPUT
- \overline{CE} ; CHIP ENABLE
- \overline{OE} ; OUTPUT ENABLE
- PGM ; PROGRAM ENABLE
- I/O0 - I/O15 ; DATA INPUTS/OUTPUTS

