

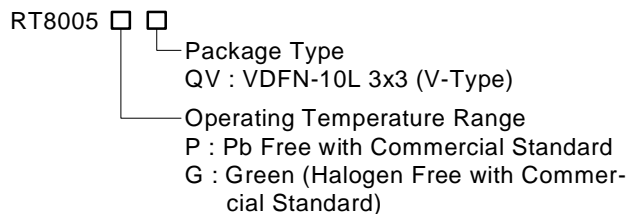
# 1A, 2MHz, High-Efficiency Synchronous Buck PWM Converter

## General Description

The RT8005 is a high-efficiency synchronous buck PWM converter with integrated P-Channel and N-Channel power MOSFET switches. Capable of delivering 1A output current over a wide input voltage range of 2.4V to 5.5V, the RT8005 is ideally suited for portable applications powered by a single Li-Ion battery or by 3-cell NiMH/NiCd batteries. The device operates at 2MHz PWM switching fixed frequency, can use smaller C<sub>IN</sub>, C<sub>OUT</sub> capacitor and inductor.

The RT8005 integrates two low R<sub>DS(ON)</sub> 230mΩ and 180mΩ of high- and low-side switching MOSFETs to reduce board space, as only resistors and capacitors along with one inductor are required externally for operation. The RT8005 has adjustable output range down to 0.5V. The other features include internal soft-start, chip enable, over-temperature and over-current protections. It is available in a space-saving VDFN-10L 3x3 package.

## Ordering Information



Note :

Richtek Pb-free and Green products are :

- }RoHS compliant and compatible with the current requirements of IPC/JEDEC J-STD-020.
- }Suitable for use in SnPb or Pb-free soldering processes.
- }100% matte tin (Sn) plating.

## Marking Information

For marking information, contact our sales representative directly or through a Richtek distributor located in your area, otherwise visit our website for detail.

## Features

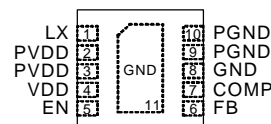
- | 2.4V to 5.5V Input Voltage Range
- | Adjustable Output from 0.5V to V<sub>IN</sub>
- | Guaranteed 1A Output Current
- | Accurate Reference : 0.5V (±1.5%)
- | Up to 90% Conversion Efficiency
- | Typical Quiescent Current : 200mA
- | Integrated Low R<sub>DS(ON)</sub> High- and Low-Side Power MOSFET Switches : 230mW and 180mW
- | Current Mode PWM Operation
- | Fixed Frequency : 2MHz
- | 100% Maximum Duty Cycle for Lowest Dropout
- | Internal Soft-Start
- | No Schottky Diode Required
- | Over-Temperature and Over-Current Protection
- | Small 10-Lead VDFN 3x3 Package
- | RoHS Compliant and 100% Lead (Pb)-Free

## Applications

- | Battery-Powered Equipments
- | Low Power CPU and DSP Supplies
- | Digital Cameras and Hard Disks
- | Portable Instruments and Notebook Computers
- | Cellular Phones, PDAs, and Handheld PCs
- | USB-Based DSL Modems and Other Network Interface Cards

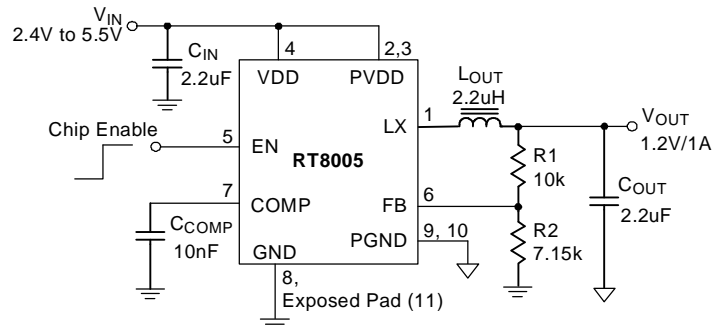
## Pin Configurations

(TOP VIEW)



VDFN-10L 3x3

## Typical Application Circuit



www.DataSheet4U.com

Recommended component selection for Typical Application Circuit.

V <sub>OUT</sub> (V)	V <sub>IN</sub> (V)	C <sub>IN</sub> (uF)	C <sub>OUT</sub> (uF)	L <sub>OUT</sub> (uH)	R1 (kΩ)	R2 (kΩ)	C <sub>COMP</sub> (nF)
0.5	2.4 to 5.5	2.2	2.2/4.7	2.2	10	Open	10
1	2.4 to 5.5	2.2	2.2/4.7	2.2	10	10	10
1.2	2.4 to 5.5	2.2	2.2/4.7	2.2	10	7.15	10
1.8	2.4 to 5.5	2.2	2.2/4.7	2.2	10	3.83	10
2.5	3.3 to 5.5	2.2	2.2/4.7	2.2	10	2.49	10
3.3	4.2 to 5.5	2.2	2.2/4.7	2.2	10	1.78	10

### Suggested Inductors

Component Supplier	Series	Inductance (μH)	DCR (mΩ)	Current Rating (mA)	Dimensions (mm)
ABC	SR0403	2.2	47	2600	4.5x4x3.2
Sumida	CDRH3D16	2.2	59	1750	4x4x1.8
GOTREND	GTSD53	2.2	29	2410	5x5x2.8

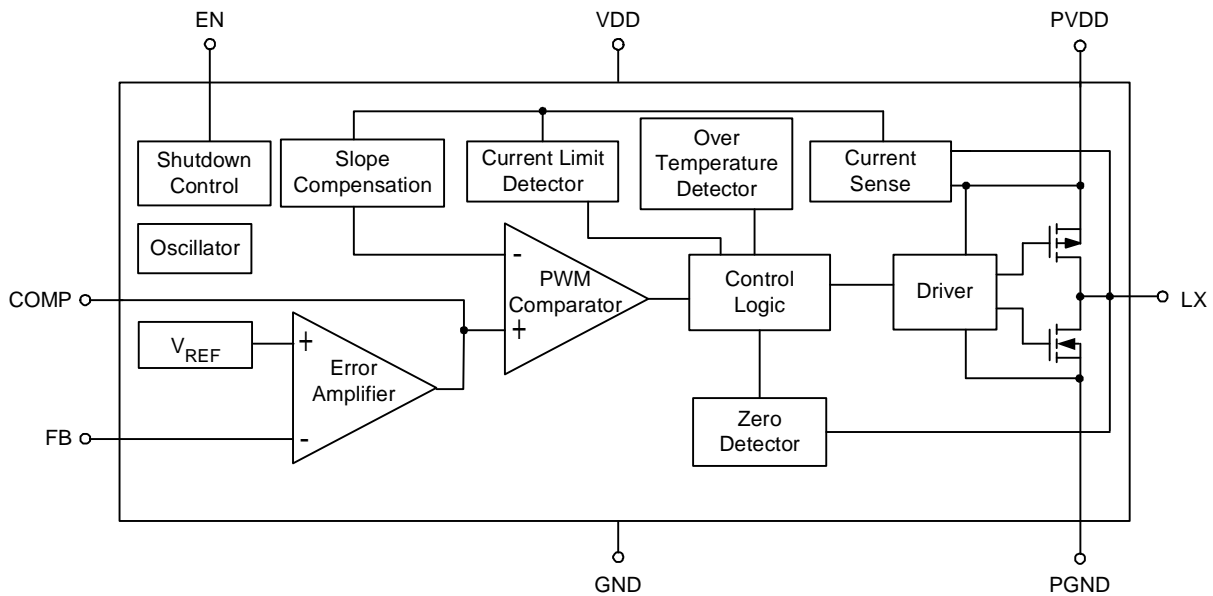
### Suggested Capacitors For C<sub>IN</sub> and C<sub>OUT</sub>

Component Supplier	Part No.	Capacitance (uF)	Case Size
TDK	C1608X5R1A225M	2.2	0603
Panasonic	ECJ1VB0J225M	2.2	0603
TAIYO YUDEN	JMK107BJ225M	2.2	0603

**Functional Pin Description**

Pin No.	Pin Name	Pin Function
1	LX	Internal Power MOSFET Switches Output. Connect this pin to the inductor.
2, 3	PVDD	Power Input Supply. Decouple this pin to PGND with a capacitor.
4	VDD	Signal Input Supply. Decouple this pin to GND with a capacitor. Normally VDD is equal to PVDD.
5	EN	Chip Enable (Active High). Logic low shuts down the converter. Floating this pin is forbidden.
6	FB	Switcher Feedback Voltage. This pin is the inverting input of the error amplifier. FB senses the switcher output through an external resistor divider network. FB regulation voltage is 0.5V.
7	COMP	Compensation Input. This pin is the output of the internal error amplifier. Connect an external capacitor to compensate the regulator controlled loop.
8, Exposed Pad (11)	GND	Signal Ground. All small-signal components, compensation components and the exposed pad on the bottom side of the IC should connect to this ground, which in turn connects to PGND at one point. The exposed pad must be soldered to a large PCB and connected to GND for maximum power dissipation.
9, 10	PGND	Power Ground. Connect this pin close to the terminal of C <sub>IN</sub> and C <sub>OUT</sub> .

**Function Block Diagram**



## Absolute Maximum Ratings (Note 1)

Supply Voltage, PVDD and VDD	-----	-0.3V to 6V
EN, FB Voltage	-----	-0.3V to V <sub>DD</sub>
PGND to GND	-----	-0.3V to 0.3V
LX Voltage	-----	-0.3V to (V <sub>DD</sub> + 0.3V)
Power Dissipation, P <sub>D</sub> @ T <sub>A</sub> = 25°C		
VDFN-10L 3x3	-----	1.923W
Package Thermal Resistance (Note 4)		
VDFN-10L 3x3, θ <sub>JA</sub>	-----	52°C/W
Junction Temperature	-----	150°C
Lead Temperature (Soldering, 10 sec.)	-----	260°C
Storage Temperature Range	-----	-65°C to 150°C
ESD Susceptibility (Note 2)		
HBM (Human Body Mode)	-----	2kV
MM (Machine Mode)	-----	200V

## Recommended Operating Conditions (Note 3)

Supply Voltage, PVDD and VDD	-----	2.4V to 5.5V
Enable Input Voltage, V <sub>EN</sub>	-----	0V to V <sub>DD</sub>
Ambient Temperature Range	-----	-40°C to 85°C
Junction Temperature Range	-----	-40°C to 125°C

## Electrical Characteristics

(V<sub>DD</sub> = 3.3V, T<sub>A</sub> = 25°C, unless otherwise specified)

Parameter	Symbol	Test Conditions	Min	Typ	Max	Units
<b>Supply Current</b>						
Quiescent Current	I <sub>Q</sub>	V <sub>EN</sub> = 3.3V, V <sub>FB</sub> = V <sub>REF</sub> + 0.15V, I <sub>OUT</sub> = 0mA	--	200	400	μA
Shutdown Current	I <sub>SHDN</sub>	V <sub>EN</sub> = 0V	--	0.01	1	μA
<b>Reference</b>						
Reference Voltage	V <sub>REF</sub>		0.4925	0.5	0.5075	V
<b>Oscillator</b>						
Switching Frequency Range	f <sub>OSC</sub>		1.7	2.0	2.3	MHz
Maximum Duty Cycle	DC	V <sub>PVDD</sub> = V <sub>OUT</sub>	100	--	--	%
<b>Output Voltage</b>						
Line Regulation		V <sub>DD</sub> = 2.4V to 5.5V, I <sub>LOAD</sub> = 100mA	--	--	+1.5	%
Load Regulation		10mA < I <sub>LOAD</sub> < 600mA	--	--	+1.5	%
<b>Power Switches</b>						
R <sub>DS(ON)</sub> of P-Channel MOSFET	R <sub>P_FET</sub>	V <sub>PVDD</sub> = 3.3V, I <sub>LX</sub> = 300mA	--	230	--	mΩ
R <sub>DS(ON)</sub> of N-Channel MOSFET	R <sub>N_FET</sub>	V <sub>PVDD</sub> = 3.3V, I <sub>LX</sub> = -300mA	--	180	--	mΩ
Current Limit	I <sub>LIMIT</sub>	V <sub>PVDD</sub> = 3.3V, V <sub>FB</sub> = V <sub>REF</sub> - 0.15V	--	1.8	--	A

*To be continued*

Parameter		Symbol	Test Conditions	Min	Typ	Max	Units
<b>Logic Input</b>							
EN Threshold	Logic-Low Voltage	$V_{IL}$	$V_{DD} = 2.4V$ to $5.5V$ , Shutdown	--	--	0.4	V
	Logic-High Voltage	$V_{IH}$	$V_{DD} = 2.4V$ to $5.5V$ , Enable	1.5	--	--	
<b>Protection</b>							
Thermal Shutdown Temperature		$T_{SD}$		--	180	--	°C
Thermal Shutdown Hysteresis		$\Delta T_{SD}$		--	20	--	°C

**Note 1.** Stresses listed as the above "Absolute Maximum Ratings" may cause permanent damage to the device. These are for stress ratings. Functional operation of the device at these or any other conditions beyond those indicated in the operational sections of the specifications is not implied. Exposure to absolute maximum rating conditions for extended periods may remain possibility to affect device reliability.

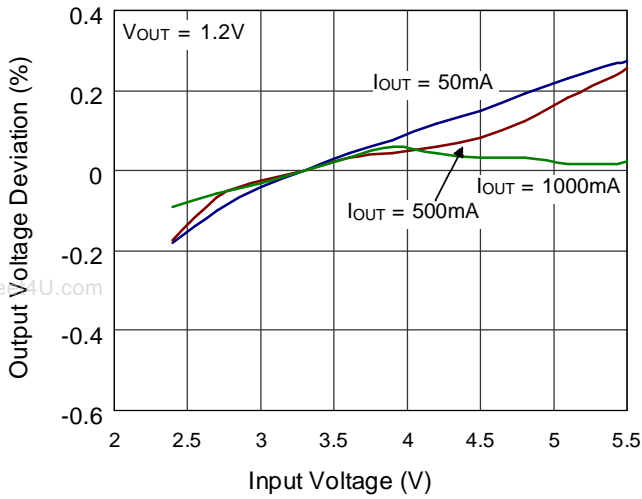
**Note 2.** Devices are ESD sensitive. Handling precaution recommended.

**Note 3.** The device is not guaranteed to function outside its operating conditions.

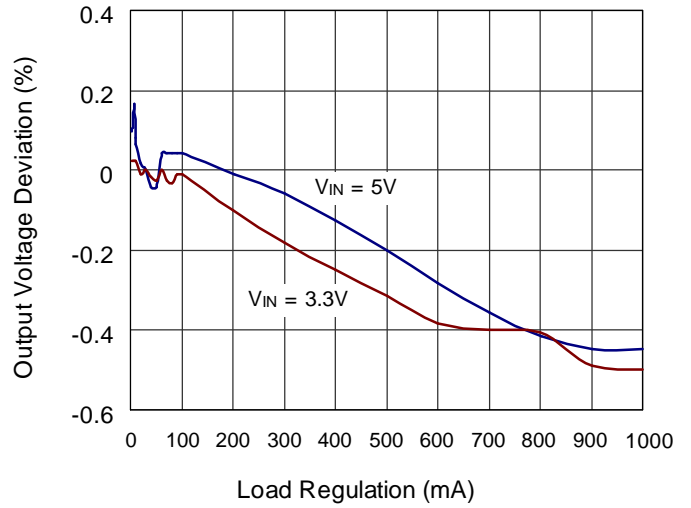
**Note 4.**  $\theta_{JA}$  is measured in the natural convection at  $T_A = 25^\circ C$  on a high effective thermal conductivity test board of JEDEC 51-7 thermal measurement standard.

## Typical Operating Characteristics

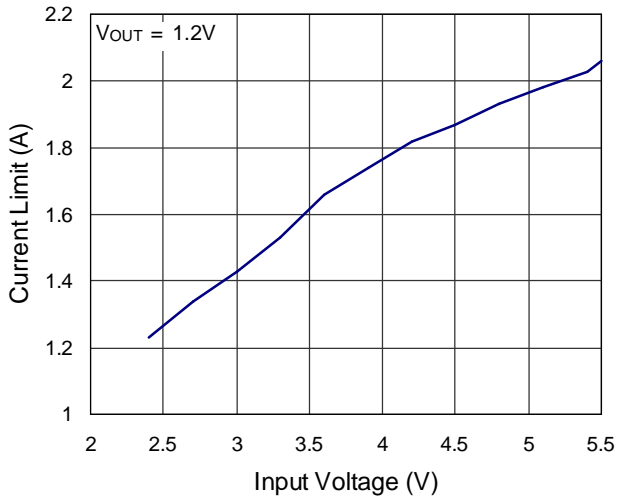
### Line Regulation Deviation



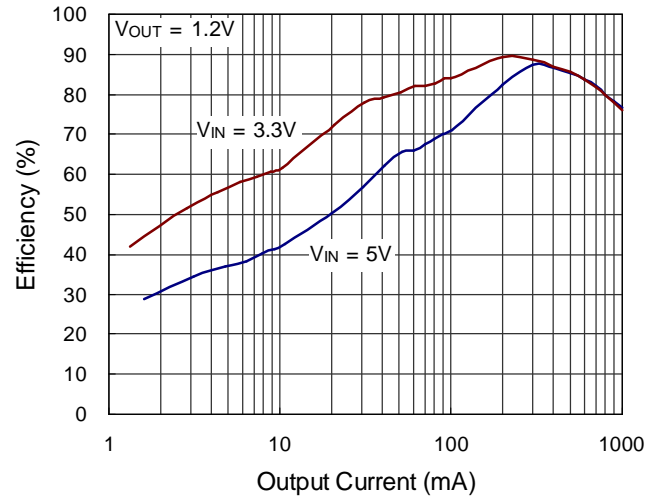
### Load Regulation Deviation



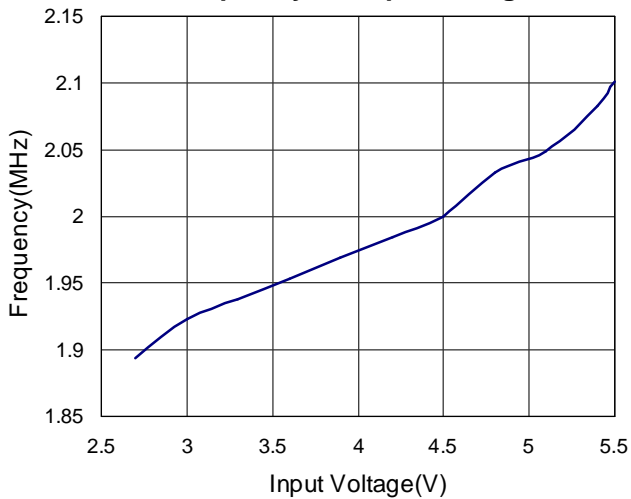
### Current Limit vs. Input Voltage



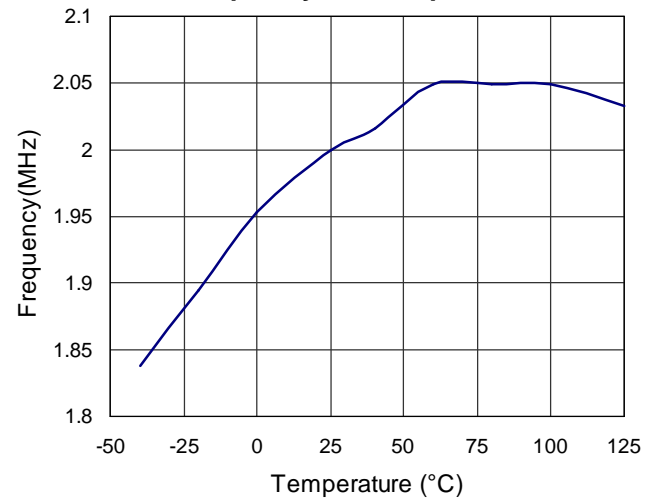
### Efficiency vs. Output Current



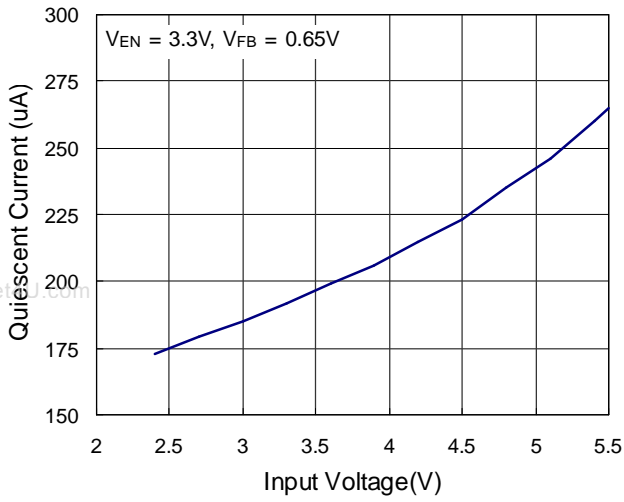
### Frequency vs. Input Voltage



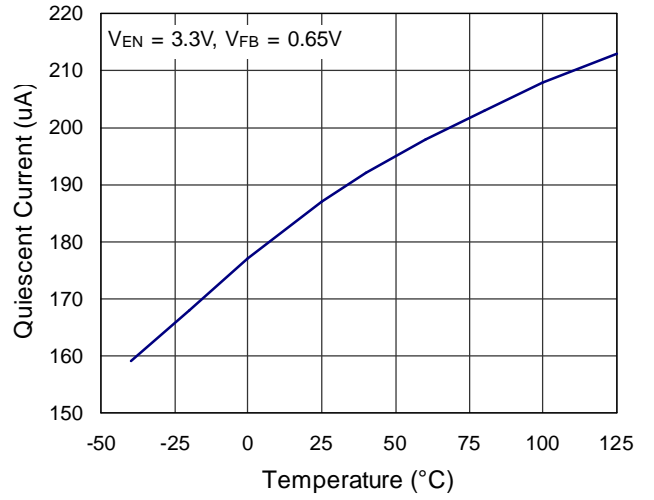
### Frequency vs. Temperature



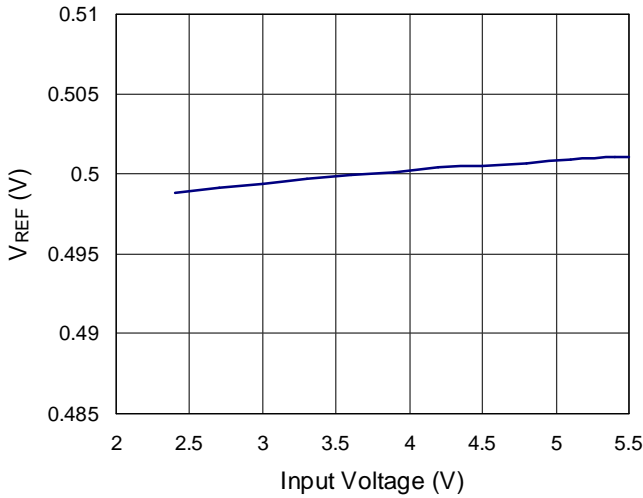
Quiescent Current vs. Input Voltage



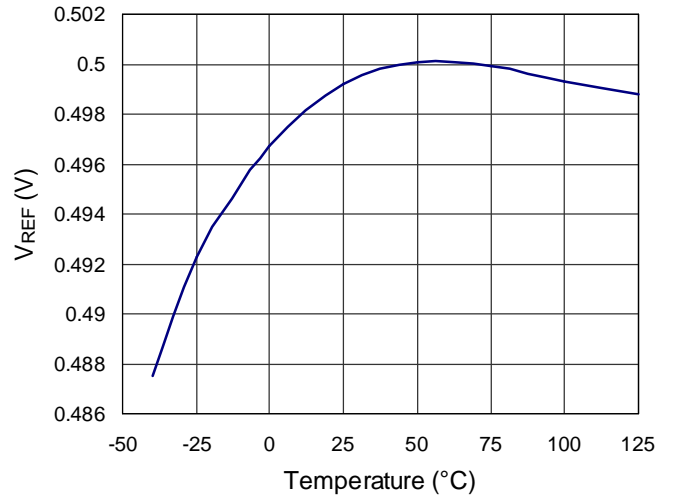
Quiescent Current vs. Temperature



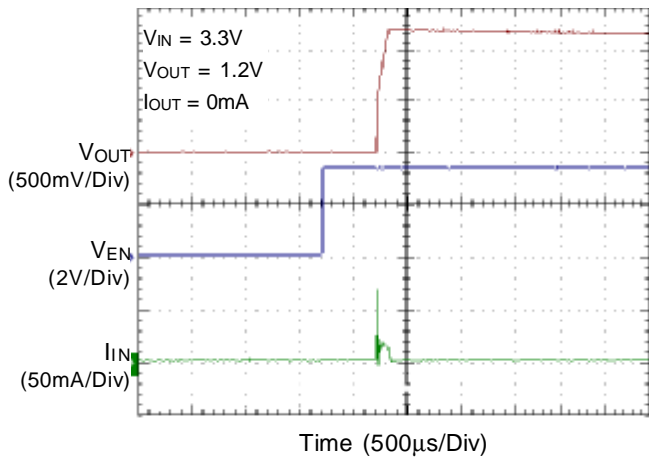
V<sub>REF</sub> vs. Input Voltage



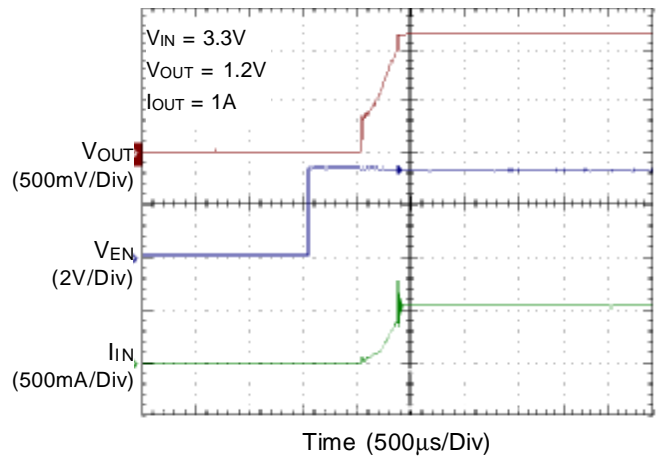
V<sub>REF</sub> vs. Temperature



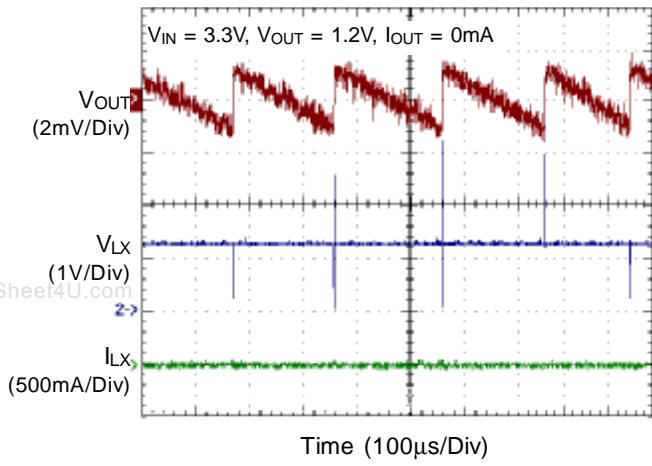
Soft Start Function



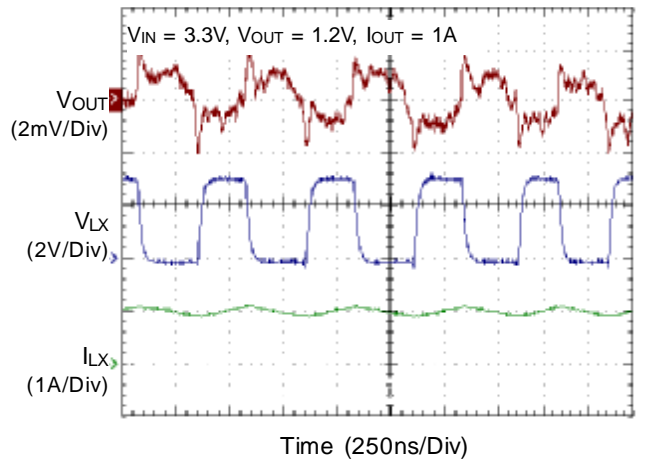
Soft Start Function



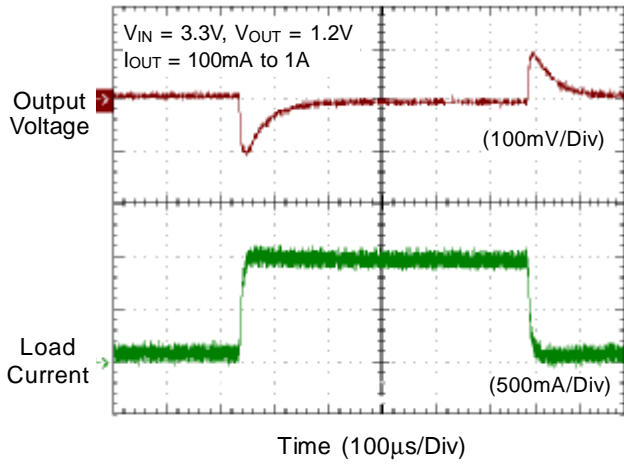
Steady State



Steady State



Load Transient Response





**Application Information**

RT8005 is a pulse-width-modulated (PWM) step-down DC-DC converter. Capable of delivering 1A output current over a wide input voltage range from 2.4V to 5.5V. The RT8005 is ideally suited for portable electronic devices that are powered from 1-cell Li-ion battery or from other power sources within the range such as cellular phones, PDAs and handy terminals.

**Chip Enable/Disable and Soft Start**

Four operational modes are available: PWM, PSM, Low-Drop-Out and shut-down modes. Pulling EN pin lower than 0.4V shuts down the RT8005 and reduces its quiescent current to 1µA. Pulling EN pin higher than 1.5V enables the RT8005 and initiates the softstart cycle. RT8005 has internal soft-start that can reduce the Inrush Current during the rising of Output Voltage.

**PWM Operation**

During normal operation, the RT8005 regulates output voltage by switching at a constant frequency transferring the power to the load in each cycle by PWM. The RT8005 uses a slope-compensated, current-mode PWM controller capable of achieving 100% duty cycle. At each rising edge of the internal oscillator, the Control Logic cell sends a PWM ON signal to the Driver cell to turn on internal P-MOSFET. This allows current to ramp up through the inductor to the load, and stores energy in a magnetic field. The switch remains on until either the current-limit is tripped or the PWM comparator signals for the output in regulation. After the switch is turned off, the inductor releases the magnetic energy and forces current through the N-MOSFET synchronous rectifier to the output-filter capacitor and load. The output-filter capacitor stores charge when the inductor current is above the average output current and releases charge when the inductor current is below the average current to smooth the output voltage across the load. A Zero Detector monitors inductor current by sensing voltage drop across the N-MOSFET synchronous rectifier when it turns on. The N-MOSFET turns off and allows the converter entering discontinuous conduction mode when the inductor current decreases to zero. The zero current detection on threshold is about 80mA. This reduces conduction loss and increase power conversion efficiency at light load condition.

**PSM Operation**

Consequently, the converter will enter pulse-skipping mode (PSM) during extreme light load condition or when modulation index ( $V_{OUT}/V_{IN}$ ) is extreme low. This could reduce switching loss and further increase power conversion efficiency.

**Over Current Protection**

The RT8005 continuously monitors the inductor current by sensing the voltage across the P-MOSFET when it turns on. When the inductor current is higher than current limit threshold (1.8A typical), OCP activates and forces the P-MOSFET turning off to limit inductor current cycle by cycle.

**Output Voltage Setting and Feedback Network**

The output voltage can be set from  $V_{REF}$  to  $V_{IN}$  by a voltage divider as: the internal  $V_{REF}$  is 0.5V with 1.5% accuracy. In practical application, keep  $R1 = 10k\Omega$  respectively and choose appropriate  $R2$  according to the required output voltage.

**Inductor Selection**

The output inductor is suggested as the table of suggested inductors for optimal performance. Make sure that the inductor will not saturate over the operation conditions including temperature range, input voltage range, and maximum output current. If possible, choose an inductor with rated current higher than 2A so that it will not saturate even under short circuit condition.

**Input Capacitor Selection**

The input capacitor can filter the input peak current and noise at input voltage source. The capacitor with low ESR (effective series resistance) provides the small drop voltage to stabilize the input voltage during the transient loading. For input capacitor selection, the ceramic capacitors larger than 2.2µF is recommend. The capacitor must conform to the RMS current requirement. The maximum RMS ripple current is calculated as :

$$I_{RMS} = I_{OUT(MAX)} \frac{\sqrt{V_{OUT} (V_{IN} - V_{OUT})}}{V_{IN}}$$

## Output Capacitor Selection

The capacitor's ESR determines the output ripple voltage and the initial voltage drop following a high slew-rate transient's edge. Typically, if the ESR requirement is satisfied, the capacitance is adequate to filtering. The output ripple voltage can be calculated as :

$$\Delta V_{OUT} = \Delta I_C \left( ESR + \frac{1}{8 \times C_{OUT} \times f_{OSC}} \right)$$

Where  $f_{OSC}$  = operating frequency,  $C_{OUT}$  = output capacitance and  $\Delta I_C = \Delta I_L$  = ripple current in the inductor.

The ceramic capacitor with low ESR value provides the low output ripple and low size profile. Connect a 2.2μF/4.7μF ceramic capacitor at output terminal for good performance and place the input and output capacitors as close as possible to the device.

## Layout Considerations

Follow the PCB layout guidelines for optimal performance of RT8005.

1. For the main current paths as indicated in bold lines in Figure 1, keep their traces short and wide.
2. Put the input capacitor as close as possible to the device pins (PVDD and PGND).
3. LX node is with high frequency voltage swing and should be kept small area. Keep analog components away from LX node to prevent stray capacitive noise pick-up.
4. Connect feedback network behind the output capacitors. Keep the loop area small. Place the feedback components near the RT8005.
5. Connect all analog grounds to a common node and then connect the common node to the power ground behind the output capacitors.
6. An example of 2-layer PCB layout is shown in Figure 2 to Figure 3 for reference.

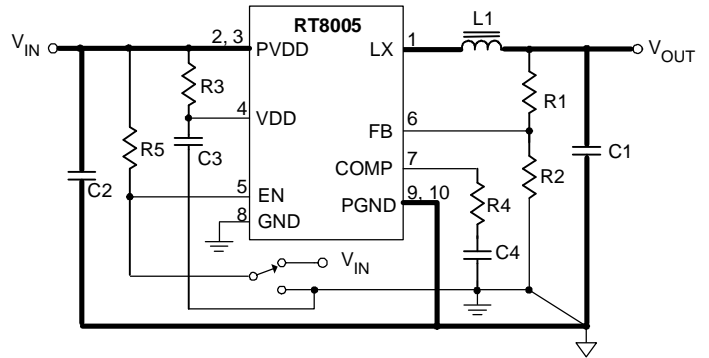


Figure 1

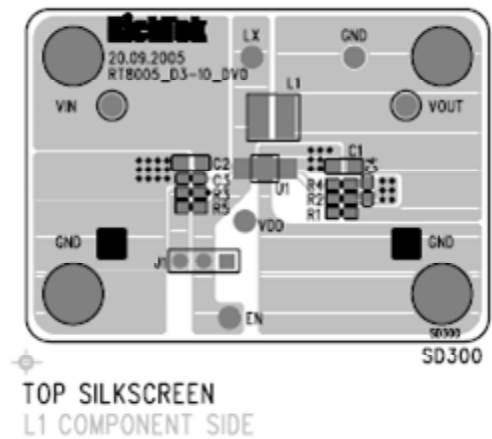


Figure 2. Top Layer

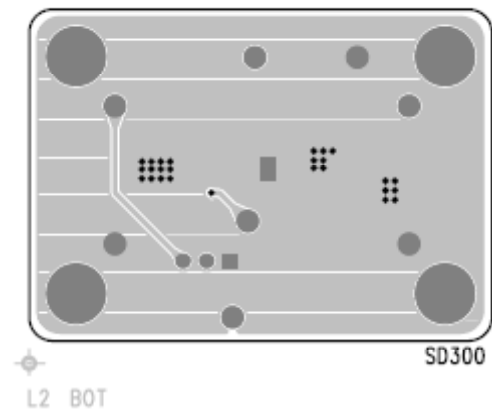
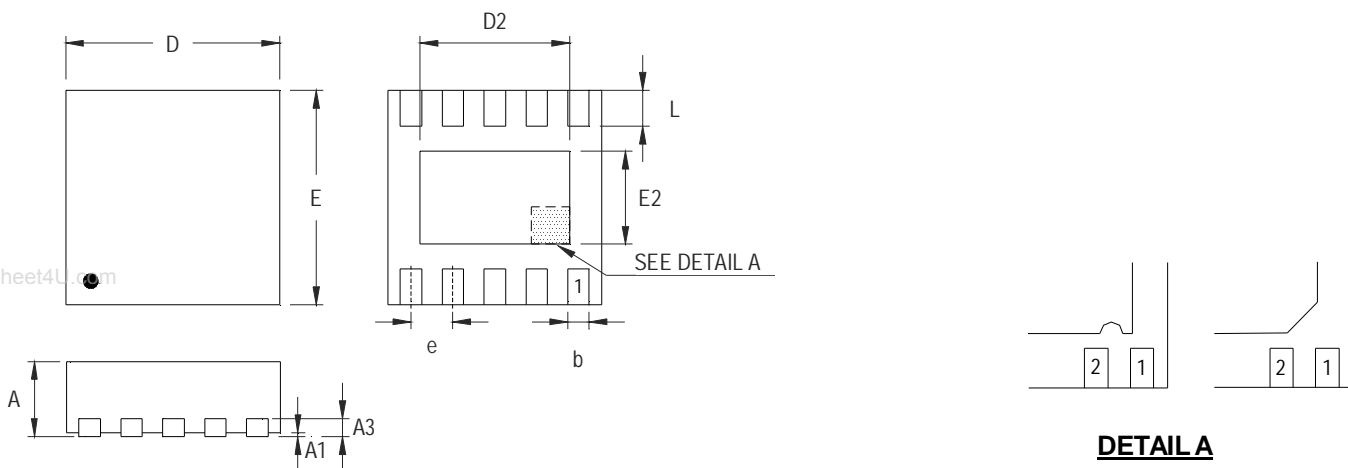


Figure 3. Bottom Layer

**Outline Dimension**



**DETAIL A**

Pin #1 ID and Tie Bar Mark Options

Note : The configuration of the Pin #1 identifier is optional, but must be located within the zone indicated.

Symbol	Dimensions In Millimeters		Dimensions In Inches	
	Min	Max	Min	Max
A	0.800	1.000	0.031	0.039
A1	0.000	0.050	0.000	0.002
A3	0.175	0.250	0.007	0.010
b	0.180	0.300	0.007	0.012
D	2.950	3.050	0.116	0.120
D2	2.300	2.650	0.091	0.104
E	2.950	3.050	0.116	0.120
E2	1.500	1.750	0.059	0.069
e	0.500		0.020	
L	0.350	0.450	0.014	0.018

**V-Type 10L DFN 3x3 Package**

**Richtek Technology Corporation**

Headquarter  
5F, No. 20, Taiyuen Street, Chupei City  
Hsinchu, Taiwan, R.O.C.  
Tel: (8863)5526789 Fax: (8863)5526611

**Richtek Technology Corporation**

Taipei Office (Marketing)  
8F, No. 137, Lane 235, Paochiao Road, Hsintien City  
Taipei County, Taiwan, R.O.C.  
Tel: (8862)89191466 Fax: (8862)89191465  
Email: marketing@richtek.com