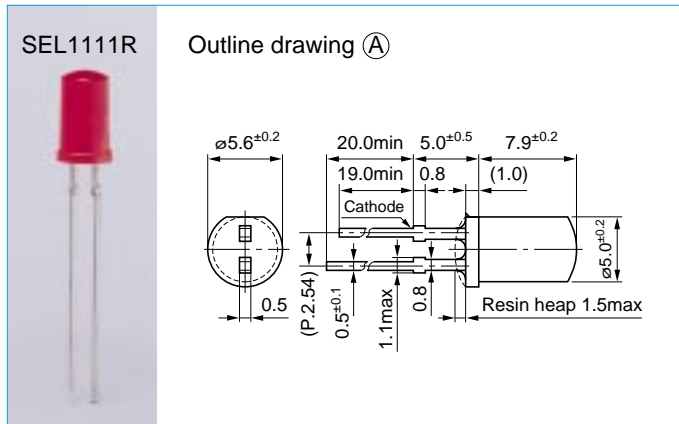
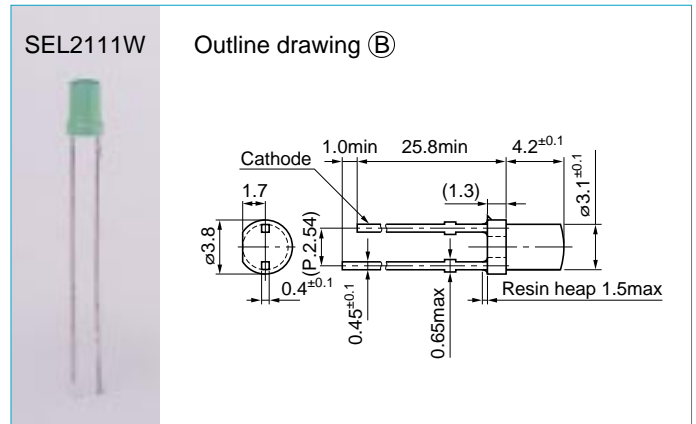


Round-type special configuration LEDs

SEL1011 series



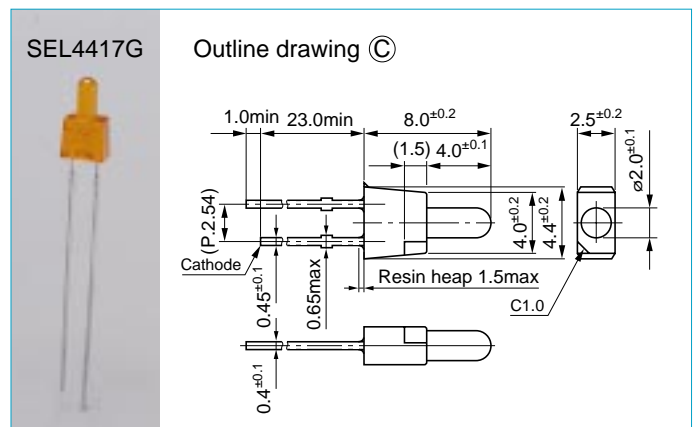
SEL2011 series



Absolute maximum ratings (Ta=25°C)

Symbol	Unit	Ratings
I _F	mA	30
I _{FP}	mA	100
V _R	V	3
Top	°C	-30 to +85
Tstg	°C	-30 to +100

SEL4017 series



External dimensions: Unit: mm Tolerance: ±0.3

Type No.	Display form (ø: mm)	Type of lens	Emitting color	Electro-optical characteristics (Ta=25°C)								Outline drawing		
				V _F (V)		Condition I _F (mA)	I _R (μA)	Condition V _R (V)	I _V (mcd)	λ _p (nm)	Δλ (nm)			
				typ	max		max		typ					
SEL1111R	●5	Red tinted, diffused	Red	2.0	2.5	10	50	3	1.3	10	700	100	Ⓐ	
SEL1411G	●5	Green tinted, diffused	Green						5.0		560	20		
SEL1711Y	●5	Yellow tinted, diffused	Yellow						8.0		570	40		
SEL1811D	●5	Orange tinted, diffused	Amber	1.9	2.5	10	50	3	5.5	10	610	35		
SEL1911D	●5	Orange tinted, diffused	Orange						587		33			
SEL2111R	●3.1	Red tinted, diffused	Red	2.0	2.5	10	50	3	1.2	10	700	100	Ⓑ	
SEL2111W	●3.1	Un-tinted, diffused							3.0		560	20		
SEL2411G	●3.1	Green tinted, diffused							Green		10.0	20		560
SEL4117R	●2	Red tinted, diffused	Red	2.0	2.5	10	50	3	1.0	10	700	100	Ⓒ	
SEL4417G	●2	Green tinted, diffused	Green						9.5		10	570		40
SEL4717Y	●2	Yellow tinted, diffused	Yellow						4.5			610		35
SEL4817D	●2	Orange tinted, diffused	Amber	1.9	2.5	10	50	3	4.5	10	587	33		
SEL4917D	●2	Orange tinted, diffused	Orange						4.5		587	33		