

Part Number: SMT-12



Features

- SMD mounting
- 6.5mm low profile case configuration
- 2400 Hz frequency

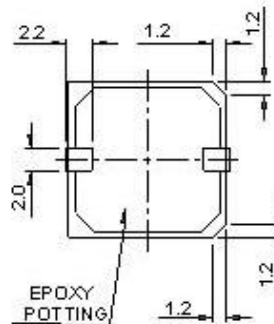
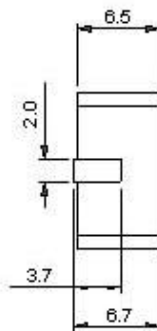
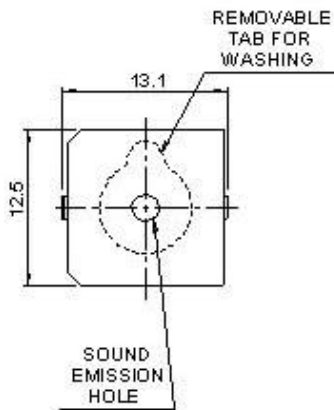
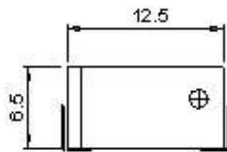
Electrical Specifications

Storage Temperature Range	-30 to +80 Deg C
Operating Temperature Range	-20 to +70 Deg C
Sound Pressure Level @ 10cm (typ.)	90 dBA
Resonant Frequency	2400 Hz
Rated Voltage	5 Vp-p
Operating Voltage	4 to 7 Vp-p
Current Consumption (typ.)	40 mA

Sealed for washing

Compatible with convection, IR & vapor phase

Available in tubes of 40 or reels of 500 pieces



NOTES:

- ALL DIMENSIONS ARE IN MILLIMETERS.
- SPECIFICATION SUBJECT TO CHANGE OR WITHDRAWAL WITHOUT NOTICE.

For application notes and drawing specifications, please consult www.projectsunlimited.com.

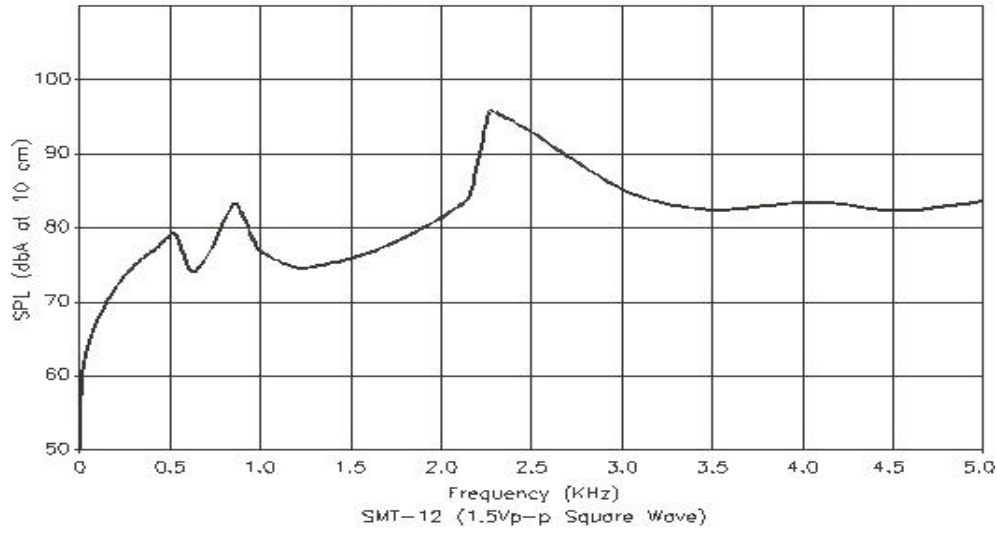
Specifications subject to change without notice.

© 2002, Projects Unlimited Inc., All Rights Reserved.

Part Number: SMT-12

www.DataSheet4U.com

typical SPL vs. Frequency



For application notes and drawing specifications, please consult www.projectsunlimited.com.

Specifications subject to change without notice.

© 2002, Projects Unlimited Inc., All Rights Reserved.

www.DataSheet4U.com