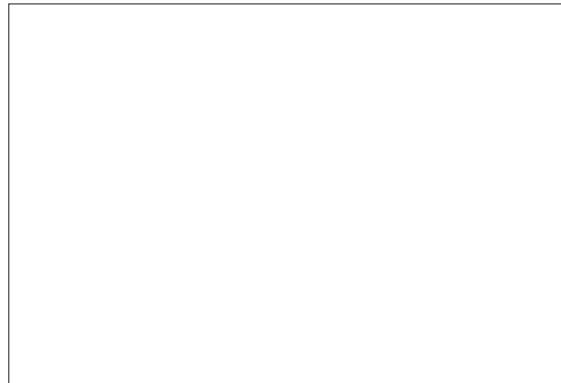


SMT-16

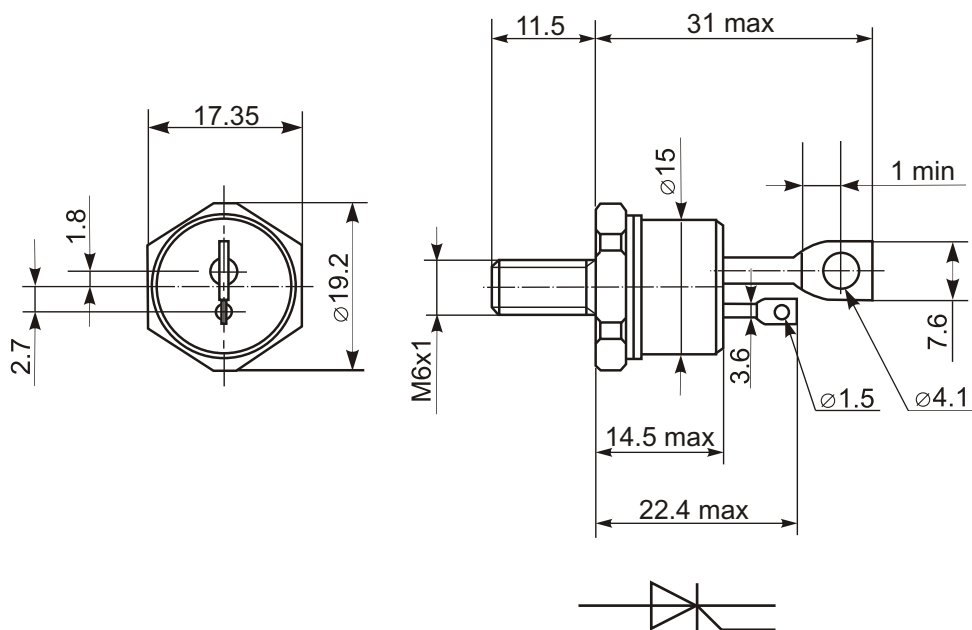


Phase Control Thyristor

www.DataSheet4U.com



Type	V_{RRM}	I_{TAVM} ($T_c = 100^\circ\text{C}$)	I_{TRMS}	I_{TSM}	$(di/dt)_{cr}$	$(dv/dt)_{cr}$	V_{TM}	I_{TM}	V_{GT}	I_{GT}	V_{TO}	r_T	T_{VJM}	R_{thJC}
	V	A	A	A	A/ μs	V/ μs	V	A	V	mA	V	m Ω	$^\circ\text{C}$	K/W
SMT-16	100-1600	16 (85)	35	340	150	300	1.75	79	2.0	80	1.2	15	125	1.15



Features:

- Hermetic metal case with ceramic insulator
- Capacity of supporting high surge current
- International standard case

Typical Applications:

- Controlled DC power supplies
- DC motor controls
- AC switch and thermal control