

**PLEASE CHECK WWW.MOLEX.COM FOR LATEST PART INFORMATION**

**Part Number:** [0011402001](#)  
**Status:** **Active**  
**Description:** Terminator Die

**Documents:**

[RoHS Certificate of Compliance \(PDF\)](#)

**General**

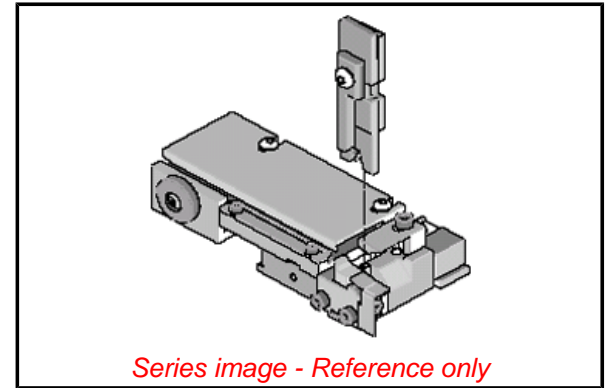
Product Family	Application Tooling
Series	<a href="#">T1801</a>
Function	Crimp
Geographic Area	Global
Level of Automation	Semi-Automatic
More Detailed Tech Information	<a href="mailto:applicationtooling@molex.com">applicationtooling@molex.com</a>
Product Name	N/A
Survey	<a href="http://www.molex.com//review/apptool_survey.html">www.molex.com//review/apptool_survey.html</a>
Tool Type	Terminator Die

**Material Info**

Old Part Number T8300A

**Reference - Drawing Numbers**

Application Tooling Documents	ATS-011402001
Application Tooling Documents	TM-638000029
Application Tooling Documents	TM-638000029SP
Application Tooling Documents	TM-638500090
Application Tooling Documents	TM-638500090SP



**EU RoHS**

**RoHS Compliance**

**Not Required**

**REACH SVHC**

**Not Reviewed**

**Halogen-Free**

**Status**

**Not Reviewed**

**China RoHS**

**Need more information on product environmental compliance?**

Email [productcompliance@molex.com](mailto:productcompliance@molex.com)  
 Please visit the [Contact Us](#) section for any non-product compliance questions.

**Search Parts in this Series**

[T1801 Series](#)

**Use With**

Molex TM-42 press 69002-5001 and base unit 11-19-3001 for the 3BF press

**Application Tooling | FAQ**

Description	Product #
2.36mm (.093") Diameter, Standard .093" Pin and Socket Crimp Terminal, Series 1189, Female, with Tin (Sn) Plated Brass Contact, 14-20 AWG, Reel	<a href="#">0002091102</a>
2.36mm (.093") Diameter, Standard .093" Pin and Socket Crimp Terminal, Series 4550, Female, with Tin (Sn) Plated Phosphor Bronze	<a href="#">0002091205</a>

Contact, 14-20 AWG,  
Reel  
2.36mm (.093") 0002092101  
Diameter,  
Standard .093" Pin  
and Socket Crimp  
Terminal, Series  
1190, Male, with Tin  
(Sn) Plated Brass  
Contact, 14-20 AWG,  
Reel  
2.36mm (.093") 0002092166  
Diameter,  
Standard .093" Pin  
and Socket Crimp  
Terminal, Series  
4549, Male, with  
Tin (Sn) Plated  
Phosphor Bronze  
Contact, 14-20 AWG,  
Reel Packaged  
2.36mm (.093") 0002095100  
Diameter,  
Standard .093" Pin  
and Socket Crimp  
Terminal, Series  
1189, Female, with  
Gold (Au) Plated  
Brass Contact, 14-20  
AWG, Reel  
2.36mm (.093") 0002095102  
Diameter,  
Standard .093" Pin  
and Socket Crimp  
Terminal, Series  
1189, Female, with  
Selective Gold  
(Au) Plated Brass  
Contact, 14-20 AWG,  
Reel  
2.36mm (.093") 0002096100  
Diameter,  
Standard .093" Pin  
and Socket Crimp  
Terminal, Series  
1190, Male, with  
Gold (Au) Plated  
Brass Contact, 14-20  
AWG, Reel  
2.36mm (.093") 0039000281  
Diameter,  
Standard .093" Pin  
and Socket Crimp  
Terminal, Series  
1189, Female,  
with Tin (Sn) over  
Copper Plated Brass  
Contact, 14-20 AWG,  
Reel  
2.36mm (.093") 0039000282  
Diameter,  
Standard .093" Pin  
and Socket Crimp  
Terminal, Series  
1189, Female,

with Tin (Sn) over  
Copper Plated Brass  
Contact, 14-20 AWG,  
Reel, with Dimple  
2.36mm (.093") 0039000296  
Diameter,  
Standard .093"  
Pin and Socket  
Crimp Terminal,  
Series 1190, Male,  
with Tin (Sn) over  
Copper Plated Brass  
Contact, 14-20 AWG,  
Reel  
2.36mm (.093") 0002091209  
Diameter,  
Standard .093" Pin  
and Socket Crimp  
Terminal, Series  
6310, Female, with  
Tin (Sn) Plated  
Phosphor Bronze  
Contact, Low  
Engagement Force,  
14-20 AWG, Reel  
2.36mm (.093") 0002095169  
Diameter,  
Standard .093" Pin  
and Socket Crimp  
Terminal, Series  
4550, Female, with  
Gold (Au) Plated  
Phosphor Bronze  
Contact, 14-20 AWG,  
Reel  
2.36mm (.093") 0002096101  
Diameter,  
Standard .093" Pin  
and Socket Crimp  
Terminal, Series  
1190, Male, with  
Selective Gold  
(Au) Plated Brass  
Contact, 14-20 AWG,  
Reel

This document was generated on 11/04/2009

**PLEASE CHECK [WWW.MOLEX.COM](http://WWW.MOLEX.COM) FOR LATEST PART INFORMATION**