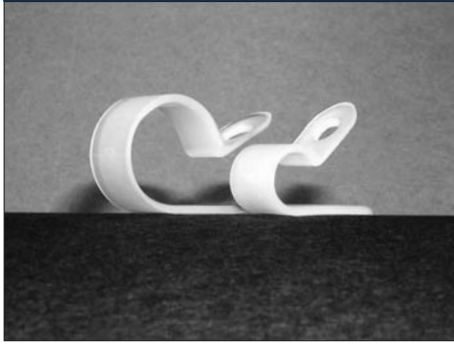


# WIRE ROUTING, CLIPS AND CLAMPS



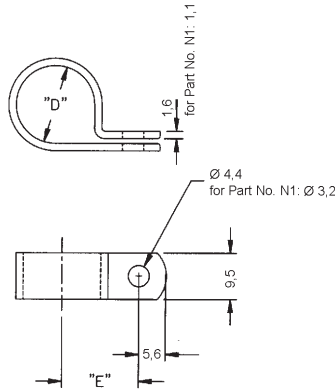
## N

### CABLE CLAMPS

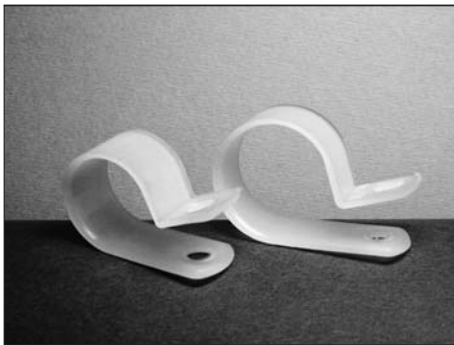
Note:

N	1	01
Part	Size	Material Code

Material: Nylon 6/6 - natural, UL 94 V-2, RMS-01  
or  
Nylon 6/6 - black, RMS-49  
Std. Pk.: 1.000 pcs.

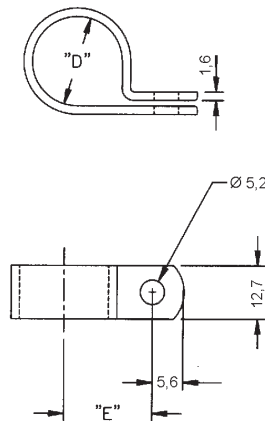


Part No.	"D" $\varnothing$ mm	"E" mm
N-1-01	1.6	6.9
N-2-01	3.2	8.3
N-3-01	4.8	9.9
N-4-01	6.4	10.7
N-5-01	7.9	11.5
N-6-01	9.5	12.3
N-7-01	11.1	12.0
N-8-01	12.7	14.3



## NB

### CABLE CLAMPS



Part No.			"D" $\varnothing$ mm	"E" mm	Std. Pk.
RMS-01	RMS-49	RMS-75			
N-2B	N-2B-BK		3.2	8.3	1.000
N-3B	N-3B-BK	N-3B-75	4.8	9.9	
N-4B	N-4B-BK	N-4B-75	6.4	10.7	
N-5B	N-5B-BK	N-5B-75	7.9	11.5	
N-6B	N-6B-BK	N-6B-75	9.5	12.3	
N-7B	N-7B-BK		11.1	12.0	
N-8B	N-8B-BK	N-8B-75	12.7	14.3	
N-9B	N-9B-BK		14.3	15.1	
N-10B	N-10B-BK	N-10B-75	15.9	15.9	
N-11B	N-11B-BK		17.5	16.7	
N-12B	N-12B-BK		19.1	19.4	500
N-14B	N-14B-BK		22.2	20.6	
N-16B	N-16B-BK		25.4	23.0	
N-18B	N-18B-BK		28.6	24.6	

Note:

N	2B	01
Part	Type	Material Code

Material: Nylon 6/6 - natural, UL 94 V-2, RMS-01  
Nylon 6/6 - black, RMS-49  
Nylon 6/6 - natural UL 94 V-0, RMS-75  
Std. Pk.: see table



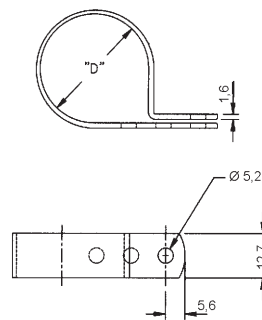
## NB-3

### CABLE CLAMPS

Note:

N	20B	01
Part	Type	Material Code

Material: Nylon 6/6 - natural, UL 94 V-2, RMS-01  
by special order:  
Nylon 6/6 - natural, UL 94 V-0, RMS-19  
Std. Pk.: 500 pcs.



Part No.	"D" mm		
	inside	middle	outside
N-20B-01	25.4	28.6	30.2
N-24B-01	31.8	34.9	38.1
N-32B-01	44.5	47.6	50.8