

**PLEASE CHECK WWW.MOLEX.COM FOR LATEST PART INFORMATION**

**Part Number:** [1200905106](#)  
**Status:** **Active**  
**Overview:** [nanochange 40m841 products](#)  
**Description:** Nano-Change® (M8) Receptacle, M8 x 0.5 Mounting Threads, Straight Female, Male 0.20m (7.87") Length, with 5 Poles on Mating Side

**Documents:**

[Drawing \(PDF\)](#) [RoHS Certificate of Compliance \(PDF\)](#)

**General**

|                |  |
|----------------|--|
| Product Family | Industrial Receptacles                     |
| Series         | <a href="#">120090</a>                     |
| IP Rating      | IP67                                       |
| NEMA Rating    | NEMA 6                                     |
| Overview       | <a href="#">nanochange 40m841 products</a> |
| Product Name   | Nano-Change® (M8)                          |
| Type           | Single Ended (pigtail)                     |

**Physical**

|                               |                     |
|-------------------------------|---------------------|
| Coupling Type                 | Internal Thread     |
| Gender                        | Female              |
| Keyway                        | None                |
| Length                        | 0.20m (7.87")       |
| Material - Component          | Nickel-plated Brass |
| Mounting Thread Size          | M8 x 0.5            |
| Orientation                   | Straight            |
| Panel Mount                   | Back, Front         |
| Poles                         | 5                   |
| Temperature Range - Operating | -25°C to +90°C      |
| Wire Size AWG                 | 24                  |
| Wire/Cable Type               | Leads               |

**Electrical**

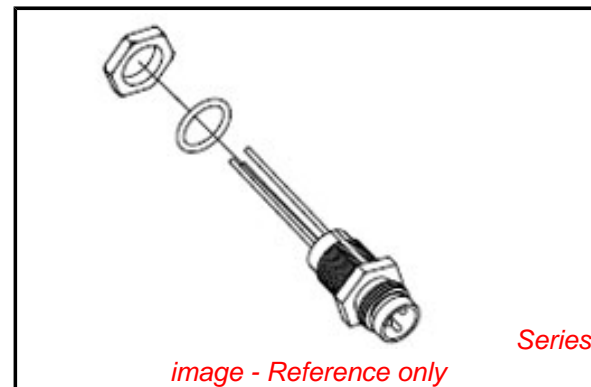
|                               |                 |
|-------------------------------|-----------------|
| Current - Maximum per Contact | 4A              |
| Voltage - Maximum             | 60V AC / 75V DC |

**Material Info**

|                 |               |
|-----------------|---------------|
| Old Part Number | 4R5F30E02C200 |
|-----------------|---------------|

**Reference - Drawing Numbers**

|               |               |
|---------------|---------------|
| Sales Drawing | SD-120090-002 |
|---------------|---------------|



**EU RoHS**

**ELV and RoHS  
Compliant  
REACH SVHC  
Not Reviewed  
Halogen-Free  
Status**

**China RoHS**



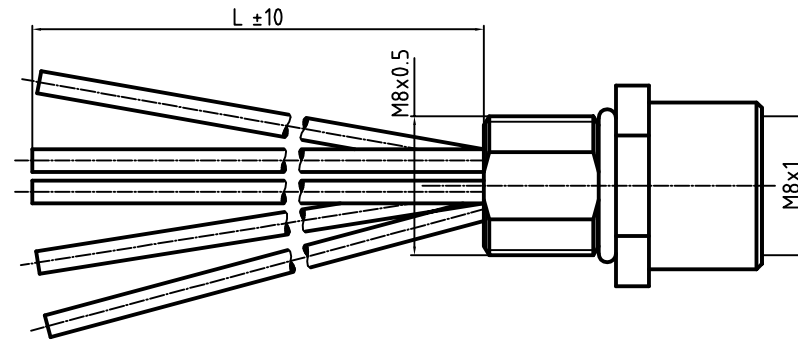
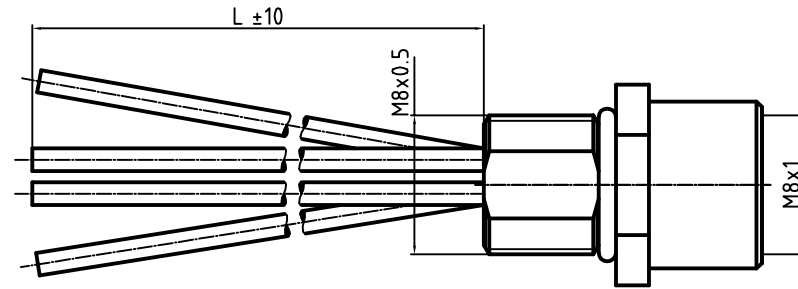
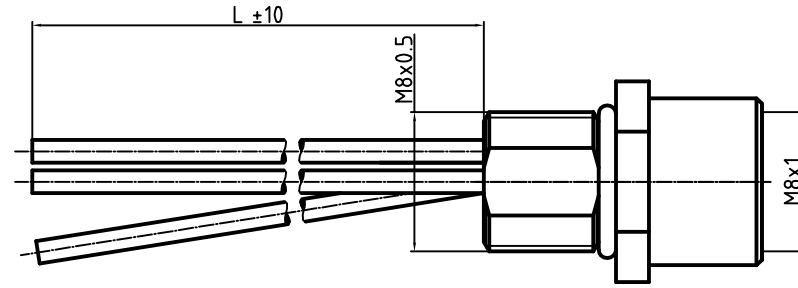
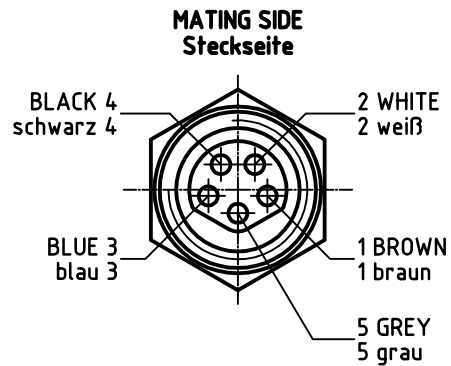
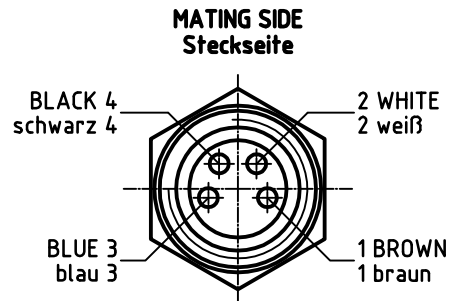
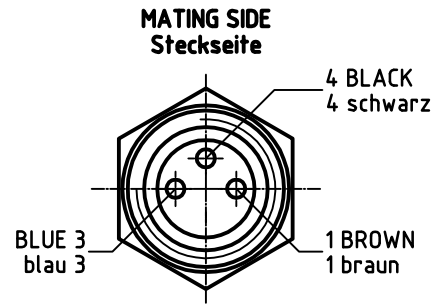
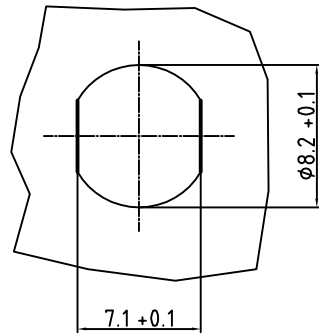
**Need more information on product environmental compliance?**

Email [productcompliance@molex.com](mailto:productcompliance@molex.com)  
 For a multiple part number RoHS Certificate of Compliance, [click here](#)

Please visit the [Contact Us](#) section for any non-product compliance questions.

**Search Parts in this Series**  
[120090Series](#)

MOUNTING HOLE  
Montageausschnitt



NOTES / Bemerkung:

|   |  |                 |
|---|--|-----------------|
| 1 | CRIMP CONTACT<br>Crimp Kontakt                                 | WN-00003        |
| 2 | CABLE LENGTH<br>TOLERANCE<br>Kabellängentoleranz               | WN-00004        |
| 3 | POTTING<br>Verguss   | ES-120000-019   |
| 4 | PACKAGING FOR<br>RECEPTACLE<br>Verpackung für<br>Gerätestecker | PK-120000-018   |
| 5 | PIN-ASSIGNMENT<br>Pin-Belegung                                 | IEC 61076-2-104 |
| 6 | WINDING SPECIFICATION<br>Wickelvorschrift                      | ES-120000-020   |

| SAP-NUMBER<br>SAP-Nummer | OLD MATERIAL-NO.<br>alte Artikel-Nr. | LENGTH<br>Länge | REPLACED<br>Ersatz für |
|--------------------------|--------------------------------------|-----------------|------------------------|
| 1200905071               | 4R3F30E02C200                        | 0.2 M           | 0908 031GF 09000       |
| 1200905102               | 4R3F30E02C500                        | 0.5 M           | 0908 031GF 09003       |
| 1200905076               | 4R4F30E02C200                        | 0.2 M           | 0908 041GF 09000       |
| 1200905106               | 4R5F30E02C200                        | 0.2 M           | 0908 051GF 09000       |

|   |                       |                                  |
|---|-----------------------|----------------------------------|
| DESCRIPTION<br>EC NO.: WEU2009-0457<br>DRWN: BBRAUCH<br>CH'KD: ---<br>APPR: JKOLB | 6/19/09<br>2009/09/15 | QUALITY<br>SYMBOLS<br>= 0<br>= 0 |
|---|-----------------------|----------------------------------|

| GENERAL TOLERANCES<br>(UNLESS SPECIFIED) | DIMENSION STYLE |      |
|--|-----------------|------|
|  | mm              | INCH |
| 4 PLACES                                 | ±---            | ±--- |
| 3 PLACES                                 | ±---            | ±--- |
| 2 PLACES                                 | ±0.05           | ±--- |
| 1 PLACE                                  | ±0.1            | ±--- |
| ANGULAR ± ---- °                         |                 |      |

|                           |  |                    |
|---------------------------|--|--------------------|
| DRAWN BY<br>BB            |  | DATE<br>2009/06/19 |
| CHECKED BY<br>JKO         |  | DATE<br>2009/08/05 |
| APPROVED BY<br>FP         |  | DATE<br>2009/08/05 |
| MATERIAL NO.<br>see table |  |                    |

|   |                        |                           |
|---|------------------------|---------------------------|
| SCALE<br>2:1                                    | DESIGN UNITS<br>METRIC | FIRST ANGLE<br>PROJECTION |
| M8 FEMALE RECEPTACLES-XM<br>M8 GERAETEBUCHSE-XM |                        |                           |
| MOLEX INCORPORATED                              |                        |                           |
| DOCUMENT NO.<br>SD-120090-002                   | SHEET NO.<br>1 OF 1    |                           |

DRAFT WHERE APPLICABLE  
MUST REMAIN  
WITHIN DIMENSIONS

THIS DRAWING CONTAINS INFORMATION THAT IS PROPRIETARY TO MOLEX  
INCORPORATED AND SHOULD NOT BE USED WITHOUT WRITTEN PERMISSION